

ELEMENT WRECKER PARTS MANUAL



1080 Hykes Road
Greencastle, PA 17225
Phone (717) 597-7111
www.jerr-dan.com

5-376-000117
Rev 0 - July 01, 2008

© 2008 Jerr-Dan Corporation. All Rights Reserved.



This manual covers the following Jerr-Dan Model:

MPL Wrecker

Jerr-Dan Corporation strives to provide information that is accurate, complete and useful. Descriptions and illustrative material contained within this manual are as accurate as known at the time of publication and are subject to change, without notice, as a result of continuous product improvements. Jerr-Dan reserves the right to amend the information in this document at any time without prior notice.

Information contained in this manual reflects how this vehicle was built at the factory. Modifications or additions by the distributor or owner are not reflected in this manual.

This parts manual does not include service parts information for the commercial chassis (IHC, Ford, GM, etc.). This parts information is provided by the chassis manufacturer.

When ordering parts, please refer to your unit's Sales Order Number, Serial Number and Model Number. This information can be found on the aluminum tag riveted to the inside of the driver's side toolbox of the main body.



Additional or replacement manuals can be ordered by calling Jerr-Dan Parts at 717-597-7111. Price and availability will be quoted at time of the request.

Please report comments and/or errors by contacting Jerr-Dan Corporation's Technical Publications Department by e-mail at technicalpublications@jerr-dan.com or by FAX on 717-593-2362.

Manufactured under one or more of the following patents: 5,575,606; 5,722,810; 5,782,596; 5,839,775 and 6,315,515 B1 with other Patents Pending.

Jerr-Dan and the Jerr-Dan logo are registered trademarks of Jerr-Dan Corporation, Greencastle, PA USA.

The material in this document is confidential and the property of Jerr-Dan Corporation. No part of this document may be photocopied, reproduced or translated to another language without the express written consent of Jerr-Dan Corporation.

INDEX

DESCRIPTION	PAGE
Body - Complete	4 - 5
Left Hand Body Assembly	6 - 7
Right Hand Body Assembly	8 - 9
Subframe	10 - 11
Hydraulic Reservoir	12 - 13
Worm Gear Winch & Cable Guide	14 - 15
Worm Gear Winch - Cable Tensioner	16 - 17
Mud Flap	18 - 19
Fender Flares	20 - 21
Light Pylon - Deck Mounted	22 - 23
Light Pylon - Toolbox Mounted	24 - 25
Wrecker Boom	26 - 27
Underlift Boom - Hydraulic Grid	28 - 29
Hydraulic Wheel Lift Grid	30 - 34
Underlift Level Stop	36 - 37
Wired Remote Control	38 - 39
Electrical Components - Body - Standard	40 - 41
Electrical Components - Pylon Lights / Tunnel Wiring	42 - 43
Marker and Work Lights	44 - 45
Wireless Remote Control	46 - 47
Hydraulic Components - SPR / Hose Rolling (Ford)	48 - 51
Hydraulic Components - SPR / Hose Rolling (Dodge)	52 - 55
Hydraulic Components - HLF	56 - 57
Hydraulic Components - Hydraulic Wheel Lift Grid	58 - 59
Lightbar - Single / Dual	60 - 61
Switch Panels	62 - 63
Chain and Straps	64 - 65
Decals	66 - 67
Wrecker Boom Tilt Cylinder Assembly	68 - 69
Underlift Boom Tilt Cylinder Assembly	70 - 71
Tunnel Toolbox	72 - 73
Bolt-On D-Rings	74 - 75
Jump Start Kit	76 - 77
Fold Down Lightbar Bracket	78 - 79
Ball Hitch Mounting Bracket	80 - 81
Self-Loading Dolly	82 - 83
Motorcycle Adapter	84 - 85
Wheel Chocks	86 - 87
Tow Sling	88 - 91
Recovery Sheave	92 - 93
L-Arm Spacer Storage	94 - 95
Fuel Filler	96 - 97
Ford Diesel 08 Exhaust Alteration	98 - 99
Accessory Equipment	100 - 101

EASTERN WRECKER SALES INC
 www.easternwrecker.com
 919-553-4038

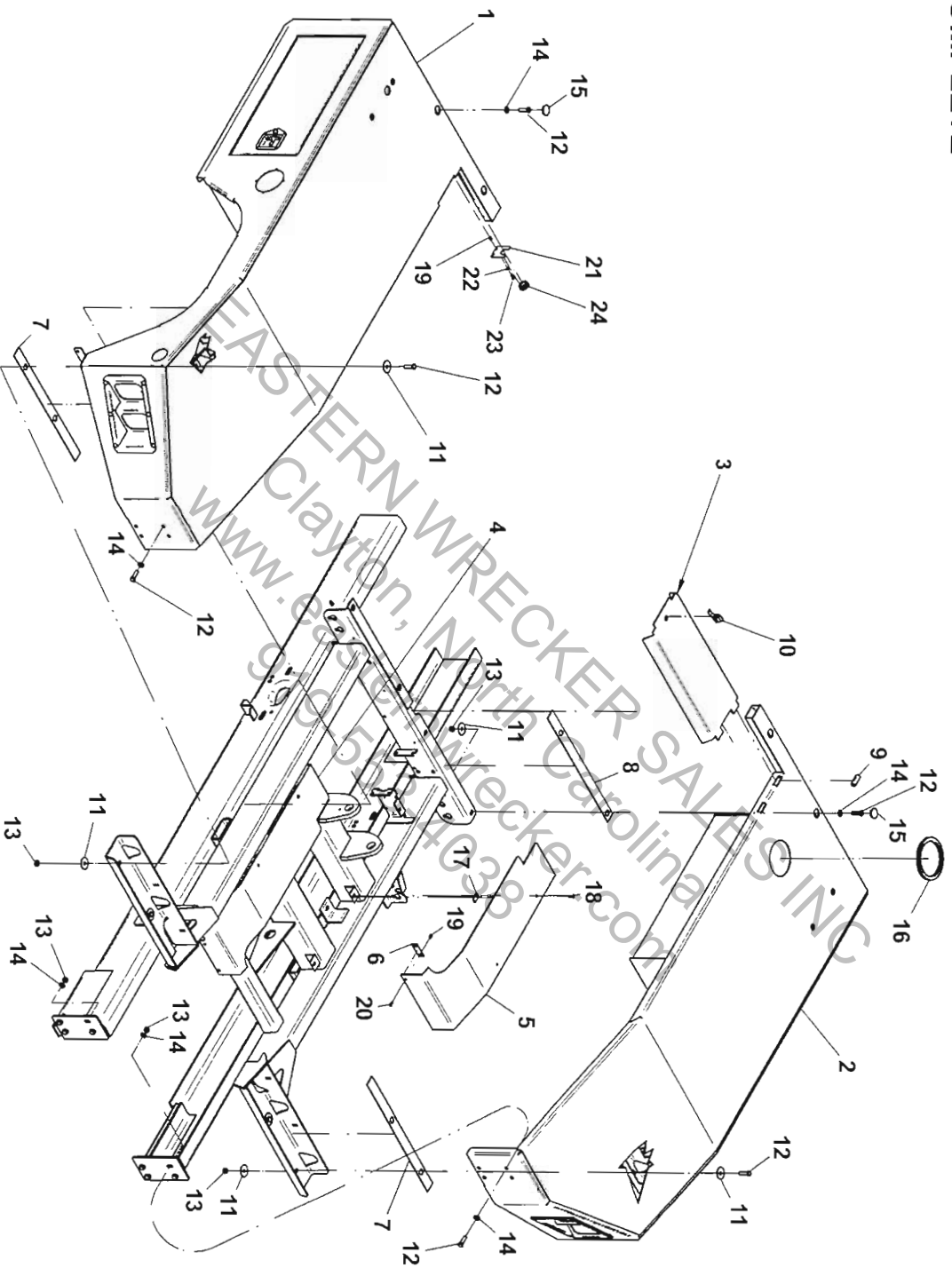


BODY - COMPLETE

ITEM	PART NO.	DESCRIPTION	QTY
1	3097000643	Body Assembly LH	1
2	3097000644	Body Assembly RH	1
3	4707000343	Coverplate, Front	1
4	4707000344	Coverplate, LH	1
5	4707000345	Coverplate, RH	1
6	4062000695	Bar	1
7	4090000010	Belt	2
8	4090000011	Belt	2
9	4632000058	Moulding	4
10	4090000011	Latch	1
11	7949000015	Washer	12
12	7115181450	Cap screw, 0.50"-13NC x 1.75"	16
13	7660182601	Lockwasher, 0.50"-13NC	16
14	7950180153	Flatwasher, 0.50" ID	20
15	7701000063	Plug	4
16	8632000002	Edge Trim	1.5 ft
17	7661000029	J-Nut	4
18	7114150818	Cap screw, 0.31"-18NC x 1.00"	4
19	7413000002	Nutsert, 0.25"-20NC	4
20	7114140618	Cap screw, 0.25"-20NC x 0.75"	4
21	4811001177	Coverplate	2
22	7950140000	Lockwasher, 0.25" ID	2
23	7115140650	Cap screw, 0.25"-20NC x 0.75"	2
24	7493000003	Rubber Grommet	1

EASTERN WRECKER SALES INC
 Clayton, North Carolina
 www.easternwrecker.com
 919-553-4038

BODY - COMPLETE



LEFT HAND BODY ASSEMBLY

ITEM	PART NO.	DESCRIPTION	QTY
1	3097000637	Deck Weld LH	1
2	3686000054	Door	1
3	7118160516	Capcrew, 0.38"-16NC x 0.62"	2
4	7660162301	Locknut, 0.38"-16NC	2
5	7585000012	Latch	1
6	7796000084	Gasket	1
7	7114080418	Capcrew, #8-32NC x 0.50"	4
8	7660082500	Locknut, #8-32NC	4
9	4632000050	Seal, Toolbox Door	1
10	7571000002	Taillight Housing	1
11	7413000013	Fastener	6
12	4178000746	Bracket	1
13	7115160850	Capcrew, 0.38"-16NC x 1.00"	3
14	7660162601	Locknut, 0.38"-16NC	3
15	7950160161	Flatwasher, 0.38" ID	6
16	46790000252	Mat	1

EASTERN WRECKER SALES INC
 Clayton, North Carolina
www.easternwrecker.com
 919-553-4038

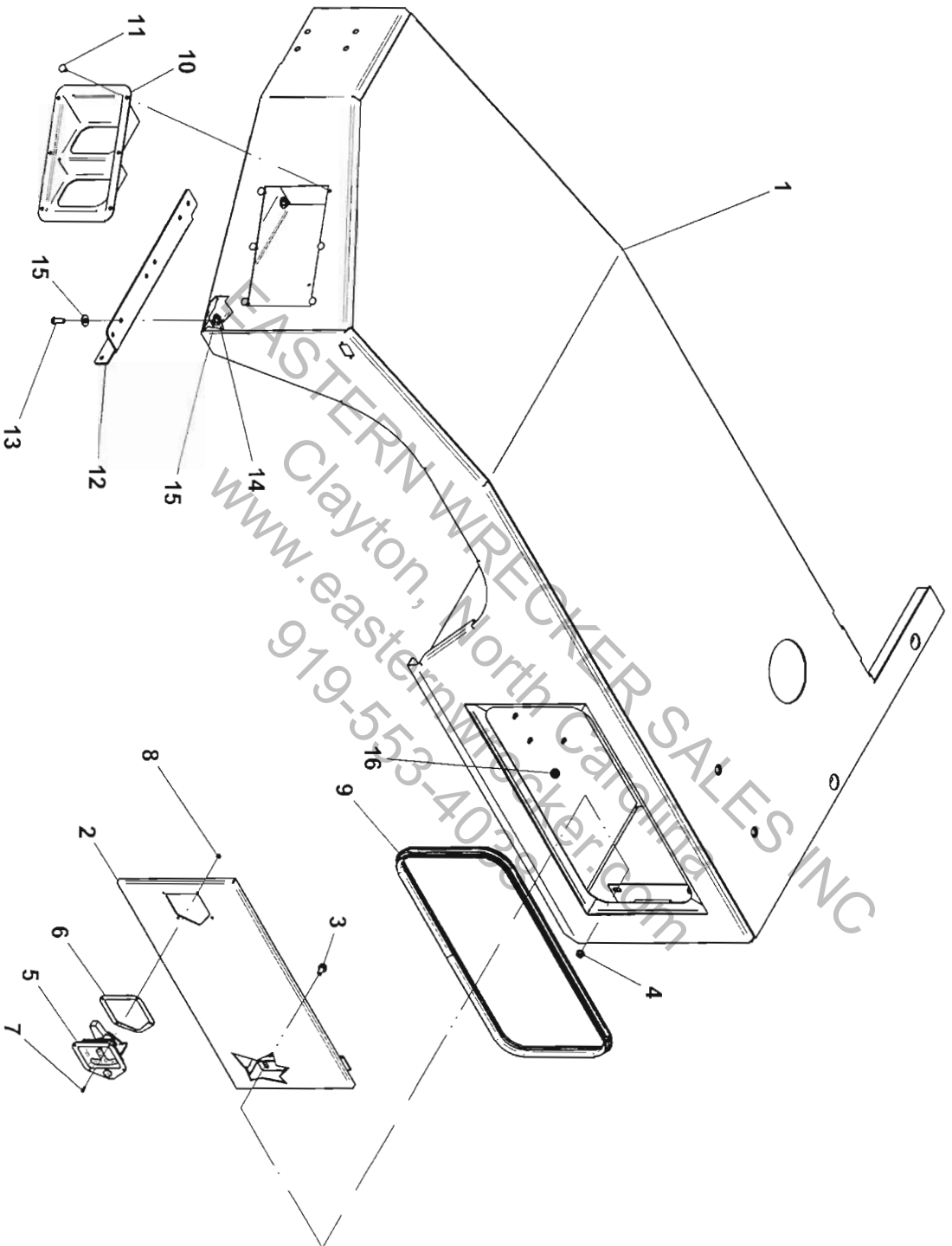


RIGHT HAND BODY ASSEMBLY

ITEM	PART NO.	DESCRIPTION	QTY
1	3097000638	Deck Weld LH	1
2	3686000054	Door	1
3	7118160516	Capscrew, 0.38"-16NC x 0.62"	2
4	7660162301	Locknut, 0.38"-16NC	2
5	7585000012	Latch	1
6	7796000084	Gasket	1
7	7114080418	Capscrew, #8-32NC x 0.50"	4
8	7660082500	Locknut, #8-32NC	4
9	4632000050	Seal, Toolbox Door	1
10	7571000002	Tailight Housing	1
11	7413000013	Fastener	6
12	4178000745	Bracket	1
13	7115160850	Capscrew, 0.38"-16NC x 1.00"	3
14	7660162601	Locknut, 0.38"-16NC	3
15	7950160161	Flatwasher, 0.38" ID	6
16	4679000252	Mat	1

EASTERN WRECKER SALES INC
Clayton, North Carolina
www.easternwrecker.com
919-553-4038

RIGHT HAND BODY ASSEMBLY

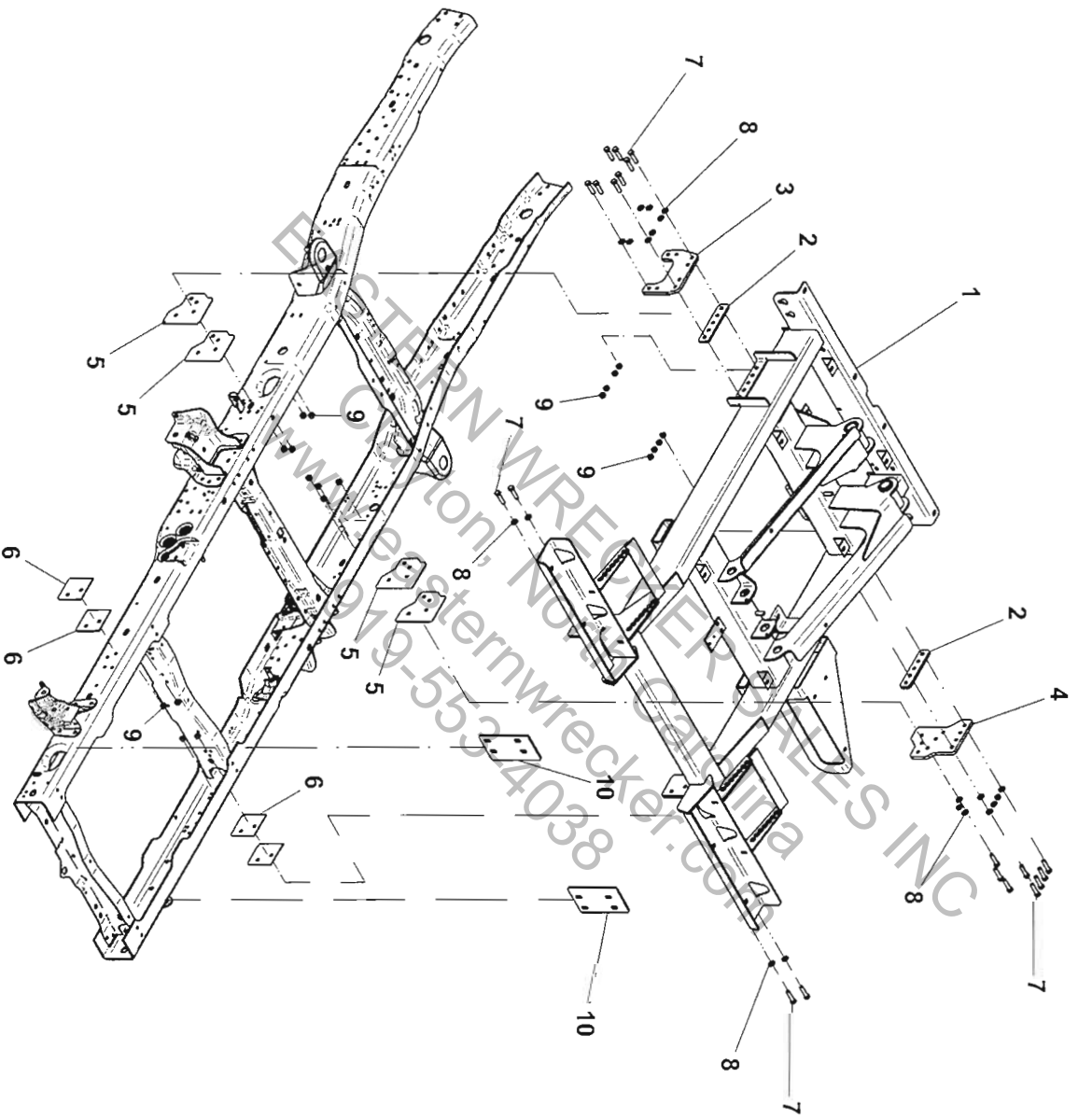


SUBFRAME

ITEM	PART NO.	DESCRIPTION	QTY	ITEM	PART NO.	DESCRIPTION	QTY
1	3868000288	Ford F-Series Subframe Weld	1	1	3868000288	Dodge (60" CA) Subframe Weld	1
2	Not Required	Plate	1	2	Not Required	Plate	1
3	4706005896	Plate	1	3	4706005897	Plate	1
4	4706005897	Plate	1	4	4706005897	Plate	1
5	Not Required	Plate	2	5	4706005634	Plate	4
6	Not Required	Plate	20	6	4706005633	Plate	4
7	7115181650	Cap screw, 0.50"-13NC x 2.00"	20	7	7115181650	Cap screw, 0.50"-13NC x 2.00"	20
8	7950180153	Flatwasher, 0.50" ID	20	8	7950180153	Flatwasher, 0.50" ID	20
9	7660182601	Locknut, 0.50"-13NC	20	9	7660182601	Locknut, 0.50"-13NC	20
10	4706004919	Plate	2	10	4706004919	Plate	2
Ford F-Series with 19,000 lb GVWR							
1	3868000288	Subframe Weld	1	1	3868000288	Dodge (84" CA) Subframe Weld	1
2	4706005898	Plate	2	2	Not Required	Subframe Weld	1
3	4706005896	Plate	1	3	4706005897	Plate	1
4	4706005897	Plate	1	4	4706005897	Plate	1
5	Not Required	Plate	2	5	Not Required	Plate	1
6	Not Required	Plate	20	6	4706005633	Plate	4
7	7115181650	Cap screw, 0.50"-13NC x 2.00"	20	7	7115181650	Cap screw, 0.50"-13NC x 2.00"	20
8	7950180153	Flatwasher, 0.50" ID	20	8	7950180153	Flatwasher, 0.50" ID	20
9	7660182601	Locknut, 0.50"-13NC	20	9	7660182601	Locknut, 0.50"-13NC	20
10	4706004919	Plate	2	10	4706004919	Plate	2
GM C3500 / 4500							
1	3868000288	Subframe Weld	1	1	3868000288	Subframe Weld	1
2	Not Required	Plate	1	2	Not Required	Plate	1
3	4706005897	Plate	1	3	4706005897	Plate	1
4	4706005897	Plate	1	4	4706005897	Plate	1
5	4706005634	Plate	2	5	4706005634	Plate	2
6	4706005633	Plate	2	6	4706005633	Plate	2
7	7115181650	Cap screw, 0.50"-13NC x 2.00"	20	7	7115181650	Cap screw, 0.50"-13NC x 2.00"	20
8	7950180153	Flatwasher, 0.50" ID	20	8	7950180153	Flatwasher, 0.50" ID	20
9	7660182601	Locknut, 0.50"-13NC	20	9	7660182601	Locknut, 0.50"-13NC	20
10	4706004919	Plate	2	10	4706004919	Plate	2

EASTERN WRECKER
Clayton, North Carolina
www.easternwrecker.com
919-551-5888

SUBFRAME



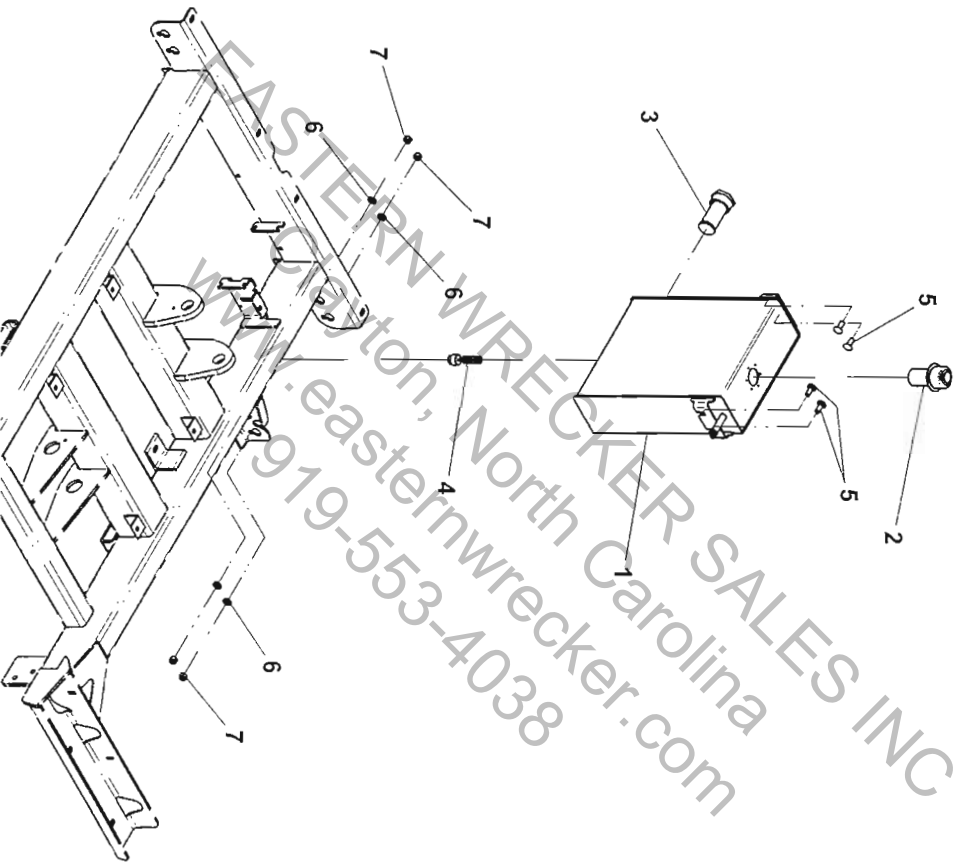
HYDRAULIC RESERVOIR

ITEM	PART NO.	DESCRIPTION	QTY
1	3750000061	Reservoir Assembly	1
2	7183000008*	Filler Cap	1
3	7430000010*	Tank Filter	1
4	7701000026*	Magnetic Plug	1
5	7115181064	Carriage Bolt, 0.50"-13NC x 1.25"	4
6	7950180153	Flatwasher, 0.50" ID	4
7	7660182601	Locknut, 0.50"-13NC	4

EASTERN WRECKER SALES INC
 Clayton, North Carolina
www.easternwrecker.com
 919-553-4038

* also available in Reservoir Assembly, P/N 3750000061

HYDRAULIC RESERVOIR



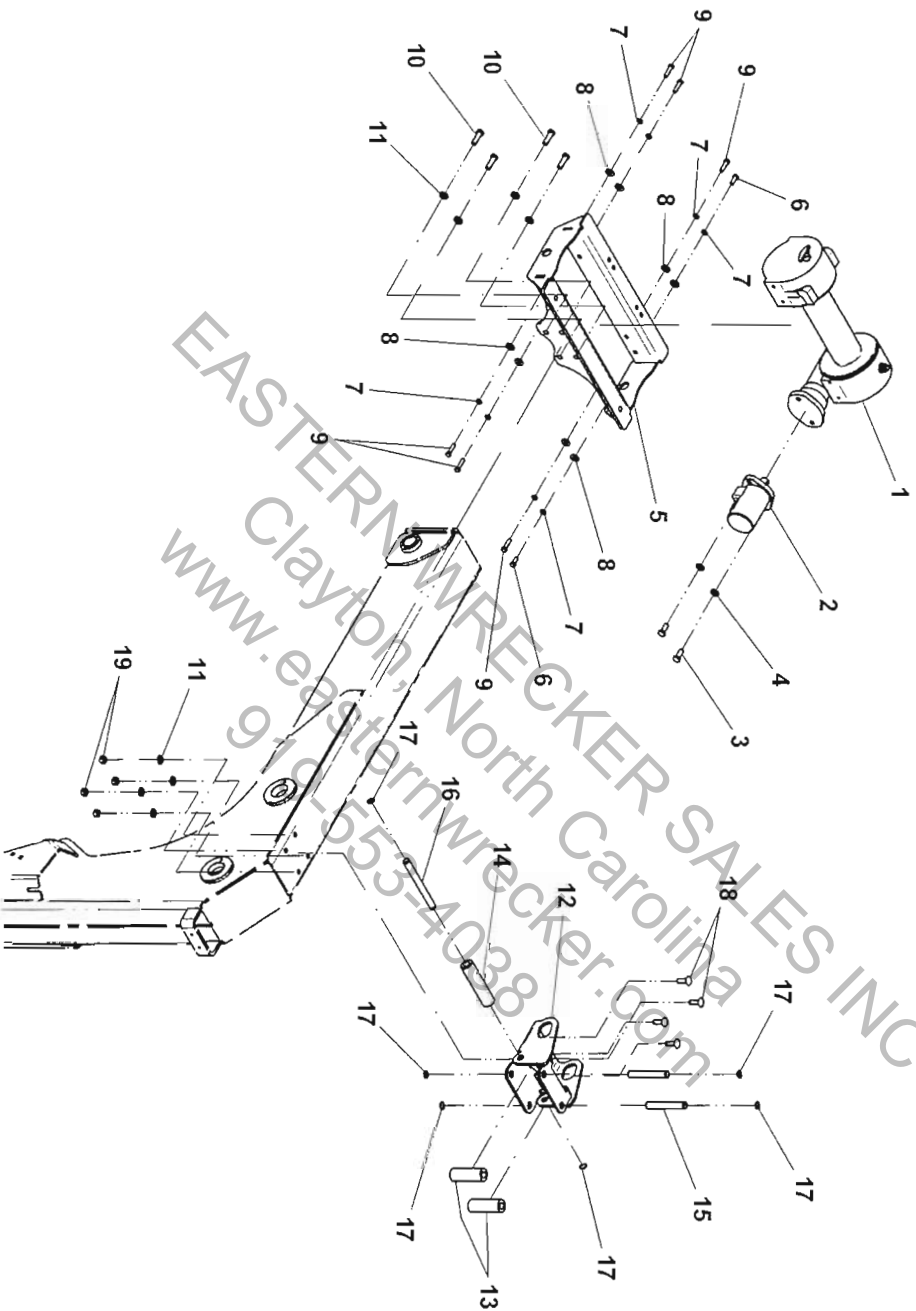
WORM GEAR WINCH & CABLE GUIDE

ITEM	PART NO.	DESCRIPTION	QTY
1	7970000150+	Winch - 8,000 lb Worm Gear	1
2	7626000014	Orbit Motor	1
3	7115181250	Cap screw, 0.50"-13NC x 1.50"	2
4	7950180400	Lockwasher, 0.50" ID	2
5	3178000508	Bracket Weld	1
6	7115160850	Cap screw, 0.38"-16NC x 1.00"	2
7	7950160000	Lockwasher, 0.38" ID	2
8	7950160162	Flatwasher, 0.38" ID	8
9	7115161250	Cap screw, 0.38"-16NC x 1.50"	6
10	7115181450	Cap screw, 0.50"-13NC x 1.75"	4
11	7950180153	Flatwasher, 0.50" ID	8
12	3178000511*	Bracket Weld	1
13	4912000325*	Tube	2
14	4912000423*	Tube	1
15	4691000568*	Pin	2
16	4691000567*	Pin	1
17	7754000022*	Retaining Ring	6
18	7115181264	Carriage Bolt, 0.50"-13NC x 1.50"	4
19	7660182601	Locknut, 0.50"-13NC	4
20	7248000092	Winch cable, 0.38 dia x 75'	1

+ Refer to manufacturer's manual for winch parts list.
 * also available in Cable Guide Assembly, P/N 3249000039

EASTERN WRECKER SALES INC
 Clayton, North Carolina
 www.easternwrecker.com
 919-553-4038

WORM GEAR WINCH & CABLE GUIDE



Item #20, Winch Cable, not shown
Standard Cable Guide, shown

For Tow Sling Cable Guide parts, refer to Tow Sling page
For Recovery Sheave Cable Guide parts, refer to Recovery Sheave page

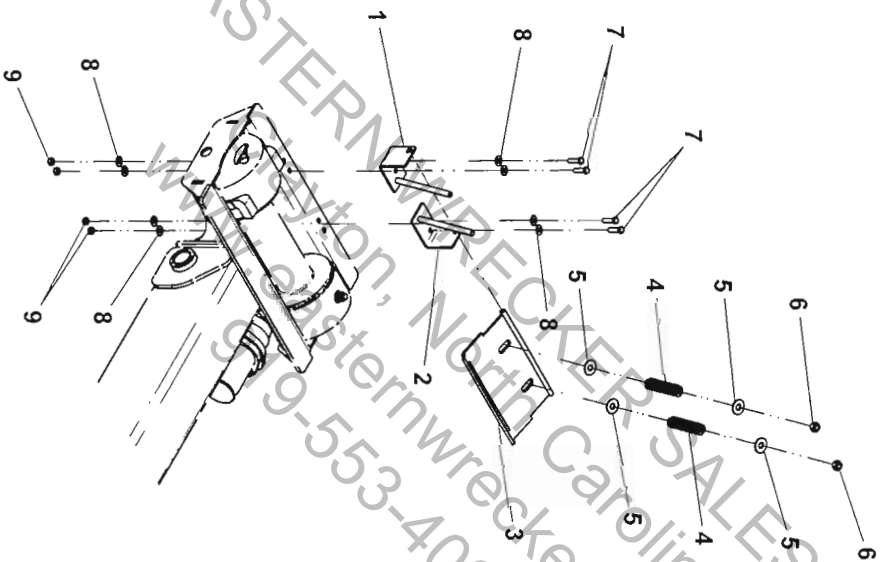


WORM GEAR WINCH - CABLE TENSIONER

ITEM	PART NO.	DESCRIPTION	QTY
1	3017000003	Angle Weld LH	1
2	3017000002	Angle Weld RH	1
3	3706000099	Pressure Plate Weld	1
4	7843000004	Spring	2
5	7950180161	Flatwasher, 0.50" ID	4
6	7660182600	Locknut, 0.50"-13NC	2
7	7115161050	Capscrew, 0.38"-16NC x 1.25"	4
8	7950150161	Flatwasher, 0.31" ID	8
9	7660162601	Locknut, 0.38"-16NC	4

EASTERN WRECKER SALES INC
 Clayton, North Carolina
www.easternwrecker.com
 919-553-4038

WORM GEAR WINCH - CABLE TENSIONER

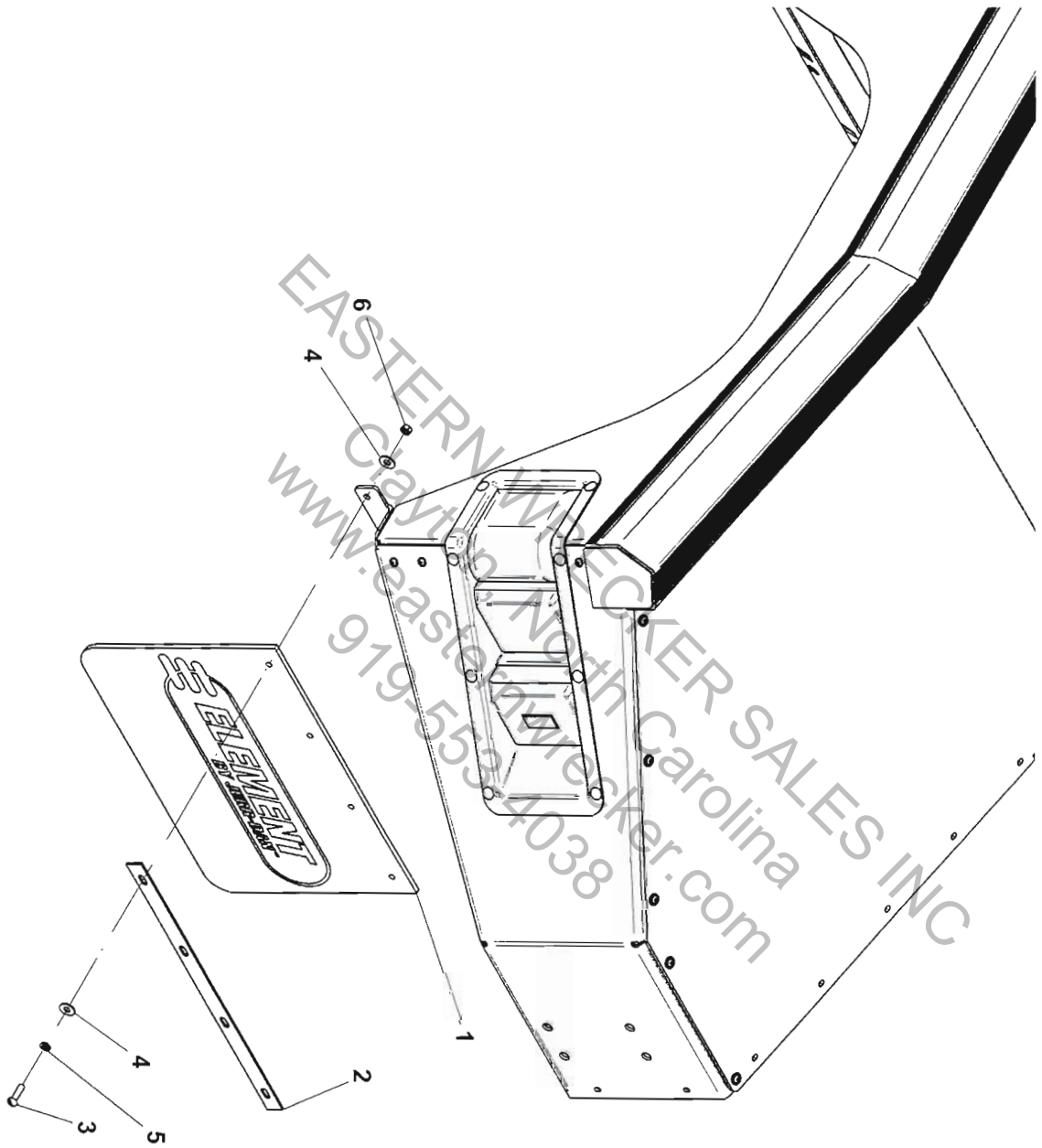


MUD FLAP

ITEM	PART NO.	DESCRIPTION	QTY
1	7638000017	Mud Flap - 19" long	2
2	4706001123	Plate	2
3	7111151010	Capscrew, 0.31"-18NC x 1.25"	8
4	7950150161	Flatwasher, 0.31" ID	16
5	7950150000	Lockwasher, 0.31" ID	8
6	7660150000	Hex Nut, 0.31"-18NC	8

EASTERN WRECKER SALES INC
 Clayton, North Carolina
www.easternwrecker.com
 919-553-4038

MUD FLAP



EASTERN WRECKER SALES INC
www.easternwrecker.com
919-553-4038
Clayton North Carolina



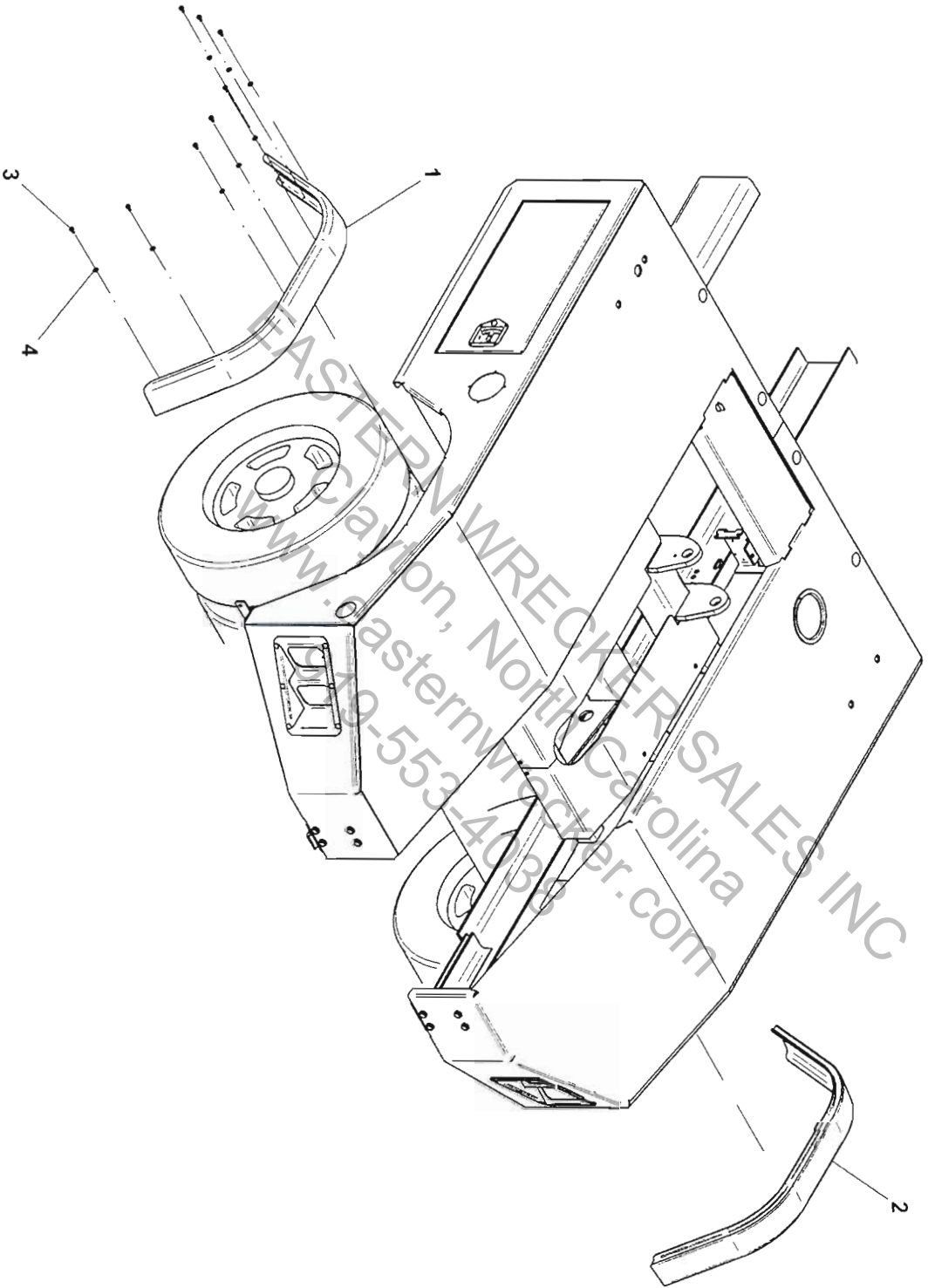


FENDER FLARES

ITEM	PART NO.	DESCRIPTION	QTY
1	7415000017	Fender Flare - Driver Side	1
2	7415000018	Fender Flare - Passenger Side	1
2	7790141056	Screw, 0.25"-20NC x 0.62"	16
3	7950140141	Flatwasher, 0.25" ID	16

EASTERN WRECKER SALES INC
Clayton, North Carolina
www.easternwrecker.com
919-553-4038

FENDER FLARES



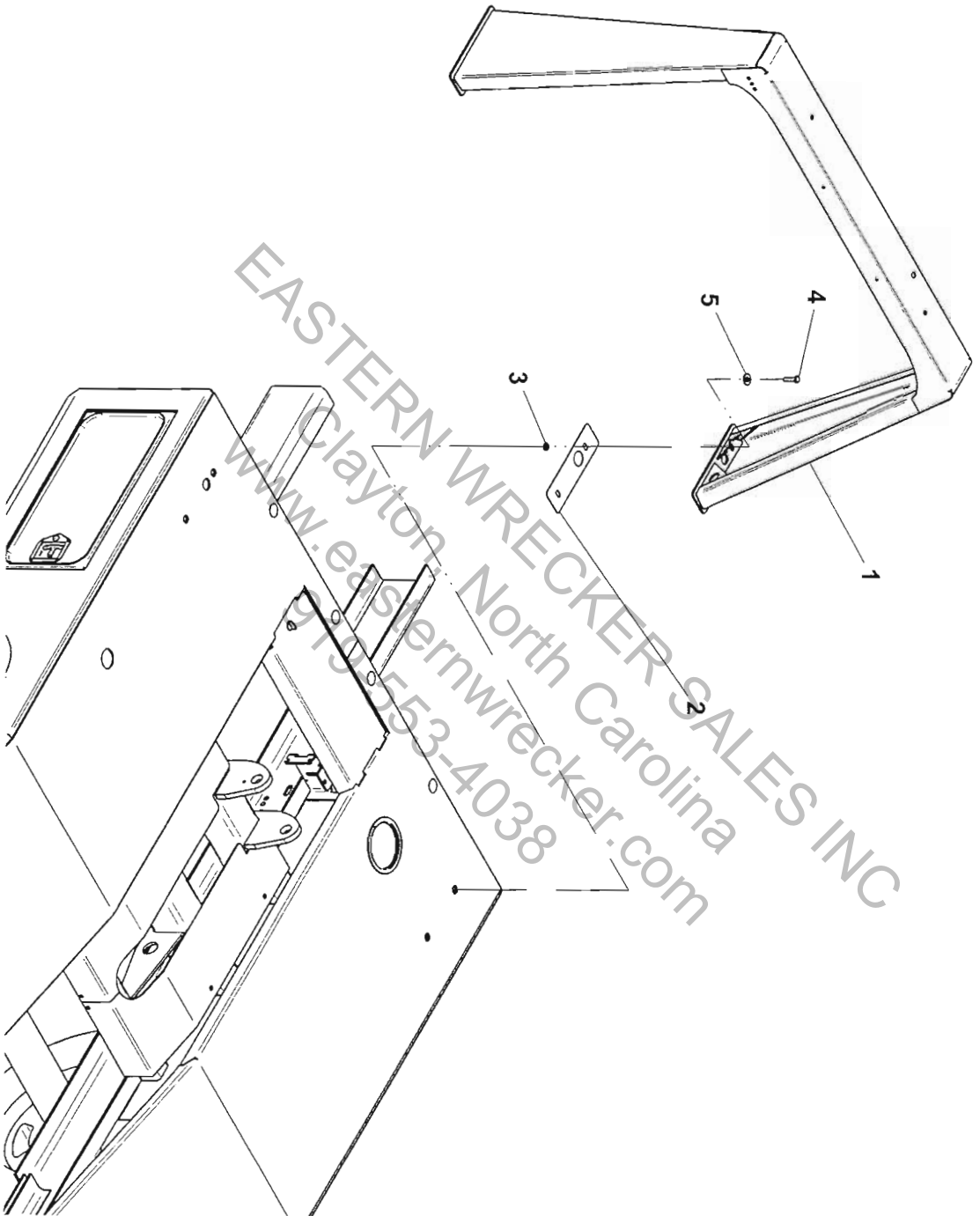


LIGHT PYLON - DECK MOUNTED

ITEM	PART NO.	DESCRIPTION	QTY
1	3509570121	Light Pylon Weld - 37"	1
	3509570127	Light Pylon Weld - 34"	
2	7796000091	Gasket	2
3	7949000058	Washer, 0.53" ID	4
4	7115181450	Capcrew, 0.50"-1.3NC x 1.75"	4
5	7950180161	Flatwasher, 0.50" ID	4

EASTERN WRECKER SALES INC
Clayton, North Carolina
www.easternwrecker.com
919-553-4038

LIGHT PYLON - DECK MOUNTED



EASTERN WRECKER SALES INC
Clayton WRECKER SALES INC
www.easternwrecker.com
919-553-4038

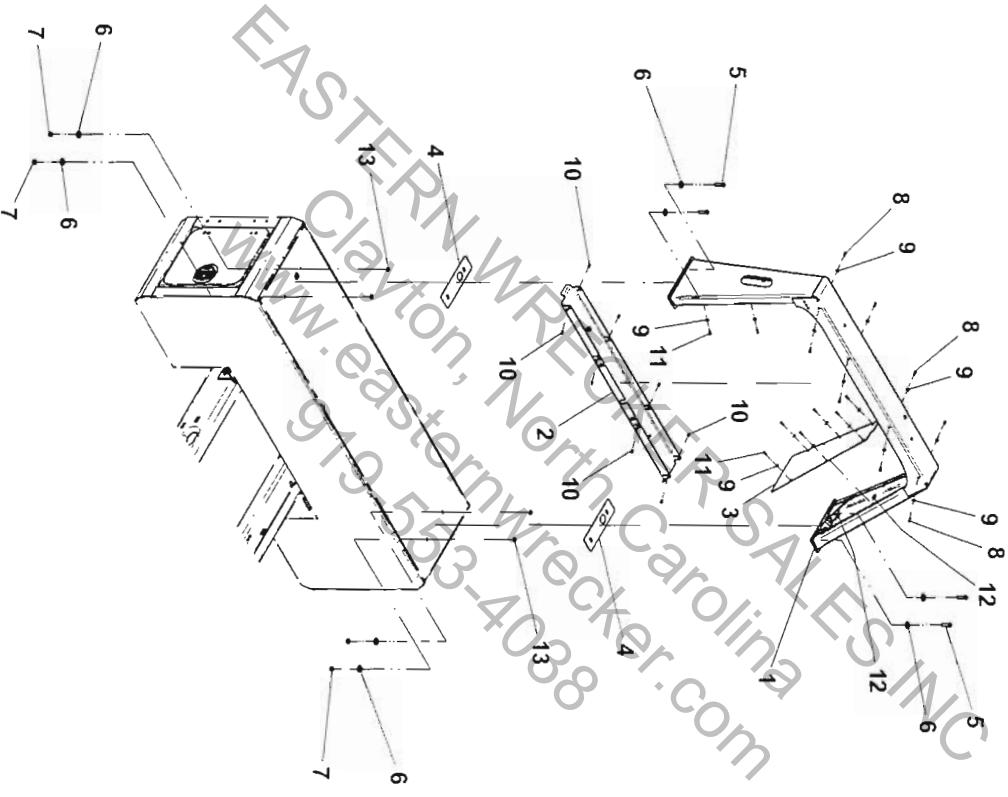


LIGHT PYLON - TOOLBOX MOUNTED

ITEM	PART NO.	DESCRIPTION	QTY
1	3509570106	Light Pylon Weld - 28"	1
	3509570111	Light Pylon Weld - 41.50"	
2	4263000689	Channel	1
3	4314000102	Cover (28" Pylon)	2
	4314000103	Cover (41.50" Pylon)	
4	7796000091	Gasket	2
5	7115181650	Cap screw, 0.50" -13NC x 2.00"	4
6	7950180161	Flatwasher, 0.50" ID	4
7	7660182601	Locknut, 0.50" -13NC	4
8	7114140818	Cap screw, 0.25" -20NC x 1.00"	8
9	7950140143	Flatwasher, 0.25" ID	20
10	7413000002	Nutset, 0.25" -20NC	8
11	7114140618	Cap screw, 0.25" -20NC x .75"	12
12	7661000019	U-Nut, 0.25" -20NC	12
13	7949000058	Washer, 0.53" ID	4

EASTERN WRECKER SALES INC
Clayton, North Carolina
www.easternwrecker.com
919-553-4038

LIGHT PYLON - TOOLBOX MOUNTED



EASTERN WRECKER SALES INC
Clayton, North Carolina
www.easternwrecker.com
919-553-4088



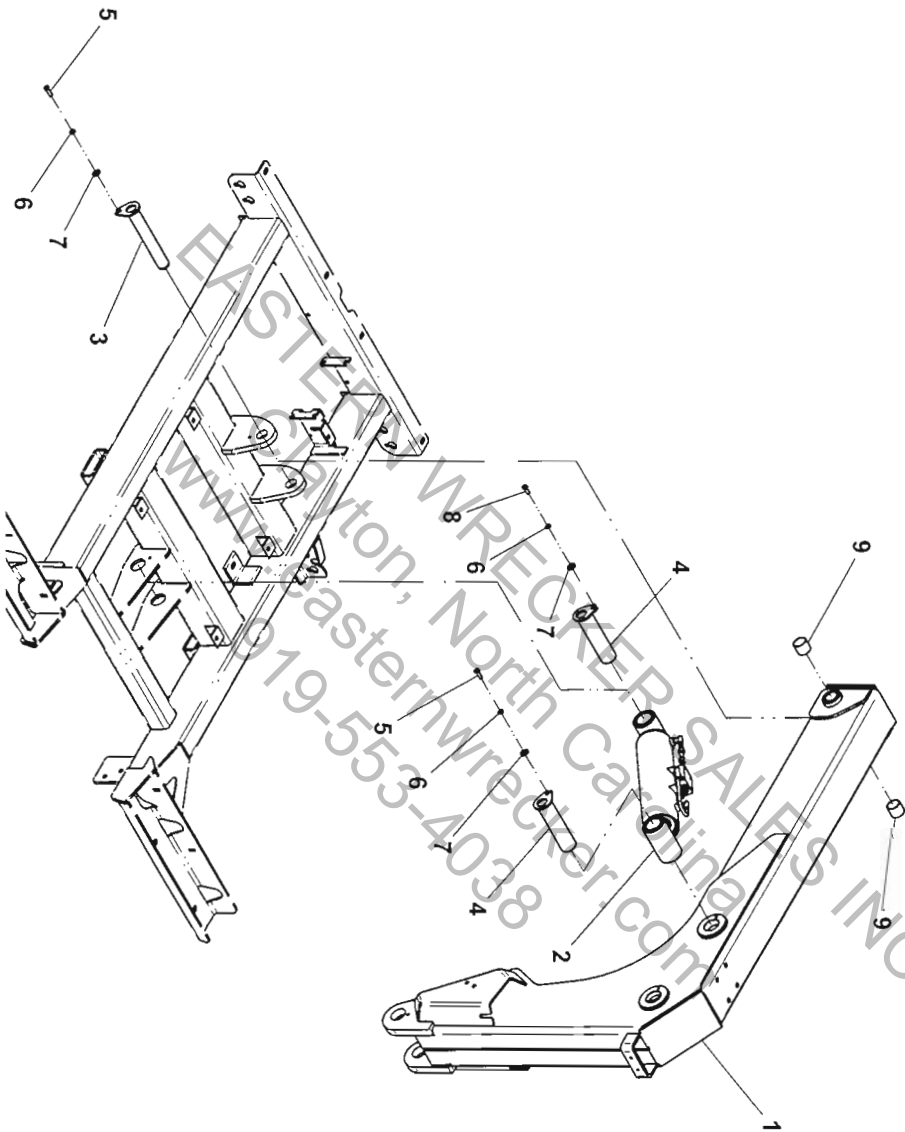
WRECKER BOOM

ITEM	PART NO.	DESCRIPTION	QTY
1	3170000446	Knee Boom Weld	1
2	3320000224	Cylinder Assembly	1
3	3691000258	Pin Weld	1
4	3691000242	Pin Weld	2
5	7115161050	Cap screw, 0.38"-16NC x 1.25"	2
6	7950160000	Lockwasher, 0.38" ID	3
7	7950160161	Flatwasher, 0.38" ID	3
8	7115160824	Cap screw, 0.38"-16NC x 1.00"	1
9	7082000030*	Bearing	2

* also available in Knee Boom Weld, P/N 3170000446

EASTERN WRECKER SALES INC
 Clayton, North Carolina
www.easternwrecker.com
 919-553-4038

WRECKER BOOM



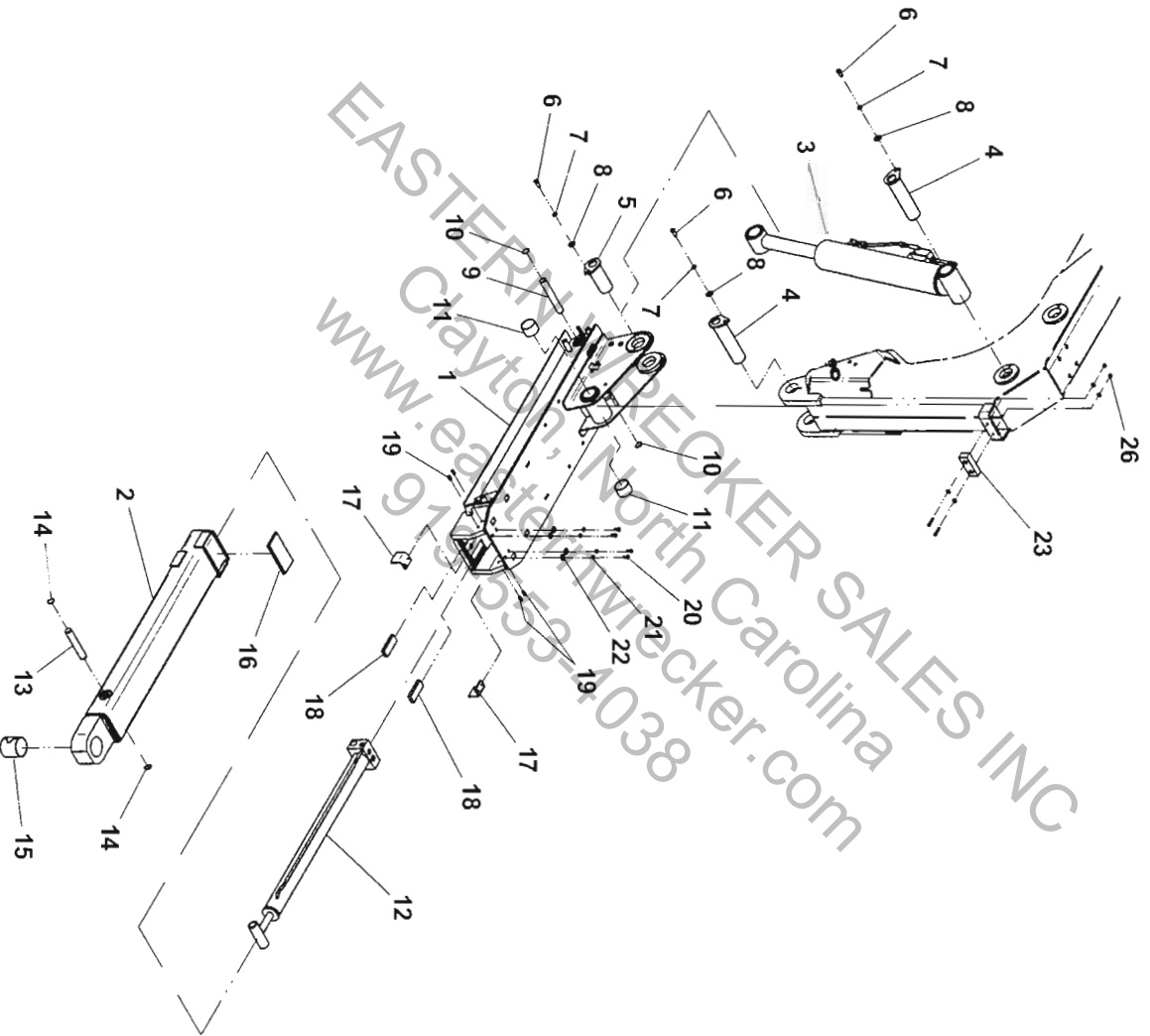
UNDERLIFT BOOM - HYDRAULIC GRID

ITEM	PART NO.	DESCRIPTION	QTY
1	3170000415	Base Boom Weld	1
2	3170000346	Fly Boom Weld	1
3	3320000225	Cylinder Assembly	1
4	4691000242	Pin	2
5	4691000236	Pin	1
6	7115160824	Cap screw, 0.38"-16NC x 1.00"	3
7	7950160000	Lockwasher, 0.38" ID	3
8	7950160161	Flatwasher, 0.38" ID	3
9	4691000308	Pin	1
10	7754000056	Snap Ring	2
11	7082000029+	Bearing	2
12	7320000077	Cylinder Assembly	1
13	4691000307	Pin	1
14	7754000019	Retaining Ring	2
15	7209000030^	Bushing	1
16	4679000046	Wear Pad	1
17	4017001502	Angle	2
18	4679000213	Wear Pad	2
19	7785161274	Set Screw, 0.38"-16NC x .75"	4
20	7104150627	Cap screw, 0.31"-24NF x .75"	4
21	7950150000	Lockwasher, 0.31" ID	4
22	7950150161	Flatwasher, 0.31" ID	4
23	7189000023	Bumper	1
24	7114141018	Cap screw, 0.25"-20NC x 1.25"	2
25	7950140143	Flatwasher, 0.25" ID	4
26	7660142604	Locknut, 0.25"-20NC	2

+ also available in Base Boom Weld, P/N 3020000415
 ^ also available in Fly Boom Weld, P/N 3170000346

EASTERN WRECKER SALES INC
 Clayton, North Carolina
 www.easternwrecker.com
 919-553-4038

UNDERLIFT BOOM - HYDRAULIC GRID



HYDRAULIC WHEEL LIFT GRID

ITEM	PART NO.	DESCRIPTION	QTY	ITEM	PART NO.	DESCRIPTION	QTY
1	4691000198 [^]	Pin	1	33	4064000052 [^]	Bar	1
2	4949000047 [^]	Washer, 2.84" ID	2	34	4831000095 [^]	Spacer	1
3	7754000024 [^]	Retaining Ring	1	35	7843000037 [^]	Compression Spring	1
4	3484000078 [^]	Grid Weld	1	36	7786000009 [^]	Set Screw, 0.75"-16NF x 1.50"	1
5	7320000064 [^]	Cylinder Assembly	2	37	4706004066	Plate LH	1
6	3691000229 [^]	Pin Weld	4	38	4706004067	Plate RH	1
7	7115151023 [^]	Capcrew, 0.31"-18NC x 1.25"	6	39	7189000019	Rubber Bumper	2
8	7660152601 [^]	Locknut, 0.31"-18NC	6	40	7114140618	Capcrew, 0.25"-20NC x .75"	2
9	4691000497 [^]	Pin	2	41	7950140143	Flatwasher, 0.25" ID	18
10	3592000052 [^]	Link Weld	2	42	7114140427	Capcrew, 0.25"-20NC x .50"	4
11	3592000051 [^]	Link Weld	2	43	3619000001	Manifold Weld	2
12	4706003497 [^]	Plate	2	44	7445040445	Elbow	4
13	7754000022 [^]	Retaining Ring	4	45	7115140850	Capcrew, 0.25"-20NC x 1.00"	4
14	7785140870 [^]	Set Screw, 0.25"-20NC x .50"	2	46	7660142604	Locknut, 0.25"-20NC	12
15	7440030000 [^]	Grease Fitting	1	47	7592000004	Swivel Link	2
16	7701000007 [^]	Plug Button	1	48	7843000031	Extension Spring	2
17	3691000230 [^]	Pin Weld	2	49	4706003501	Plate	2
18	3020000124 [^]	Arm Weld LH	1	50	7719000004	Roller	2
19	3020000125 [^]	Arm Weld RH	1	51	7691000040	Clevis Pin	2
20	8411080091 [^]	L-Arm Spacer	2	52	7691000042	Cotter Pin	2
21	7082000027#	Bearing	4	53	7912000174	Tube Assembly	2
22	7082000026*+	Bearing	10	54	7274000073	Hose Clamp	8
23	4314000189 [^]	Coverplate	2	55	7950160153	Flatwasher, 0.38" ID	2
24	7114140518 [^]	Capcrew, 0.25"-20NC x .62"	4	56	7660162604	Locknut, 0.38"-16NC	2
25	7785140400 [^]	Set Screw, 0.25"-20NC x .25"	2				
26	7274000086 [^]	Clamp Half	4				
27	7274000039 [^]	Clamp Cover	2				
28	7115151250 [^]	Capcrew, 0.31"-18NC x 1.50"	4				
29	7950160000 [^]	Lockwasher, 0.38" ID	2				
30	4619000013 [^]	Hydraulic Manifold	1				
31	7912000184 [^]	Tube Assembly	4				
32	7445040443 [^]	Adapter	4				

also available in Arm Weldments, P/N 3020000124 & 3020000125

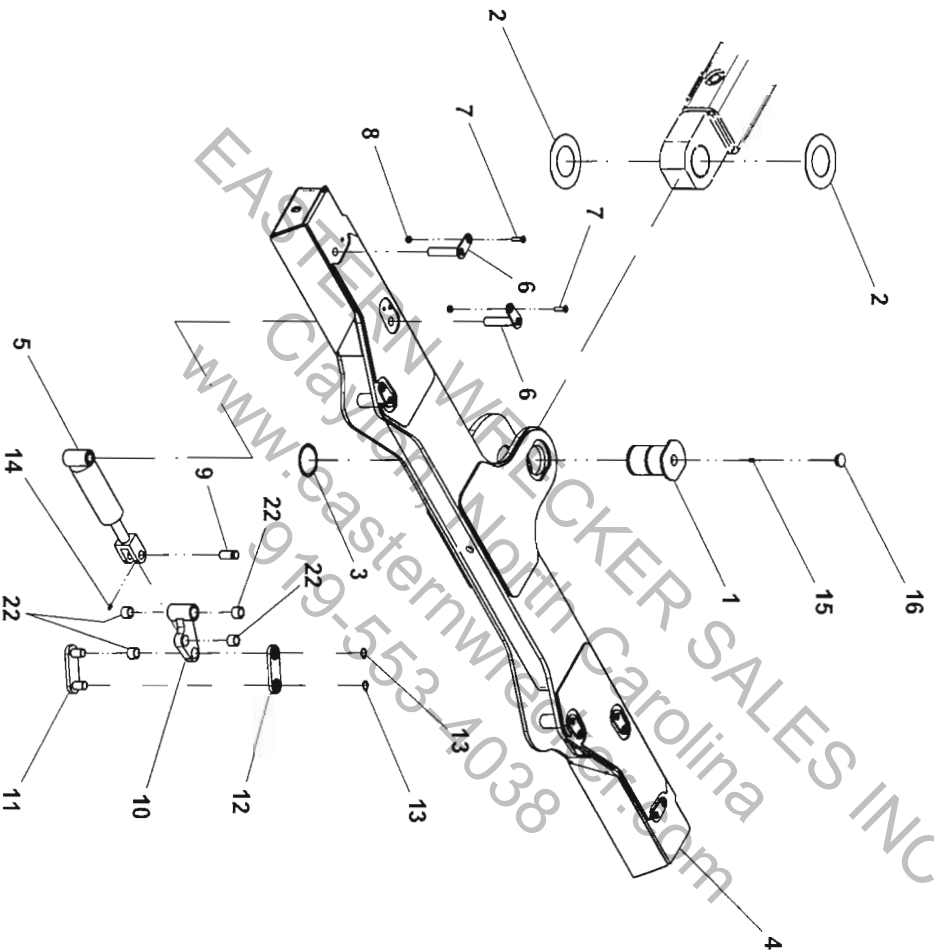
* quantity of 1 also available in each of Arm Weldments, P/N 3020000124 & 3020000125

+ quantity of 8 also available in Link Weldments, P/N 3592000052

[^] also available in Grid Assembly, P/N 3484000079

EASTERN WRECKER
www.easternwrecker.com
99-5511-0001

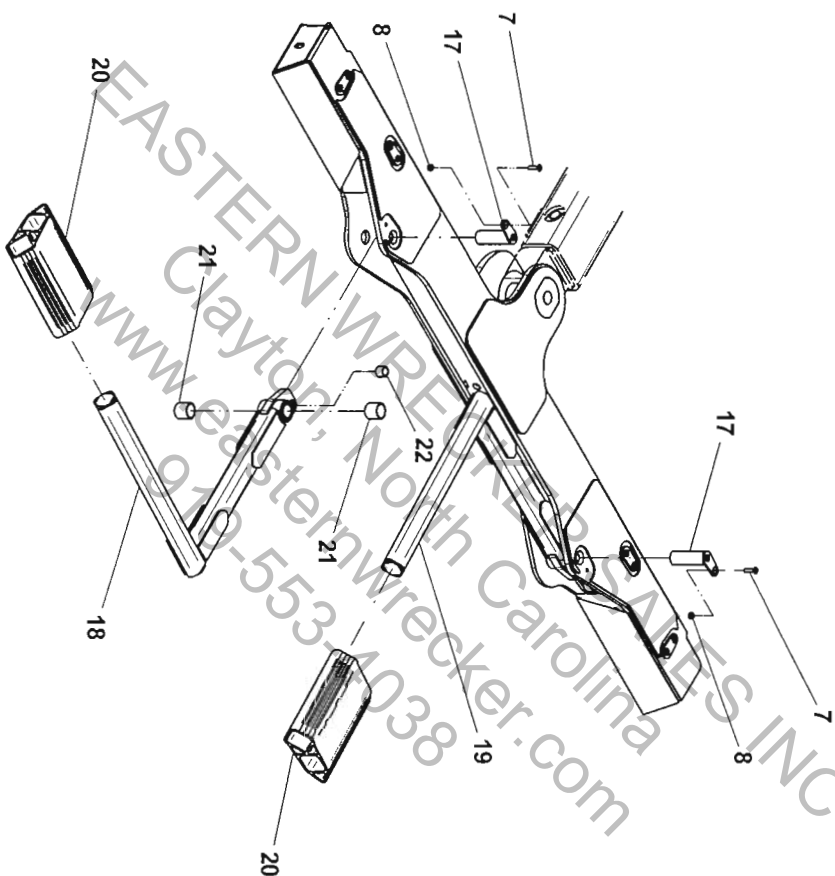
HYDRAULIC WHEEL LIFT GRID



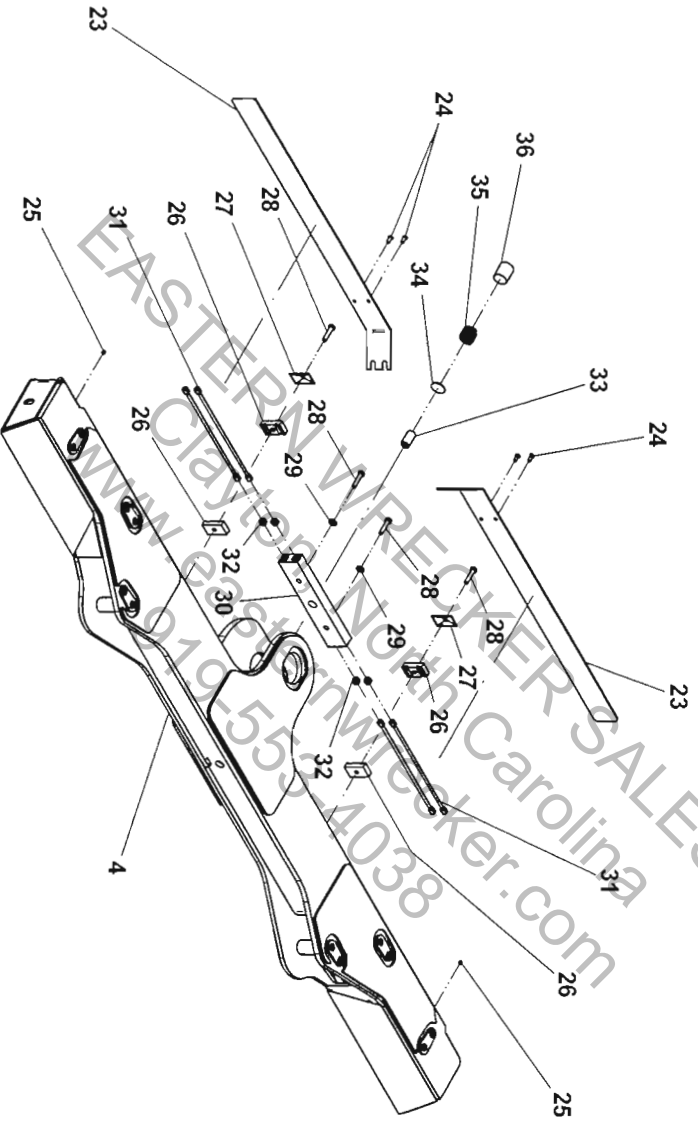
EASTERN WRECKER SALES INC
www.easternwrecker.com
919-553-4038
Clayton, North Carolina



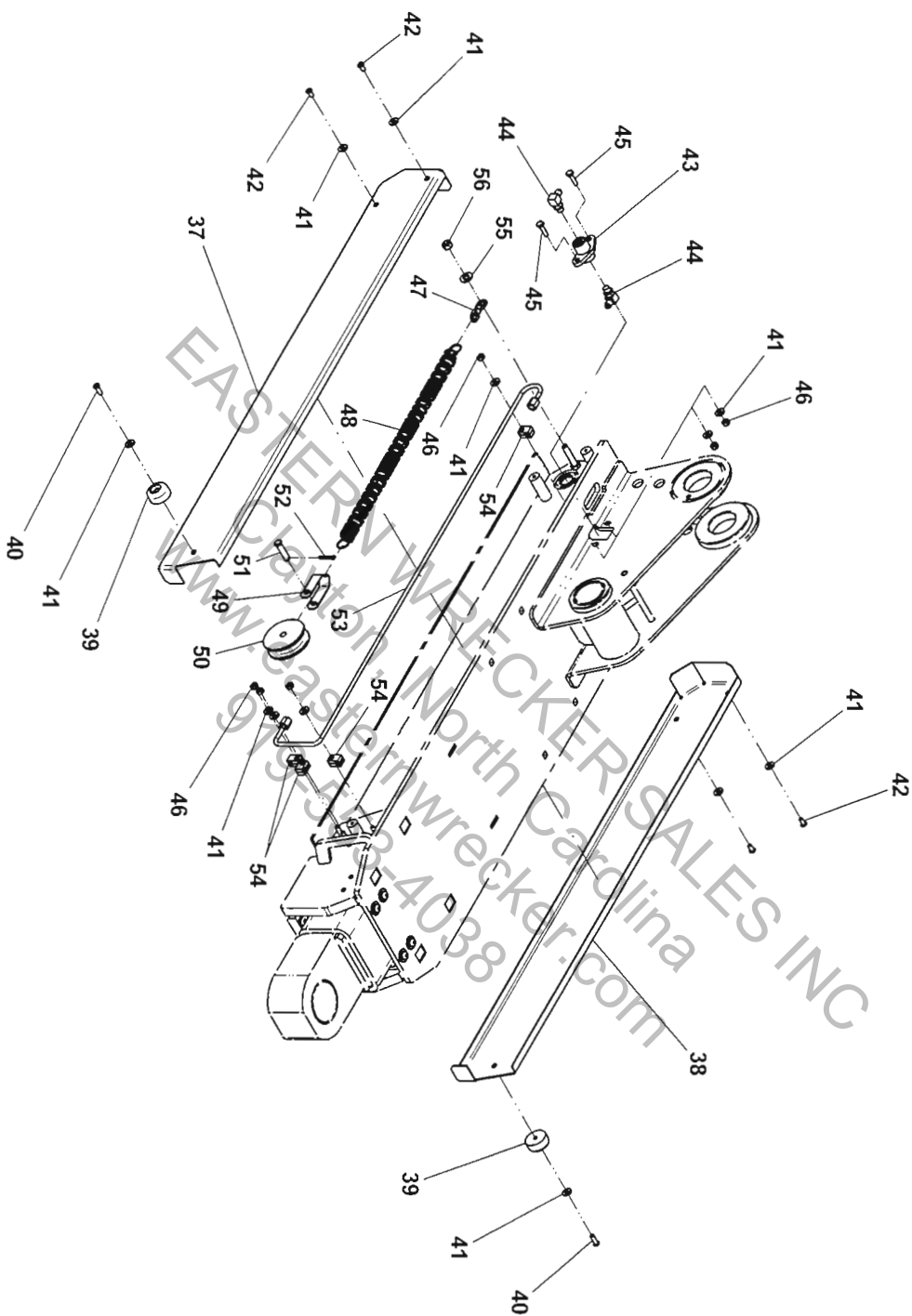
HYDRAULIC WHEEL LIFT GRID



HYDRAULIC WHEEL LIFT GRID



HYDRAULIC WHEEL LIFT GRID





THIS PAGE INTENTIONALLY LEFT BLANK

EASTERN WRECKER SALES INC
Clayton, North Carolina
www.easternwrecker.com
919-553-4038

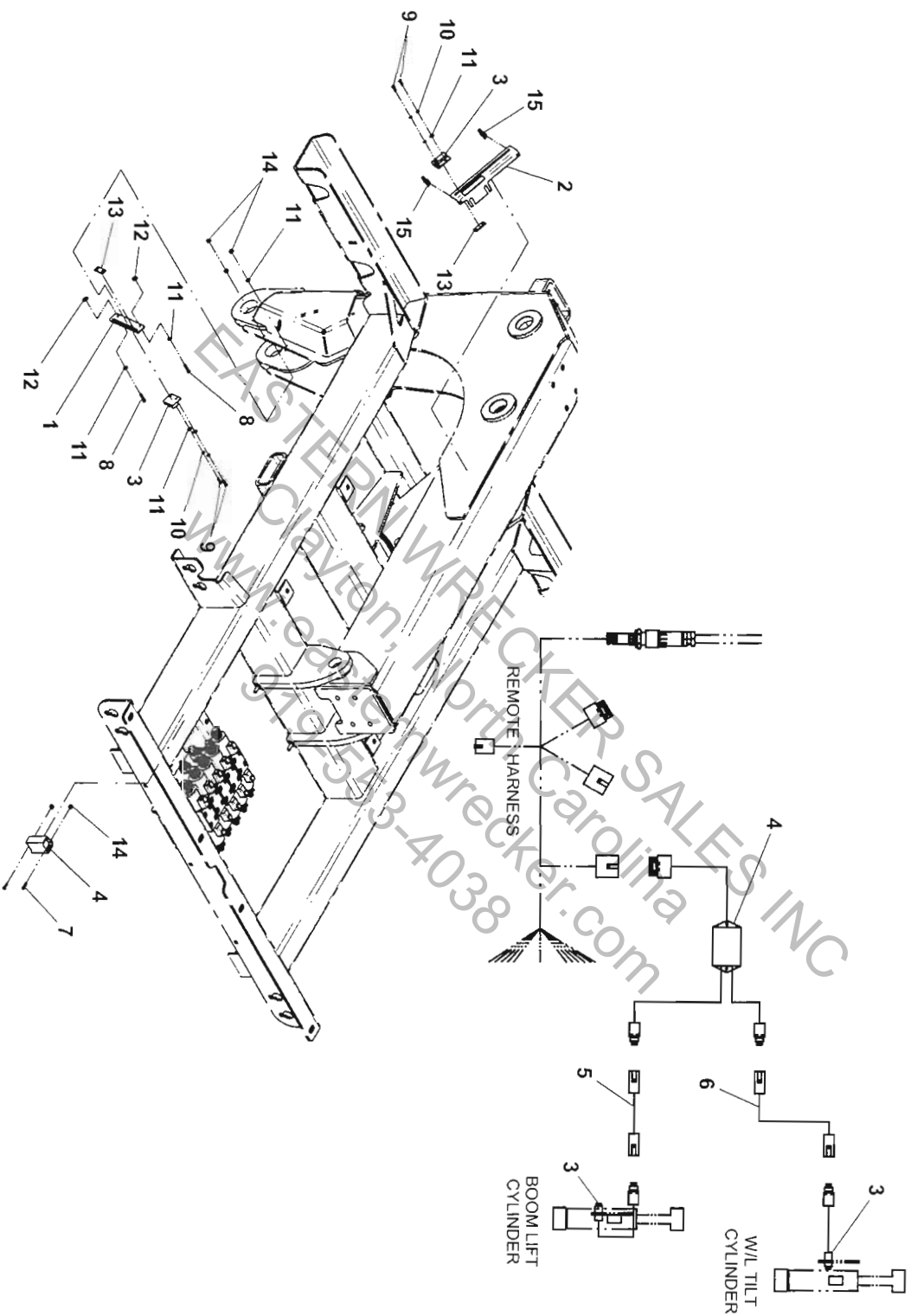


UNDERLIFT LEVEL STOP

ITEM	PART NO.	DESCRIPTION	QTY
1	4178000709	Bracket	1
2	4178000705	Bracket	1
3	7870000126	Proxi Switch	2
4	7346000250	Controller	1
5	7552000367	Lift Cyl Switch to Controller Harness	1
6	7552000368	Tilt Cyl Switch to Controller Harness	1
7	7114100618	Cap screw, #10-24NC x 0.75"	2
8	7114100818	Cap screw, #10-24NC x 1.00"	2
9	7114100518	Cap screw, #10-24NC x 0.63"	4
10	7950100003	Lockwasher, 0.19" ID	4
11	7950100103	Flatwasher, 0.19" ID	8
12	7950100163	Flatwasher, 0.19" ID	8
13	7661000056	Weld Nut, #10-24NC	2
14	7660102604	Locknut, #10-24NC	4
15	7894000042	The Strap	4
16	5526000553	The Strap	10
17	7894000004	The Strap	3

EASTERN WRECKER SALES INC
Clayton, North Carolina
www.easternwrecker.com
919-553-4038

UNDERLIFT LEVEL STOP



Items #16 & #17, Tie Straps, not shown
 2 of item #15, Tie Strap, not shown



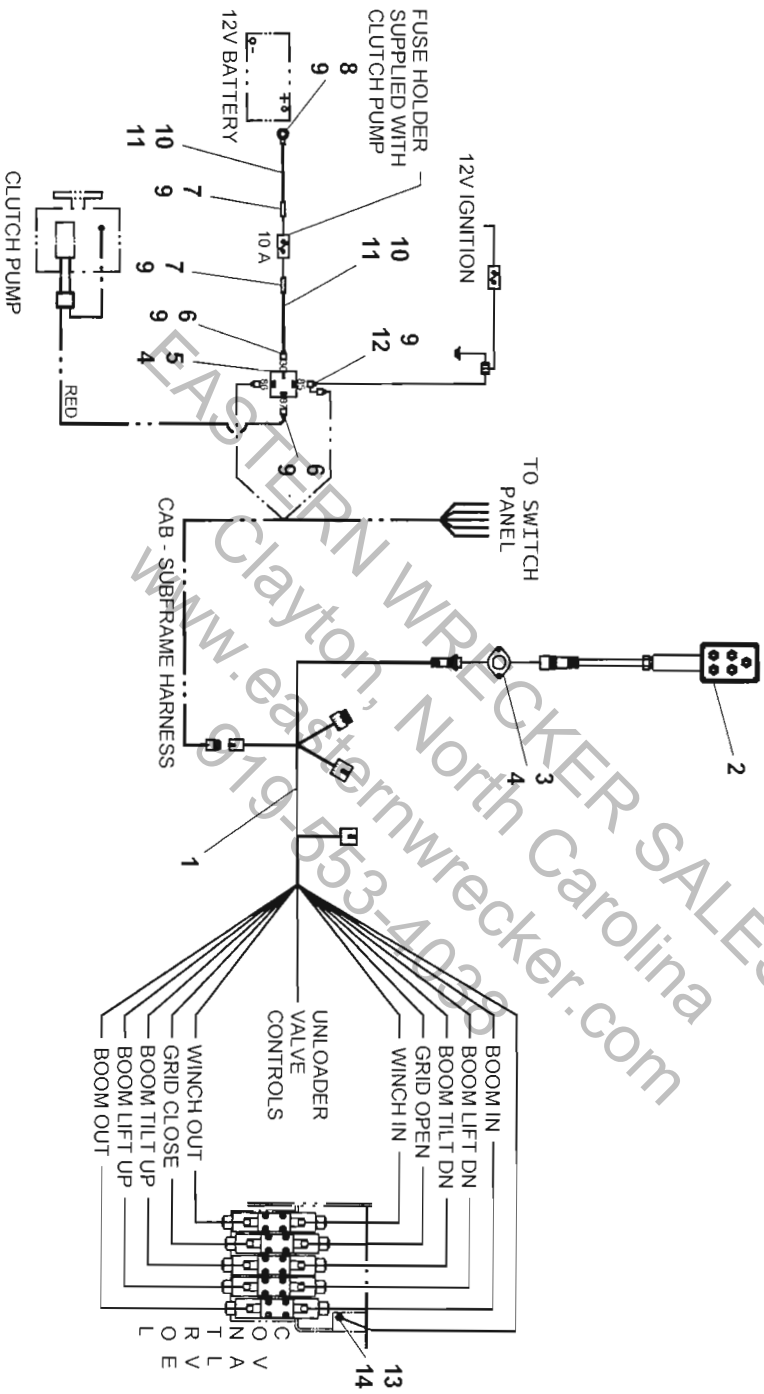


WIRED REMOTE CONTROL

ITEM	PART NO.	DESCRIPTION	QTY
1	7552000365	Control Valve to Subframe Harness	1
2	7295000062	Hand Controller - 8 function (w/o winch)	1
	7295000061	Hand Controller - 10 function(w/ winch)	
3	4706003402	Plate	1
4	7790100856	Screw, #10 x 0.50"	3
5	7740000003	Relay	1
6	7345001710	Tab	2
7	7345001714	Terminal	1
8	7345221702	Terminal	1
9	7346000039	Tubing	1
10	8977500100	Wire #16 ga	36in
11	8597650002	Wire Loom	36in
12	7345001747	Fastener (w/ winch only)	1
13	7870000092	Toggle Switch	1
14	7560000004	Switch Boot	1

EASTERN WRECKER SALES INC
Clayton, North Carolina
www.easternwrecker.com
919-553-4038

WIRED REMOTE CONTROL

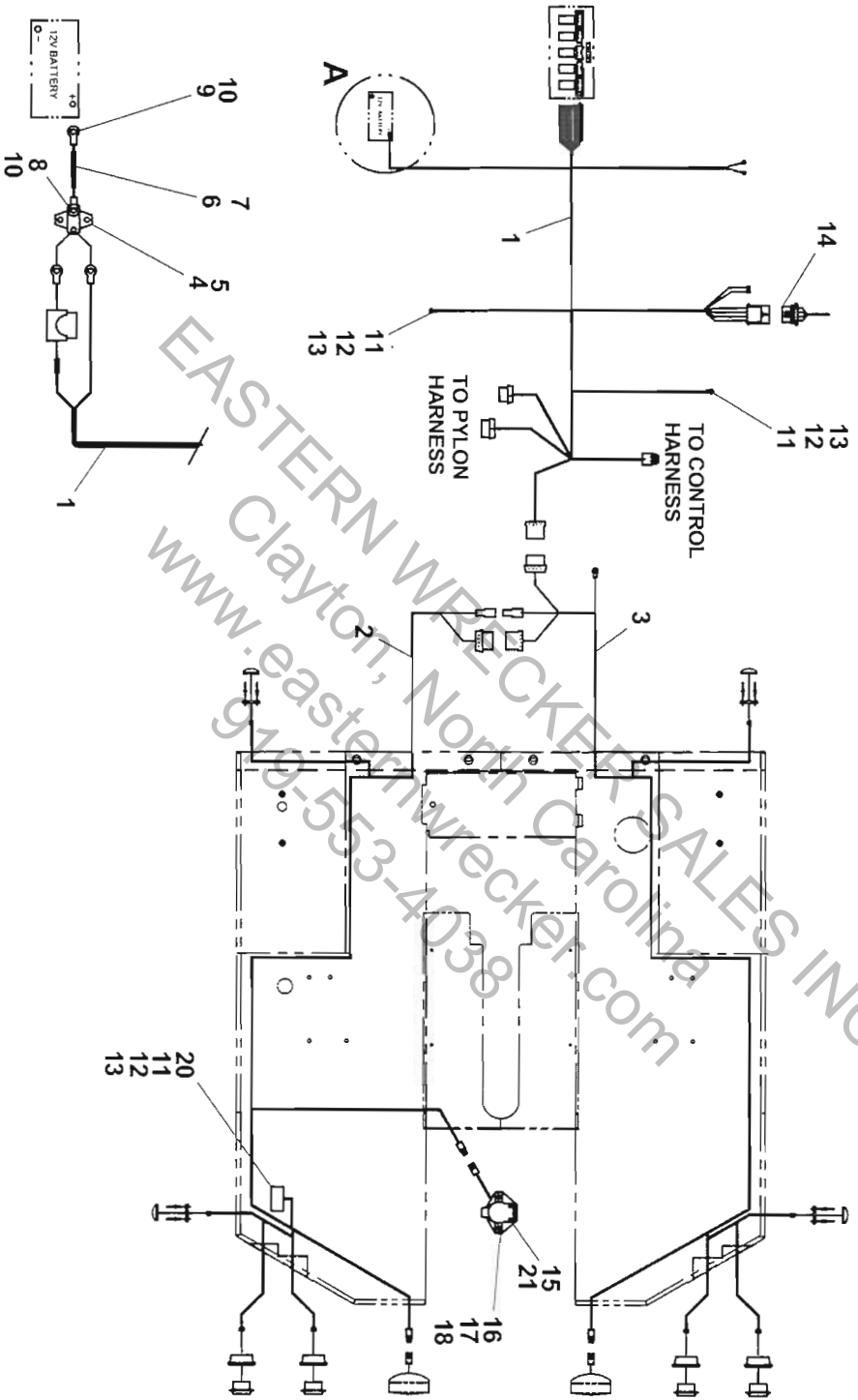


ELECTRICAL COMPONENTS - BODY - STANDARD

ITEM	PART NO.	DESCRIPTION	QTY
1	7552000292	Cab to Subframe Harness	1
2	7552000416	LH Body Harness	1
3	7552000417	RH Body Harness	1
4	7457000004	Circuit Breaker - 50 amp	1
5	7792000001	Screw, #10 x .75"	2
6	8977530200	Wire 10ga	36in
7	8597650002	Convolute Wire Loom	36in
8	7345211902	Terminal	1
9	7345221902	Terminal	1
10	7346000039	Heat Shrink Tubing	24in
11	7111141050	CapscREW, 0.25"-20NC x 1.25"	4
12	7950140141	Flatwasher, 0.25" ID	6
13	7660142600	Locknut, 0.25"-20NC	4
14	7577000194	Wiring Connector Kit - Chassis	1
15	7291000010	4-Way Receptacle	1
16	7111140613	CapscREW, 0.25"-20NC x .75"	2
17	7950140000	Lockwasher, 0.25" ID	2
18	7413000002	Nutsert, 0.25"-20NC	2
19	7894000042	Tie Strap	32
20	7011000003	Back-up Alarm	1
21	7796000096	Gasket	1

EASTERN WRECKER SALES INC
 Clayton, North Carolina
 www.easternwrecker.com
 919-553-4038

ELECTRICAL COMPONENTS - BODY - STANDARD



DETAIL **A**

Item #19, Tie Strap, not shown.

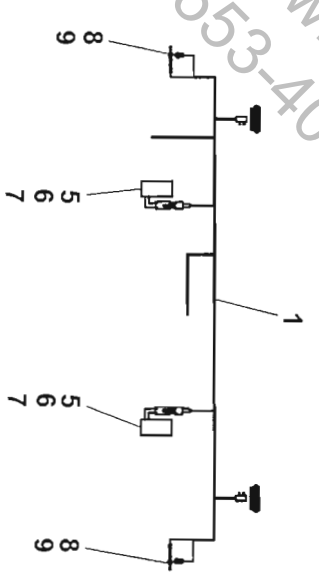
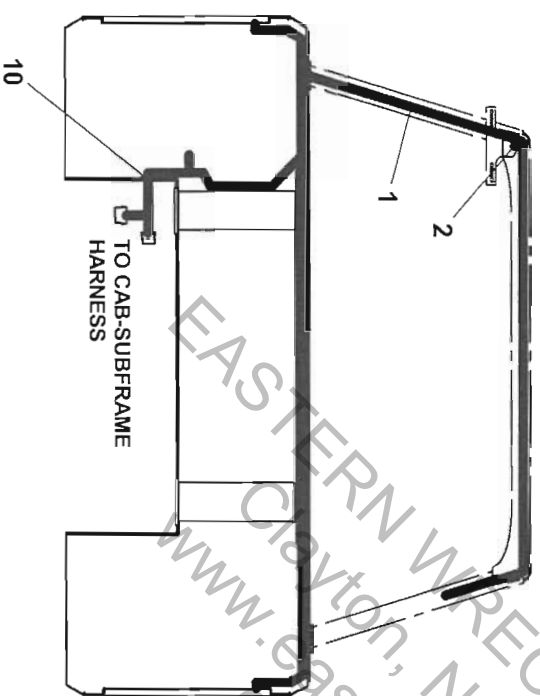
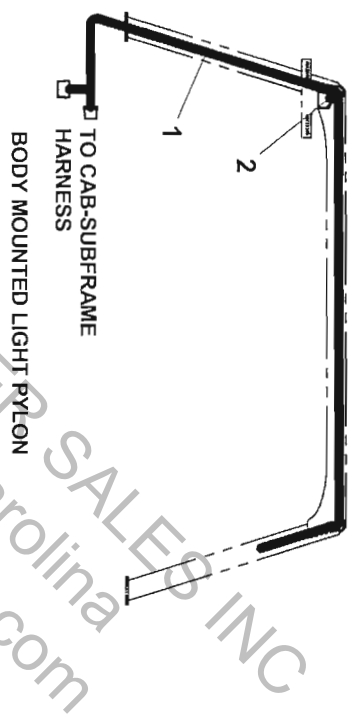


ELECTRICAL COMPONENTS - PYLON / TUNNEL TOOL COMPARTMENT WIRING

ITEM	PART NO.	DESCRIPTION	QTY
1	7552000293	Harness (body mounted pylon)	1
2	7552000295	Harness (tunnel mounted pylon)	6 in
3	7346000039	Heat Shrink Tubing	1
4	7894000042	Tie Strap (body mounted pylon)	3
5	7894000042	Tie Strap (tunnel mounted pylon)	1
6	5526000553	Tie Strap (body mounted pylon)	8
7	5526000553	Tie Strap (tunnel mounted pylon)	2
8	7790100856	Dome Light (tunnel mounted pylon)	4
9	7661000047	Screw, #10 x .50" (tunnel mounted pylon)	4
10	7870000115	Nylon Nut, #8 (tunnel mounted pylon)	2
	7413000013	Pin Switch (tunnel mounted pylon)	2
	7493000011	Fastener (tunnel mounted pylon)	1
		Grommet (tunnel mounted pylon)	1

EASTERN WRECKER SALES INC
 Clayton, North Carolina
 www.easternwrecker.com
 919-553-4038

ELECTRICAL COMPONENTS - PYLON / TUNNEL TOOL COMPARTMENT WIRING



TUNNEL TOOL COMPARTMENT MOUNTED LIGHT PYLON

Item #3, Tie Strap, not shown
 Item #4, Tie Strap, not shown

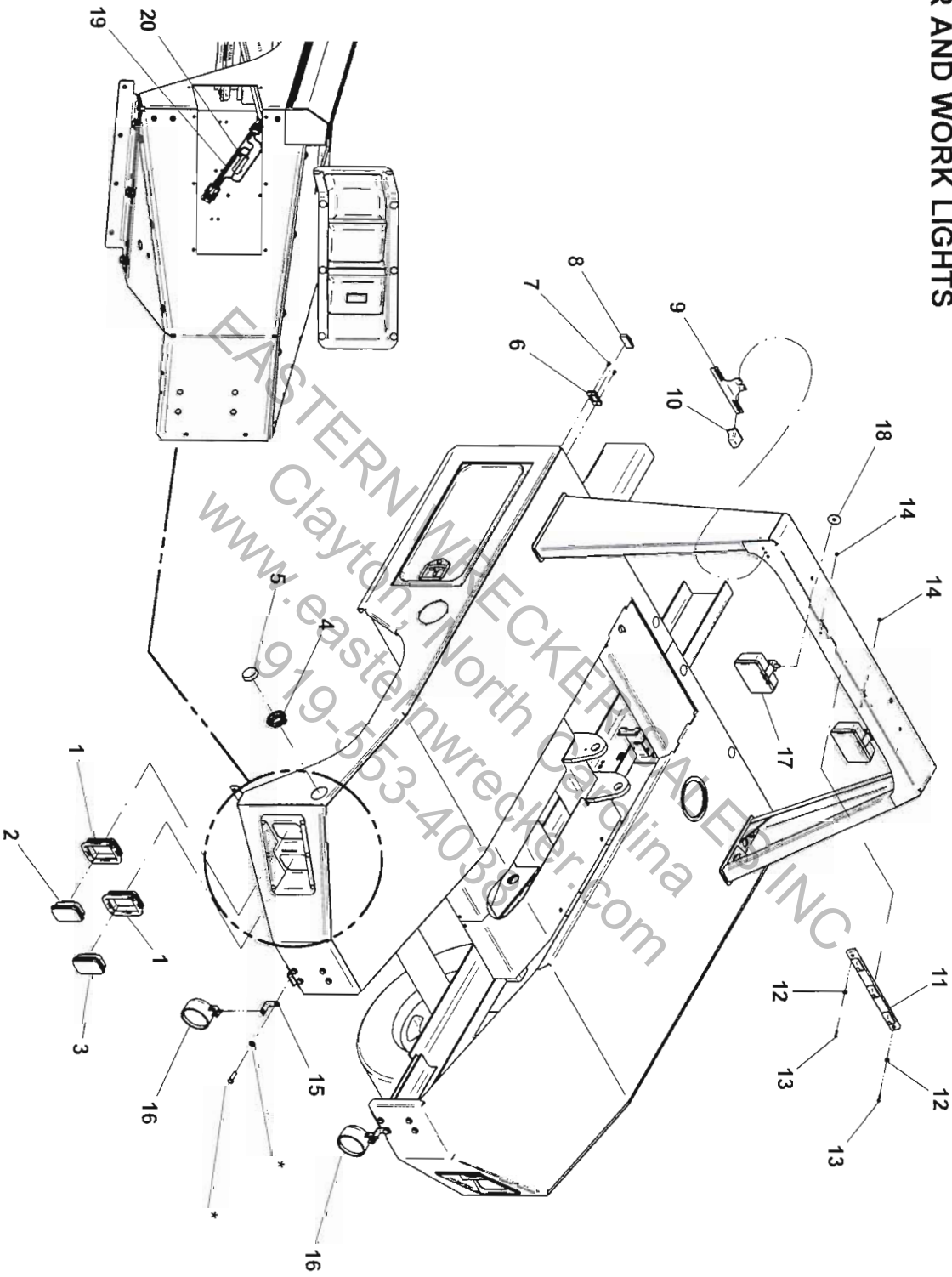


MARKER AND WORK LIGHTS

ITEM	PART NO.	DESCRIPTION	QTY
1	7493000029	Grommet	4
2	7590000380	Stop/Tail/Turn Light (Incandescent)	2
	7590000381	Stop/Tail/Turn Light (LED)	
3	7590000379	Backup Light	2
4	7493000009	Grommet	2
5	7590000047	Marker Light - Red (Incandescent)	2
	7590000238	Marker Light - Red (LED)	
6	7590000207	Light Mount	2
7	7493000009	Pop Rivet	4
8	7590000385	Marker Light - Amber (Incandescent)	2
	7590000339	Marker Light - Amber (LED)	
9	7178000025	License Plate Bracket	1
10	7590000105	License Plate Light	1
11	7590000193	DOT ID Light (Incandescent)	1
	7590000316	DOT ID Light (LED)	
12	7950140143	Flatwasher, 0.25" ID	2
13	7114141018	Cap screw, 0.25" -20NC x 1.25"	2
14	7660142601	Locknut, 0.25" -20NC	2
15	4178000784	Bracket	2
16	7590000185	Lower Work Light	2
17	7590000144	Upper Work Light	2
18	7949000015	Washer	2
19	7552000400	Harness (LED lights only)	2
20	7759000006	Pop Rivet (LED lights only)	2

EASTERN WRECKER SALES INC
 Clayton, North Carolina
 www.easternwrecker.com
 919-553-4038

MARKER AND WORK LIGHTS



* - existing hardware from body



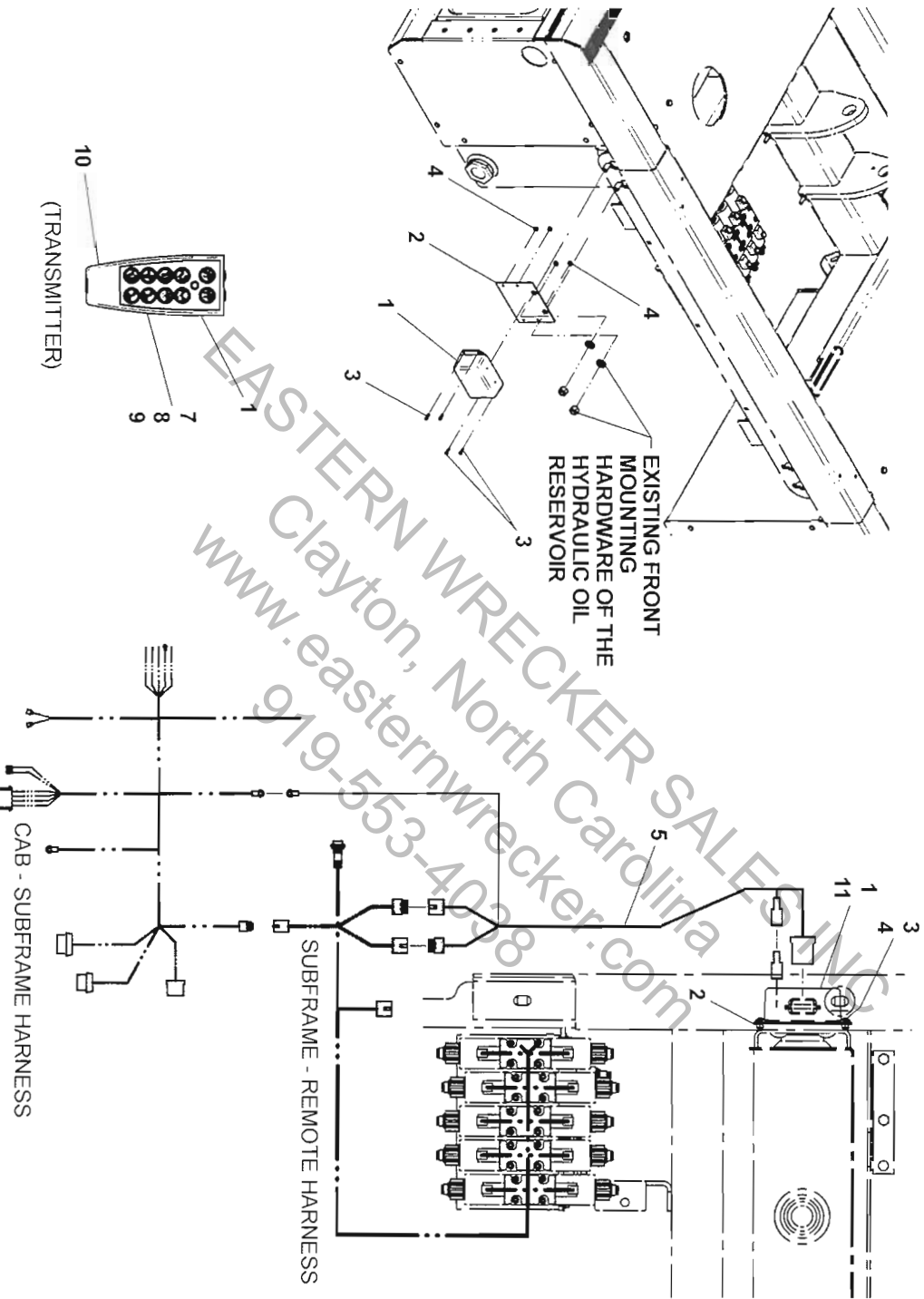
WIRELESS REMOTE CONTROL

ITEM	PART NO.	DESCRIPTION	QTY
1	7295000116	Wireless Controller 8 Function, (w/o winch)	1
	7295000117	Wireless Controller 10 Function, (w/ winch)	
2	4636000038	Mounting Plate	1
3	7114100518	Capscrew, #10-24NC x 0.62"	4
4	7660102604	Locknut, #10-24NC	4
5	7552000384	Controller to 4 Sect Valve Harness, (w/o winch)	1
	7552000386	Controller to 5 Section Valve Harness, (w/ winch)	
6	55260000553	Tie Strap	5
7	9295310045 ^v	Transmitter, 8 Function (w/o winch)	1
	9295310046*	Transmitter, 10 Function (w/ winch)	
8	9295310029* ^v	Rubber Boot	1
9	9295310030* ^v	Belt Clip	1
10	70750000003	Battery, 9V	1
	9295310049 ^v	Receiver, 8 Function (w/o winch)	
11	9295310050*	Receiver, 10 Function (w/ winch)	1

* included in Wireless Controller 10 Func, P/N 7295000116
^v included in Wireless Controller 8 Function, P/N 7295000117

EASTERN WRECKER SALES INC
Clayton, North Carolina
www.easternwrecker.com
919-553-4038

WIRELESS REMOTE CONTROL



10 (TRANSMITTER)

Item #6, Tie Strap, not shown
 10 Function Remote Shown



EASTERN WRECKER SALES INC.
 Clayton, North Carolina
 www.easternwrecker.com
 919-553-4038



HYDRAULIC COMPONENTS - SPR / HOSE ROUTING (FORD)

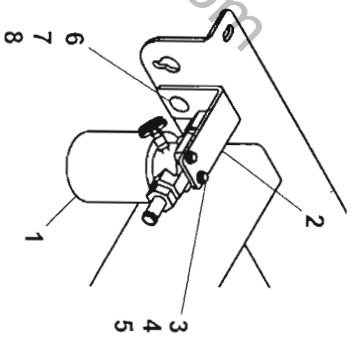
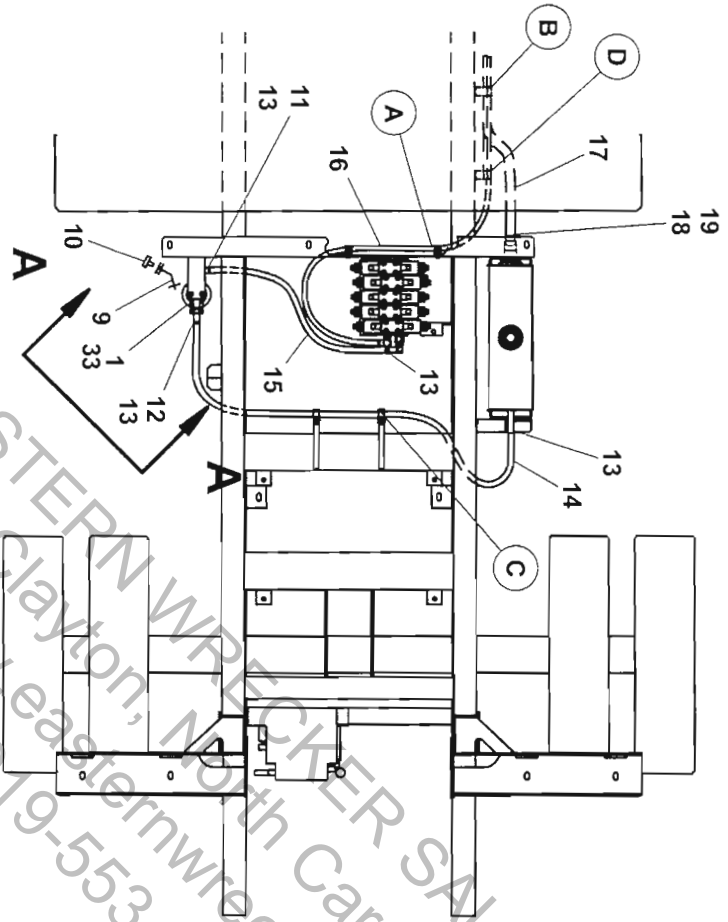
ITEM	PART NO.	DESCRIPTION	QTY
1	7430000003	Filter Assembly	1
2	4178000719	Bracket	1
3	7114140650	Cap screw, 0.25"-20NC x 0.75"	2
4	7950140003	Lockwasher, 0.25" ID	2
5	7950140143	Flatwasher, 0.25" ID	2
6	7115181064	Carriage Bolt, 0.50"-13NC x 1.25"	1
7	7950180161	Flatwasher, 0.50" ID	1
8	7660182601	Locknut, 0.50"-13NC	1
9	7443000066	Fitting	1
10	7470000002	Gauge	1
11	7443000319	Fitting	1
12	7443000374	Fitting	1
13	7274000122	Clamp	4
14	4570000345	Hose - Return	1
15	4570000344	Hose - Return	1
16	See Note 1	Hose - Pressure	1
17	See Note 1	Hose - Supply	1
18	7443000013	Barb Fitting	1
19	7274000002	Clamp	2
20	7274000076	Cast Frame Clamp	3
21	7785152420	Set Screw, 0.31"-18NC x 1.50"	3
22	7115151050	Cap screw, 0.31"-18NC x 1.25"	6
23	7950150161	Flatwasher, 0.31" ID	13
24	7660152601	Locknut, 0.31"-18NC	13
25	7274000105	Clamp	7
26	7274000042	Clamp	7
27	7115150864	Carriage Bolt, 0.31"-18NC x 1.00"	2
28	7443000426	Barb Fitting	1
29	7445081246	Fitting	1
30	7819000013	Sleeve	4
31	7660150000	Nut, 0.31"-18NC	5
32	7274000071	Clamp	3
33	7431000001 [^]	Filter Element	1

[^] Also available in Filter Assembly, P/N 7430000003

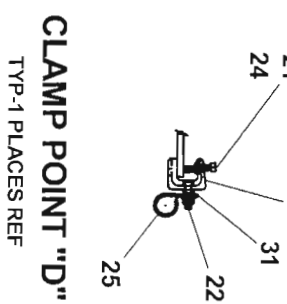
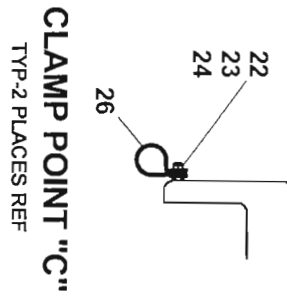
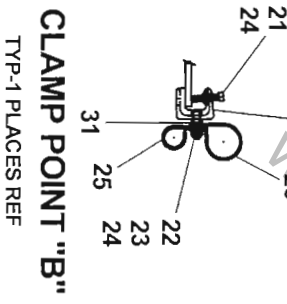
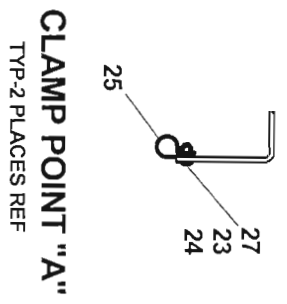
Note 1: Varies depending on chassis, transmission and PTO type. Consult factory for part numbers.

EASTERN WRECKER SALES INC
Clayton, North Carolina
www.easternwrecker.com
919-553-4038

HYDRAULIC COMPONENTS - SPR / HOSE ROUTING (FORD)



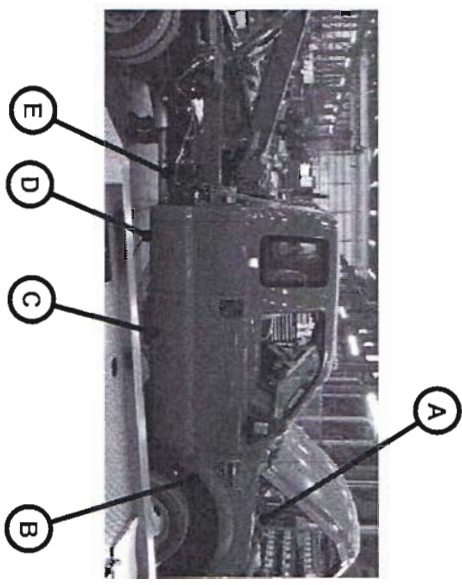
SECTION A-A



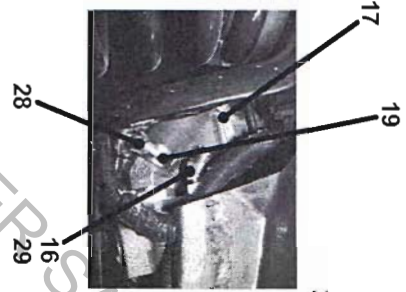
EASTERN WRECKER SALES INC
 www.easternwrecker.com
 919-553-4038
 Clayton, North Carolina



HYDRAULIC COMPONENTS - SPR / HOSE ROUTING (FORD)

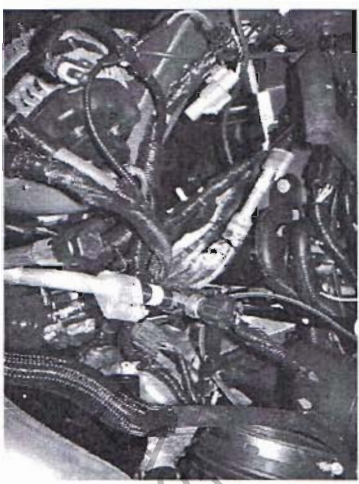


SECURE HOSES TO MIDDLE-BODY MOUNT USING CAST CLAMP (ITEM #20)



DETAIL A

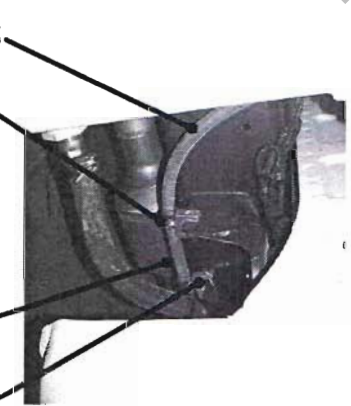
2008 FORD SINGLE ALTERNATOR MUNCIE CLUTCH PUMP INSTALLATION SHOWN - TYPICAL FOR GAS AND DUAL ALTERNATOR INSTALLATIONS.



DETAIL B



DETAIL C



DETAIL D

THIS PAGE INTENTIONALLY LEFT BLANK

EASTERN WRECKER SALES INC
Clayton, North Carolina
www.easternwrecker.com
919-553-4038



HYDRAULIC COMPONENTS - SPR / HOSE ROUTING (DODGE)

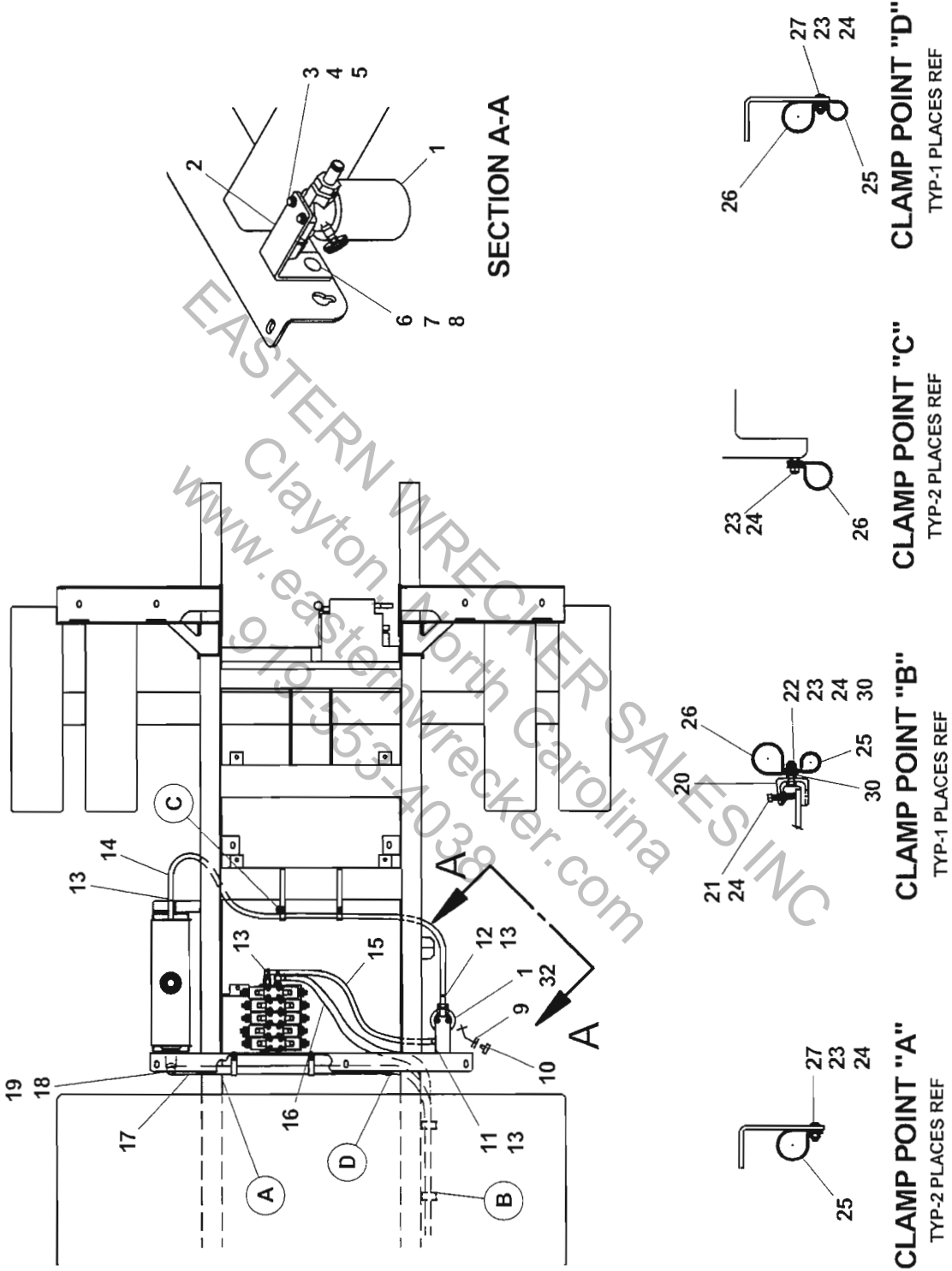
ITEM	PART NO.	DESCRIPTION	QTY
1	7430000003	Filter Assembly	1
2	4178000719	Bracket	1
3	7114140650	Capscrew, 0.25"-20NC x 0.75"	2
4	7950140003	Lockwasher, 0.25" ID	2
5	7950140143	Flatwasher, 0.25" ID	2
6	7115181064	Carriage Bolt, 0.50"-13NC x 1.25"	1
7	7950180161	Flatwasher, 0.50" ID	1
8	7660182601	Locknut, 0.50"-13NC	1
9	7443000066	Fitting	1
10	7470000002	Gauge	1
11	7443000319	Fitting	1
12	7443000374	Fitting	1
13	7274000122	Clamp	4
14	4570000345	Hose - Return	1
15	4570000344	Hose - Return	1
16	See Note 1	Hose - Pressure	1
17	See Note 1	Hose - Supply	1
18	7443000412	Elbow Barb	1
19	7274000002	Clamp	2
20	7274000076	Cast Frame Clamp	4
21	7785152420	Set Screw, 0.31"-18NC x 1.50"	4
22	7115151050	Capscrew, 0.31"-18NC x 1.25"	6
23	7950150161	Flatwasher, 0.31" ID	7
24	7660152601	Locknut, 0.31"-18NC	13
25	7274000105	Clamp	5
26	7274000042	Clamp	7
27	7115150864	Carriage Bolt, 0.31"-18NC x 1.00"	3
28	4706003844	Plate	1
29	7443000013	Fitting	4
30	7660150000	Nut, 0.31"-18NC	4
31	7274000071	Clamp	1
32	7431000001^	Filter Element	1

^ Also available in Filter Assembly, P/N 7430000003

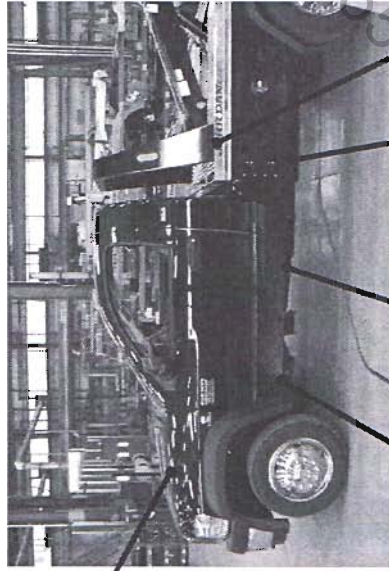
Note 1: Varies depending on chassis, transmission and PTO type.
Consult factory for part numbers.

EASTERN WRECKER SALES INC
Clayton, North Carolina
www.easternwrecker.com
919-553-4038

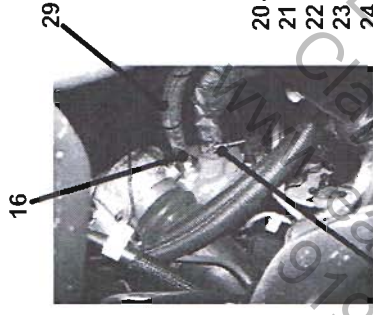
HYDRAULIC COMPONENTS - SPR / HOSE ROUTING (DODGE)



HYDRAULIC COMPONENTS - SPR / HOSE ROUTING (DODGE)



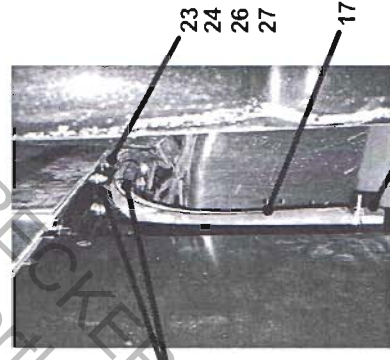
- (A)
- (B)
- (C)
- (D)
- (E)



DETAIL A



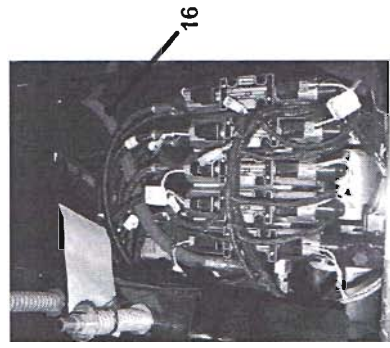
DETAIL B



DETAIL D



DETAIL C



DETAIL E

THIS PAGE INTENTIONALLY LEFT BLANK

EASTERN WRECKER SALES INC
Clayton, North Carolina
www.easternwrecker.com
919-553-4038

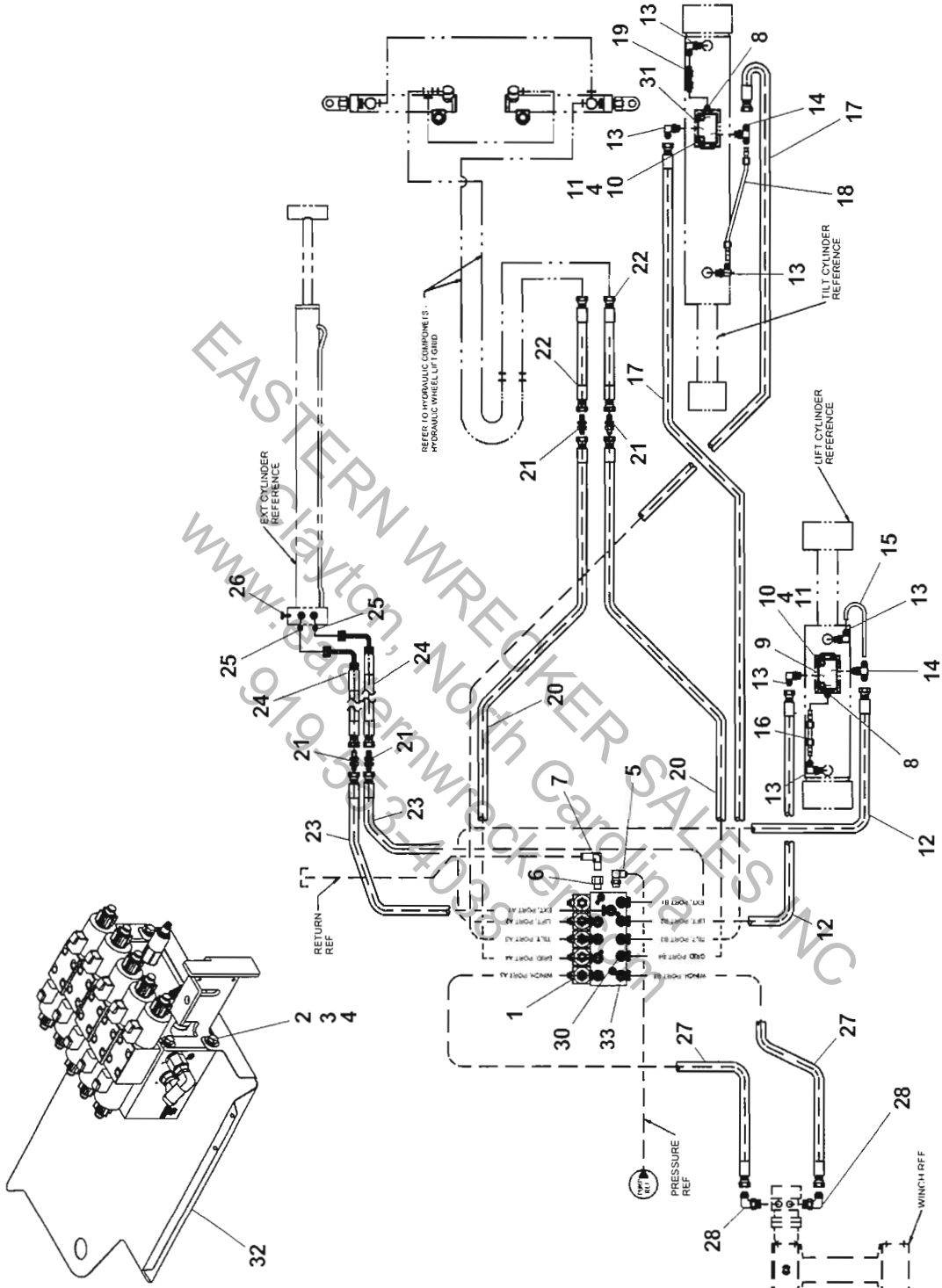


HYDRAULIC COMPONENTS - HLF

ITEM	PART NO.	DESCRIPTION	QTY	ITEM	PART NO.	DESCRIPTION	QTY
1	7935000311	Valve Assembly	1	30	7445060843	Adapter (w/ winch)	10
2	7115150850	Capscrew, 0.31"-18NC x 1.00"	4	31	7445060843	Adapter (w/o winch)	8
3	7950150000	Lockwasher, 0.31" ID	4	32	7935000354	Counterbalance Valve	1
4	7950150161	Flatwasher	8	33	4495000011	Guard	1
5	7445080845	Elbow	1		Not Required	(w/ winch)	
6	7443000435	Fitting	1		7443000048	Plug (w/o winch)	2
7	7443000436	Fitting	1				
8	7445060643	Adapter	2				
9	7935000308	Counterbalance Valve	1				
10	7114151650	Capscrew, 0.31"-18NC x 2.00"	4				
11	7660152601	Locknut, 0.31"-18NC	4				
12	4567120056	Hose Assembly	2				
13	7445060645	Elbow	6				
14	7445060647	Tee	2				
15	7912000080	Tube Assembly	1				
16	7912000291	Tube Assembly	1				
17	4567120087	Hose Assembly	2				
18	7912000292	Tube Assembly	1				
19	7912000078	Tube Assembly	1				
20	4567120118	Tube Assembly	2				
21	7445060625	Hose Assembly	4				
22	4570000341	Fitting	2				
23	4567120112	Hose Assembly	2				
24	7570000342	Hose	2				
25	7445040443	Adapter	2				
26	7443000114	Plug	1				
27	4570000303	Hose (w/ winch)	2				
	Not Required	(w/o winch)					
28	7445081045	Elbow (w/ winch)	2				
	Not Required	(w/o winch)					
29	4819000008	Hose Sleeve	1				

EASTERN WRECKER SALES INC
 Clayton, North Carolina
 www.easternwrecker.com
 919-553-4038

HYDRAULIC COMPONENTS - HLF



Item #29, Hose Sleeve, not shown



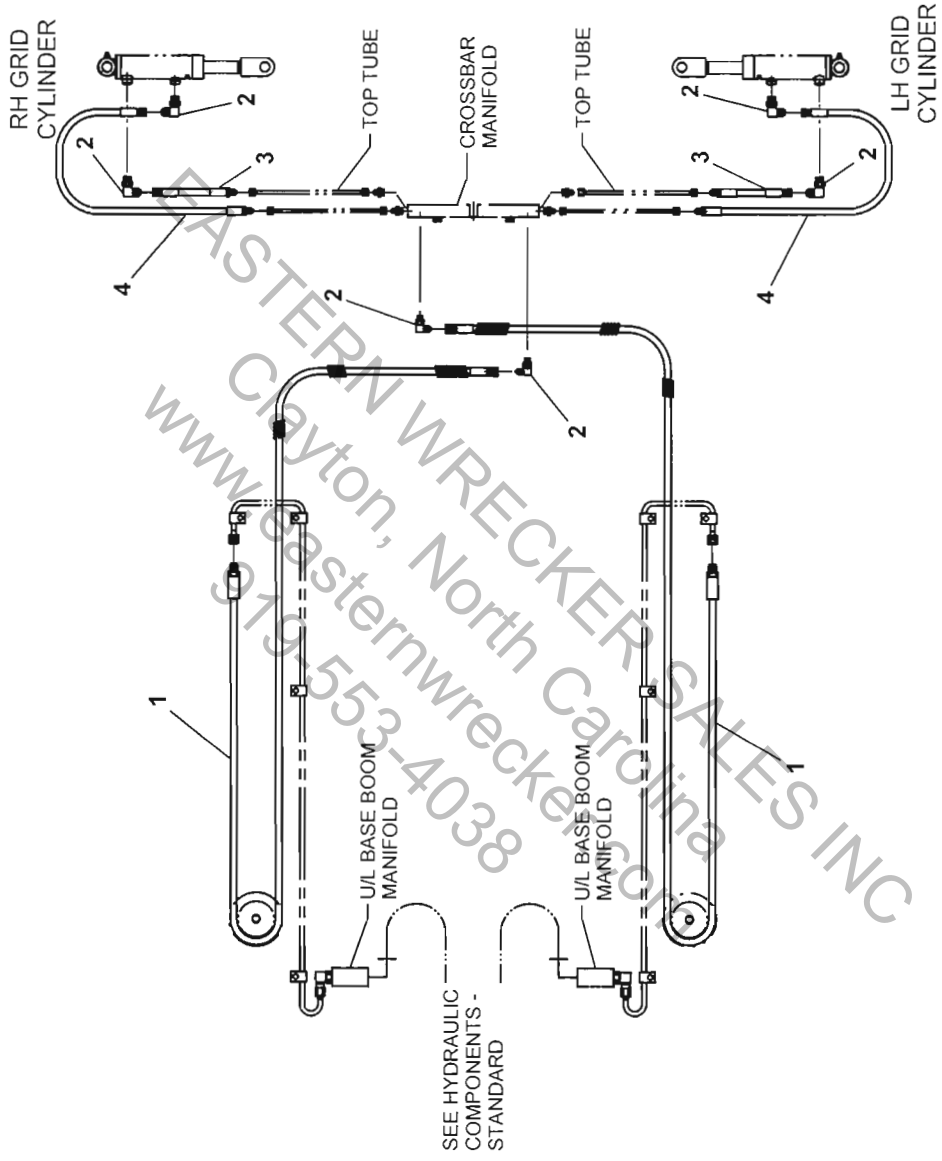


HYDRAULIC COMPONENTS - HYDRAULIC WHEEL LIFT GRID

ITEM	PART NO.	DESCRIPTION	QTY
1	4570000210	Hose Assembly	2
2	7445040445	Elbow	6
3	4570000211	Hose Assembly	2
4	4570000212	Hose Assembly	2

EASTERN WRECKER SALES INC
Clayton, North Carolina
www.easternwrecker.com
919-553-4038

HYDRAULIC COMPONENTS - HYDRAULIC WHEEL LIFT GRID



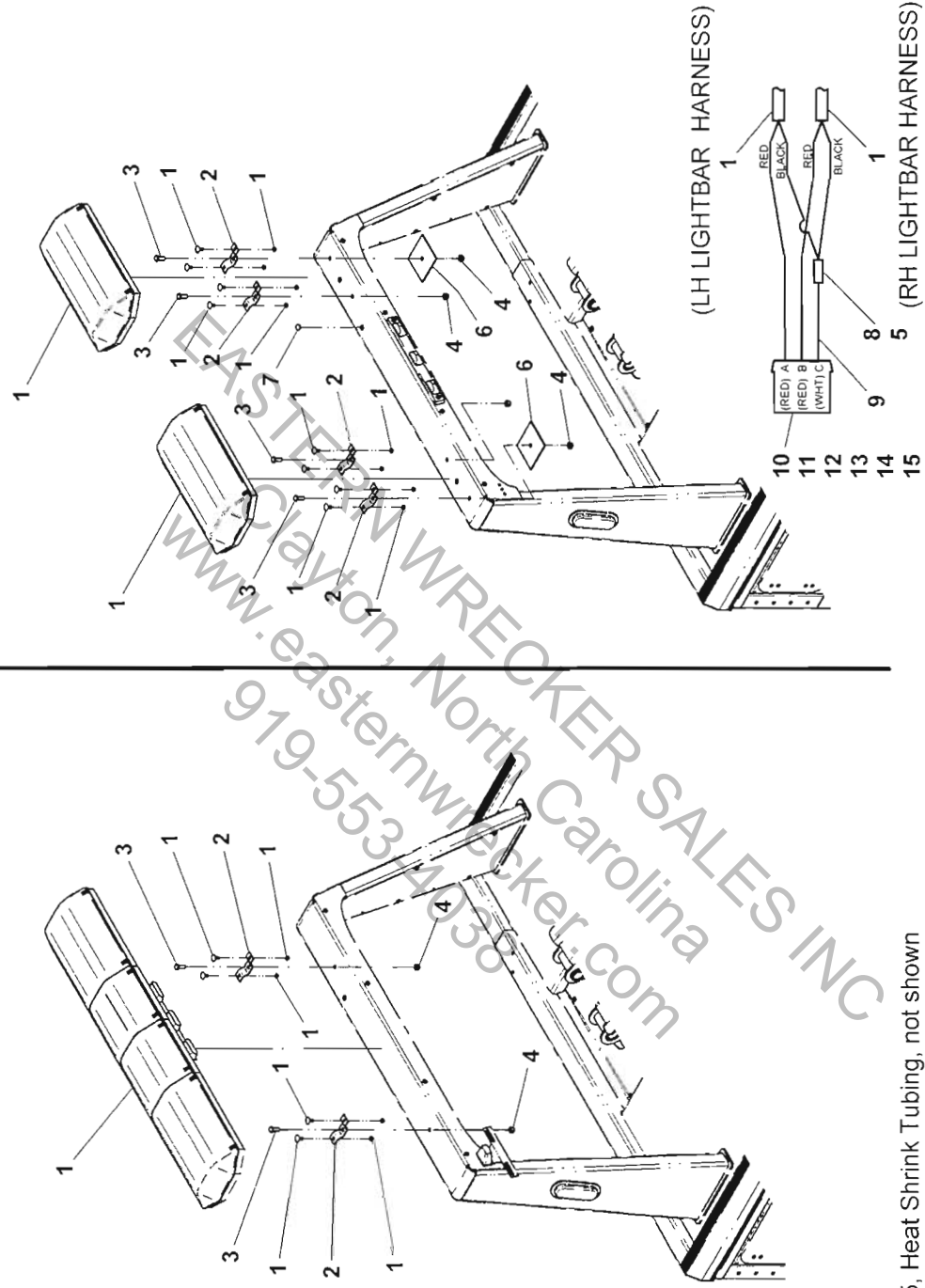


LIGHTBAR - SINGLE / DUAL

ITEM	PART NO.	DESCRIPTION	QTY
1	7590000307	Lightbar, Amber (Std) (58" Lightbar)	1
	7590000312	Lightbar, Amber (LED) (58" Lightbar)	1
	7590000336	Lightbar, Amber (Strobe) (58" Lightbar)	1
	7590000309	Lightbar, Amber (Std) (Dual 22" Lightbar)	2
	7590000332	Lightbar, Amber (Strobe) (22" Lightbar)	2
2	4178000402	Bracket (58" Lightbar)	2
	4178000402	Bracket (Dual 22" Lightbar)	4
3	7115181050	Capscrew, 0.50"-13NC x 1.25" (58" Lightbar)	2
	7115181050	Capscrew, 0.50"-13NC x 1.25" (Dual 22" Lightbar)	4
4	7660182601	Locknut, 0.50"-13NC (58" Lightbar)	2
	7660182601	Locknut, 0.50"-13NC (Dual 22" Lightbar)	4
5	7346000039	Heat Shrink Tubing	6in
6	4706005001	Plate (Dual 22" Lightbar)	2
7	7701000032	Hole Plug (Dual 22" Lightbar)	1
8	7345001914	Terminal (Dual 22" Lightbar)	1
9	8977030300	Wire, #12 ga (Dual 22" Lightbar)	6in
10	7346000097	Connector (Dual 22" Lightbar)	1
11	7346000102	Terminal (Dual 22" Lightbar)	2
12	7346000103	Wire Seal (Dual 22" Lightbar)	2
13	7346000100	Terminal (Dual 22" Lightbar)	1
14	7346000101	Wire Seal (Dual 22" Lightbar)	1
15	7346000108	Connector Lock (Dual 22" Lightbar)	1

EASTERN WRECKER SALES INC
Clayton, North Carolina
www.easternwrecker.com
919-553-4000

LIGHTBAR - SINGLE / DUAL



Item #5, Heat Shrink Tubing, not shown

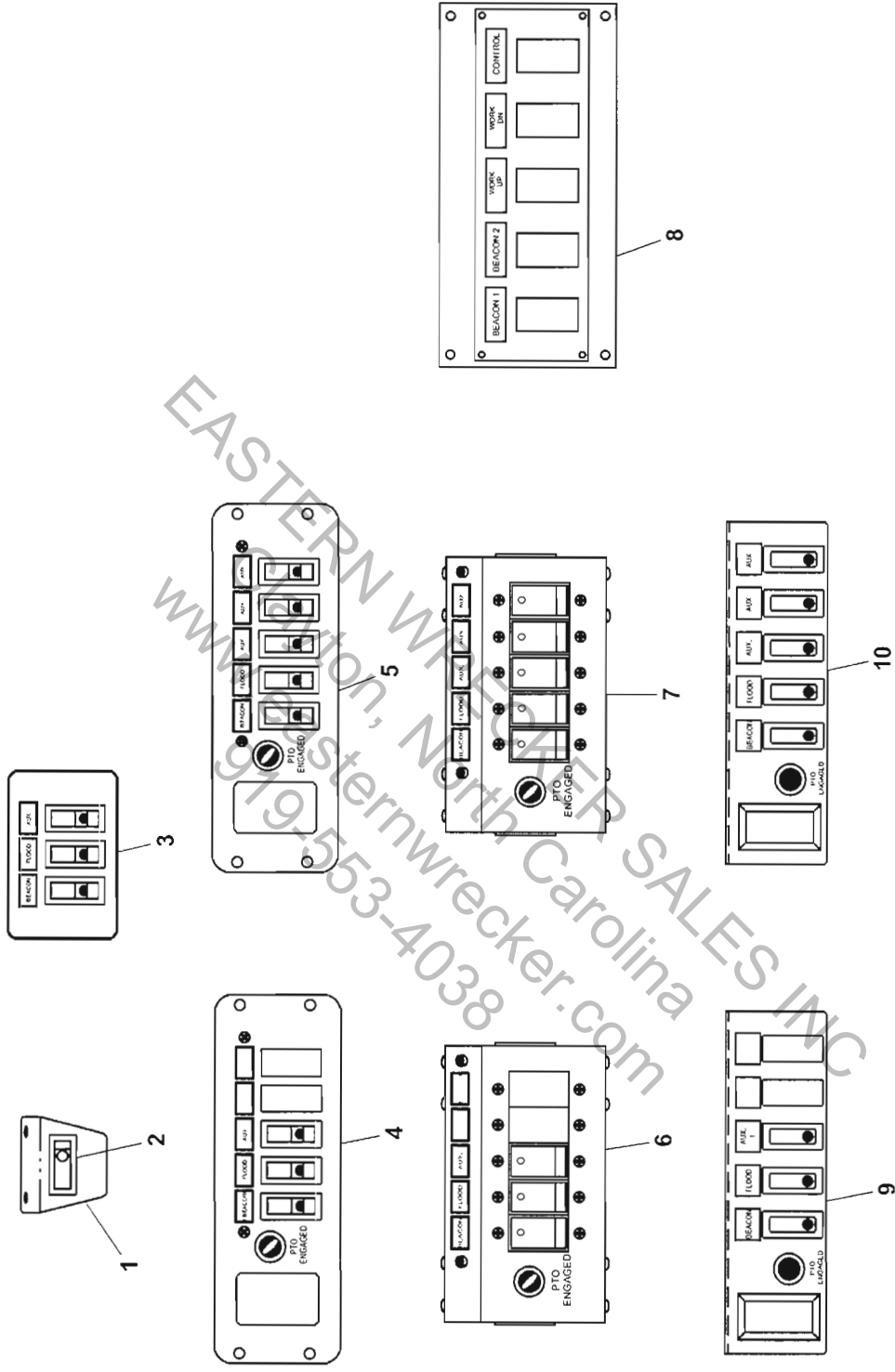


SWITCH PANELS

ITEM	PART NO.	DESCRIPTION	QTY
1	4178000403	Bracket - 1 Function Switch Panel	1
2	7870000083	Switch	1
3	7870000113	Switch Panel - 3 Function, Mini In-Dash	1
4	7870000100	Switch Panel - 3 Function, In-Dash	1
5	7870000106	Switch Panel - 5 Function, In-Dash	1
6	7870000053	Switch Panel - 3 Function, Under-Dash	1
7	7870000063	Switch Panel - 5 Function, Under-Dash	1
8	7870000089	Switch Panel - 5 Function	1
9	7870000134	Switch Panel - 5 Function, Under-Dash	1
10	7870000137	Switch Panel - 5 Function, Under-Dash	1

EASTERN WRECKER SALES INC
Clayton, North Carolina
www.easternwrecker.com
919-553-4038

SWITCH PANELS



CHAIN AND STRAPS

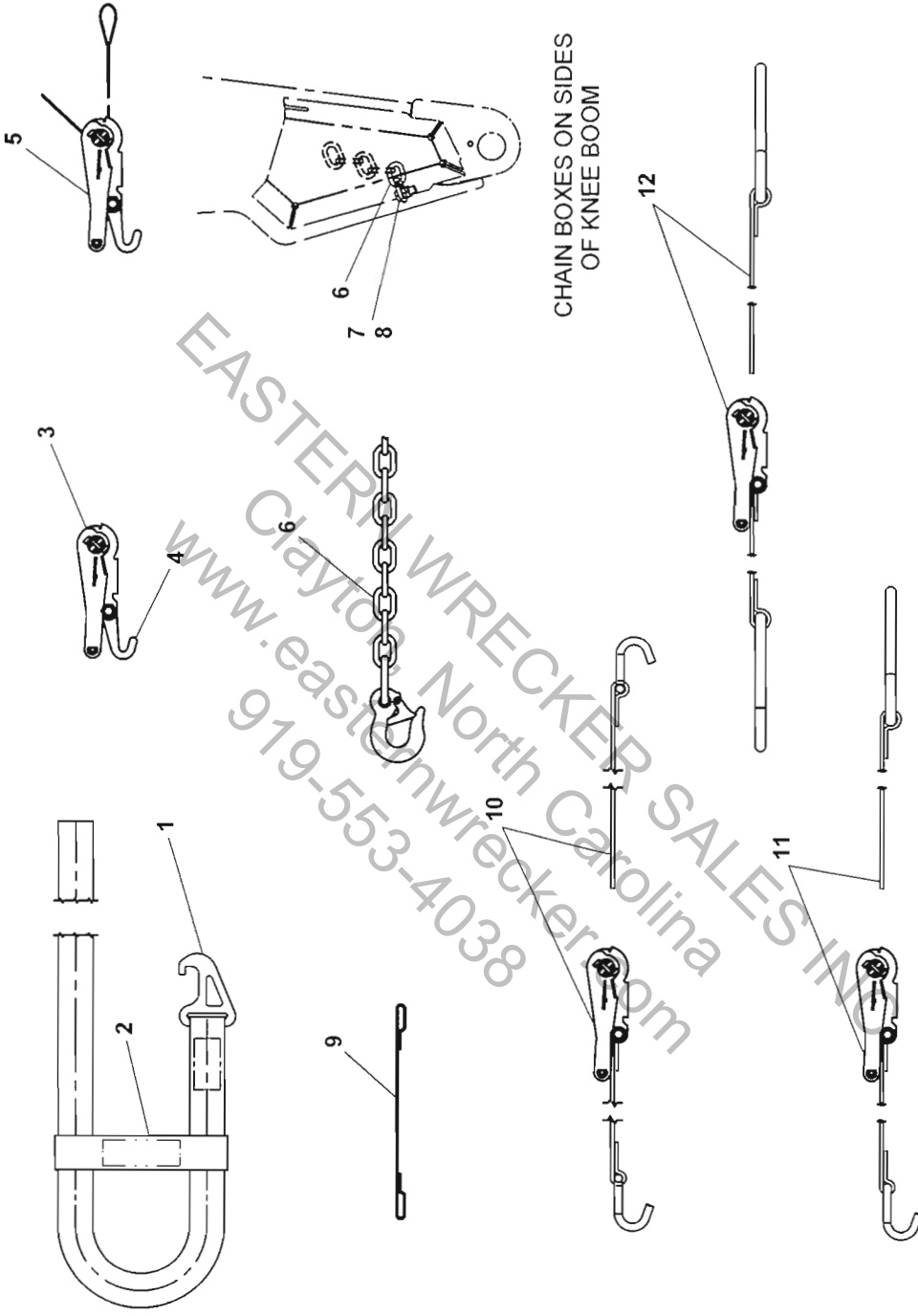
ITEM	PART NO.	DESCRIPTION	QTY
1	7894000061*	Tire Tie-Down Strap	2
2	7894000059*	Tire Tie-Down Strap Choker	2
3	7894000028*	Tire Tie-Down Strap Ratchet	2
4	7561000024*	Tire Ratchet Hook	2
5	7894000034	Wheel Lift Tire Strap	2
6	7262000040	Wheel Lift Chain	2
7	7115181050	Capscrew, 0.50"-13NC x 1.25"	2
8	7660182601	Locknut, 0.50"-13NC	2
9	7894000065+	Tie-Down Strap (Motorcycle)	2
10	7894000064+	Front Tire Tie-Down Strap (Motorcycle)	1
11	7894000066+	Rear Tie-Down Strap (Motorcycle)	2
12	7894000067+	Front Tie-Down Strap (Motorcycle)	2

EASTERN WRECKER SALES INC
 Clayton, North Carolina
 www.easternwrecker.com
 919-553-4038

+ also available in Tie-Down Kit Motorcycle, P/N 7577000375

* also available in Wheel Lift Tie-Down Strap & Ratchet Kit, P/N 7577000367

CHAIN AND STRAPS



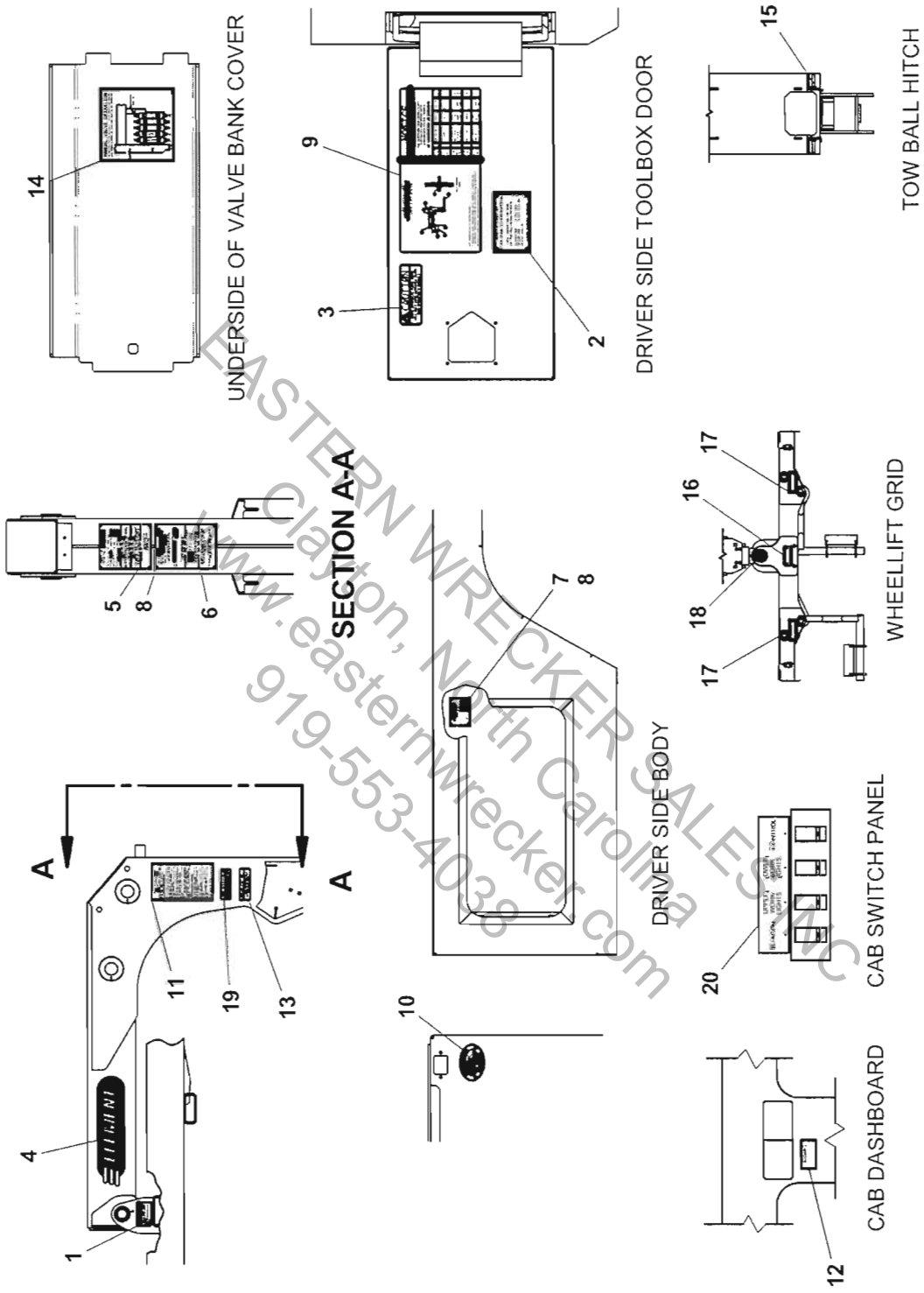


DECALS

ITEM	PART NO.	DESCRIPTION	QTY
1	7330000546	Decal - Winch Cable Wrap	1
2	7330000717	Decal - Patent	1
3	7330000034	Decal - Wheel Lift	1
4	73300000433	Jerr-Dan Nameplate	2
5	7330000287	Decal - Serial-Model Number -Rating	1
6	7330000307	Decal - Placard	1
7	7330000001	Serial Number Tag	1
8	7759000004	Pop Rivet	12
9	7330000697	Decal - Lubrication	1
10	7330000143	Decal - Made In The USA	1
11	7330000138	Decal - Wheel Lift Checklist	1
12	7330000139	Decal - Checklist Reminder	1
13	7330000122	Decal - Wheel Lift Polycarbonate	2
14	7330000699	Decal - Manual Valve Operation	1
15	7330000424	Decal - Tow Hitch	1
16	7330000036	Decal - Secure Vehicle	1
17	7330000037	Decal - Moving Parts	2
18	7330000609	Decal - Grease Required	1
19	7330000716	Decal - Lock-Out Valve (Tow Sling)	1
	7330000725	Decal - Lock-Out Valve (Recovery Sheave)	1
20	7300000630	Decal - Control Switches (Ford)	1

EASTERN WRECKER SALES INC
Clayton, North Carolina
www.easternwrecker.com
919-553-4033

DECALS





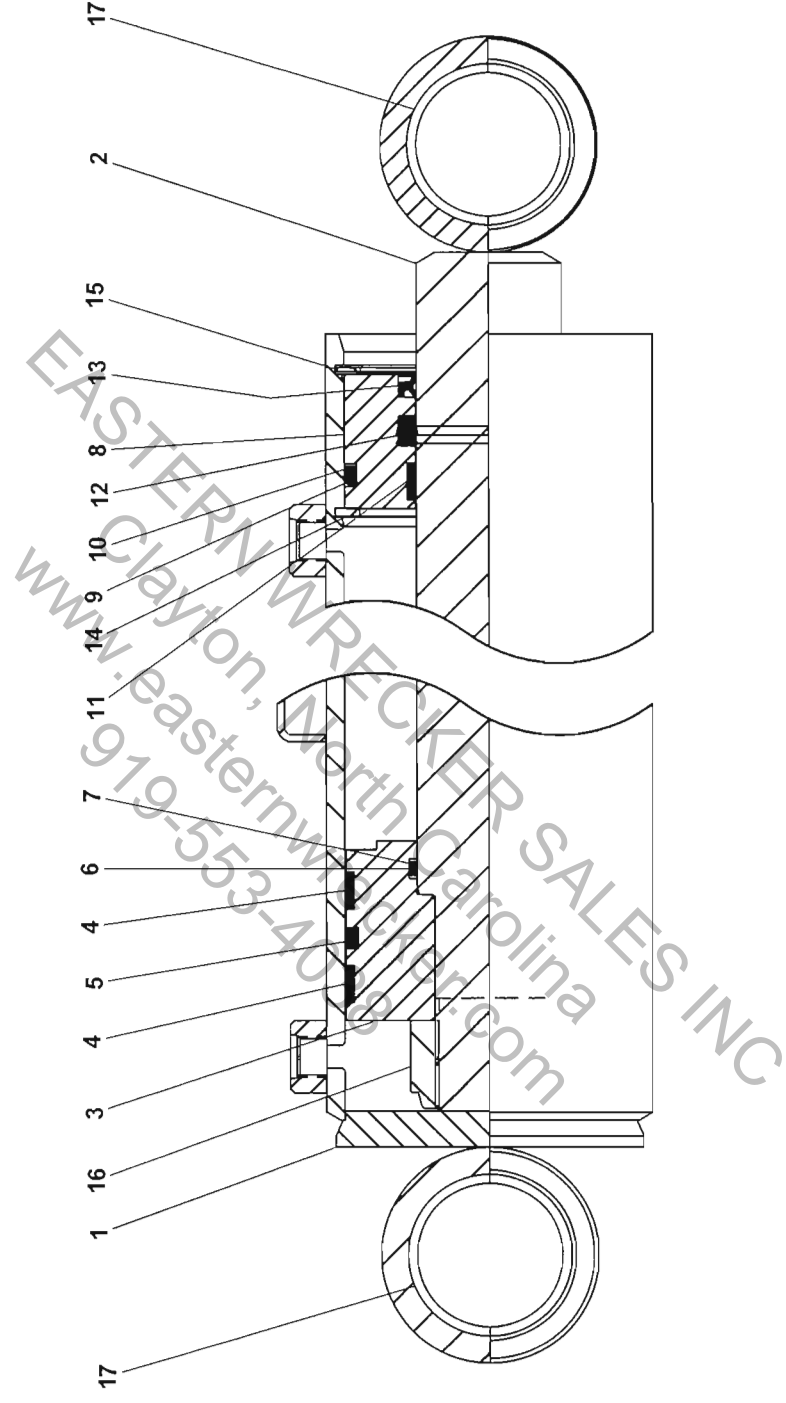
WRECKER BOOM TILT CYLINDER ASSEMBLY - P/N 3320000224

ITEM	PART NO.	DESCRIPTION	QTY
1	3071000208	Barrel Weld	1
2	3763000183	Rod Weld	1
3	4698000008*	Piston	1
4	7754000011* #	Wear Ring	2
5	7796000065* #	Piston Locking "T" Seal	1
6	7755226000* #	"O" Ring	1
7	7755226609* #	Back-Up Ring	2
8	4553000009^	Head	1
9	7755342000^ #	"O" Ring	1
10	7755342609^ #	Back-Up Ring	1
11	7754000012^ #	Wear Ring	1
12	7796000025^ #	Rod Seal	1
13	7796000011^ #	Rod Wiper Seal	1
14	7754000013 #	Retaining Ring	1
15	7754000028 #	Retaining Ring	1
16	7661000035	Locknut	1
17	7082000029	Bearing	4

EASTERN WRECKER SALES INC
Clayton, North Carolina
www.easternwrecker.com
919-553-4038

* included in Piston Assembly, P/N 3698000002
^ included in Head Assembly, P/N 3553000012
available only in Service Kit #7577250026

WRECKER BOOM TILT CYLINDER ASSEMBLY - P/N 3320000224





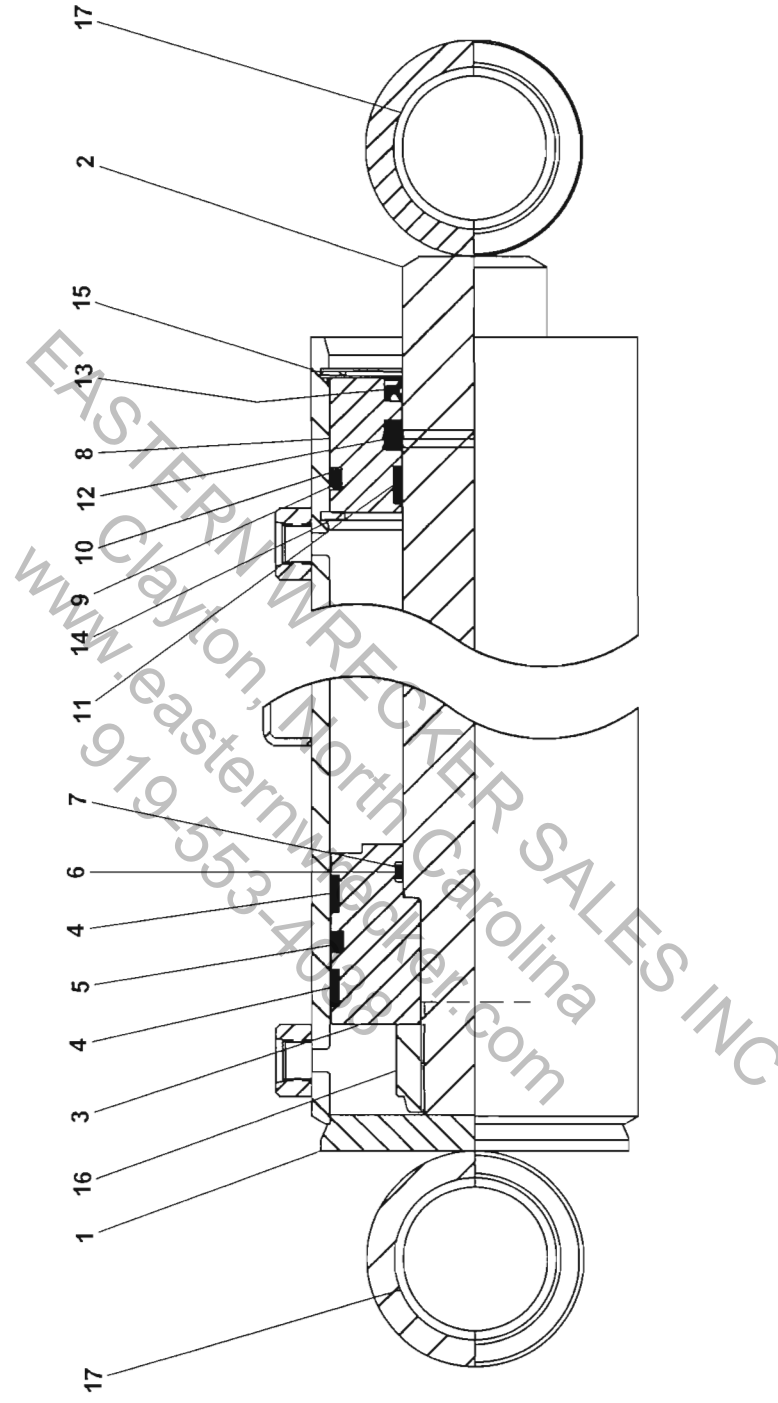
UNDERLIFT BOOM TILT CYLINDER ASSEMBLY - P/N 3320000225

ITEM	PART NO.	DESCRIPTION	QTY
1	3071000209	Barrel Weld	1
2	3763000184	Rod Weld	1
3	4698000008*	Piston	1
4	7754000011* #	Wear Ring	2
5	7796000065* #	Piston Locking "T" Seal	1
6	7755226000* #	"O" Ring	1
7	7755226609* #	Back-Up Ring	2
8	4553000009^	Head	1
9	7755342000^ #	"O" Ring	1
10	7755342609^ #	Back-Up Ring	1
11	7754000012^ #	Wear Ring	1
12	7796000025^ #	Rod Seal	1
13	7796000011^ #	Rod Wiper Seal	1
14	7754000013#	Retaining Ring	1
15	7754000028#	Retaining Ring	1
16	7661000035	Locknut	1
17	7082000029	Bearing	4

EASTERN WRECKER SALES INC
Clayton, North Carolina
www.easternwrecker.com
919-553-4038

* included in Piston Assembly, P/N 3698000002
^ included in Head Assembly, P/N 3553000012
available only in Service Kit #7577250026

UNDERLIFT BOOM TILT CYLINDER ASSEMBLY - P/N 3320000225



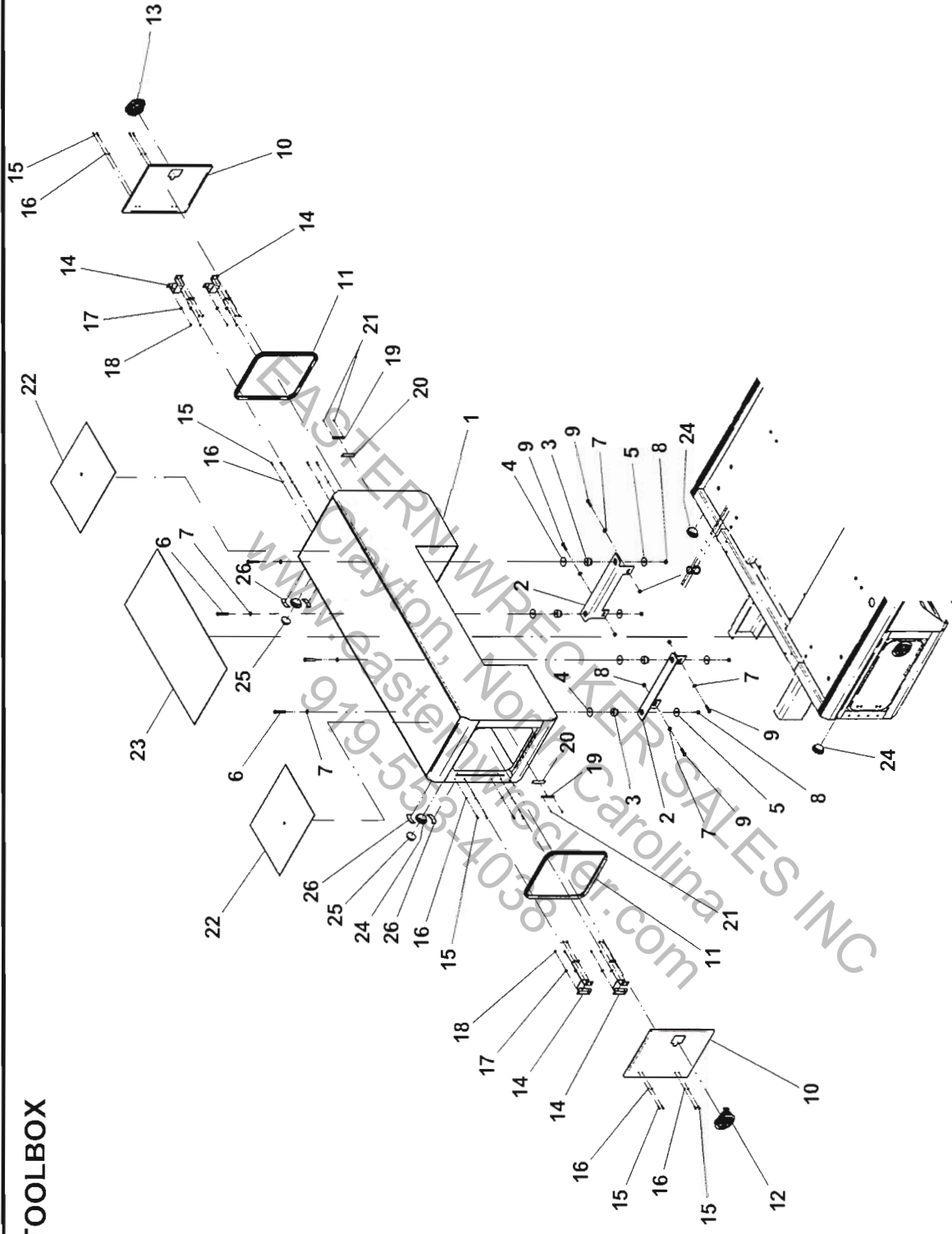


TUNNEL TOOLBOX

ITEM	PART NO.	DESCRIPTION	QTY
1	3899000121	Tunnel Toolbox Weld	1
2	4017000674	Angle	2
3	7636000005	Rubber Mount	4
4	7949000013	Washer, Head	4
5	7949000012	Washer, Tail	4
6	7115182650	Capscrew, 0.50"-13NC x 3.25"	4
7	7950180153	Flatwasher, 0.50" ID	8
8	7660182601	Locknut, 0.50"-13NC	8
9	7115181650	Capscrew, 0.50"-13NC x 2.00"	4
10	4686000208	Panel, Door	2
11	4632000053	Seal Door	2
12	7585000019	Latch, LH	1
13	7585000020	Latch, RH	1
14	7555000012	Door Hinge	4
15	7114140818	Capscrew, 0.25"-20NC x 1.00"	16
16	7949000056	Nylon Washer	16
17	7950140161	Flatwasher, 0.25" ID	16
18	7660142601	Locknut, 0.25"-20NC	16
19	4062000569	Bar	2
20	4706003611	Plate	2
21	7759000006	Pop Rivet	4
22	4679000249	Pad	2
23	4679000250	Pad	1
24	7493000009	Marker Light Grommet	4
25	7590000048	Marker Light - Amber (IND)	4
	7590000342	Marker Light - Amber (LED)	2
26	7330000498	Reflector - Amber (use with INC only)	4
27	7632046140	Moulding	140in

EASTERN WRECKER SALES INC
 Clayton, North Carolina
 www.easternwrecker.com
 919-553-4038

TUNNEL TOOLBOX



Item #27, Moulding, not shown



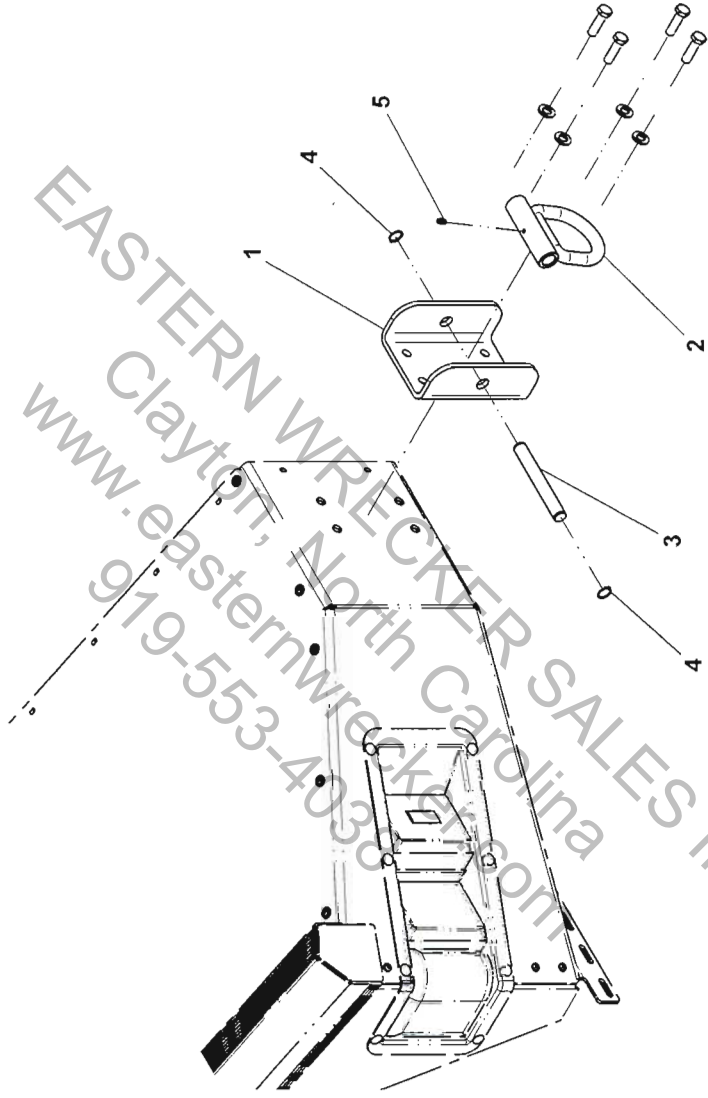


BOLT-ON D-RINGS

ITEM	PART NO.	DESCRIPTION	QTY
1	4263000705	Channel	2
2	3754000004	D-Ring Weld	2
3	4691000541	Pin	2
4	7754000022	Retaining Ring	4
5	7440030000	Grease Fitting	2

EASTERN WRECKER SALES INC
Clayton, North Carolina
www.easternwrecker.com
919-553-4038

BOLT-ON D-RINGS



Left side body shown. Typical both sides.



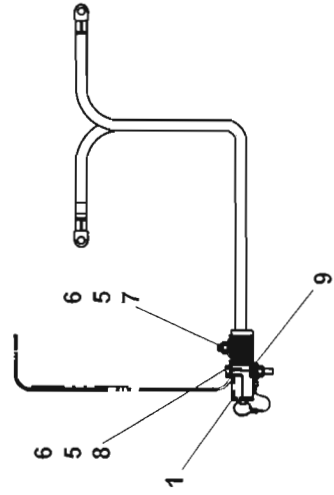


JUMP START KIT

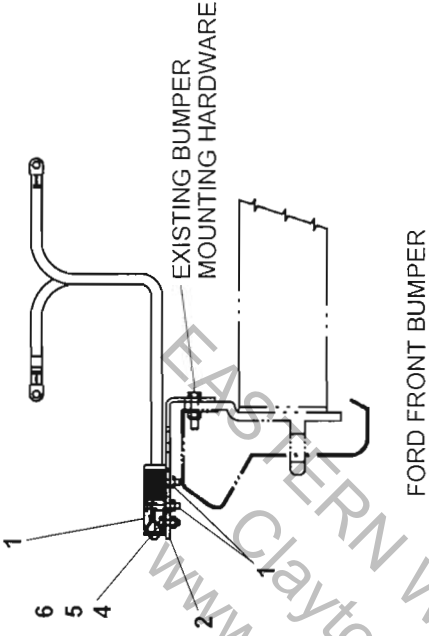
ITEM	PART NO.	DESCRIPTION	QTY
1	7002000386	Jump Start Plug (IHC)	1
	7002000385	Jump Start Plug (Ford & Chevy)	
2	4178000372	Bracket (Ford)	1
	4178000202	Bracket (Chevy)	
3	4178000203	Bracket (Chevy)	1
4	7110140605	Capscrew, 0.25"-20NC x 0.75" (Ford & Chevy)	1
5	7950140161	Flatwasher, 0.25" ID (Ford)	1
	7950140161	Flatwasher, 0.25" ID (IHC)	2
	7950140161	Flatwasher, 0.25" ID (Chevy)	3
6	7660142600	Locknut, 0.25"-20NC (Ford & Chevy)	1
	7660142600	Locknut, 0.25"-20NC (IHC)	2
7	7115141450	Capscrew, 0.25"-20NC x 1.75" (IHC)	1
8	7115141650	Capscrew, 0.25"-20NC x 2.00" (IHC)	1
9	7660140000	Hex Nut, 0.25"-20NC (IHC)	1
	7660140000	Hex Nut, 0.25"-20NC (Chevy)	2
10	7111140850	Capscrew, 0.25"-20NC x 1.00" (Chevy)	2
11	7115181050	Capscrew, 0.50"-13NC x 1.25" (Chevy)	1
12	7950180153	Flatwasher, 0.50" ID (Chevy)	1
13	7660180000	Hex Nut, 0.50"-13NC (Chevy)	1

EASTERN WRECKER SALES INC
Clayton, North Carolina
www.easternwrecker.com
919-553-4000

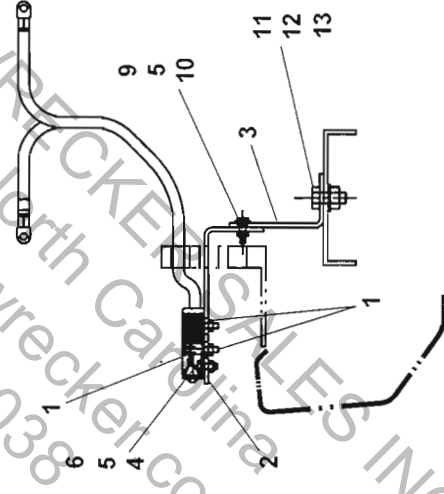
JUMP START KIT



IHC FRONT BUMPER



FORD FRONT BUMPER



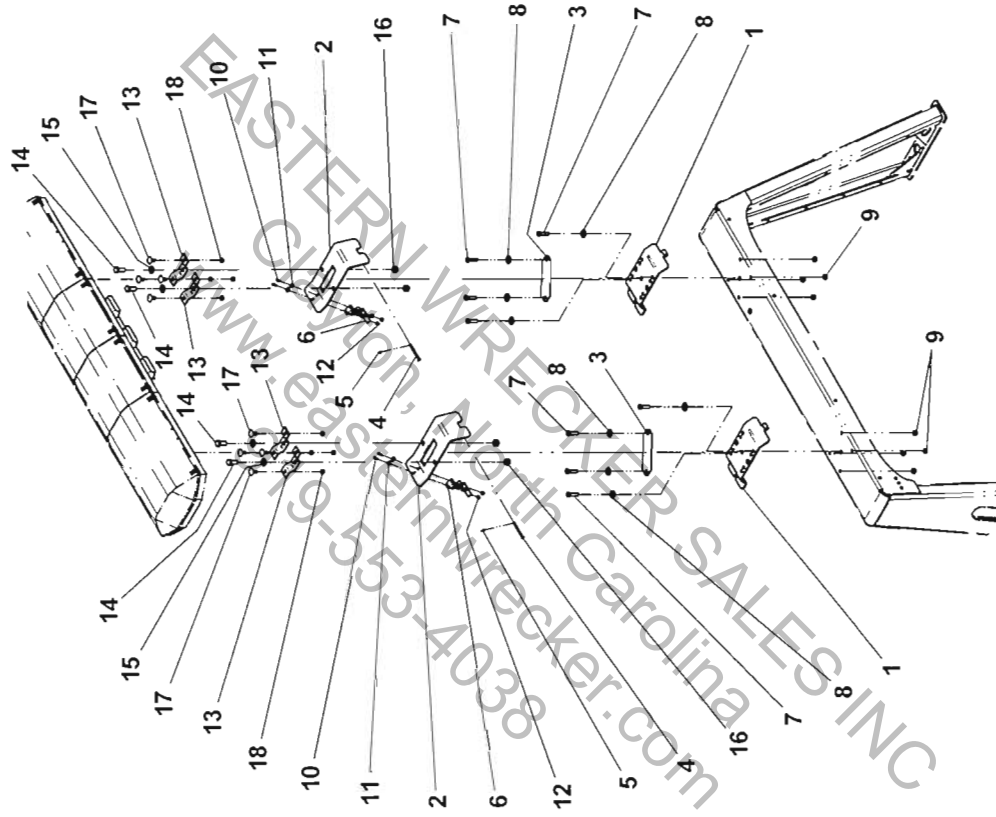
CHEVY FRONT BUMPER

FOLD DOWN LIGHTBAR BRACKET

ITEM	PART NO.	DESCRIPTION	QTY
1	3178000443	Fold Down Bracket - Bottom	1
2	3178000444	Fold Down Bracket - Top	1
3	4090000012	Belt	2
4	7690144800	Clevis Pin	2
5	7690000810	Cotter Pin	2
6	7585000001	Draw Latch	2
7	7115161250	Capscrew, 0.38"-16NC x 1.50"	8
8	7950160161	Flatwasher, 0.38" ID	8
9	7660162601	Locknut, 0.38"-16NC	8
10	7114100518	Capscrew, #10-24NC x .62"	4
11	7950100103	Flatwasher, 0.19 ID	4
12	7660102604	Locknut, #10-24NC	4
13	4178000402	Bracket	4
14	7115180950	Capscrew, 0.50"-13NC x 1.12"	4
15	7950180252	Flatwasher, 0.50" ID	4
16	7660182601	Lockwasher, 0.50"-13NC	4
17	7115150664	Carriage Bolt, 0.31"-18NC x .75"	8
18	7660152601	Lockwasher, 0.31" ID	8

EASTERN WRECKER SALES INC
 Clayton, North Carolina
 www.easternwrecker.com
 919-553-4038

FOLD DOWN LIGHTBAR BRACKET



Standard Lightbar shown



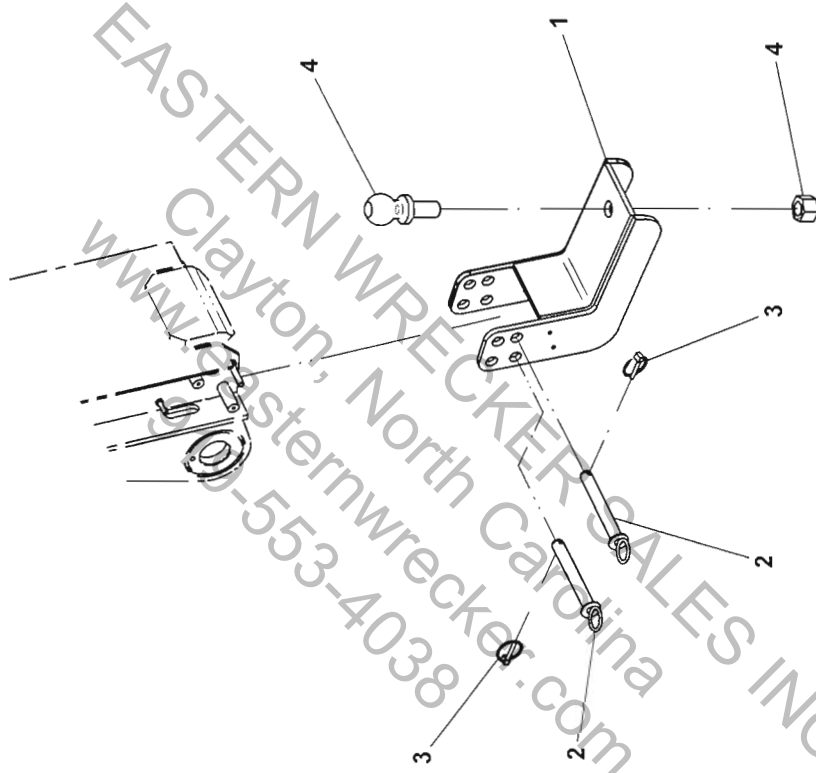


BALL HITCH MOUNTING BRACKET

ITEM	PART NO.	DESCRIPTION	QTY
1	3178000507	Bracket Weld	1
2	3691000195	Pin Weld	2
3	7691000027	Pin Linch	2
4	7056000007	Ball (1.88" dia)	1
	7056000008	Ball (2.00" dia)	
	7056000009	Ball (2.31" dia)	

EASTERN WRECKER SALES INC
Clayton, North Carolina
www.easternwrecker.com
919-553-4038

BALL HITCH MOUNTING BRACKET



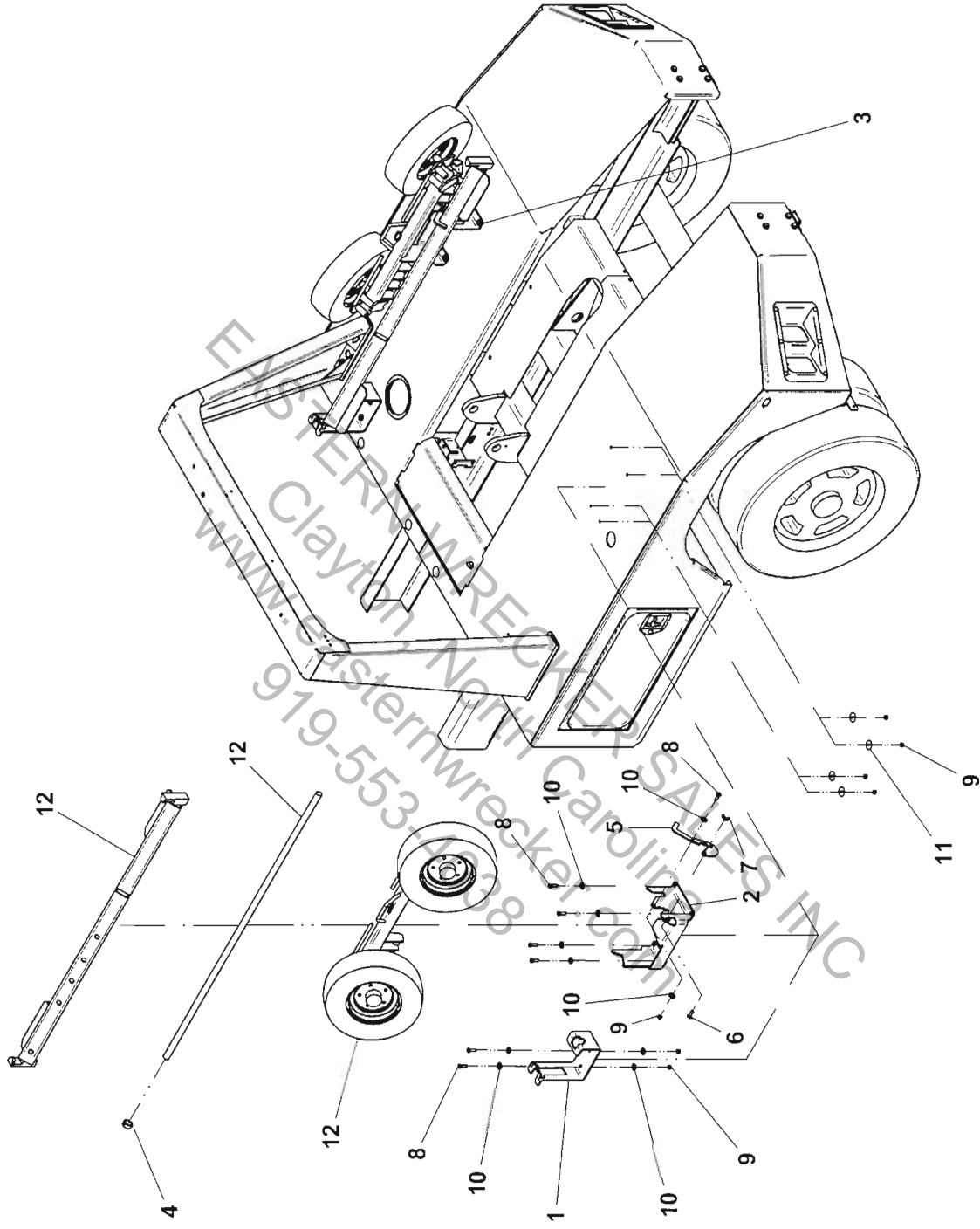
EASTERN WRECKER SALES INC
Clayton, North Carolina
www.easternwrecker.com
800-553-4038

SELF-LOADING DOLLY

ITEM	PART NO.	DESCRIPTION	QTY
1	4178000654	Bracket	2
2	4178000655	Bracket LH	1
3	4178000656	Bracket RH	1
4	7283000004	Collar	1
5	4706005244	Plate	2
6	7120000024	Capscrew, 0.38"-16NC x 1.00"	2
7	7660162100	Wingnut, 0.38"-16NC	2
8	7114161050	Capscrew, 0.38"-16NC x 1.25"	14
9	7660162604	Locknut, 0.38"-16NC	14
10	7950160163	Flatwasher, 0.38" ID	20
11	7949000055	Fender Washer	8
12	7002000022	Dollies - Self-Loading (Steel Axle)	1
	7002000380	Dollies - Self-Loading (Aluminum Axle)	1

EASTERN WRECKER SALES INC
 Clayton, North Carolina
 www.easternwrecker.com
 919-553-4038

SELF-LOADING DOLLY



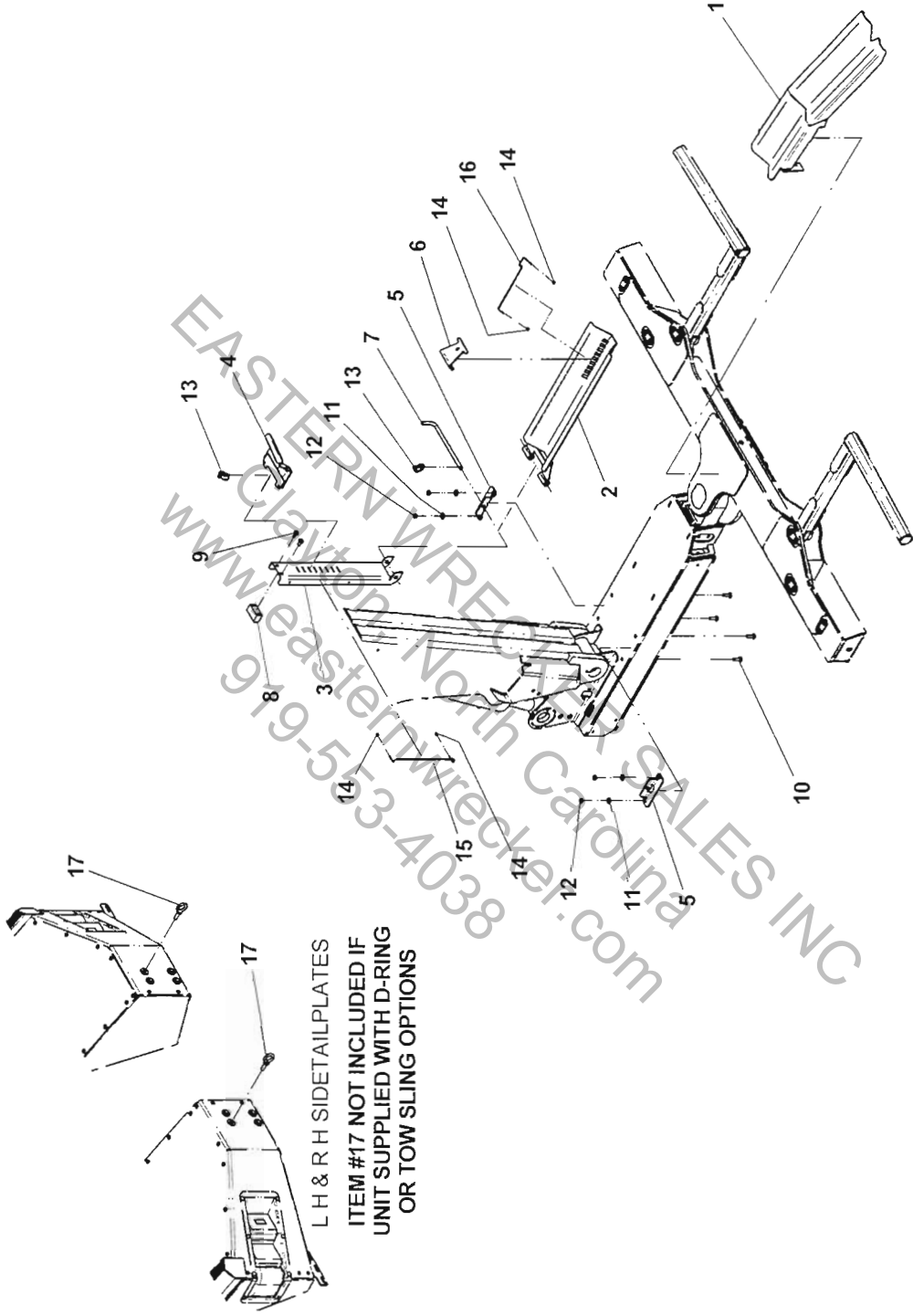


MOTORCYCLE ADAPTER

ITEM	PART NO.	DESCRIPTION	QTY
1	3178000470	Bracket Weld - Rear Ramp	1
2	2178000468	Bracket Weld - Lower	1
3	4263000710	Channel	1
4	3178000469	Bracket Weld - Tire Stop	1
5	4178000636	Bracket	2
6	4178000639	Bracket	1
7	4691000547	Pin	1
8	4679000275	Pad	1
9	7790161253	Screw, 0.38"-16NC x .75"	2
10	7115161064	Carriage Bolt, 0.38"-16NC x 1.25"	4
11	7950160161	Flatwasher, 0.38" ID	4
12	7660162601	Locknut, 0.38"-16NC	4
13	7691000047	Pin Linch	2
14	7819000012	Compression Sleeve	4
15	4248000002	Wire Rope	1
16	4248000003	Wire Rope	1
17	7120000052	Eye Bolt, 0.50"-13NC x 1-50"	2

EASTERN WRECKER SALES INC
Clayton, North Carolina
www.easternwrecker.com
919-553-4038

MOTORCYCLE ADAPTER



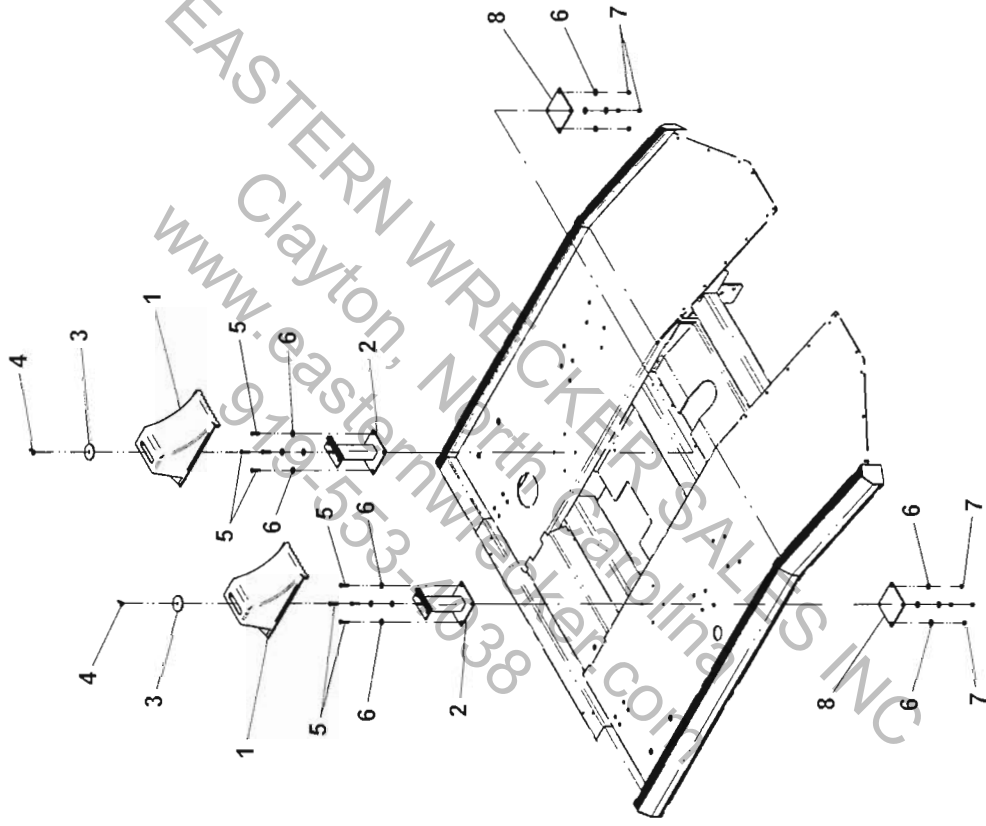


WHEEL CHOCKS

ITEM	PART NO.	DESCRIPTION	QTY
1	7002000120	Wheel Chock	2
2	3636000012	Mount Weld	2
3	4949000016	Flatwasher, 0.41" ID	2
4	7660162100	Wing Nut, 0.38"-16NC	2
5	7111161250	Capscrew, 0.38"-16NC x 1.50"	8
6	7950160161	Flatwasher, 0.38" ID	16
7	7660162601	Locknut, 0.38"-16NC	8
8	4706005553	Plate	2

EASTERN WRECKER SALES INC
Clayton, North Carolina
www.easternwrecker.com
919-553-4038

WHEEL CHOCKS



TOW SLING

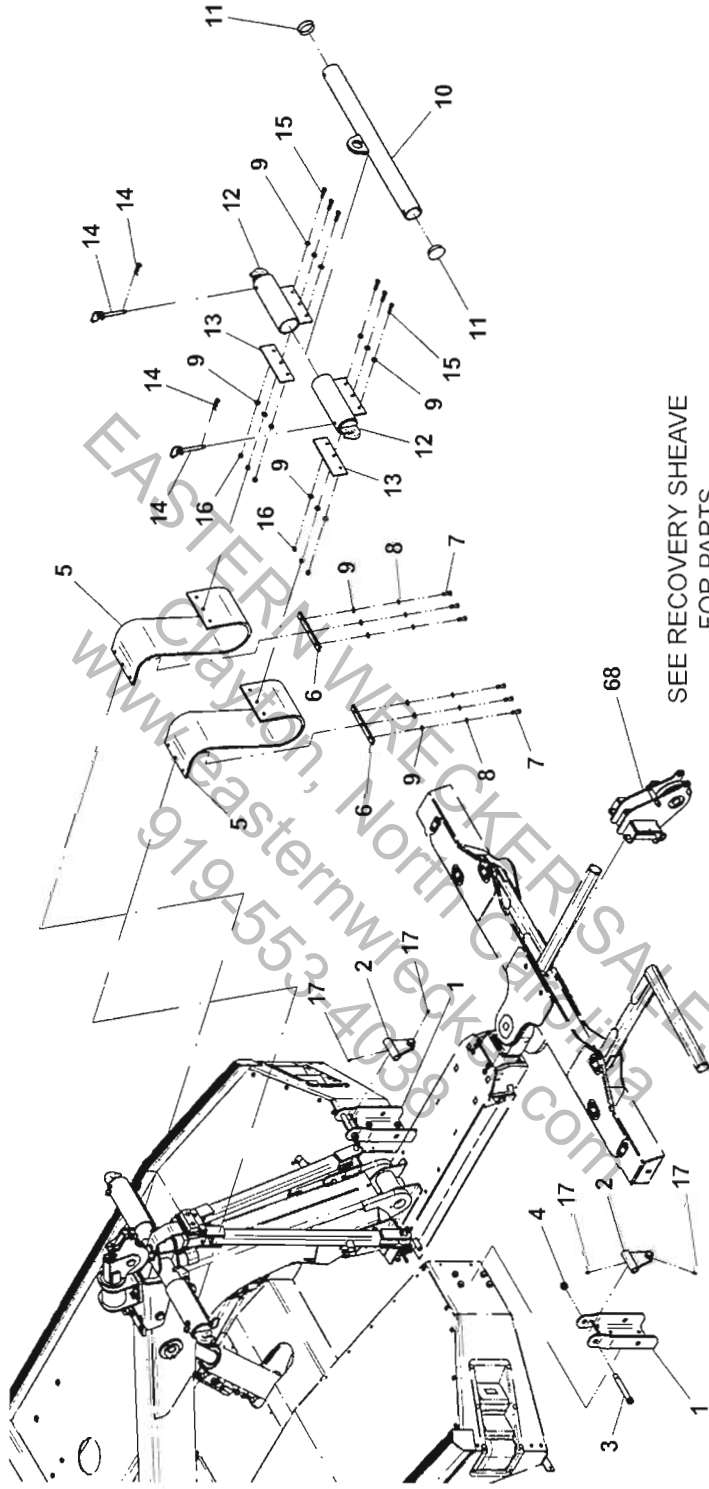
ITEM	PART NO.	DESCRIPTION	QTY	ITEM	PART NO.	DESCRIPTION	QTY
1	4178000621	Bracket	2	34	4178000734	R H Bracket	1
2	3309000007	U-Joint Weld	2	35	7115161064	Carriage Bolt, 0.38"-16NC	4
3	7115223806	Shoulder Bolt, 0.63"-11NC x 4.75"	2	36	7950160161	Flatwasher, 0.38" ID	4
4	7660202601	Locknut, 0.63"-11NC	6	37	7935000345	Valve	1
5	7822000003	Sling Belt	2	38	7445060698	Fitting	1
6	4706005679	Plate	2	39	7445060646	Elbow	1
7	7115161050	Capscrew, 0.38"-16NC x 1.25"	6	40	7912000315	Tube Assembly	1
8	7950160000	Lockwasher, 0.38" ID	6	41	3178000523	Bracket Weld	1
9	7950160141	Flatwasher, 0.38" ID	18	42	7115221650	Capscrew, 0.75"-10NC x .50"	2
10	3500800077	Sling Anchor Head Weld	1	43	7950220141	Flatwasher, 0.75" ID	4
11	7701000003	Plug	4	44	7660222601	Locknut, 0.75"-10NC	4
12	3912000046	Sling Strap Mount Weld	2	45	7115222050	Capscrew, 0.75"-10NC x 2.50"	2
13	4706005678	Plate	2	46	7115181250	Capscrew, 0.50"-13NC x 1.50"	2
14	7691000077	Hitch Pin	4	47	7950180141	Flatwasher, 0.50" ID	4
15	7115161450	Capscrew, 0.38"-16NC x 1.75"	6	48	7660182601	Locknut, 0.50"-13NC	4
16	7660162601	Locknut, 0.38"-16NC	10	49	4178000741	Bracket	1
17	7440300000	Grease Fitting	9	50	7115181450	Capscrew, 0.50"-13NC x 1.75"	2
18	3500800078	Sling Head Assembly	1	51	4706005700	Plate	1
19	3912000045	Sling End Cap Weld	2	52	3170000358	Boom Nose Weld - Single	1
20	3020000007	Hold Back Arm Assembly	2	53	3249000033	Sheave Support Weld	1
21	7691000053	Hitch Pin	2	54	7082000031#	Bearing	2
22	4254000006*	Rod Cap	2	55	7754000018	Retaining Ring	1
23	4763000184*	Rod	2	56	7809000013	Sheave	1
24	7843000006*	Compression Spring	2	57	7082000032	Bearing	1
25	4691000188*	Pin	2	58	4691000513	Pin	1
26	4706005748	Plate	1	59	7754000006	Retaining Ring	1
27	7105223250	Capscrew, 0.75"-16NF x 4.00"	2	60	4811000760+	Sheet	2
28	7661000017	Locknut, 0.75"-16NC	2	61	4706004852+	Plate	1
29	7189000023	Bumper	1	62	4706004851+	Plate	2
30	7114140818	Capscrew, 0.25"-20NC x 1.00"	2	63	7115141664+	Carriage Bolt, 0.25"-20NC x 2.00"	3
31	7950140143	Flatwasher, 0.25" ID	2	64	7950140153+	Flatwasher, 0.25" ID	3
32	7660142604	Locknut, 0.25"-20NC	2	65	7660142604+	Locknut, 0.25"-20NC	3
33	4178000733	L H Bracket	1	66	7115202050	Capscrew, 0.63"-11NC x 2.50"	4
				67	7950200141	Flatwasher, 0.63" ID	4
				68	3249000041	Cross Bar Sheave Assembly	1

* also available in Arm Weld Outer Tube, P/N 3020000005

also available in Boom Nose Weld - Single, P/N 3170000358

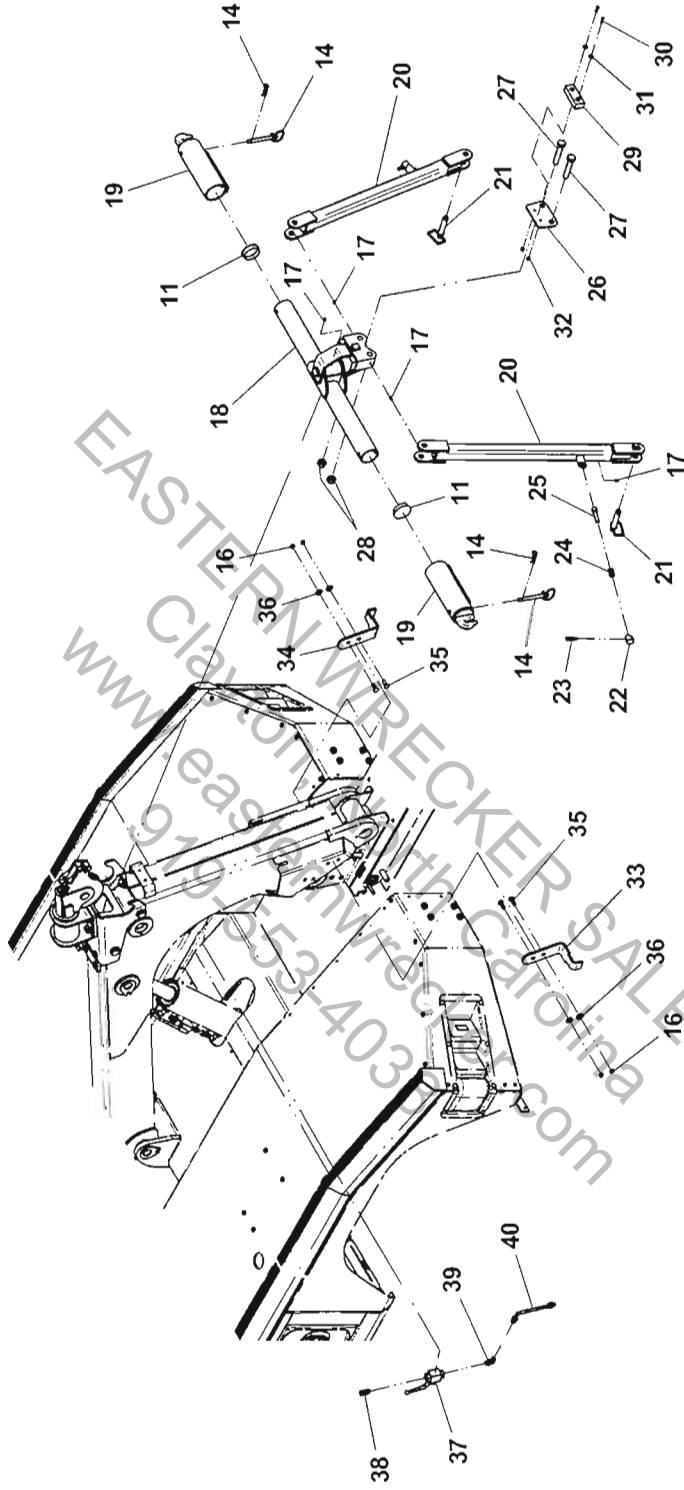
+ also available in Cable Guide Assembly, P/N 3249000034

TOW SLING

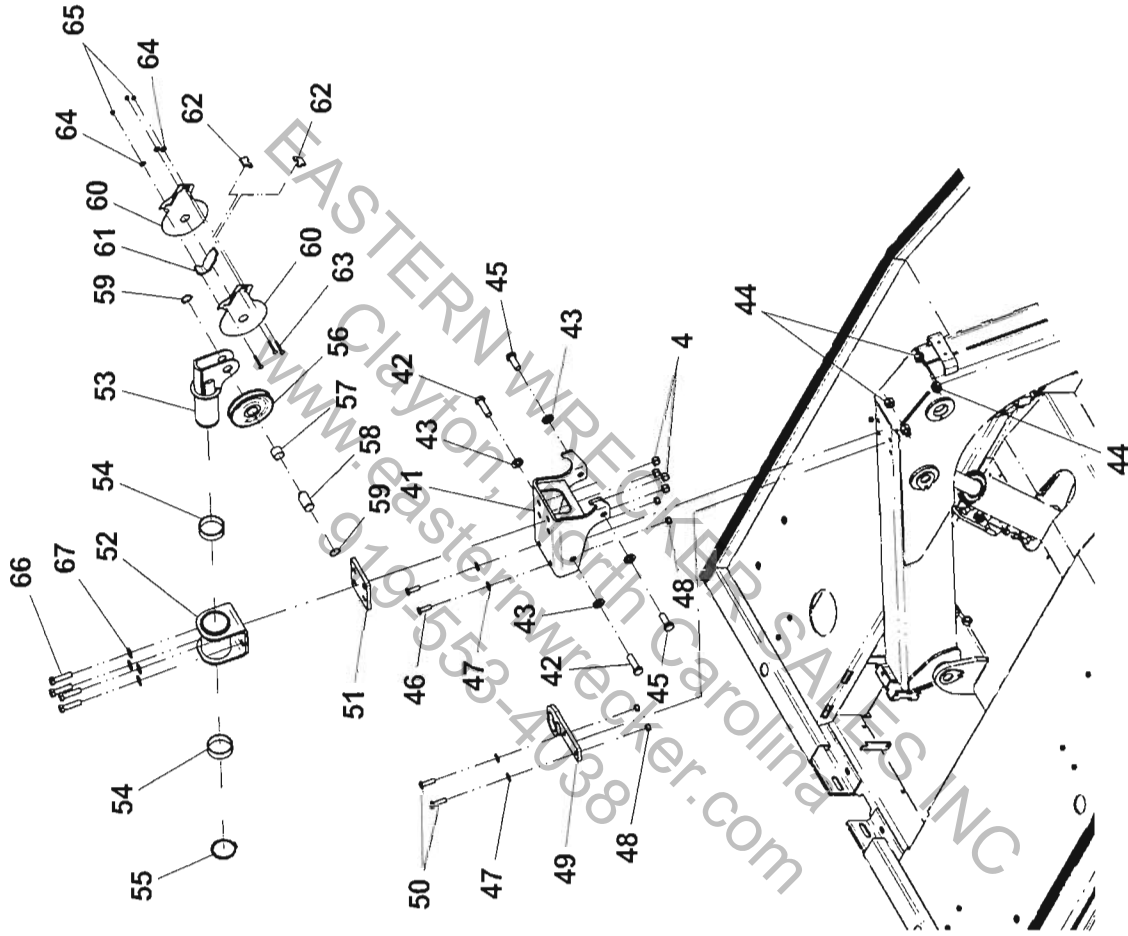


SEE RECOVERY SHEAVE
FOR PARTS

TOW SLING



TOW SLING





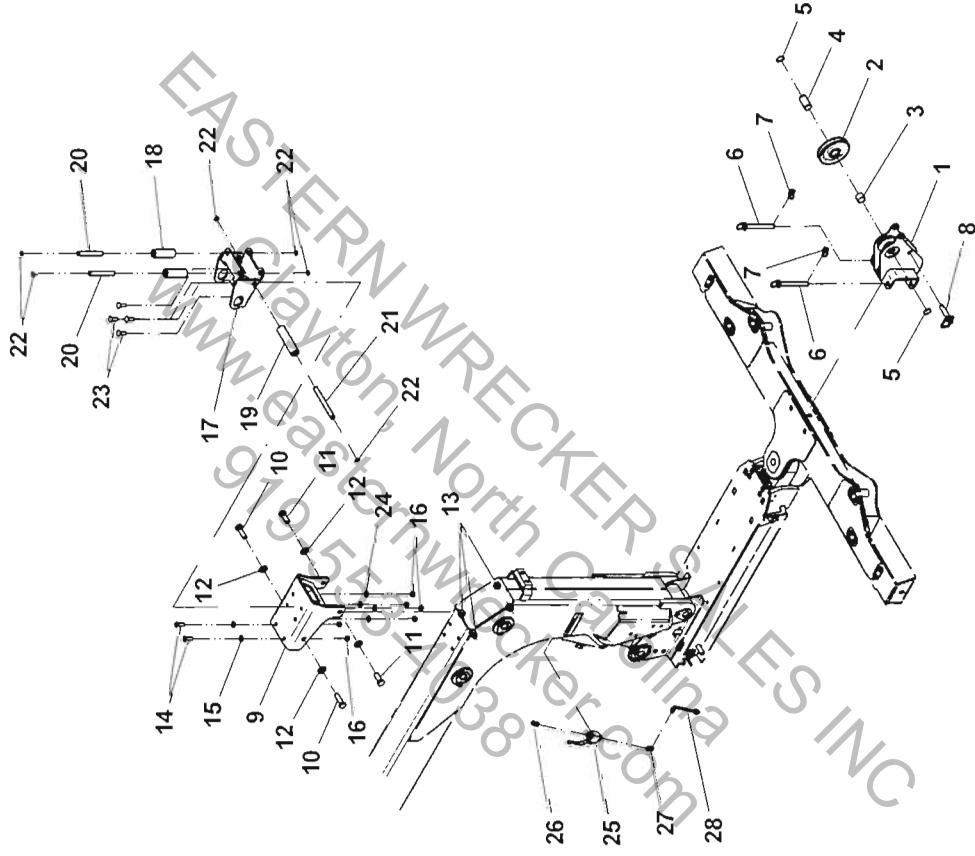
RECOVERY SHEAVE

ITEM	PART NO.	DESCRIPTION	QTY
1	3249000040*	Sheave Weld	1
2	7809000013*	Sheave	1
3	7082000032*	Bearing	1
4	4691000572*	Pin	1
5	7754000006*	Retaining Ring	2
6	3691000195*	Pin Weld	2
7	7691000027*	Linch Pin	2
8	7691000053*	Hitch Pin	1
9	3178000533	Bracket Weld	1
10	7115222050	Capscrew, 0.75"-10NC x 2.50"	2
11	7115221650	Capscrew, 0.75"-10NC x 2.00"	2
12	7950220141	Flatwasher, 0.75" ID	4
13	7660222601	Locknut, 0.75"-10NC	4
14	7115181250	Capscrew, 0.50"-13NC x 1.50"	2
15	7950180141	Flatwasher, 0.50" ID	2
16	7660182601	Locknut, 0.50"-13NC	6
17	3178000511#	Bracket Weld	1
18	4912000325#	Tube	2
19	4912000423#	Tube	1
20	4691000568#	Pin	2
21	4691000567#	Pin	1
22	7754000022#	Retaining Ring	6
23	7115181264#	Carriage Bolt, 0.50"-13NC x 1.50"	4
24	7950180153	Flatwasher, 0.50" ID	4
25	7935000345	Valve	1
26	7445060698	Fitting	1
27	7445060646	Elbow	1
28	7912000315	Tube Assembly	1

EASTERN WRECKER SALES INC
 Clayton, North Carolina
 www.easternwrecker.com
 919-553-4038

* also available in Cross Bar Sheave Assembly, P/N 3249000041
 # also available in Cable Guide Assembly, P/N 3249000039

RECOVERY SHEAVE



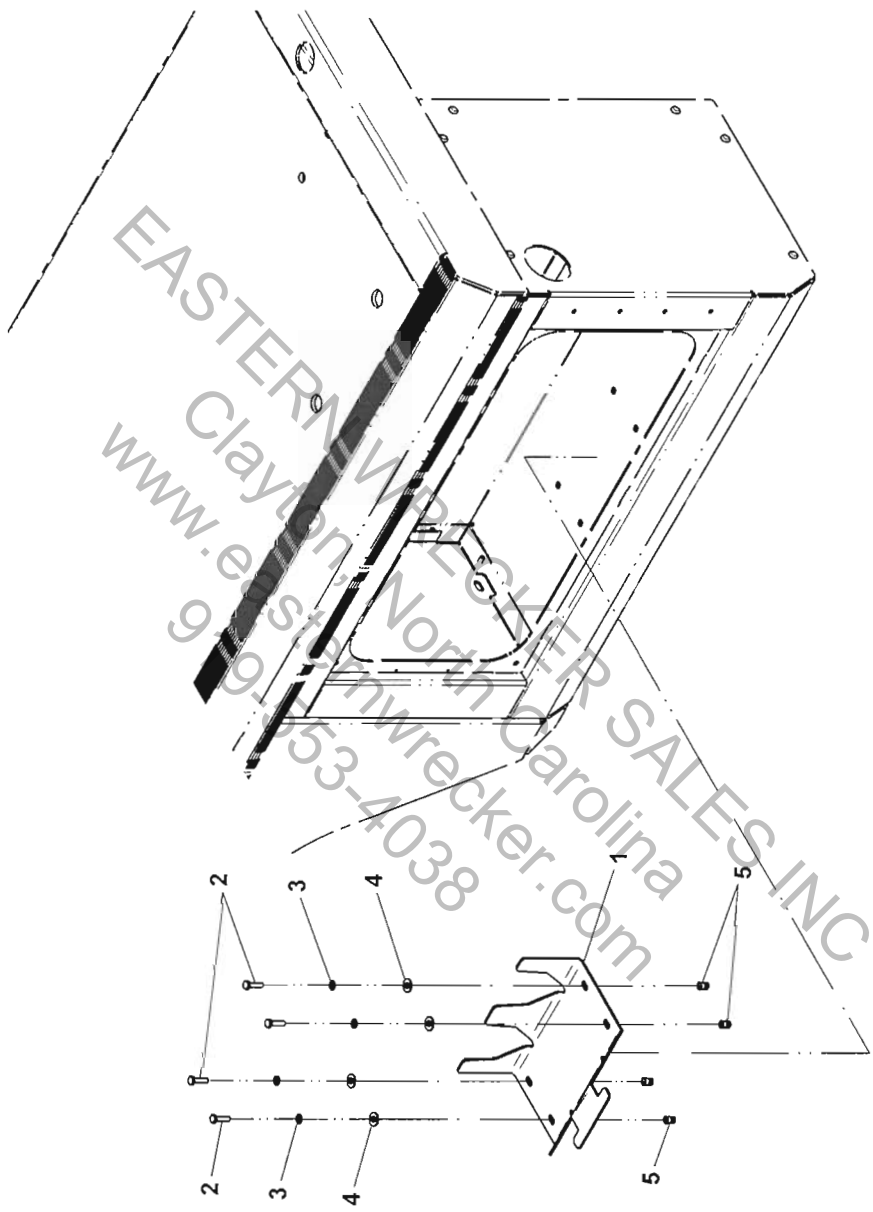


L-ARM SPACER STORAGE

ITEM	PART NO.	DESCRIPTION	QTY
1	4178000721	Bracket	1
2	7115140850	Capscrew, 0.25"-20NC x 1.00"	4
3	7950140000	Lockwasher, 0.25" ID	4
4	7950140161	Flatwasher, 0.25" ID	4
5	7413000002	Nutsert, 0.25"-20NC	4

EASTERN WRECKER SALES INC
Clayton, North Carolina
www.easternwrecker.com
919-553-4038

L-ARM SPACER STORAGE



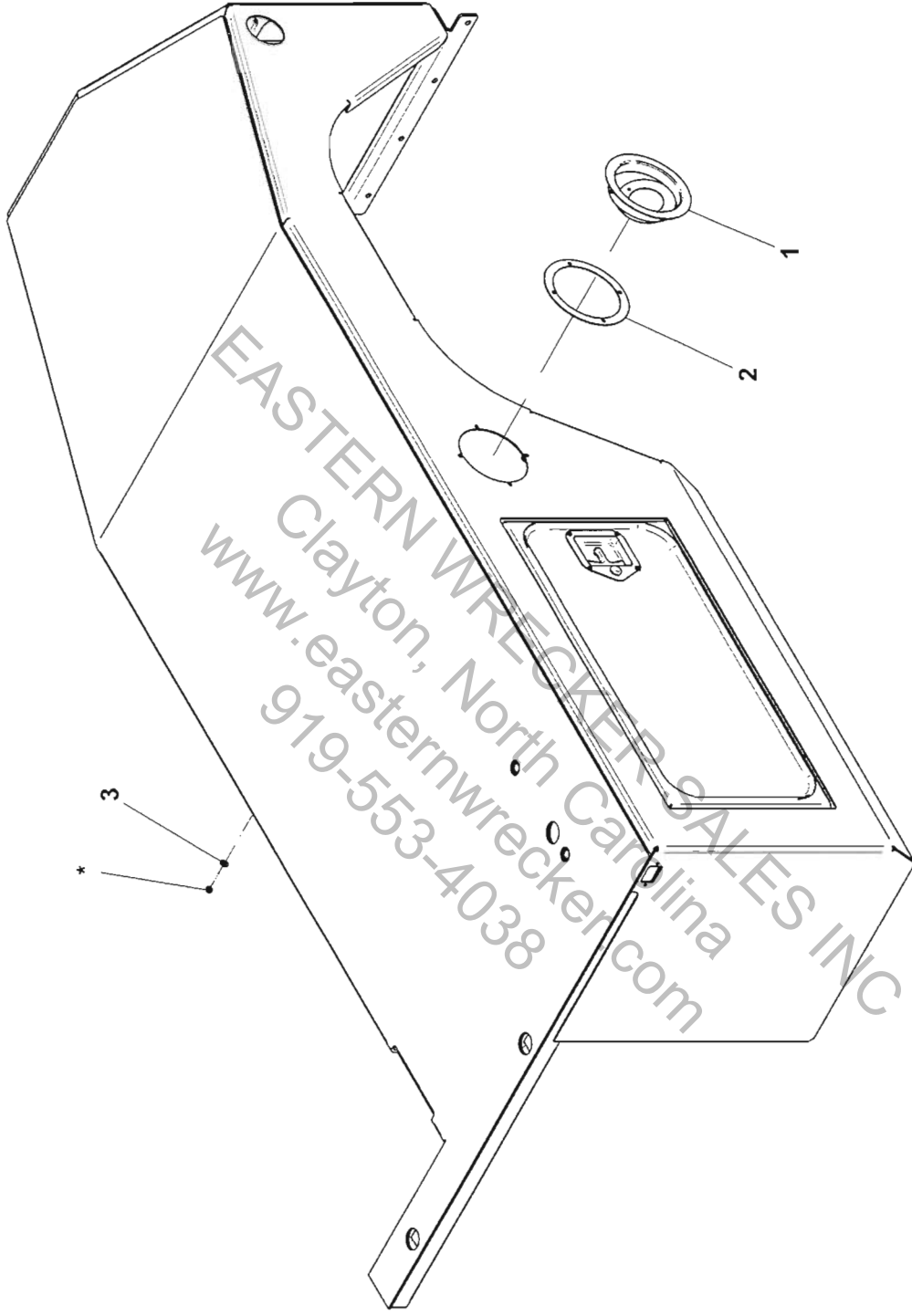


FUEL FILLER

ITEM	PART NO.	DESCRIPTION	QTY
1	7449000019	Fuel Bezel	1
2	7796000100	Gasket	1
3	7950100151	Flatwasher, 0.19" ID	4

EASTERN WRECKER SALES INC
Clayton, North Carolina
www.easternwrecker.com
919-553-4038

FUEL FILLER



EASTERN WRECKER SALES INC
Clayton, North Carolina
www.easternwrecker.com
919-553-4038

* - nuts included with fuel bezel

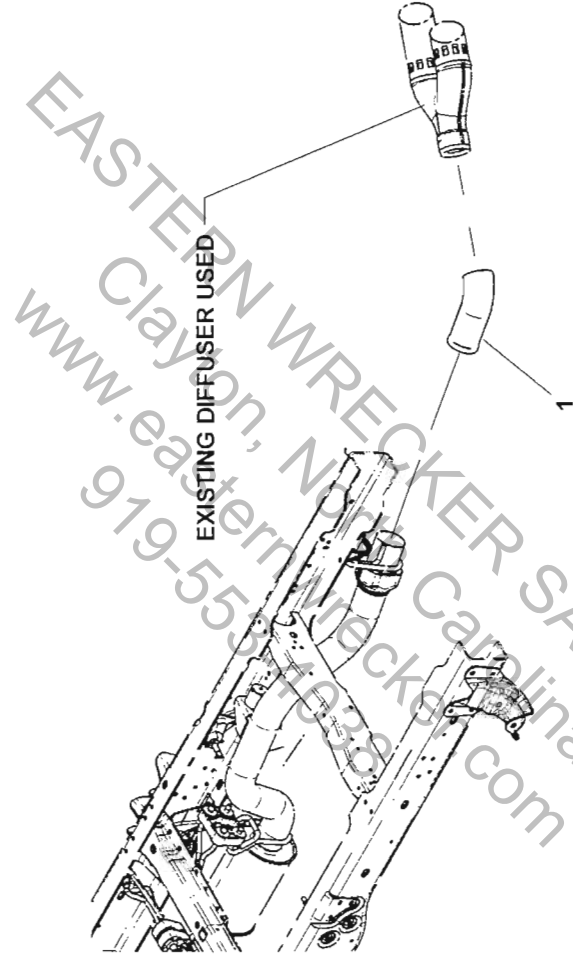


FORD DIESEL 08 EXHAUST ALTERATION

ITEM	PART NO.	DESCRIPTION	QTY
1	7696000069	Elbow Pipe	1

EASTERN WRECKER SALES INC
Clayton, North Carolina
www.easternwrecker.com
919-553-4038

FORD DIESEL 08 EXHAUST ALTERATION





ACCESSORY EQUIPMENT

ITEM	PART NO.	DESCRIPTION	QTY
1	5525000752	Magnetic Tow Lights	1
2	7002000449	Suction Mounted Tow Lights	1
3	7002000448	Wheel Chock	1
4	7002000404	Fire Extinguisher	1
5	7002000285	Reflective Triangles	1
6	7002000521	Remote Control Transmitter Holder	1
7	7002000447	Valve Stem Extension Kit	1
8	7002000217	Simulators - N6670	1
	7002000353	Simulators - N6680	
	7002000518	Simulators - ND1907	
	7002000322	Simulators - NF19	
	7002000494	Simulators - NF23	
	7002000461	Simulators - NF25	
	7002000411	Simulators - NH4860	
	7002000210	Simulators - NH50972	
	7002000396	Simulators - NH8494	
	7002000238	Simulators - NH8495	

EASTERN WRECKER SALES INC
Clayton, North Carolina
www.easternwrecker.com
919-553-4038

ACCESSORY EQUIPMENT





THIS PAGE INTENTIONALLY LEFT BLANK

EASTERN WRECKER SALES INC
Clayton, North Carolina
www.easternwrecker.com
919-553-4038