

MPL-NGS STANDARD DUTY WRECKER PARTS MANUAL

S/N (0230005342) TO PRESENT

JERR-DAN

An Oshkosh Corporation Company

13224 Fountainhead Plaza
Hagerstown, MD 21742
Phone (717) 597-7111
www.jerr-dan.com

5-376-000221
Rev A



© 2018 Jerr-Dan Corporation. All Rights Reserved

This manual covers the following Jerr-Dan Models:

MPL-NGS

Jerr-Dan Corporation strives to provide information that is accurate, complete and useful. Descriptions and illustrative material contained within this manual are as accurate as known at the time of publication and are subject to change, without notice, as a result of continuous product improvements. Jerr-Dan reserves the right to amend the information in this document at any time without prior notice.

Information contained in this manual reflects how this vehicle was built at the factory. Modifications or additions by the distributor or owner are not reflected in this manual.

This parts manual does not include service parts information for the commercial chassis (IHC, Ford, GM, etc.). That information is provided by the chassis manufacturer.

When ordering parts, please refer to your unit's Serial Number and Model Number. This information is be found on the aluminum tag riveted to the inside of the driver's side rear compartment of the main body.



Additional or replacement manuals can be ordered by calling Jerr-Dan Parts at 717-597-7111. Price and availability will be quoted at time of the request.

Please report comments and/or errors by contacting Jerr-Dan Corporation's Technical Publications Department by e-mail at technicalpublications@jerr-dan.com or by FAX on 717-485-7162.

Manufactured under one or more of the following patents: 5,575,606; 5,672,042; 5,697,741; 5,713,714; 5,722,810; 5,782,596; 5,839,775 and 6,315,515 B1 with other Patents Pending.

Jerr-Dan and the Jerr-Dan logo are registered trademarks and Run Hard is a service mark of Jerr-Dan Corporation, Hagerstown, MD USA.

The material in this document is confidential and the property of Jerr-Dan Corporation. No part of this document may be photocopied, Reproduced or translated to another language without the express written consent of Jerr-Dan Corporation.

EFFECTIVITY PAGE

November 1, 2018 - Original Issue of Manual - Rev. A

Eastern Wrecker Sales Inc

TABLE OF CONTENTS

SECTION 1 - SUBFRAME	9	UNDERLIFT LEVEL STOP.....	84
SUBFRAME INSTALLATION.....	10	ELECTRICAL ASSEMBLY CONTROLS.....	86
Hydraulic Tank.....	12	ELECTRICAL WIRED CONTROLS.....	88
HYDRAULIC TANK RESERVOIR ASSEMBLY.....	14	ELECTRICAL ASSEMBLY ANTI-STALL, 2011-2016 FORD.....	90
SECTION 2 - BOOM	17	ELECTRICAL ASSEMBLY ANTI-STALL, 2008 FORD.....	92
KNEE BOOM INSTALLATION.....	18	SECTION 5 - CYLINDER	95
UNDERLIFT BOOM INSTALLATION HYD FIXED GRID.....	20	BOOM LIFT CYLINDER ASSEMBLY.....	96
UNDERLIFT ASSEMBLY HYDRAULIC GRID.....	22	UNDERLIFT TILT CYLINDER ASSEMBLY.....	98
UNDERLIFT BOOM INSTALLATION MAIN GRID.....	24	Cylinder Assembly - 7320000077.....	100
UNDERLIFT BOOM ASSEMBLY MANUAL GRID.....	26	Cylinder Assembly - 7320000064.....	102
GRID SYSTEM MANUAL.....	28	SECTION 6 - HYDRAULIC	105
GRID SYSTEM PIVOTING.....	30	HYDRAULIC LINES AND FITTINGS.....	106
Hydraulic Grid Assembly.....	32	Valve Assembly Parker.....	110
L-Arm Storage Installation.....	34	Underlift Hose Track Assembly.....	112
Bracket, Tow Ball.....	36	SPR HOSE INSTALLATION 137" WB GM G-CP.....	114
WINCH INSTALLATION 8K RAMSEY.....	38	SPR HOSE INSTALLATION 144" WB, DG D-CP.....	116
Winch Assembly 8K RH.....	40	SPR HOSE INSTALLATION 140" WB, 2011-2016 FORD.....	118
Cable Tensioner Installation.....	42	SPR HOSE INSTALLATION 140" WB FORD D-PT.....	120
SECTION 3 - BODY	45	SPR HOSE INSTALLATION 140" WB, 2011-2016 FORD D-CP.....	122
BODY INSTALLATION.....	46	SPR HOSE INSTALLATION 164" WB, 2011-2016 FORD D-CP.....	124
DECK ASSEMBLY - LH.....	48	SPR HOSE INSTALLATION 145" WB, 2017+ FORD PTO.....	126
DECK ASSEMBLY - RH.....	50	SPR HOSE INSTALLATION 167-169" WB, 2017+ FORD PTO.....	128
FENDER Installation FLARE 3.50" LIGHT DUTY.....	52	SPR HOSE INSTALLATION 179" WB, 2017+ FORD PTO.....	130
FENDER Installation FLARE 1.62" LIGHT DUTY.....	54	SPR HOSE INSTALLATION 192" WB, 2017+ FORD PTO.....	132
FENDER Installation FLARE FLUSH LIGHT DUTY.....	56	SPR HOSE INSTALLATION 203" WB, 2017+ FORD PTO.....	134
Mud Flaps.....	58	SECTION 6 - ELECTRICAL	137
Tunnel Toolbox Installation.....	60	BODY WIRING INSTALLATION.....	138
Tunnel Toolbox Installation.....	62	Lights, Pylon, LED, Marker, 12V 1PR.....	140
STONE GUARD KIT, ALUMINUM BODY.....	64	Lights, Pylon, LED, Marker, 12V 3PR.....	142
Stone Guard Kit Aluminum Tunnel Toolbox.....	66	Lightbar, Amber, Code3, 58", 10 Light Head, 12V.....	144
34" HIGH BODY MTD STEEL LIGHT PYLON.....	68	Light, D.O.T. ID Bar, No Lightbar 12V.....	146
38" HIGH BODY MTD STEEL LIGHT PYLON.....	70	Lightbar, Amber, Whelen, 60", 12V.....	148
Pylon 28" Toolbox MTD Alum - 12V.....	72	Lightbar, Amber, Code3, 58", 10 Light Head, 12V.....	150
Pylon 28" Toolbox MTD Alum 3 MRK Lights - 12V.....	74	Backup Alarm Installation - 97Db.....	152
Pylon 33" Toolbox MTD Alum - 12V.....	76	Backup Alarm Installation - Variable.....	154
Pylon 42" Toolbox MTD Alum - 12V.....	78	Switch Panel, 2 Function.....	156
Fold Down Light Bar.....	80	Switch Panel, 4 Function 11-16 Ford OEM F450/550.....	158
SECTION 4 - CONTROL	83	Switch Panel, 4 Function 2011+ Ford F650/750.....	160

Switch Panel, 5 Function In-Dash 2013 Dodge.....	162
SECTION 8 - DECAL.....	165
DECAL INSTALLATION.....	166
SECTION 9 - ACCESSORIES.....	169
LOW ANGLE RECOVERY SHEAVE, SWIVEL HEAD.....	170
Motorcycle Tow Bracket Installation.....	172
Tow Accesory 5th Wheel.....	174
Upper Work Light Installation.....	176
Lower Work Light Installation.....	178
Wireless Remote Installation.....	180
WIRELESS REMOTE CONTROL 5 FUNCTION.....	182
Wireless Remote Holder Installation.....	184
KIT, FUEL CAN STORAGE.....	186
Backup Camera W/ DVR Installation.....	188
Backup Camera Installation.....	190

Eastern Wrecker Sales Inc

Eastern Wrecker Sales Inc

THIS PAGE INTENTIONALLY LEFT BLANK

Eastern Wrecker Sales Inc

SECTION 1 - SUBFRAME

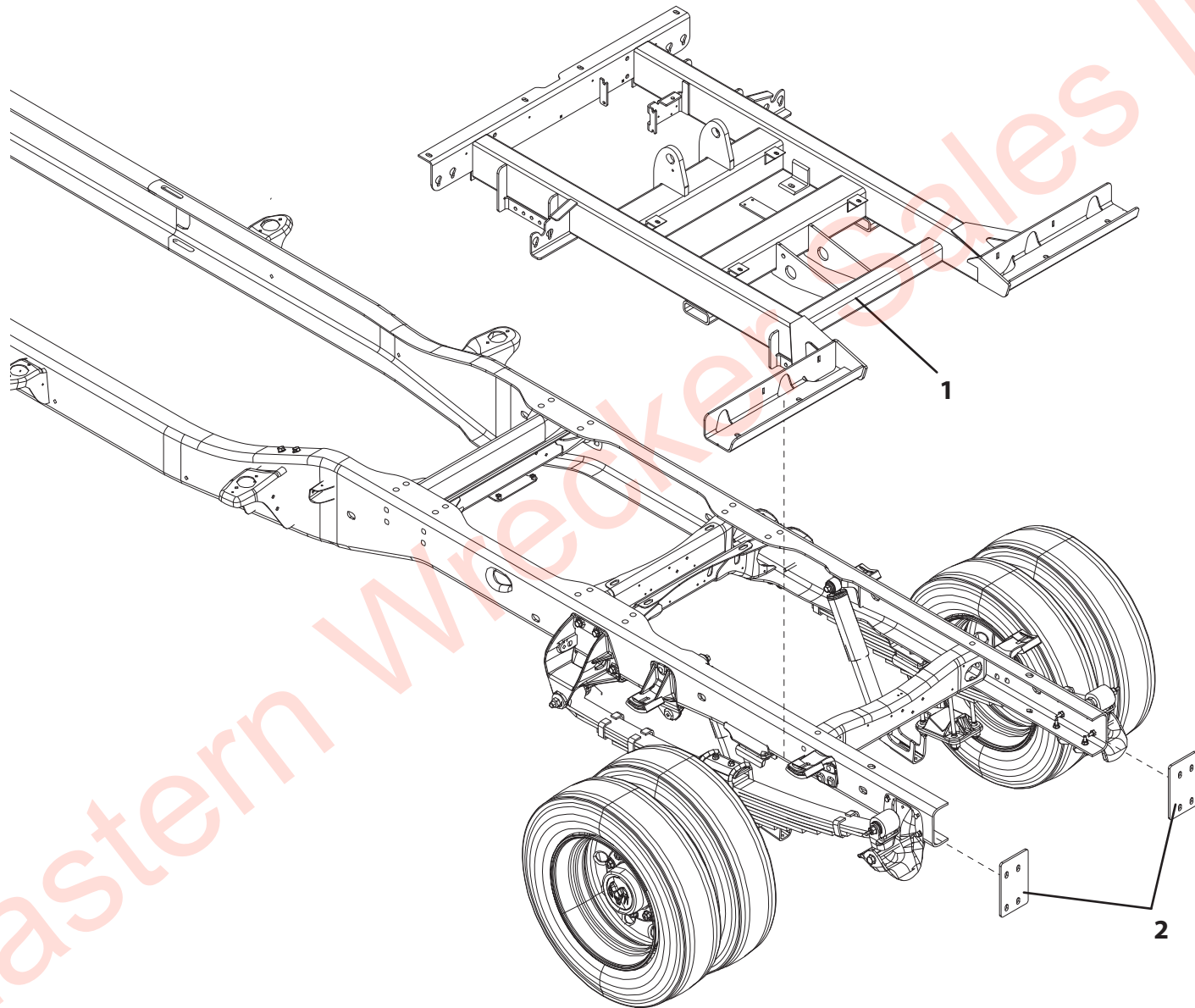
Eastern Wrecker Sales Inc

SUBFRAME INSTALLATION

ITEM	PART NO.	DESCRIPTION	QTY	REV
	1001196791	Subframe Installation	Ref	A
1	1001196792	Subframe	1	
2	4706004919	Plate	2	

Eastern Wrecker Sales Inc

SUBFRAME INSTALLATION

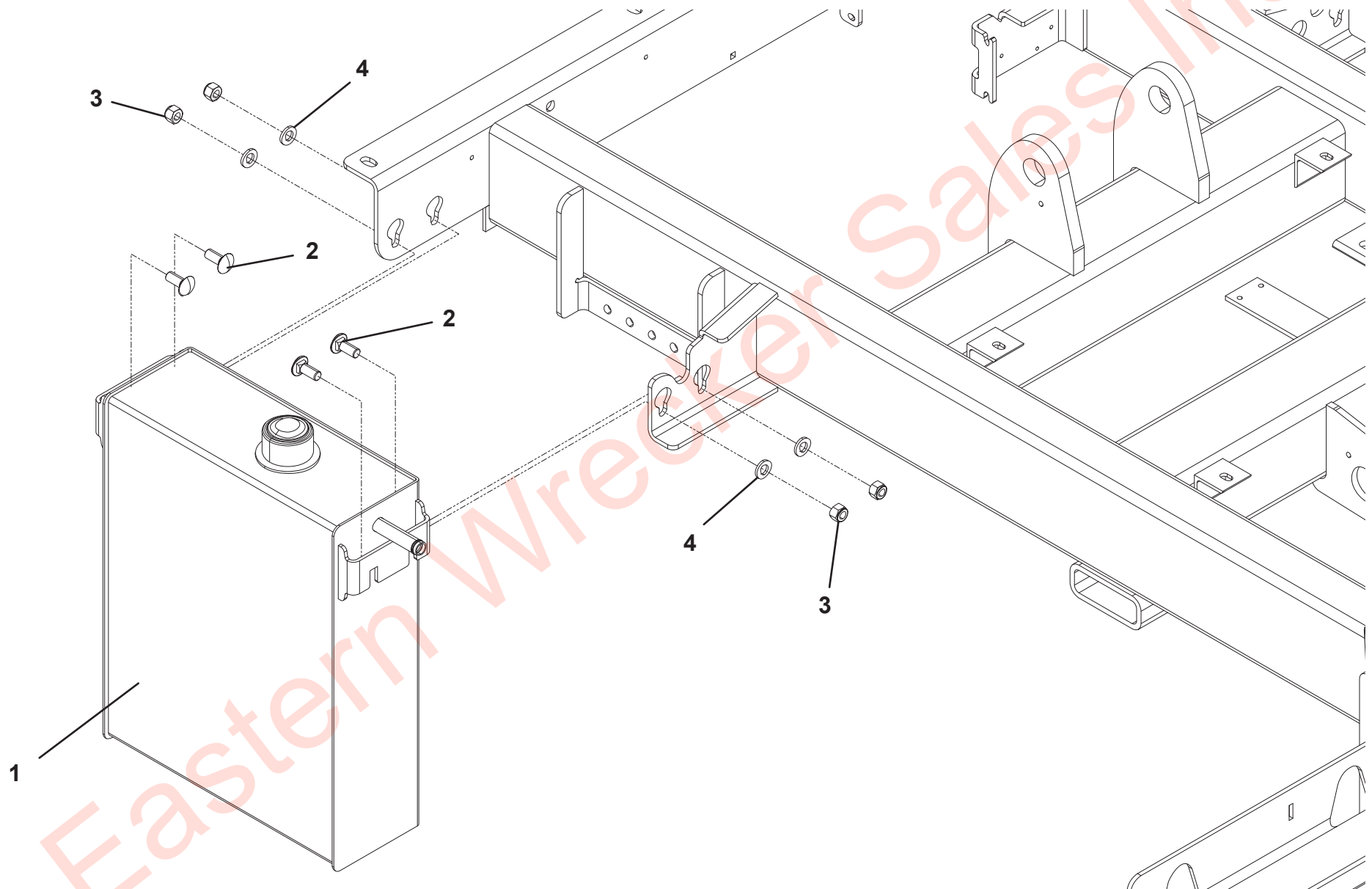


HYDRAULIC TANK

ITEM	PART NO.	DESCRIPTION	QTY
1	3750000061	Reservoir	1
2	7115181064	Bolt, 0.50" - 13NC x 1.25"	4
3	7660182601	Locknut, 0.50" - 13NC	4
4	7950180153	Flatwasher, 0.50" ID	4

Eastern Wrecker Sales Inc

HYDRAULIC TANK

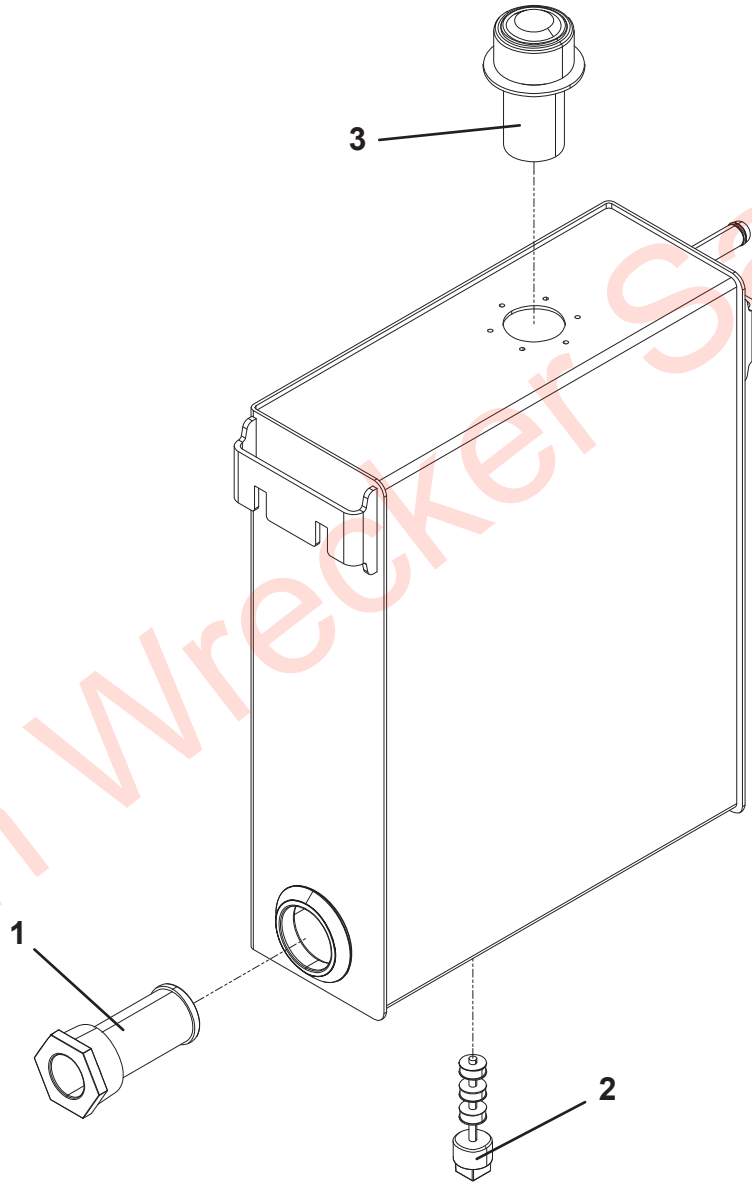


HYDRAULIC TANK RESERVOIR ASSEMBLY

ITEM	PART NO.	DESCRIPTION	QTY	REV
	3750000061	Hydraulic Tank Reservoir Assembly	Ref	B
1	4811001093	Sheet	1	
2	4811001094	Sheet	1	
3	4686000234	Panel	1	
4	7912000290	Tube	1	
5	4497000553	Gusset	1	
6	4178000690	Bracket	2	
7	7449000011	Flange 2.00"	1	
8	7449000012	Flange 1.00"	1	
9	7430000010	Filter Tank	1	
10	7701000026	Plug	1	
11	7183000008	Breather	1	

Eastern Wrecker Sales Inc

HYDRAULIC TANK RESERVOIR ASSEMBLY



THIS PAGE INTENTIONALLY LEFT BLANK

Eastern Wrecker Sales Inc

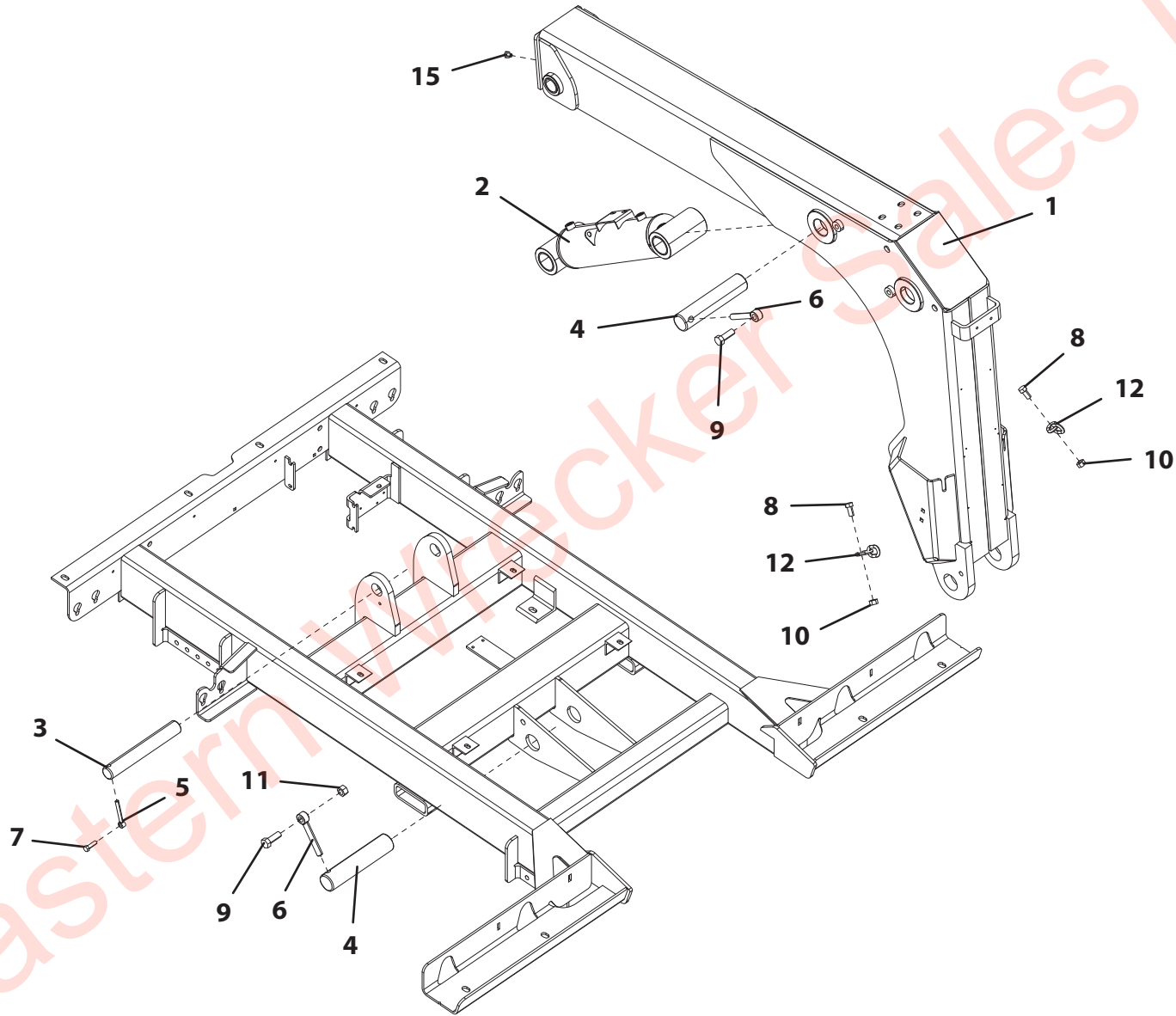
SECTION 2 - BOOM

Eastern Wrecker Sales Inc

KNEE BOOM INSTALLATION

ITEM	PART NO.	DESCRIPTION	QTY	REV
	1001196813	Knee Boom Installation	Ref	A
1	1001196814	Knee Boom	1	
2	1001194371	Boom Lift Cylinder (See Separate Breakdown in CYLINDER Section)	1	
3	1001191715	Pin	1	
4	1001191717	Pin	2	
5	3841143	Keeper	1	
6	3841258	Rod	2	
7	0681610	Capscrew, 0.38"-16NC X 1.25"	1	
8	0641808	Capscrew, 0.5"-13NC X 1.00"	2	
9	0682014	Capscrew, 0.63"-11NC X 1.75"	2	
10	3271805	Locknut, 0.50"-13NC	2	
11	3272005	Locknut, 0.63"-11NC	1	
12	7262000040	Chain Link	2	
13	1001095650	Loctite 243	A/R	
14	3020039	Lubricant	A/R	
15	1001204780	Plug	1	

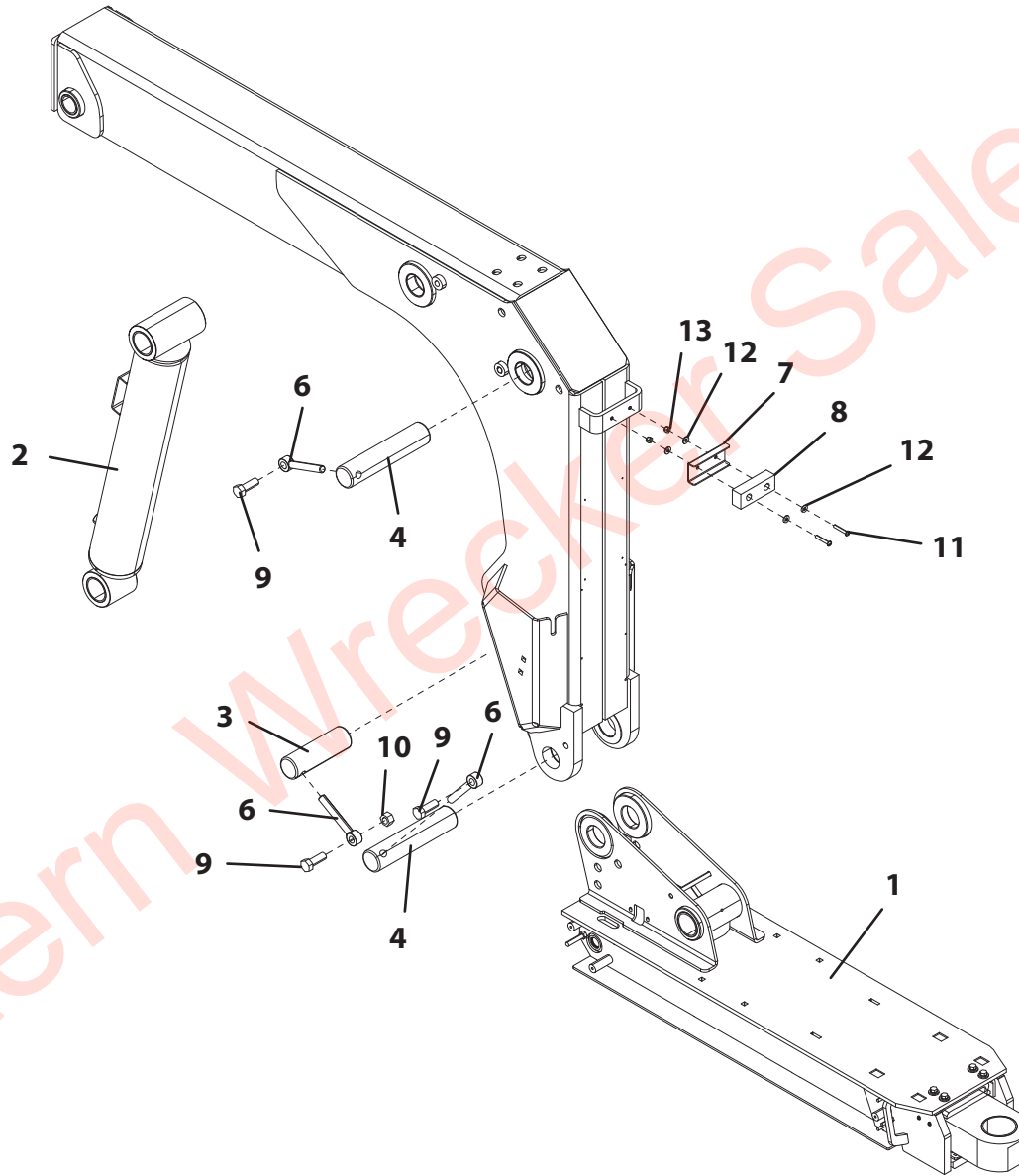
KNEE BOOM INSTALLATION



UNDERLIFT BOOM INSTALLATION HYD FIXED GRID

ITEM	PART NO.	DESCRIPTION	QTY	REV
	1001196913	Underlift Boom Installation Hyd Fixed Grid	Ref	A
1	1001196509	Underlift Boom Assembly Hydraulic Grid (See Separate Breakdown in this Section)	1	
2	1001194372	Underlift Tilt Cylinder (See Separate Breakdown in CYLINDER Section)	1	
3	1001191718	Pin	1	
4	1001191717	Pin	2	
5	4949000050	Washer	2	
6	3841258	Keeper	3	
7	4263000814	Channel	1	
8	7189000023	Bumper	1	
9	0682014	Capscrew, 0.63"-11NC X 1.75"	3	
10	3272005	Locknut, 0.63"-11NC	1	
11	7114141218	Screw, 0.50"-20NC X 1.50"	2	
12	7950140143	Flatwasher, 0.25" ID	4	
13	7660142604	Locknut, 0.25"-20NC	2	
14	3020039	Lubricant	A/R	
15	1001095650	Loctite 243	A/R	

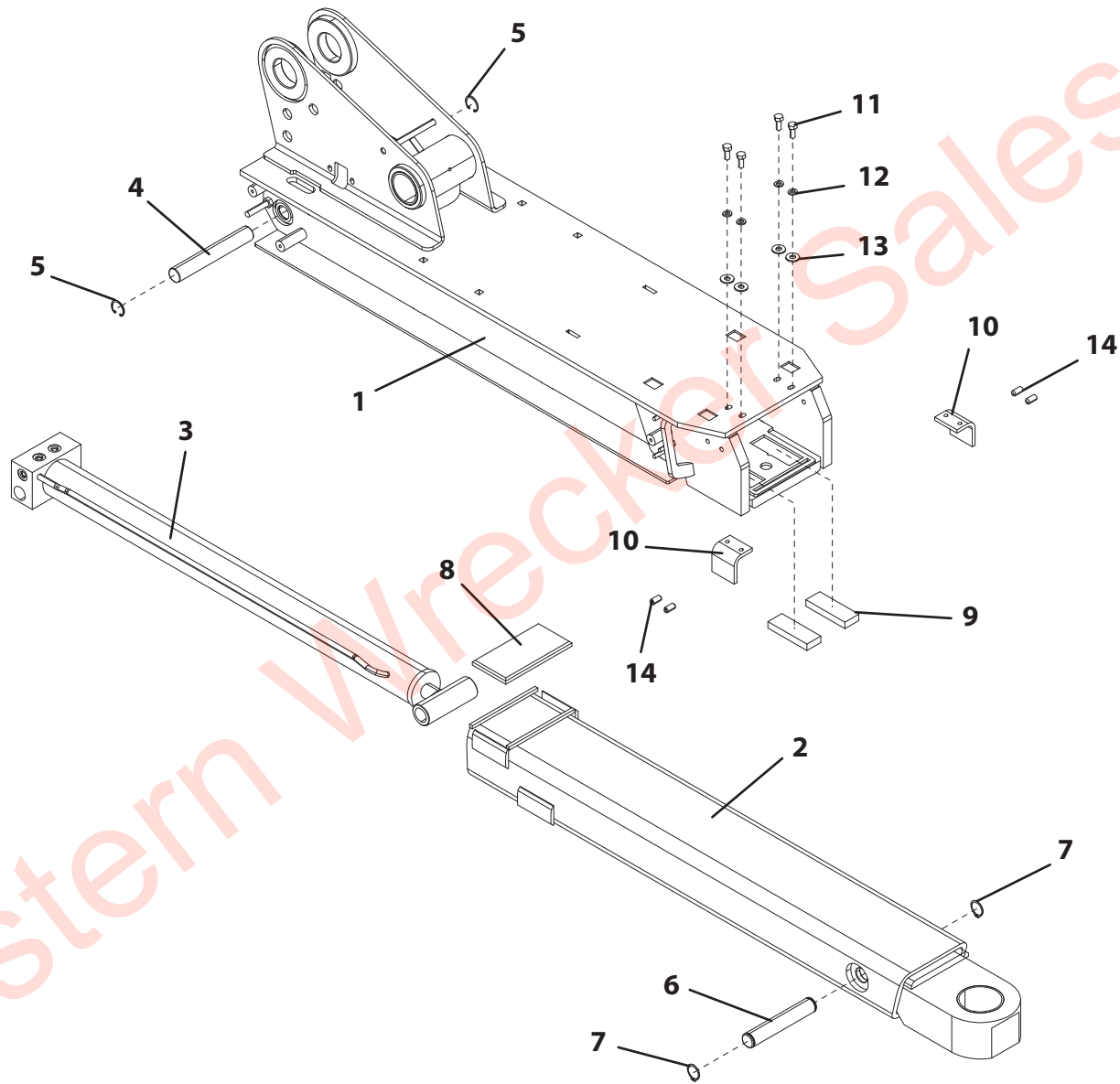
UNDERLIFT BOOM INSTALLATION HYD FIXED GRID



UNDERLIFT ASSEMBLY HYDRAULIC GRID

ITEM	PART NO.	DESCRIPTION	QTY	REV
	1001196509	Underlift Assembly Hydraulic Grid	Ref	A
1	1001196510	Boom, Base	1	
2	3170000346	Boom, Inner	1	
3	7320000077	Cylinder Assembly (See Separate Breakdown in CYLINDER Section)	1	
4	4691000308	Pin	1	
5	7754000056	Snap Ring	5	
6	4691000307	Pin	1	
7	3760115	Retaining Ring	2	
8	4679000046	Pad	1	
9	4679000213	Pad	2	
10	4017001502	Angle	2	
11	7104150624	Capscrew, 0.31"-24NF X 0.75"	4	
12	4761500	Washer, 0.31" ID	4	
13	4751500	Washer, 0.31" ID	4	
14	7785161274	Screw, 0.38"-16NC X .0 75"	4	
15	3020039	Moly Paste	A/R	
16	1001152707	Lubricant	A/R	
17	1001155141	Lubricant	A/R	
18	1001095650	Adhesive	A/R	
19	1001204776	Grease Fitting	1	

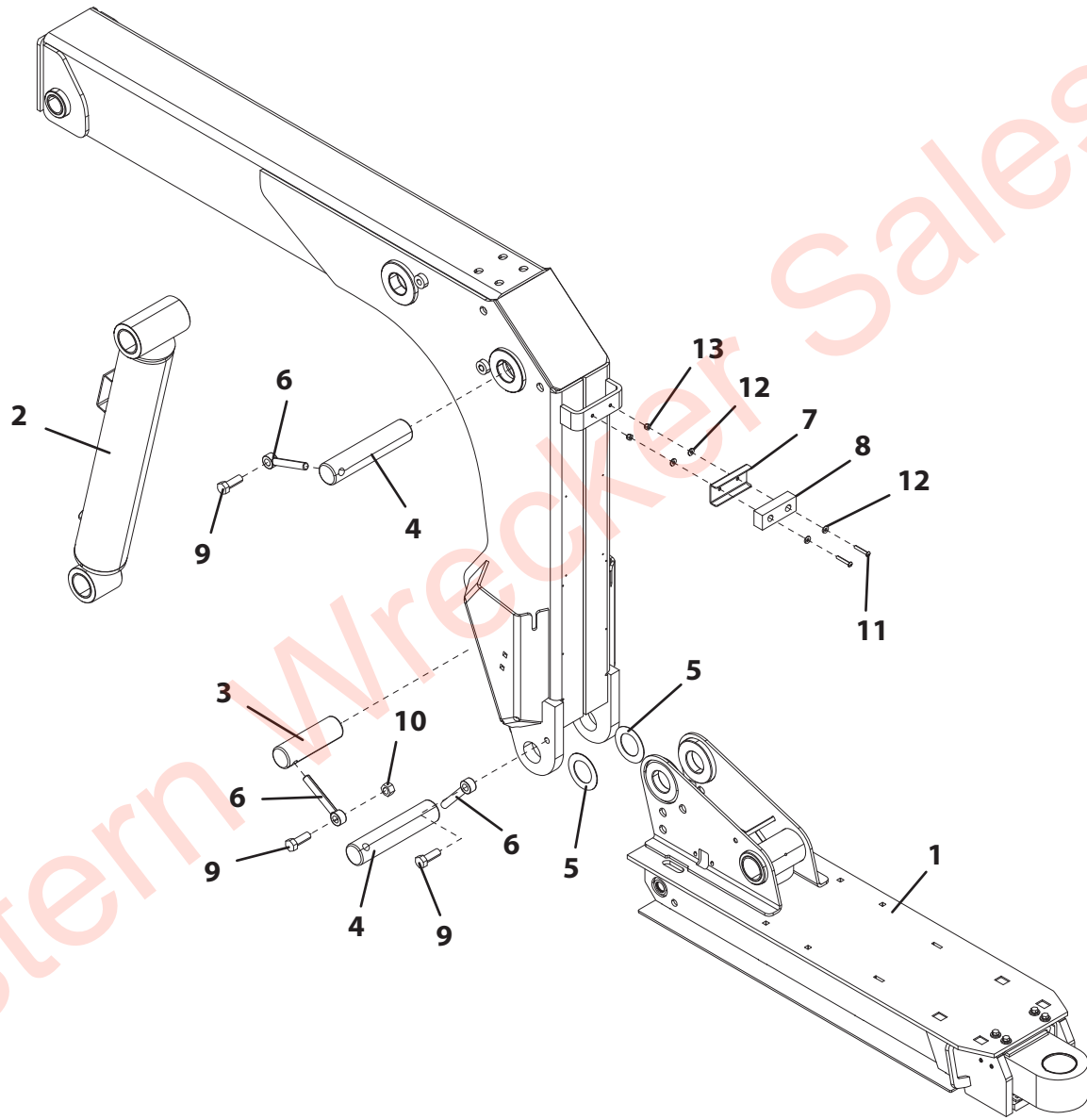
UNDERLIFT ASSEMBLY HYDRAULIC GRID



UNDERLIFT BOOM INSTALLATION MAIN GRID

ITEM	PART NO.	DESCRIPTION	QTY	REV
	1001208065	Underlift Boom Installation Main Grid	Ref	A
1	1001207975	Underlift Boom Assembly Main Grid (See Separate Breakdown in this Section)	1	
2	1001194372	Underlift Tilt Cylinder (See Separate Breakdown in CYLINDER Section)	1	
3	1001191718	Pin	1	
4	1001191717	Pin	2	
5	4949000050	Washer	2	
6	3841258	Keeper	3	
7	4263000814	Channel	1	
8	7189000023	Bumper	1	
9	0682014	Capscrew, 0.63"-11NC X 1.75"	3	
10	3272005	Locknut, 0.63"-11NC	1	
11	7114141218	Screw, 0.50"-20NC X 1.50"	2	
12	7950140143	Flatwasher, 0.25" ID	4	
13	7660142604	Locknut, 0.25"-20NC	2	
14	3020039	Lubricant	A/R	
15	1001095650	Loctite 243	A/R	

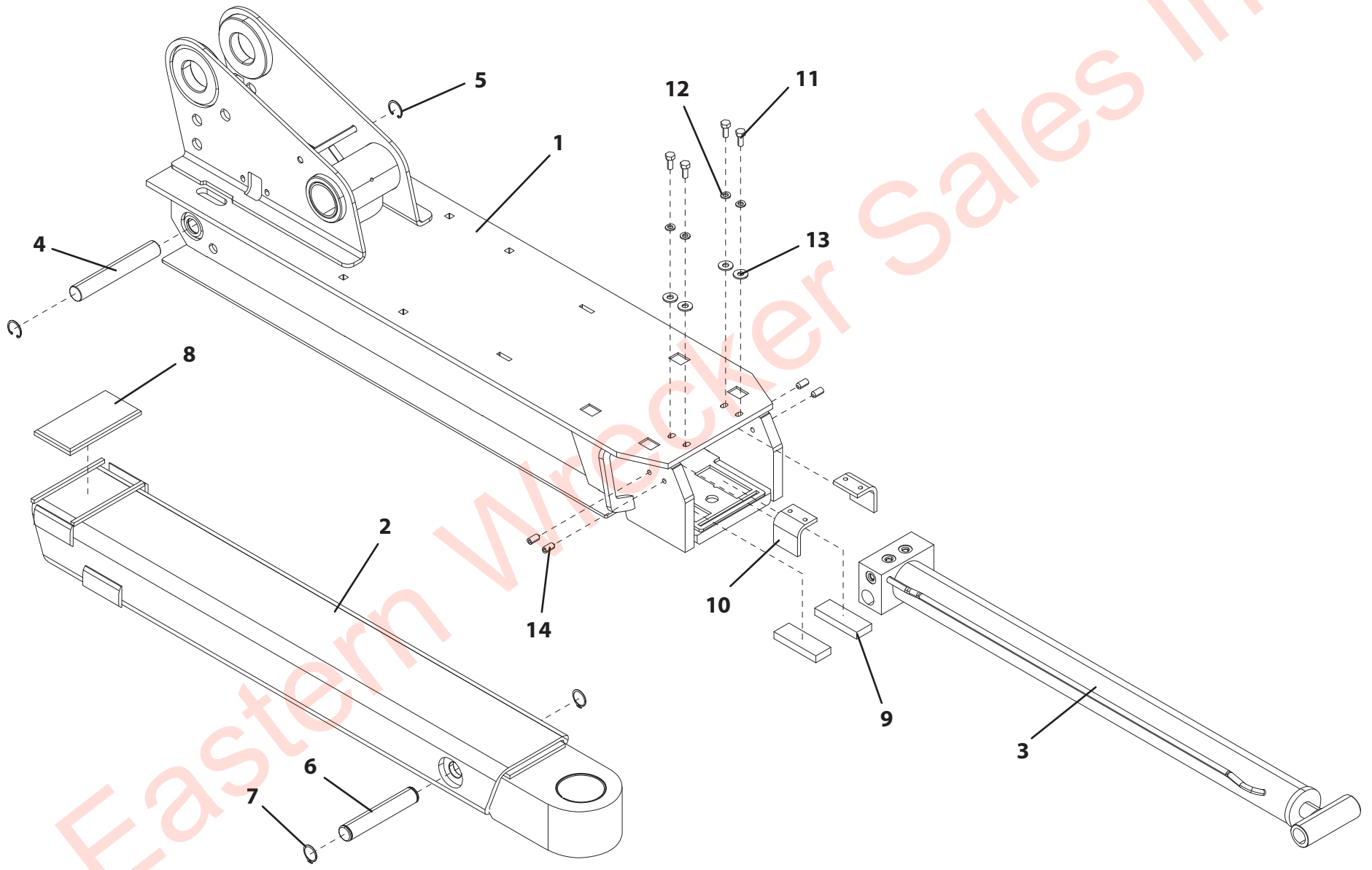
UNDERLIFT BOOM INSTALLATION MAIN GRID



UNDERLIFT BOOM ASSEMBLY MANUAL GRID

ITEM	PART NO.	DESCRIPTION	QTY	REV
	1001207975	Underlift Boom Assembly Manual Grid	Ref	B
1	1001207976	Base Boom Weld Hyd Grid	1	
2	3170000393	Fly Boom Main Grid	1	
3	7320000077	Cylinder Assembly (See Separate Breakdown in CYLINDER Section)	1	
4	4691000308	Pin	1	
5	7754000056	Snap Ring	2	
6	4691000307	Pin	1	
7	3760115	Retaining Ring	2	
8	4679000046	Pad	1	
9	4679000213	Pad	2	
10	4017001502	Angle	2	
11	7104150624	Capscrew, 0.31"-24NF X 0.75"	4	
12	4761500	Washer, 0.31" ID	4	
13	4751500	Washer, 0.31" ID	4	
14	7785161274	Screw, 0.38"-16NC X .0 75"	4	
15	3020039	Moly Paste	A/R	
16	1001152707	Lubricant	A/R	
17	1001155141	Lubricant	A/R	
18	1001095650	Adhesive	A/R	
19	1001204776	Grease Fitting	1	

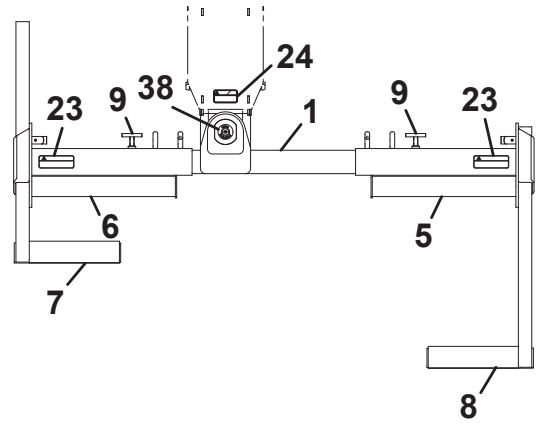
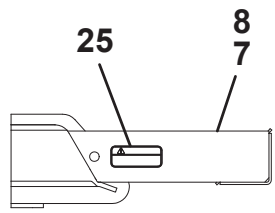
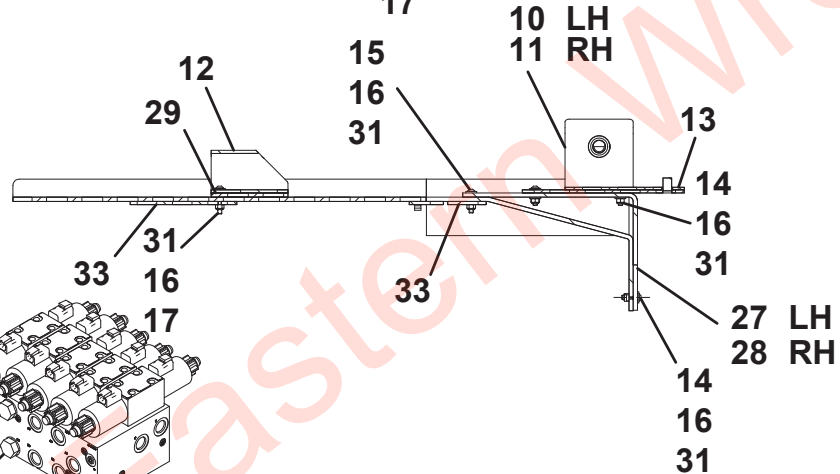
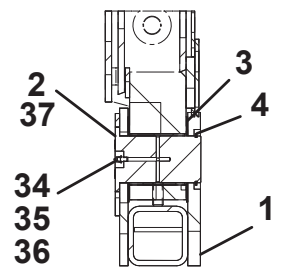
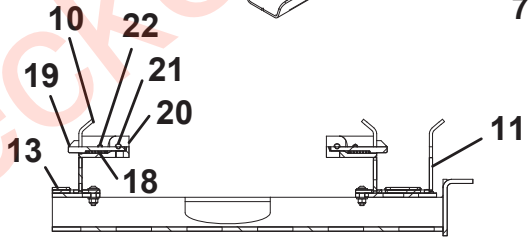
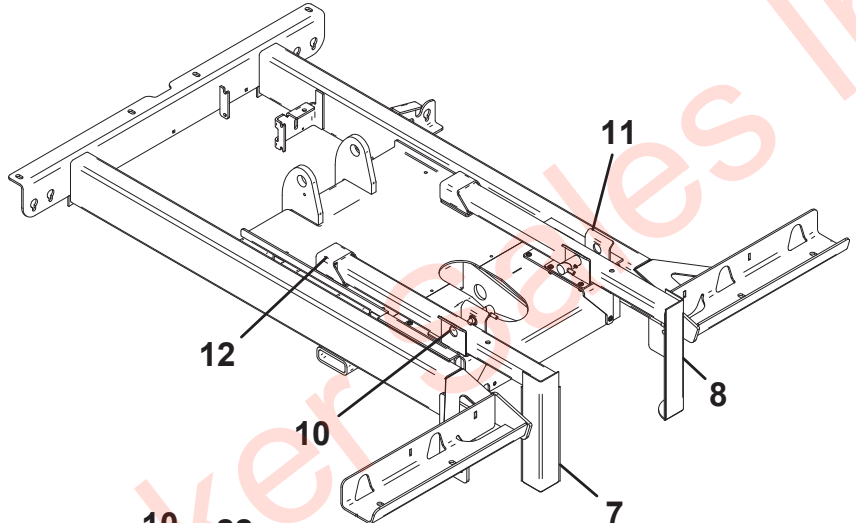
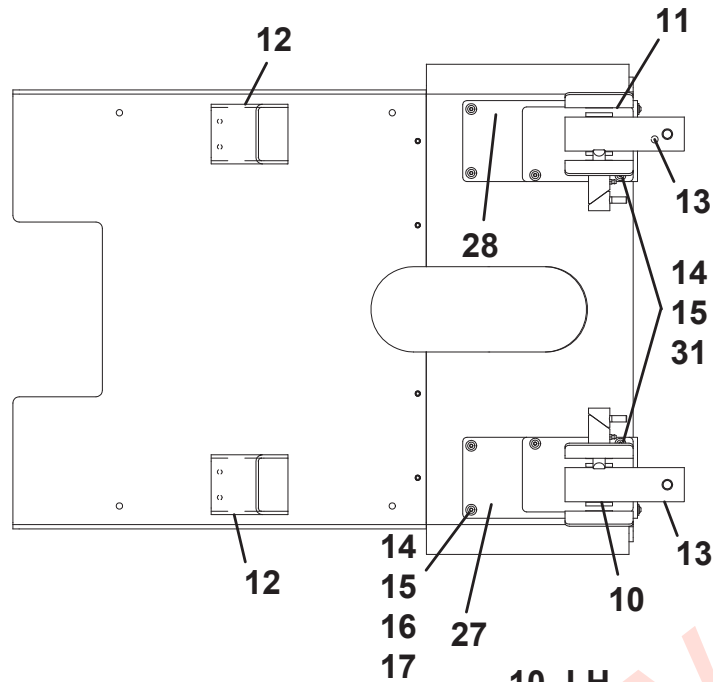
UNDERLIFT BOOM ASSEMBLY MANUAL GRID



GRID SYSTEM MANUAL

ITEM	PART NO.	DESCRIPTION	QTY	REV
	3484000083	Grid System Manual	Ref	B
1	3170000390	Boom Weld Underlift Crosstube	1	
2	4691000103	Pin	1	
3	4949000047	Washer	2	
4	7754000024	Retaining Ring	1	
5	3484000030	Grid Weldment, RH	1	
6	3484000031	Grid Weldment, LH	1	
7	3020000037	Arm Weldment, LH	1	
8	3020000038	Arm Weldment, RH	1	
9	3551000036	T-Handle	2	
10	1001129410	Bracket, LH	1	
11	1001129411	Bracket, RH	1	
12	4911000454	Tube	2	
13	4090000013	Belt	2	
14	7114140818	Capscrew, 0.25"-20NC X 1.00"	6	
15	7114141018	Capscrew, 0.25"-20NC X 1.25"	4	
16	7950140143	Flatwasher, 0.25" ID	18	
17	7114141218	Capscrew, 0.25"-20NC X 1.50"	4	
18	7843000006	Spring	2	
19	4691000186	Pin	2	
20	4254000005	Cap	2	
21	4763000184	Rod	2	
22	7440030000	Grease Fitting	2	
23	7330000036	Decal - Secure Vehicle Warning	2	
24	7330000599	Decal - Pinch Point	1	
25	7330000553	Decal - L-Arm Storage	2	
26	7894000034	Ratchet Strap	2	
27	4178000826	Bracket, LH	1	
28	4178000827	Bracket, RH	1	
29	4706006094	Plate	2	
30	7114141018	Capscrew, 0.25"-20NC X 1.25"	4	
31	7660142601	Locknut, 0.25" -20NC	14	
32	7443000048	Fitting Plug	2	
33	1001129414	Plate	4	
34	88671008	Grease Fitting	1	
35	7253000002	Grease Cap	1	
36	3020029	Bearing Grease	A/R	
37	3020039	Moly Paste	A/R	
38	7330000609	Decal - Grease Required	1	

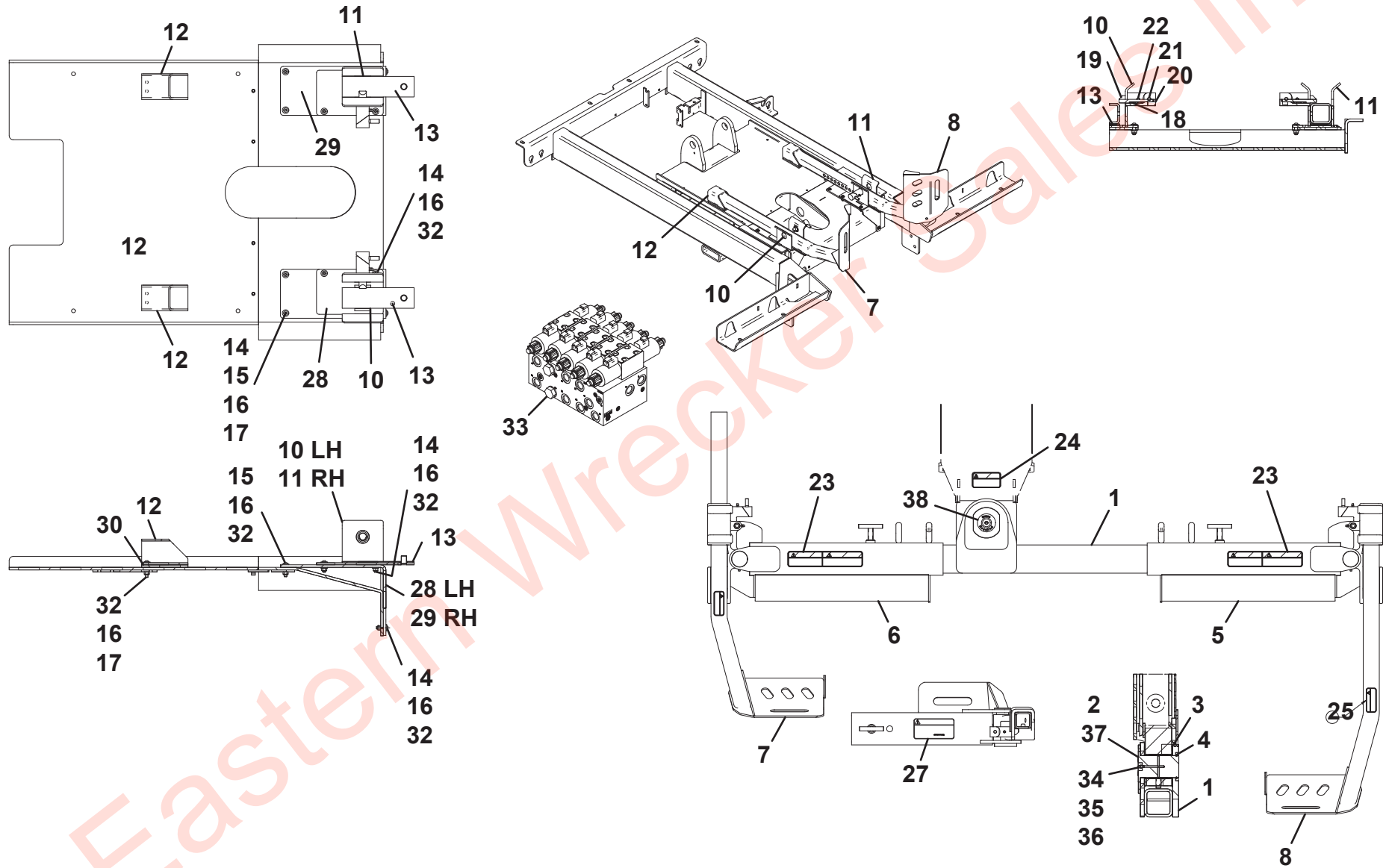
GRID SYSTEM MANUAL



GRID SYSTEM PIVOTING

ITEM	PART NO.	DESCRIPTION	QTY	REV
	3484000082	Grid System Pivoting	Ref	B
1	3170000390	Boom Weld Underlift Crosstube	1	
2	4691000103	Pin	1	
3	4949000047	Washer	2	
4	7754000024	Retaining Ring	1	
5	3484000046	Grid Assembly, RH	1	
6	3484000047	Grid Assembly, LH	1	
7	3020000029	LH L-Arm	1	
8	3020000030	RH L-Arm	1	
9	7894000034	Strap	2	
10	1001129410	Bracket, LH	1	
11	1001129411	Bracket, RH	1	
12	4913000503	Tube	2	
13	4090000013	Belt	2	
14	7114140818	Capscrew, 0.25"-20NC X 1.00"	6	
15	7114141018	Capscrew, 0.25"-20NC X 1.25"	4	
16	7950140143	Flatwasher, 0.25" ID	18	
17	7114141218	Capscrew, 0.25"-20NC X 1.50"	4	
18	7843000006	Spring	2	
19	4691000186	Pin	2	
20	4254000005	Cap	2	
21	4763000184	Rod	2	
22	7440030000	Grease Fitting	2	
23	7330000683	Decal, Safety	2	
24	7330000599	Decal, Warning	1	
25	7330000553	Decal, L-Arm	2	
26	1001129414	Plate	4	
27	7330000384	Decal, T-37	2	
28	4178000826	Bracket, LH	1	
29	4178000827	Bracket, RH	1	
30	4706006093	Plate	2	
31	7114141018	Capscrew, 0.25"-20NC X 1.25"	4	
32	7660142601	Locknut, 0.25"-20NC	14	
33	7443000048	Fitting Plug	2	
34	88671008	Grease Fitting	1	
35	7253000002	Grease Cap	1	
36	3020029	Bearing Grease	A/R	
37	3020039	Molly Paste	A/R	
38	7330000609	Decal - Grease Required	1	

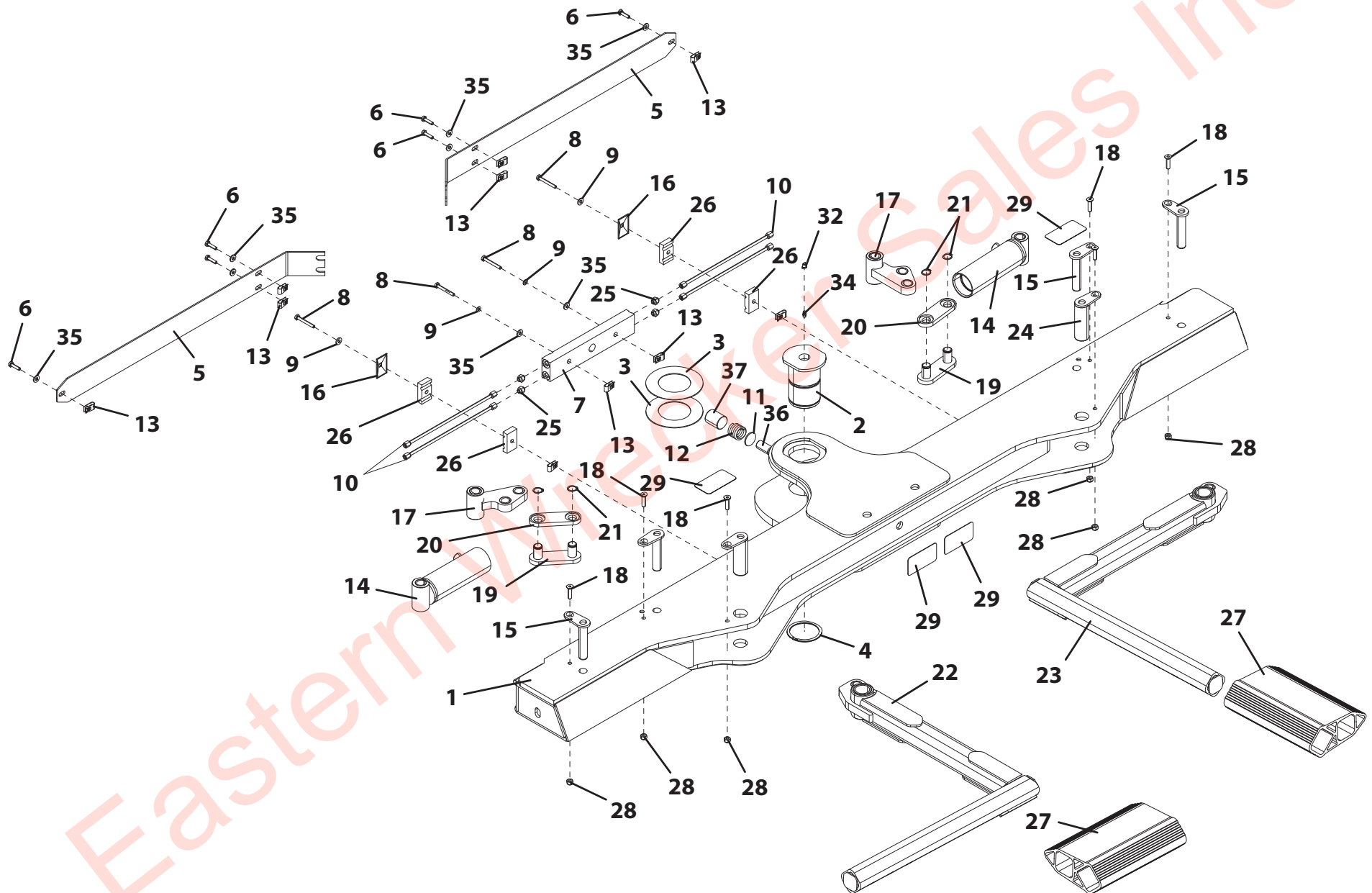
GRID SYSTEM PIVOTING



HYDRAULIC GRID ASSEMBLY

ITEM	PART NO.	DESCRIPTION	QTY	ITEM	PART NO.	DESCRIPTION	QTY
1	1001185808	Grid Weldment	1	40	7082000026	Bearing	12
2	4691000198	Pin	1	41	0440234	Bearing	2
3	4949000047	Washer	2				
4	7754000024	Retaining Ring	1				
5	1001220280	Plate	2				
6	641406	Capscrew, 0.25" - 20NC X 0.75"	6				
7	4619000013	Manifold	1				
8	641416	Capscrew, 0.25" - 20NC X 2.00"	4				
9	4761400	Washer, 0.25" ID	2				
10	7912000184	Tube Assembly	4				
11	4831000095	Spacer	1				
12	7843000037	Spring	1				
13	7661000064	U-Nut	10				
14	7320000064	Cylinder	2				
15	3691000229	Pin	4				
16	7274000039	Cover	2				
17	3592000052	Link Weldment	2				
18	1001137904	Bolt, 0.31" - 18NC X 1.25"	6				
19	3592000051	Link Weldment	2				
20	4706003497	Plate	2				
21	3760351	Retaining Ring	4				
22	3020000124	L-Arm LH	1				
23	3020000125	L-Arm RH	1				
24	3691000230	Pin	2				
25	2220415	Adapter	4				
26	7274000086	Clamp	4				
27	8411080091	L-Arm Spacer	2				
28	3271505	Nut, 0.31" - 18NC	6				
29	7330000599	Decal, Pinch Point	4				
30	7330000036	Decal, Warning	1				
31	7577000367	Kit Strap	1				
32	7253000002	Grease Fitting	1				
33	7330000609	Decal, Grease Required	1				
34	88671008	Grease Fitting	1				
35	4711400	Washer, 0.25" ID	10				
36	7786000009	Setscrew 0.75"-16NF X 1.50"	1				
37	4064000052	Bar	1				
38	3020039	Molypaste	A/R				
39	3020029	Lubricant	A/R				

HYDRAULIC GRID ASSEMBLY

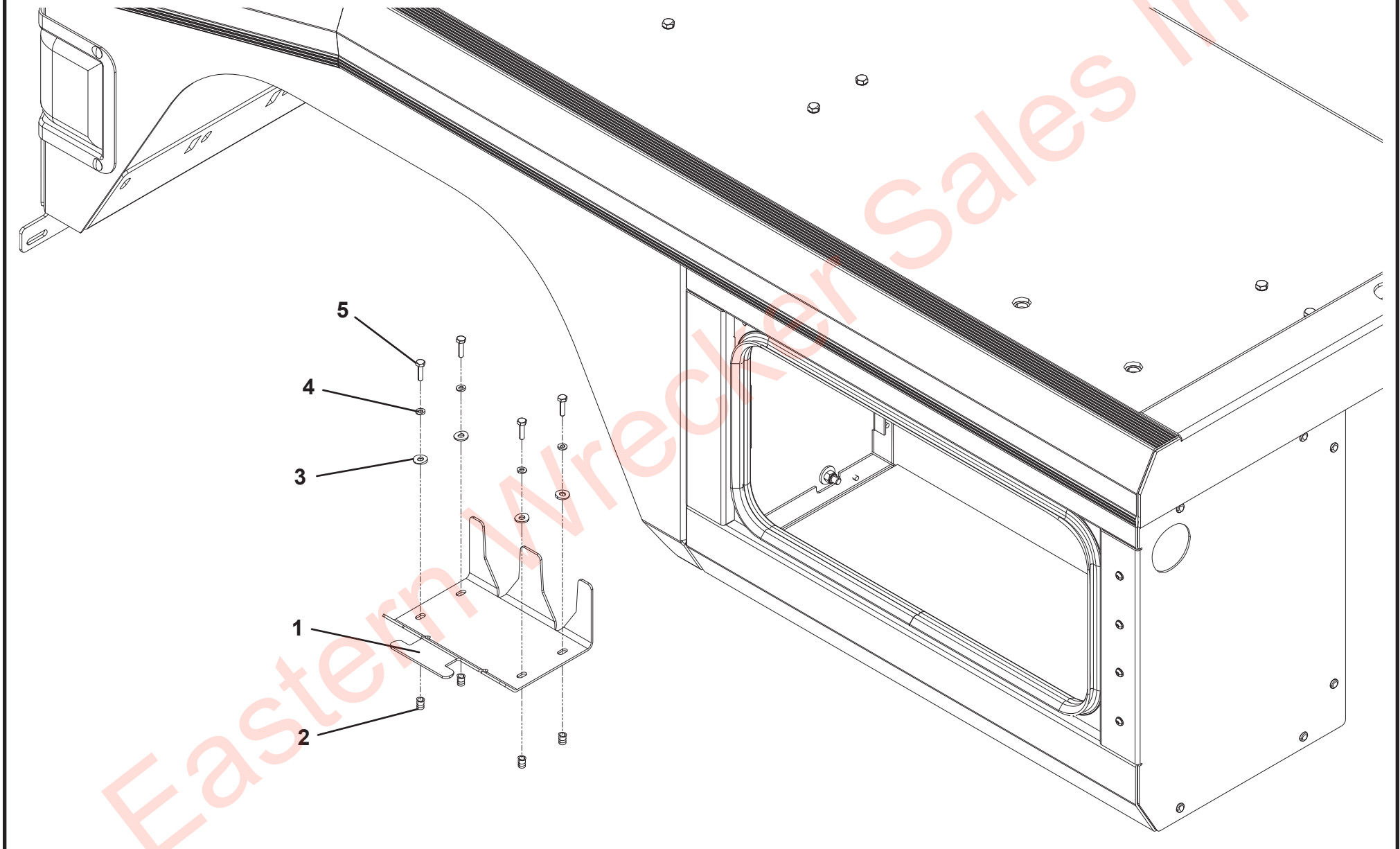


L-ARM STORAGE INSTALLATION

ITEM	PART NO.	DESCRIPTION	QTY
1	4178000721	Bracket	1
2	7413000002	Nutsert, 0.25" - 20NC	4
3	7950140161	Flatwasher, 0.25" ID	4
4	7950140000	Lockwasher, 0.25" ID	4
5	7115140650	Capscrew, 0.25" - 20NC x 0.75"	4

Eastern Wrecker Sales Inc

L-ARM STORAGE INSTALLATION

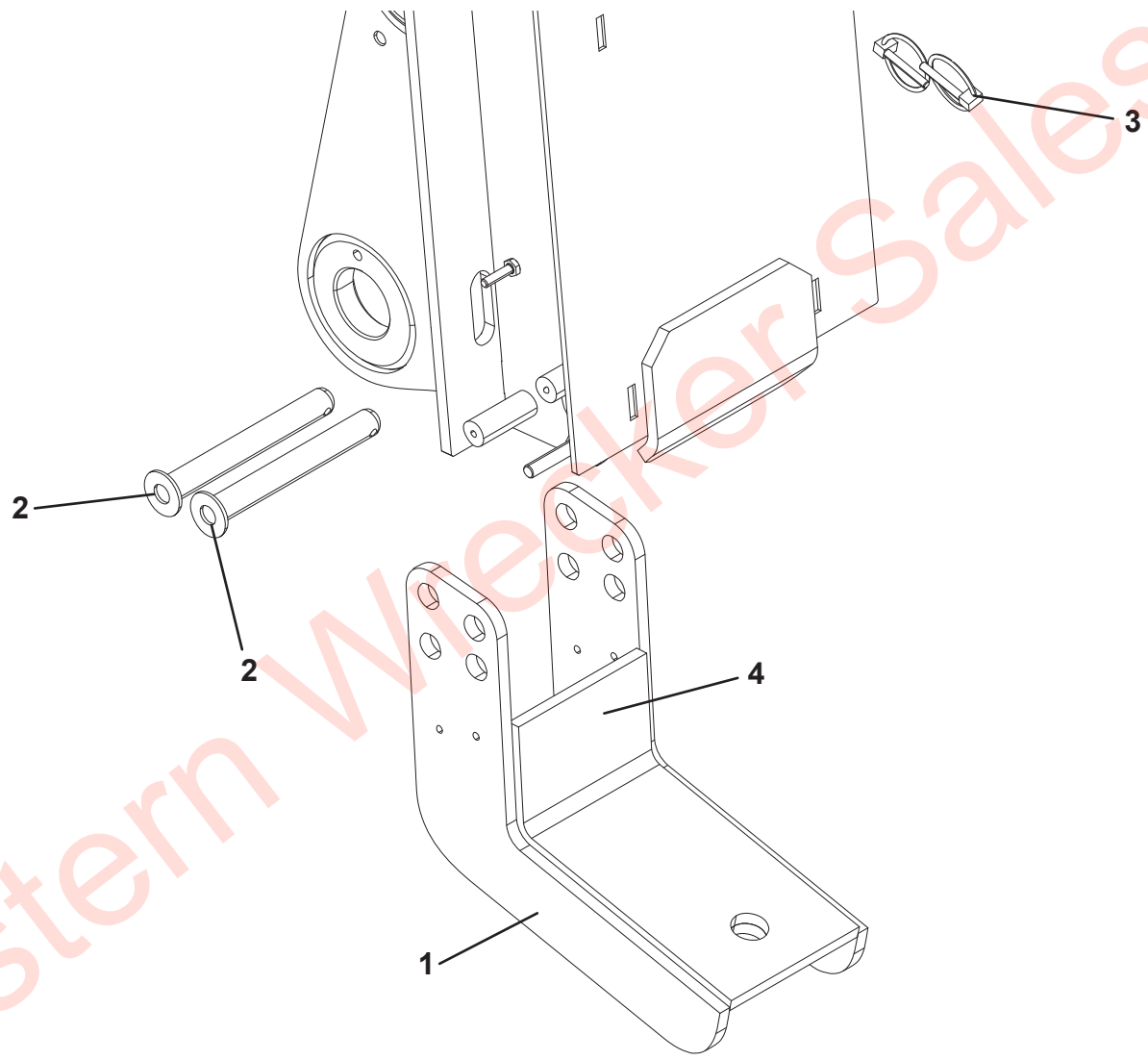


BRACKET, TOW BALL

ITEM	PART NO.	DESCRIPTION	QTY
1	3178000507	Bracket Weld Ball Hitch Mpl-Ng	1
2	3691000195	Pin Weld Tow Hitch	2
3	7691000027	Pin Lynch W/Chain - 1.563" Lg	2
4	7330000424	Decal Tow Hitch Caution Rev01	1

Eastern Wrecker Sales Inc

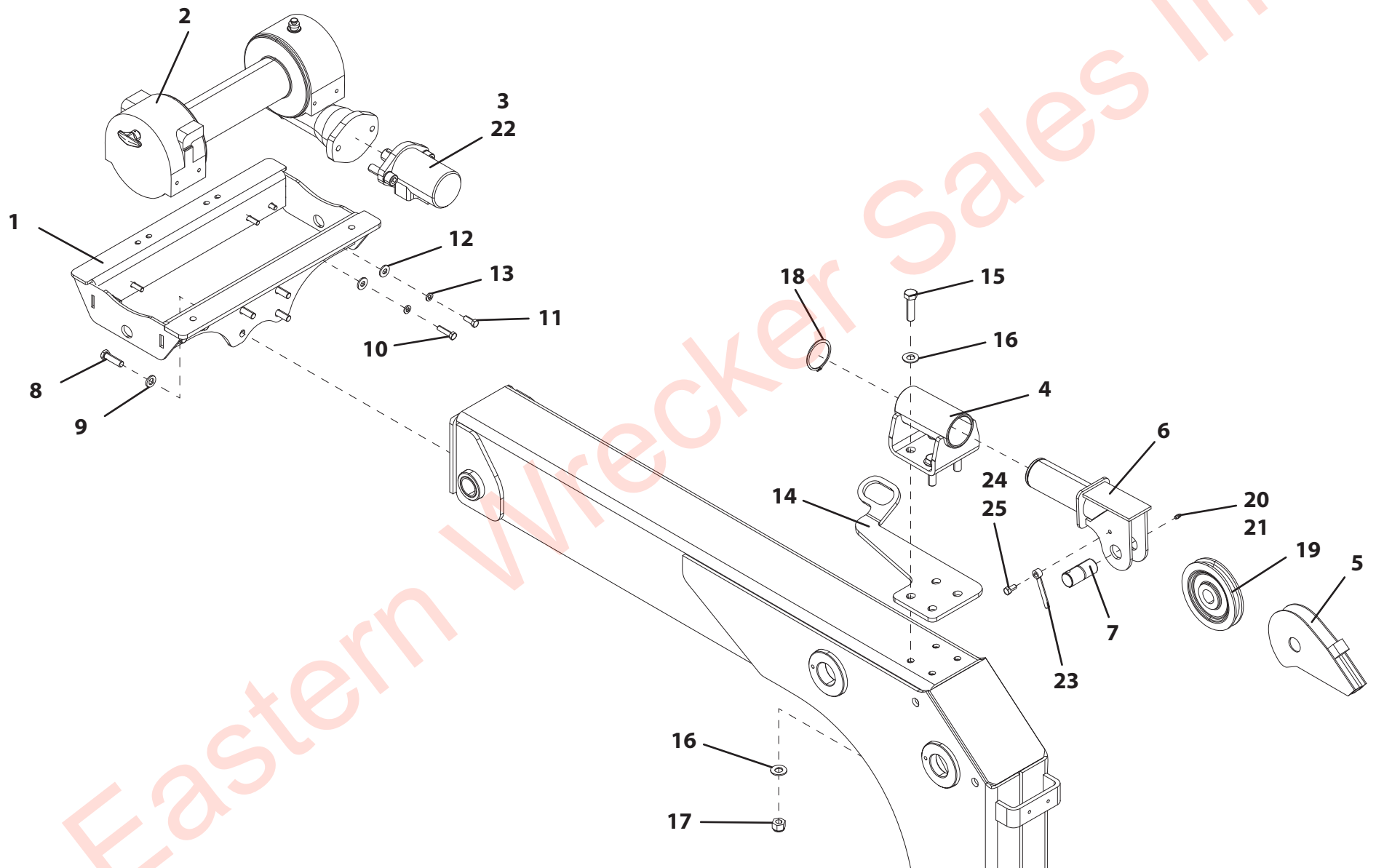
BRACKET, TOW BALL



WINCH INSTALLATION 8K RAMSEY

ITEM	PART NO.	DESCRIPTION	QTY	REV
	1001208910	Winch Installation 8K Ramsey	Ref	A
1	3178000508	Bracket Weld Winch Mount Singl	1	
2	7970000150	Winch Assembly (See Separate Breakdown in this Section)	1	
3	7626000014	Orbit Motor	1	
4	1001206157	Support, Boom Nose Mpl Single	1	
5	1001206167	Support, Sd Wrecker Cable Guide	1	
6	1001206161	Support, Sd Wrecker Sheave	1	
7	1001206171	Pin, Sd Wrecker Sheave	1	
8	0641814	Capscrew, 0.50"-13NC X 1.75"	4	
9	4891800	Washer, 0.50" ID	4	
10	0641612	Capscrew, 0.37"-16NC X 1.50"	6	
11	0641608	Capscrew, 0.37"-16NC X 1.00"	2	
12	4891600	Washer, 0.38" ID	8	
13	4761600	Washer, 0.38" ID	8	
14	1001206185	Plate	1	
15	0642018	Capscrew, 0.62"-11NC X 2.25"	4	
16	4712000	Washer, 0.63" ID	8	
17	7660202601	Locknut, 0.63"-11NC	4	
18	7754000005	External Retaining Ring	1	
19	7809000001	Sheave Wire Rope	1	
20	88671008	Fitting	2	
21	7253000002	Grease Fitting	2	
22	7950180400	Lockwasher, 0.50" ID	2	
23	3841143	Rod	1	
24	4711600	Washer, 0.38" ID	1	
25	0651606	Capscrew, 0.37"-24NC X 0.75"	1	
26	3020039	Loctite	A/R	
27	3020029	Grease	A/R	
28	1001095650	Loctite 243	A/R	

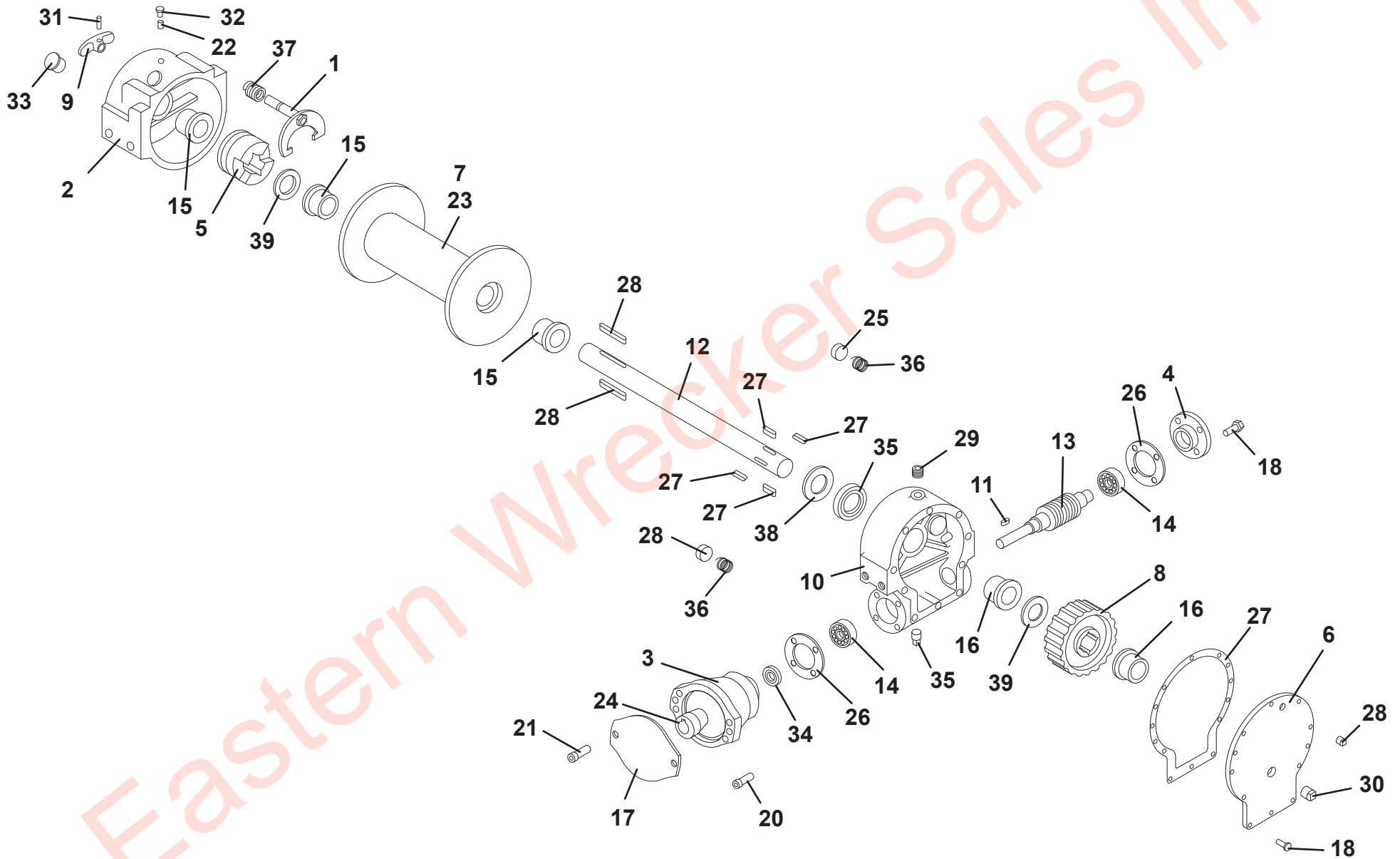
WINCH INSTALLATION 8K RAMSEY



WINCH ASSEMBLY 8K RH

ITEM	PART NO.	DESCRIPTION	QTY	ITEM	PART NO.	DESCRIPTION	QTY
1	70051554	Shifter Assembly	1	40	9970518014	Thrust Washer	1
2	9560960022	Housing	1	41	9970518015	Thrust Washer	1
3	9970300057	Adapter	1				
4	9970316083	Bearing Cap	1				
5	9970960060	Clutch Jaw	1				
6	9314960024	Cover	1				
7	9970960068	Drum	1				
8	9472960072	Gear	1				
9	9970336010	Handle	1				
10	9560990011	Housing	1				
11	9970342027	Key	1				
12	9806960009	Shaft	1				
13	9970960062	Worm	1				
14	9970402002	Bearing	2				
15	9970412003	Bushing	4				
16	9970412045	Bushing	4				
17	70050679	Adapter	1				
18	9970414045	Capscrew, 0.25" - 20NC x 0.875"	14				
19	9120960034	Capscrew, 0.38" - 16NC x 1.00"	2				
20	70050682	Capscrew, 0.25" - 20NC x 0.75"	4				
21	9120960061	Capscrew, 0.50" - 13NC x 1.50"	2				
22	70051555	Setscrew, 0.25" - 20NC x 0.38"	1				
23	9786960015	Setscrew, 0.38" - 16NC x 0.50"	1				
24	9970431008	Coupling	1				
25	9970438014	Disk Brake	2				
26	9970442184	Gasket	2				
27	9970442205	Gasket	1				
28	9970450006	Key	2				
29	9575960014	Key	4				
30	9970456008	Fitting	1				
31	9701960015	Plug	1				
32	9970468011	Plug	2				
33	9691960001	Pin	1				
34	9970472012	Rubber Plug	1				
35	9970472013	Plug	1				
36	9970486009	Oil Seal	1				
37	9970483017	Oil Seal	1				
38	9970494002	Spring	2				
39	9970494053	Spring	1				

WINCH ASSEMBLY 8K RH

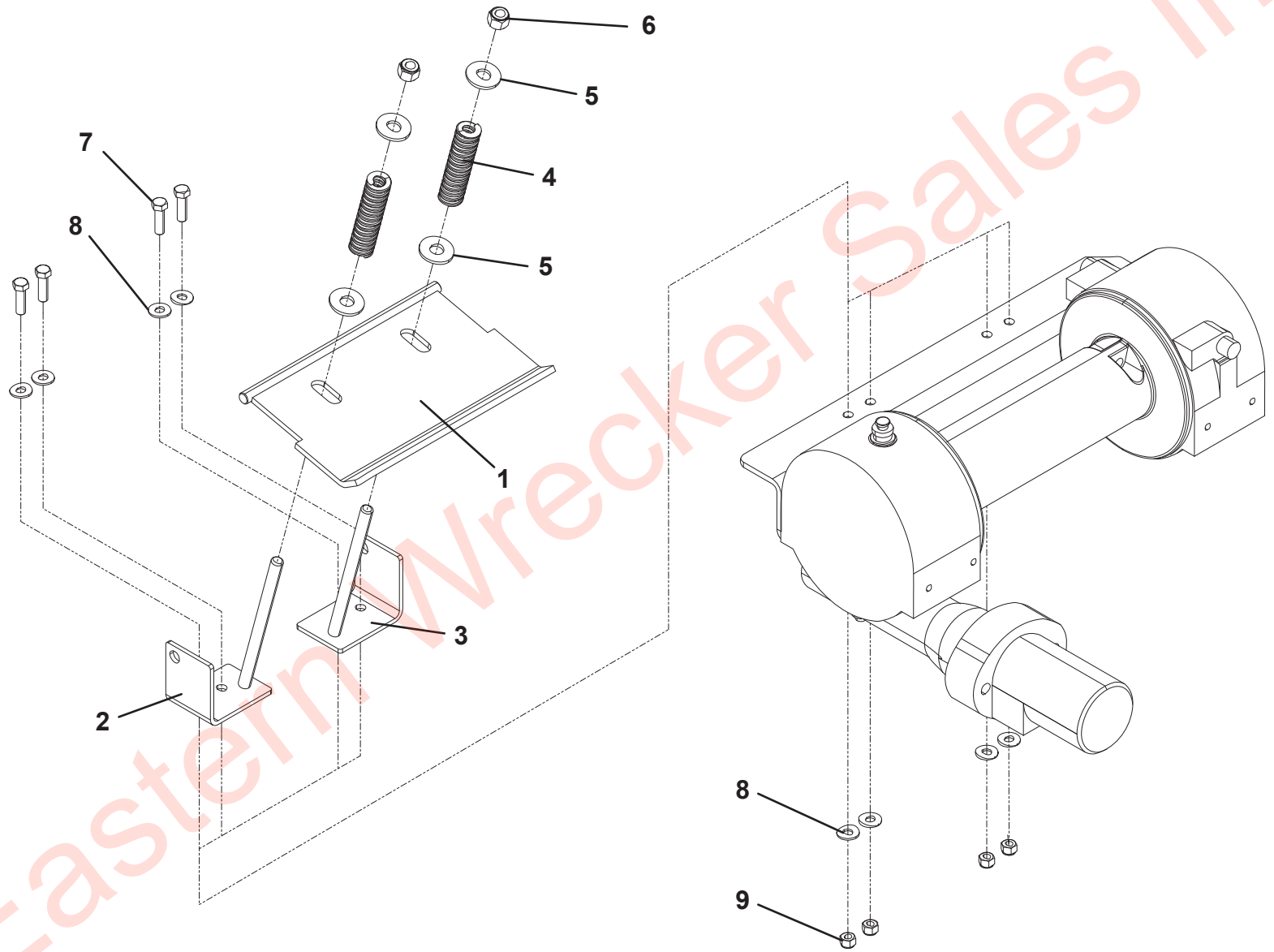


CABLE TENSIONER INSTALLATION

ITEM	PART NO.	DESCRIPTION	QTY
1	3706000099	Plate	1
2	3017000003	Angle, LH	1
3	3017000002	Angle, RH	1
4	7843000004	Spring	2
5	7950180161	Flatwasher, 0.50" ID	4
6	7660182601	Locknut, 0.50"-13NC	2
7	7115161050	Capscrew, 0.38"-16NC x 1.25"	4
8	7950150161	Flatwasher, 0.31" ID	8
9	7660162601	Locknut, 0.38"-16NC	4

Eastern Wrecker Sales Inc

CABLE TENSIONER INSTALLATION



THIS PAGE INTENTIONALLY LEFT BLANK

Eastern Wrecker Sales Inc

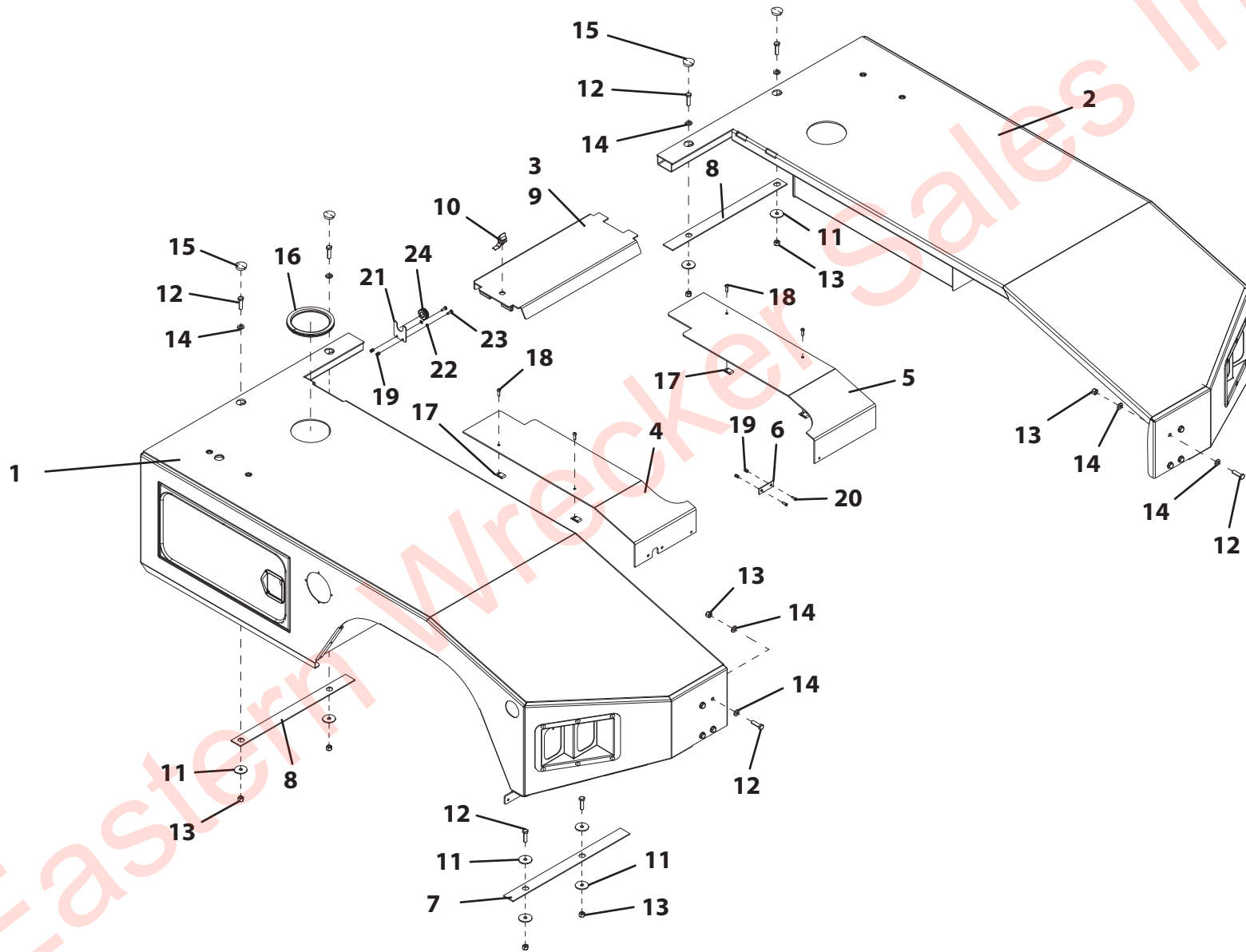
SECTION 3 - BODY

Eastern Wrecker Sales Inc

BODY INSTALLATION

ITEM	PART NO.	DESCRIPTION	QTY	REV
	2097000120	Body Installation	Ref	C
1	3097000767	Deck Assembly - LH (See Separate Breakdown in this Section)	1	
2	3097000769	Deck Assembly - RH (See Separate Breakdown in this Section)	1	
3	4707000343	Plate	1	
4	4707000344	Plate	1	
5	4707000345	Plate	1	
6	4062000695	Bar	1	
7	4090000010	Belt	2	
8	4090000011	Belt	2	
9	4632000058	Moulding	4	
10	7585000023	Latch	1	
11	7949000015	Washer, Head	12	
12	7115181450	Capscrew, 0.50"-13NC X 1.75"	16	
13	7660182601	Locknut, 0.50"-13NC	16	
14	7950180153	Flatwasher, 0.50" ID	20	
15	7701000063	Plug	4	
16	8632000002	Edge Trim	A/R	
17	7661000029	Nut, 0.31"-18NC	4	
18	7114150818	Capscrew, 0.31"-18NC X 1.00"	4	
19	7413000002	Nutsert, 0.25"-20NC	4	
20	7114140618	Screw, 0.25"-20 X 0.75"	2	
21	4811001177	Coverplate	1	
22	7950140000	Lockwasher, 0.25" ID	2	
23	7115140650	Capscrew, 0.25"-20NC X 0.75"	2	
24	7493000003	Grommet	1	
25	7950140003	Lockwasher, 0.25" ID	2	
26	7950140143	Flatwasher, 0.25" ID	2	

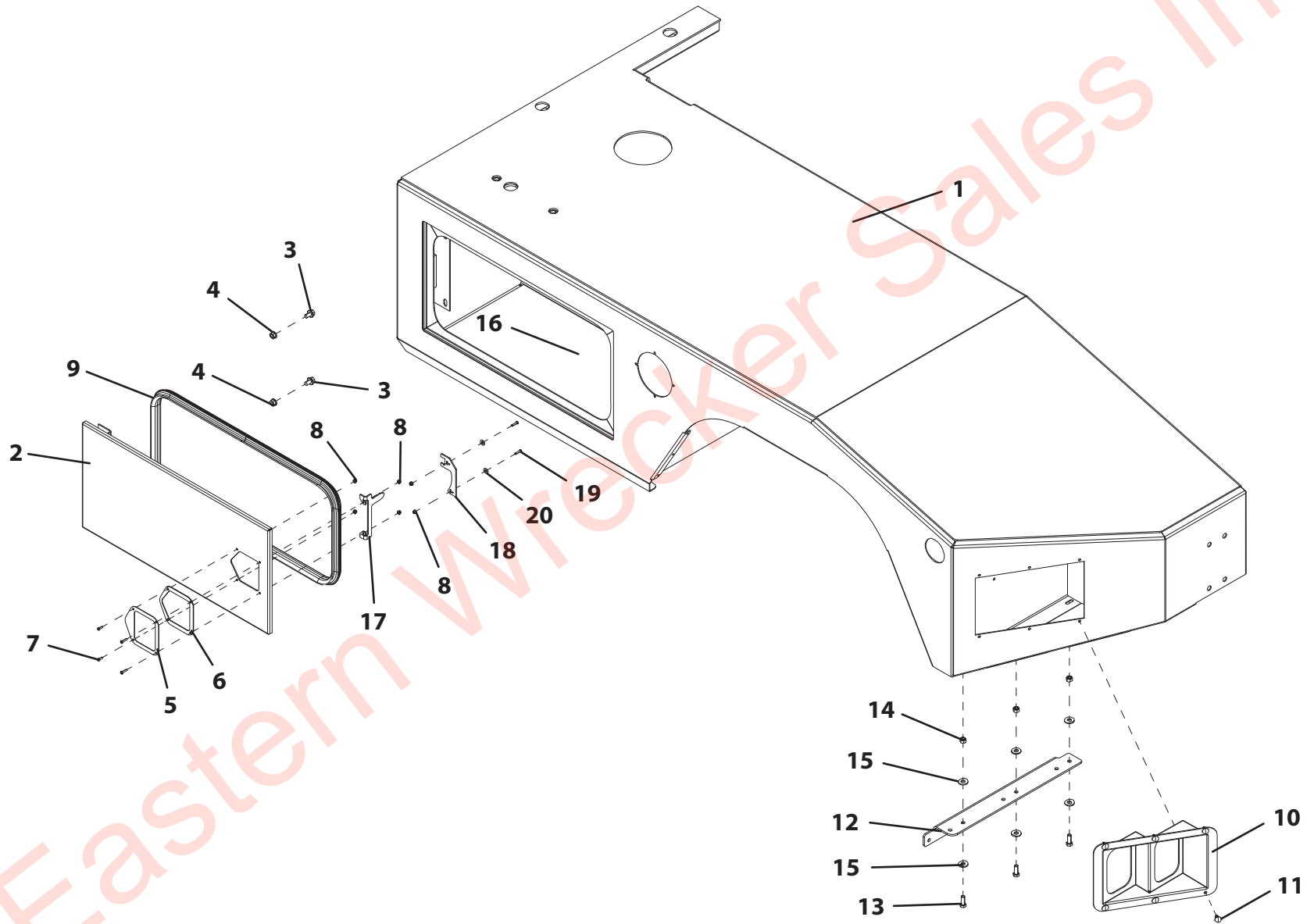
BODY INSTALLATION



DECK ASSEMBLY - LH

ITEM	PART NO.	DESCRIPTION	QTY	REV
	3097000767	Deck Assembly - LH	Ref	C
1	3097000768	Deck Weld LH	1	
2	3686000054	Body Panel	1	
3	7118160516	Capscrew, 0.38"-16NC X 0.63"	2	
4	7660162301	Locknut, 0.38"-16NC	2	
5	7585000012	Latch	1	
6	7796000084	Gasket	1	
7	7114080418	Screw, #8 - 32NC X 0.50"	2	
8	7660082604	Locknut, 0.80"-32NC	6	
9	4632000050	Seal	1	
10	7571000002	Taillight	1	
11	7413000013	Fastener	6	
12	4178000746	Bracket	1	
13	7115160850	Capscrew, 0.38"-16NC X 1.00"	3	
14	7660162601	Locknut, 0.38"-16NC	3	
15	7950160161	Flatwasher, 0.38" ID	6	
16	4679000252	Pad	1	
17	4178000854	Bracket	1	
18	4178000853	Bracket	1	
19	7114080618	Screw, 0.80"-32NC X 0.75"	4	
20	7950100103	Flatwasher, #10 ID	2	
21	7701000032	Plug, Hole	2	

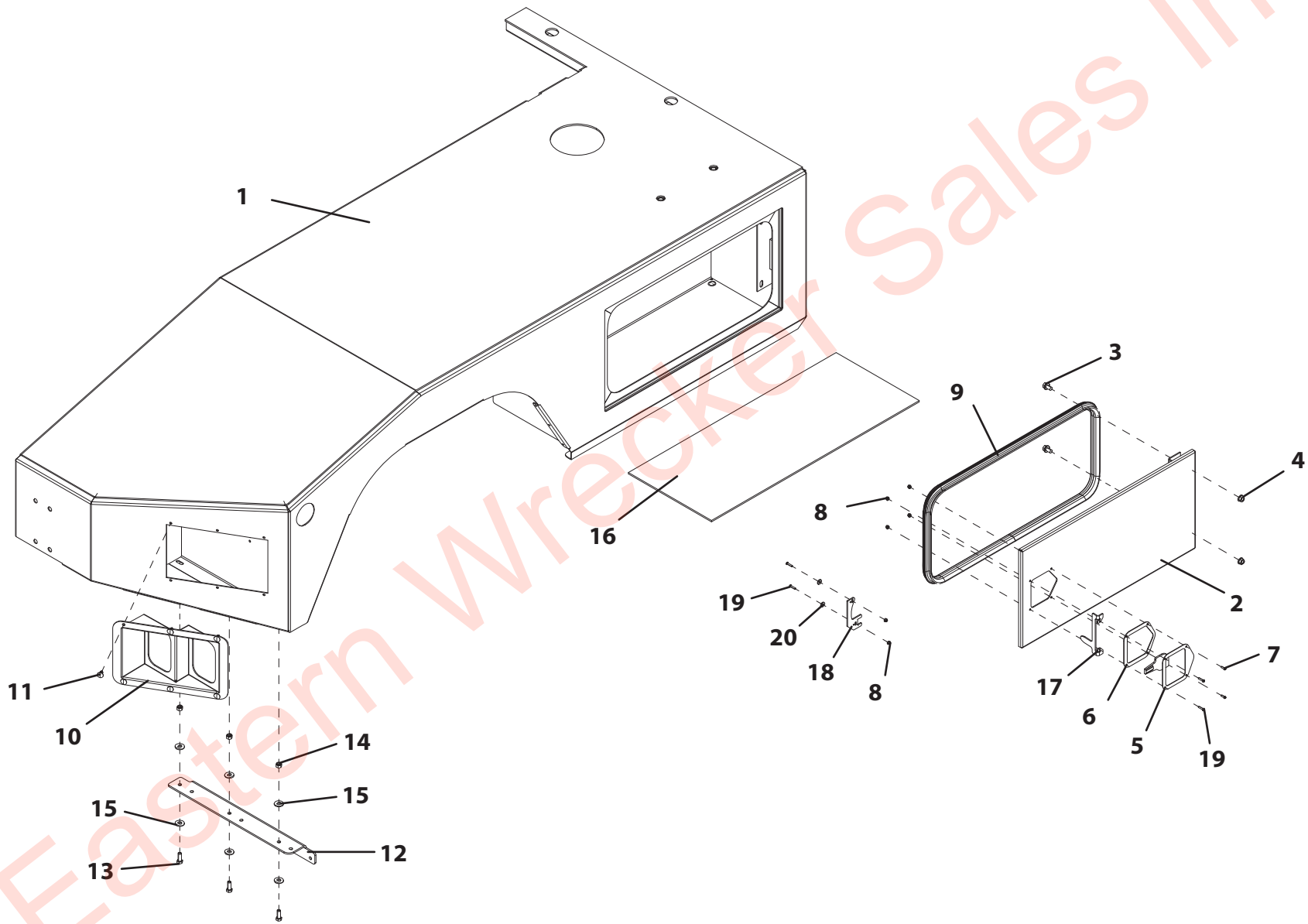
DECK ASSEMBLY - LH



DECK ASSEMBLY - RH

ITEM	PART NO.	DESCRIPTION	QTY	REV
	3097000769	Deck Assembly - RH	Ref	C
1	3097000770	Deck Weld RH	1	
2	3686000054	Body Panel	1	
3	7118160516	Capscrew, 0.38"-16NC X 0.63"	2	
4	7660162301	Locknut, 0.38"-16NC	2	
5	7585000012	Latch	1	
6	7796000084	Gasket	1	
7	7114080418	Screw, #8 - 32NC X 0.50"	2	
8	7660082604	Locknut, 0.80"-32NC	6	
9	4632000050	Seal	1	
10	7571000002	Taillight	1	
11	7413000013	Fastener	6	
12	4178000745	Bracket	1	
13	7115160850	Capscrew, 0.38"-16NC X 1.00"	3	
14	7660162601	Locknut, 0.38"-16NC	3	
15	7950160161	Flatwasher, 0.38" ID	6	
16	4679000328	Pad	1	
17	4178000854	Bracket	1	
18	4178000853	Bracket	1	
19	7114080618	Screw, 0.80"-32NC X 0.75"	4	
20	7950100103	Flatwasher, #10 ID	2	
21	7701000032	Plug, Hole	2	

DECK ASSEMBLY - RH

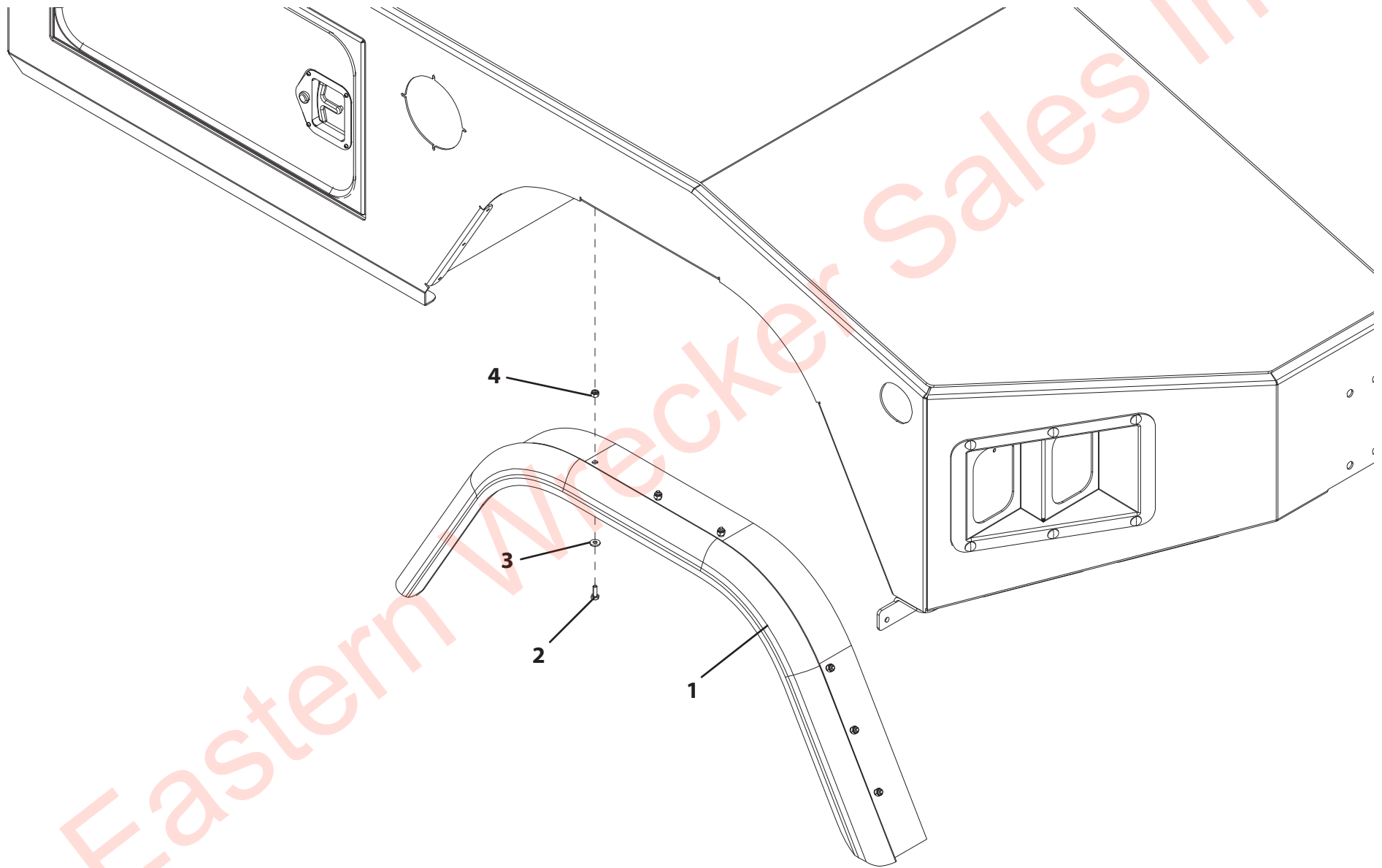


FENDER INSTALLATION FLARE 3.50" LIGHT DUTY

ITEM	PART NO.	DESCRIPTION	QTY	REV
	2415000031	Fender Installation Flare 3.50" Light Duty	Ref	
1	7415000036	Fender Flare	2	
2	7115140650	Capscrew, 0.25"-20NC X 0.75"	18	
3	7950140143	Flatwasher, 0.25" ID	18	
4	7660142601	Locknut, 0.25"-20NC	18	

Eastern Wrecker Sales Inc

FENDER INSTALLATION FLARE 3.50" LIGHT DUTY

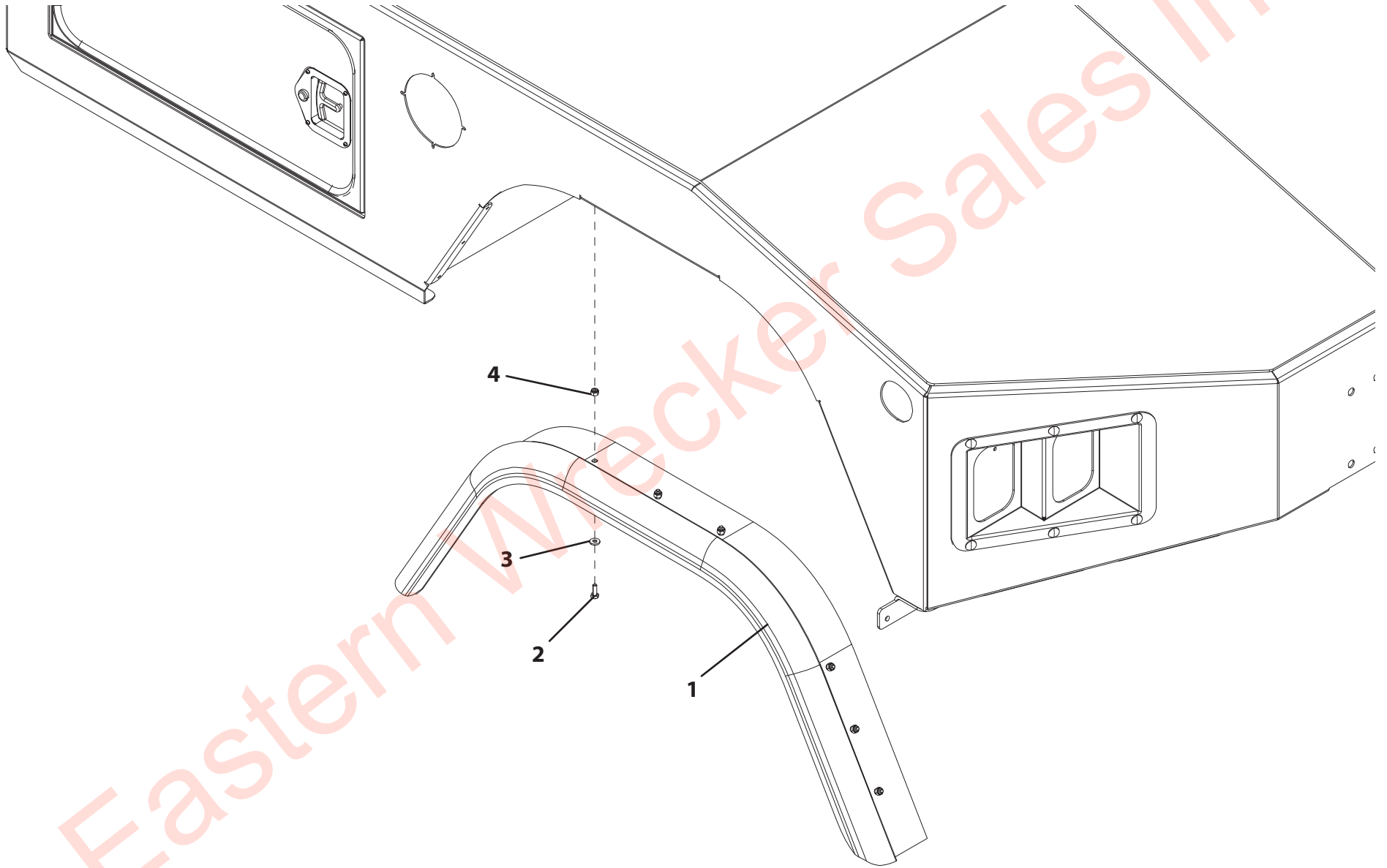


FENDER INSTALLATION FLARE 1.62" LIGHT DUTY

ITEM	PART NO.	DESCRIPTION	QTY	REV
	2415000030	Fender Installation Flare 1.62" Light Duty	Ref	
1	7415000035	Fender Flare	2	
2	7115140650	Capscrew, 0.25"-20NC X 0.75"	18	
3	7950140143	Flatwasher, 0.25" ID	18	
4	7660142601	Locknut, 0.25"-20NC	18	

Eastern Wrecker Sales Inc

FENDER INSTALLATION FLARE 1.62" LIGHT DUTY

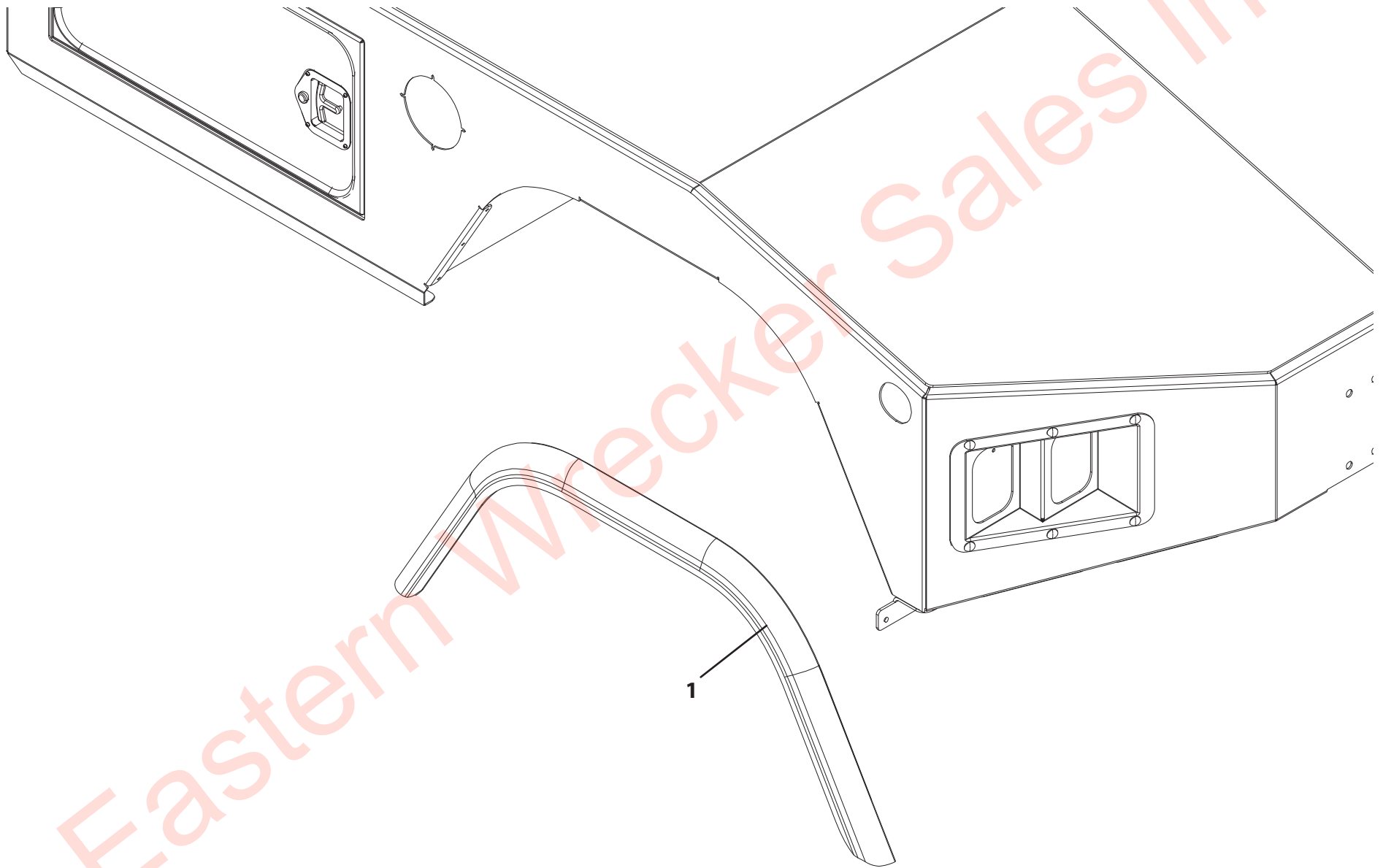


FENDER INSTALLATION FLARE FLUSH LIGHT DUTY

ITEM	PART NO.	DESCRIPTION	QTY	REV
	2415000032	Fender Installation Flare Flush Light Duty	Ref	
1	8495000001	Guard	10	
5	8830600004	Solvent	2	

Eastern Wrecker Sales Inc

FENDER INSTALLATION FLARE FLUSH LIGHT DUTY

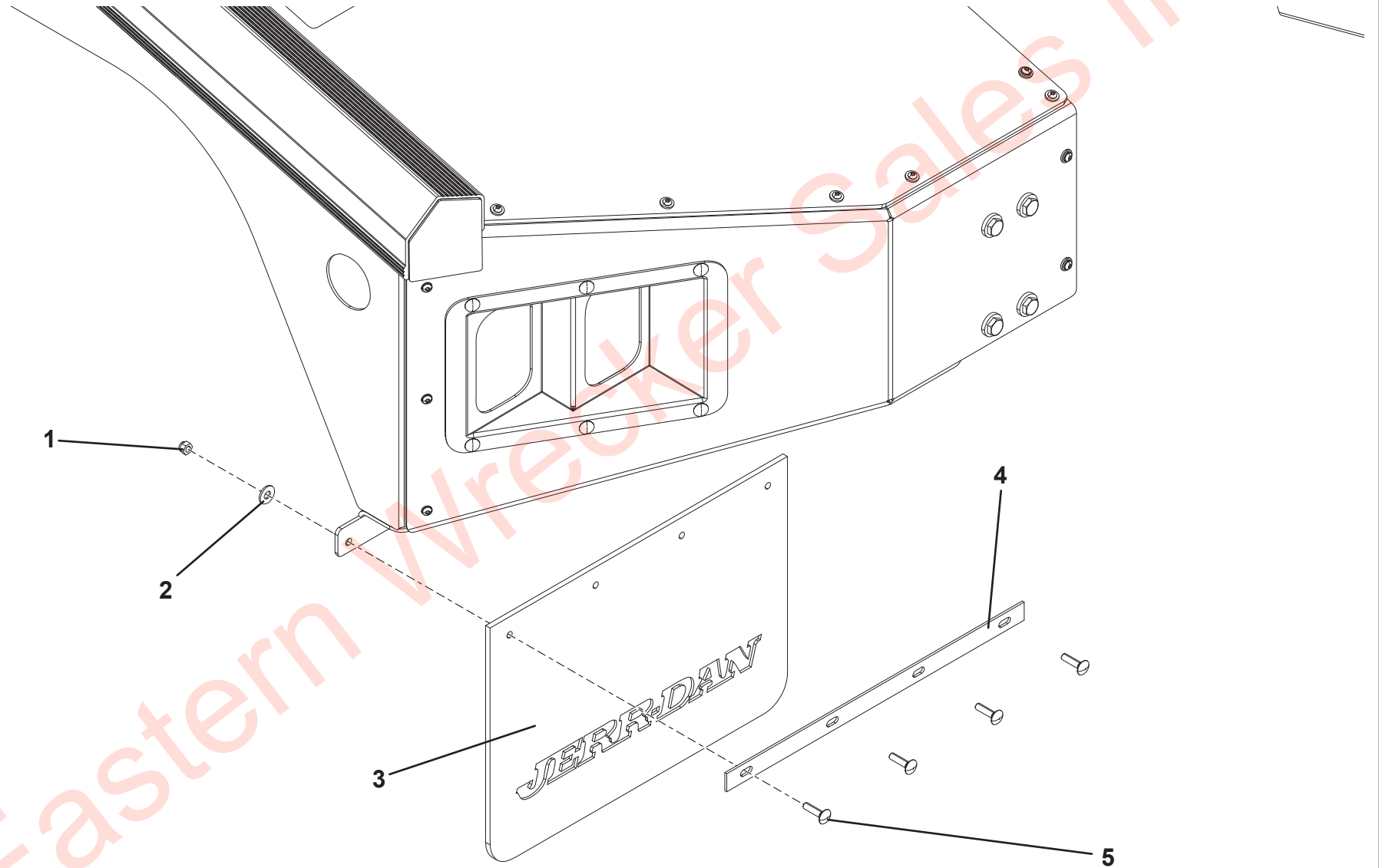


MUD FLAPS

ITEM	PART NO.	DESCRIPTION	QTY
1	7638000003	Flap Mud W/Jerr-Dan Logo - 19"	2
2	4706001123	Plate 0.13" X 1.00" X 19.00"	2
8	7115151064	Bolt 0.31"-18NC X 1.25" Carriage	8
9	7660152601	Locknut 0.031"-18NC Gr5 Hex Nyloc	8
10	7950150161	Flatwasher 0.31" Nom Wide - Pla	8

Eastern Wrecker Sales Inc

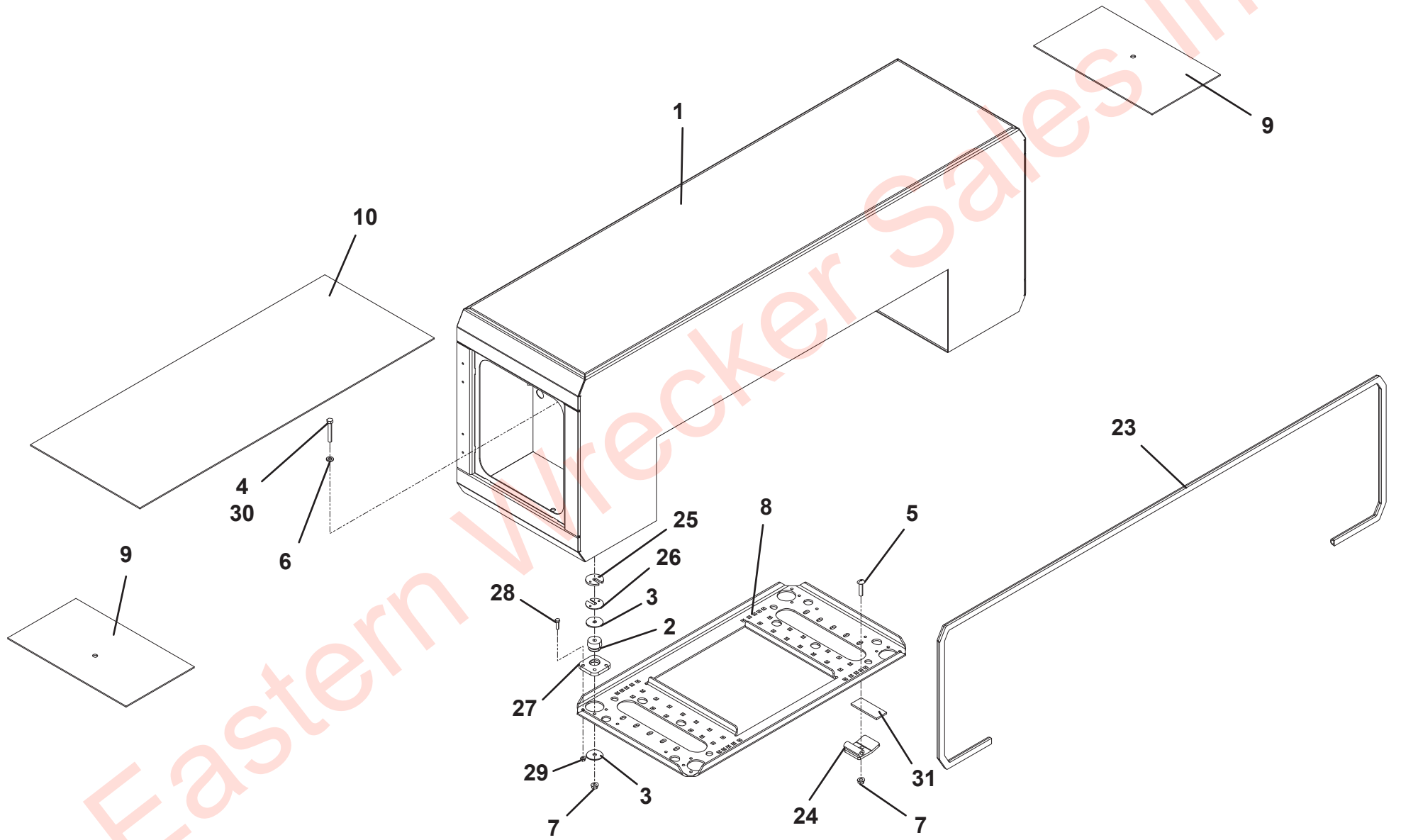
MUD FLAPS



TUNNEL TOOLBOX INSTALLATION

ITEM	PART NO.	DESCRIPTION	QTY
1	1001225081	24" Tunnel Toolbox	1
2	7636000005	Mount	4
3	7949000013	Washer	8
4	0641824	Capscrew, 0.50"-13 X 3.00"	4
5	7115181864	Bolt, 0.50" -13NC x 2.25"	4
6	7950180153	Flatwasher, 0.50"	4
7	7660182301	Locknut, 0.50"-13NC	8
8	4636000041	Plate	1
9	4679000333	Pad	2
10	4679000334	Pad	1
23	7796000078	Gasket	12.5ft
24	1001220359	Clamp	4
25	4812000108	Shim	4
26	4812000107	Shim	4
27	4706005869	Plate	4
28	0641610	Capscrew, 0.38"-16NC X 1.25"	12
29	7660162301	Locknut, 0.38"-16NC	12
30	0641826	Capscrew, 0.50"-13 X 3.25"	4
31	3340898	Pad	1

TUNNEL TOOLBOX INSTALLATION

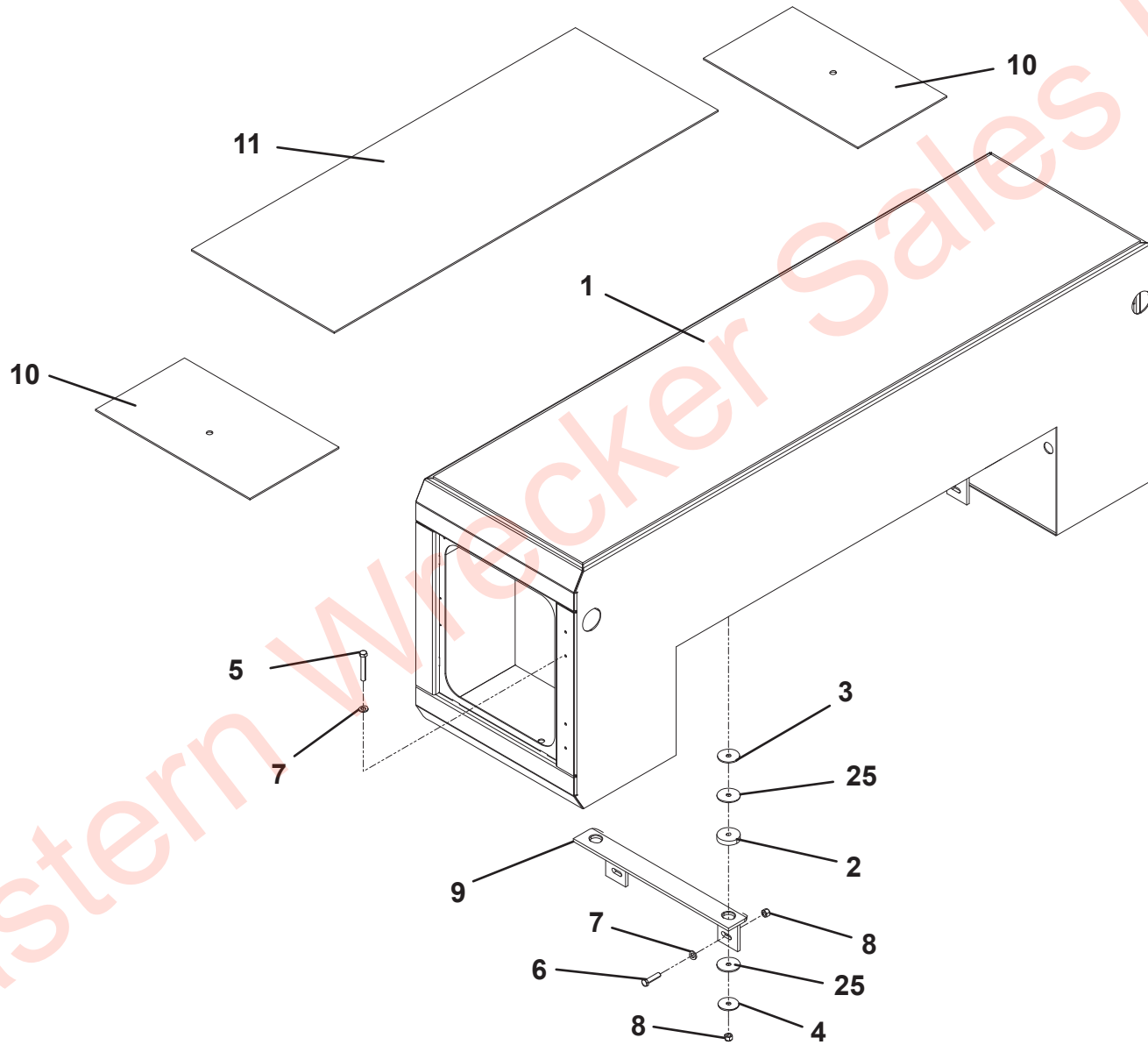


TUNNEL TOOLBOX INSTALLATION

ITEM	PART NO.	DESCRIPTION	QTY
1	1001225084	Box, Assy Tunnel MPL Arrow Brd	1
2	1001135107	Support, Adapter Tunnel Mount	4
3	7949000013	Washer 2.38" Dia. Rubber Head	4
4	7949000012	Washer 2.25" Dia. Rubber Tail	4
5	0641826	Scr Cap Hh 5, 0.50"-13" X 3.250"	4
6	0641816	Scr Cap Hh 5, 0.50"-13" X 2.00"	4
7	4891800	Wsh Hard 0.50" 0.526" 1.125" 0.187"	8
8	7660182601	Locknut 0.50"-13NC Gr5 Hex Nylo	8
9	4017000674	Angle 0.38" X 8.32" X 23.38"	2
10	4679000333	Pad 0.19" X 13.40" X 23.25" Rubbe	2
11	4679000334	Pad 0.19" X 21.50" X 57.83" Rubbe	1
24	7796000078	Gasket 0.9375" X 0.8125" High 50ft	12
25	1001135108	Pad, 0.13" X 0.50" X 2.50" Polyester	8

Eastern Wrecker Sales Inc

TUNNEL TOOLBOX INSTALLATION



STONE GUARD KIT, ALUMINUM BODY

ITEM	PART NO.	DESCRIPTION	QTY	REV
	1001127828	Stone Guard Kit, Aluminum Body	Ref	
1	4707000367	Plate Tread	1	
2	1001127820	Plate Tread	1	
3	7114140818	Capscrew, 0.25"-20NC X 1.00"	10	
4	7950140143	Flatwasher, 0.25" ID	20	
5	7660142600	Locknut, 0.25"-20NC	10	

Eastern Wrecker Sales Inc

STONE GUARD KIT, ALUMINUM BODY

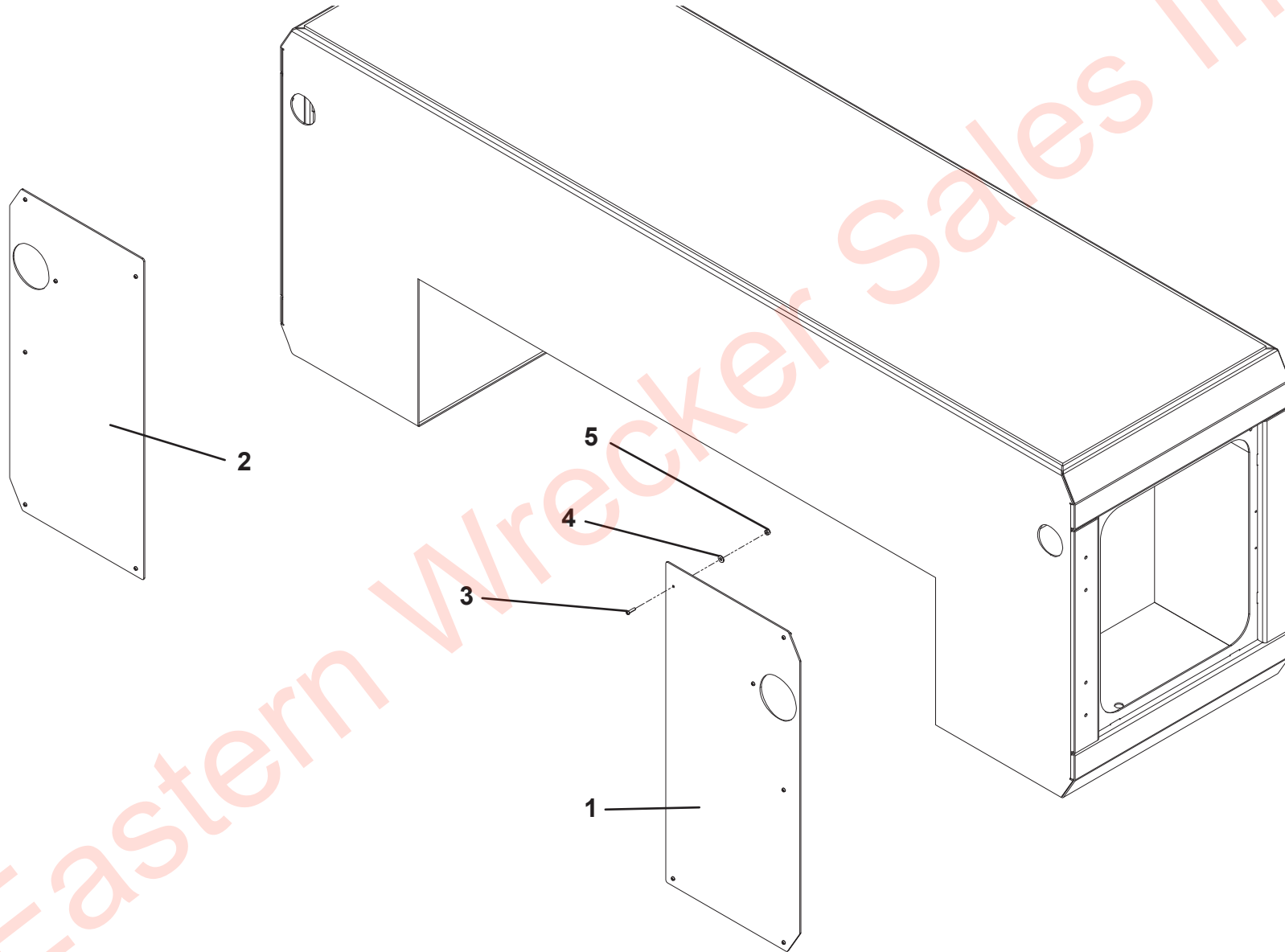
Eastern Wrecker Sales Inc

STONE GUARD KIT ALUMINUM TUNNEL TOOLBOX

ITEM	PART NO.	DESCRIPTION	QTY
1	1001130417	Panel, LH	1
2	1001130418	Panel, RH	1
3	7114100618	Capscrew, #10-24NC x 0.75"	12
4	7950100103	Flatwasher, #10 ID	12
5	7660102604	Locknut, #10-24NC	12

Eastern Wrecker Sales Inc

STONE GUARD KIT ALUMINUM TUNNEL TOOLBOX



34" HIGH BODY MTD STEEL LIGHT PYLON

ITEM	PART NO.	DESCRIPTION	QTY	REV
	1001211205	34" High Body MTD Steel Light Pylon	Ref	A
1	2509570126	Light Pylon Installation 34"	1	
2	3509330108	Elect Assembly Base Pylon	1	

Eastern Wrecker Sales Inc

34" HIGH BODY MTD STEEL LIGHT PYLON

Eastern Wrecker Sales Inc

38" HIGH BODY MTD STEEL LIGHT PYLON

ITEM	PART NO.	DESCRIPTION	QTY	REV
	1001211206	38" High Body MTD Steel Light Pylon	Ref	A
1	2509570121	Light Pylon Installation 37"	1	
2	3509330108	Elect Assembly Base Pylon	1	

Eastern Wrecker Sales Inc

38" HIGH BODY MTD STEEL LIGHT PYLON

Eastern Wrecker Sales Inc

PYLON 28" TOOLBOX MTD ALUM - 12V

ITEM	PART NO.	DESCRIPTION	QTY
1	2509570057	Light Pylon Inst 28.31" MPL/MP	1
2	3509330109	Elect Assy Pylon & Tunnel MPL4	1

Eastern Wrecker Sales Inc

PYLON 28" TOOLBOX MTD ALUM - 12V

Eastern Wrecker Sales Inc

PYLON 28" TOOLBOX MTD ALUM 3 MRK LIGHTS -

ITEM	PART NO.	DESCRIPTION	QTY
1	2550000420	Light Pylon Instll 28.31" MPL-	1
2	1001137306	Install, Elec MPL 84ca 3marker	1

Eastern Wrecker Sales Inc

PYLON 28" TOOLBOX MTD ALUM 3 MRK LIGHTS - 12V

Eastern Wrecker Sales Inc

PYLON 33" TOOLBOX MTD ALUM - 12V

ITEM	PART NO.	DESCRIPTION	QTY
1	2509570106	Light Pylon Instl 33.00" MPL-4	1
2	3509330109	Elect Assy Pylon & Tunnel MPL40	1

Eastern Wrecker Sales Inc

PYLON 33" TOOLBOX MTD ALUM - 12V

Eastern Wrecker Sales Inc

PYLON 42" TOOLBOX MTD ALUM - 12V

ITEM	PART NO.	DESCRIPTION	QTY
1	2509570061	Light Pylon Inst 41.50" MPL-40	1
2	3509330109	Elect Assy Pylon & Tunnel MPL40	1

Eastern Wrecker Sales Inc

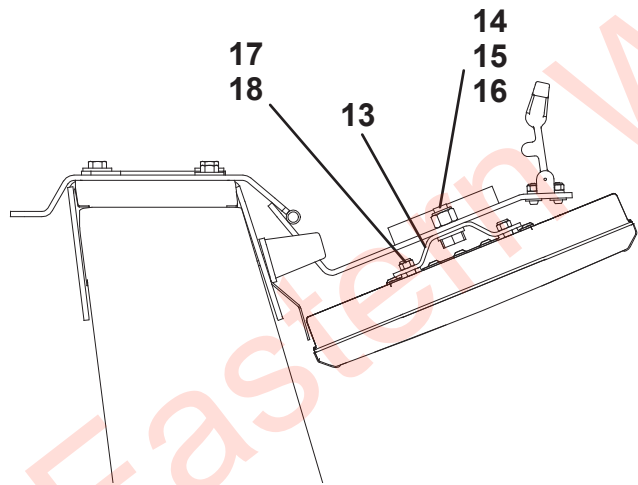
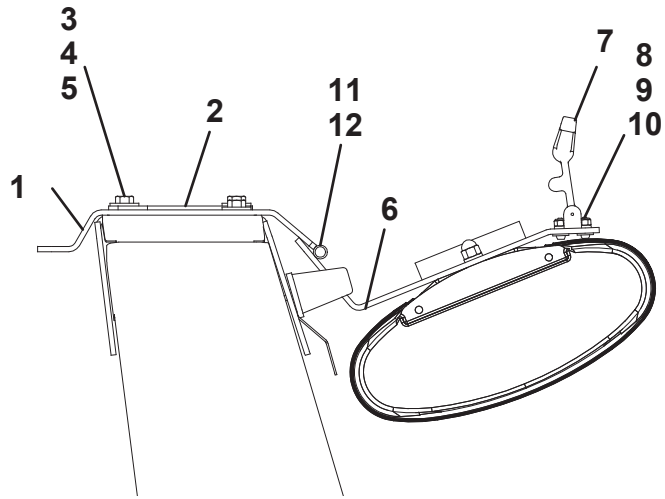
PYLON 42" TOOLBOX MTD ALUM - 12V

Eastern Wrecker Sales Inc

FOLD DOWN LIGHT BAR

ITEM	PART NO.	DESCRIPTION	QTY
1	3178000443	Bracket	2
2	4090000012	Belt	2
3	7115161250	Capscrew, 0.38"-16NC x 1.50"	8
4	7950160161	Flatwasher, 0.38" ID	8
5	7660162601	Locknut, 0.38"-16NC	8
6	3178000444	Bracket	2
7	7585000001	Latch	2
8	7114100518	Capscrew, #10-24NC x 0.62"	4
9	7950100103	Flatwasher, #10 ID	4
10	7660102604	Locknut, #10-24NC	4
11	7690144800	Pin	2
12	7690000810	Pin	2
13	4178000402	Bracket	4
14	7115190950	Capscrew, 0.50"-13NC x 1.13"	4
15	7660182601	Locknut, 0.50"-13NC	4
16	7950180150	Flatwasher, 0.50" ID	4
17	7115150664	Bolt, 0.31"-18NC x 0.75"	4
18	7660152601	Locknut, 0.31"-18NC	4

FOLD DOWN LIGHT BAR



THIS PAGE INTENTIONALLY LEFT BLANK

Eastern Wrecker Sales Inc

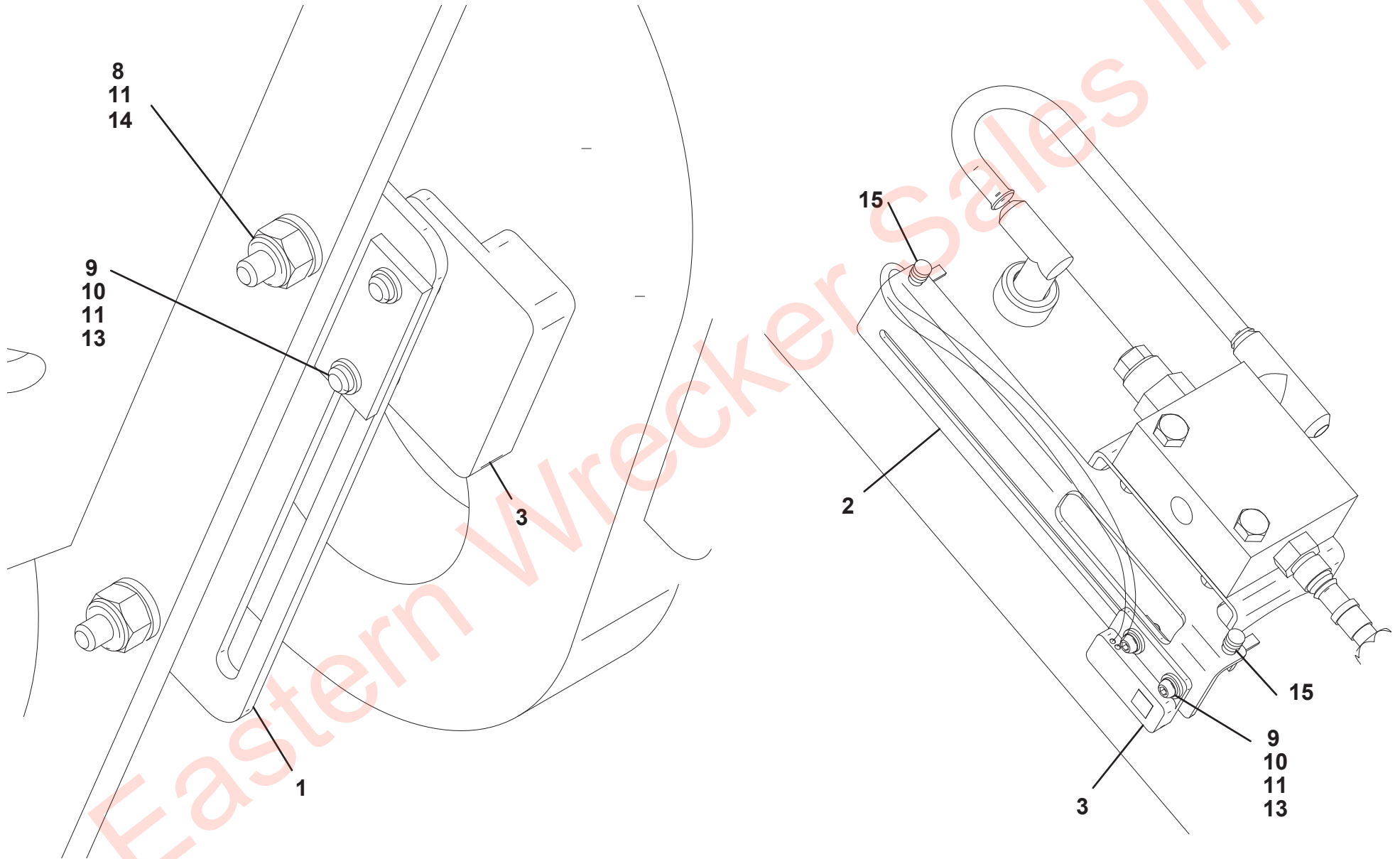
SECTION 4 - CONTROL

Eastern Wrecker Sales Inc

UNDERLIFT LEVEL STOP

ITEM	PART NO.	DESCRIPTION	QTY	REV
	2509170077	Underlift Level Stop	Ref	C
1	4178000709	Bracket	1	
2	4178000705	Bracket	1	
3	7870000126	Switch Steel Sensing Prox	2	
4	7346000261	Electrical controller Level Stop Relay	1	
5	7552000367	Harness Level Switch Lift Cylinder	1	
6	7552000368	Harness Level Switch Tilt Cylinder	1	
7	7114100618	Screw, #10-24NC X 0.75"	2	
8	7114100818	Screw, #10-24NC X 1.00"	2	
9	7114100518	Screw, #10-24NC X 0.62"	4	
10	7950100003	Washer	4	
11	7950100103	Flatwasher, #10	8	
12	7950100163	Flatwasher, #10	8	
13	7661000056	Nut	2	
14	7660102604	Locknut, #10-24NC	4	
15	7894000042	Tie Strap	4	
16	5526000553	Tie Strap Plastic	10	
17	7894000004	Tie Strap Plastic	3	

UNDERLIFT LEVEL STOP

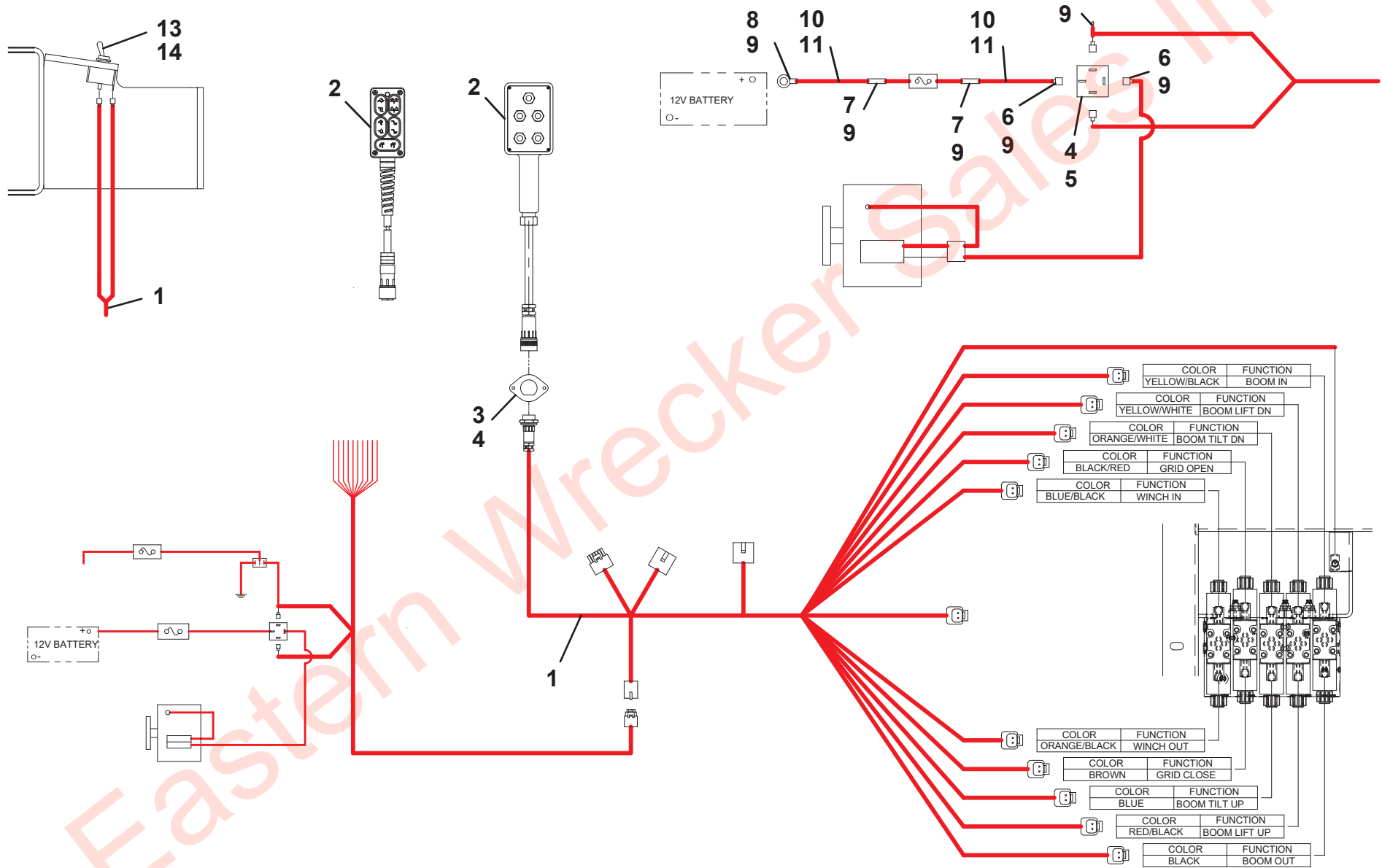


ELECTRICAL ASSEMBLY CONTROLS

ITEM	PART NO.	DESCRIPTION	QTY	REV
	3509330126	Electrical Assembly Controls	Ref	C
1	7552000365	Harness	1	
2	7295000062	Controller	1	
3	4706003402	Plate	1	
4	7120000034	Screw #10 X 0.75"	3	
5	7740000003	Relay	1	
6	7345001710	Tab	2	
7	7345001714	Terminal	1	
8	7345221702	Terminal	1	
9	7346000039	Tube	1	
10	8977500100	Wire	3	
11	8597650002	Wire	3	
13	1001174496	Switch	1	
14	7560000004	Boot Toggle Switch	1	

Eastern Wrecker Sales Inc

ELECTRICAL ASSEMBLY CONTROLS

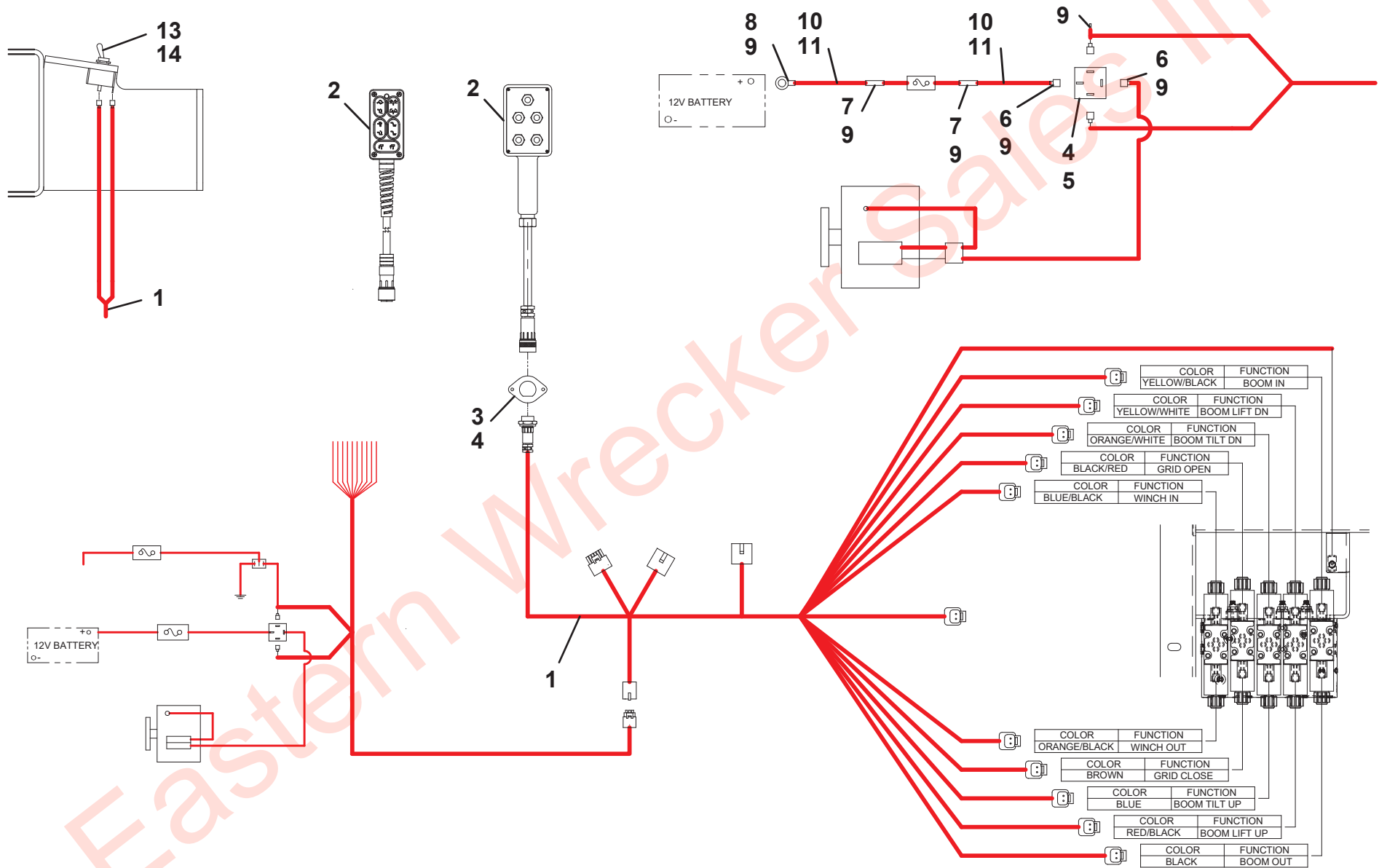


ELECTRICAL WIRED CONTROLS

ITEM	PART NO.	DESCRIPTION	QTY	REV
	1001127427	Electrical Wired Controls	Ref	C
1	7552000365	Harness	1	
2	7295000131	Controller	1	
3	4706003402	Plate	1	
4	7120000034	Screw, #10 X 0.75"	3	
5	7740000003	Relay	1	
6	7345001710	Tab	2	
7	7345001714	Terminal	2	
8	7345221702	Terminal	1	
9	7346000039	Tube	1	
10	8977500100	Wire	3	
11	8597650002	Wire	3	
13	1001174496	Switch	1	
14	7560000004	Boot Toggle Switch	1	

Eastern Wrecker Sales Inc

ELECTRICAL WIRED CONTROLS

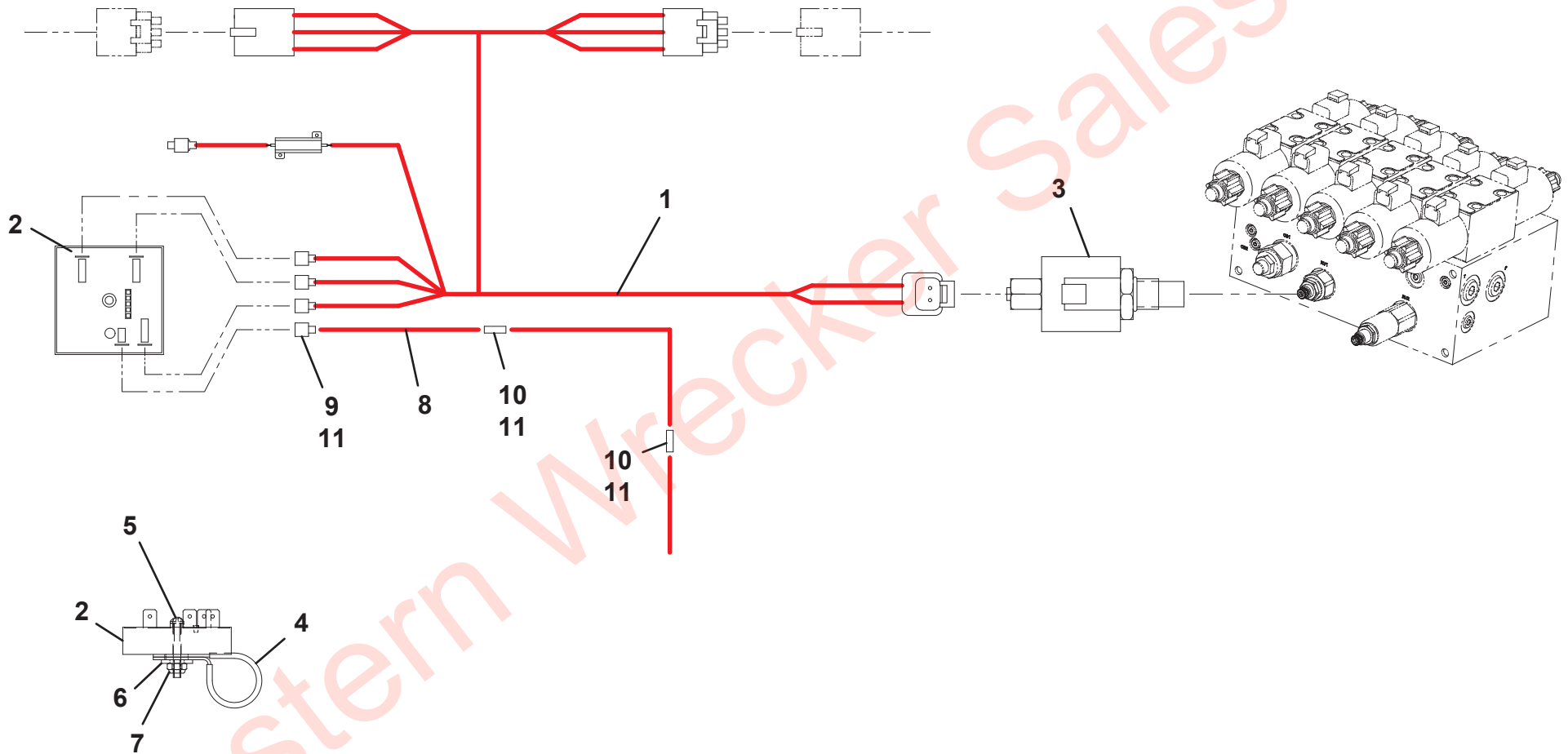


ELECTRICAL ASSEMBLY ANTI-STALL, 2011-2016 FORD V-8 GAS

ITEM	PART NO.	DESCRIPTION	QTY	REV
	1001126958	Electrical Assembly Anti-Stall, 2011-2016 FORD V-8 GAS	Ref	
1	7552000427	Harness, Anti-Stall	1	
2	1001126957	Anti-Stall Control	1	
3	7935000361	Valve	1	
4	7274000040	Clamp	1	
5	7114060810	Capscrew, #6-32NC X 1.00"	1	
6	7950100163	Flatwasher, #10	1	
7	7660062604	Locknut, #6-32NC	1	
8	8977010400	Wire	2	
9	7345001710	Tab	1	
10	7345001714	Terminal	2	
11	7346000039	Tubing	A/R	

Eastern Wrecker Sales Inc

ELECTRICAL ASSEMBLY ANTI-STALL, 2011-2016 FORD V-8 GAS

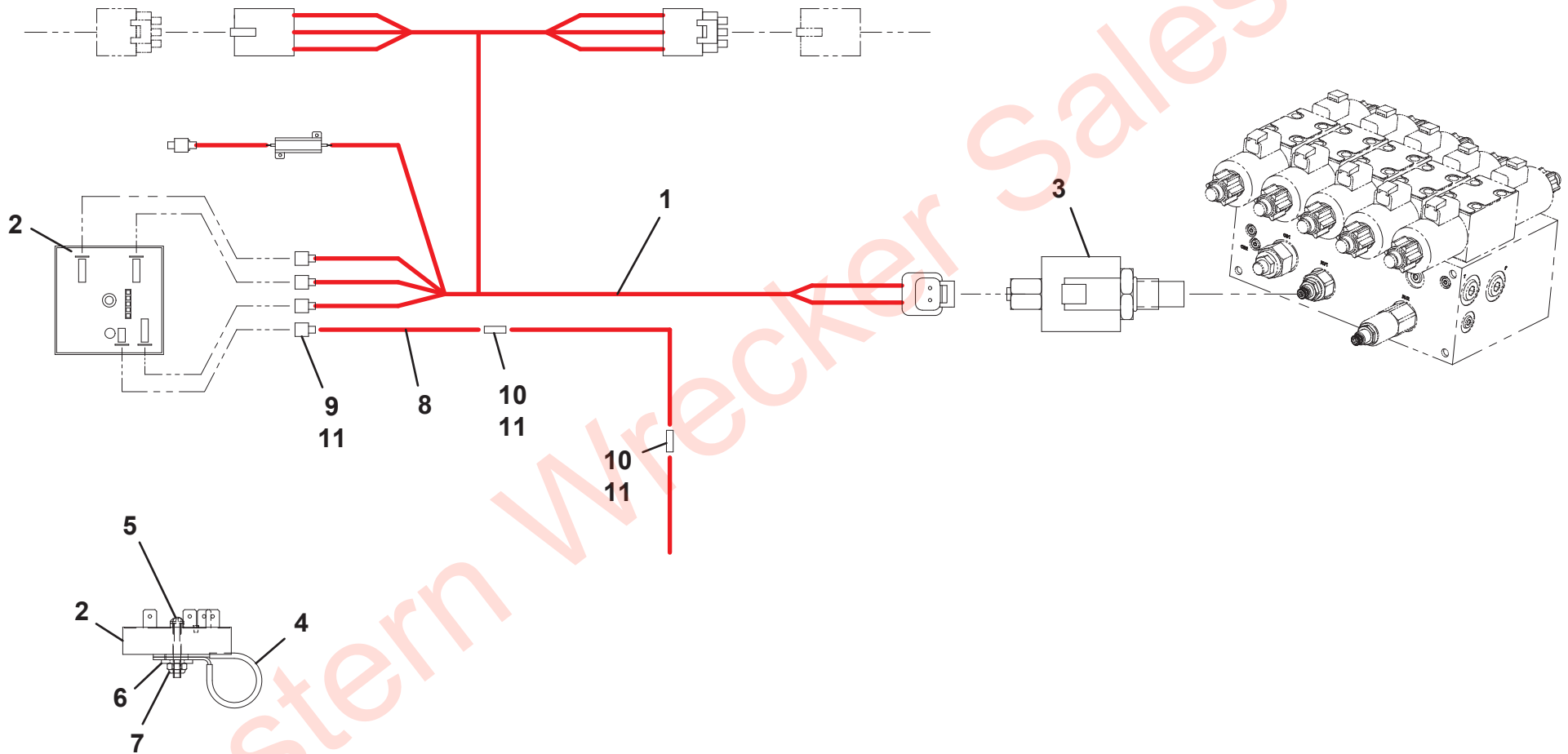


ELECTRICAL ASSEMBLY ANTI-STALL, 2008 FORD V-10 GAS

ITEM	PART NO.	DESCRIPTION	QTY	REV
	3509330128	Electrical Assembly Anti-Stall, 2008 FORD V-10 GAS	Ref	
1	7552000427	Harness, Anti-Stall	1	
2	3295000003	Control Assembly	1	
3	7935000361	Valve	1	
4	7274000040	Clamp	1	
5	7114060810	Capscrew, #6-32NC X 1.00"	1	
6	7950100163	Flatwasher, #10	1	
7	7660062604	Locknut, #6-32NC	1	
8	8977010400	Wire	2	
9	7345001710	Tab	1	
10	7345001714	Terminal	2	
11	7346000039	Tubing	A/R	

Eastern Wrecker Sales Inc

ELECTRICAL ASSEMBLY ANTI-STALL, 2008 FORD V-10 GAS



THIS PAGE INTENTIONALLY LEFT BLANK

Eastern Wrecker Sales Inc

SECTION 5 - CYLINDER

Eastern Wrecker Sales Inc

BOOM LIFT CYLINDER ASSEMBLY

ITEM	PART NO.	DESCRIPTION	QTY	REV
	1001194371	Boom Lift Cylinder Assembly	Ref	B

Eastern Wrecker Sales Inc

BOOM LIFT CYLINDER ASSEMBLY

**BBL Art To Be Inserted Soon
Waiting on Vendor Information**

UNDERLIFT TILT CYLINDER ASSEMBLY

ITEM	PART NO.	DESCRIPTION	QTY	REV
	1001194372	Underlift Tilt Cylinder Assembly	Ref	B

Eastern Wrecker Sales Inc

UNDERLIFT TILT CYLINDER ASSEMBLY

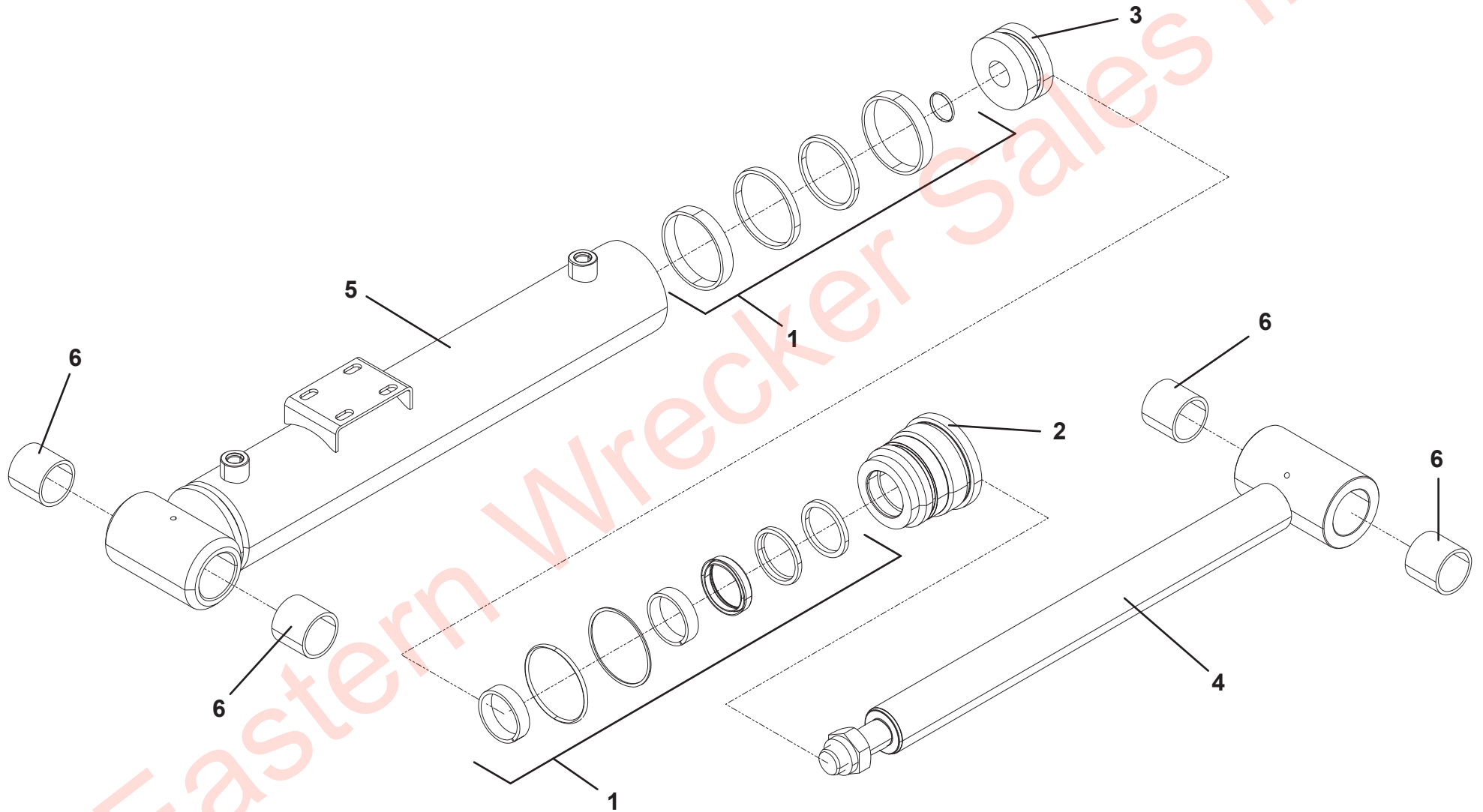
**BBL Art To Be Inserted Soon
Waiting on Vendor Information**

CYLINDER ASSEMBLY - 7320000077

ITEM	PART NO.	DESCRIPTION	QTY
1	70051664	Seal Kit	1
2	70051660	Head	1
3	70051661	Piston	1
4	70051662	Rod Weldment	1
5	70051663	Barrel Weldment	1

Eastern Wrecker Sales Inc

CYLINDER ASSEMBLY - 7320000077

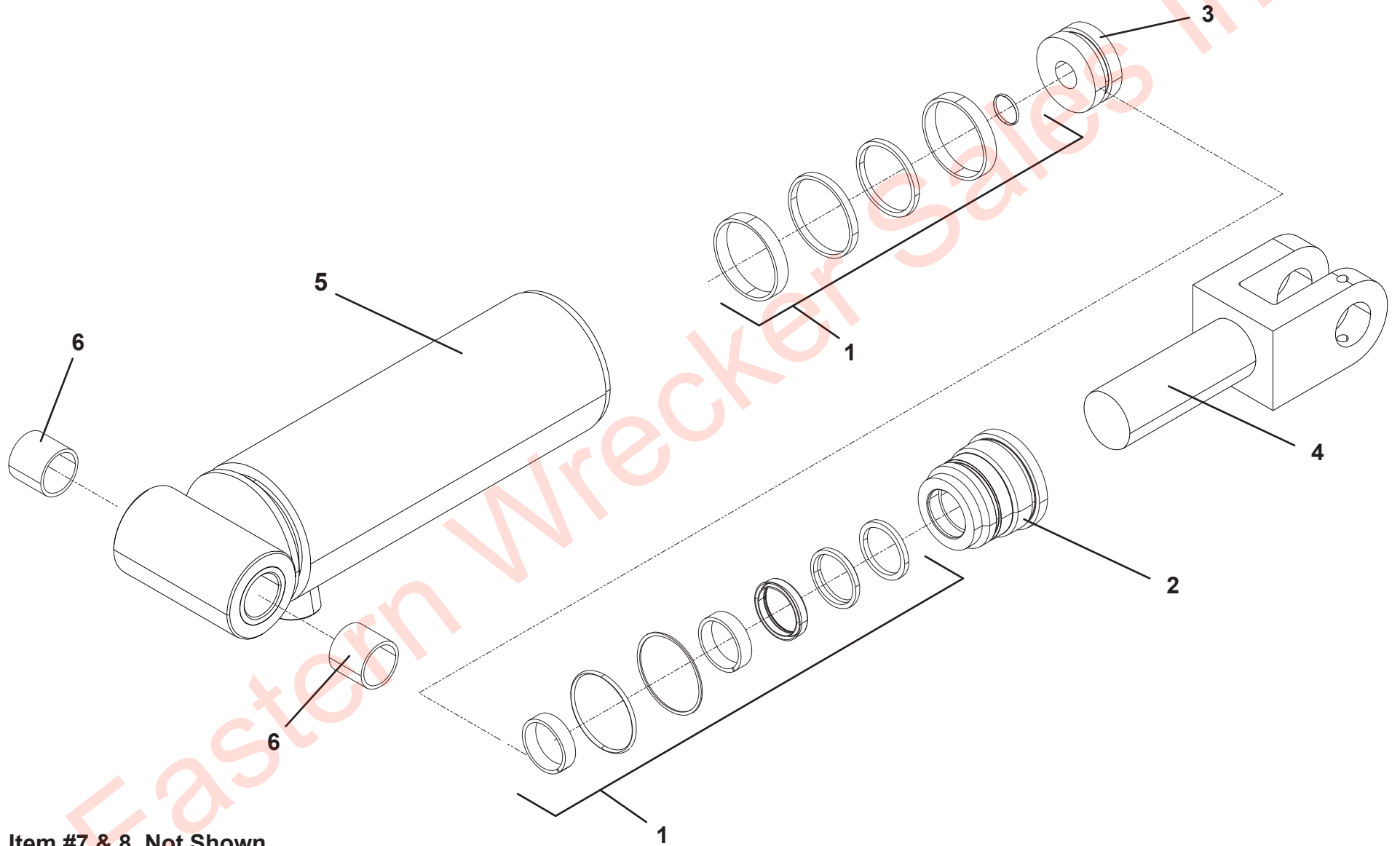


CYLINDER ASSEMBLY - 7320000064

ITEM	PART NO.	DESCRIPTION	QTY
1	70051482	Seal Kit	1
2	70051654	Head	1
3	70051655	Piston	1
4	70051656	Rod Weldment	1
5	70051657	Barrel Weldment	1
6	7082000026	Bearings	4
7	70051658	Retention Pill	1
8	70051659	Roll Pin	1

Eastern Wrecker Sales Inc

CYLINDER ASSEMBLY - 7320000064



Item #7 & 8, Not Shown

THIS PAGE INTENTIONALLY LEFT BLANK

Eastern Wrecker Sales Inc

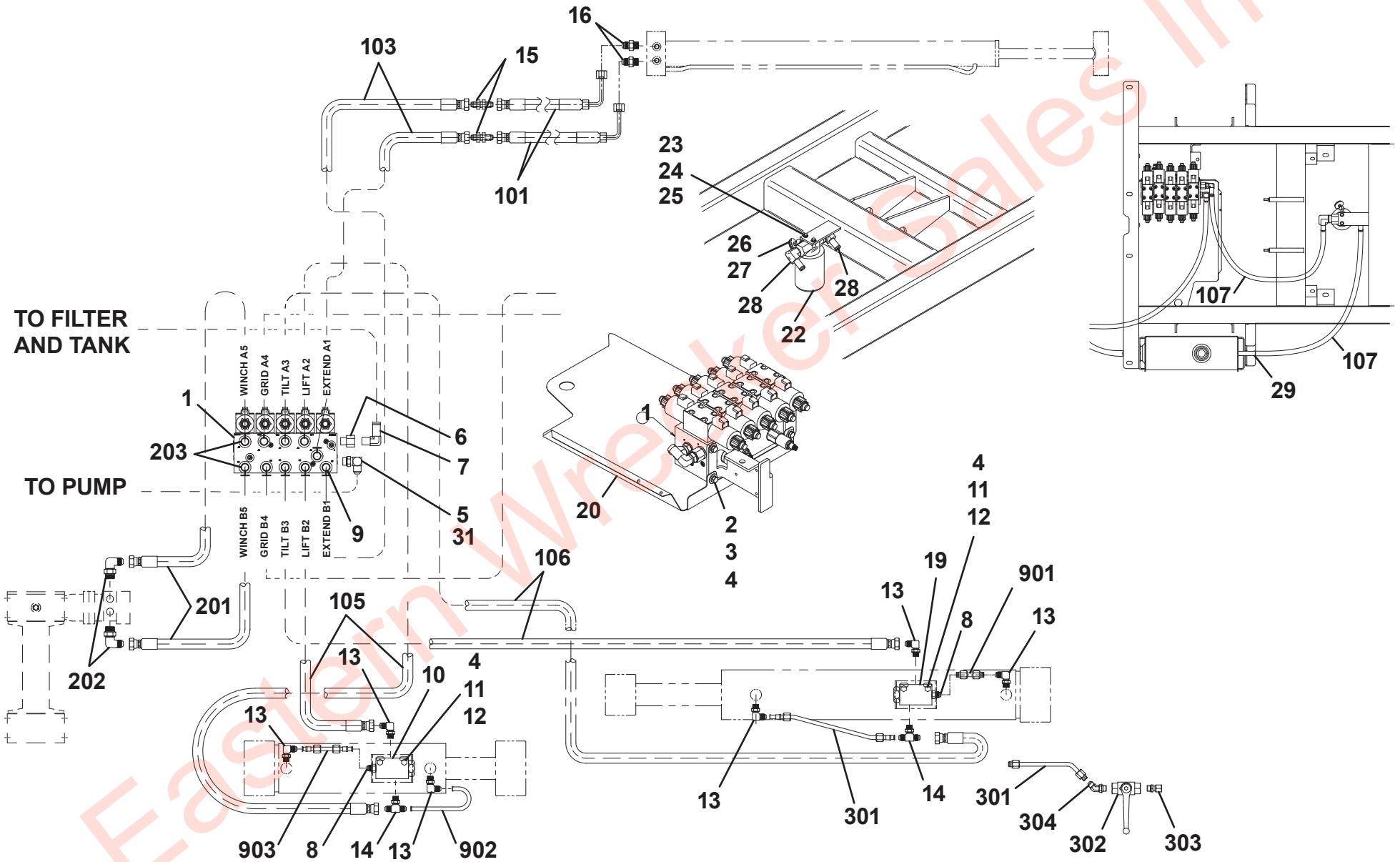
SECTION 6 - HYDRAULIC

Eastern Wrecker Sales Inc

HYDRAULIC LINES AND FITTINGS

ITEM	PART NO.	DESCRIPTION	QTY	REV	ITEM	PART NO.	DESCRIPTION	QTY	REV
	5264001114	Hydraulic Lines and Fittings	Ref	B	24	7950140003	Lockwasher, 0.25"	2	
	3509530154	Hose Installation W/O Anti-Stall (includes items 1 thru 31)	1	D	25	7950140143	Flatwasher, 0.25"	2	
	3509530155	Hose Installation W/ Anti-Stall (includes items 1 thru 31)	1	C	26	7443000066	Fitting	1	
	1001137496	Hose, Kit HLF and Return (includes items 101 thru 107)	1	A	27	7470000002	Gauge	1	
	3509530149	Hose Installation W/O Winch (includes items 203)	1		28	7443000319	Fitting	2	
	3509530150	Hose Installation Tilt Cylinder W/O Ball Valve (includes items 301)	1		29	7274000080	Clamp	4	
	3509530151	Hose Installation Tilt Cylinder W/ Ball Valve (includes items 301 thru 304)	1			7274000122	Clamp	4	
	7577000623	Kit Steel Tube Kit (includes items 901 thru 903)	1	A	30	7577000623	Steel Tube Kit	1	
1	7935000311	Valve - W/O Anti-Stall	1		31	7445080818	Nut	1	
	7935000363	Valve - W/ Anti-Stall	1		101	4570000304	Hose Assembly	2	
2	7115150850	Capscrew, 0.31"-18NC x 1.00"	4		103	4567120112	Hose Assembly	2	
3	7950150000	Washer, 0.31"	4		105	4567120056	Hose Assembly	2	
4	7950150161	Flatwasher, 0.31"	8		106	4567120087	Hose Assembly	2	
5	7445080845	Fitting	1		107	4570000370	Hose Assembly	2	
6	7443000435	Fitting	1		203	7443000048	Fitting	2	
7	7443000436	Fitting	1		301	7912000292	Tube Assembly	1	
8	7445060643	Adapter	2		301	7912000315	Tube Assembly	1	
9	7445060843	Adapter	6		302	7935000345	Valve, High Pressure Ball	1	
10	7935000308	Valve	1		303	7445060698	Fitting	1	
11	7114151650	Capscrew, 0.31"-18NC X 2.00"	4		304	7445060646	Elbow	1	
12	7660152601	Locknut, 0.31" - 18NC	4		901	7912000078	Tube Assembly	1	
13	7445060645	Fitting	6		902	7912000080	Tube Assembly	1	
14	7445060647	Fitting	2		902	7912000348	Tube Assembly	1	
15	7445060625	Fitting	2		903	7912000291	Tube Assembly	1	
16	7445040443	Adapter	2						
17	4819000008	Sleeve	1						
18	7819000005	Sleeve	0.5						
19	1001173683	Valve	1						
20	4495000011	Guard	1						
21	5526000553	Tie Strap	3						
22	7430000003	Filter Assembly	1						
23	7114140650	Capscrew, 0.25"-20NC X 0.75"	2						

HYDRAULIC LINES AND FITTINGS



VALVE ASSEMBLY PARKER

ITEM	PART NO.	DESCRIPTION	QTY	REV
	7935000311	Valve Assembly Parker	Ref	C
1		Valve Body	1	
2		Directional Valve	2	
3		Relief valve	1	
4		Plug	14	
5		Plug	2	
6		Screw, 0.31"-18NC	20	
7		Plug	2	
8		Directional Valve	1	
9		Diff. Relief valve	1	
10		Plug	6	
11		Counterbalance Valve	1	
12		Directional Valve	2	

Eastern Wrecker Sales Inc

VALVE ASSEMBLY PARKER

**BBL Art To Be Inserted Soon
Waiting on Vendor Information**

VALVE ASSEMBLY PARKER

ITEM	PART NO.	DESCRIPTION	QTY	REV
	7935000363	Valve Assembly Parker	Ref	C
1		Valve Body	1	
2		Directional Valve	2	
3		Plug	1	
4		Plug	14	
5		Plug	2	
6		Screw, 0.31"-18NC	20	
7		Plug	2	
8		Directional Valve	1	
9		Diff. Relief valve	1	
10		Plug	6	
11		Counterbalance Valve	1	
12		Directional Valve	2	

Eastern Wrecker Sales Inc

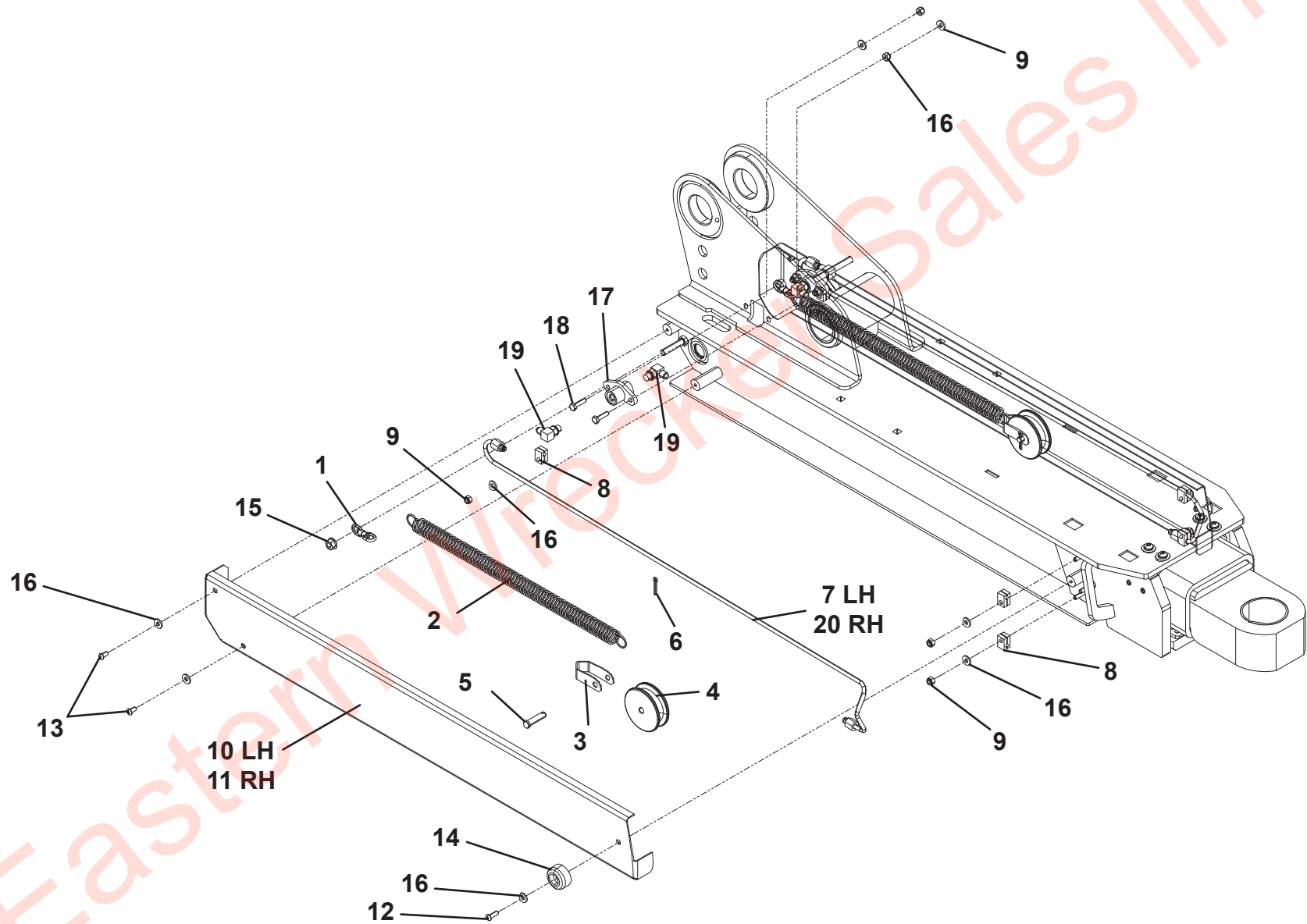
VALVE ASSEMBLY PARKER

**BBL Art To Be Inserted Soon
Waiting on Vendor Information**

UNDERLIFT HOSE TRACK ASSEMBLY

ITEM	PART NO.	DESCRIPTION	QTY
1	7592000004	Swivel	2
2	7843000031	Spring	2
3	4706003501	Plate	2
4	7719000004	Roller	2
5	7691000040	Clevis	2
6	7691000042	Cotter Pin	2
7	7912000346	Tube Assembly	1
8	7274000073	Hose Clamp	6
9	7660142604	Locknut, 0.25" - 20NC	10
10	4706004066	Plate, LH	1
11	4706004067	Plate, RH	1
12	7114140618	Capscrew, 0.25" - 20NC x 0.75"	2
13	7114140427	Capscrew, 0.25" - 20NC x 0.50"	4
14	7189000019	Rubber Bumper	2
15	7660162301	Locknut, 0.38" - 16NC	2
16	7950140143	Flatwasher, 0.25" ID	16
17	3619000001	Manifold	2
18	7115140850	Capscrew, 0.25" - 20NC x 1.00"	4
19	7445040445	Elbow	4
20	7912000347	Tube Assembly	1

UNDERLIFT HOSE TRACK ASSEMBLY

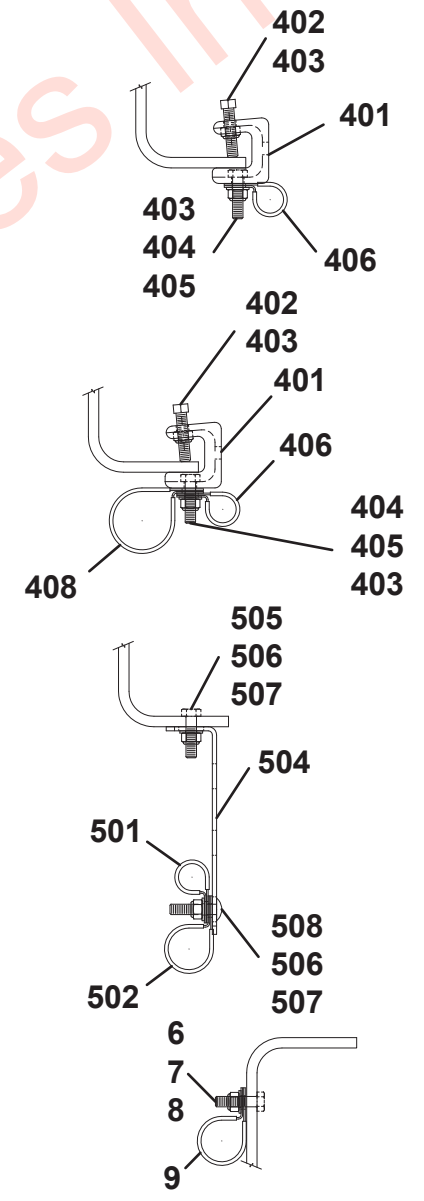
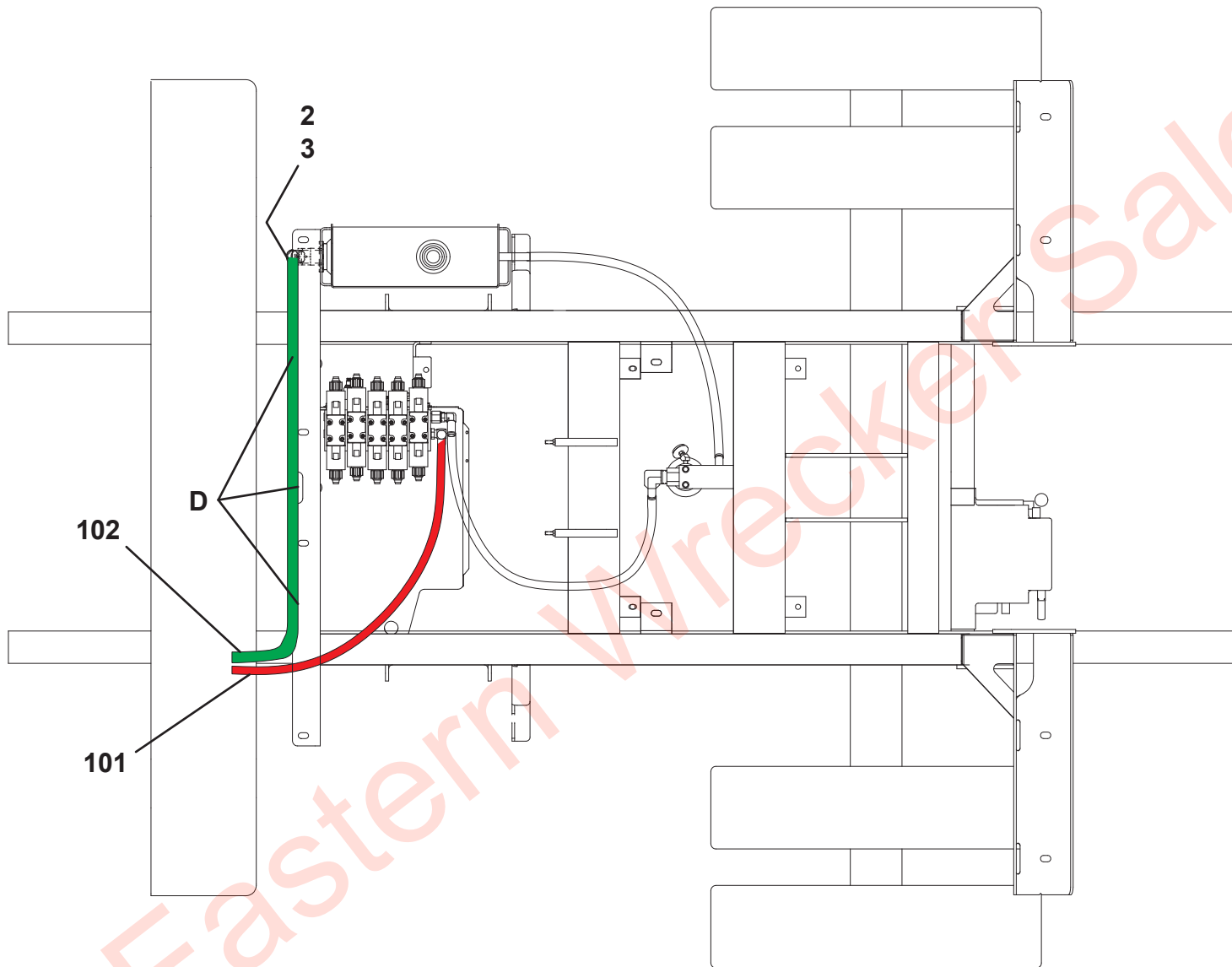


SPR HOSE INSTALLATION 137" WB GM G-CP

ITEM	PART NO.	DESCRIPTION	QTY	REV
	1001132808	Spr Hose Installation 137" Wb GM G-CP	Ref	B
1	1001132833	Hose Kit	1	
2	7443000412	Elbow	1	
3	7274000002	Clamp	2	
4	1001132794	Clamp Kit	3	
5	1001132800	Clamp Kit	3	
6	7115150864	Bolt, 0.31"-18NC X 1.00"	3	
7	7274000040	Clamp	3	
8	7950150161	Flatwasher, 0.31" ID	3	
9	7660162601	Locknut, 0.31"-18NC	3	
10	7819000013	Sleeve	2	
	1001132833	Hose Kit	Ref	0
101	4567630151	Hose Assembly	1	
102	1001132633	Hose Assembly	1	

Eastern Wrecker Sales Inc

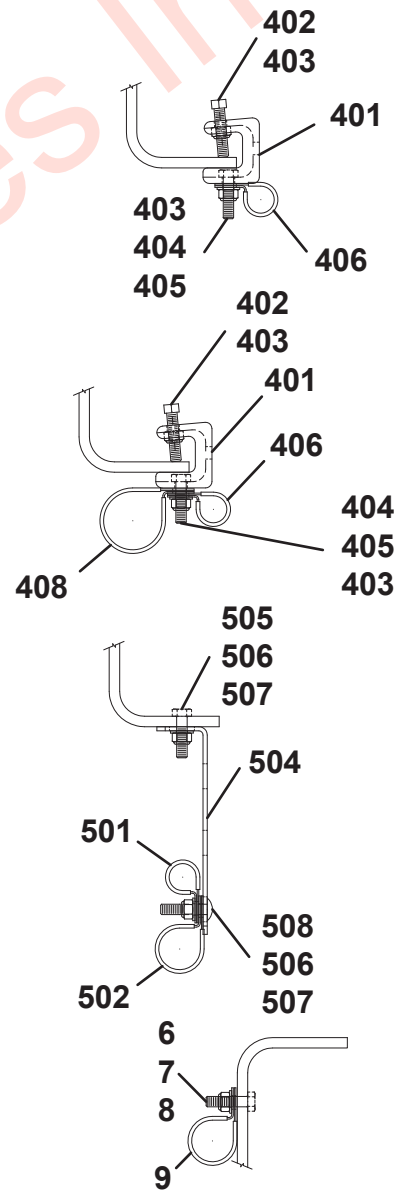
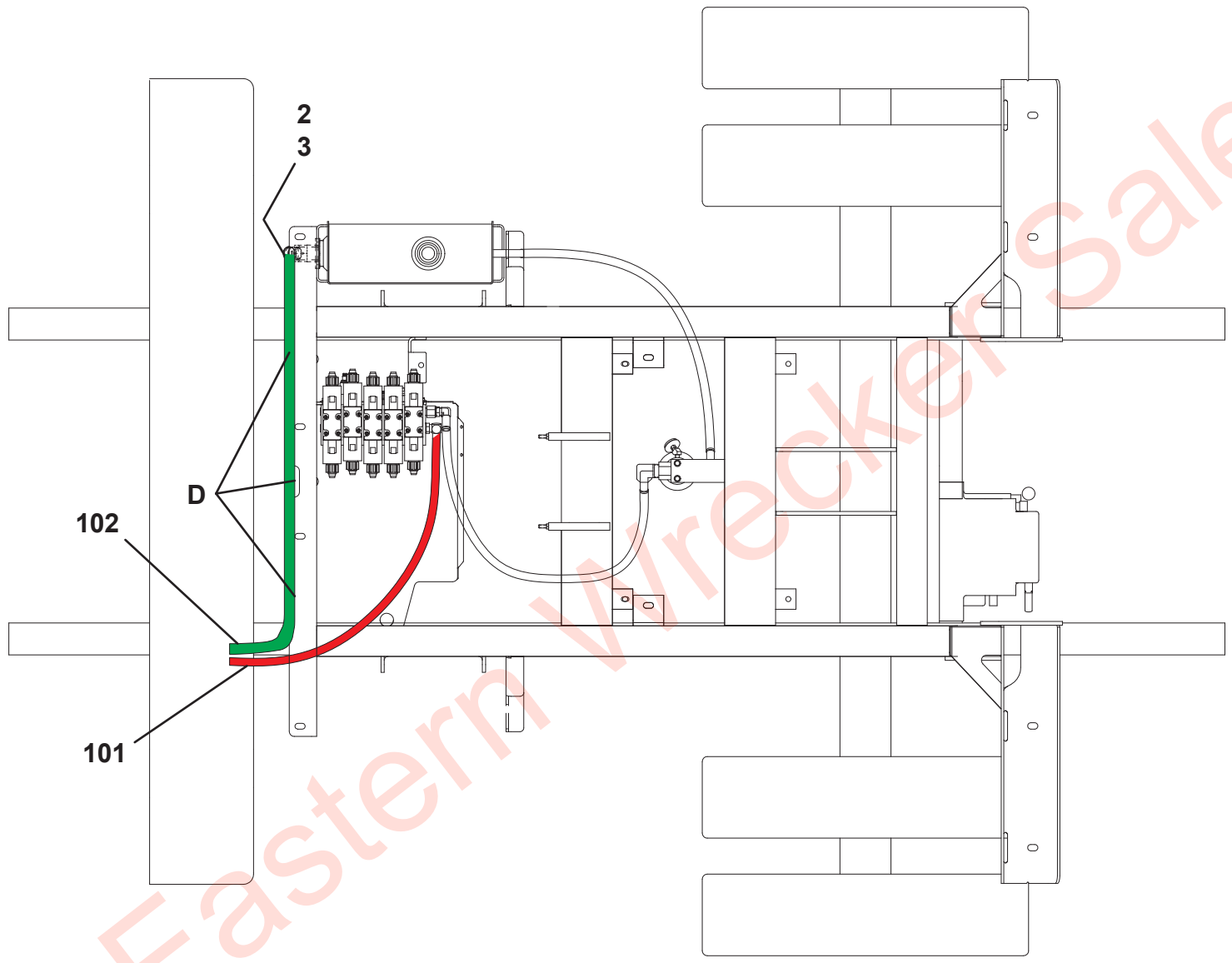
SPR HOSE INSTALLATION 137" WB GM G-CP



SPR HOSE INSTALLATION 144" WB, DG D-CP

ITEM	PART NO.	DESCRIPTION	QTY	REV
	1001132809	Spr Hose Installation 144" Wb, DG D-CP	Ref	B
1	1001132834	Hose Kit	1	
2	7443000412	Elbow	1	
3	7274000002	Clamp	2	
4	1001132794	Clamp Kit	3	
5	1001132800	Clamp Kit	3	
6	7115150864	Bolt, 0.31"-18NC X 1.00"	3	
7	7274000040	Clamp	3	
8	7950150161	Flatwasher, 0.31" ID	3	
9	7660162601	Locknut, 0.31"-18NC	3	
10	7819000013	Sleeve	4	
	1001132834	Hose kit	Ref	O
101	4567630182	Hose Kit	1	
102	1001132846	Hose Kit	1	

SPR HOSE INSTALLATION 144" WB, DG D-CP



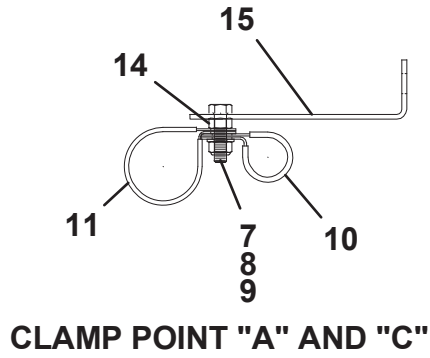
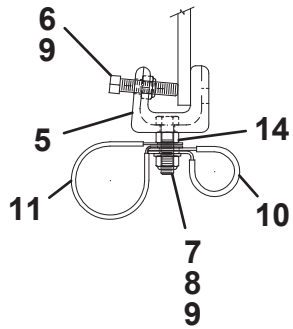
SPR HOSE INSTALLATION 140" WB, 2011-2016 FORD V8 D-CP

ITEM	PART NO.	DESCRIPTION	QTY	REV
	1001127001	Spr Hose Installation 140" Wb, 2011-2016 Ford V8 D-CP	Ref	B
1	4567630163	Hose Assembly	1	
2	4570000323	Hose	1	
3	7443000412	Elbow	1	
4	7274000002	Clamp	2	
5	7274000076	Clamp	2	
6	7785152420	Screw, 0.31"-18NC X 1.50"	2	
7	7115151050	Capscrew, 0.31"-18NC X 1.25"	5	
8	7950150161	Flatwasher, 0.31" ID	14	
9	7660152601	Locknut 0.31"-18NC	10	
10	7274000105	Clamp	5	
11	7274000042	Clamp	7	
12	7115150864	Bolt, 0.31"-18NC X 1.00"	2	
13	7819000013	Sleeve	4	
14	7660150000	Nut, 0.31"-18NC	5	
15	4706003844	Plate	3	

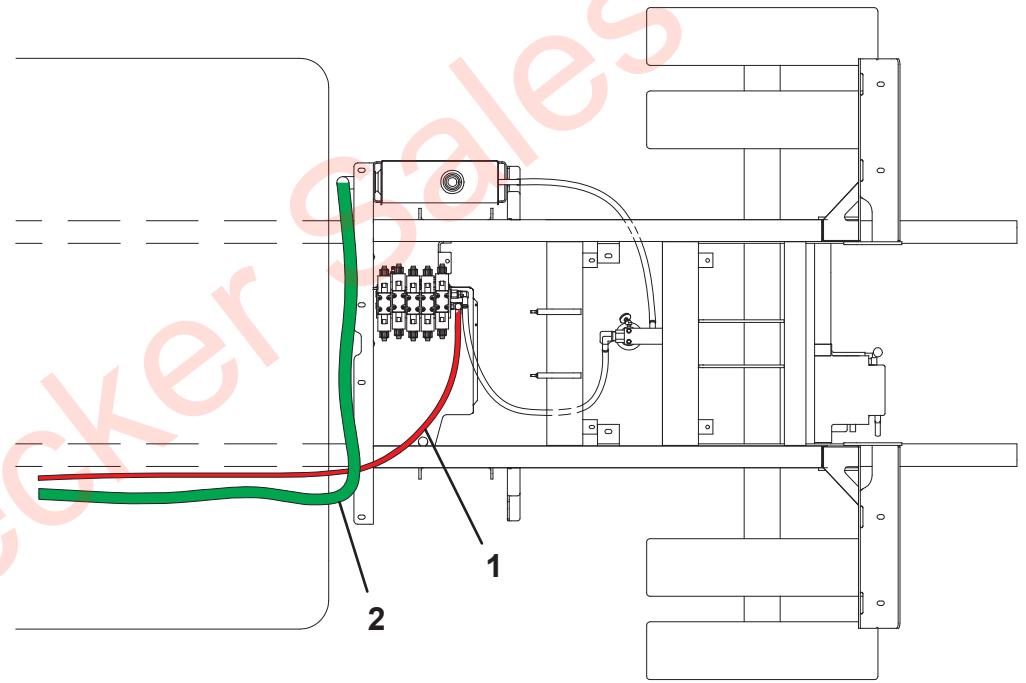
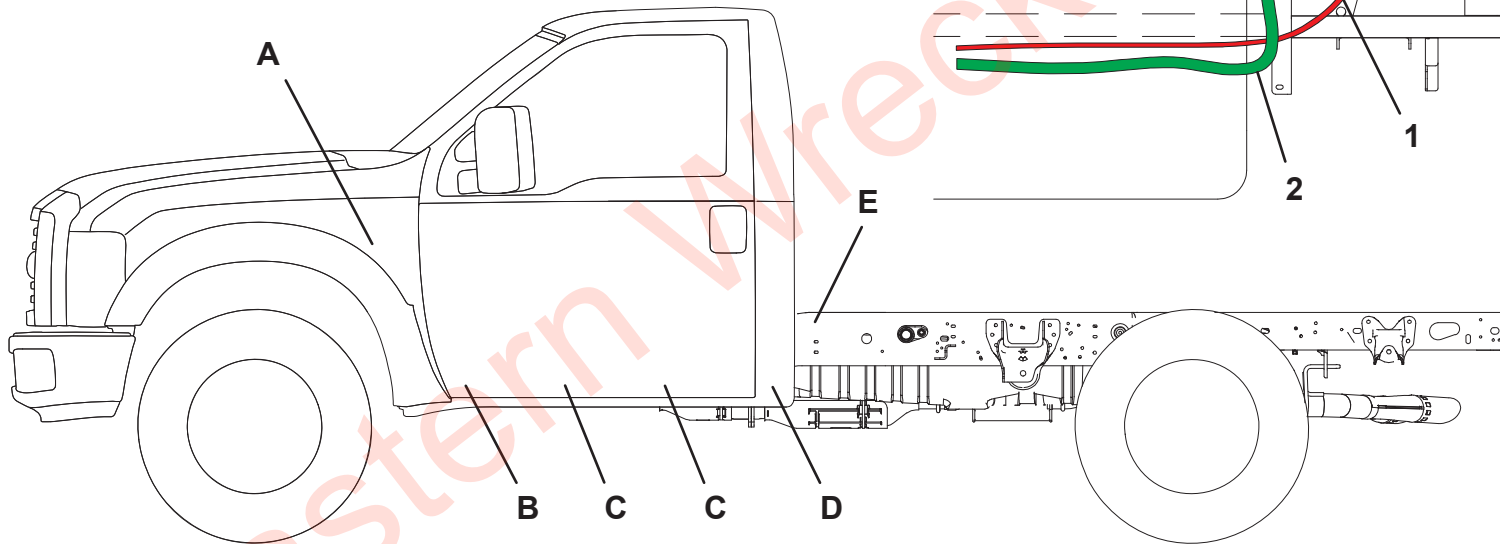
Eastern Wrecker Sales Inc

SPR HOSE INSTALLATION 140" WB, 2011-2016 FORD V8 D-CP

CLAMP POINT "B" AND "D"



CLAMP POINT "A" AND "C"

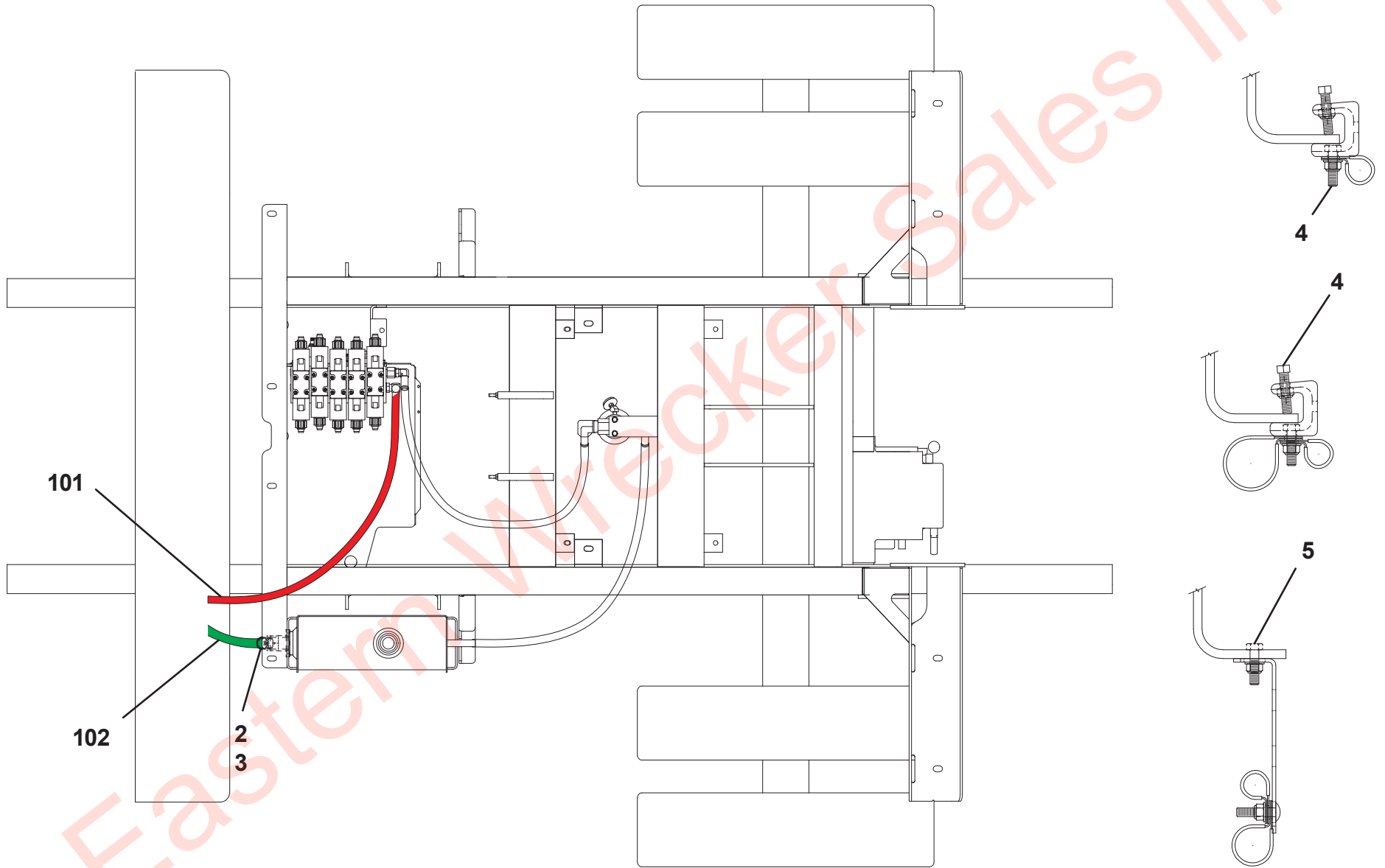


SPR HOSE INSTALLATION 140" WB FORD D-PT

ITEM	PART NO.	DESCRIPTION	QTY	REV
	1001132810	Spr Hose Installation 140" Wb, Ford D-PT	Ref	
1	1001132835	Hose Kit	1	
2	7443000013	Nipple	1	
3	7274000002	Clamp	2	
4	1001132794	Clamp Kit	3	
5	1001132800	Clamp Kit	3	

Eastern Wrecker Sales Inc

SPR HOSE INSTALLATION 140" WB FORD D-PT

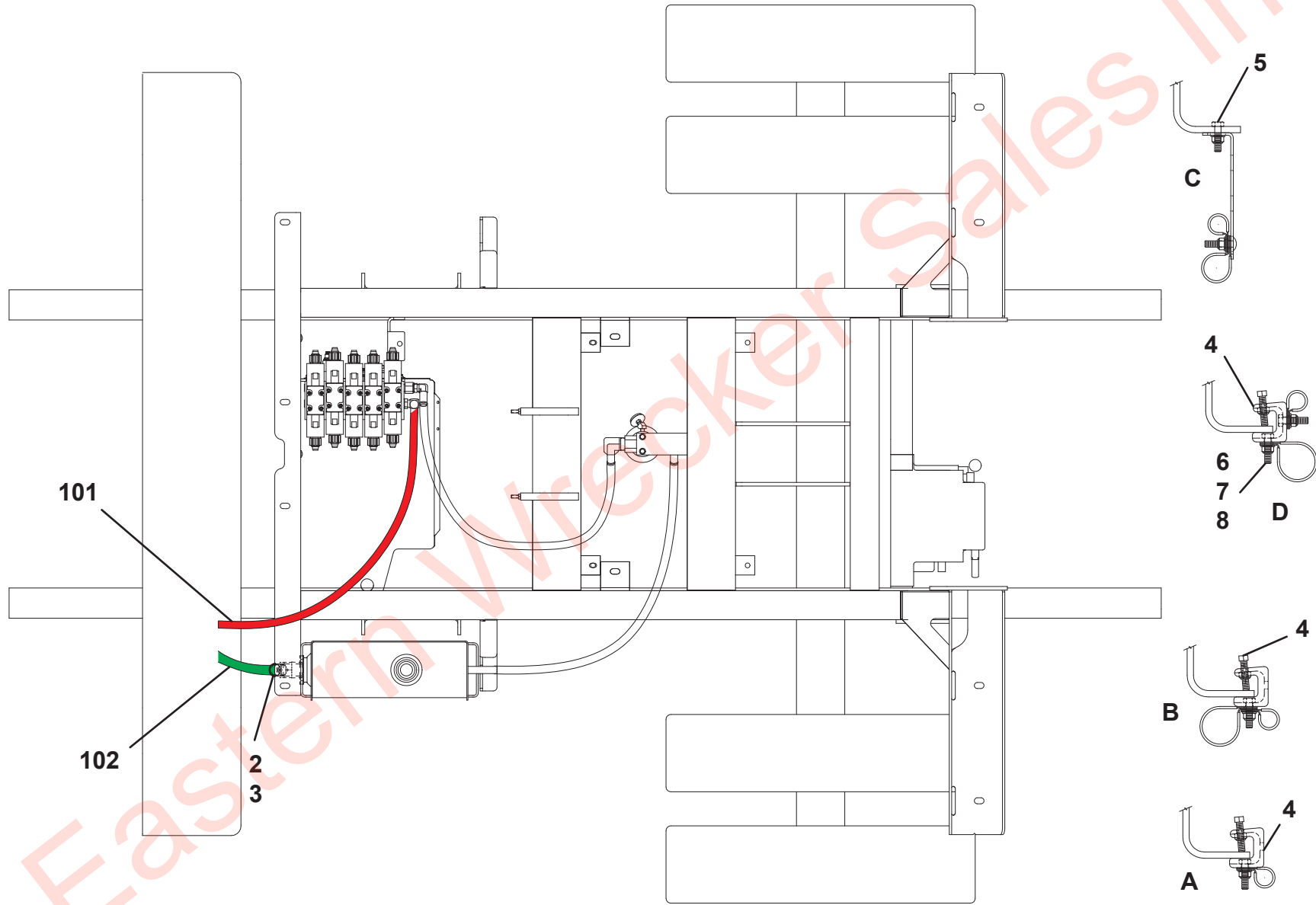


SPR HOSE INSTALLATION 140" WB, 2011-2016 FORD D-CP

ITEM	PART NO.	DESCRIPTION	QTY	REV
	1001132811	Spr Hose Installation 140" Wb, 2011-2016 Ford D-CP	Ref	B
1	1001132836	Hose Kit	1	
2	7443000013	Nipple	1	
3	7274000002	Clamp	2	
4	1001132794	Clamp Kit	4	
5	1001132800	Clamp Kit	4	
6	7115151050	Capscrew, 0.31"-18NC X 1.25"	1	
7	7950150161	Flatwasher, 0.31" ID	1	
8	7660152601	Locknut 0.31"-18NC	1	
9	7819000013	Sleeve	4	
	1001132836	Hose Kit	Ref	0
101	4567630177	Hose Assembly	1	
102	1001132635	Hose Assembly	1	

Eastern Wrecker Sales Inc

SPR HOSE INSTALLATION 140" WB, 2011-2016 FORD D-CP

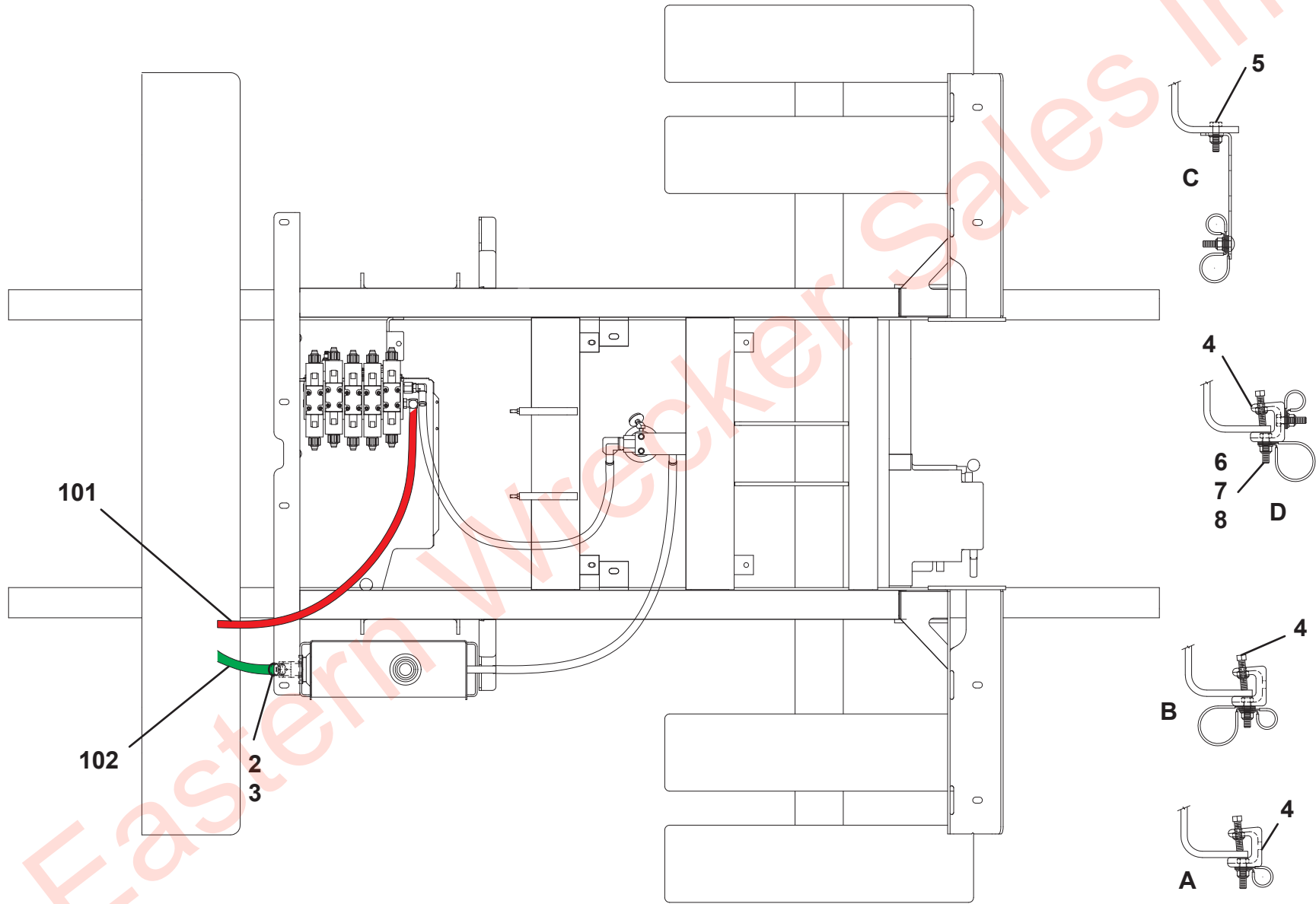


SPR HOSE INSTALLATION 164" WB, 2011-2016 FORD D-CP

ITEM	PART NO.	DESCRIPTION	QTY	REV
	1001132812	Spr Hose Installation 164" Wb, 2011-2016 Ford D-CP	Ref	B
1	1001132837	Hose Kit	1	
2	7443000013	Nipple	1	
3	7274000002	Clamp	2	
4	1001132794	Clamp Kit	4	
5	1001132800	Clamp Kit	6	
6	7115151050	Capscrew, 0.31"-18NC X 1.25"	1	
7	7950150161	Flatwasher, 0.31" ID	1	
8	7660152601	Locknut 0.31"-18NC	1	
9	7819000013	Sleeve	4	

Eastern Wrecker Sales Inc

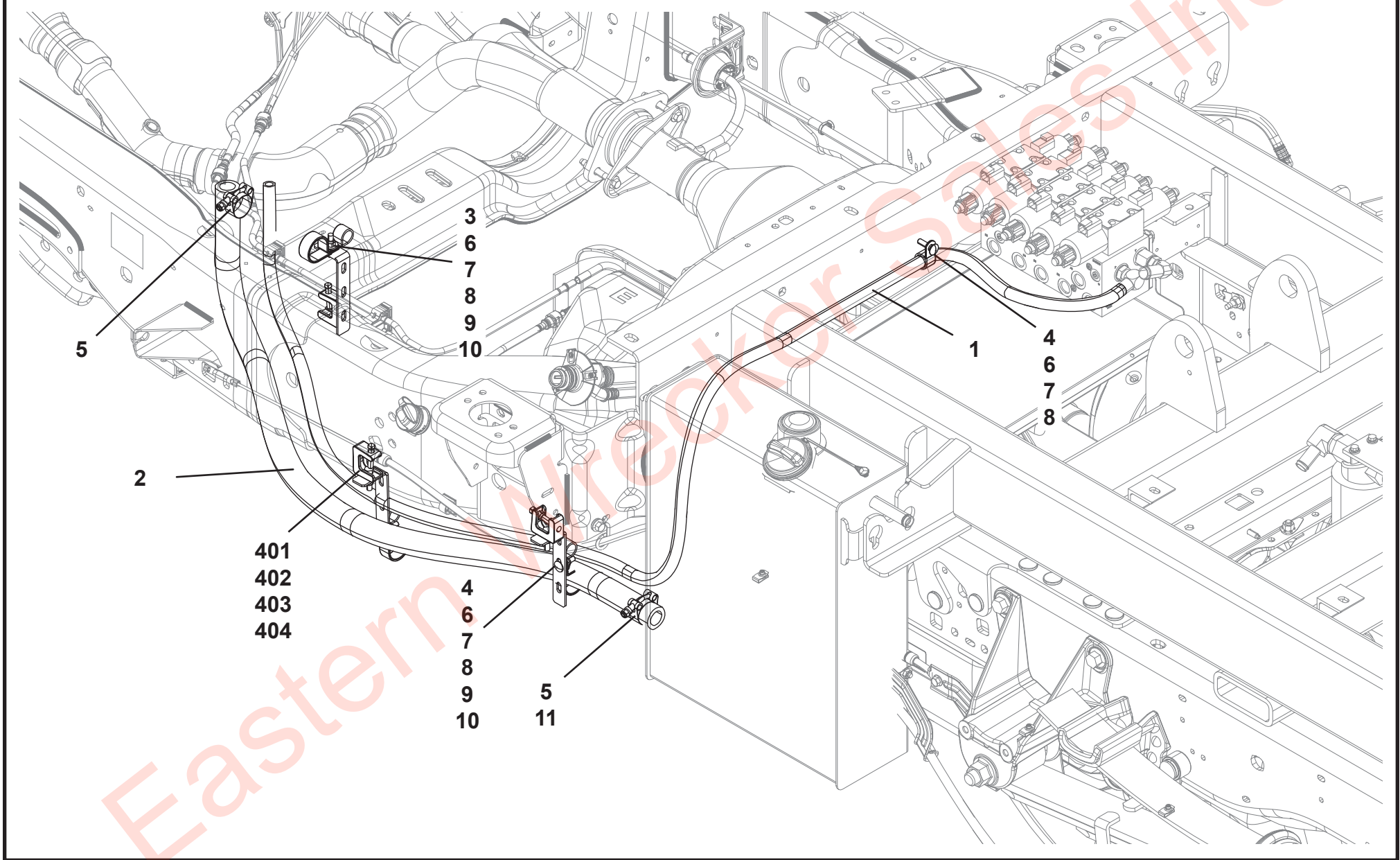
SPR HOSE INSTALLATION 164" WB, 2011-2016 FORD D-CP



SPR HOSE INSTALLATION 145" WB, 2017+ FORD PTO

ITEM	PART NO.	DESCRIPTION	QTY	REV
	1001223730	Spr Hose Installation 145" Wb, 2017+ Ford PTO	Ref	A
1	1001136821	Hose Assembly	1	
2	4570000373	Hose	1	
3	7115151050	Capscrew, 0.31"-18NC X 1.25"	2	
4	7115151064	Bolt, 0.31"-18NC X 1.25"	4	
5	7274000002	Clamp	2	
6	7274000040	Clamp	3	
7	7660152601	Locknut 0.31"-18NC	6	
8	7950150161	Flatwasher, 0.31" ID	8	
9	4706003844	Plate	3	
10	7274000042	Clamp	1	
11	7443000013	Nipple	1	
	1001132794	Clamp Kit	Ref	B
401	7274000076	Clamp	1	
402	7785152420	Screw, 0.31"-18NC X 1.50"	1	
403	7660152601	Locknut 0.31"-18NC	2	
404	7115151050	Capscrew, 0.31"-18NC X 1.25"		
405	7950150161	Flatwasher, 0.31" ID		
406	7274000040	Clamp		
408	7274000042	Clamp		

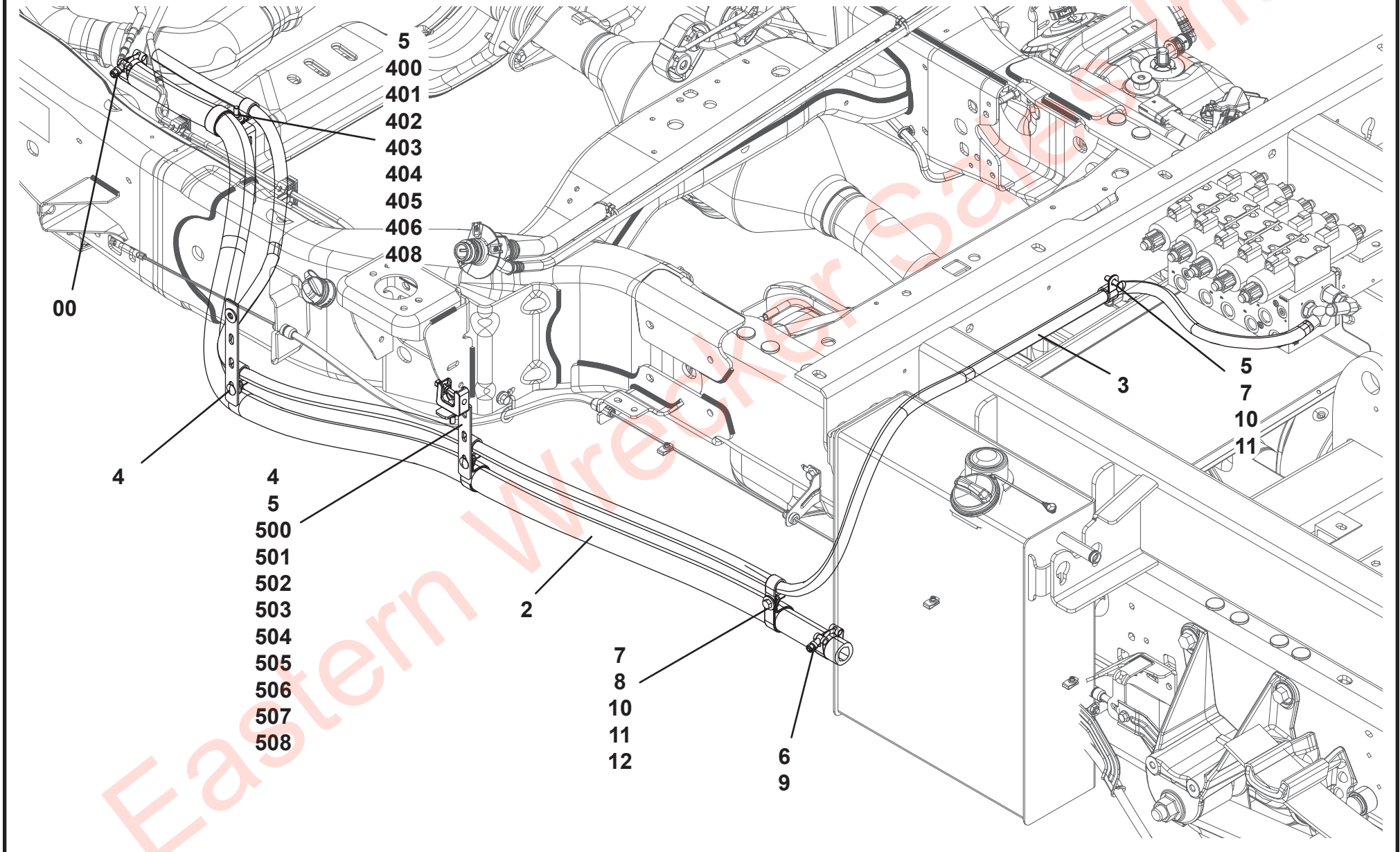
SPR HOSE INSTALLATION 145" WB, 2017+ FORD PTO



SPR HOSE INSTALLATION 167-169" WB, 2017+ FORD PTO

ITEM	PART NO.	DESCRIPTION	QTY	REV
	1001223731	Spr Hose Installation 167-169" Wb, 2017+ Ford PTO	Ref	A
1	3941506	Screw, 0.31" X 0.75"	1	
2	1001132605	Hose	1	
3	4567130135	Hose Assembly	1	
4	4706003844	Plate	2	
5	7115151064	Bolt, 0.31"-18NC X 1.25"	4	
6	7274000002	Clamp	2	
7	7274000040	Clamp	4	
8	7274000042	Clamp	2	
9	7443000013	Nipple	1	
10	7660152601	Locknut, 0.31"-18NC	7	
11	7950150161	Flatwasher, 0.31" ID	7	
12	7115151050	Capscrew, 0.31"-18NC X 1.25"	1	
	1001132794	Clamp Kit	Ref	B
401	7274000076	Clamp	1	
402	7785152420	Screw, 0.31"-18NC X 1.50"	1	
403	7660152601	Locknut 0.31"-18NC	2	
404	7115151050	Capscrew, 0.31"-18NC X 1.25"		
405	7950150161	Flatwasher, 0.31" ID		
406	7274000040	Clamp		
408	7274000042	Clamp		
	1001132800	Clamp Kit	Ref	B
501	7274000040	Clamp	1	
503	7274000042	Clamp	1	
504	4706003844	Plate	1	
505	7115151050	Capscrew, 0.31"-18NC X 1.25"	1	
506	7950150161	Flatwasher, 0.31" ID	3	
507	7660152601	Locknut, 0.31"-18NC	2	
508	7115151064	Bolt, 0.31"-18NC X 1.25"	1	

SPR HOSE INSTALLATION 167-169" WB, 2017+ FORD PTO

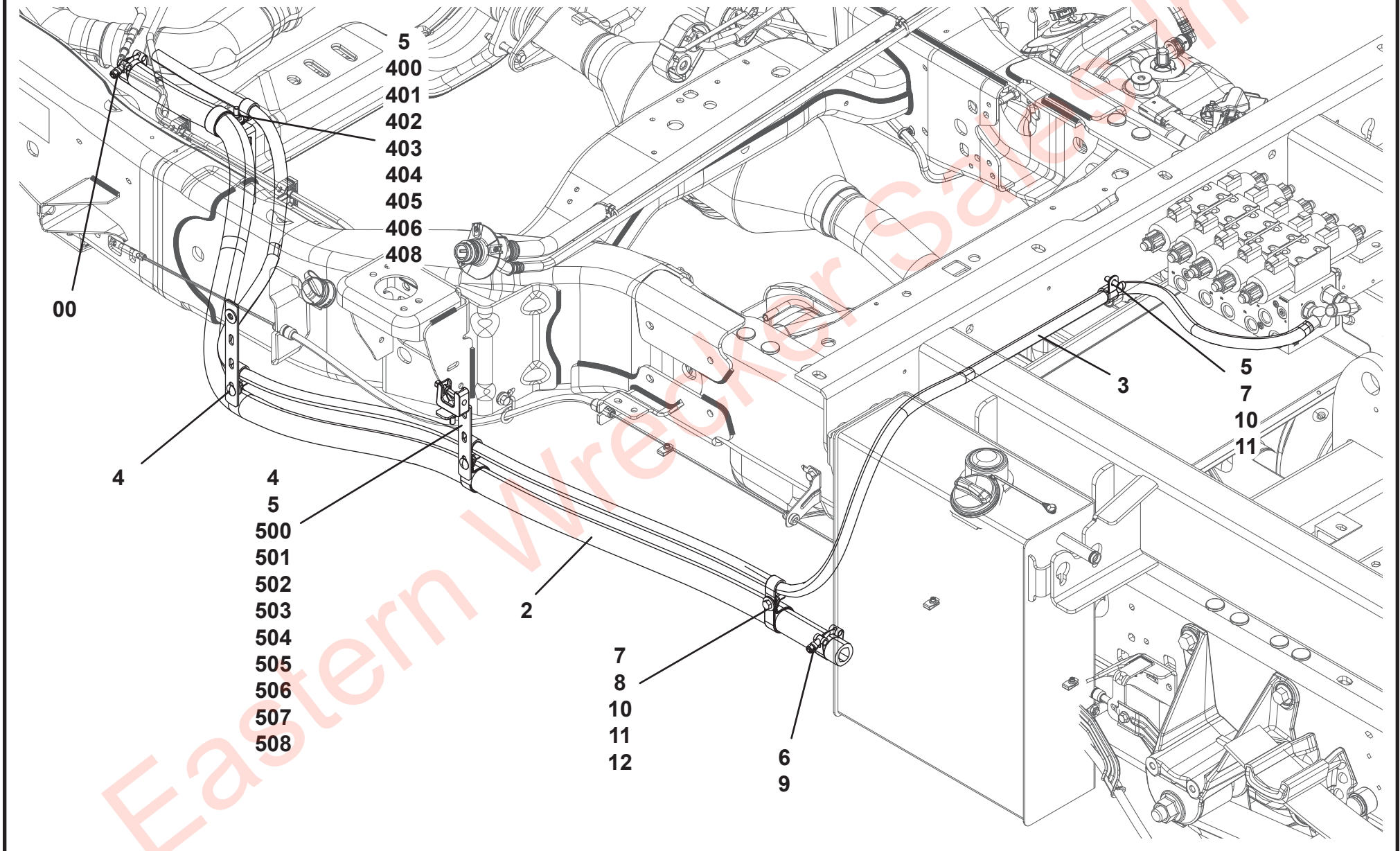


SPR HOSE INSTALLATION 179" WB, 2017+ FORD PTO

ITEM	PART NO.	DESCRIPTION	QTY	REV
	1001223732	Spr Hose Installation 179" Wb, 2017+ Ford PTO	Ref	A
1	3941506	Screw, 0.31" X 0.75"	2	
2	1001132610	Hose	1	
3	4567130140	Hose Assembly	1	
4	4706003844	Plate	1	
5	7115151064	Bolt, 0.31"-18NC X 1.25"	3	
6	7274000002	Clamp	2	
7	7274000040	Clamp	4	
8	7274000042	Clamp	2	
9	7443000013	Nipple	1	
10	7660152601	Locknut, 0.31"-18NC	4	
11	7950150161	Flatwasher, 0.31" ID	6	
	1001132794	Clamp Kit	Ref	B
401	7274000076	Clamp	1	
402	7785152420	Screw, 0.31"-18NC X 1.50"	1	
403	7660152601	Locknut 0.31"-18NC	2	
404	7115151050	Capscrew, 0.31"-18NC X 1.25"		
405	7950150161	Flatwasher, 0.31" ID		
406	7274000040	Clamp		
408	7274000042	Clamp		
	1001132800	Clamp Kit	Ref	B
501	7274000040	Clamp	1	
503	7274000042	Clamp	1	
504	4706003844	Plate	1	
505	7115151050	Capscrew, 0.31"-18NC X 1.25"	1	
506	7950150161	Flatwasher, 0.31" ID	3	
507	7660152601	Locknut, 0.31"-18NC	2	
508	7115151064	Bolt, 0.31"-18NC X 1.25"	1	

Eastern Wrecker Sales Inc

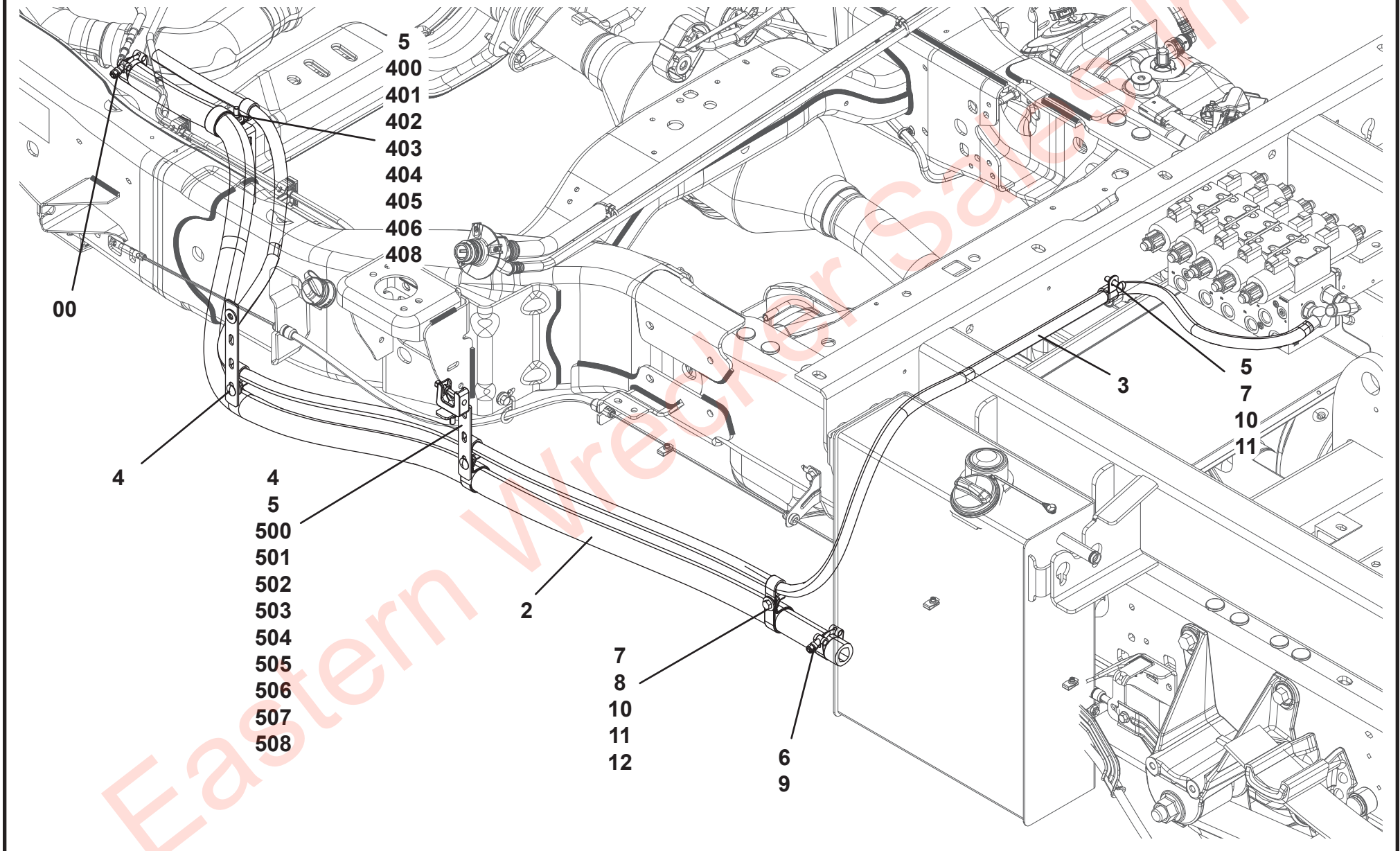
SPR HOSE INSTALLATION 179" WB, 2017+ FORD PTO



SPR HOSE INSTALLATION 192" WB, 2017+ FORD PTO

ITEM	PART NO.	DESCRIPTION	QTY	REV
	1001223733	Spr Hose Installation 192" Wb, 2017+ Ford PTO	Ref	A
1	3941506	Screw, 0.31" X 0.75"	2	
2	1001132614	Hose	1	
3	4567130155	Hose Assembly	1	
4	4706003844	Plate	2	
5	7115151064	Bolt, 0.31"-18NC X 1.25"	4	
6	7274000002	Clamp	2	
7	7274000040	Clamp	4	
8	7274000042	Clamp	2	
9	7443000013	Nipple	1	
10	7660152601	Locknut, 0.31"-18NC	4	
11	7950150161	Flatwasher, 0.31" ID	6	
	1001132794	Clamp Kit	Ref	B
401	7274000076	Clamp	1	
402	7785152420	Screw, 0.31"-18NC X 1.50"	1	
403	7660152601	Locknut 0.31"-18NC	2	
404	7115151050	Capscrew, 0.31"-18NC X 1.25"		
405	7950150161	Flatwasher, 0.31" ID		
406	7274000040	Clamp		
408	7274000042	Clamp		
	1001132800	Clamp Kit	Ref	B
501	7274000040	Clamp	1	
503	7274000042	Clamp	1	
504	4706003844	Plate	1	
505	7115151050	Capscrew, 0.31"-18NC X 1.25"	1	
506	7950150161	Flatwasher, 0.31" ID	3	
507	7660152601	Locknut, 0.31"-18NC	2	
508	7115151064	Bolt, 0.31"-18NC X 1.25"	1	

SPR HOSE INSTALLATION 192" WB, 2017+ FORD PTO

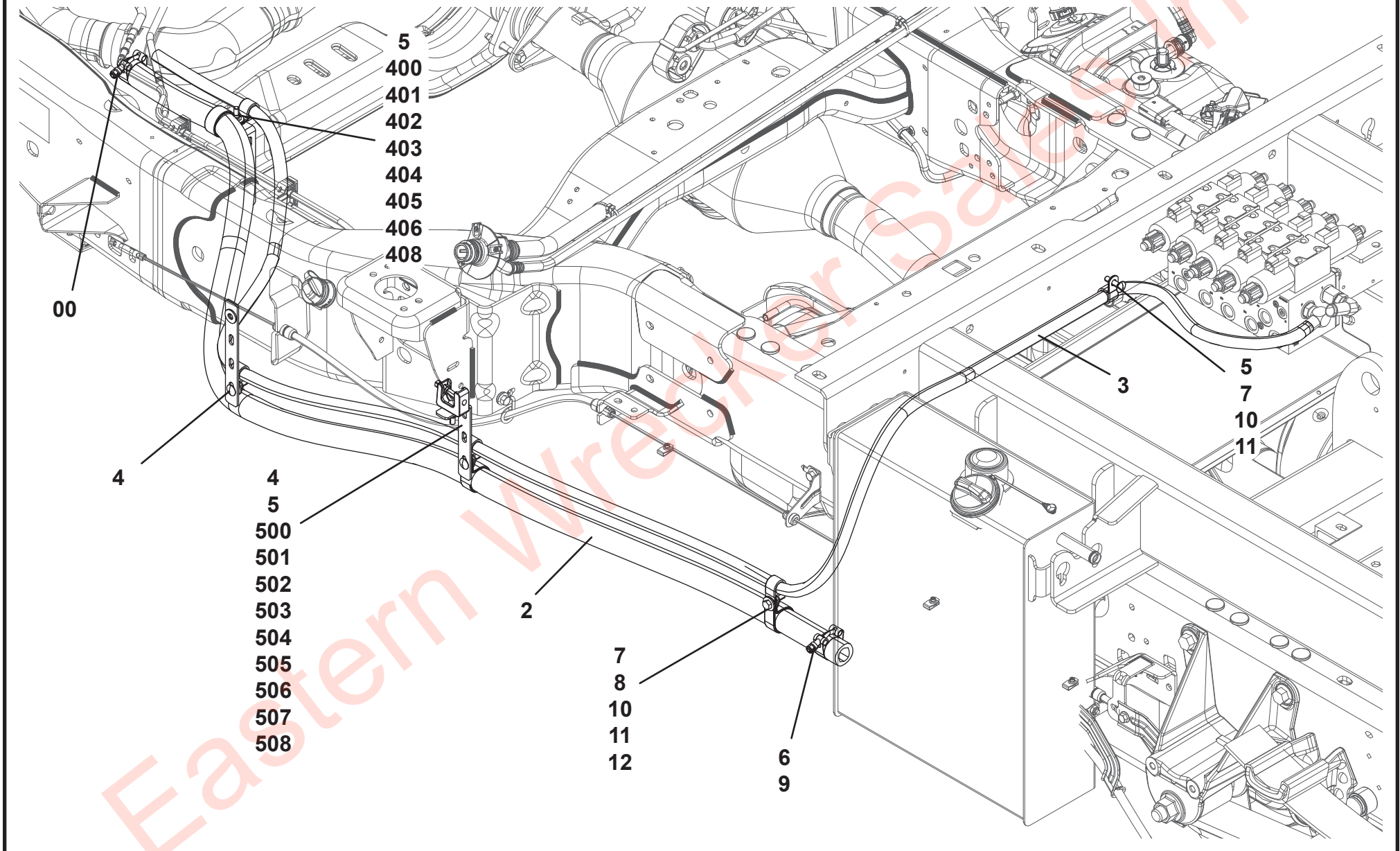


SPR HOSE INSTALLATION 203" WB, 2017+ FORD PTO

ITEM	PART NO.	DESCRIPTION	QTY	REV
	1001223734	Spr Hose Installation 203" Wb, 2017+ Ford PTO	Ref	A
1	3941506	Screw, 0.31" X 0.75"	2	
2	1001132618	Hose	1	
3	4567130165	Hose Assembly	1	
4	4706003844	Plate	2	
5	7115151064	Bolt, 0.31"-18NC X 1.25"	4	
6	7274000002	Clamp	2	
7	7274000040	Clamp	4	
8	7274000042	Clamp	2	
9	7443000013	Nipple	1	
10	7660152601	Locknut, 0.31"-18NC	4	
11	7950150161	Flatwasher, 0.31" ID	6	
	1001132794	Clamp Kit	Ref	B
401	7274000076	Clamp	1	
402	7785152420	Screw, 0.31"-18NC X 1.50"	1	
403	7660152601	Locknut 0.31"-18NC	2	
404	7115151050	Capscrew, 0.31"-18NC X 1.25"		
405	7950150161	Flatwasher, 0.31" ID		
406	7274000040	Clamp		
408	7274000042	Clamp		
	1001132800	Clamp Kit	Ref	B
501	7274000040	Clamp	1	
503	7274000042	Clamp	1	
504	4706003844	Plate	1	
505	7115151050	Capscrew, 0.31"-18NC X 1.25"	1	
506	7950150161	Flatwasher, 0.31" ID	3	
507	7660152601	Locknut, 0.31"-18NC	2	
508	7115151064	Bolt, 0.31"-18NC X 1.25"	1	

Eastern Wrecker Sales Inc

SPR HOSE INSTALLATION 203" WB, 2017+ FORD PTO



THIS PAGE INTENTIONALLY LEFT BLANK

Eastern Wrecker Sales Inc

SECTION 6 - ELECTRICAL

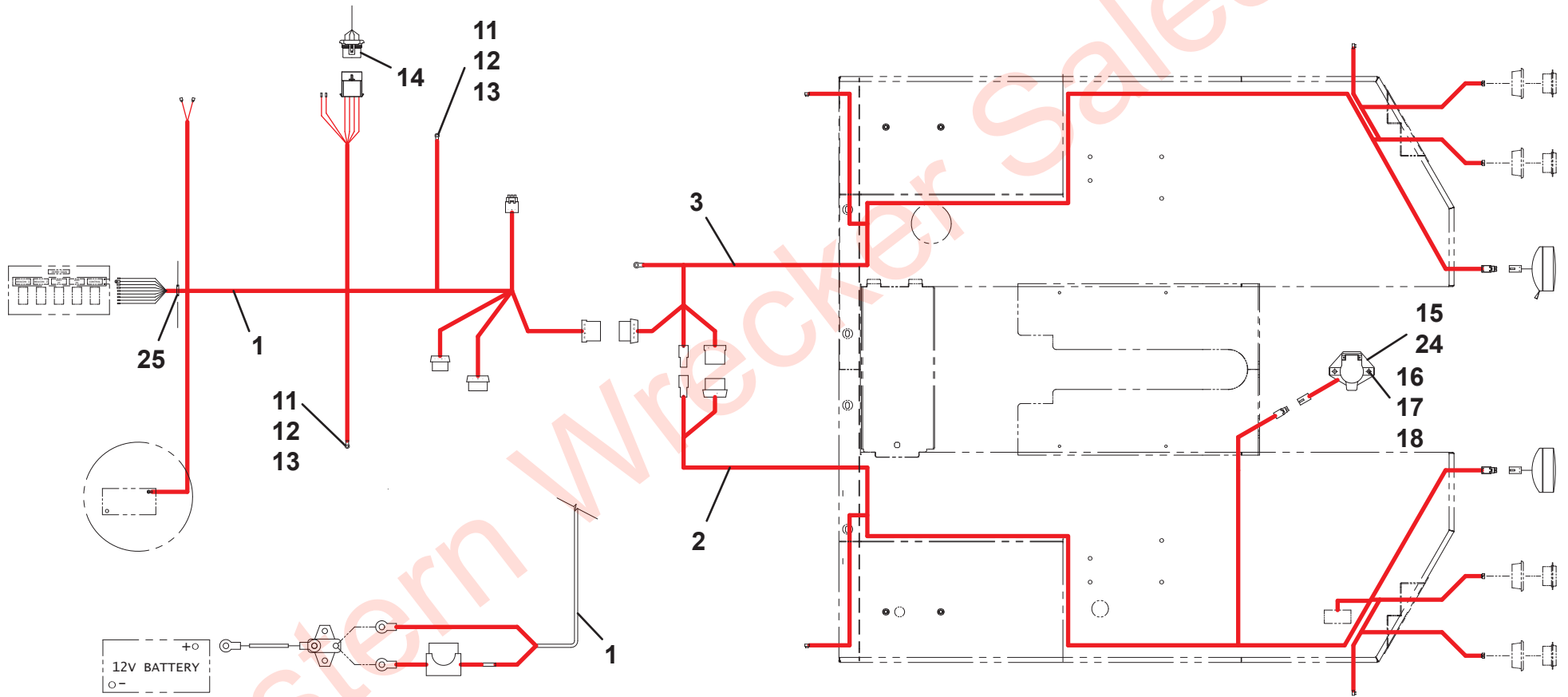
Eastern Wrecker Sales Inc

BODY WIRING INSTALLATION

ITEM	PART NO.	DESCRIPTION	QTY	REV
	3509330123	Body Wiring Installation	Ref	E
1	7552000292	Harness	1	
2	7552000469	Harness, LH	1	
3	7552000417	Harness, RH	1	
11	7111141050	Capscrew, 0.25"-20NC X 1.25"	2	
12	7660142600	Locknut, 0.25"-20NC	2	
13	7577000194	Connectors Kit	1	
14	7950140141	Flatwasher, 0.25" ID	2	
15	7291000010	Connector	1	
16	7111140613	Screw, 0.25"-20NC X 0.75"	2	
17	7950140000	Lockwasher, 0.25" ID	2	
18	7413000002	Nutsert, 0.25"-20NC	2	
19	7894000042	Tie Strap	32	
24	7796000048	Gasket	1	
25	7493000003	Grommet	1	

Eastern Wrecker Sales Inc

BODY WIRING INSTALLATION

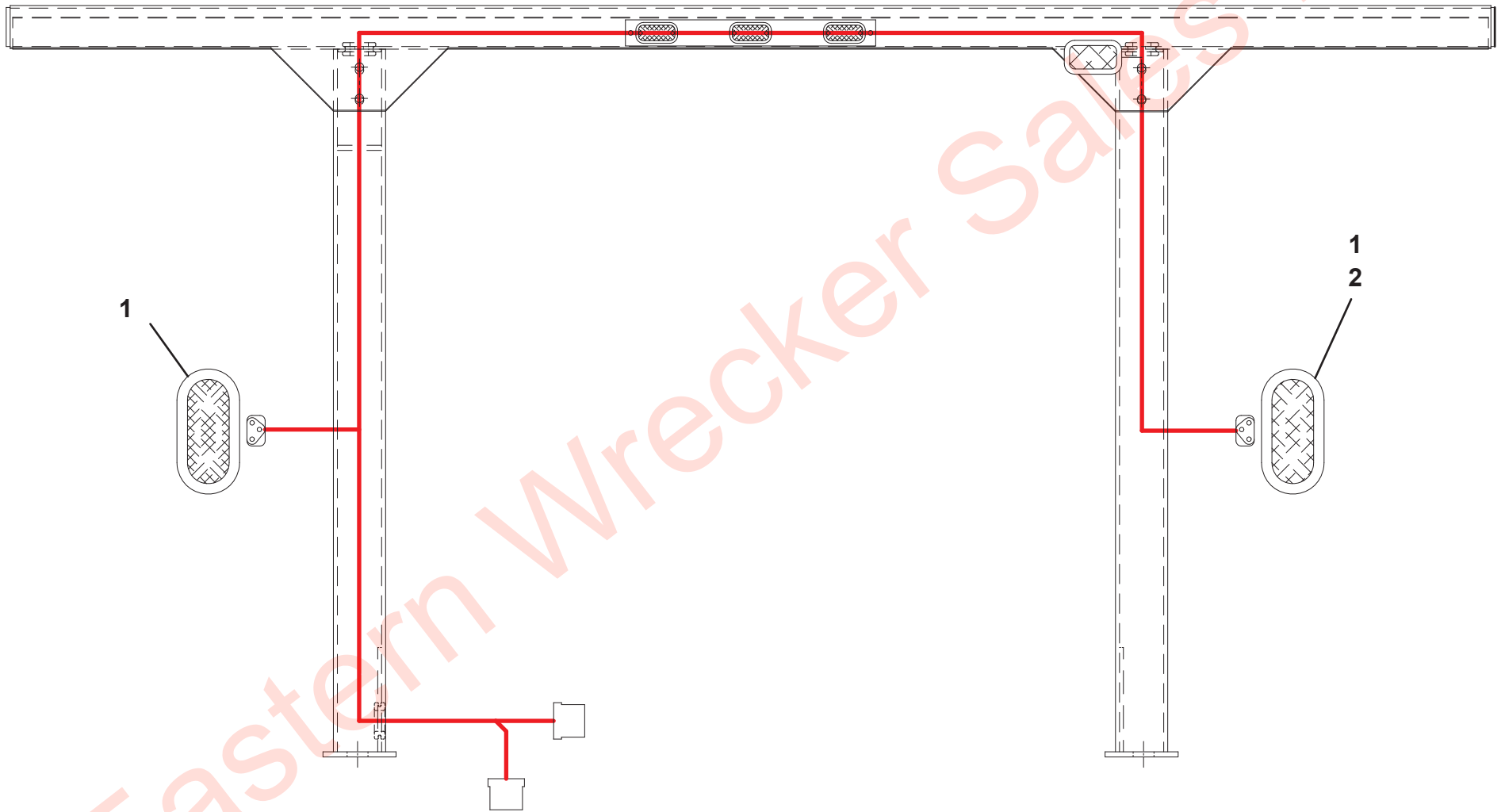


LIGHTS, PYLON, LED, MARKER, 12V 1PR

ITEM	PART NO.	DESCRIPTION	QTY
1	1001174682	Lamp, Amber	2
2	7493000026	Grommet	2
3	7894000010	Tie Strap	2

Eastern Wrecker Sales Inc

LIGHTS, PYLON, LED, MARKER, 12V 1PR

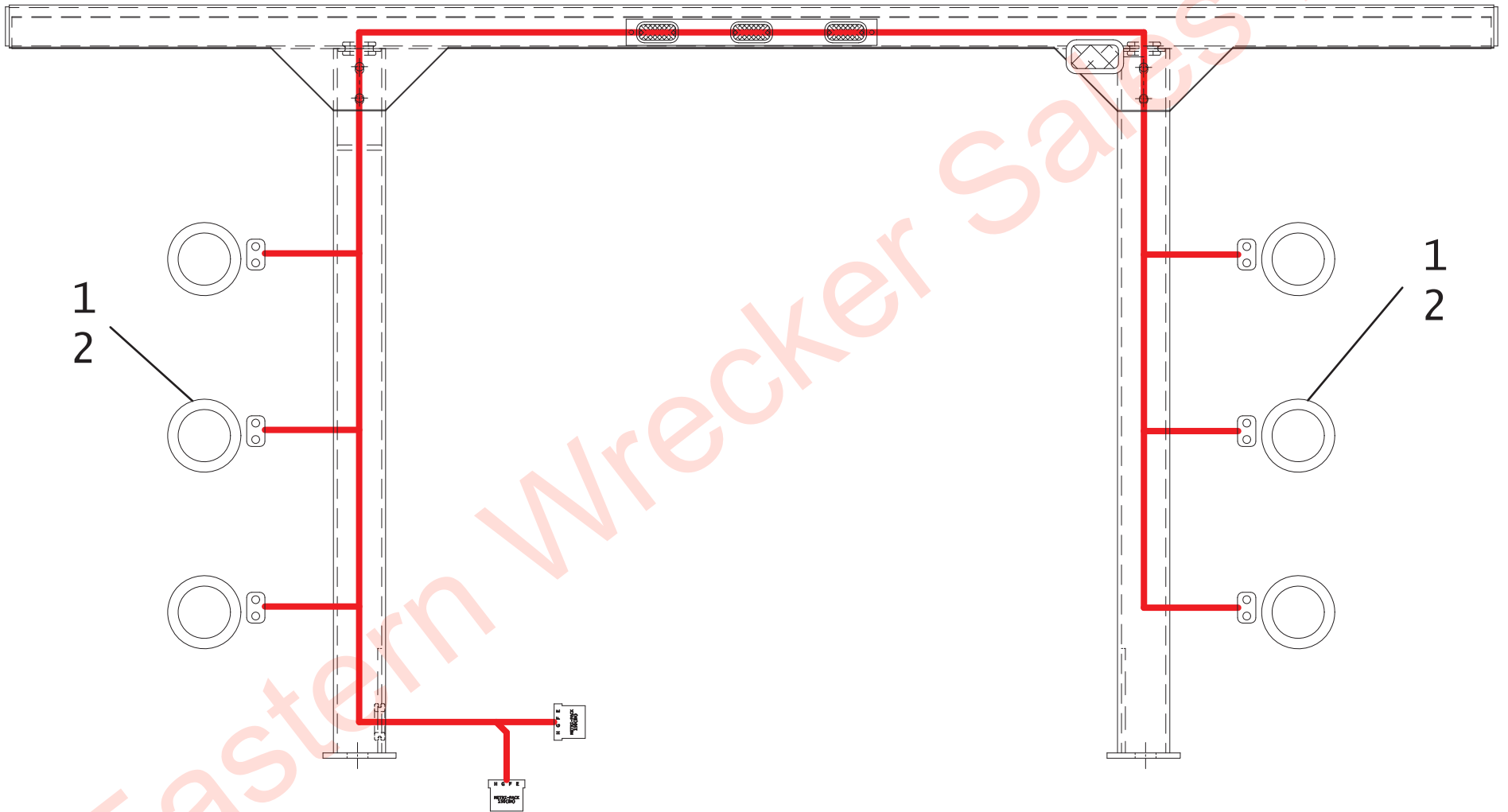


LIGHTS, PYLON, LED, MARKER, 12V 3PR

ITEM	PART NO.	DESCRIPTION	QTY
1	7590000342	Light Amber	6
2	7493000009	Grommet	6
3	7894000010	Tie Strap	6

Eastern Wrecker Sales Inc

LIGHTS, PYLON, LED, MARKER, 12V 3PR

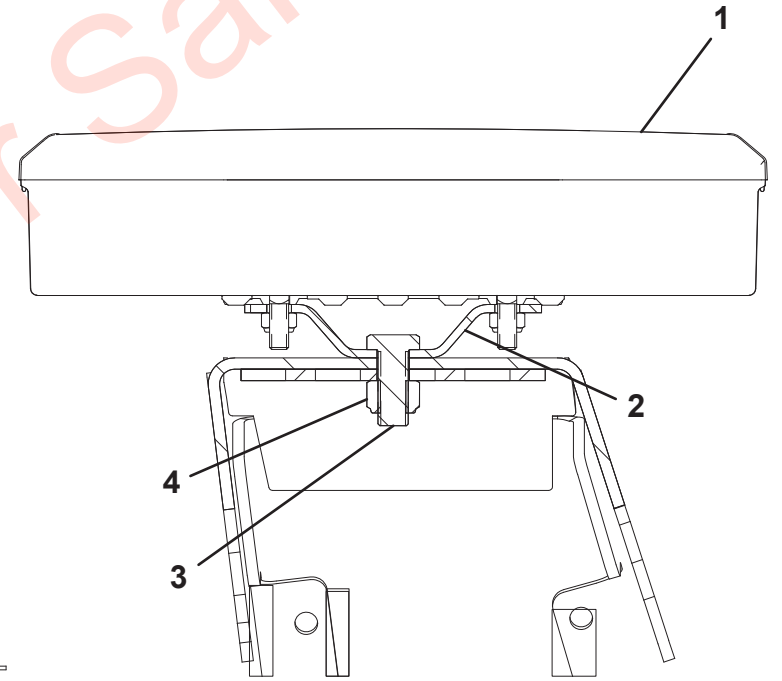
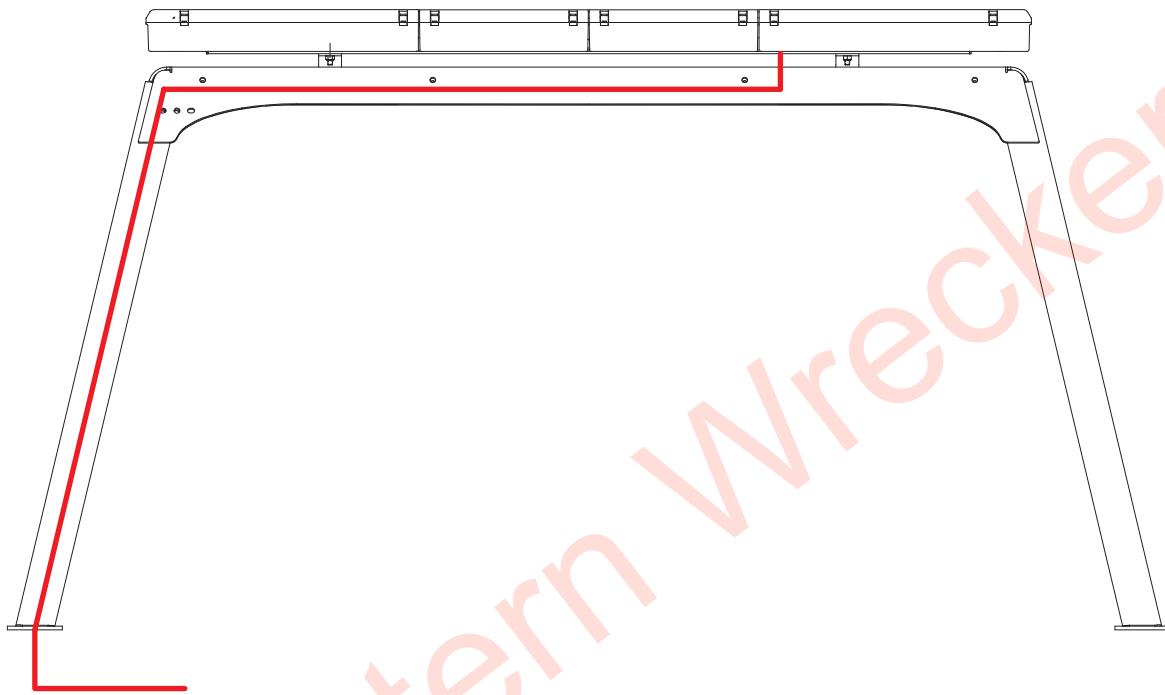


LIGHTBAR, AMBER, CODE3, 58", 10 LIGHT HEAD, 12V

ITEM	PART NO.	DESCRIPTION	QTY
1	1001136990	Lamp	1
2	4178000402	Bracket	2
3	7115181050	Capscrew, 0.50"-13NC x 1.25"	2
4	7660182601	Locknut, 0.50"-13NC	2

Eastern Wrecker Sales Inc

LIGHTBAR, AMBER, CODE3, 58", 10 LIGHT HEAD, 12V

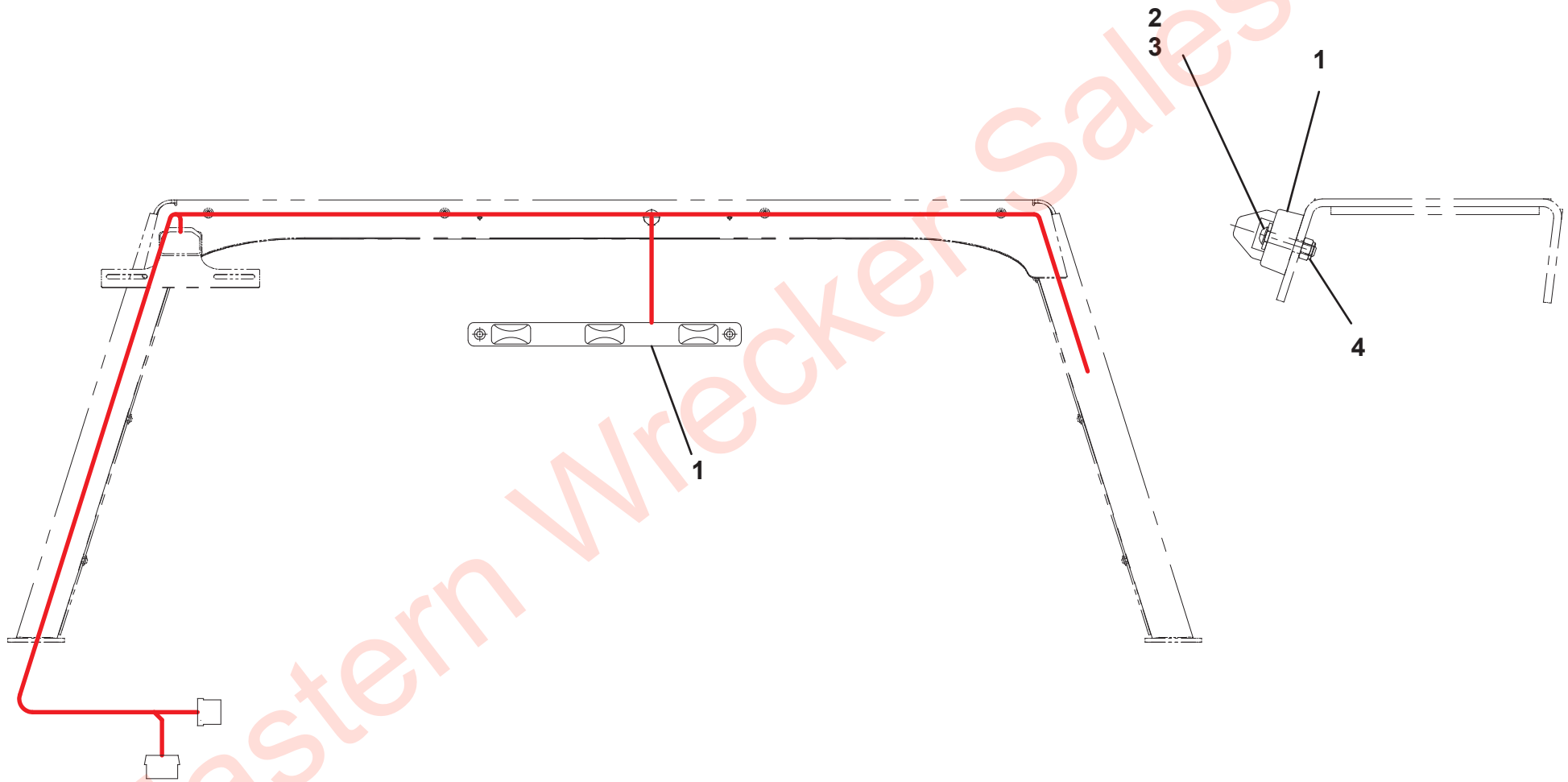


LIGHT, D.O.T. ID BAR, NO LIGHTBAR 12V

ITEM	PART NO.	DESCRIPTION	QTY
1	7590000342	Light Amber	6
2	7493000009	Grommet	6
3	7894000010	Tie Strap	6

Eastern Wrecker Sales Inc

LIGHT, D.O.T. ID BAR, NO LIGHTBAR 12V

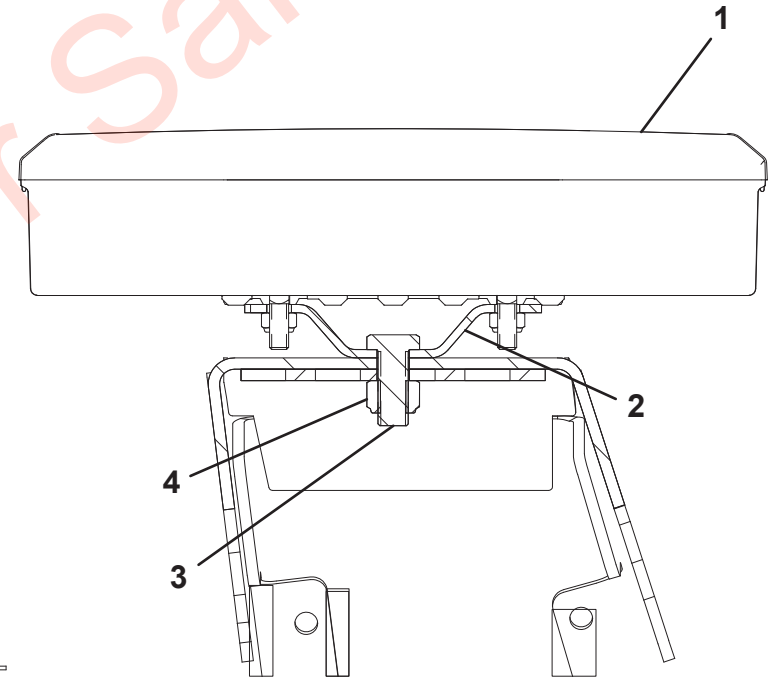
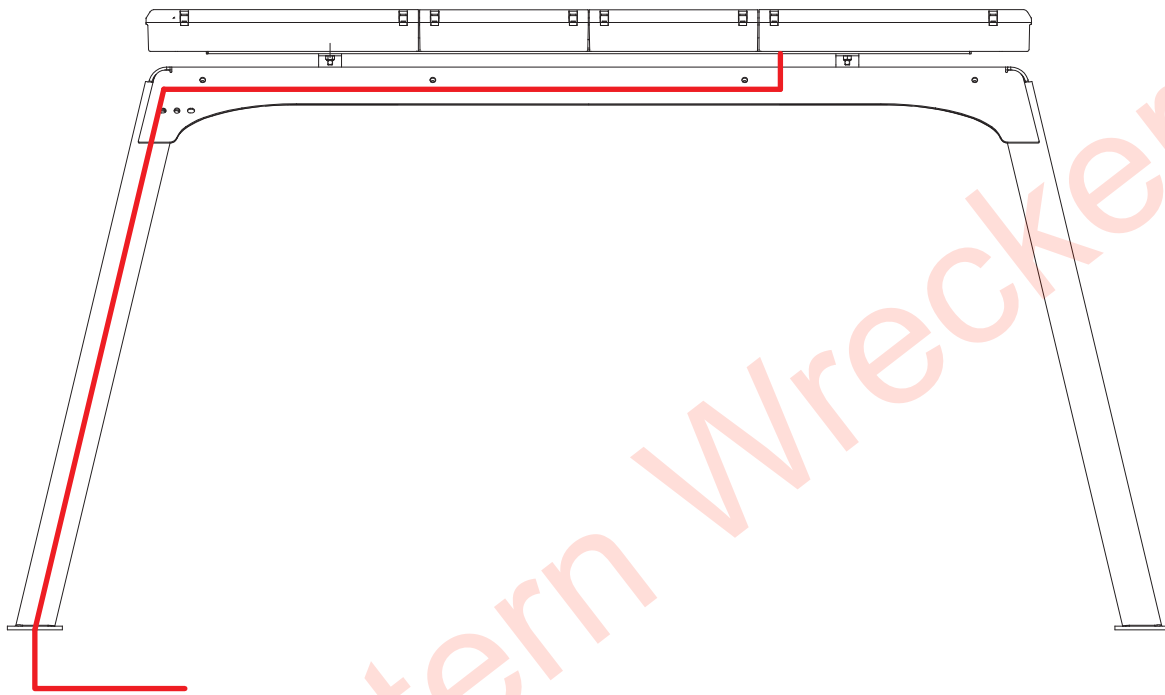


LIGHTBAR, AMBER, WHELEN, 60", 12V

ITEM	PART NO.	DESCRIPTION	QTY
1	1001199475	Lamp	1
2	4178000402	Bracket	2
3	7115181050	Capscrew, 0.50"-13NC x 1.25"	2
4	7660182601	Locknut, 0.50"-13NC	2

Eastern Wrecker Sales Inc

LIGHTBAR, AMBER, WHELEN, 60", 12V

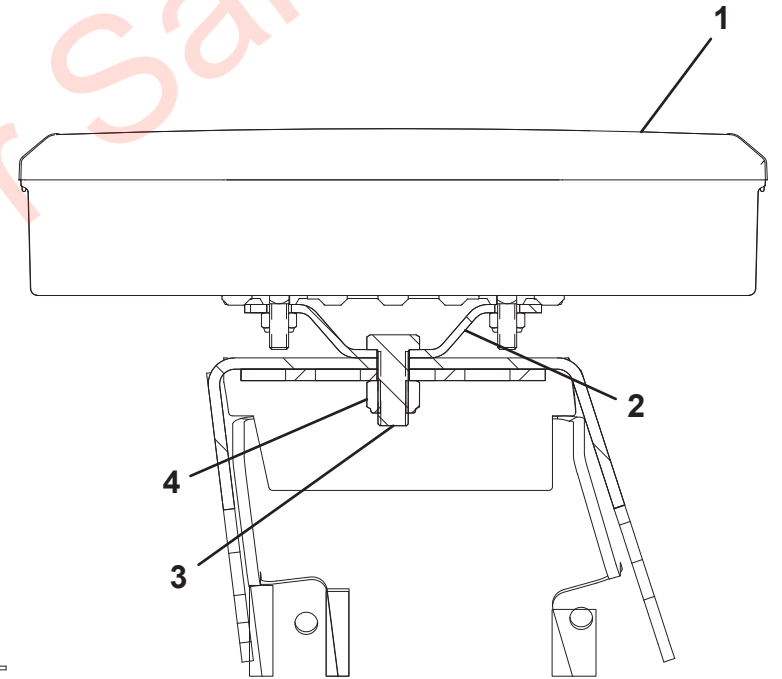
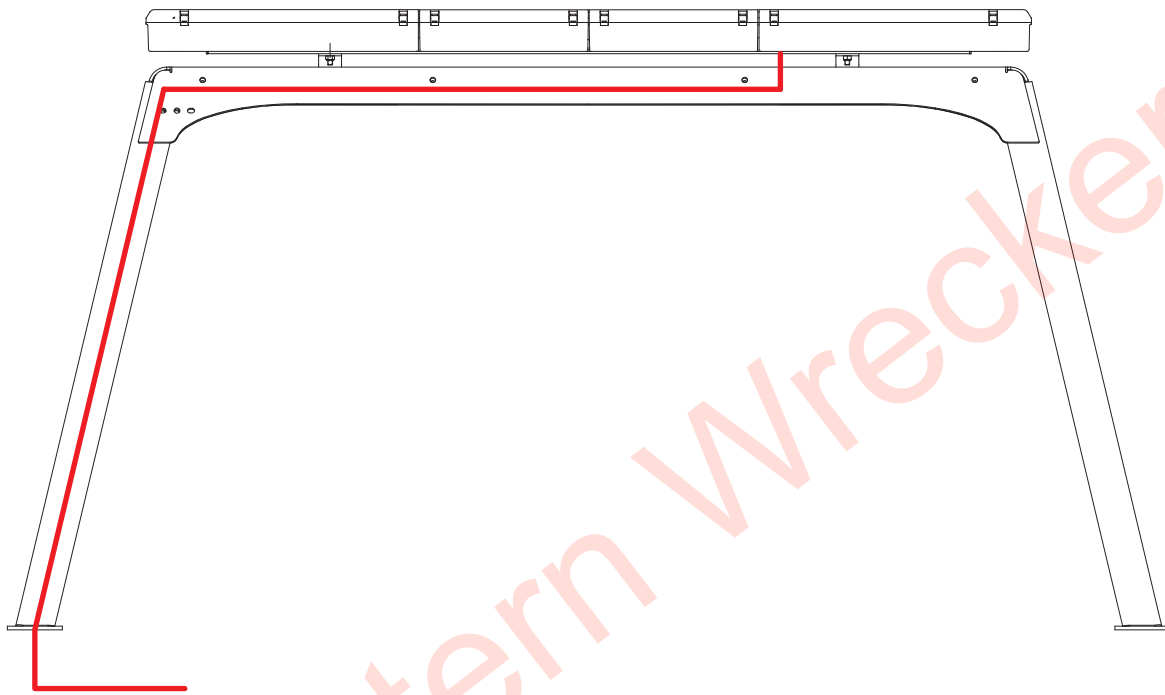


LIGHTBAR, AMBER, CODE3, 58", 10 LIGHT HEAD, 12V

ITEM	PART NO.	DESCRIPTION	QTY
1	1001155872	Lamp	1
2	4178000402	Bracket	2
3	7115181050	Capscrew, 0.50"-13NC x 1.25"	2
4	7660182601	Locknut, 0.50"-13NC	2

Eastern Wrecker Sales Inc

LIGHTBAR, AMBER, CODE3, 58", 10 LIGHT HEAD, 12V

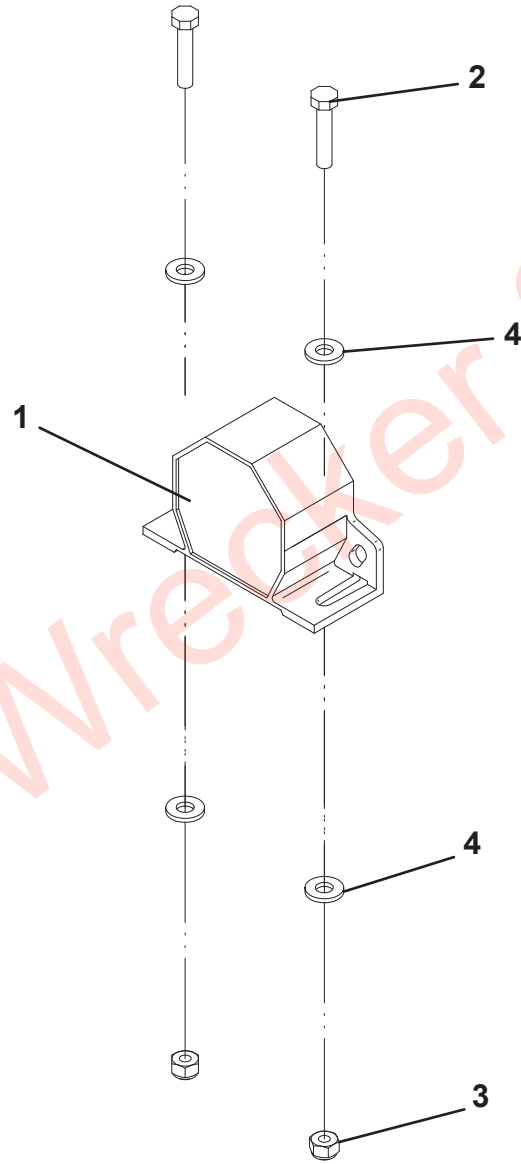


BACKUP ALARM INSTALLATION - 97DB

ITEM	PART NO.	DESCRIPTION	QTY
1	1001175061	Alarm	1
2	7111141050	Capscrew, 0.25"-20NC x 1.25"	2
3	7660142600	Locknut, 0.25"-20NC	2
4	7950140141	Flatwasher, 0.25" ID	4

Eastern Wrecker Sales Inc

BACKUP ALARM INSTALLATION - 97DB

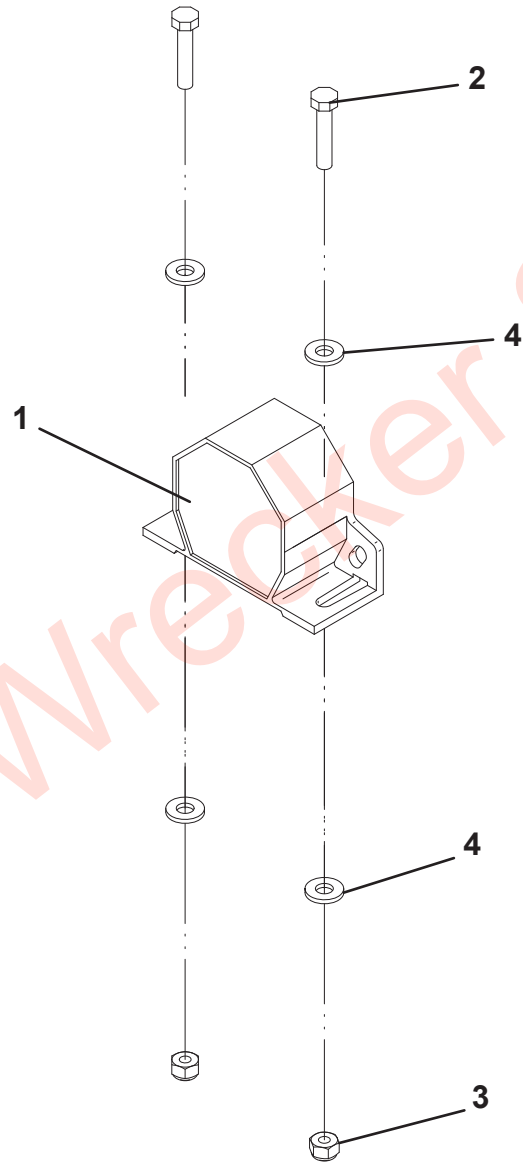


BACKUP ALARM INSTALLATION - VARIABLE

ITEM	PART NO.	DESCRIPTION	QTY
1	1001175061	Alarm	1
2	7111141050	Capscrew, 0.25"-20NC x 1.25"	2
3	7660142600	Locknut, 0.25"-20NC	2
4	7950140141	Flatwasher, 0.25" ID	4

Eastern Wrecker Sales Inc

BACKUP ALARM INSTALLATION - VARIABLE

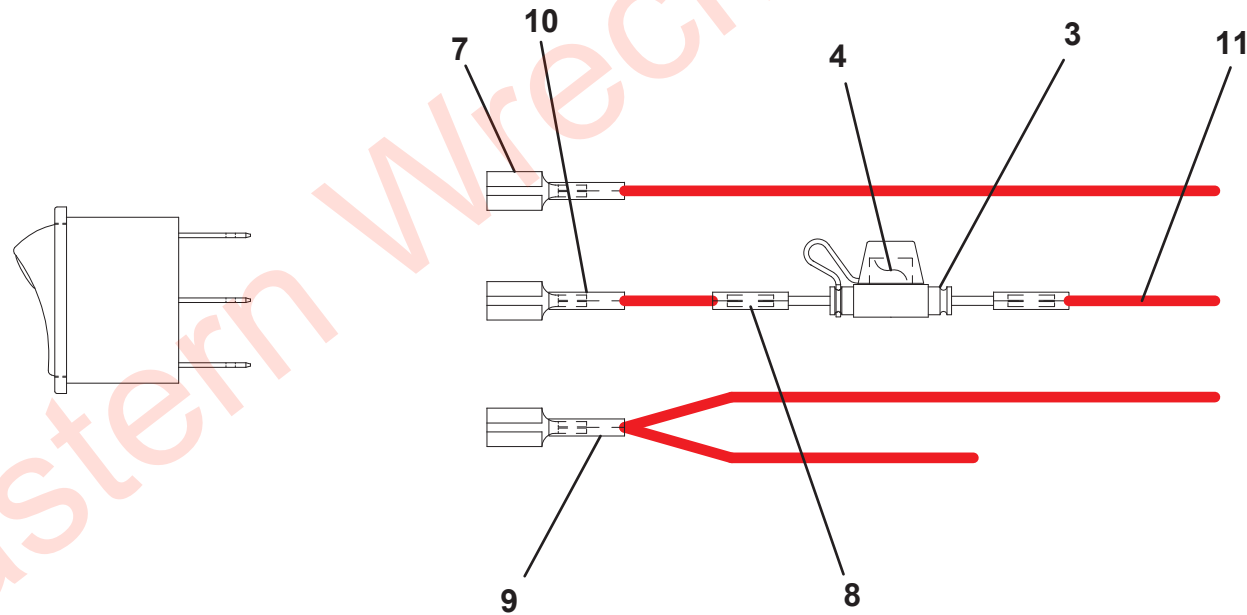
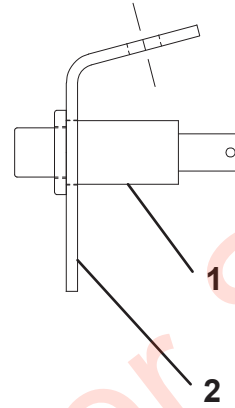
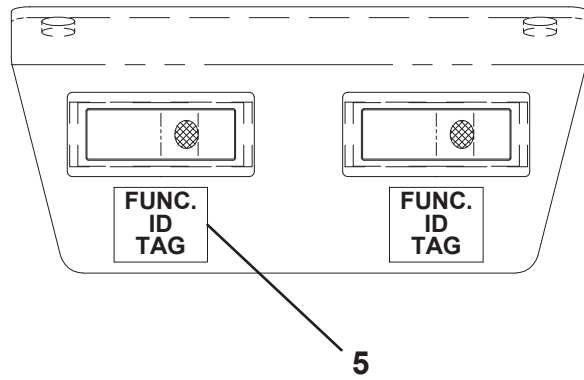


SWITCH PANEL, 2 FUNCTION

ITEM	PART NO.	DESCRIPTION	QTY
1	7870000083	Switch	2
2	4178000427	Bracket	1
3	7346000126	Fuse Holder	2
4	7457000015	Fuse	2
5	7330000288	Decal	1
6	7120000034	Screw, #10 x 0.75"	2
7	7345001710	Tab	4
8	7345001914	Terminal	4
9	4346000005	Heat Shrink Tubing	10
10	7345001910	Tab	2
11	4978000046	Wire	1

Eastern Wrecker Sales Inc

SWITCH PANEL, 2 FUNCTION

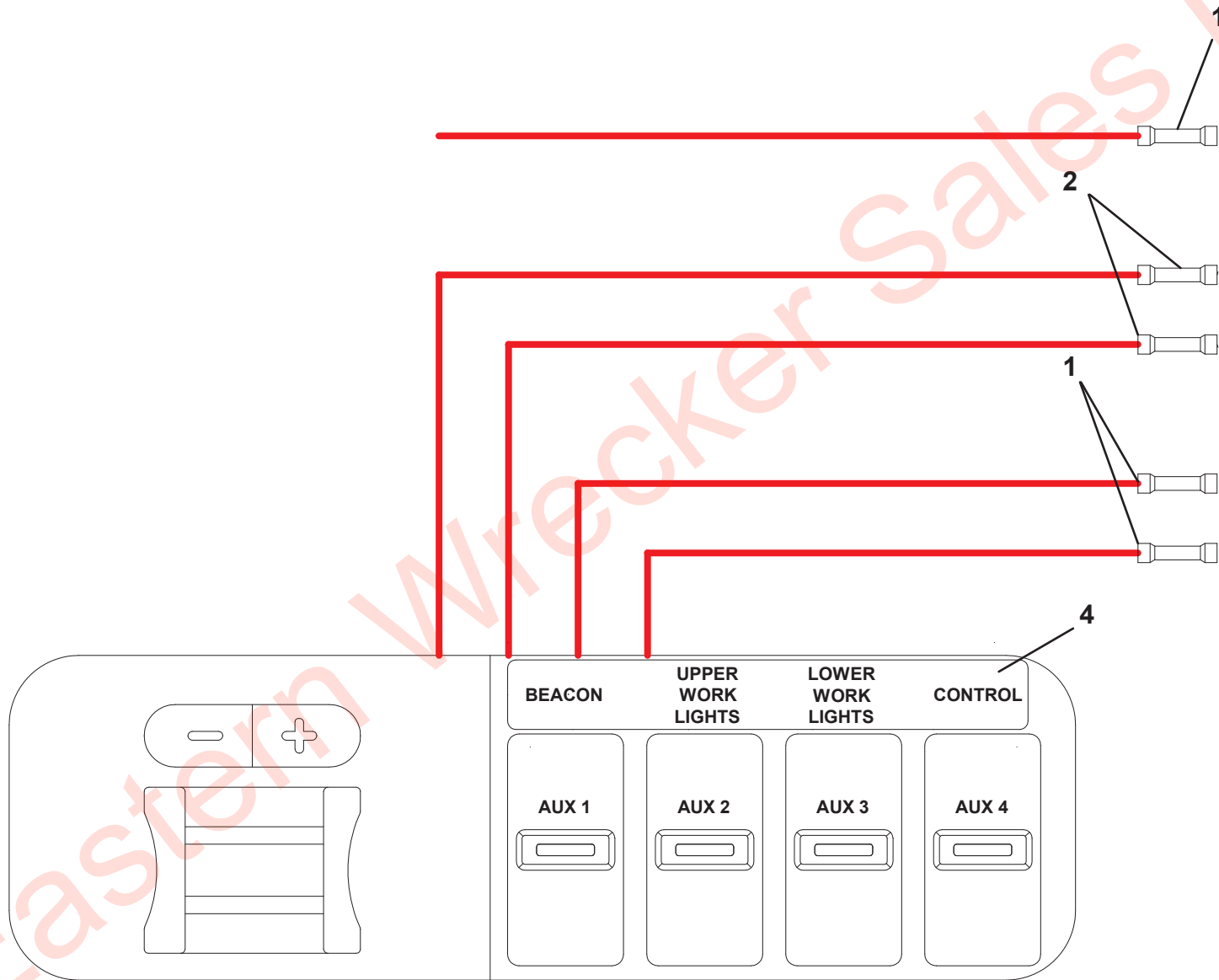


SWITCH PANEL, 4 FUNCTION 11-16 FORD OEM F450/550

ITEM	PART NO.	DESCRIPTION	QTY
1	7345001713	Connector	3
2	7346000242	Connector	2
3	4346000005	Heat Shrink Tubing	4
4	7330000630	Decal	1

Eastern Wrecker Sales Inc

SWITCH PANEL, 4 FUNCTION 11-16 FORD OEM F450/550

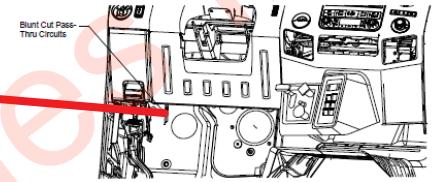
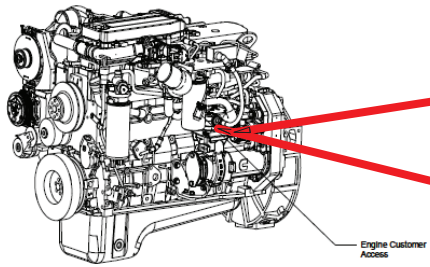


SWITCH PANEL, 4 FUNCTION 2011+ FORD F650/750

ITEM	PART NO.	DESCRIPTION	QTY
1	7345001714	Terminal	1
2	7345001713	Connector	1
3	7346000242	Connector	1
4	4346000005	Heat Shrink Tubing	7
5	1001129095	Terminal	4
6	7978000020	Wire	.25
7	7330000630	Decal	1

Eastern Wrecker Sales Inc

SWITCH PANEL, 4 FUNCTION 2011+ FORD F650/750



LT GREEN/PURPLE - PASS-THRU

GREY - IGNITION HOT

LIGHT GREEN/PURPLE (PASS-THRU)

WHITE/BLACK 16GA CABINET

ORANGE 12GA BEACON 1

ORANGE/BLACK 12GA BEACON 2

GRAY 16GA WORK LIGHTBAR

BLUE 16GA HOOK-UP LIGHTS

RED/WHITE 16GA CONTROLS

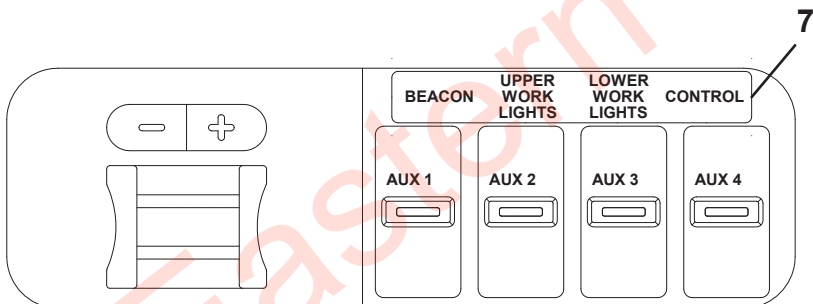
BLUE/BLACK - UNUSED

BROWN/WHITE - UNUSED

WHITE/RED - UNUSED

RED - UNUSED

BROWN - UNUSED

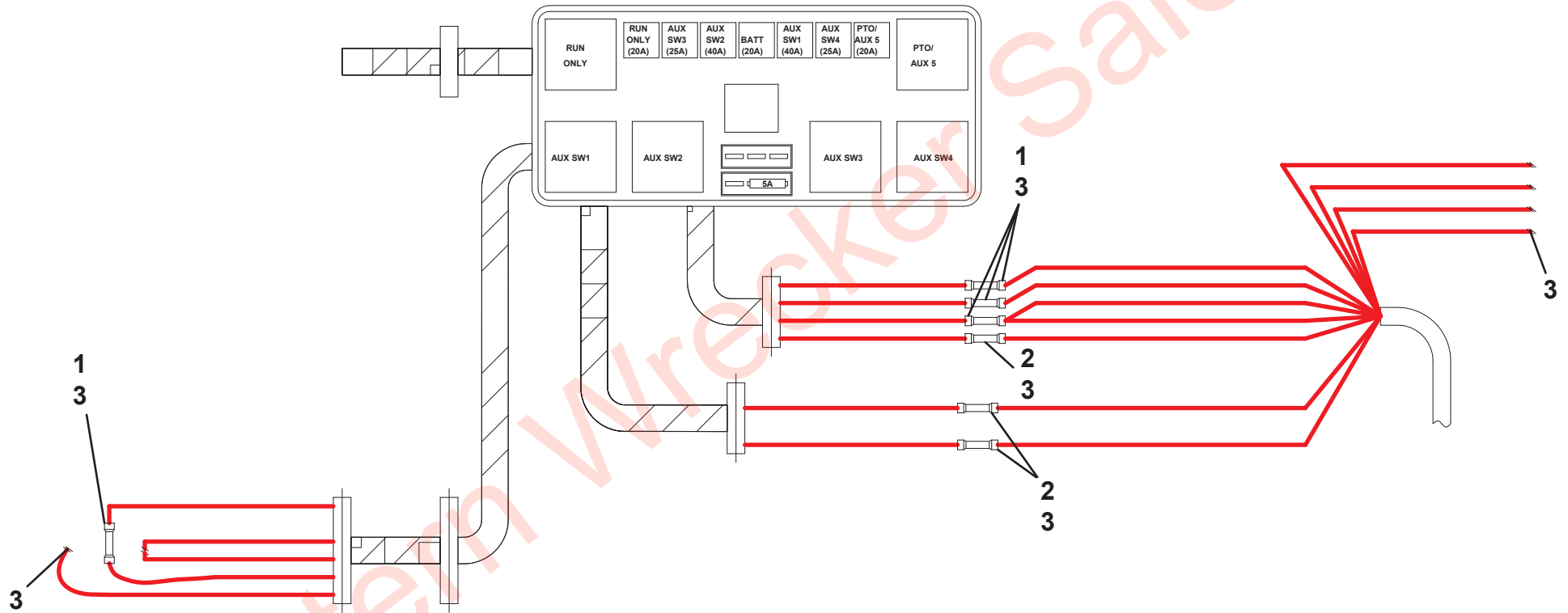


SWITCH PANEL, 5 FUNCTION IN-DASH 2013 DODGE

ITEM	PART NO.	DESCRIPTION	QTY
1	7345001914	Terminal	3
2	7345001714	Terminal	4
3	7346000039	Tubing	2ft

Eastern Wrecker Sales Inc

SWITCH PANEL, 5 FUNCTION IN-DASH 2013 DODGE



THIS PAGE INTENTIONALLY LEFT BLANK

Eastern Wrecker Sales Inc

SECTION 8 - DECAL

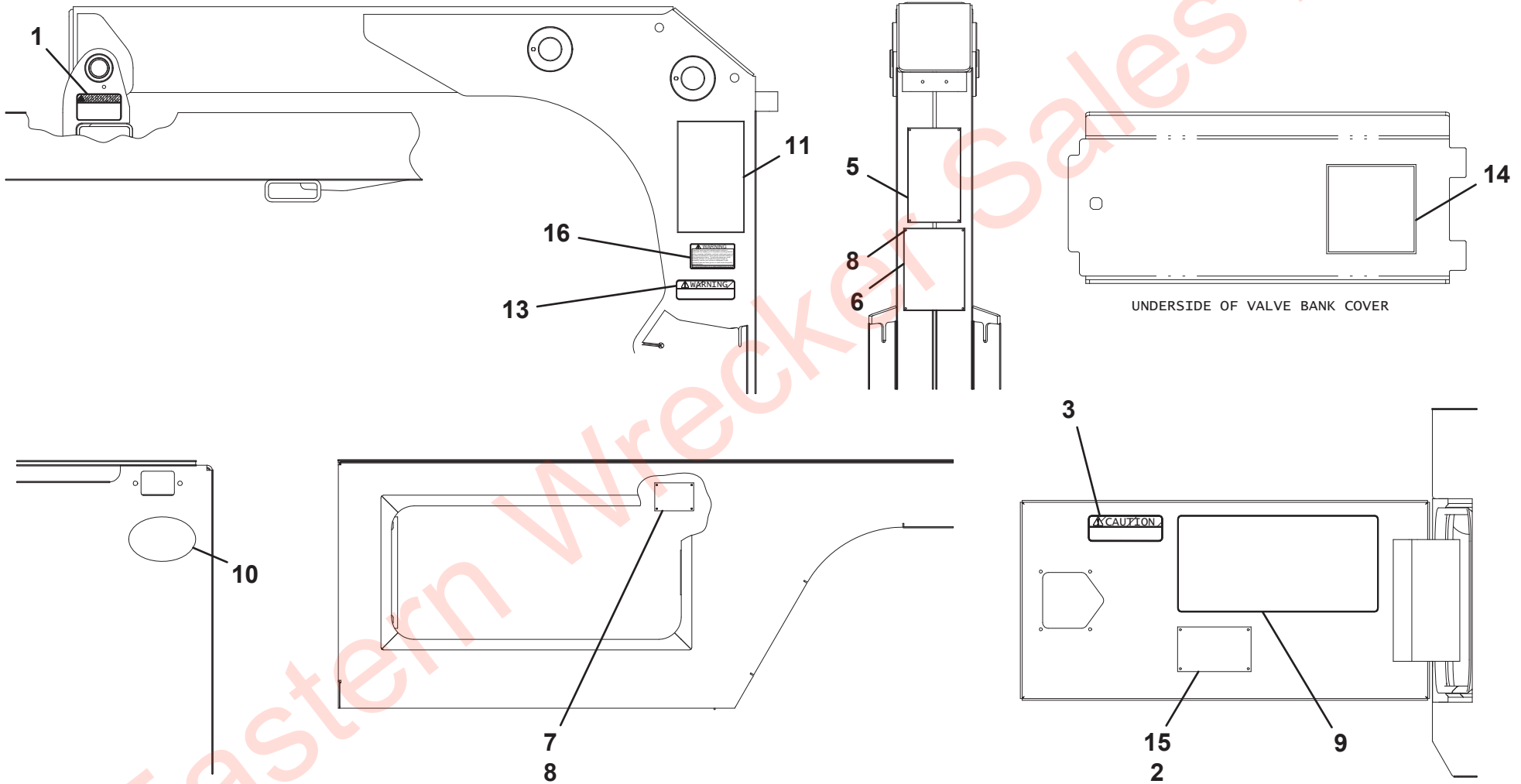
Eastern Wrecker Sales Inc

DECAL INSTALLATION

ITEM	PART NO.	DESCRIPTION	QTY	REV
	2509290124	Decal Installation	Ref	C
1	7330000546	Decal, Winch Cable Warning	1	
2	1001132346	Patent Placard	1	
3	7330000034	Decal, Caution	1	
5	1001132509	Decal, Serial Number	1	
6	7330000307	Decal, Placard	1	
7	1001127220	Decal, Ident Tag	1	
8	7759000004	Pop Rivet	12	
9	1001207920	Decal, Lubrication	1	
10	7330000143	Decal, Made in the USA	1	
11	7330000138	Decal, Alum	1	
12	7330000139	Decal, Checklist	1	
13	7330000122	Decal, Warning	2	
14	7330000699	Decal, Manual	1	
15	4892000007	Tape, Double Face	2	

Eastern Wrecker Sales Inc

DECAL INSTALLATION



THIS PAGE INTENTIONALLY LEFT BLANK

Eastern Wrecker Sales Inc

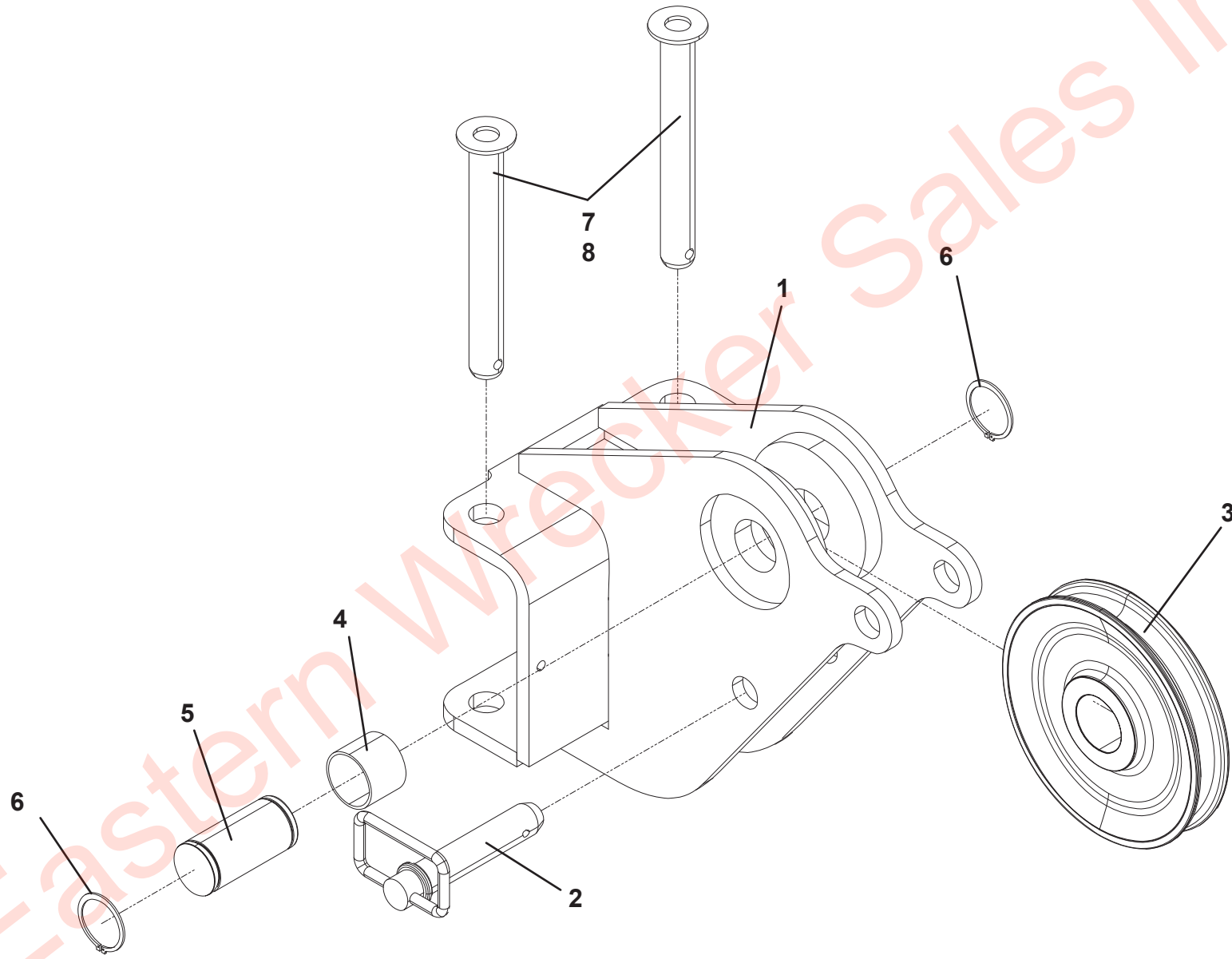
SECTION 9 - ACCESSORIES

LOW ANGLE RECOVERY SHEAVE, SWIVEL HEAD

ITEM	PART NO.	DESCRIPTION	QTY	REV
	2509610148	Low Angle Recovery Sheave, Swivel Head	Ref	
1	3249000040	Sheave Weldment	1	
2	7691000053	Pin	1	
3	7809000013	Sheave	1	
4	7082000032	Bearing	1	
5	4691000572	Pin	1	
6	7754000006	Retaining Ring	2	
7	3691000195	Pin	2	
8	7691000027	Pin	2	

Eastern Wrecker Sales Inc

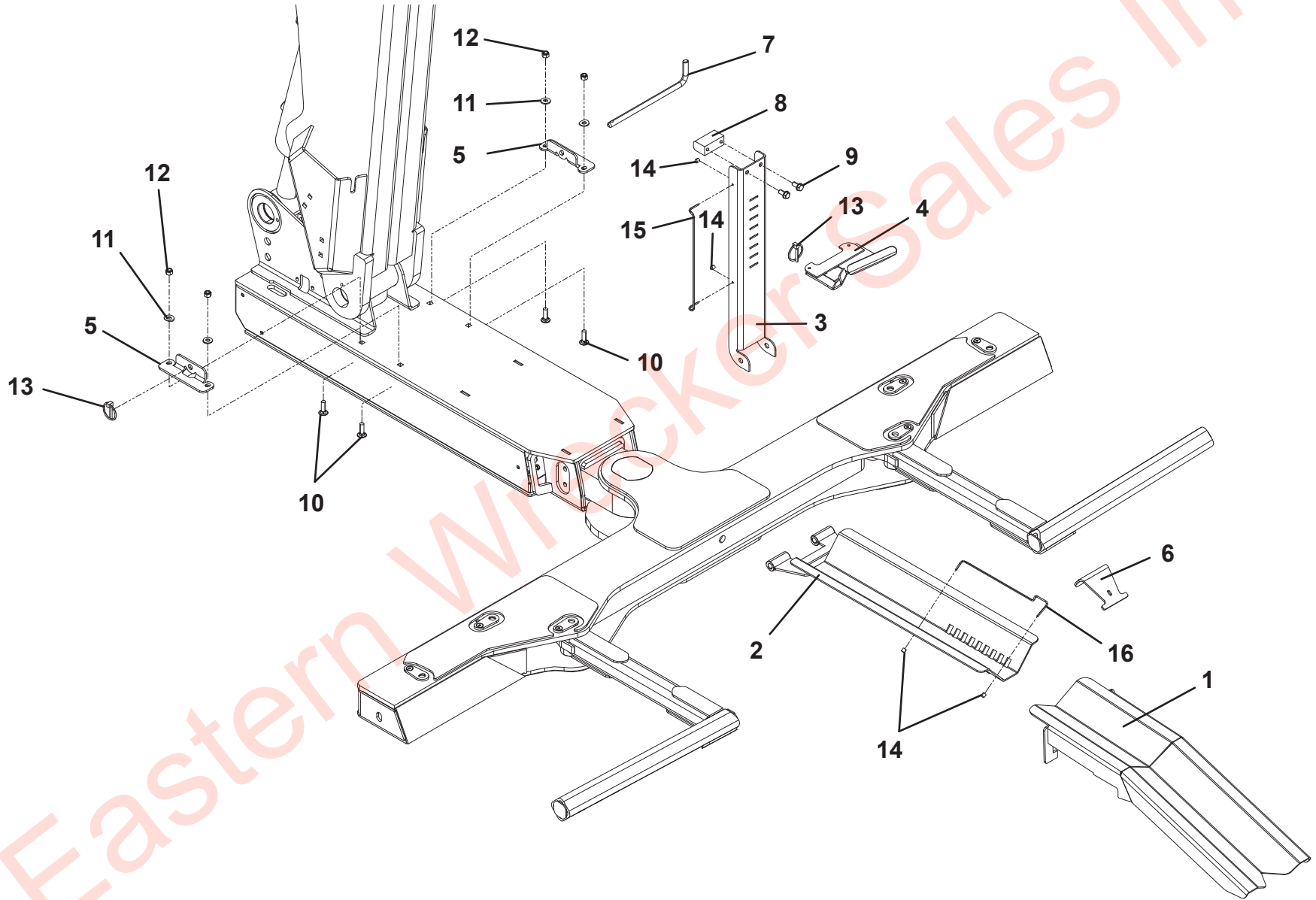
LOW ANGLE RECOVERY SHEAVE, SWIVEL HEAD



MOTORCYCLE TOW BRACKET INSTALLATION

ITEM	PART NO.	DESCRIPTION	QTY
1	3178000470	Bracket	1
2	3178000468	Bracket	1
3	4263000710	Channel	1
4	3178000469	Bracket	1
5	4178000636	Bracket	2
6	4178000639	Bracket	1
7	4691000547	Pin	1
8	4679000275	Pad	1
9	7790161253	Screw, 0.38"-16NC x 0.75"	2
10	7115161064	Bolt, 0.38"-16NC x 1.25"	4
11	7950150161	Flatwasher, 0.31" ID	4
12	7660162601	Locknut, 0.38"-16NC	4
13	7691000047	Pin	2
14	7819000012	Sleeve	4
15	4248000002	Wire Rope	1
16	4248000003	Wire Rope	1
17	7577000375	Tiedown Kit	1
18	7120000052	Eye Bolt	2

MOTORCYCLE TOW BRACKET INSTALLATION

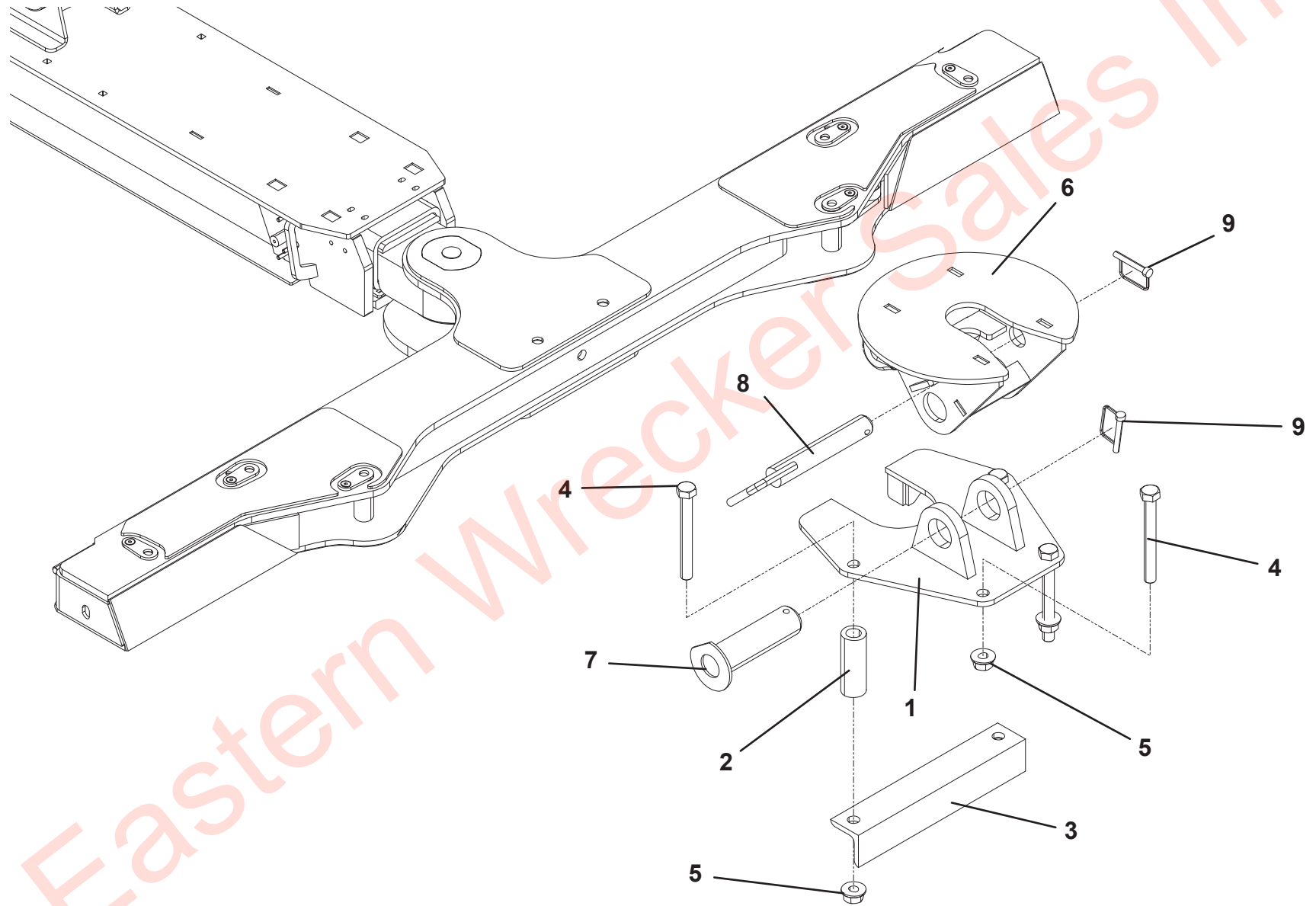


TOW ACCESSORY 5TH WHEEL

ITEM	PART NO.	DESCRIPTION	QTY
1	3178000543	Bracket	1
2	4912000432	Tube	2
3	4017001612	Angle	1
4	7118225250	Capscrew, 0.75"-10NC x 6.50"	4
5	7661000069	Nut, 0.75"-10NC	4
6	3178000562	Bracket	1
7	3691000144	Pin	1
8	3691000145	Pin	1
9	7691000025	Pin	2

Eastern Wrecker Sales Inc

TOW ACCESSORY 5TH WHEEL

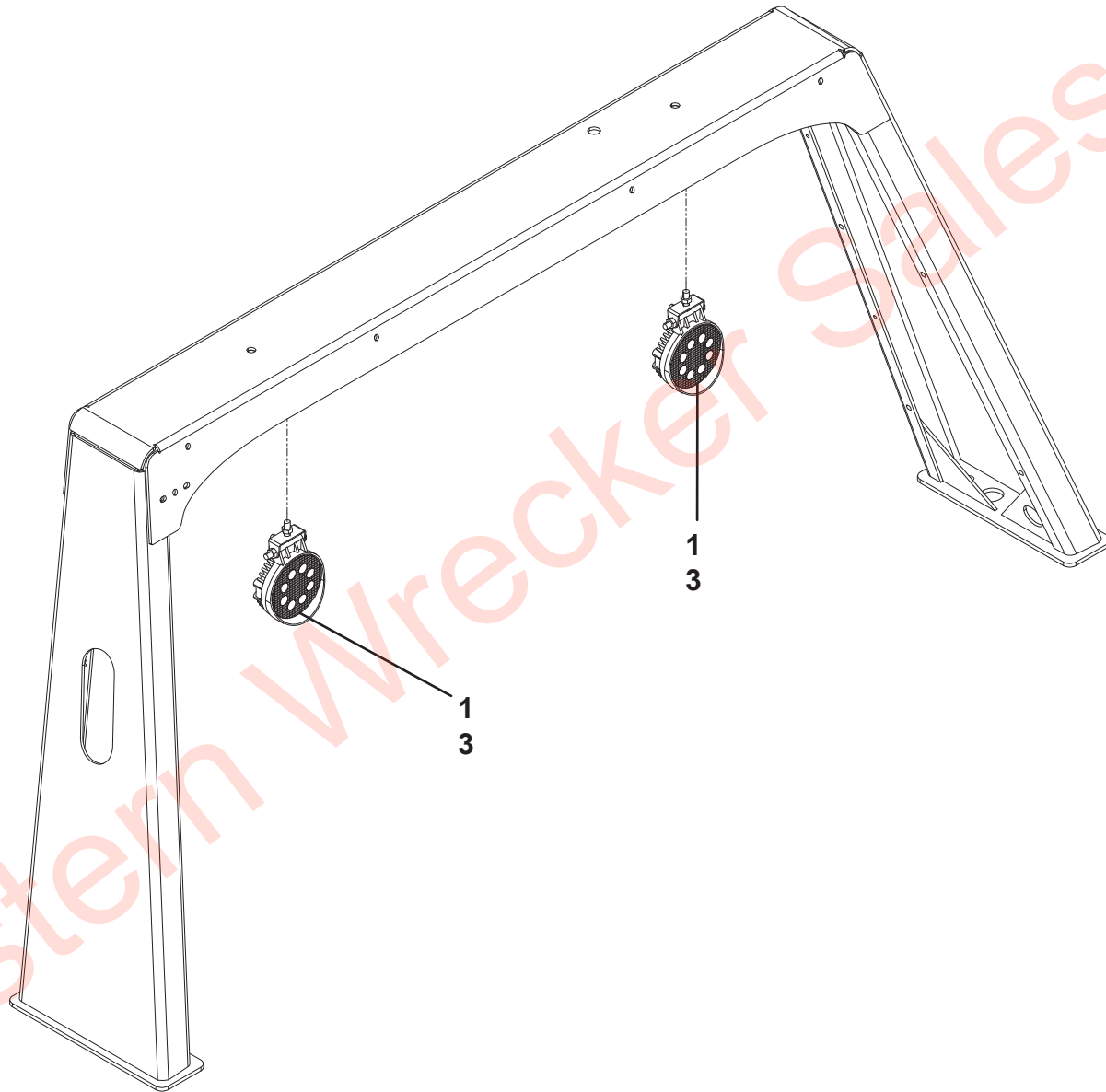


UPPER WORK LIGHT INSTALLATION

ITEM	PART NO.	DESCRIPTION	QTY
1	1001176337	Lamp	2
2	7493000011	Grommet	2

Eastern Wrecker Sales Inc

UPPER WORK LIGHT INSTALLATION

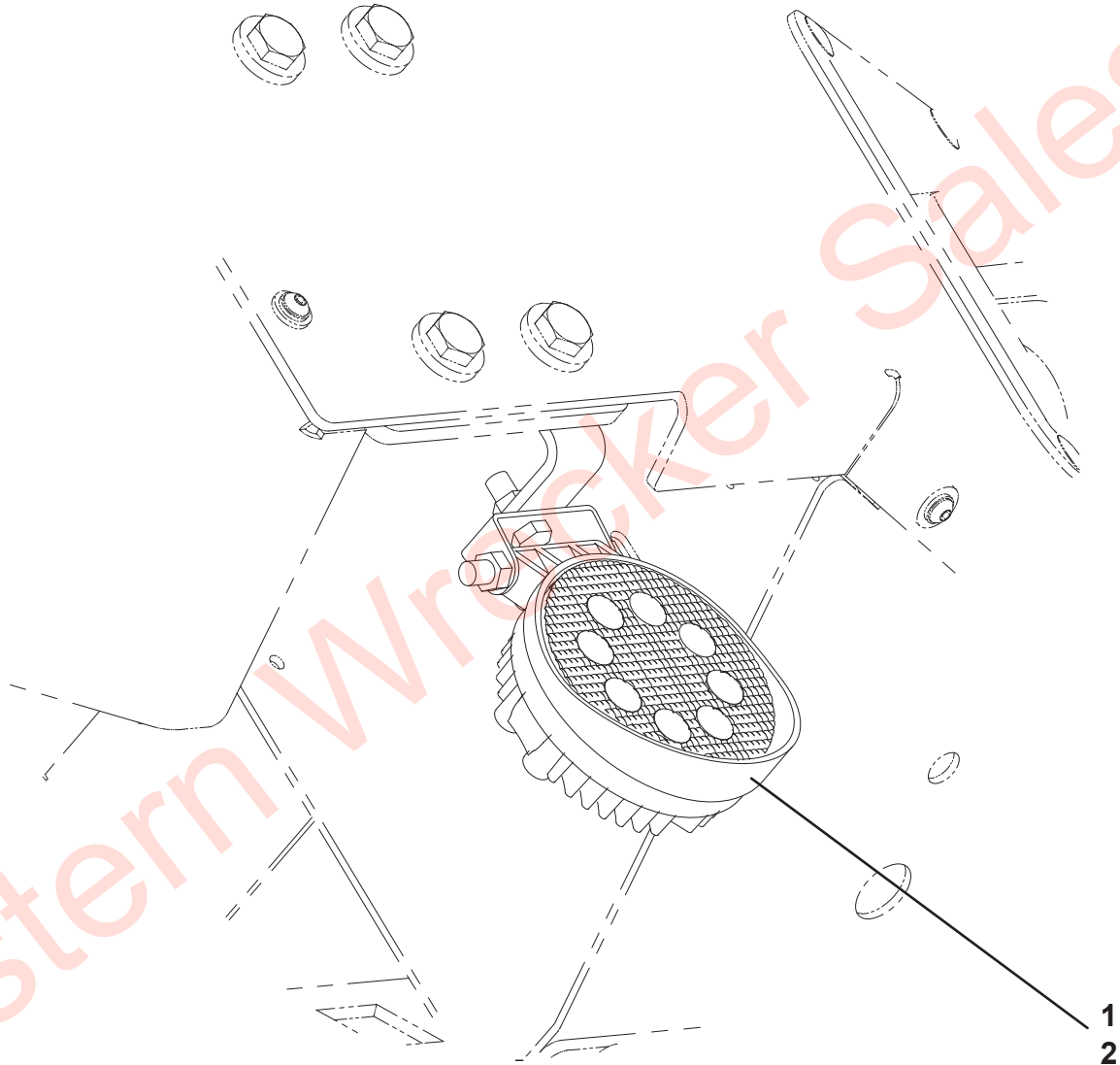


LOWER WORK LIGHT INSTALLATION

ITEM	PART NO.	DESCRIPTION	QTY
1	1001176337	Lamp	2
2	4178000784	Bracket	2

Eastern Wrecker Sales Inc

LOWER WORK LIGHT INSTALLATION

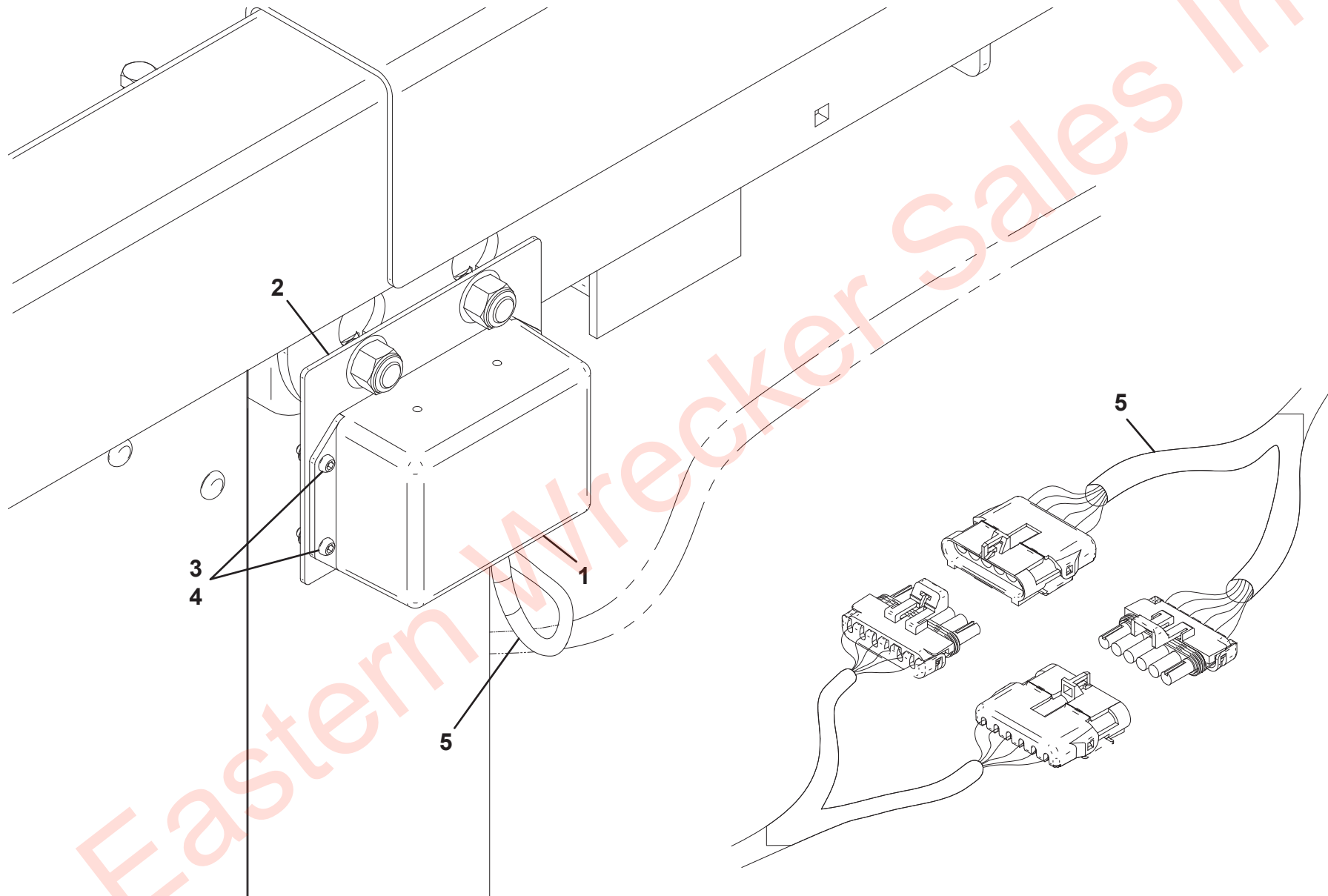


WIRELESS REMOTE INSTALLATION

ITEM	PART NO.	DESCRIPTION	QTY
1	7295000116	Wireless Control	1
2	4636000038	Wireless Remote	1
3	7114100518	Capscrew, #10-24NC x 0.62"	4
4	7660102604	Locknut, #10-24NC	4
5	7552000384	Harness	1
6	5526000553	Tie Strap	5
7	7075000003	Battery	1

Eastern Wrecker Sales Inc

WIRELESS REMOTE INSTALLATION

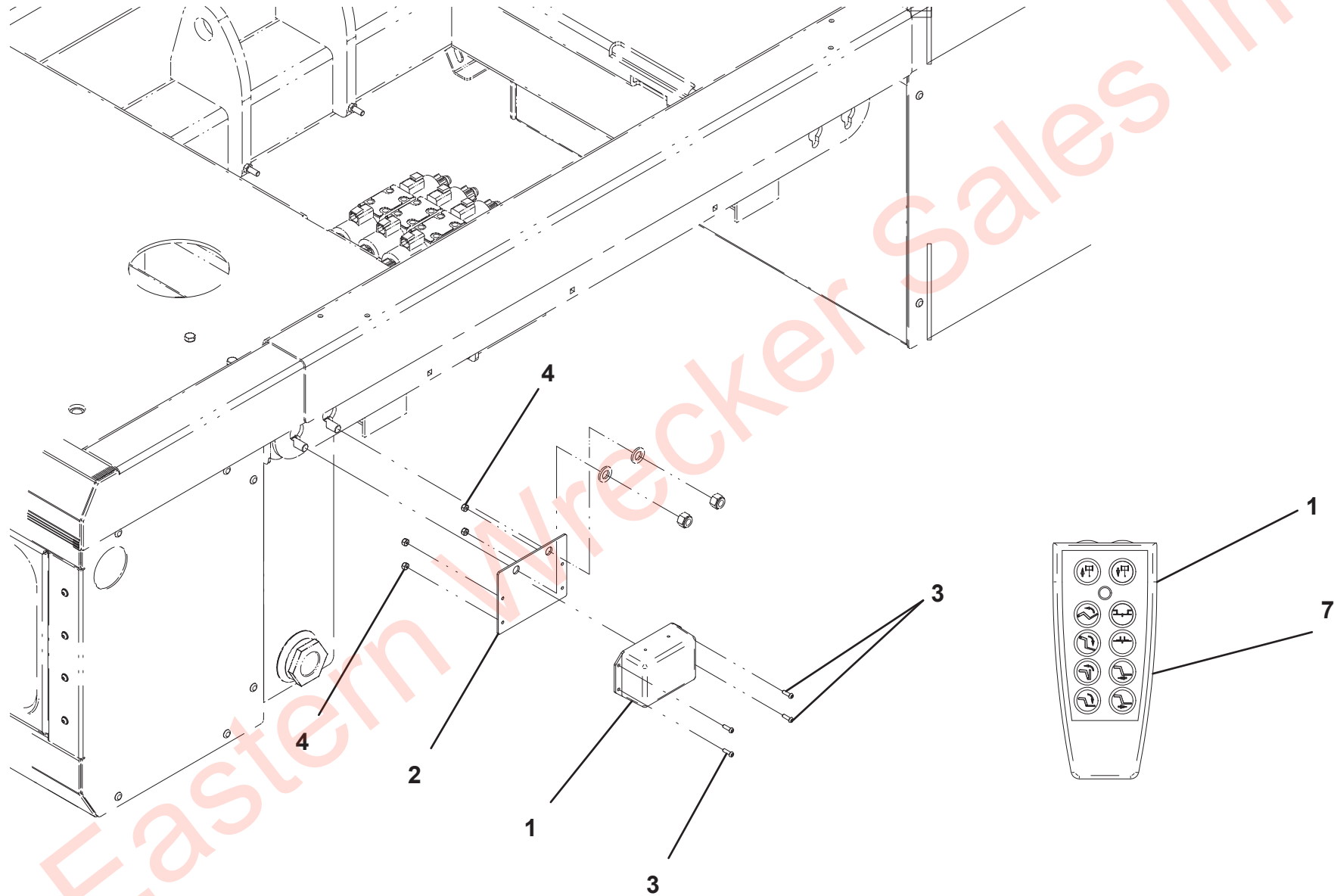


WIRELESS REMOTE CONTROL INSTALLATION, 5 FUNCTION

ITEM	PART NO.	DESCRIPTION	QTY	REV
	2295000016	Wireless Remote Control Installation, 5 Function	Ref	B
1	7295000117	Wireless Control 10 Func Miratron	1	
2	4706005595	Mount Wireless Remote	1	
3	7114100518	Capscrew, #10-24NC X 0.62"	4	
4	7660102604	Locknut #10-24NC	4	
5	7552000386	Harness-10 Function Wireless Remote	1	
6	5526000553	Tie Strap	5	
7	7075000003	Battery	1	

Eastern Wrecker Sales Inc

WIRELESS REMOTE CONTROL INSTALLATION, 5 FUNCTION

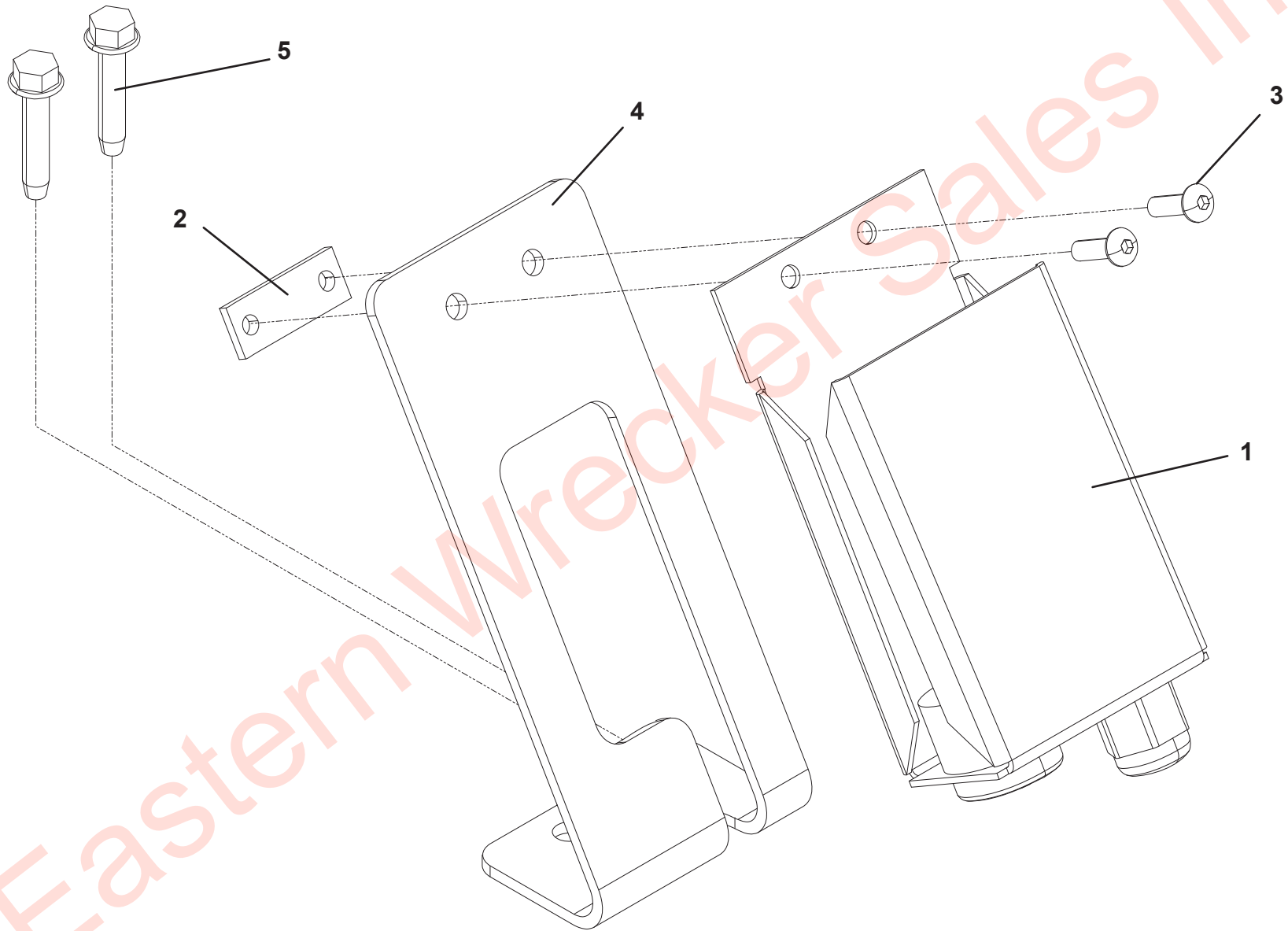


WIRELESS REMOTE HOLDER INSTALLATION

ITEM	PART NO.	DESCRIPTION	QTY
1	7002000521	Wireless Remote Holder	1
2	7661000056	Nut, #10-24NC	1
3	7114100518	Bolt, #10-24NC	2
4	1001230127	Mount	1
5	7790142051	Screw, 0.25" x 1.25"	2

Eastern Wrecker Sales Inc

WIRELESS REMOTE HOLDER INSTALLATION

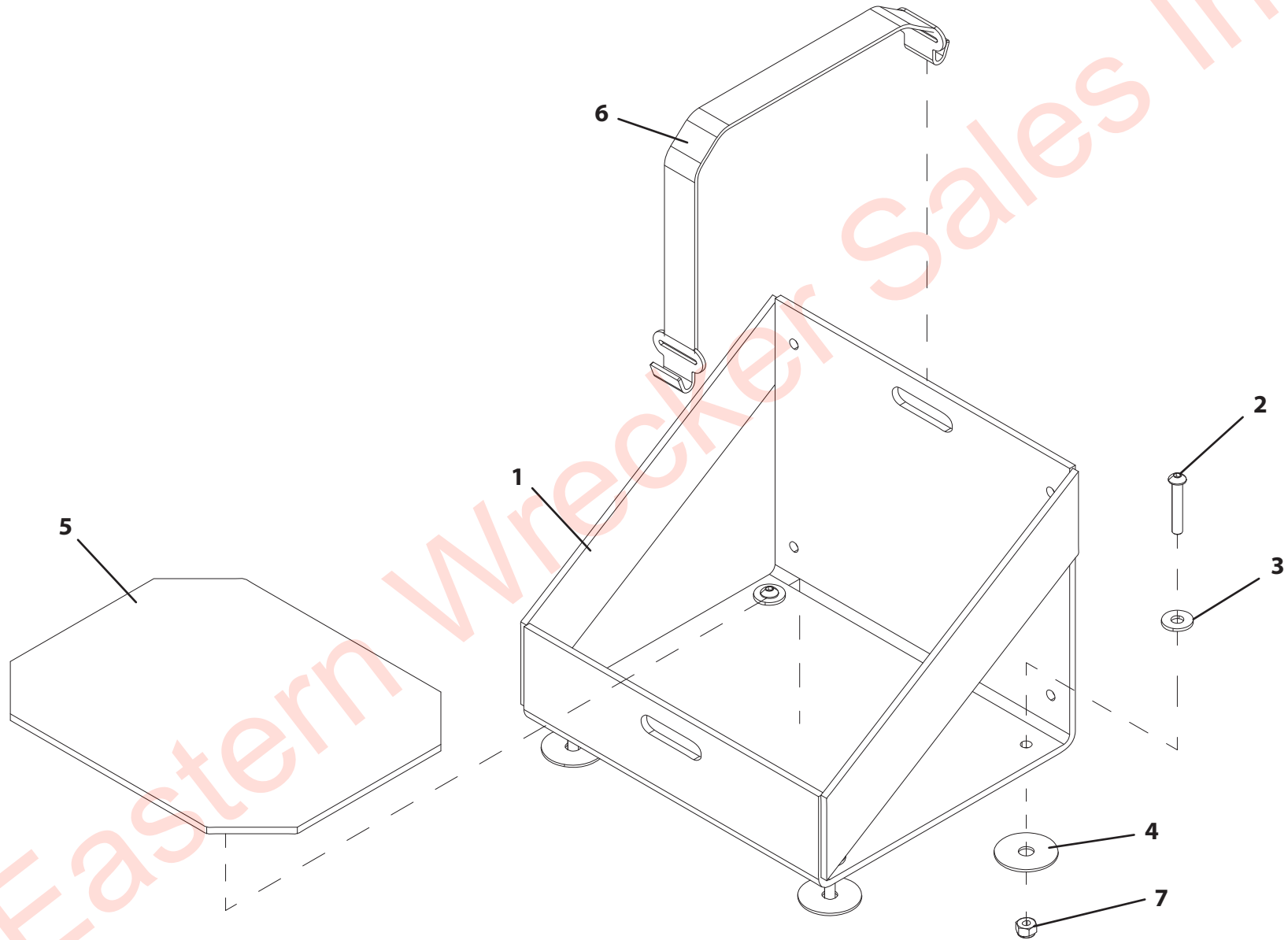


KIT, FUEL CAN STORAGE

ITEM	PART NO.	DESCRIPTION	QTY	REV
	1001211866	Kit, Fuel Can Storage	Ref	A
1	3178000471	Bracket Weld Fuel Can	1	
2	7114141218	Capscrew, 0.25"-20NC X 1.50"	4	
3	7950140153	Flatwasher, 0.25" ID	8	
4	7949000055	Washer, 1.50" ID	4	
5	4679000274	Pad	1	
6	7894000063	Tie Strap	1	
7	7660142604	Locknut, 0.25"-20NC	4	

Eastern Wrecker Sales Inc

KIT, FUEL CAN STORAGE

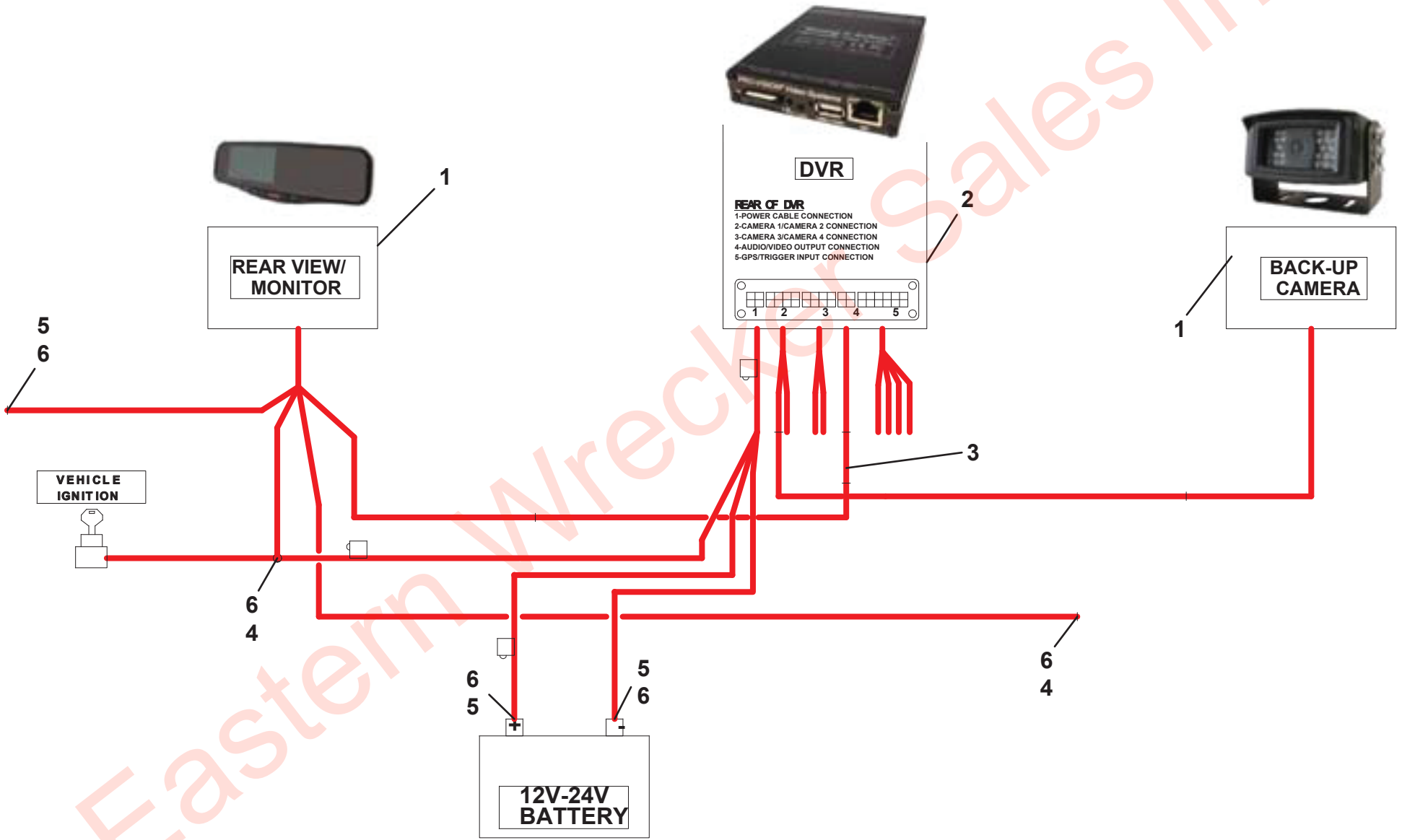


BACKUP CAMERA W/ DVR INSTALLATION

ITEM	PART NO.	DESCRIPTION	QTY
1	1001139909	Camera System	1
2	1001139911	DVR	1
3	1001142453	Cable	1
4	7345001914	Terminal	2
5	7345221902	Terminal	3
6	7346000039	Tubing	0.25

Eastern Wrecker Sales Inc

BACKUP CAMERA W/ DVR INSTALLATION

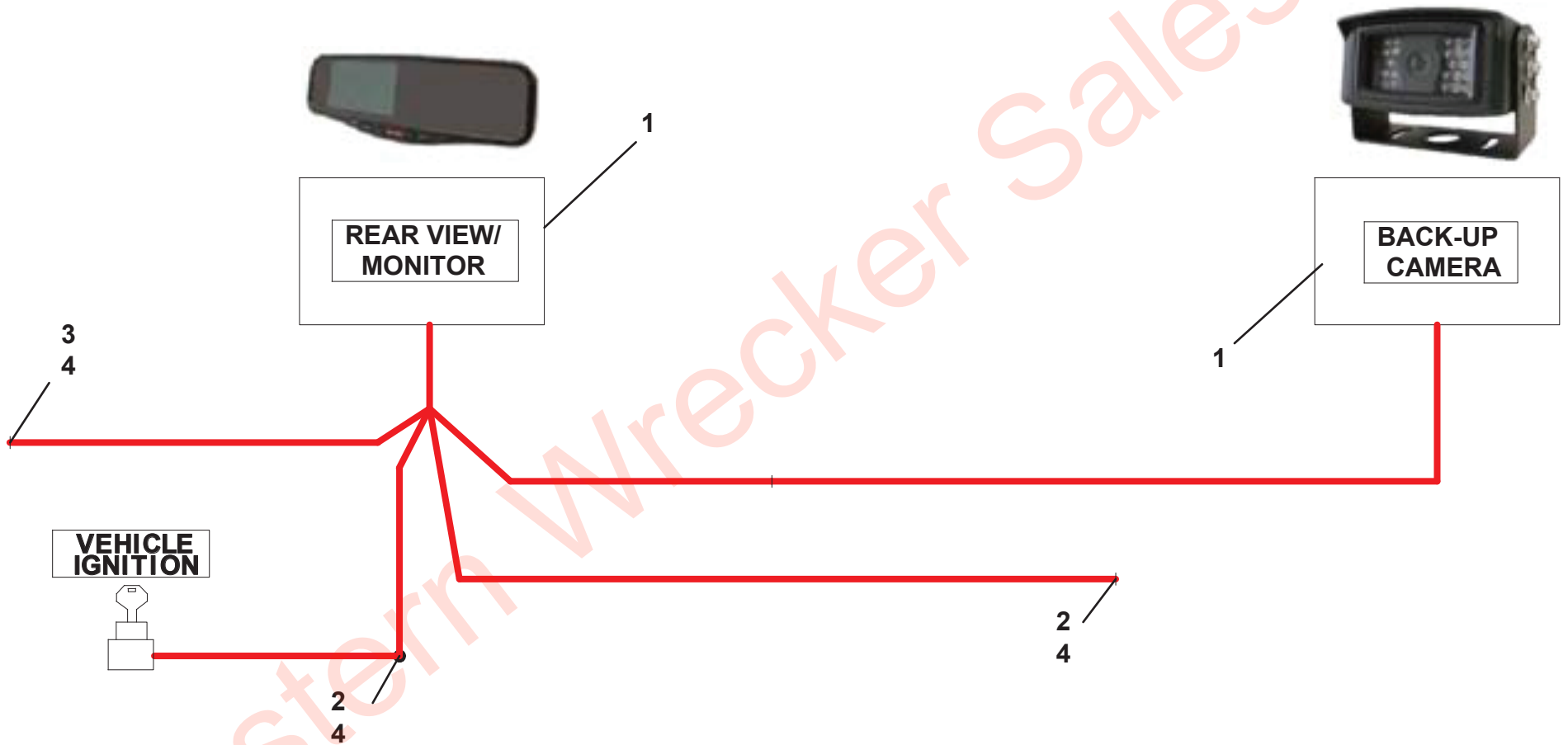


BACKUP CAMERA INSTALLATION

ITEM	PART NO.	DESCRIPTION	QTY
1	1001139909	Camera System	1
2	7345001914	Terminal	2
3	7345221902	Terminal	1
4	7346000039	Tubing	.17

Eastern Wrecker Sales Inc

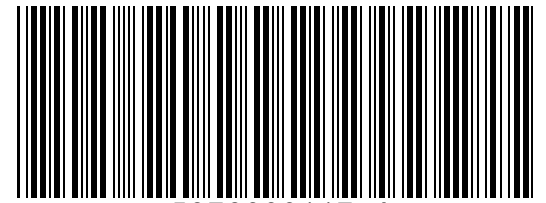
BACKUP CAMERA INSTALLATION



Eastern Wrecker Sales Inc



Phone (800) 926-9666



5376000117- A