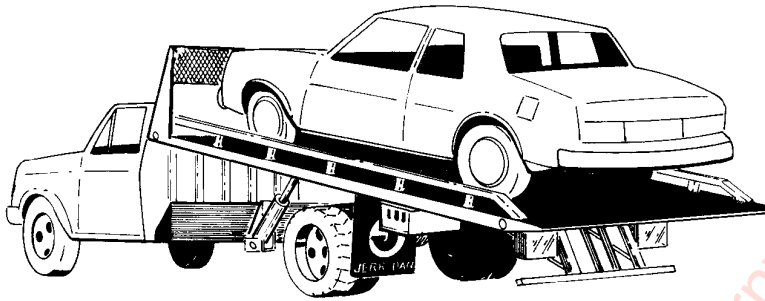




5 TON
WRANGLER II

OPERATION, MAINTENANCE,
AND PARTS MANUAL



JERR-DAN
CORP.

1080 Hykes Road
Greencastle, PA 17225

Phone (717) 597-7111

Eastern Wrecker Sales, Inc. - www.easternwrecker.com - 919-553-4038

PARTS LIST — FINAL ASSEMBLY BASIC UNIT

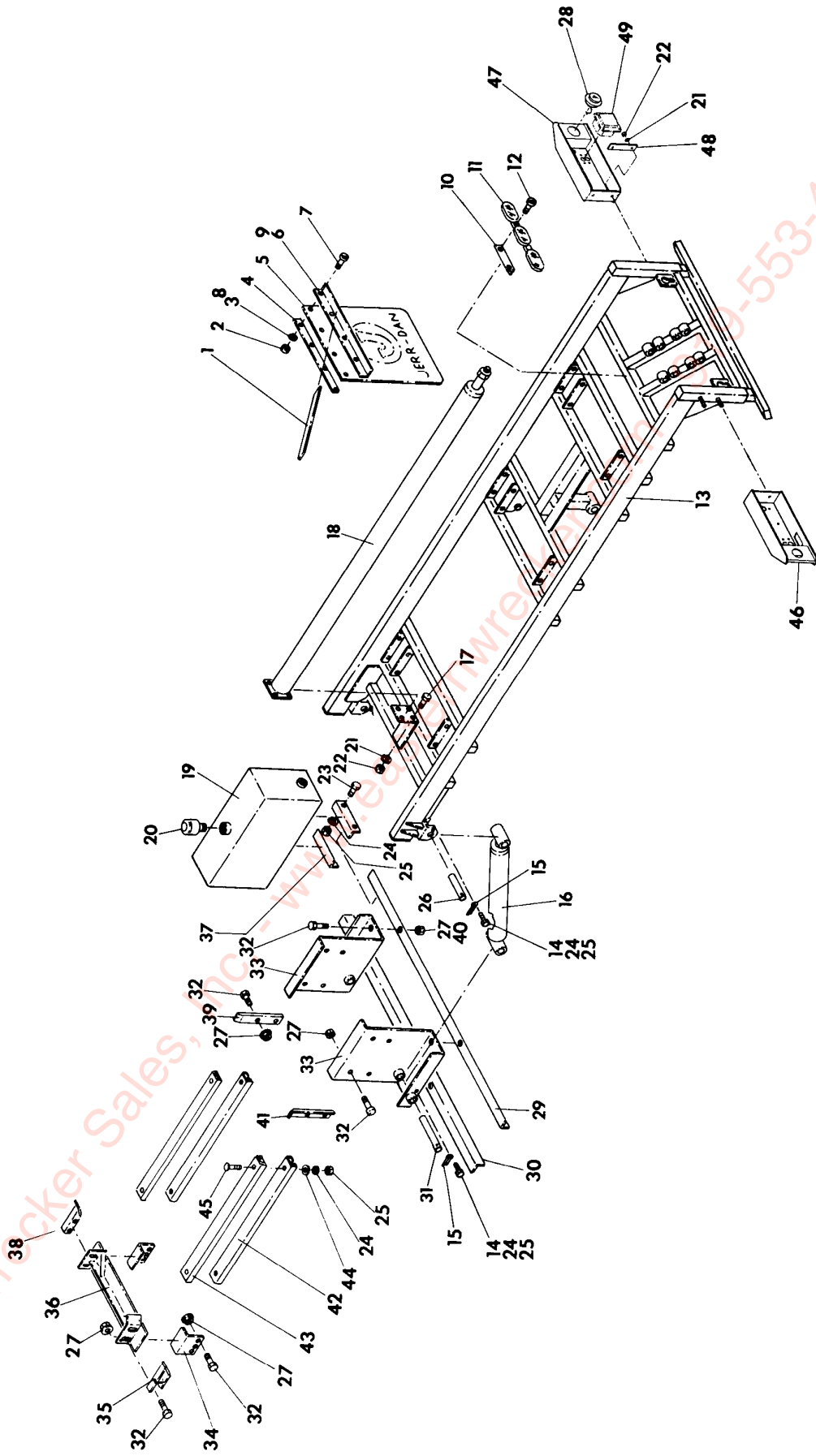
Ref. No.	Part No.	Description	Qty.
1	A4-525-000085	Brace	2
2	7-660-150000	Hex Nut	8
3	7-950-150000	Lockwasher	8
4	B4-706-000112	Back-up Strip	2
5	D7-638-000011	Mud Flap	2
6	B4-525-000710	Right Mud Flap Angle	1
7	7-111-150813	Truss Head Screw	8
8	7-950-150161	Flatwasher	8
9	B4-525-000709	Left Mud Flap Angle	1
10	A4-533-1-00080	Light Bar Angle	1
11	A7-590-000007	Light Bar	1
12	7-790-141056	Self Tapping Screw	2
13	D3-533-700005	Subframe	1
14	7-115-161050	Hex Head Bolt	4
15	7-690-163210	Cotter Pin	4
16	C1-700-1-00024	Tilt Cylinder	2
17	7-115-181450	Hex Head Bolt	4
18	C3-320-000015	Rollback Cylinder	1
19	C3-750-000002	Oil Reservoir	1
20	B7-183-000002	Breather	1
21	7-950-180000	Lockwasher	8
22	7-660-180000	Hex Nut	8
23	7-111-160850	Hex Head Bolt	4
24	7-950-160000	Lockwasher	12
25	7-660-160000	Hex Nut	12
26	A4-691-000051	Upper Tilt Cylinder Pin	2
27	7-660-182333	Hex Flange Nut	26
28	7-590-000009	Light	2
29	B4-533-1-00049	R.H. Saddle Angle	1
30	B4-533-1-00048	L.H. Saddle Angle	1
31	A4-691-000052	Lower Tilt Cylinder Pin	2
32	7-105-181450	Hex Head Bolt	26
33	C3-706-000007	Saddle	2
34	B4-534-000401	Mounting Angle	2
35	B7-258-000003	Hold-Down Block	1
36	C2-533-1-00045	Hold-Down Base	1
37	A4-533-1-00061	Mounting Angle	2
38	B7-258-000002	Hold-Down Block	1
39	A2-526-000175	Body Stay	1
40	7-950-180141	Flatwasher	4
41	A2-526-000176	Body Stay	1
42	4-533-1-00120	C-Channel (20' Deck)	2
	4-533-1-00137	C-Channel (22' Deck)	2
43	4-679-000021	Wood Block (20' Deck)	2
	4-679-000022	Wood Block (22' Deck)	2
44	7-950-160161	Flatwasher	4
45	7-111-163264	Carriage Bolt	4
46	C3-178-000020	L.H. Light Box	1
47	C3-178-000021	R.H. Light Box	1
48	A4-706-000243	Plate	2
49		Stop, Tail, Turn Light	2

4.1

Rev. 1
Date 11-12-87

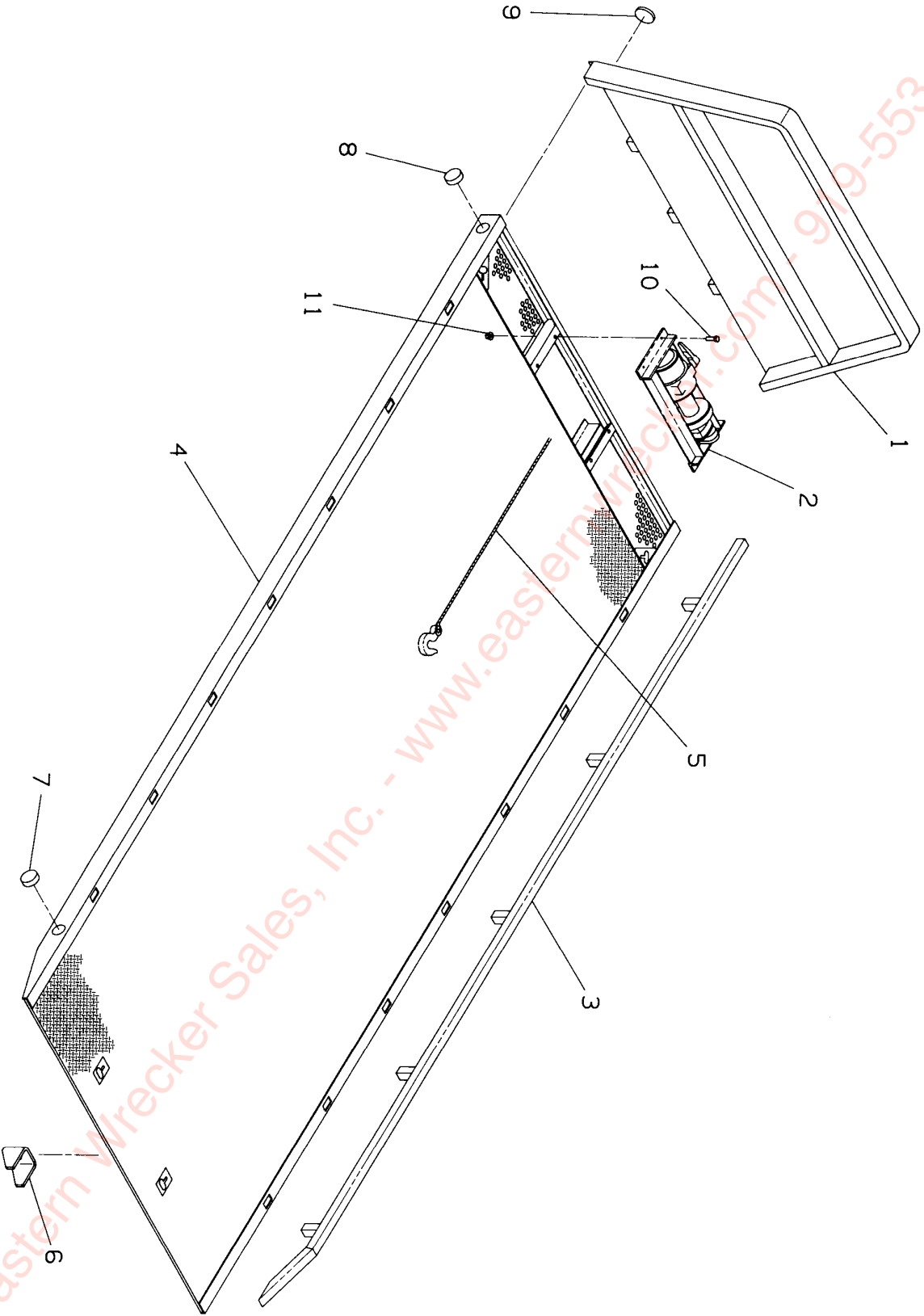
www.easternwrecker.com - 919-553-4038

BASIC UNIT



Eastern Wrecker Sales, Inc. www.easternwrecker.com 1-800-553-4038

DECK



PARTS LIST — DECK

Ref. No.	Part No.	Description	Qty.
1	D3-241-000004	Cab Protector	1
2	C7-970-000009	Winch Assembly	1
3	2-534-0-00076	Raised Rails (20' Deck)	1 pr.
	2-534-0-00077	Raised Rails (22' Deck)	1 pr.
4	3-097-000004	20' Deck	1
	3-097-000009	22' Deck	1
5	A7-248-000001	Winch Cable	1
6	B4-178-000057	Rod Mounting Bracket	1
7	7-590-000009	Red Light	2
8	7-590-000010	Amber Light	2
9	5-531-000023	Amber Reflector	2
10	7-115-181450	Hex Cap Screw	4
11	7-660-182301	Flanged Locknut	4

Eastern Wrecker Sales, Inc. - www.easternwrecker.com - 919-553-4038

4.4

Rev. 1
Date 11-12-87

PARTS LIST — HYDRAULIC TOWBAR

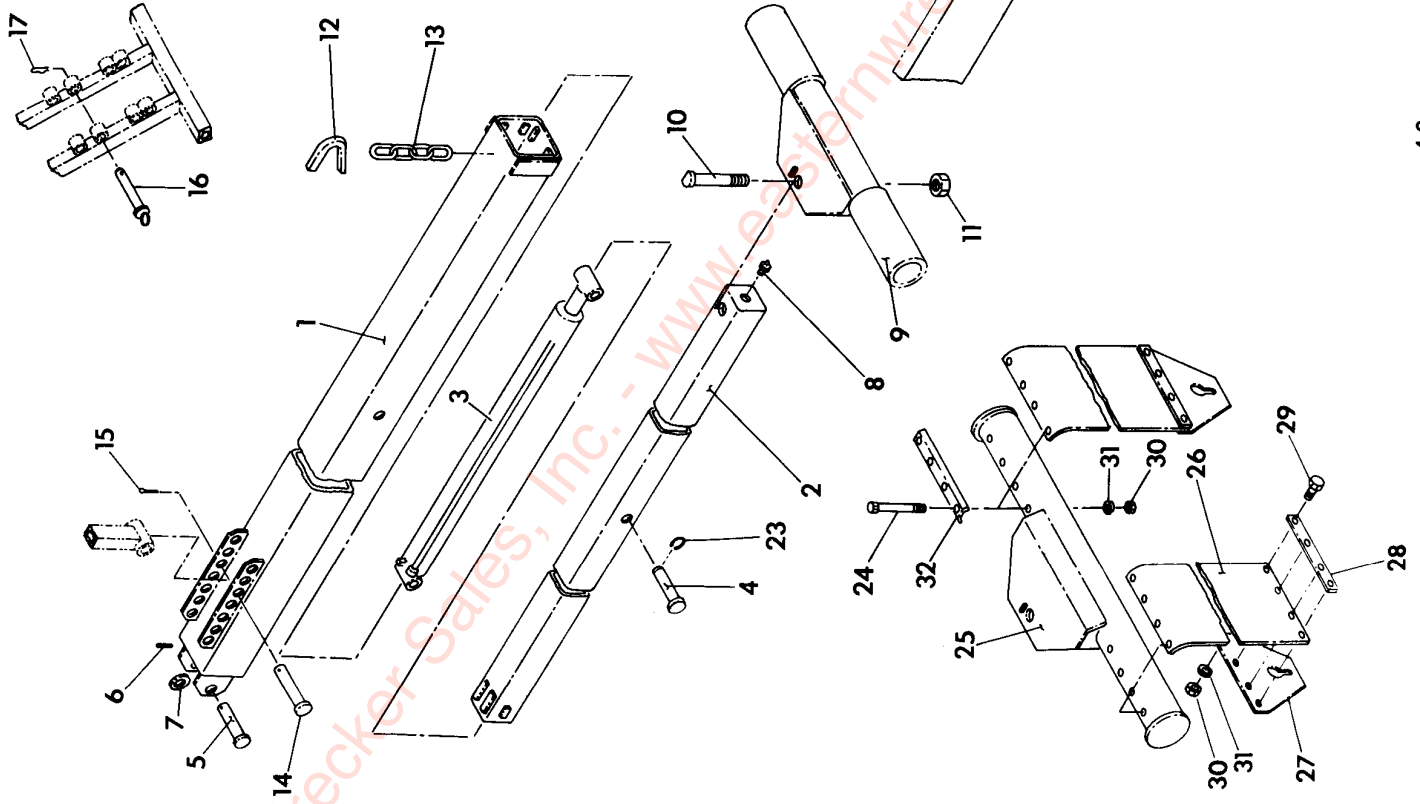
Ref. No.	Part No.	Description	Qty.
1	D3-170-00005	Outer Tube	1
2	C3-170-00004	Inner Tube	1
3	C3-320-00006	Towbar Cylinder	1
4	A3-691-000011	Cylinder Cross Pin	1
5	A3-691-000013	Cylinder Base Pin	1
6	7-690-143244	Expansion Pin	1
7	A4-949-000006	Spacer	2
8	7-440-000000	Grease Fitting	1
9	A7-912-000011	Rubber Tube	2
10	A3-691-000016	Hitch Pin	1
11	7-660-261638	Locknut	1
12	A4-534-000300	Clip	1
13	5-530-000084	Safety Chain	1
14	A3-691-000014	Towbar Attaching Pin	1
15	7-690-103210	Cotter Pin	1
16	A3-691-000015	Height Adjusting Pin	2
17	A7-691-000001	Hair Pin	2
18	A7-291-000003	Receptacle	1
19	7-111-140613	Truss Head Screw	2
20	7-660-140000	Hex Nut	2
21	7-950-140251	Flatwasher	2
22	7-950-140000	Lockwasher	2
23	A7-754-000006	Retaining Ring	1
24	7-111-163250	Hex Head Bolt	8
25	C2-100-2-00026	Strap Towhitch	1
26	7-822-000006	Straps	2
27	B4-706-000286	Key Slot	2
28	A4-706-000268	Clamp Bar	2
29	7-111-161250	Hex Head Bolt	8
30	7-660-160000	Hex Nut	16
31	7-950-160000	Lockwasher	16
32	A4-706-000267	Clamp Bar	2

Eastern Wrecker Sales, Inc. - www.easternwrecker.com - 919-553-4038

4.5

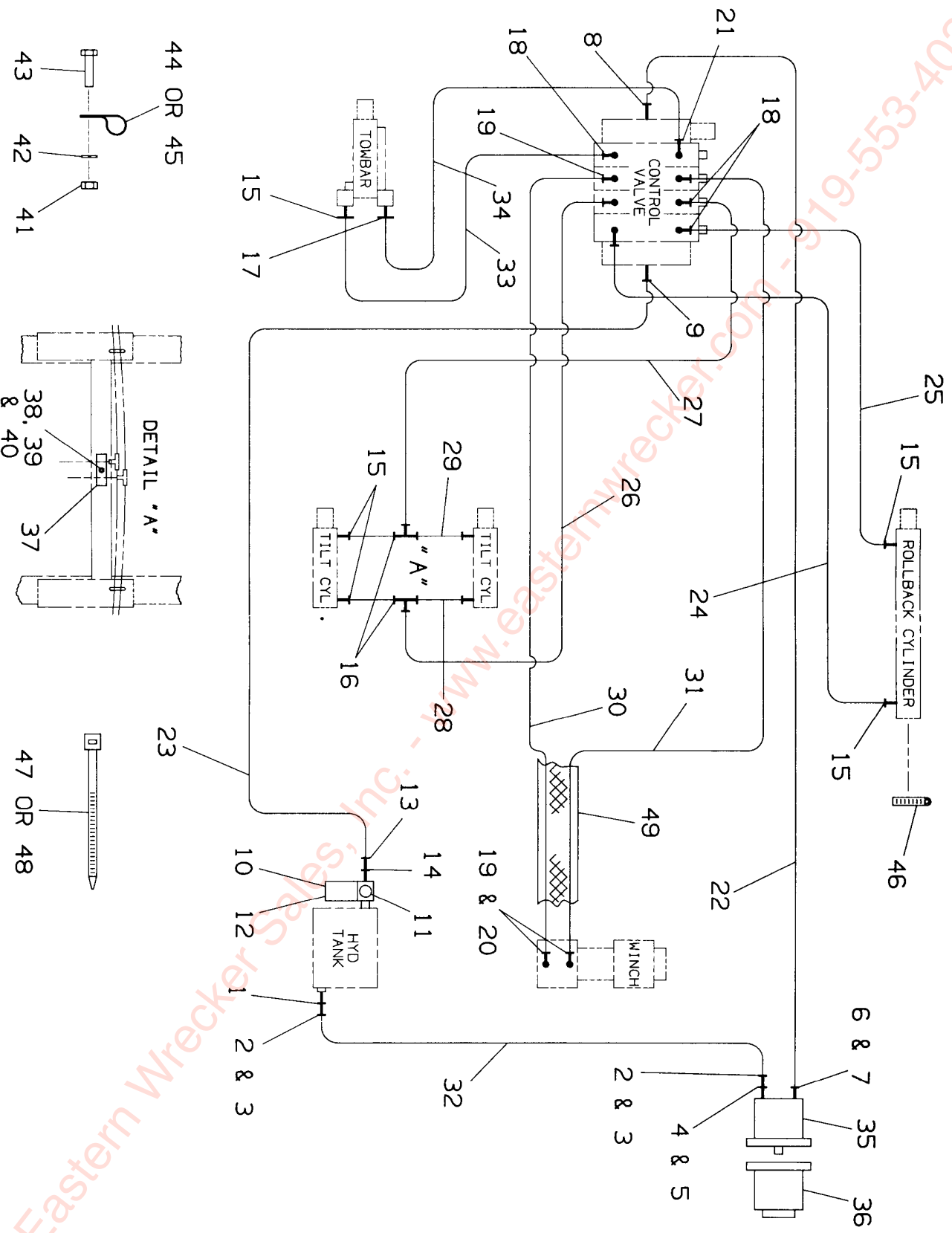
Rev. 1
Date 11-9-87

HYDRAULIC TOWBAR



Rev. 1
Date 11-9-87

HYDRAULIC COMPONENTS



4.7

Rev. 1
Date 11-10-87

Eastern Wrecker Sales - our website is www.easternwrecker.com - 800-455-6161 - 304-553-4038

PARTS LIST — HYDRAULIC COMPONENTS

Ref. No.	Part No.	Description	Qty.
1	7-444-101090	Street Elbow	1
2	A7-443-000013	Nipple	2
3	A7-274-000002	Hose Clamp	2
4	7-444-081040	Reducer	1
5	7-650-080120	Nipple	1
6	7-444-080450	Reducer	1
7	7-445-080829	45° Elbow	1
8	7-445-081243	Str. Adapter	1
9	7-445-121243	Str. Adapter	1
10	A7-430-000003	Filter Ass'y.	1
11	A7-470-000002	Gauge	1
12	A7-431-000001	Filter Element	1
13	7-445-121220	90° Elbow	1
14	7-444-080654	Reducer	1
15	7-445-060620	90° Elbow	7
16	7-445-060637	Tee	2
17	7-445-060619	Str. Adapter	1
18	7-445-061043	Str. Adapter	6
19	7-445-081043	Str. Adapter	4
20	A7-443-000055	90° Tube Elbow	2
21	A7-443-000029	Plug	2
22	Length as req'd.	Pressure Hose	1
23	Length as req'd.	Return Hose	1
24	4-567-122096	Roll-Base Hose	1
25	4-567-123060	Roll-Rod Hose	1
26	4-567-122144	Tilt Supply	1
27	4-567-123144	Tilt Supply	1
28	4-567-120038	Tilt Base	2
29	4-567-120040	Tilt Rod	2
30	Length as req'd.	Winch Hose	1
31	Length as req'd.	Winch Hose	1
32	A4-570-000014	Suction Hose	1
33	4-567-122054	Towbar Hose	1
34	4-567-123054	Towbar Hose	1
35	A7-724-000002	Hyd. Pump	1
36	As required	P.T.O.	1
37	B4-274-000001	Hose Clamp	1
38	7-111-161050	Hex Head Bolt	1
39	7-660-160000	Hex Nut	1
40	7-950-160000	Lockwasher	1
41	7-660-140000	Hex Nut	15
42	7-950-140000	Lockwasher	15
43	7-111-140850	Hex Head Bolt	15
44	A7-274-000008	Small Loop Clamp	10
45	A7-274-000003	Large Loop Clamp	5
46	A7-274-000011	Hose Clamp	3
47	A7-894-000003	Long Tie Strap	15
48	A7-894-000004	Short Tie Strap	15
49	A4-570-000022	Fire Hose	1

www.easterwrecker.com - 919-553-4038

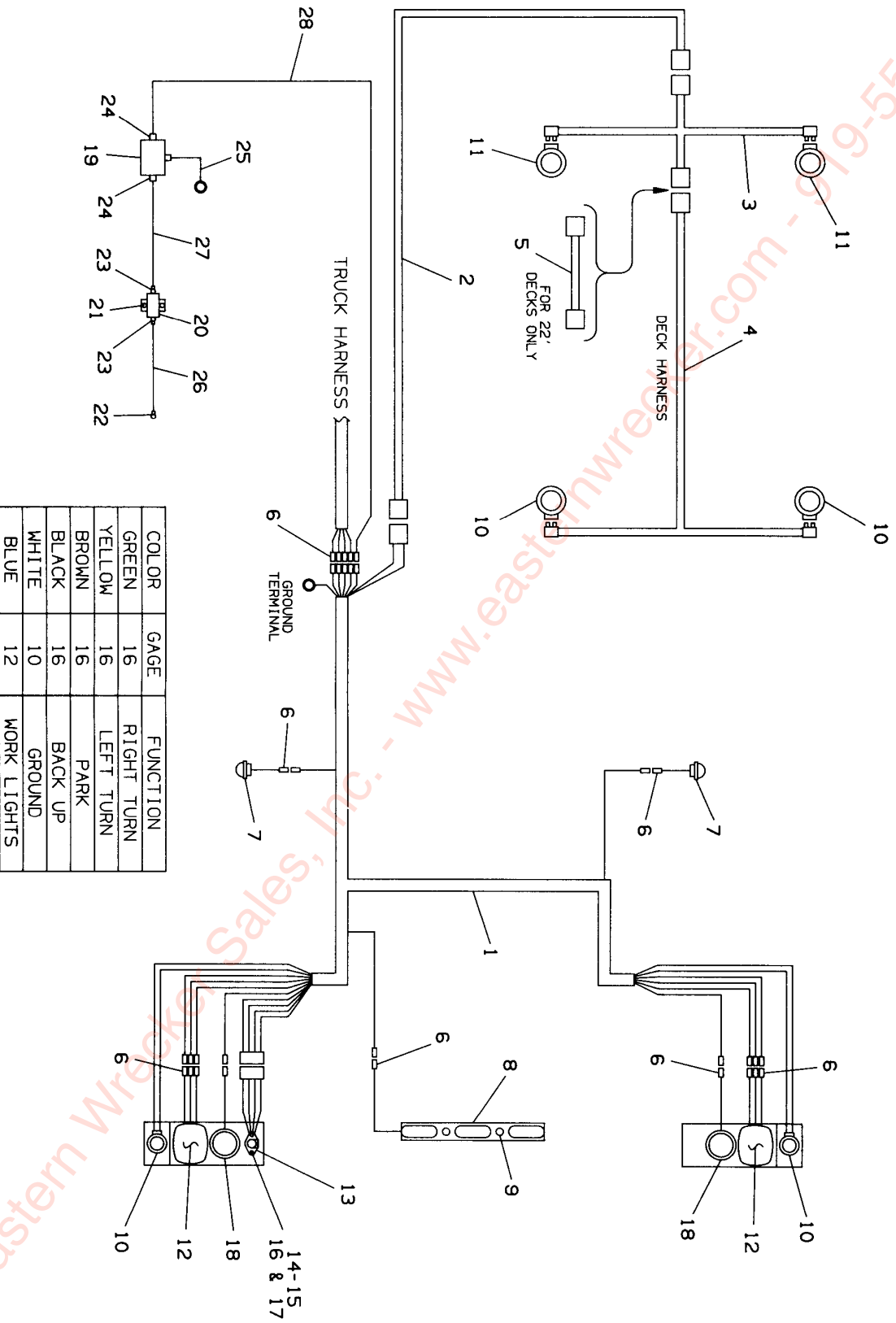
Eastern Wrecker Sales

PARTS LIST — LIGHTS AND WIRING

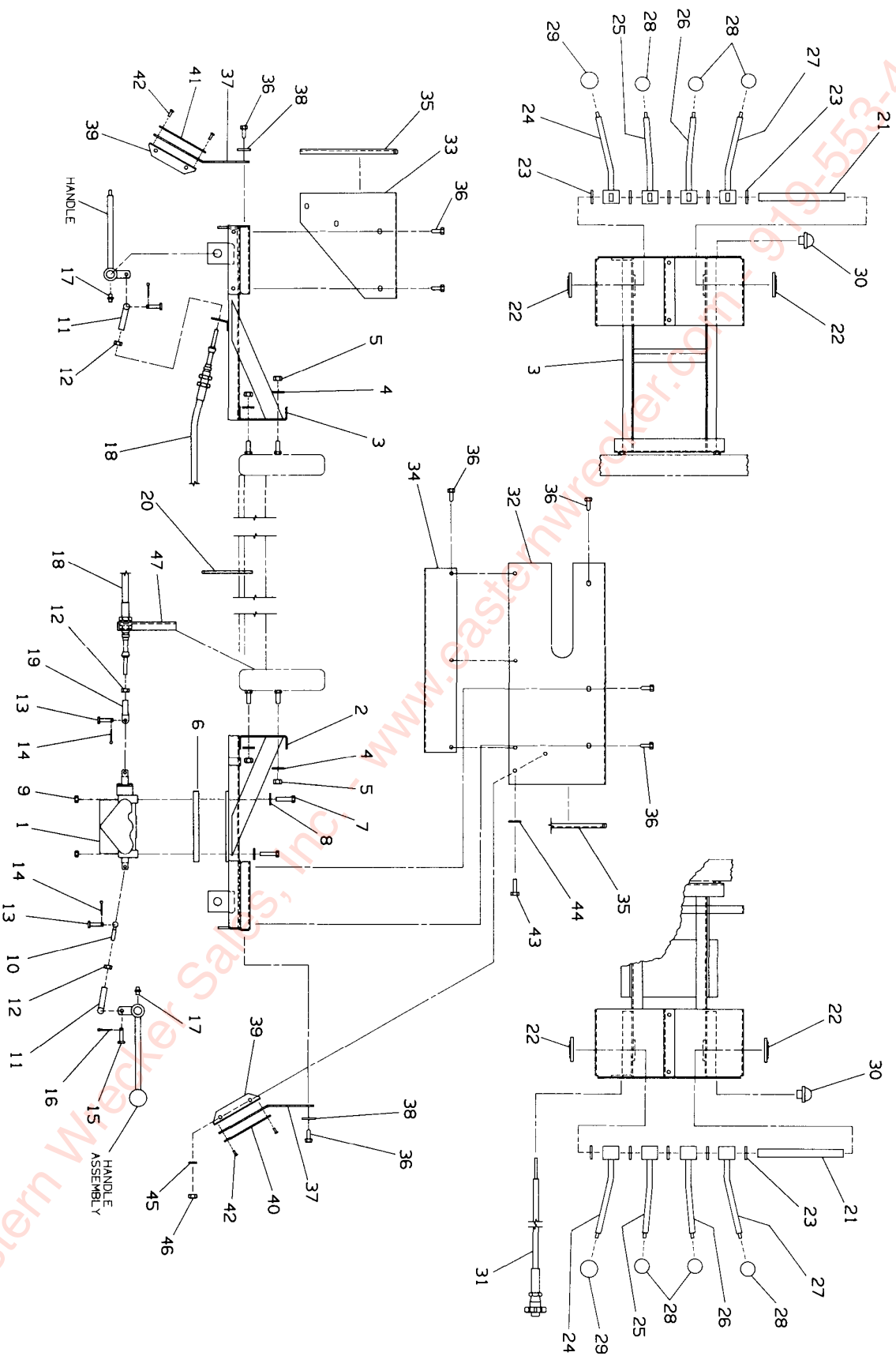
Ref. No.	Part No.	Description	Qty.
1	D7-552-000020	Wiring Harness-Subframe	1
2	B7-552-000024	Wiring Harness-Sub to Deck	1
3	B7-552-000021	Wiring Harness-Front Deck	1
4	B7-552-000022	Wiring Harness-Rear Deck	1
5	B7-552-000023	Wiring Harness-Extension (For 22' Decks Only)	1
6	7-345-001703	Terminal Pin	16
7	A7-590-000012	Light	2
8	A7-590-000007	Bar Lamp	1
9	7-790-141056	Self Tapping Screw	2
10	7-590-000009	Red Light	4
11	7-590-000010	Amber Light	2
12		Stop-Tail-Turn Light	2
13	A7-291-000003	Female Receptacle	1
14	7-111-140613	Truss Head Screw	2
15	7-660-140000	Nut	2
16	7-950-140000	Lockwasher	2
17	7-950-140161	Flatwasher	2
18	A7-590-000011	Work Lights	2
19	A7-870-000003	Auxiliary Switch	1
20	A7-457-000004	Circuit Breaker	1
21	7-790-100856	Screw	2
22	7-345-231901	Terminal	1
23	7-345-211901	Terminal	2
24	7-345-001909	Female Tab	2
25	A3-978-000006	Wire Assembly	1
26	Length as Req'd.	10 Ga. Wire	1
27	Length as Req'd.	10 Ga. Wire	1
28	Length as Req'd.	10 Ga. Wire	1

Eastern Wrecker Sales, Inc. - www.easternwrecker.com - 919-553-4038

LIGHTS AND WIRING



DUAL CONTROLS



PARTS LIST — DUAL CONTROLS

Ref. No.	Part No.	Description	Qty.
1	A7-935-000015	Control Valve	1
2	D3-177-000004	Support Weldment	1
3	D3-177-000002	Support Weldment	1
4	7-950-160000	Lockwasher	4
5	7-660-160000	Hex Nut	4
6	A4-706-000430	Spacer Plate	2
7	7-111-162450	Bolt	3
8	7-950-160141	Flatwasher	3
9	7-660-161605	Nylok Nut	3
10	A7-765-000003	Rod End	4
11	A7-277-000001	Clevis	8
12	7-660-150230	Jam Nut	12
13	7-690-141200	Clevis Pin	8
14	7-690-000810	Cotter Pin	8
15	7-690-151600	Clevis Pin	8
16	7-690-051610	Cotter Pin	8
17	7-440-030000	Grease Fitting	8
18	A7-248-000010	Push-Pull Cable	4
19	A7-765-000004	Terminal Eye	4
20	A4-178-000056	Bracket	1
21	A4-691-000021	Pin	2
22	A7-754-000009	Retaining Ring	4
23	7-950-220141	Flatwasher	10
24	C3-551-000001	Handle Weldment	2
25	C3-551-000003	Handle Weldment	2
26	C3-551-000004	Handle Weldment	2
27	C3-551-000002	Handle Weldment	2
28	A7-551-000002	Knob	6
29	A7-551-000003	Knob	2
30	A7-590-000012	Light	2
31	A7-295-000002	Throttle Cable	1
32	C4-706-000354	Control Panel Hood	1
33	C4-560-000002	Control Panel Hood	1
34	C4-706-000355	Splash Guard	1
35	7-632-044031	Moulding	2
36	7-790-141056	Self Tapping Screw	24
37	C4-314-000006	Cover Plate	2
38	A4-706-000161	Plate	2
39	A4-017-000056	Angle	4
40	B7-686-000005	Control Panel-L.H.	1
41	B7-686-000004	Control Panel-R.H.	1
42	A7-759-000004	Rivet	8
43	7-111-140613	Truss Head Bolt	8
44	7-950-140161	Flatwasher	8
45	7-950-140000	Lockwasher	8
46	7-660-140000	Nut	8
47	A4-178-000054	Bracket	1

4.12

Rev. _____

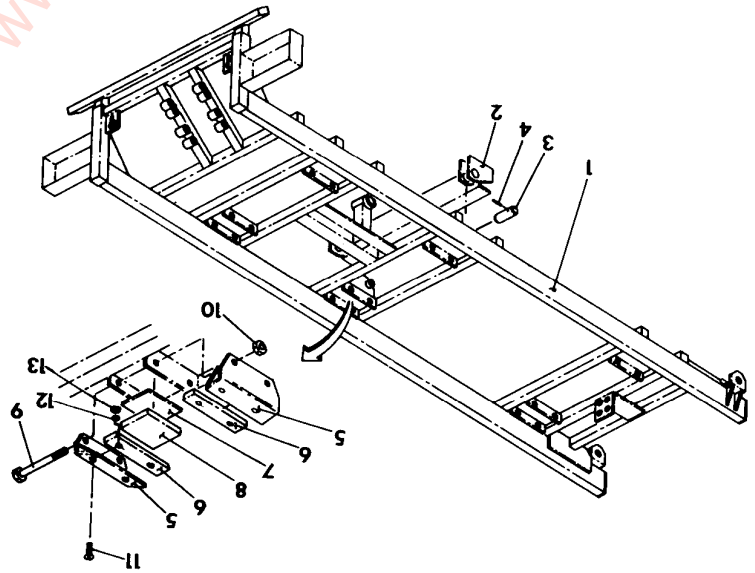
Date _____

Eastern Wrecker Sales, Inc. www.easterwrecker.com - 919-553-4038

Eastern Wrecker Sales, Inc. - www.easternwrecker.com - 919-553-4038

Rev. 1
Date 11-12-87

4.13



SUBFRAME

PARTS LIST — SUBFRAME

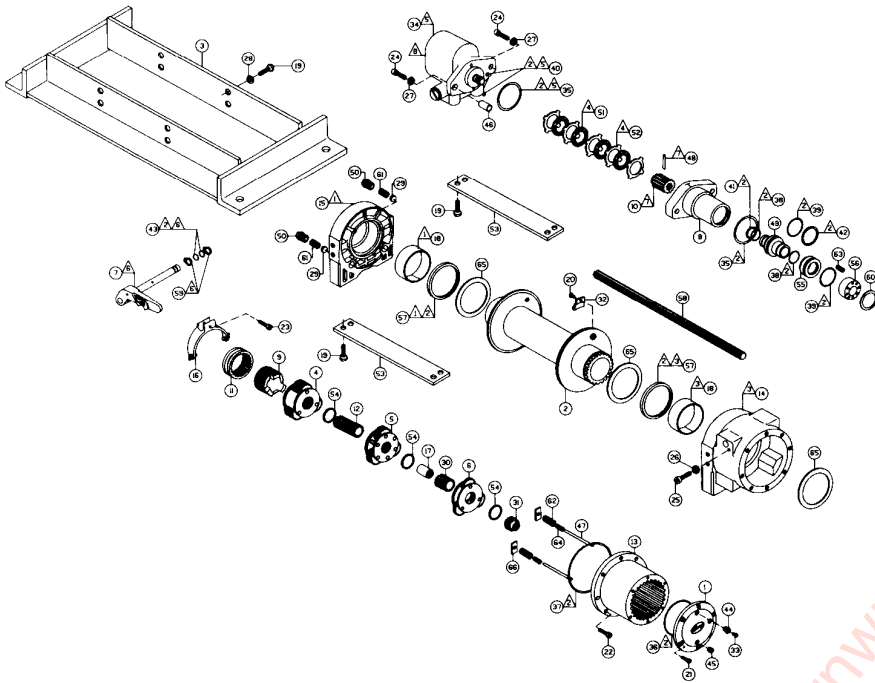
Ref. No.	Part No.	Description	Qty.
1	D3-533-700005 D3-533-700004	Subframe (Std.) Subframe (W/Wheel Lift Towbar)	1 1
2	C3-905-000001	Trunnion	1
3	A4-691-000020	Hinge Pin	2
4	7-690-164040	Roll Pin	2
5	B4-534-0-00169	Nylatron Holder	12
6	A4-679-000011	Wear Pad	12
7	A4-534-0-00176	Nylatron Spacer	6
8	A4-534-0-00171	Nylatron Pad	6
9	7-115-185250	Hex Head Bolt	12
10	7-660-181600	Hex Lock Nut	12
11	7-111-161207	Flat Head Screw	24
12	7-950-160000	Lockwasher	24
13	7-660-160000	Hex Nut	24

4.14

Rev. 1
Date 11-12-87

Eastern Wrecker Sales, Inc. - www.easternwrecker.com - 919-553-4038

WINCH ASSEMBLY



PARTS LIST — WINCH ASSEMBLY

Ref. No.	Part No.	Description	Qty.
1	228067	Cover Assembly	1
2	234139	Drum-Cable, Short	1
3	242150	Frame Assembly	1
4	247010	Assembly-Output Carrier	1
5	247012	Assembly-Intermediate Carrier	1
6	247014	Assembly-Input Carrier	1
7	276045	Handle/Shaft Assembly R.H.	1
8	306041	Cylinder-Brake	1
9	324271	Coupling-Clutch	1
10	324272	Coupling-Motor	1
11	324323	Ring-Locking	1
12	334159	Gear-Sun, Output	1
13	334160	Gear-Ring	1
14	338264	End Bearing-Gear Housing	1
15	338265	End Bearing-Motor	1

Rev. _____

Date _____

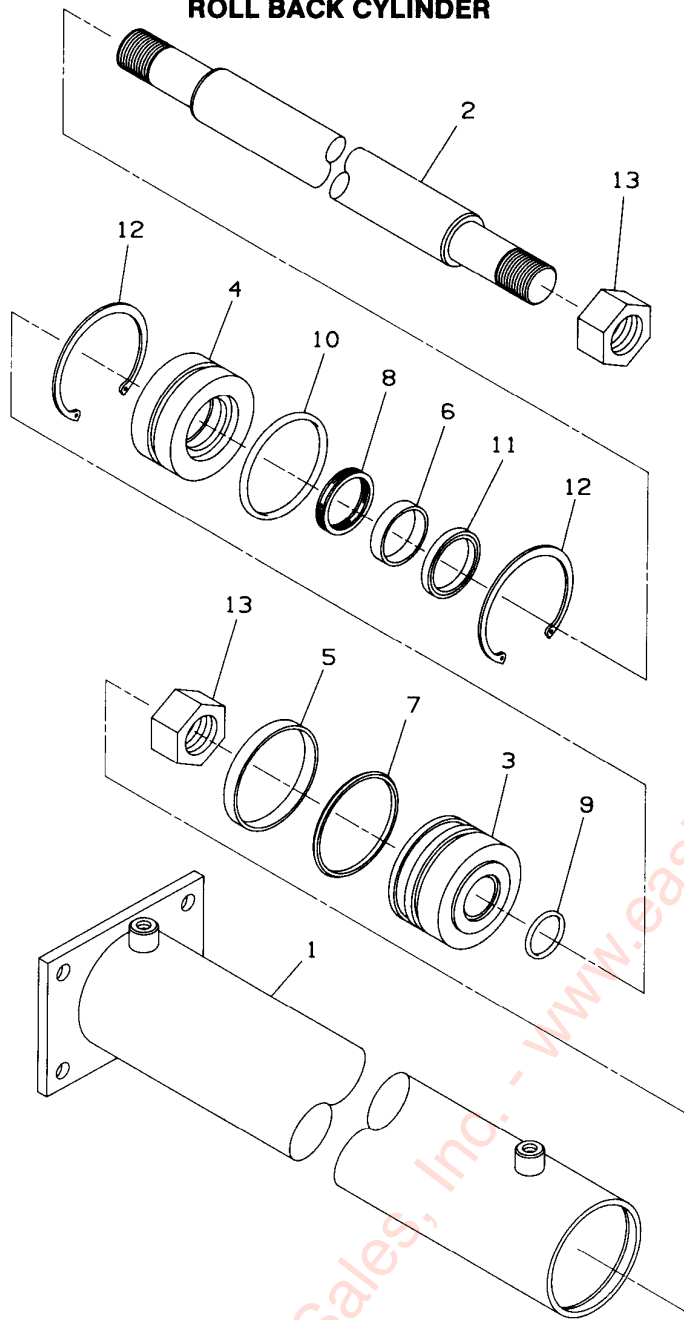
4.15

Eastern Wrecker Sales, Inc. www.easternwrecker.com - 919-553-4038

16	370053	Yoke	1
17	412073	Bushing-Input Shaft	1
18	412074	Bushing-Drum	2
19	414620	Capscrew ½-13NCx1 Lg. Hx. Hd. Gr.5 Lok-Wel	16
20	414819	Capscrew ¼-20NCx¾ Lg. Flat Hd. Lok-Wel	1
21	414848	Capscrew ¼-20NCx1 Lg. Soc. Hd. Lok-Wel	6
22	414869	Capscrew 5/16-18NCx1 Lg. Soc. Hd. Lok-Wel	8
23	414871	Capscrew 5/16-18NCx1¼ Lg. Soc. Hd. Lok-Wel	1
24	414929	Capscrew ¾-16NCx2¼ Lg. Soc. Hd. Lok-Wel	2
25	414930	Capscrew ¾-16NCx2¼ Lg. Soc. Hd.	1
26	418036	Nut ¾-16NC Jam	1
27	418177	Lockwasher ¾ Med. Sect. C.P.	2
28	418217	Lockwasher ½ Med. Sect.	8
29	438014	Disc-Drag Brake	2
30	444062	Gear-Sun, Intermediate	1
31	444063	Gear-Sun, Input	1
32	448048	Anchor-Cable	1
33	456008	Breather	1
34	458054	Motor-Hydraulic "A" Port Raise Inlet	1
35	462028	O-Ring .06 Wd. x 3.38 O.D. x 3.25 I.D.	2
36	462030	Seal Ring	1
37	462031	O-Ring .09 Wd. x 6.94 O.D. x 6.75 I.D.	1
38	462032	O-Ring .09 Wd. x 1.50 O.D. x 1.31 I.D.	2
39	462033	O-Ring .09 Wd. x 2.12 O.D. x 1.94 I.D.	2
40	462034	O-Ring .06 Wd. x .31 O.D. x .19 I.D.	2
41	462035	Ring-Backup 1.31 I.D.	1
42	462036	Ring-Backup 1.94 I.D.	1
43	462037	O-Ring .06 Wd. x .62 O.D. x .50 I.D.	2
44	468002	Reducer	1
45	468018	Plug ¾-18NPT Soc. Hd.	2
46	470067	Pin-Spring ½ O.D. x 1 Lg.	1
47	470068	Pin-Clutch Spring	2
48	470069	Pin-Spring ½ O.D. x ¾ Lg.	1
49	471001	Piston-Brake	1
50	472018	Plug-Drag Brake	2
51	474063	Disc-Separator	5
52	474064	Disc-Friction	4
53	474065	Tieplate-Short Drum	2
54	477005	Ring-Thrust	3
55	477008	Ring-Backup	1
56	479010	Retainer-Spring	1
57	486075	Lipseal	2
58	489009	Shaft-Input, Short Drum	1
59	490001	Ring-Snap, External ¾ I.D.	2
60	490032	Ring-Snap, Internal 2-15/16 O.D.	1
61	494002	Spring-Drag Brake	2
62	494082	Spring-Clutch	2
63	494084	Spring-Brake	8
64	494086	Spring-Clutch	2
65	518029	Washer-Drum	3
66	518031	Washer-Yoke Spring	2

Eastern Wrecker Sales, Inc. - www.easternwrecker.com - 919-553-4038

ROLL BACK CYLINDER



4.17

Rev. 1
Date 11-9-87

Eastern Wrecker Sales, Inc. - www.easternwrecker.com - 919-553-4038

PARTS LIST — ROLLBACK CYLINDER

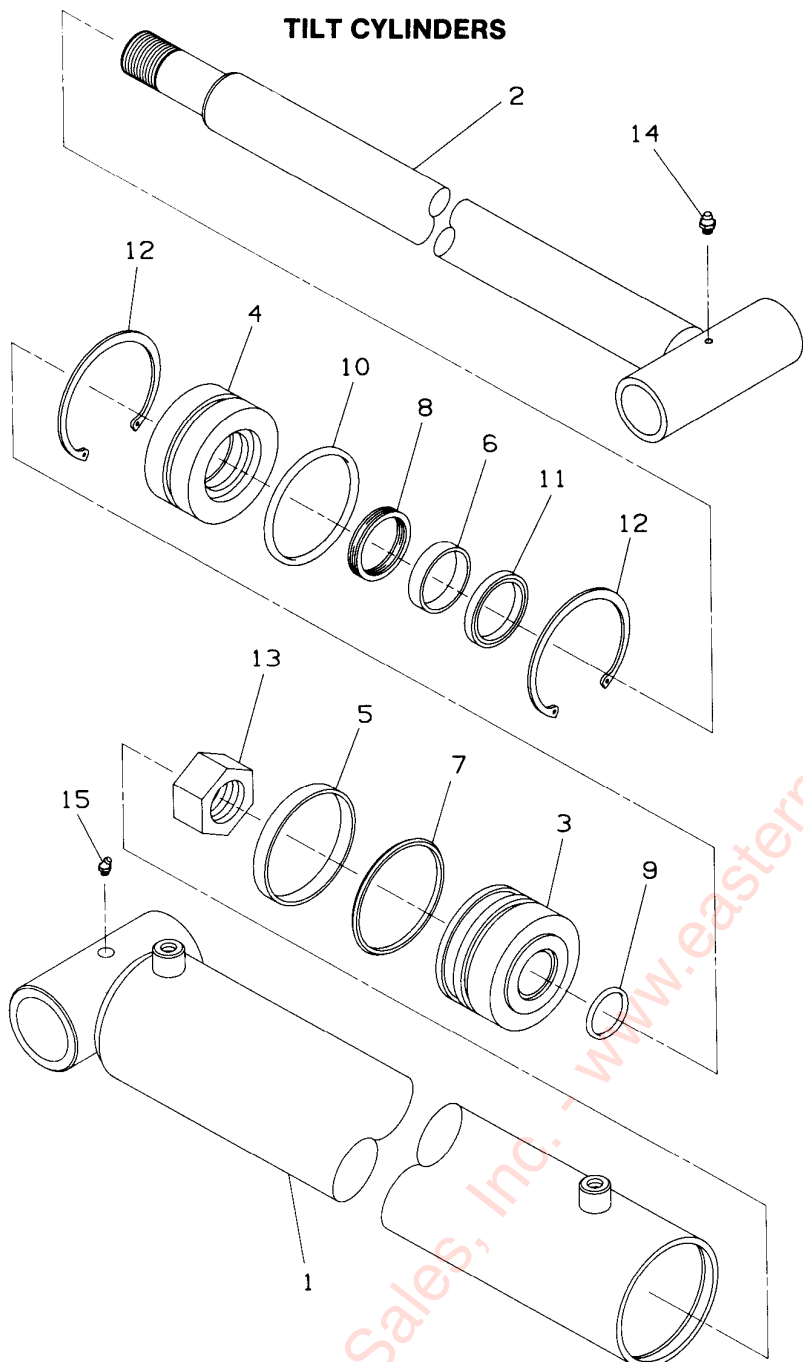
Ref. No.	Part No.	Description	Qty.
1	C3-071-000015	Barrel	1
2	B4-700-200039	Rod	1
3	B4-698-000004	Piston	1
4	B4-553-000005	Head	1
5	A7-796-000013	Ring, Wear	1
6	A7-754-000012	Ring, Wear	1
7	A7-796-000014	Seal, Piston 'T'	1
8	A7-796-000010	Seal, Rod	1
9	7-755-222000	"O" Ring	1
10	7-755-338000	"O" Ring	1
11	A7-796-000011	Seal, Rod Wiper	1
12	A7-754-000016	Ring, Retaining	2
13	7-660-341662	Nut, Lock	2

Eastern Wrecker Sales, Inc. - www.easternwrecker.com - 919-553-4038

4.18

Rev. 1
Date 11-9-87

TILT CYLINDERS



4.19

Rev. 1
Date 11-9-87

Eastern Wrecker Sales, Inc. - www.easternwrecker.com - 919-553-4038

PARTS LIST — TILT CYLINDER

C1-700-1-00024

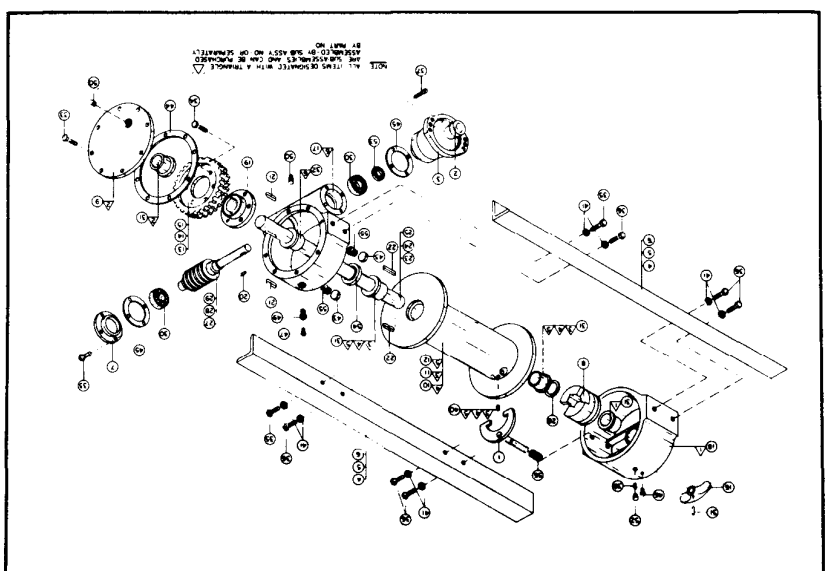
Ref. No.	Part No.	Description	Qty.
1	C2-700-2-00033	Barrel	1
2	B2-700-2-00034	Rod	1
3	B4-698-000002	Piston	1
4	B4-533-000003	Head	1
5	A7-754-000003	Ring, Wear	1
6	A7-754-000004	Ring, Wear	1
7	A7-796-000006	Seal, Piston 'T'	1
8	A7-796-000002	Seal, Rod	1
9	7-755-214000	"O" Ring	1
10	7-755-334000	"O" Ring	1
11	A7-796-000008	Seal, Rod Wiper	1
12	A7-754-000002	Ring, Retaining	2
13	7-660-261632	Nut, Lock	1
14	7-440-000000	Fitting, Grease	1
15	7-440-000200	Fitting, Grease-45°	1

Eastern Wrecker Sales, Inc. - www.easternwrecker.com - 919-553-4038

4.20

Rev. 1
Date 11-9-87

Eastern Wrecker Sales, Inc. - www.easternwrecker.com - 616-555-6163



MATERIAL LISTING

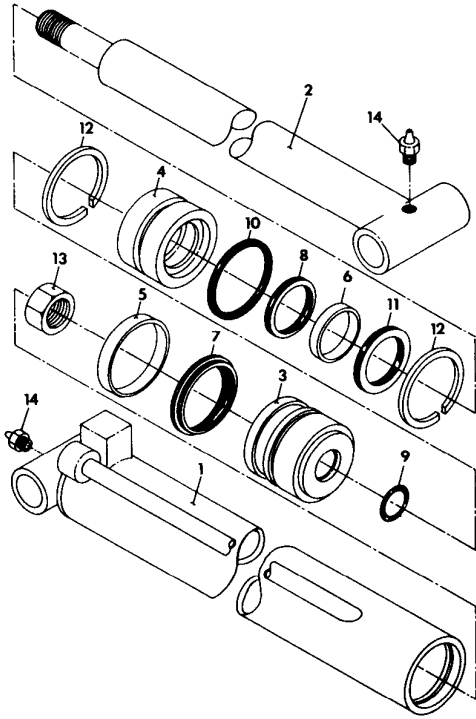
ITEM NO	QTY	DESCRIPTION	ITEM NO	QTY	DESCRIPTION
27	1	388002 Worm 48 1 Ratio	41	8	418177 Lockwasher 3/8 Med Section
28	1	388007 Worm 65 1 Ratio	42	2	438001 Drag Brake
29	1	388011 Worm 30 1 Ratio	43	2	438001 Drag Brake
30	2	402002 Ball Bearing	44	1	442001 Gasket
31	31	412003 Bushing	45	2	442002 Gasket
32	1	412007 Bushing	46	1	456001 Lub Fitting
33	33	414049 Bushing	47	1	456008 Retief Fitting
34	34	414110 Capcrew 3/4 Hx Hd	48	1	458002 Reducer
35	2	414309 Capcrew 3/8 16NC	49	1	458011 Pop Plug
36	6	414310 Capcrew 3/8 16NC	50	2	470033 Sprf Plug
37	4	414842 Capcrew 1/4 Hx Hd	51	1	472012 Plug-Rubber
38	1	416030 Capcrew 1/2 20NC	52	1	486009 Oil Seal
39	1	416057 Less-Full Dog Point	53	1	486017 Oil Seal
40	1	416057 Less-Full Dog Point	54	2	494053 Spring
41	1	416057 Less-Full Dog Point	55	1	494053 Spring
42	1	416057 Less-Full Dog Point	56	1	494053 Spring
43	1	416057 Less-Full Dog Point	57	1	494053 Spring
44	1	416057 Less-Full Dog Point	58	1	494053 Spring
45	1	416057 Less-Full Dog Point	59	1	494053 Spring
46	1	416057 Less-Full Dog Point	60	1	494053 Spring
47	1	416057 Less-Full Dog Point	61	1	494053 Spring
48	1	416057 Less-Full Dog Point	62	1	494053 Spring
49	1	416057 Less-Full Dog Point	63	1	494053 Spring
50	1	416057 Less-Full Dog Point	64	1	494053 Spring
51	1	416057 Less-Full Dog Point	65	1	494053 Spring
52	1	416057 Less-Full Dog Point	66	1	494053 Spring
53	1	416057 Less-Full Dog Point	67	1	494053 Spring
54	1	416057 Less-Full Dog Point	68	1	494053 Spring
55	1	416057 Less-Full Dog Point	69	1	494053 Spring
56	1	416057 Less-Full Dog Point	70	1	494053 Spring
57	1	416057 Less-Full Dog Point	71	1	494053 Spring
58	1	416057 Less-Full Dog Point	72	1	494053 Spring
59	1	416057 Less-Full Dog Point	73	1	494053 Spring
60	1	416057 Less-Full Dog Point	74	1	494053 Spring
61	1	416057 Less-Full Dog Point	75	1	494053 Spring
62	1	416057 Less-Full Dog Point	76	1	494053 Spring
63	1	416057 Less-Full Dog Point	77	1	494053 Spring
64	1	416057 Less-Full Dog Point	78	1	494053 Spring
65	1	416057 Less-Full Dog Point	79	1	494053 Spring
66	1	416057 Less-Full Dog Point	80	1	494053 Spring
67	1	416057 Less-Full Dog Point	81	1	494053 Spring
68	1	416057 Less-Full Dog Point	82	1	494053 Spring
69	1	416057 Less-Full Dog Point	83	1	494053 Spring
70	1	416057 Less-Full Dog Point	84	1	494053 Spring
71	1	416057 Less-Full Dog Point	85	1	494053 Spring
72	1	416057 Less-Full Dog Point	86	1	494053 Spring
73	1	416057 Less-Full Dog Point	87	1	494053 Spring
74	1	416057 Less-Full Dog Point	88	1	494053 Spring
75	1	416057 Less-Full Dog Point	89	1	494053 Spring
76	1	416057 Less-Full Dog Point	90	1	494053 Spring
77	1	416057 Less-Full Dog Point	91	1	494053 Spring
78	1	416057 Less-Full Dog Point	92	1	494053 Spring
79	1	416057 Less-Full Dog Point	93	1	494053 Spring
80	1	416057 Less-Full Dog Point	94	1	494053 Spring
81	1	416057 Less-Full Dog Point	95	1	494053 Spring
82	1	416057 Less-Full Dog Point	96	1	494053 Spring
83	1	416057 Less-Full Dog Point	97	1	494053 Spring
84	1	416057 Less-Full Dog Point	98	1	494053 Spring
85	1	416057 Less-Full Dog Point	99	1	494053 Spring
86	1	416057 Less-Full Dog Point	100	1	494053 Spring

SUB ASSEMBLY LISTING

ITEM NO	QTY	DESCRIPTION	ITEM NO	QTY	DESCRIPTION
222038	1	Clutch Assy. (T.V.)	234080	1	Drum Assy. (T.V.)
228086	1	Cover Assy. (G.H.)	258006	1	Cover Hsg Assy.
234004	1	Drum Assy. (Std.)			
234019	1	Drum Assy. (T.B.)			

Rev. _____
Date _____

TOWBAR CYLINDER



PARTS LIST — TOWBAR CYLINDER C3-320-000006

Ref. No.	Part No.	Description	Qty.
1	C3-071-00000-6	Barrel	1
2	B3-763-000003	Rod	1
3	B4-698-000002	Piston	1
4	B4-553-000003	Head	1
5	A7-754-000003	Ring, Wear	1
6	A7-754-000004	Ring, Wear	1
7	A7-796-000006	Seal, Piston 'T'	1
8	A7-796-000007	Seal, Rod	1
9	7-755-214000	"O" Ring	1
10	7-755-334000	"O" Ring	1
11	A7-796-000008	Seal, Rod Wiper	1
12	A7-754-000002	Ring, Retaining	2
13	7-660-261632	Nut, Lock	1
14	7-440-000000	Fitting, Grease	2

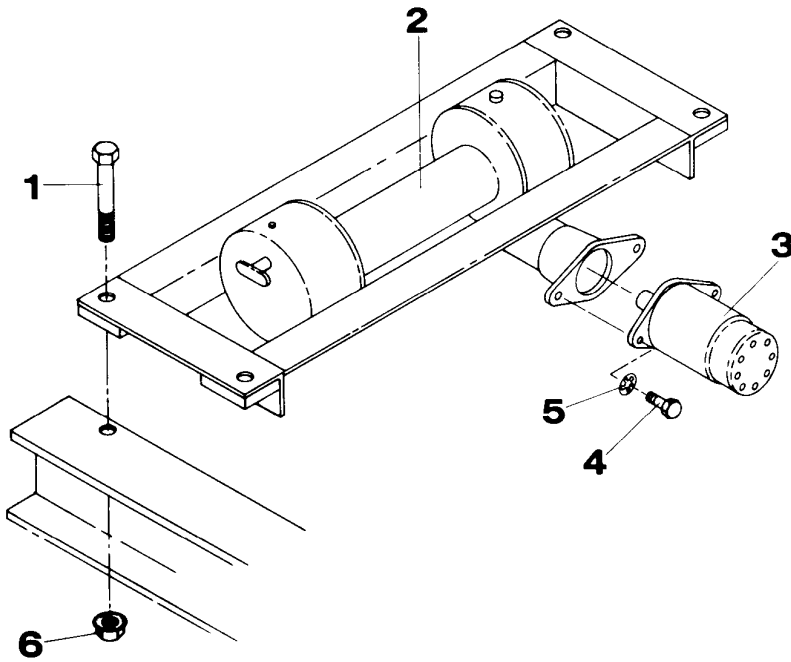
4.22

Rev. 1
Date 11-9-87

www.easternwrecker.com - 919-553-4038

Eastern Wrecker Sales

WINCH ASSEMBLY



PARTS LIST - WINCH ASSEMBLY

Ref. No.	Part No.	Description	Qty.
1	7-115-181450	Hex Cap Screw	4
2	A7-970-000008	Winch Assembly	1
3	A7-626-000003	Orbit Motor	1
4	7-111-181050	Hex Cap Screw	2
5	7-950-180450	Lockwasher	2
6	7-660-182301	Flanged Locknut	4

Rev. 2

Date 4-1-87

4.23

Eastern Wrecker Sales, Inc. - www.easternwrecker.com - 919-553-4038

PARTS LIST
HYD. WHEELIFT TOWBAR INSTALLATION

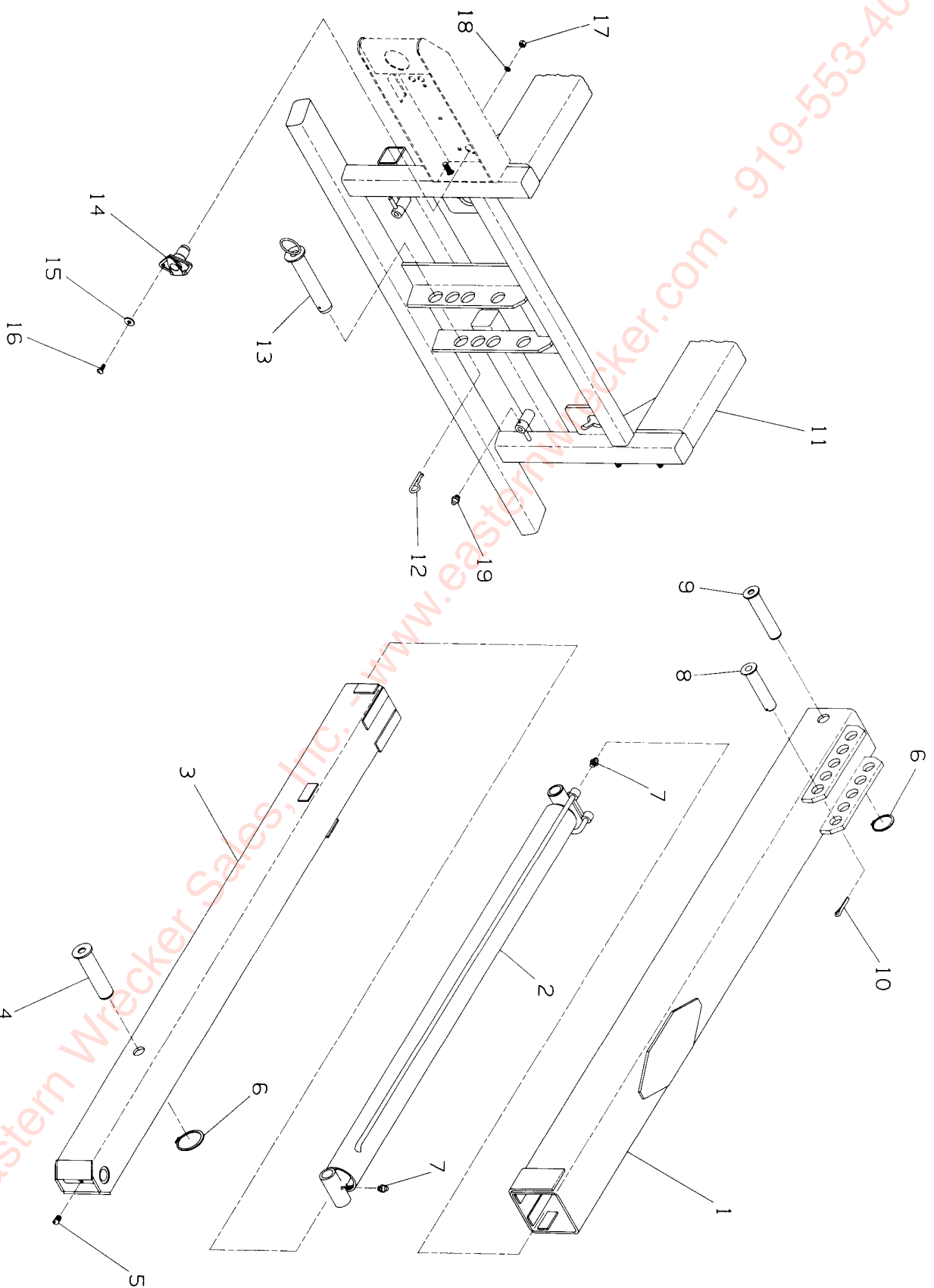
REF.NO.	PART NO.	DESCRIPTION	QTY.
1	D3-170-000017	OUTER TUBE WELDMENT	1
2	C3-320-000021	CYLINDER ASSEMBLY	1
3	C3-170-000016	INNER TUBE WELDMENT	1
4	A3-691-000011	CYLINDER PIN	1
5	7-440-000200	GREASE FITTING	1
6	A7-754-000006	RETAINING RING	2
7	7-440-000000	GREASE FITTING	2
8	A3-691-000014	PIN	1
9	A3-691-000042	CYLINDER PIN	1
10	7-690-103210	COTTER PIN	1
11	D3-533-700004	SUBFRAME	1
12	A7-691-000001	HAIR PIN	2
13	A3-691-000012	PIN	2
14	A7-291-000003	FEMALE RECEPTACLE	1
15	7-950-140251	FLATWASHER	2
16	7-111-140613	TRUSS HEAD SCREW	2
17	7-660-140000	HEX NUT	2
18	7-950-140000	LOCKWASHER	2
19	7-440-030000	GREASE FITTING	2

4.24

Rev. _____
Date _____

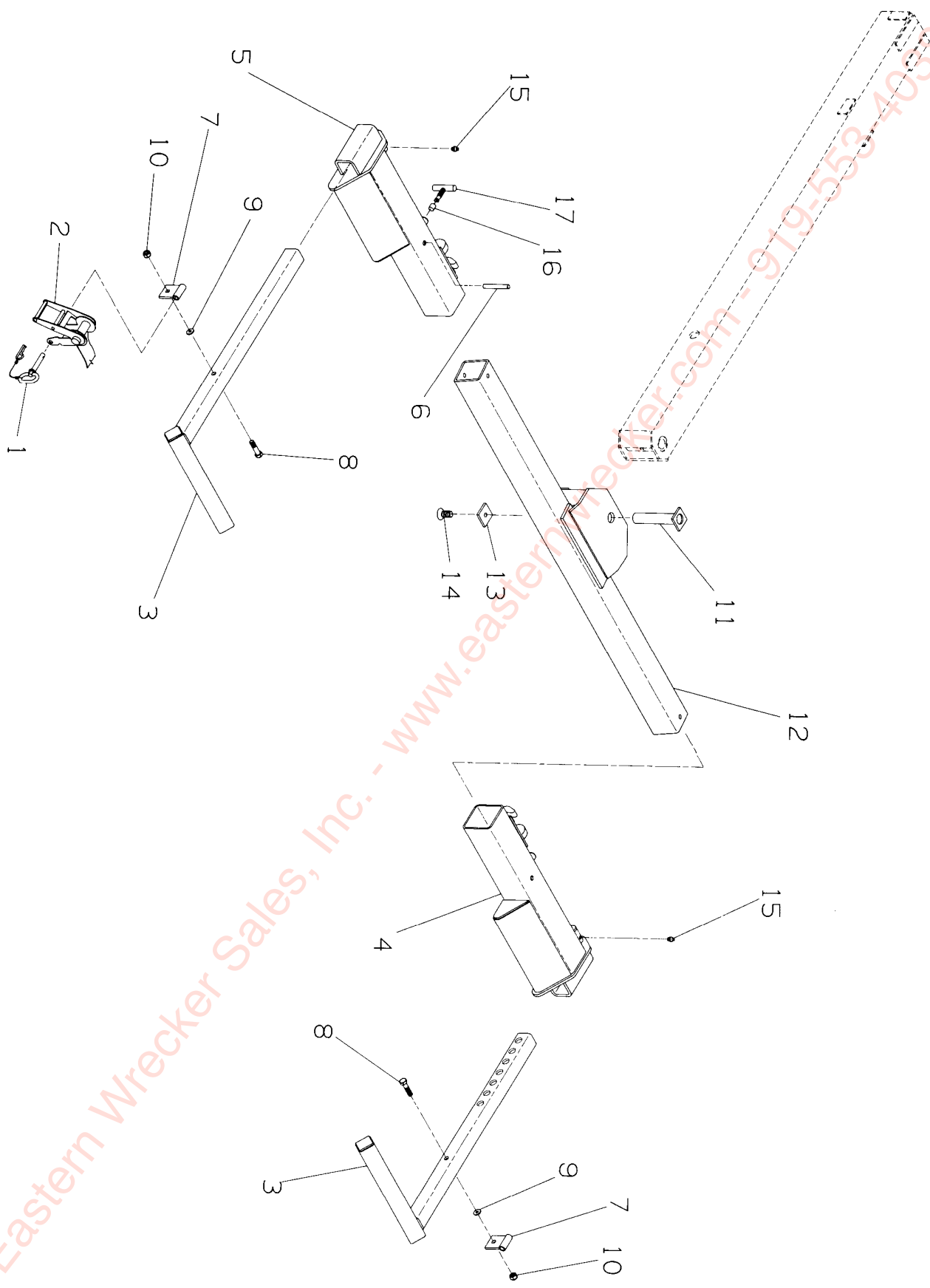
Eastern Wrecker Sales, Inc. - www.easternwrecker.com - 919-553-4038

HYD. WHEELIFT TOWBAR INSTALLATION



Eastern Wrecker Sales, LLC - www.easternwrecker.com - 919-553-4038

HYD. TOWBAR WHEELGRID ASSEMBLY



4.26

Rev. _____
Date _____

PARTS LIST
HYD. TOWBAR WHEEL GRID ASSEMBLY

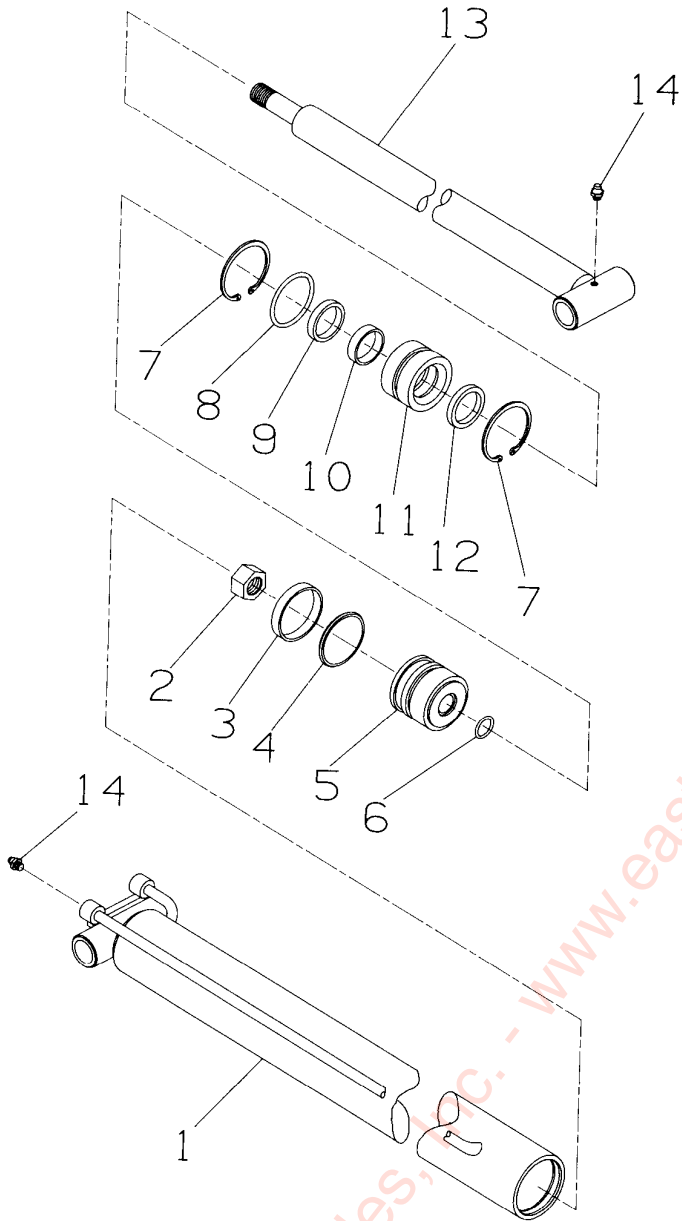
REF. NO.	PART NO.	DESCRIPTION	QTY.
1	A7-691-000011	HITCH PIN	2
2	A7-894-000002	TIE DOWN STRAP	2
3	C3-511-880049	L - ARM	2
4	C3-511-880046	GRID WELDMENT R.H.	1
5	C3-511-880047	GRID WELDMENT L.H.	1
6	A4-691-000060	PIN	2
7	A3-178-000001	ANCHOR BRACKET	2
8	7-105-182450	HEX CAP SCREW	2
9	7-950-180153	FLATWASHER	2
10	7-660-181630	HEX LOCKNUT	2
11	B3-691-000021	PIN	1
12	C3-500-880006	PIVOT TUBE WELDMENT	1
13	A4-949-000010	PLATE	1
14	7-118-180820	FLAT HEAD BOLT	1
15	7-440-030000	GREASE FITTING	2
16	A4-763-000045	PLASTIC ROD	2
17	A7-551-000005	T - HANDLE	2

4.27

Rev. _____
Date _____

Eastern Wrecker Sales, Inc. - www.easternwrecker.com - 919-553-4038

WHEELIFT TOWBAR CYLINDER



Rev. _____
Date _____

Eastern Wrecker Sales, Inc. - www.easternwrecker.com - 919-553-4038

4.28

PARTS LIST WHEELIFT TOWBAR CYLINDER

C3-320-000021

REF. NO.	PART NO.	DESCRIPTION	QTY.
1	C3-071-000021	BARREL	1
2	7-660-261630	LOCKNUT	1
3	* A7-754-000003	WEAR RING	1
4	* A7-796-000006	PISTON 'T' SEAL	1
5	B4-698-000002	PISTON	1
6	* 7-755-214000	'O' RING	1
7	A7-754-000002	RETAINING RING	2
8	* 7-755-334000	'O' RING	1
9	* 7-796-000018	ROD SEAL	1
10	* A7-754-000004	WEAR RING	1
11	B4-553-000003	HEAD	1
12	* A7-796-000008	ROD WIPER SEAL	1
13	* B3-763-000001	CYLINDER ROD	1
14	7-440-000000	GREASE FITTING	2

* - AVAILABLE ONLY IN SERVICE
KIT NO. 7-577-250024

4.29

Rev. _____
Date _____

Eastern Wrecker Sales, Inc. - www.easternwrecker.com - 919-553-4038