

HEAVY DUTY WRECKER BODY PARTS MANUAL

JERR-DAN[®]

An Oshkosh Corporation Company

13224 Fountainhead Plaza
Hagerstown, MD 21742
Phone (717) 597-7111
www.jerr-dan.com

5-376-000142
Rev 0 - August 01, 2010

© 2010 Jerr-Dan Corporation. All Rights Reserved.

This manual covers the following Jerr-Dan Models:

JD25 - 25 Ton Integrated

JD35 INT - 35 Ton Integrated

JD50 - 50 Ton Independent

JD30 - 30 Ton Integrated

JD35HDULIND - 35 Ton HDUL Independent

JD60 - 60 Ton Independent

JD35IND - 35 Ton Independent

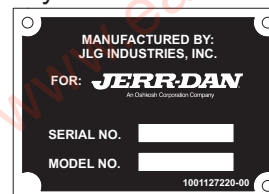
JD50INT - 50 Ton Integrated

Jerr-Dan Corporation strives to provide information that is accurate, complete and useful. Descriptions and illustrative material contained within this manual are as accurate as known at the time of publication and are subject to change, without notice, as a result of continuous product improvements. Jerr-Dan reserves the right to amend the information in this document at any time without prior notice.

Information contained in this manual reflects how this vehicle was built at the factory. Modifications or additions by the distributor or owner are not reflected in this manual.

This parts manual does not include service parts information for the commercial chassis (IHC, Ford, GM, etc.). That information is provided by the chassis manufacturer.

When ordering parts, please refer to your unit's Serial Number and Model Number. This information is be found on the aluminum tag riveted to the inside of the driver's side rear compartment of the main body.



Additional or replacement manuals can be ordered by calling Jerr-Dan Parts at 717-597-7111. Price and availability will be quoted at time of the request.

Please report comments and/or errors by contacting Jerr-Dan Corporation's Technical Publications Department by e-mail at technicalpublications@jerr-dan.com or by FAX on 717-485-7162.

Manufactured under one or more of the following patents: 5,575,606; 5,672,042; 5,697,741; 5,713,714; 5,722,810; 5,782,596; 5,839,775 and 6,315,515 B1with other Patents Pending.

Jerr-Dan and the Jerr-Dan logo are registered trademarks and Run Hard is a service mark of Jerr-Dan Corporation, Greencastle, PA USA.

The material in this document is confidential and the property of Jerr-Dan Corporation. No part of this document may be photocopied, reproduced or translated to another language without the express written consent of Jerr-Dan Corporation.

THIS PAGE INTENTIONALLY LEFT BLANK

Eastern Wrecker Sales, Inc. - www.easternwrecker.com - 919-553-4038

INDEX

DESCRIPTION	PAGE	DESCRIPTION	PAGE
Body Applications - 25 Ton and 30 Ton Single Axle with 112" CA Base	7	24" Stand-A-Lone Tool Compartment Panel Assembly - LH	90 - 91
Body Applications - 25 Ton and 30 Ton Single Axle with 86" CT Base	8	24" Stand-A-Lone Tool Compartment Panel Assembly - RH	92 - 93
Body Applications - 35 Ton Tandem Axle with 110" CT Base	9	24" Stand-A-Lone Tool Compartment Door and Hardware Assembly - LH	94 - 95
Body Applications - 35 Ton Tandem Axle with 146" CT Base	10	24" Stand-A-Lone Tool Compartment Door and Hardware Assembly - RH	96 - 97
Body Applications - 35 Ton Tri-Axle with 146" Tri Base	11	24" Stand-A-Lone Tool Compartment Fender Flare Assembly	98 - 99
Body Applications - 50 Ton and 60 Ton Tandem Axle with 170" CT Base	12	24" Stand-A-Lone Tool Compartment Spacer Mounting Assembly - LH	100 - 101
Body Applications - 50 Ton and 60 Ton Tri-Axle with 170" Tri Base	13	24" Stand-A-Lone Tool Compartment Spacer Mounting Assembly - RH	102 - 103
Body Installation - 112" CA/86" CT Base	14 - 15	24" Stand-A-Lone Tool Compartment Hanger Bracket Assembly - LH	104 - 105
Body Installation - 110" CT Base	16 - 17	24" Stand-A-Lone Tool Compartment Shelf Installation - RH	106 - 107
Body Installation - 146" CT Base	18 - 19	24" 3/4 Height Stand-A-Lone Tool Compartment Installation	108 - 109
Body Installation - 174" CT Base	20 - 21	24" 3/4 Height Stand-A-Lone Tool Compartment Panel Assembly - LH	110 - 111
Body Panel Assembly - 112" CA Base	22 - 23	24" 3/4 Height Stand-A-Lone Tool Compartment Panel Assembly - RH	112 - 113
Body Panel Assembly - 86" CT Base	24 - 25	24" 3/4 Height Stand-A-Lone Tool Compartment Door and Hardware Assembly - LH	114 - 115
Body Panel Assembly - 146" CT Tandem Base	26 - 27	24" 3/4 Height Stand-A-Lone Tool Compartment Door and Hardware Assembly - RH	116 - 117
Body Panel Assembly - 146" CT Tri-Axle Base	28 - 29	24" 3/4 Height Stand-A-Lone Tool Compartment Spacer Mounting Assembly - LH	118 - 119
Door and Hardware Assembly - 112" CA/86" CT Base	30 - 31	24" 3/4 Height Stand-A-Lone Tool Compartment Spacer Mounting Assembly - RH	120 - 121
Door and Hardware Assembly - 146" CT Base	32 - 33	24" 3/4 Height Stand-A-Lone Tool Compartment Hanger Bracket Assembly - LH	122 - 123
Fender Flare Assembly - 112" CA Base	34 - 35	24" 3/4 Height Stand-A-Lone Tool Compartment Hanger Bracket Assembly - RH	124 - 125
Fender Flare Assembly - 86" CT Base	36 - 37	49" Stand-A-Lone Tool Compartment Installation	126 - 127
Fender Flare Assembly - 136" CA Base	38 - 39	49" Stand-A-Lone Tool Compartment Panel Assembly - LH	128 - 129
Fender Flare Assembly - 110" CT Base	40 - 41	49" Stand-A-Lone Tool Compartment Panel Assembly - RH	130 - 131
Fender Flare Assembly - 146" CT Base	42 - 43	49" Stand-A-Lone Tool Compartment Door and Hardware Assembly - LH	132 - 133
Fender Flare Assembly - 146" CT Tri-Axle Base	44 - 45	49" Stand-A-Lone Tool Compartment Door and Hardware Assembly - RH	134 - 135
Fender Flare Assembly - 174" CT Base	46 - 47	49" Stand-A-Lone Tool Compartment Fender Flare Assembly	136 - 137
Fender Flare Assembly - 174" CT Tri-Axle Base	48 - 49	49" Stand-A-Lone Tool Compartment Spacer Mounting Assembly - LH	138 - 139
Mudflap Installation	50 - 51	49" Stand-A-Lone Tool Compartment Spacer Mounting Assembly - RH	140 - 141
Tool Holder Bracket Installation	52 - 53	49" 3/4 Height Stand-A-Lone Tool Compartment Installation	142 - 143
Shelf Assembly	54 - 55	49" 3/4 Height Stand-A-Lone Tool Compartment Panel Assembly - LH	144 - 145
24" Tunnel Tool Compartment Installation	56 - 57	49" 3/4 Height Stand-A-Lone Tool Compartment Panel Assembly - RH	146 - 147
24" Tunnel Tool Compartment Panel Assembly	58 - 59	49" 3/4 Height Stand-A-Lone Tool Compartment Door and Hardware Assembly - LH	148 - 149
24" Tunnel Tool Compartment Door and Hardware Assembly	60 - 61	49" 3/4 Height Stand-A-Lone Tool Compartment Door and Hardware Assembly - RH	150 - 151
24" Tunnel Tool Compartment Fender Flare Assembly	62 - 63	49" 3/4 Height Stand-A-Lone Tool Compartment Spacer Mounting Assembly - LH	152 - 153
24" 3/4 Height Tunnel Tool Compartment Installation	64 - 65	49" 3/4 Height Stand-A-Lone Tool Compartment Spacer Mounting Assembly - RH	154 - 155
24" 3/4 Height Tunnel Tool Compartment Panel Assembly	66 - 67	49" Tunnel Tool Compartment with Drawer Installation	156 - 157
24" 3/4 Height Tunnel Tool Compartment Door and Hardware Assembly	68 - 69	49" Tunnel Tool Compartment with Drawer Panel Assembly	158 - 159
24" Counterweighted Tunnel Tool Compartment Installation	70 - 71	49" Tunnel Tool Compartment with Drawer Door and Hardware Assembly	160 - 161
24" Counterweighted Tunnel Tool Compartment Panel Assembly	72 - 73	49" Tunnel Tool Compartment with Drawer - Drawer Installation	162 - 163
24" Counterweighted Tunnel Tool Compartment Door and Hardware Assembly	74 - 75	Headboard Installation - Body Mounted	164 - 165
49" Tunnel Tool Compartment Installation	76 - 77	Headboard Installation - Forward Mounted	166 - 167
49" Tunnel Tool Compartment Panel Assembly	78 - 79	Upright Headboard Installation - Forward Mounted	168 - 169
49" Counterweighted Tunnel Tool Compartment Installation	80 - 81	Headboard and Panel Assembly	170 - 171
49" Counterweighted Tunnel Tool Compartment Panel Assembly	82 - 83	Wing Light Bracket installation	172 - 173
49" Tunnel Tool Compartment Door and Hardware Assembly	84 - 85	49" Toolbox Tray	174 - 175
49" Tunnel Tool Compartment Fender Flare Assembly	86 - 87	49" Tunnel Tool Compartment Inside Drawer	176 - 177
24" Stand-A-Lone Tool Compartment Installation	88 - 89	Slide Out Frame Fork Storage Board	178 - 179

INDEX

DESCRIPTION	PAGE
Slide Out ToolBoard	180 - 181
Tire Lift Grid Storage Brackets for Body Compartments	182 - 183
Tire Lift Grid Storage Brackets for Tunnel Tool Compartments	184 - 185
14K Tire Lift Storage Brackets for 49" Tunnel Tool Compartments	186 - 189
25K Tire Lift Storage Brackets for 49" Tunnel Tool Compartments	190 - 193
25K Tire Lift Storage Brackets for 24" Tunnel Tool Compartment & 24" Stand-A-Lone Tool Compartment	194 - 195
Bracket Assembly - 3178000460	196 - 197
24" Tool Compartment Lighting	198 - 199
49" Tool Compartment Lighting	200 - 201
Body Wiring	202 - 205
Body Compartment Lighting	206 - 207
Headboard Lighting	208 - 209
Incandescent Tail Lights	210 - 211
LED Tail Lights	212 - 213
7-Way Trailer Towing Plug	214 - 215
Glad Hands	216 - 217
Switch Panel - 9 Function	218 - 219
Switch Panel - 9 Function with In-Cab Underlift Controls	220 - 223
Switch Panel - 8 Function Multiplex	224 - 227
Switch Panel - 8 Function Multiplex with Underlift Controls	228 - 229
Emergency Lightbar Installation	230 - 231
Emergency Wing Lightbar Installation	232 - 233
Lower Hook-up Lights	234 - 235
Upper Hook-up Lights	236 - 237
Upper Work Lights	238 - 239
Lower Hook-up Lights - Underlift Mounted	240 - 241
Upper Work Lights - Wrecker Boom Mounted	242 - 243
Under Body Marker Lights - 112" CA Base, 146" CT Base & 170" CT Base Bodies ..	244 - 245
Under Body Marker Lights - 86" CT Base, 110" CT Base & 146" Tri & 170" Tri Base Bodies	246 - 247
Under Tool Compartment Marker Lights	248 - 249
Wide Body Marker Lights	250 - 251
In Body Marker Lights	252 - 253
Mid Body marker Lights	254 - 255
Rear View Video Camera Kit	256 - 257
Winch View Camera Kit	258 - 259
Hose Reel Installation	260 - 261
Under Body Battery Box	262 - 266

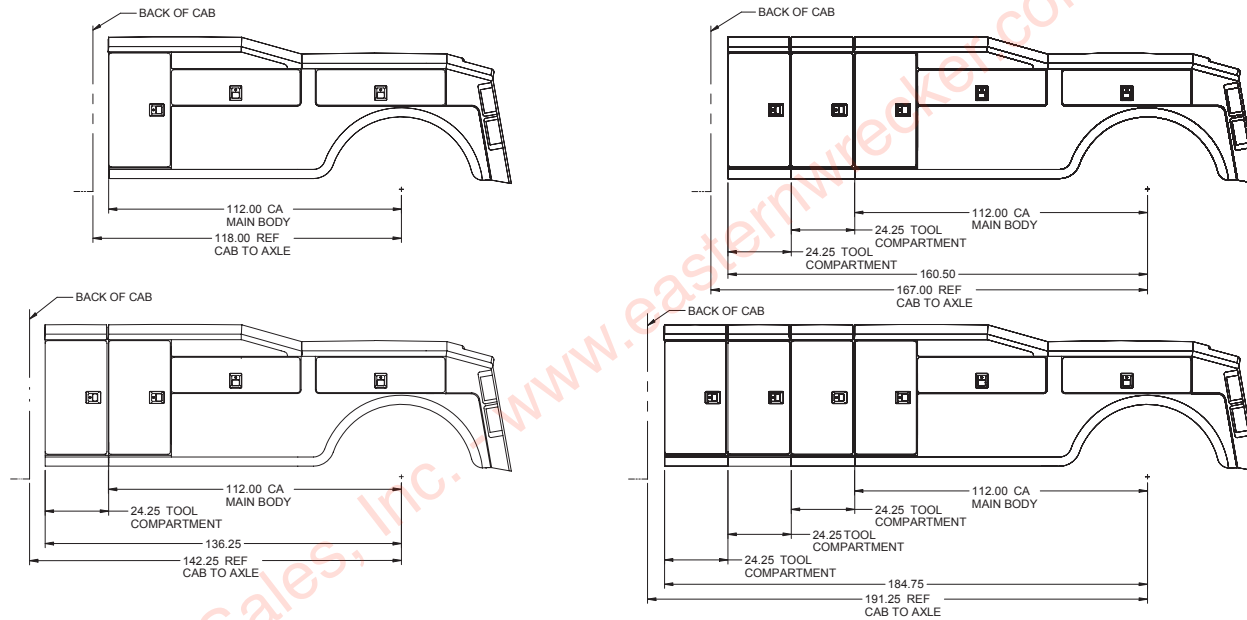
www.easternwrecker.com - 919-553-4038

Eastern Wrecker Sales, Inc.

BODY APPLICATIONS

25 Ton and 30 Ton

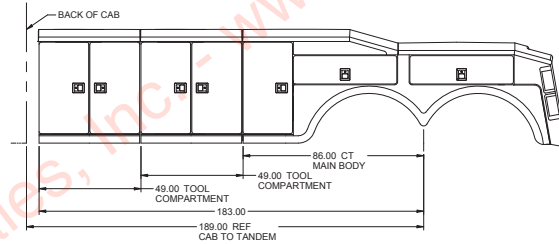
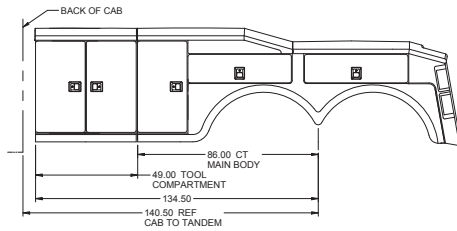
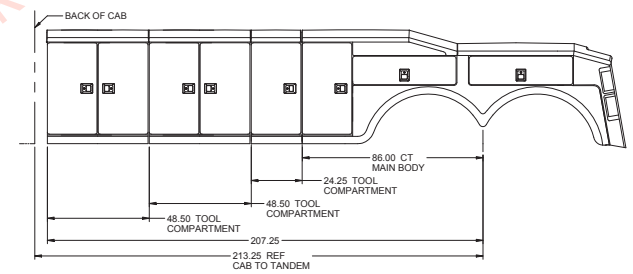
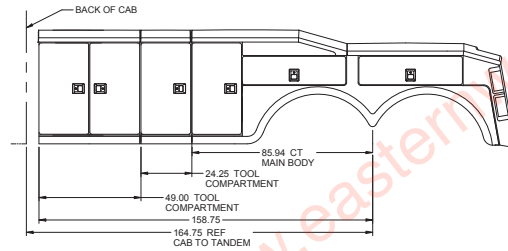
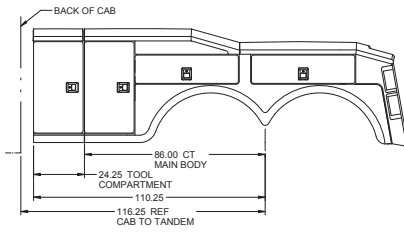
Single Axle with 112" CA Base



BODY APPLICATIONS

25 Ton and 30 Ton

Tandem Axle with 86" CT Base



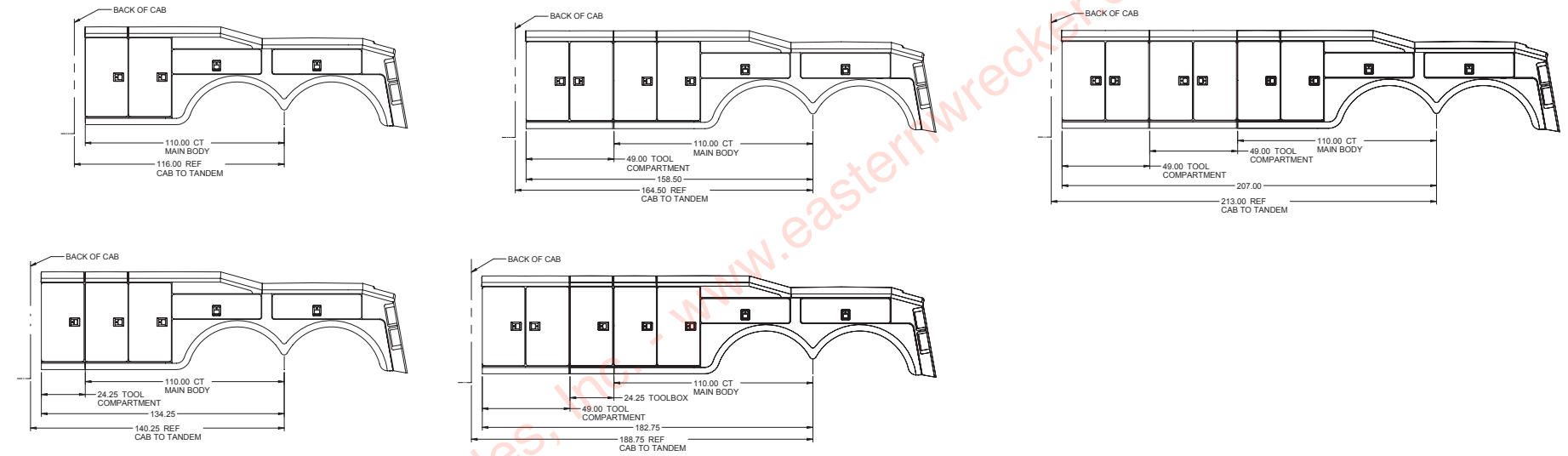
www.easternwrecker.com - 919-553-4038

Eastern Wrecker Sales, Inc.

BODY APPLICATIONS

35 Ton

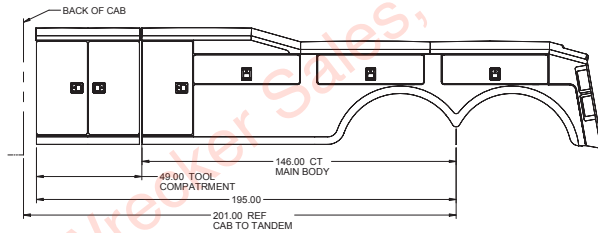
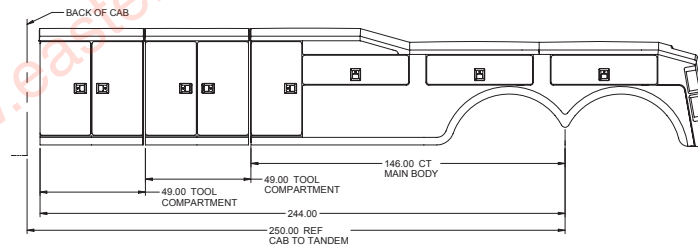
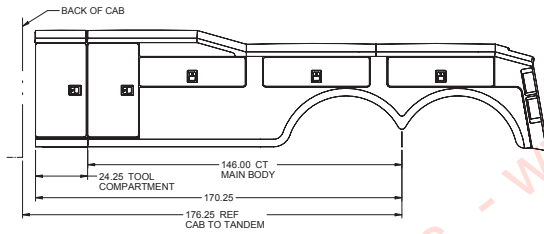
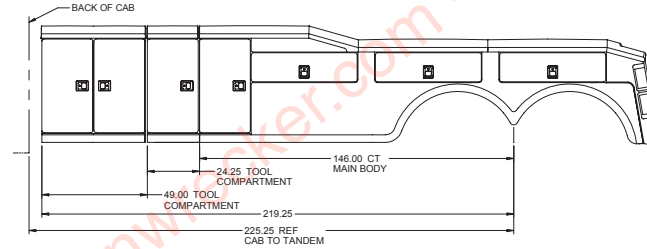
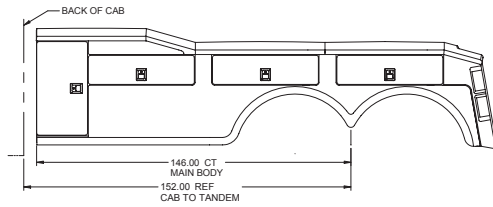
Tandem Axle with 110" CT Base



BODY APPLICATIONS

35 Ton

Tandem Axle with 146" CT Base

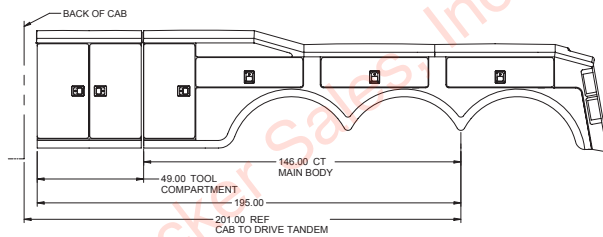
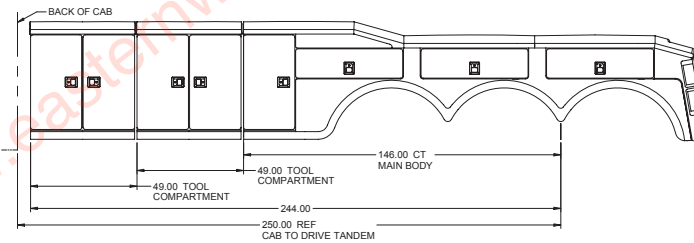
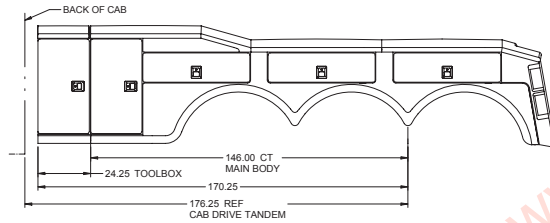
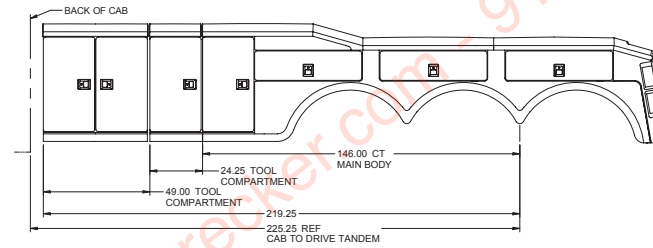
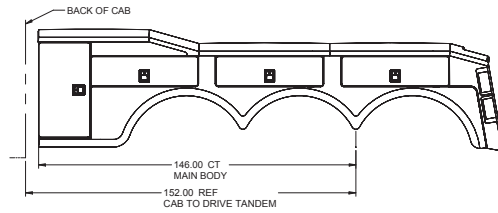


Eastern Wrecker Sales, Inc. - www.easternwrecker.com - 919-553-4038

BODY APPLICATIONS

35 Ton

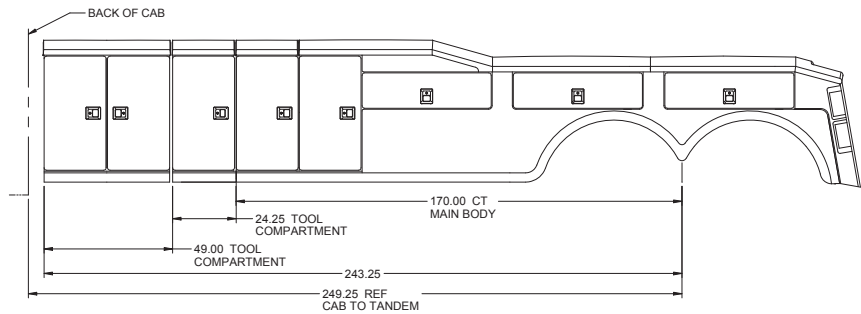
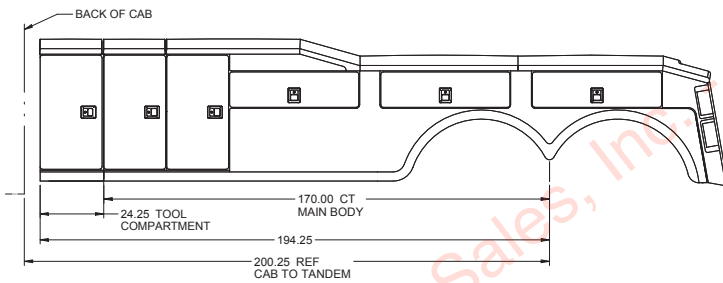
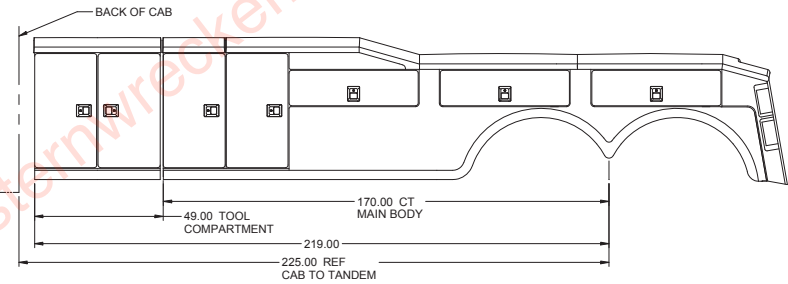
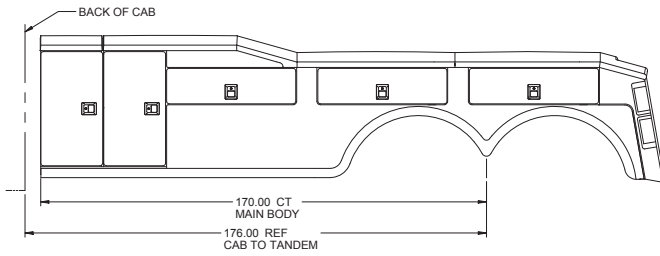
Tri-Axle with 146" Tri Base



BODY APPLICATIONS

50 & 60 Ton

Tandem Axle with 170" CT Base



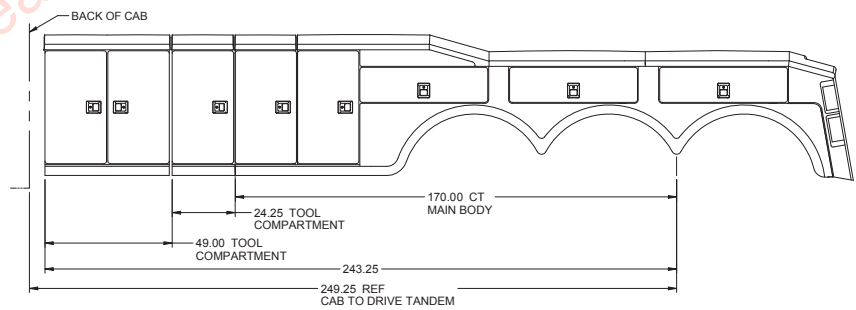
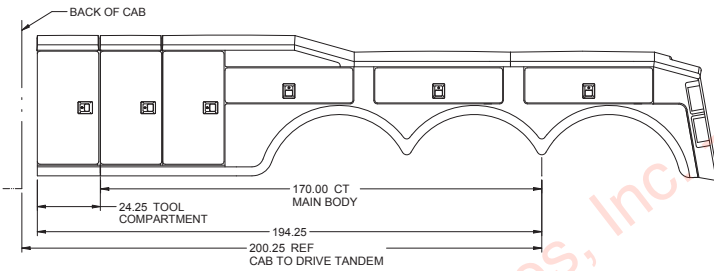
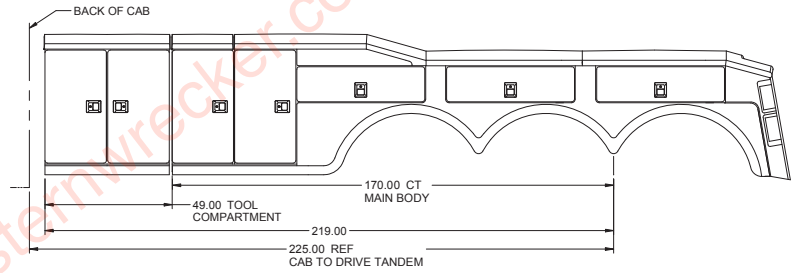
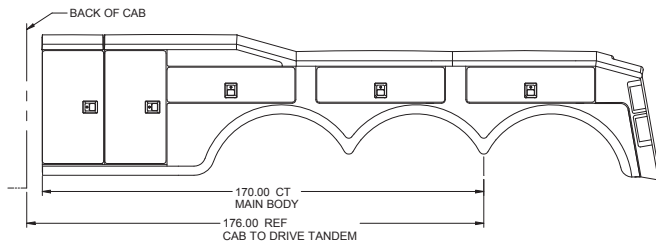
www.easternwrecker.com - 919-553-4038

Eastern Wrecker Sales, Inc.

BODY APPLICATIONS

50 & 60 Ton

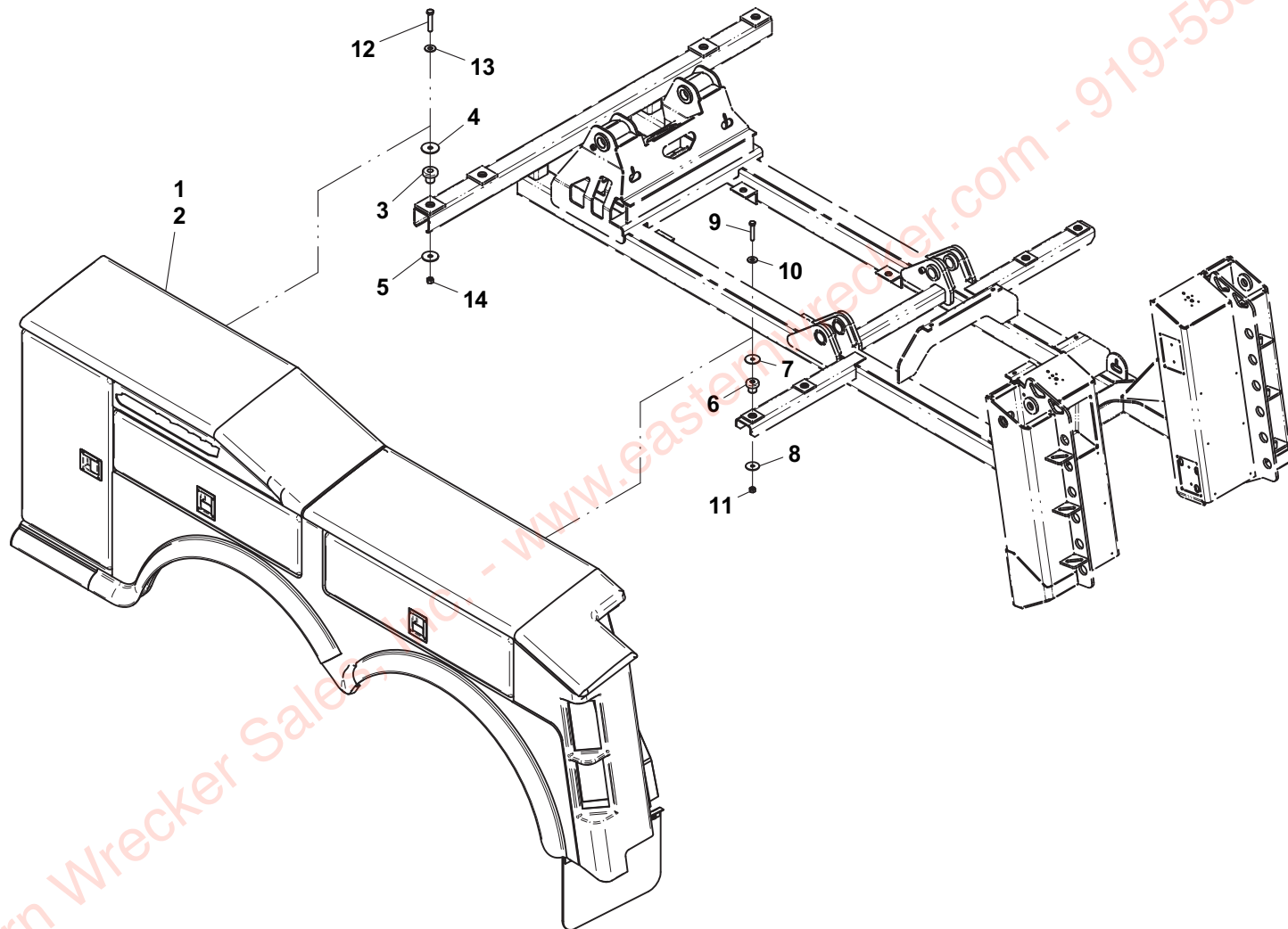
Tri-Axle with 170" Tri Base



BODY INSTALLATION - 112" CA/86" CT BASE

ITEM	PART NO.	DESCRIPTION	QTY
1	3097000229	LH Body Assembly 112" CA Single Axle	1
	3097000223	LH Body Assembly 86" CT, 52" Tandem Axle Spread	
	3097000225	LH Body Assembly 86" CT, 58" Tandem Axle Spread	
2	3097000230	RH Body Assembly - 112" CA 112" CA Single Axle	1
	3097000224	RH Body Assembly 86" CT, 52" Tandem Axle Spread	
	3097000226	RH Body Assembly 86" CT, 58" Tandem Axle Spread	
3	7636000007	Rubber Mount	4
4	7949000017	Washer, Head	4
5	7949000018	Washer, Tail	4
6	7636000008	Rubber Mount	4
7	7949000019	Washer, Snub Head	4
8	7949000020	Washer, Snub Tail	4
9	7115202850	Capscrew, 0.63"-11NC x 3.50"	4
10	7950200161	Flatwasher, 0.63" ID	4
11	7660200001	Nut, 0.63"-11NC	4
12	7115223250	Capscrew, 0.75"-10NC x 4.00"	4
13	7950220161	Flatwasher, 0.75" ID	4
14	7660220001	Nut, 0.75"-10NC	4

BODY INSTALLATION - 112" CA/86" CT BASE

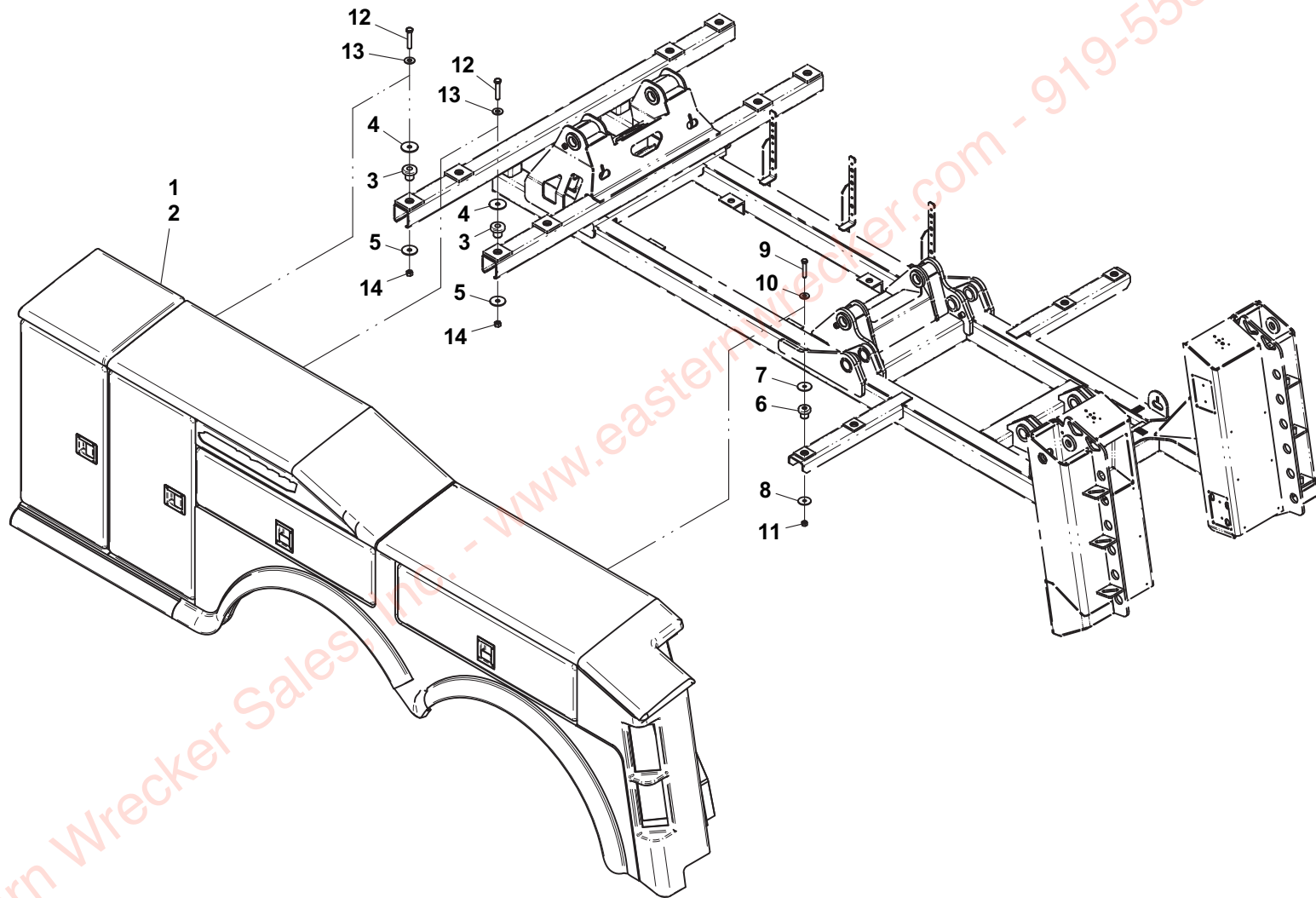


BODY INSTALLATION - 110" CT BASE

ITEM	PART NO.	DESCRIPTION	QTY
1	3097000212	LH Body Assembly 110" CT, 52" Tandem Axle Spread	1
	3097000214	LH Body Assembly 110" CT, 58" Tandem Axle Spread	
2	3097000213	RH Body Assembly 110" CT, 52" Tandem Axle Spread	1
	3097000215	RH Body Assembly 110" CT, 58" Tandem Axle Spread	
3	7636000007	Rubber Mount	8
4	7949000017	Washer, Head	8
5	7949000018	Washer, Tail	8
6	7636000008	Rubber Mount	4
7	7949000019	Washer, Snub Head	4
8	7949000020	Washer, Snub Tail	4
9	7115202850	Capscrew, 0.63"-11NC x 3.50"	4
10	7950200161	Flatwasher, 0.63" ID	4
11	7660200001	Nut, 0.63"-11NC	4
12	7115223250	Capscrew, 0.75"-10NC x 4.00"	8
13	7950220161	Flatwasher, 0.75" ID	8
14	7660220001	Nut, 0.75"-10NC	8

Eastern Wrecker Sales, Inc. - www.easternwrecker.com - 919-553-4038

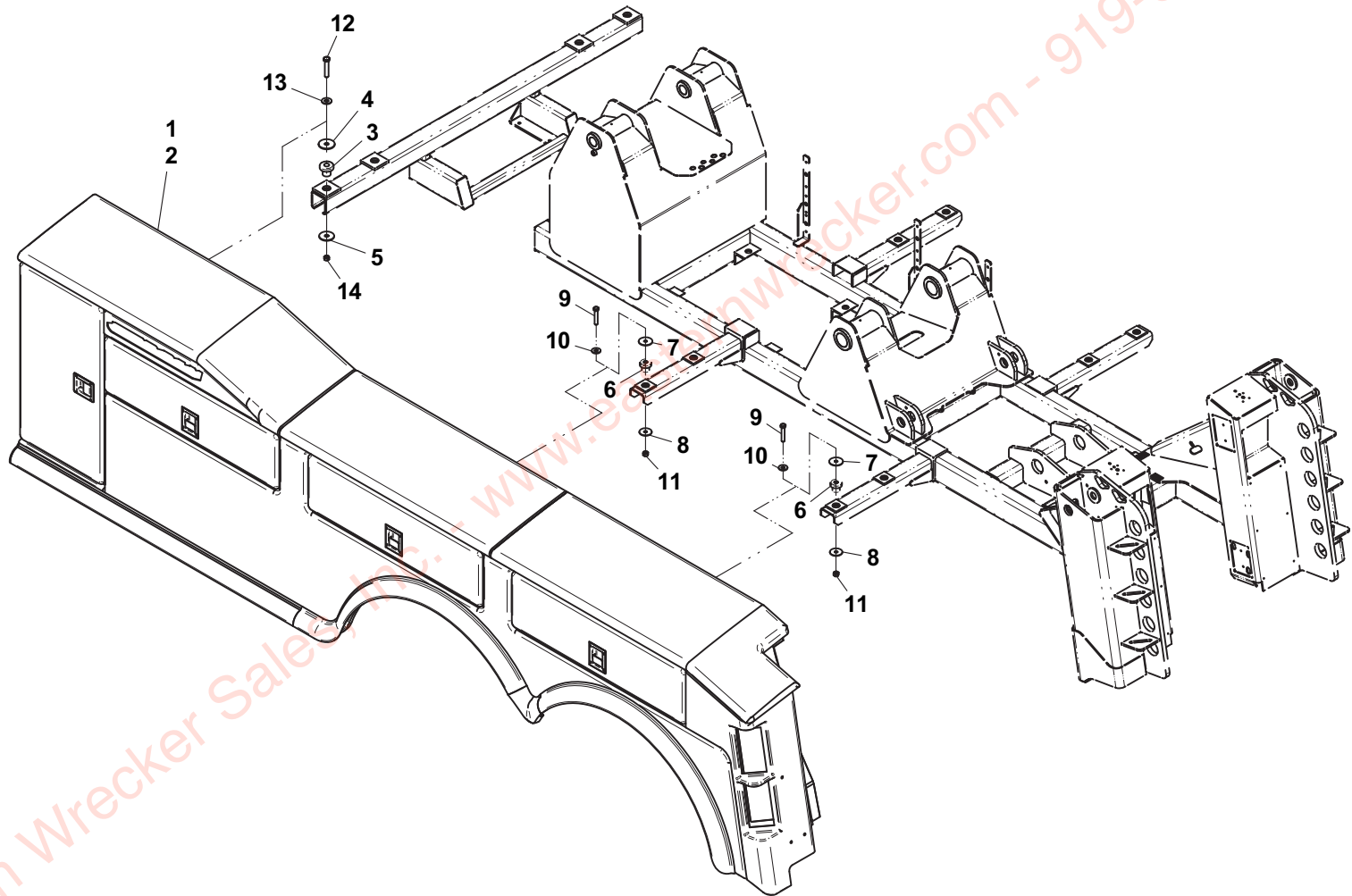
BODY INSTALLATION - 110" CT BASE



BODY INSTALLATION - 146" CT BASE

ITEM	PART NO.	DESCRIPTION	QTY
1	3502080085	LH Body Assembly 146" CT, 52" Tandem Axle Spread	1
	3502080087	LH Body Assembly 146" CT, 58" Tandem Axle Spread	
	3502080089	LH Body Assembly 146" CT, 52" Tri Axle Spread	
	3502080091	LH Body Assembly 146" CT, 58" Tri Axle Spread	
2	3502080086	RH Body Assembly 146" CT, 52" Tandem Axle Spread	1
	3502080088	RH Body Assembly 146" CT, 58" Tandem Axle Spread	
	3502080090	RH Body Assembly 146" CT, 52" Tri Axle Spread	
	3502080092	RH Body Assembly 146" CT, 58" Tri Axle Spread	
3	7636000007	Rubber Mount	4
4	7949000017	Washer, Head	4
5	7949000018	Washer, Tail	4
6	7636000008	Rubber Mount	8
7	7949000019	Washer, Snub Head	8
8	7949000020	Washer, Snub Tail	8
9	7115202850	Capscrew, 0.63"-11NC x 3.50"	8
10	7950200161	Flatwasher, 0.63" ID	8
11	7660200001	Nut, 0.63"-11NC	8
12	7115223250	Capscrew, 0.75"-10NC x 4.00"	4
13	7950220161	Flatwasher, 0.75" ID	4
14	7660220001	Nut, 0.75"-10NC	4

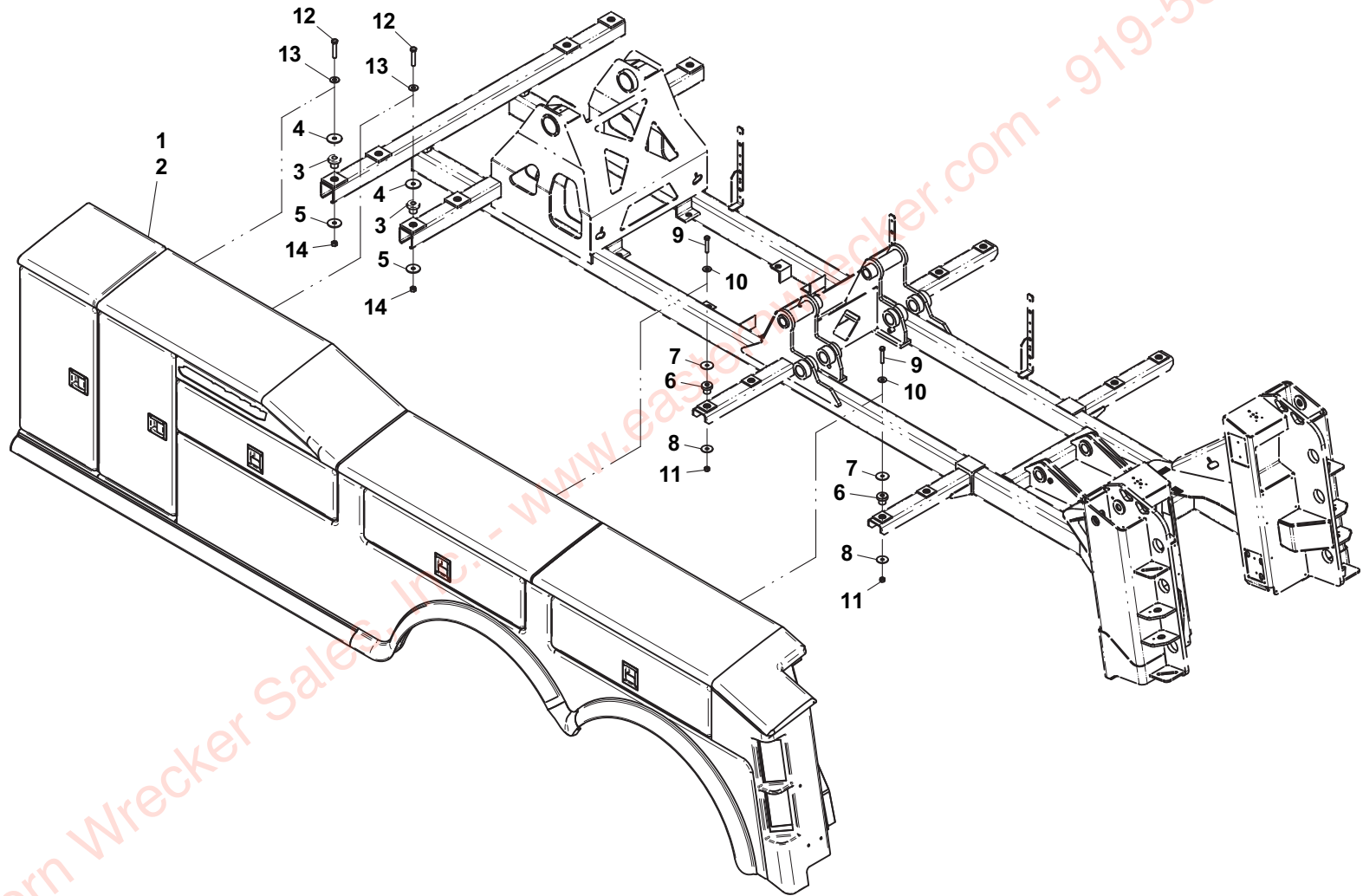
BODY INSTALLATION - 146" CT BASE



BODY INSTALLATION - 174" CT BASE

ITEM	PART NO.	DESCRIPTION	QTY
1	3502080063	LH Body Assembly 174" CT, 52" Tandem Axle Spread	1
	3502080065	LH Body Assembly 174" CT, 58" Tandem Axle Spread	
	3502080067	LH Body Assembly 174" CT, 52" Tri Axle Spread	
	3502080069	LH Body Assembly 174" CT, 58" Tri Axle Spread	
2	3502080064	RH Body Assembly 174" CT, 52" Tandem Axle Spread	1
	3502080066	RH Body Assembly 174" CT, 58" Tandem Axle Spread	
	3502080068	RH Body Assembly 174" CT, 52" Tri Axle Spread	
	3502080070	RH Body Assembly 174" CT, 58" Tri Axle Spread	
3	7636000007	Rubber Mount	8
4	7949000017	Washer, Head	8
5	7949000018	Washer, Tail	8
6	7636000008	Rubber Mount	8
7	7949000019	Washer, Snub Head	8
8	7949000020	Washer, Snub Tail	8
9	7115202850	Capscrew, 0.63"-11NC x 3.50"	8
10	7950200161	Flatwasher, 0.63" ID	8
11	7660200001	Nut, 0.63"-11NC	8
12	7115223250	Capscrew, 0.75"-10NC x 4.00"	8
13	7950220161	Flatwasher, 0.75" ID	8
14	7660220001	Nut, 0.75"-10NC	8

BODY INSTALLATION - 174" CT BASE



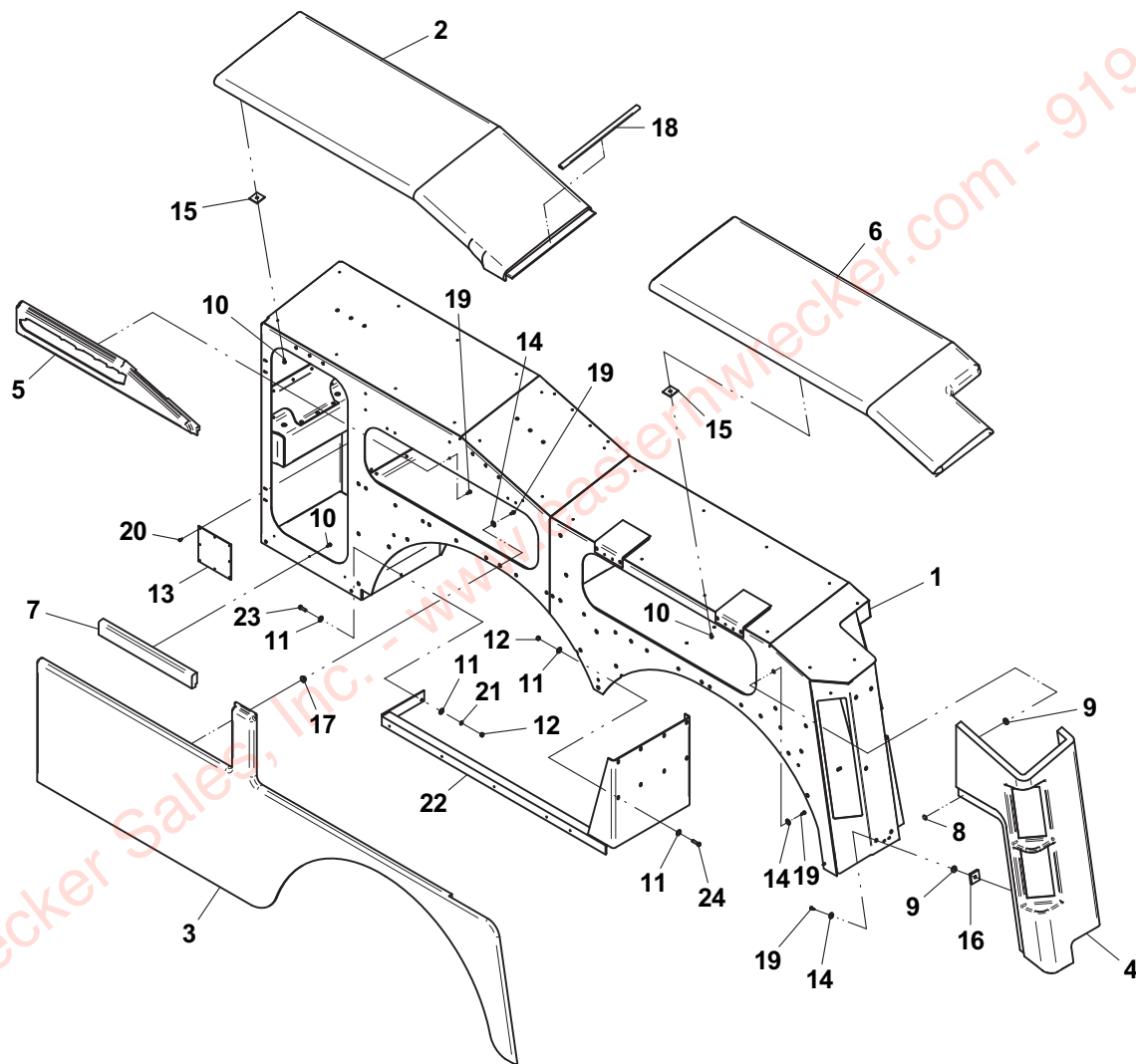
BODY PANEL ASSEMBLY - 112" CA BASE

ITEM	PART NO.	DESCRIPTION	QTY
1	3503080002	Body Bonding Assembly - LH	1
	3503080003	Body Bonding Assembly - RH	
2	7686000010	Front Cap Panel - LH	1
	7686000009	Front Cap Panel - RH	
3	4686000075	Single Wheel Well Panel - LH	1
	4686000076	Single Wheel Well Panel - RH	
4	7686000014	Tail Light Panel - LH	1
	7686000013	Tail Light Panel - RH	
5	7686000016	Logo Panel - LH	1
	7686000015	Logo Panel - RH	
6	7686000018	Rear Cap Panel - LH	1
	7686000017	Rear Cap Panel - RH	
7	7686000019	Filler Strip Panel	1
8	7189000015	Bumper, 0.81" Dia x 0.13" Thk	5
9	4636000031	Rubber Mount, 1.06 Dia x 0.36" Thk	16
10	7790141251	Screw, Self Tapping - 0.25" Dia x 0.75"	26
11	7950160163	Flatwasher, 0.38" ID	20
12	7660160000	Nut, 0.38"-16NC	10
13	4811000408	Sheet	2
14	7949000022	Washer, Fender - 1.00 OD x 0.25" ID	29
15	4679000120	Pad, Rubber - 0.12" Thk	23
16	4679000122	Pad, Rubber - 0.38" Thk	5
17	4636000032	Rubber Mount, 1.06 Dia x 0.54" Thk	11
18	7796000078	Gasket	1.9Ft
19	7790142051	Screw, Self Tapping - 0.25" Dia x 1.25	35
20	7790100856	Screw, Self Tapping - #10 Dia x 0.50"	16
21	7950160000	Lockwasher, 0.38" ID	2
22	3017000026	Angle Bracket Weldment - LH	1
	3017000027	Angle Bracket Weldment - RH	
23	7114161050	Capscrew, 0.38"-16NC x 1.25"	2
24	7115161250	Capscrew, 0.38"-16NC x 1.50"	8

www.easternwrecker.com - 919-553-4038

Eastern Wrecker, Inc.

BODY PANEL ASSEMBLY - 112" CA BASE

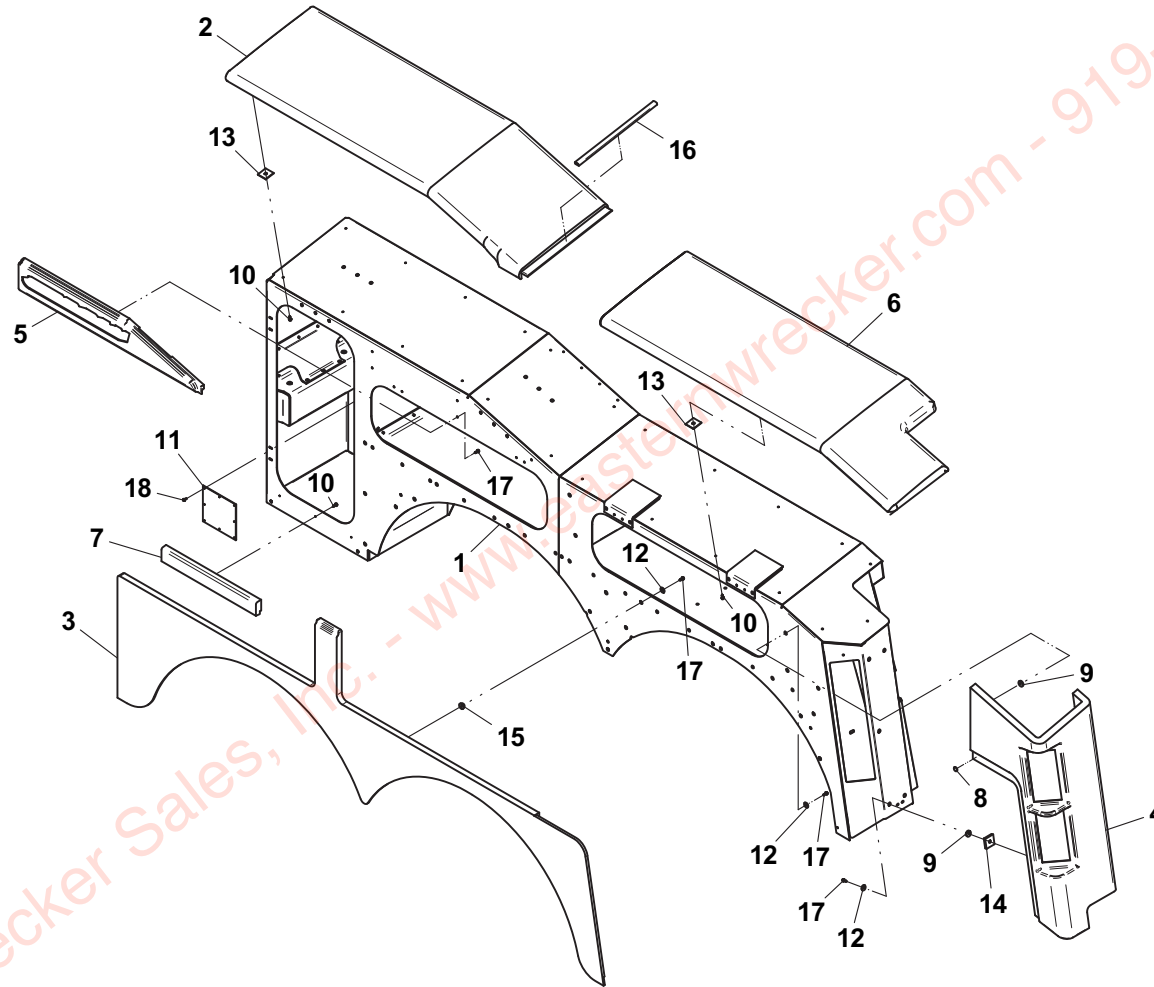


LH Body Shown

BODY PANEL ASSEMBLY - 86" CT BASE

ITEM	PART NO.	DESCRIPTION	QTY
1	3503080002	Body Bonding Assembly - LH	1
	3503080003	Body Bonding Assembly - RH	
2	7686000010	Front Cap Panel - LH	1
	7686000009	Front Cap Panel - RH	
3	4686000077	Tandem Wheel Well Panel - LH	1
	4686000078	Tandem Wheel Well Panel - RH	
4	7686000014	Tail Light Panel - LH	1
	7686000013	Tail Light Panel - RH	
5	7686000016	Logo Panel - LH	1
	7686000015	Logo Panel - RH	
6	7686000018	Rear Cap Panel - LH	1
	7686000017	Rear Cap Panel - RH	
7	7686000019	Filler Strip Panel	1
8	7189000015	Bumper, 0.81" Dia x 0.13" Thk	5
9	4636000031	Rubber Mount, 1.06 Dia x 0.36" Thk	16
10	7790141251	Screw, Self Tapping - 0.25" Dia x 0.75"	26
11	4811000408	Sheet	2
12	7949000022	Washer, Fender - 1.00 OD x 0.25" ID	29
13	4679000120	Pad, Rubber - 0.12" Thk	23
14	4679000122	Pad, Rubber - 0.38" Thk	5
15	4636000032	Rubber Mount, 1.06 Dia x 0.54" Thk	11
16	7796000078	Gasket	1.9Ft
17	7790142051	Screw, Self Tapping - 0.25" Dia x 1.25	35
18	7790100856	Screw, Self Tapping - #10 Dia x 0.50"	16

BODY PANEL ASSEMBLY - 86" CT BASE



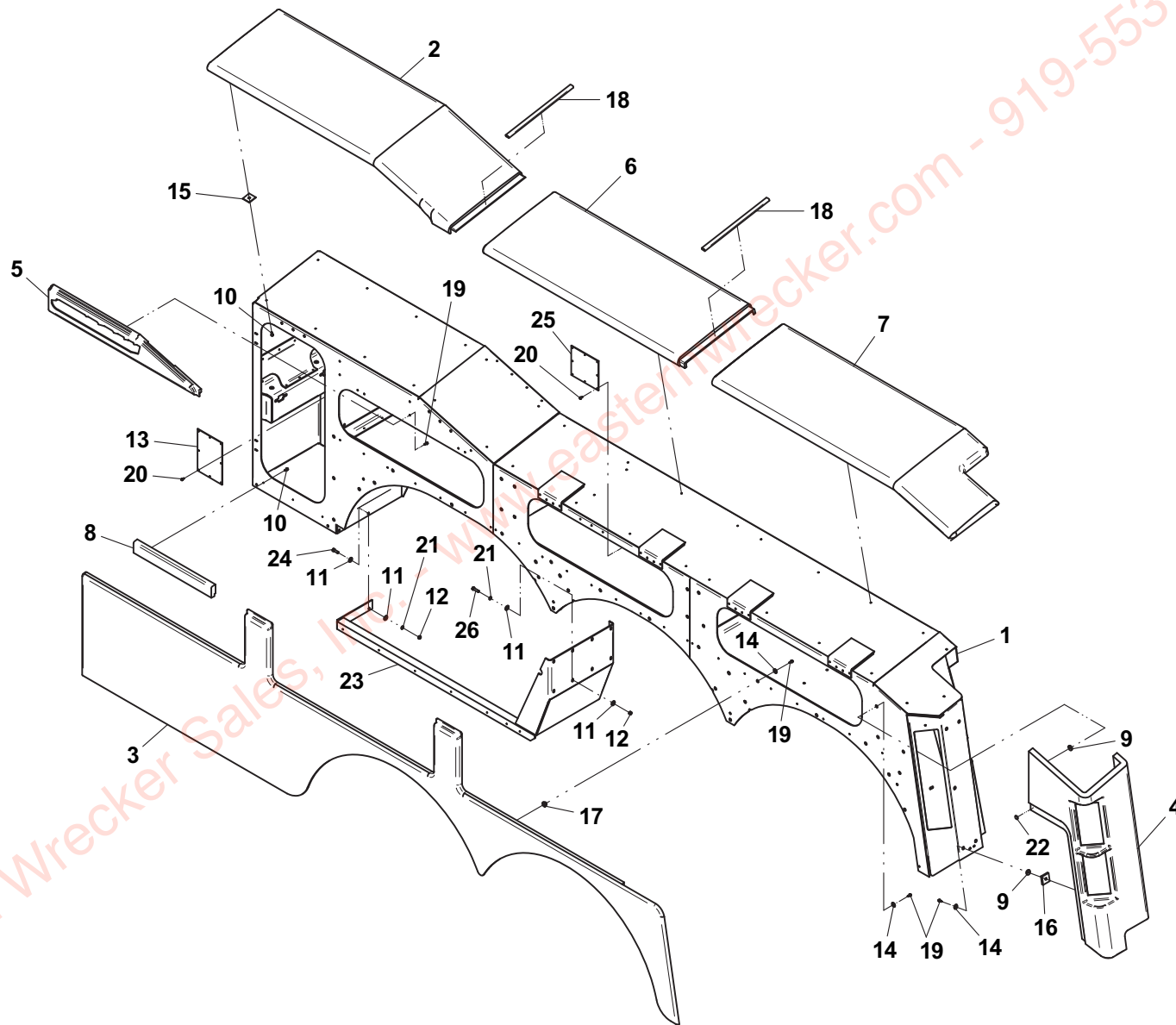
LH Body Shown

BODY PANEL ASSEMBLY - 146" CT TANDEM BASE

ITEM	PART NO.	DESCRIPTION	QTY
1	3502080047	Body Bonding Assembly - LH	1
	3502080048	Body Bonding Assembly - RH	
2	7686000010	Front Cap Panel - LH	1
	7686000009	Front Cap Panel - RH	
3	4686000089	Tandem Wheel Well Panel - LH	1
	4686000090	Tandem Wheel Well Panel - RH	
4	7686000014	Tail Light Panel - LH	1
	7686000013	Tail Light Panel - RH	
5	7686000016	Logo Panel - LH	1
	7686000015	Logo Panel - RH	
6	7686000025	Intermediate Cap Panel - LH	1
	7686000024	Intermediate Cap Panel - RH	
7	7686000018	Rear Cap Panel - LH	1
	7686000017	Rear Cap Panel - RH	
8	7686000019	Filler Strip Panel	1
9	4636000031	Rubber Mount, 1.06 Dia x 0.36" Thk	23
10	7790141251	Screw, Self Tapping - 0.25" Dia x 0.75"	34
11	7590160161	Flatwasher, 0.38" ID	20
12	7660160000	Nut, 0.38"-16NC	10
13	4811000091	Sheet	1
14	7949000022	Washer, Fender - 1.00 OD x 0.25" ID	43
15	4679000120	Pad, Rubber - 0.12" Thk	31
16	4679000122	Pad, Rubber - 0.38" Thk	5
17	4636000032	Rubber Mount, 1.06 Dia x 0.54" Thk	19
18	7796000078	Gasket	3.7Ft
19	7790142051	Screw, Self Tapping - 0.25" Dia x 1.25	47
20	7790100856	Screw, Self Tapping - #10 Dia x 0.50"	24
21	7950160000	Lockwasher, 0.38" ID	10
22	7189000015	Bumper, 0.81" Dia x 0.13" Thk	5
23	3017000028	Angle Bracket Weldment - LH	1
	3017000029	Angle Bracket Weldment - RH	
24	7114161050	Capscrew, 0.38"-16NC x 1.25"	2
25	4811000408	Sheet	2
26	7115161250	Capscrew, 0.38"-16NC x 1.50"	10

www.easternwrecker.com - 919-553-4038

BODY PANEL ASSEMBLY - 146" CT TANDEM BASE

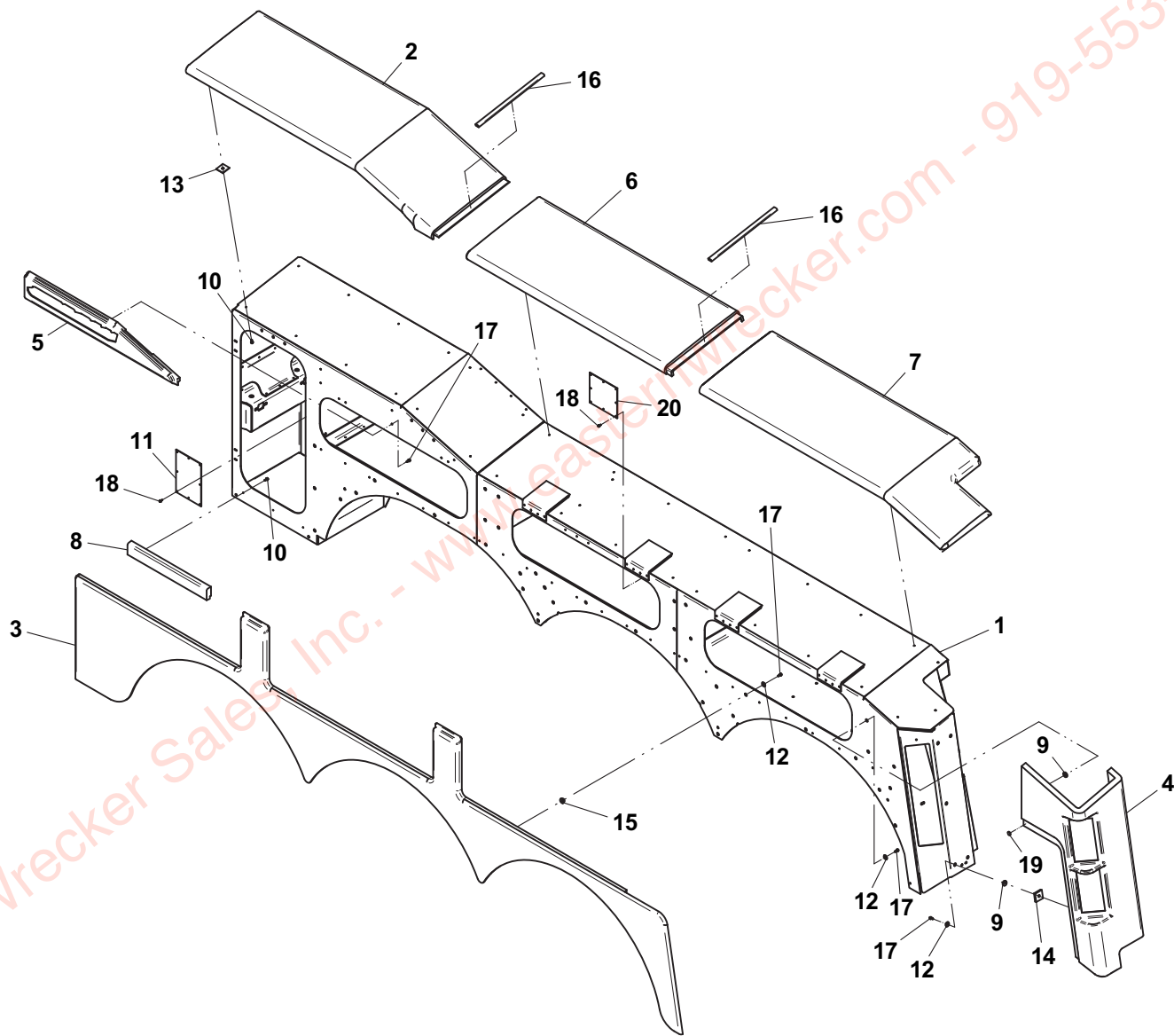


LH Body Shown

BODY PANEL ASSEMBLY - 146" CT TRI-AXLE BASE

ITEM	PART NO.	DESCRIPTION	QTY
1	3502080047	Body Bonding Assembly - LH	1
	3502080048	Body Bonding Assembly - RH	
2	7686000010	Front Cap Panel - LH	1
	7686000009	Front Cap Panel - RH	
3	4686000091	Tri-Axle Wheel Well Panel - LH	1
	4686000092	Tri-Axle Wheel Well Panel - RH	
4	7686000014	Tail Light Panel - LH	1
	7686000013	Tail Light Panel - RH	
5	7686000016	Logo Panel - LH	1
	7686000015	Logo Panel - RH	
6	7686000025	Intermediate Cap Panel - LH	1
	7686000024	Intermediate Cap Panel - RH	
7	7686000018	Rear Cap Panel - LH	1
	7686000017	Rear Cap Panel - RH	
8	7686000019	Filler Strip Panel	1
9	4636000031	Rubber Mount, 1.06 Dia x 0.36" Thk	22
10	7790141251	Screw, Self Tapping - 0.25" Dia x 0.75"	34
11	4811000091	Sheet	1
12	7949000022	Washer, Fender - 1.00 OD x 0.25" ID	41
13	4679000120	Pad, Rubber - 0.12" Thk	31
14	4679000122	Pad, Rubber - 0.38" Thk	5
15	4636000032	Rubber Mount, 1.06 Dia x 0.54" Thk	17
16	7796000078	Gasket	3.7Ft
17	7790142051	Screw, Self Tapping - 0.25" Dia x 1.25	47
18	7790100856	Screw, Self Tapping - #10 Dia x 0.50"	24
19	7189000015	Bumper, 0.81" Dia x 0.13" Thk	5
20	4811000408	Sheet	2

BODY PANEL ASSEMBLY - 146" CT TRI-AXLE BASE

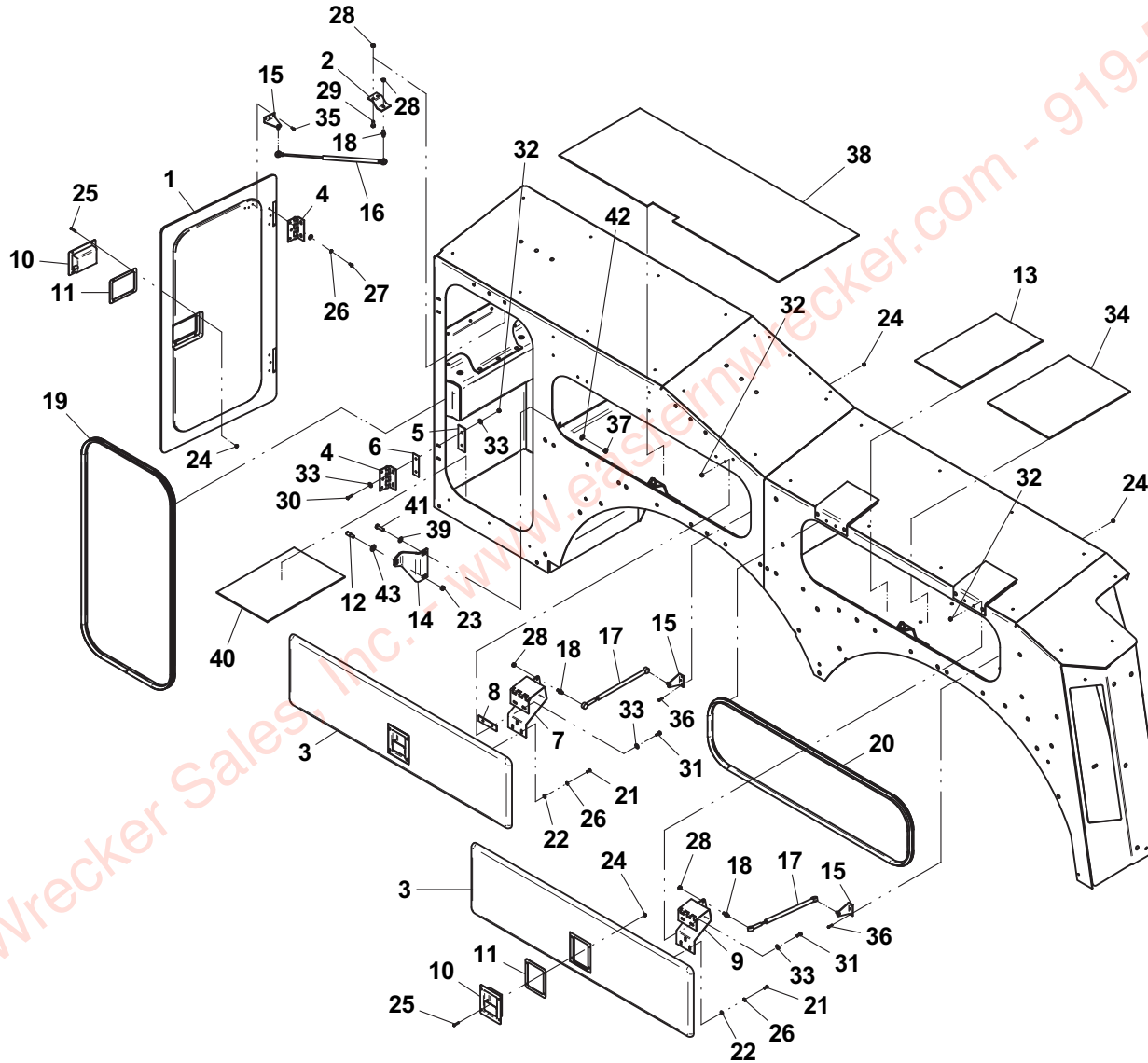


LH Body Shown

DOOR AND HARDWARE ASSEMBLY - 112" CA/86" CT BASE

ITEM	PART NO.	DESCRIPTION	QTY	ITEM	PART NO.	DESCRIPTION	QTY
1	4686000072	Door Panel - LH	1	33	7950140163	Flatwasher, 0.25" ID	22
	4686000073	Door Panel - RH		34	4679000131	Pad, Rubber - LH	1
2	4178000240	Bracket	1		4679000144	Pad, Rubber - RH	
3	4686000074	Door Panel	2	35	7114100418	Capscrew, #10-24NC x 0.50"	3
4	7555000002	Hinge	2	36	7114100618	Capscrew, #10-24NC x 0.75"	12
5	4062000173	Bar	2	37	7660162604	Locknut, 0.38"-16NC	5
6	4812000052	Shim	2	38	4679000117	Pad, Rubber	1
7	3555000008	Front Hinge	2	39	7950160163	Flatwasher, 0.38" ID	8
8	4062000174	Bar	2	40	4679000118	Pad, Rubber	1
9	3555000007	Rear Hinge	2	41	7114161050	Capscrew, 0.38"-16NC x 1.25"	6
10	7595000005	Latch, 2 Stage Rotary	3	42	7950160143	Flatwasher, 0.38" ID	3
11	7796000038	Gasket	3	43	7950160163	Flatwasher, 0.38" ID	3
12	7585000009	Latch Striker	3				
13	4679000119	Pad, Rubber - LH	1				
	4679000143	Pad, Rubber - RH					
14	4178000225	Bracket	3				
15	7178000023	Bracket, Ball Stud	5				
16	7843000020	Gas Spring - 6.00" Stroke	1				
17	7843000022	Gas Spring - 7.25" Stroke	4				
18	7865000001	Ball Stud	5				
19	4632000012	Seal, Vertical Door	1				
20	4632000013	Seal, Horizontal Door	2				
21	7114140518	Capscrew, 0.25"-20NC x 0.62"	12				
22	7950100153	Flatwasher, 0.19" ID	12				
23	7660162604	Locknut, 0.38"-16NC	3				
24	7660102604	Locknut, #10-24NC	24				
25	7114100818	Capscrew, #10-24NC x 1.00"	12				
26	7949000074	Lockwasher, Serrated - 11mm ID	18				
27	7114140418	Capscrew, 0.25"-20NC x 0.50"	6				
28	7660152604	Locknut, 0.31"-18NC	7				
29	7114150650	Capscrew, 0.31"-18NC x 0.75"	2				
30	7114140818	Capscrew, 0.25"-20NC x 1.00"	4				
31	7114140650	Capscrew, 0.25"-20NC x 0.75"	8				
32	7660142604	Locknut, 0.25"-20NC	12				

DOOR AND HARDWARE ASSEMBLY - 112" CA/86" CT BASE

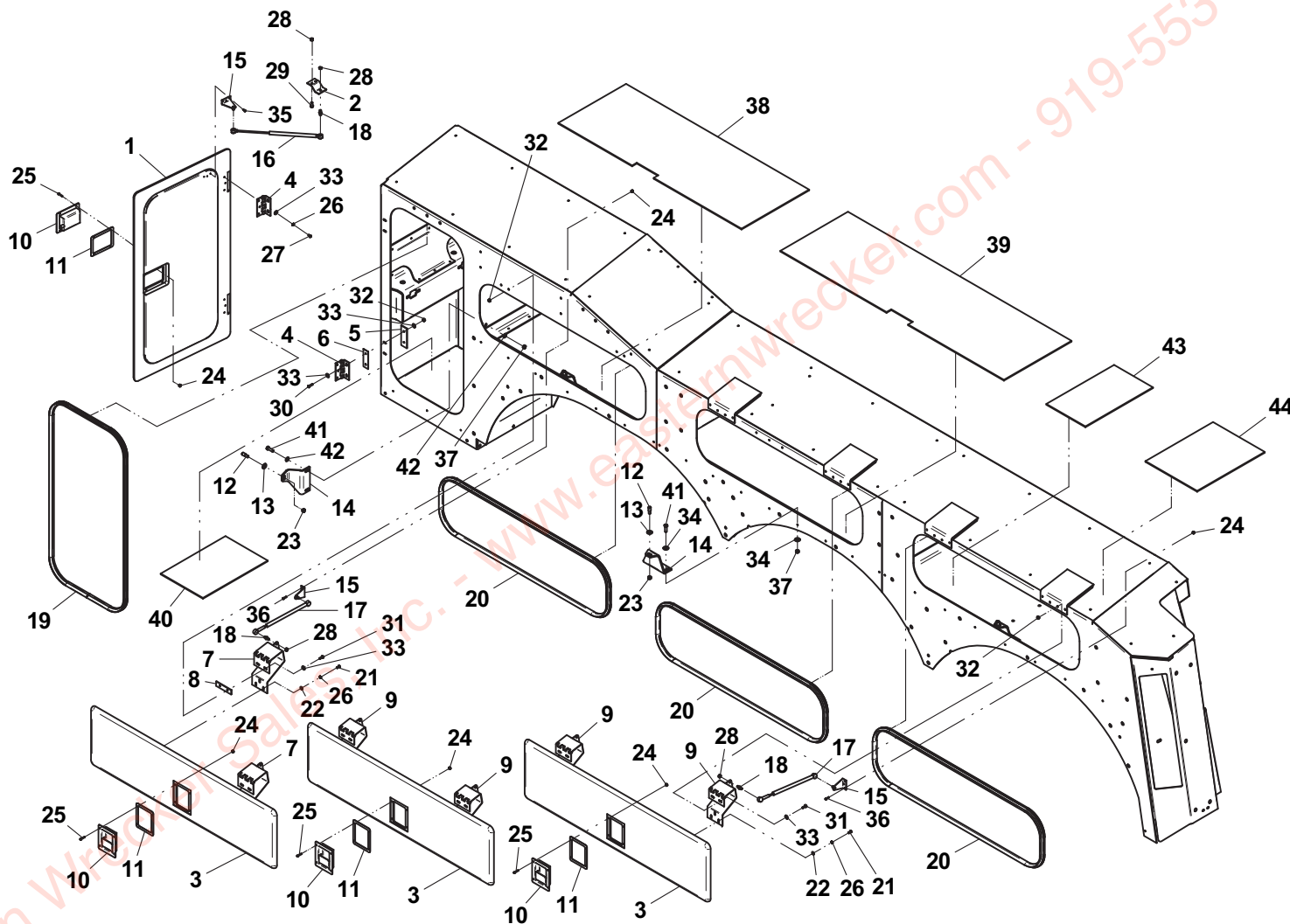


LH Body Shown

DOOR AND HARDWARE ASSEMBLY - 146" CT BASE

ITEM	PART NO.	DESCRIPTION	QTY	ITEM	PART NO.	DESCRIPTION	QTY
1	4686000072	Door Panel - LH	1	34	7950160163	Flatwasher, 0.38" ID	12
	4686000073	Door Panel - RH		35	7114100418	Capscrew, #10-24NC x 0.50"	3
2	4178000240	Bracket	1	36	7114100618	Capscrew, #10-24NC x 0.75"	18
3	4686000074	Door Panel	3	37	7660162604	Locknut, 0.38"-16NC	7
4	7555000002	Hinge	2	38	4679000117	Pad, Rubber	1
5	4062000173	Bar	2	39	4679000142	Pad, Rubber	1
6	4812000052	Shim	2	40	4679000118	Pad, Rubber	1
7	3555000008	Front Hinge	2	41	7114161050	Capscrew, 0.38"-16NC x 1.25"	8
8	4062000174	Bar	2	42	7950160143	Flatwasher, 0.38" ID	3
9	3555000007	Rear Hinge	4	43	4679000119	Pad, Rubber - LH	1
10	7595000005	Latch, 2 Stage Rotary	4		4679000143	Pad, Rubber - RH	
11	7796000038	Gasket	4	44	4679000131	Pad, Rubber - LH	1
12	7585000009	Latch Striker	4		4679000144	Pad, Rubber - RH	
13	7950161062	Flatwasher, 0.38" ID	4				
14	4178000225	Bracket	4				
15	7178000023	Bracket, Ball Stud	7				
16	7843000020	Gas Spring - 6.00" Stroke	1				
17	7843000022	Gas Spring - 7.25" Stroke	6				
18	7865000001	Ball Stud	7				
19	4632000012	Seal, Vertical Door	1				
20	4632000013	Seal, Horizontal Door	3				
21	7114140518	Capscrew, 0.25"-20NC x 0.62"	18				
22	7950100153	Flatwasher, 0.19" ID	18				
23	7660162604	Locknut, 0.38"-16NC	4				
24	7660102604	Locknut, #10-24NC	34				
25	7114100818	Capscrew, #10-24NC x 1.00"	16				
26	7949000074	Lockwasher, Serrated - 11mm ID	24				
27	7114140418	Capscrew, 0.25"-20NC x 0.50"	6				
28	7660152604	Locknut, 0.31"-18NC	9				
29	7114150650	Capscrew, 0.31"-18NC x 0.75"	2				
30	7114140818	Capscrew, 0.25"-20NC x 1.00"	4				
31	7114140650	Capscrew, 0.25"-20NC x 0.75"	12				
32	7660142604	Locknut, 0.25"-20NC	16				
33	7950140163	Flatwasher, 0.25" ID	26				

DOOR AND HARDWARE ASSEMBLY - 146" CT BASE



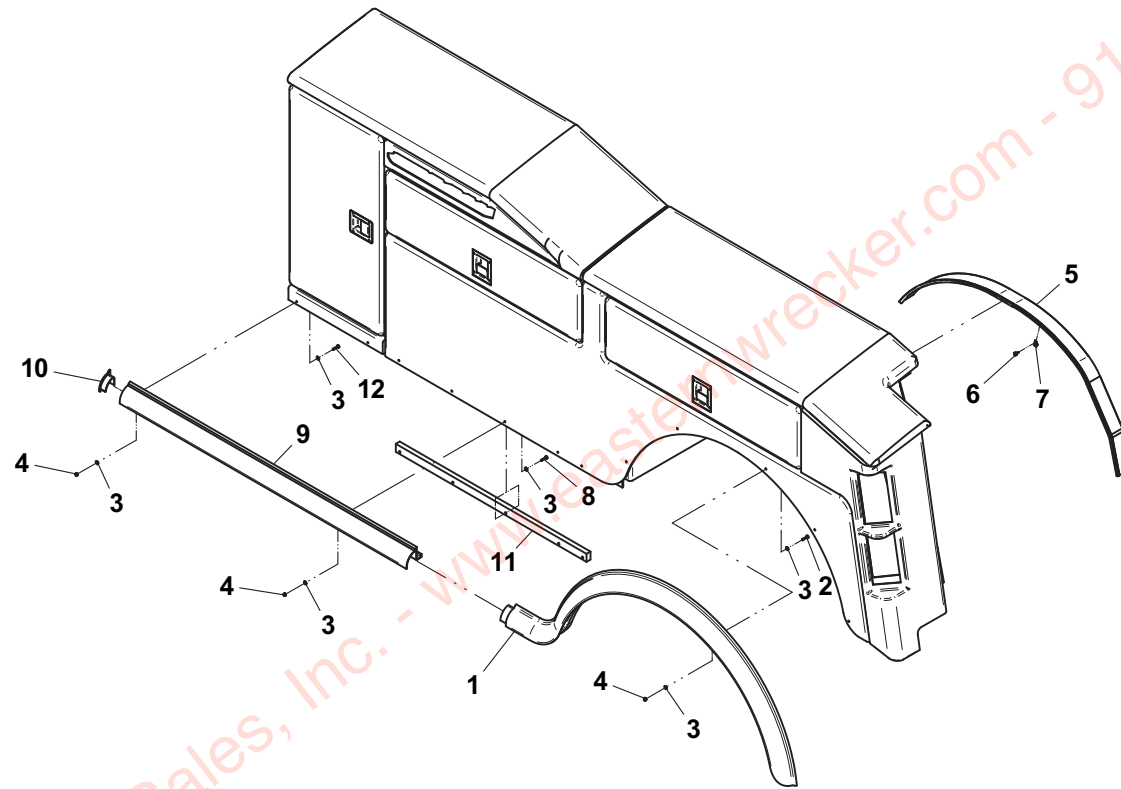
LH Body Shown

FENDER FLARE ASSEMBLY - 112" CA BASE

ITEM	PART NO.	DESCRIPTION	QTY
1	741500008	Wheelwell Flare - LH	1
	741500007	Wheelwell Flare - RH	
2	7111141050	Capscrew, 0.25"-20NC x 1.25"	5
3	7950140151	Flatwasher, 0.25" ID	24
4	7660142604	Locknut, 0.25"-20NC	12
5	741500032	Fender, Inner	6FT
6	7790141056	Screw, Self Tapping - 0.25" Dia x 0.63"	4
7	728000020	Wire Clip	4
8	7115142050	Capscrew, 0.25"-20NC x 2.50"	5
9	441500047	Flare, Body	1
10	741500014	Flare, Body Cap - LH	1
	741500013	Flare, Body Cap - RH	
11	483100068	Spacer	1
12	7114141850	Capscrew, 0.25"-20NC x 2.25"	2

Eastern Wrecker Sales, Inc. - www.easternwrecker.com - 919-553-4038

FENDER FLARE ASSEMBLY - 112" CA BASE



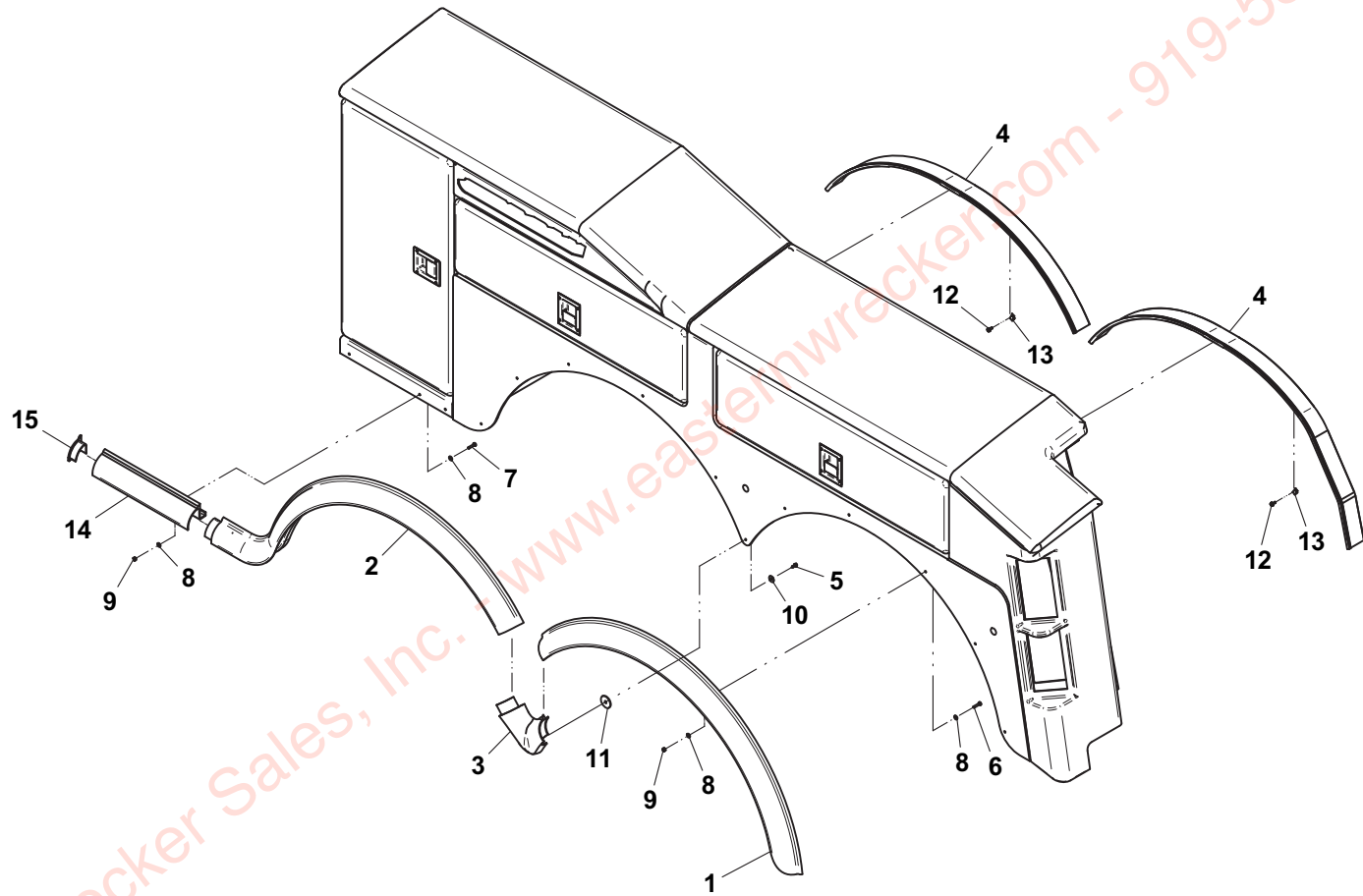
LH Body Shown

FENDER FLARE ASSEMBLY - 86" CT BASE

ITEM	PART NO.	DESCRIPTION	QTY
1	4415000019	Wheelwell Flare, Rear - LH 52" Tandem Axle Spread	1
	4415000017	Wheelwell Flare, Rear - RH 52" Tandem Axle Spread	
	4415000030	Wheelwell Flare, Rear - LH 58" Tandem Axle Spread	
	4415000028	Wheelwell Flare, Rear - RH 58" Tandem Axle Spread	
2	4415000018	Wheelwell Flare, Front - LH 52" Tandem Axle Spread	1
	4415000016	Wheelwell Flare, Front - RH 52" Tandem Axle Spread	
	4415000029	Wheelwell Flare, Front - LH 58" Tandem Axle Spread	
	4415000027	Wheelwell Flare, Front - RH 58" Tandem Axle Spread	
3	7415000010	Junction, Flare - 52" Tandem Axle Spread	1
	7415000011	Junction, Flare - 58" Tandem Axle Spread	1
4	7415000032	Fender, Inner	12FT
5	7790142051	Screw, Self Tapping - 0.25" Dia x 1.25"	1
6	7111141050	Capscrew, 0.25"-20NC x 1.25"	10
7	7114141850	Capscrew, 0.25"-20NC x 2.25"	3
8	7950140151	Flatwasher, 0.25" ID	26
9	7660142604	Locknut, 0.25"-20NC	13
10	7494000022	Washer, Fender	1
11	4679000148	Pad	1
12	7790141056	Screw, Self Tapping - 0.25" Dia x 0.63"	8
13	7280000020	Wire Clip	8
14	4415000020	Flare, Body - 52" Tandem Axle Spread	1
	4415000031	Flare, Body - 58" Tandem Axle Spread	
15	7415000014	Flare, Body Cap - LH	1
	7415000013	Flare, Body Cap - RH	

www.easternwrecker.com - 919-553-4038

FENDER FLARE ASSEMBLY - 86" CT BASE



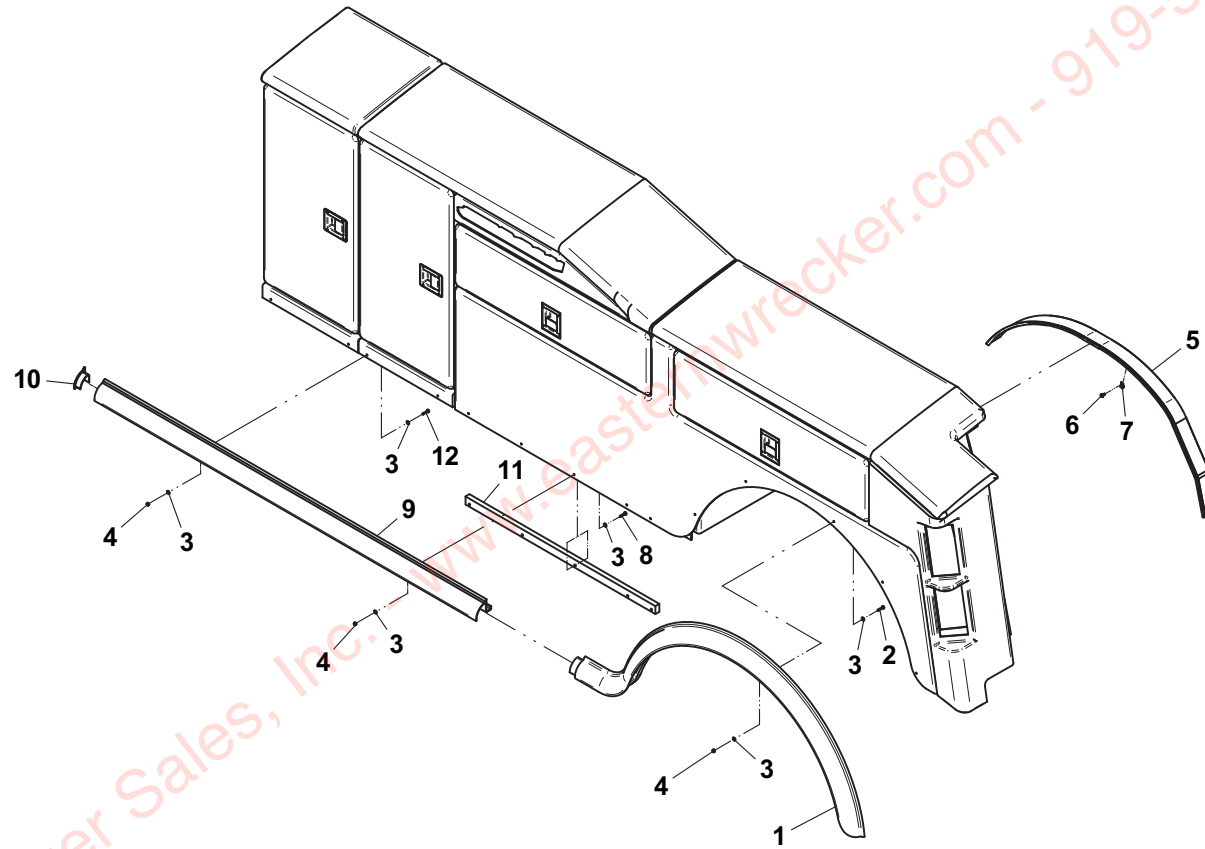
LH Body Shown

FENDER FLARE ASSEMBLY - 136" CA BASE

ITEM	PART NO.	DESCRIPTION	QTY
1	741500008	Wheelwell Flare - LH	1
	741500007	Wheelwell Flare - RH	
2	7111141050	Capscrew, 0.25"-20NC x 1.25"	5
3	7950140151	Flatwasher, 0.25" ID	28
4	7660142604	Locknut, 0.25"-20NC	14
5	7415000032	Fender, Inner	6FT
6	7790141056	Screw, Self Tapping - 0.25" Dia x 0.63"	4
7	7280000020	Wire Clip	4
8	7115142050	Capscrew, 0.25"-20NC x 2.50"	5
9	4415000021	Flare, Body	1
10	7415000014	Flare, Body Cap - LH	1
	7415000013	Flare, Body Cap - RH	
11	4831000068	Spacer	1
12	7114141850	Capscrew, 0.25"-20NC x 2.25"	4

Eastern Wrecker Sales, Inc. - www.easternwrecker.com - 919-553-4038

FENDER FLARE ASSEMBLY - 136" CA BASE

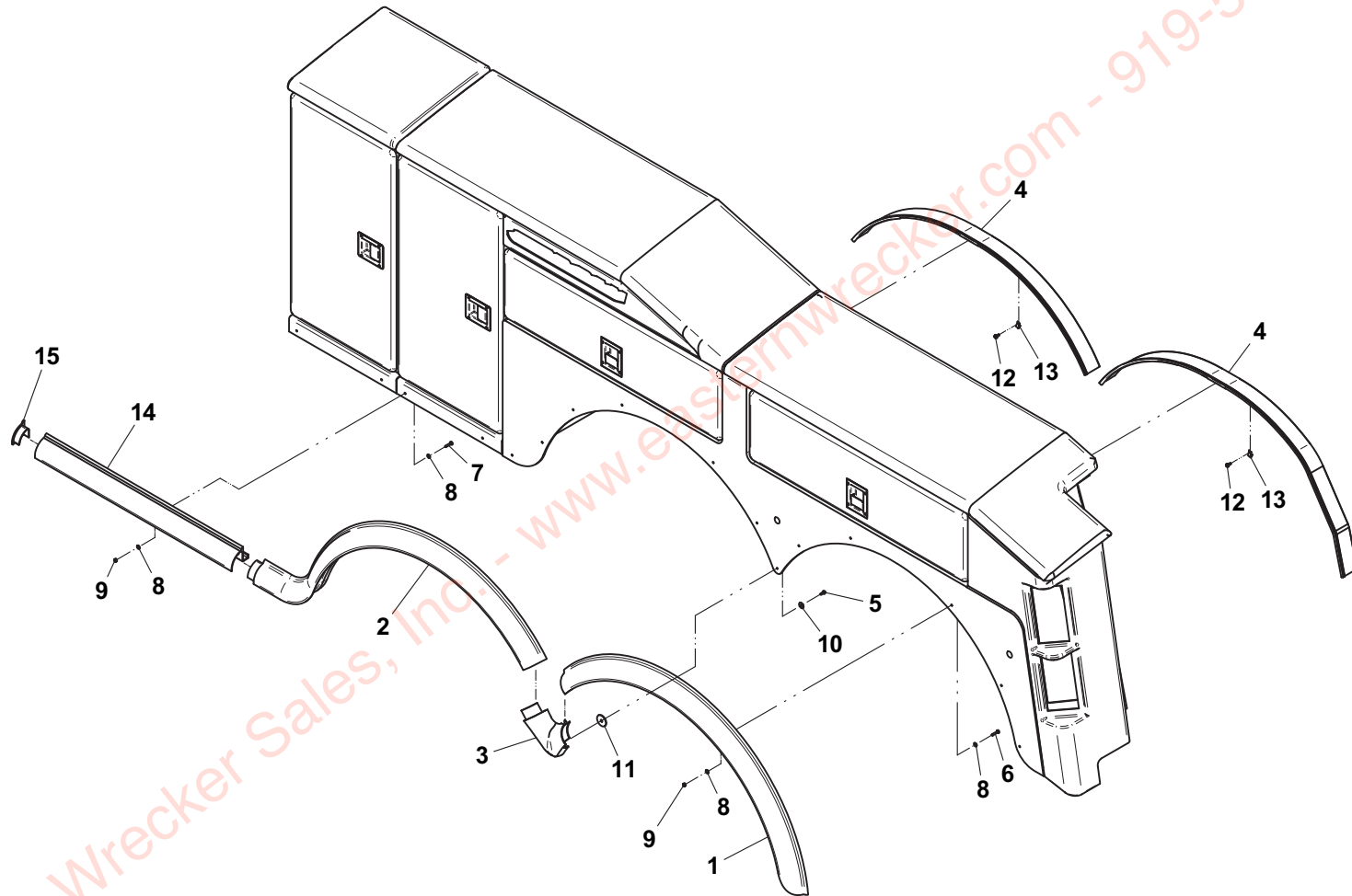


FENDER FLARE ASSEMBLY - 110" CT BASE

ITEM	PART NO.	DESCRIPTION	QTY
1	4415000019	Wheelwell Flare, Rear - LH 52" Tandem Axle Spread	1
	4415000017	Wheelwell Flare, Rear - RH 52" Tandem Axle Spread	
	4415000030	Wheelwell Flare, Rear - LH 58" Tandem Axle Spread	
	4415000028	Wheelwell Flare, Rear - RH 58" Tandem Axle Spread	
2	4415000018	Wheelwell Flare, Front - LH 52" Tandem Axle Spread	1
	4415000016	Wheelwell Flare, Front - RH 52" Tandem Axle Spread	
	4415000029	Wheelwell Flare, Front - LH 58" Tandem Axle Spread	
	4415000027	Wheelwell Flare, Front - RH 58" Tandem Axle Spread	
3	7415000010	Junction, Flare - 52" Tandem Axle Spread	1
	7415000011	Junction, Flare - 58" Tandem Axle Spread	
4	7415000032	Fender, Inner	12FT
5	7790142051	Screw, Self Tapping - 0.25" Dia x 1.25"	1
6	7111141050	Capscrew, 0.25"-20NC x 1.25"	10
7	7114141850	Capscrew, 0.25"-20NC x 2.25"	5
8	7950140151	Flatwasher, 0.25" ID	30
9	7660142604	Locknut, 0.25"-20NC	15
10	7494000022	Washer, Fender	1
11	4679000148	Pad	1
12	7790141056	Screw, Self Tapping - 0.25" Dia x 0.63"	8
13	7280000020	Wire Clip	8
14	4415000024	Flare, Body - 52" Tandem Axle Spread	1
	4415000032	Flare, Body - 58" Tandem Axle Spread	
15	7415000014	Flare, Body Cap - LH	1
	7415000013	Flare, Body Cap - RH	

www.easternwrecker.com - 919-553-4038

FENDER FLARE ASSEMBLY - 110" CT BASE



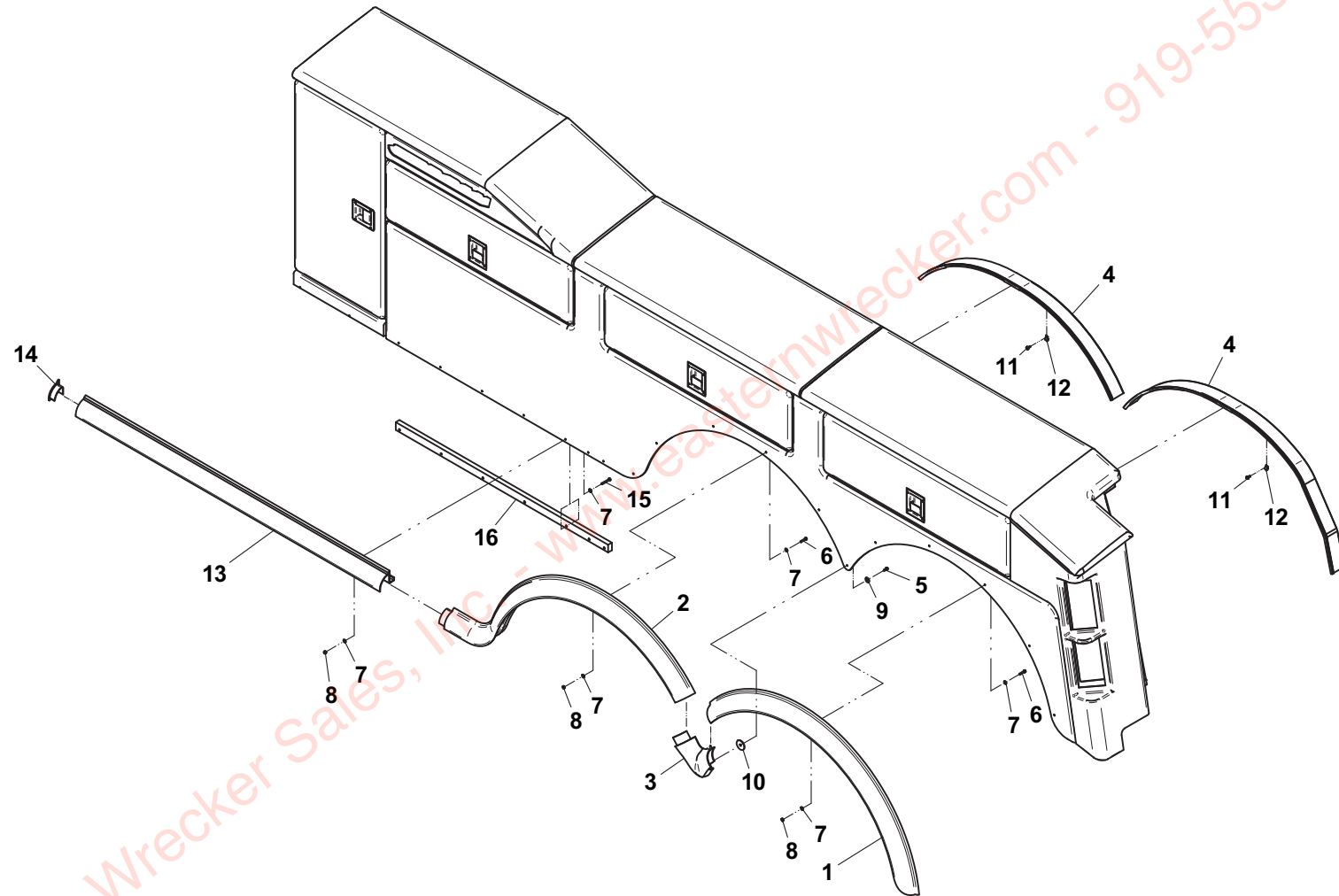
LH Body Shown

FENDER FLARE ASSEMBLY - 146" CT BASE

ITEM	PART NO.	DESCRIPTION	QTY
1	4415000019	Wheelwell Flare, Rear - LH 52" Tandem Axle Spread	1
	4415000017	Wheelwell Flare, Rear - RH 52" Tandem Axle Spread	
	4415000030	Wheelwell Flare, Rear - LH 58" Tandem Axle Spread	
	4415000028	Wheelwell Flare, Rear - RH 58" Tandem Axle Spread	
2	4415000018	Wheelwell Flare, Front - LH 52" Tandem Axle Spread	1
	4415000016	Wheelwell Flare, Front - RH 52" Tandem Axle Spread	
	4415000029	Wheelwell Flare, Front - LH 58" Tandem Axle Spread	
	4415000027	Wheelwell Flare, Front - RH 58" Tandem Axle Spread	
3	7415000010	Junction, Flare - 52" Tandem Axle Spread	1
	7415000011	Junction, Flare - 58" Tandem Axle Spread	
4	7415000032	Fender, Inner	12FT
5	7790142051	Screw, Self Tapping - 0.25" Dia x 1.25"	1
6	7111141050	Capscrew, 0.25"-20NC x 1.25"	10
7	7950140151	Flatwasher, 0.25" ID	38
8	7660142604	Locknut, 0.25"-20NC	19
9	7494000022	Washer, Fender	1
10	4679000148	Pad	1
11	7790141056	Screw, Self Tapping - 0.25" Dia x 0.63"	8
12	7280000020	Wire Clip	8
13	4415000035	Flare, Body - 52" Tandem Axle Spread	1
	4415000037	Flare, Body - 58" Tandem Axle Spread	
14	7415000014	Flare, Body Cap - LH	1
	7415000013	Flare, Body Cap - RH	
15	7114141850	Capscrew, 0.25"-20NC x 2.25"	9
16	4831000070	Spacer	1

www.easternwrecker.com - 919-553-4038

FENDER FLARE ASSEMBLY - 146" CT BASE

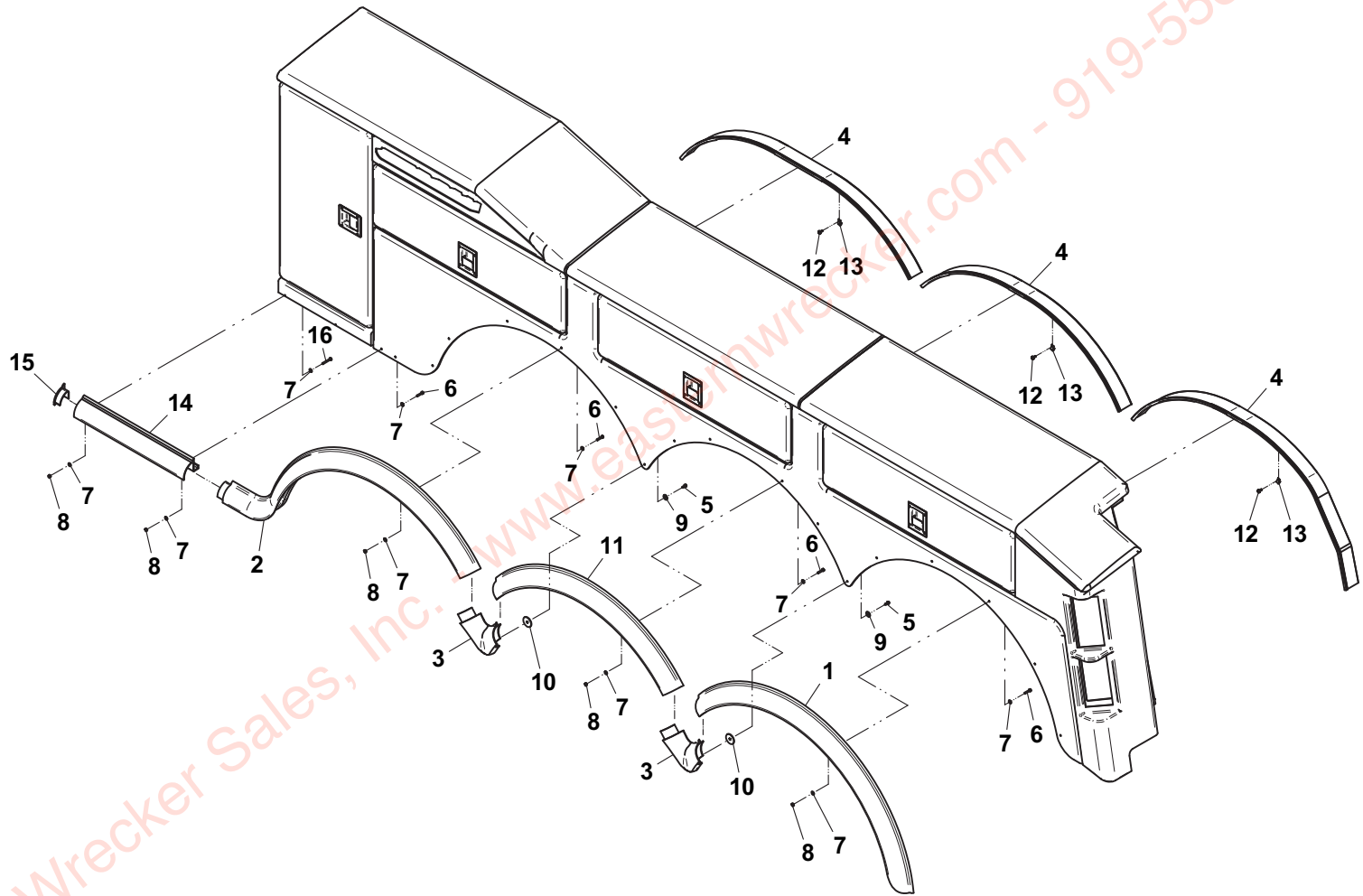


LH Body Shown

FENDER FLARE ASSEMBLY - 146" CT TRI-AXLE BASE

ITEM	PART NO.	DESCRIPTION	QTY	ITEM	PART NO.	DESCRIPTION	QTY
1	441500019	Wheelwell Flare, Rear - LH 52" Tri-Axle Spread	1	15	741500014	Flare, Body Cap - LH	1
	441500017	Wheelwell Flare, Rear - RH 52" Tri-Axle Spread		16	741500013	Flare, Body Cap - RH	
	441500030	Wheelwell Flare, Rear - LH 58" Tri-Axle Spread			7114141850	Capscrew, 0.25"-20NC x 2.25"	2
	441500028	Wheelwell Flare, Rear - RH 58" Tri-Axle Spread					
2	441500018	Wheelwell Flare, Front - LH 52" Tri-Axle Spread	1				
	441500016	Wheelwell Flare, Front - RH 52" Tri-Axle Spread					
	441500029	Wheelwell Flare, Front - LH 58" Tri-Axle Spread					
	441500027	Wheelwell Flare, Front - RH 58" Tri-Axle Spread					
3	741500010	Junction, Flare - 52" Tri-Axle Spread	2				
	741500011	Junction, Flare - 58" Tri-Axle Spread					
4	741500032	Fender, Inner	18FT				
5	7790142051	Screw, Self Tapping - 0.25" Dia x 1.25"	2				
6	7111141050	Capscrew, 0.25"-20NC x 1.25"	16				
7	7950140151	Flatwasher, 0.25" ID	36				
8	7660142604	Locknut, 0.25"-20NC	18				
9	7494000022	Washer, Fender	2				
10	4679000148	Pad	2				
11	441500043	Wheelwell Flare, Intermediate 52" Tri-Axle Spread	1				
	441500044	Wheelwell Flare, Intermediate 58" Tri-Axle Spread					
12	7790141056	Screw, Self Tapping - 0.25" Dia x 0.63"	12				
13	7280000020	Wire Clip	12				
14	441500039	Flare, Body - 52" Tandem Axle Spread	1				
	441500041	Flare, Body - 58" Tandem Axle Spread					

FENDER FLARE ASSEMBLY - 146" CT TRI-AXLE BASE



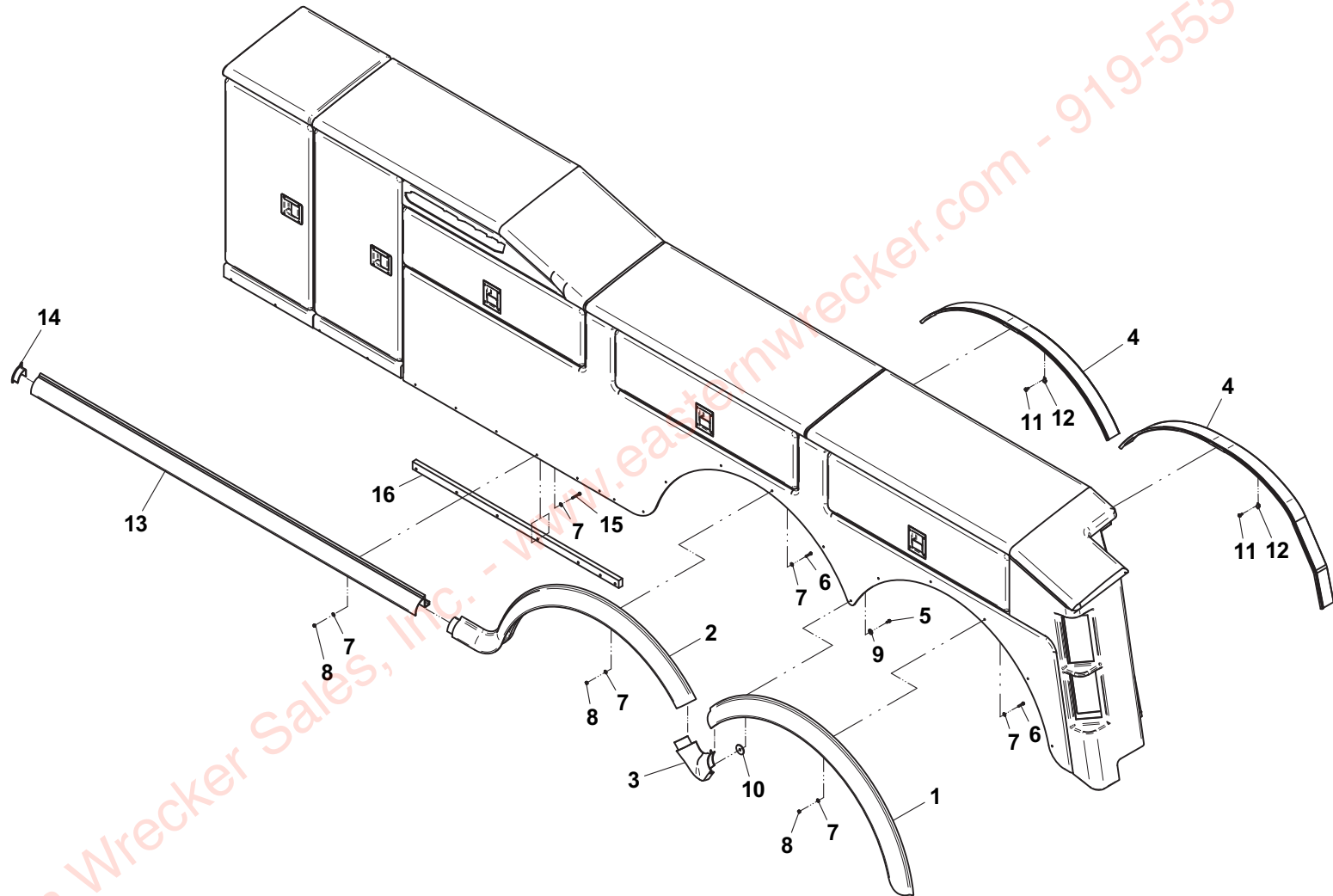
LH Body Shown

FENDER FLARE ASSEMBLY - 174" CT BASE

ITEM	PART NO.	DESCRIPTION	QTY
1	4415000019	Wheelwell Flare, Rear - LH 52" Tandem Axle Spread	1
	4415000017	Wheelwell Flare, Rear - RH 52" Tandem Axle Spread	
	4415000030	Wheelwell Flare, Rear - LH 58" Tandem Axle Spread	
	4415000028	Wheelwell Flare, Rear - RH 58" Tandem Axle Spread	
2	4415000018	Wheelwell Flare, Front - LH 52" Tandem Axle Spread	1
	4415000016	Wheelwell Flare, Front - RH 52" Tandem Axle Spread	
	4415000029	Wheelwell Flare, Front - LH 58" Tandem Axle Spread	
	4415000027	Wheelwell Flare, Front - RH 58" Tandem Axle Spread	
3	7415000010	Junction, Flare - 52" Tandem Axle Spread	1
	7415000011	Junction, Flare - 58" Tandem Axle Spread	
4	7415000032	Fender, Inner	12FT
5	7790142051	Screw, Self Tapping - 0.25" Dia x 1.25"	1
6	7111141050	Capscrew, 0.25"-20NC x 1.25"	10
7	7950140151	Flatwasher, 0.25" ID	40
8	7660142604	Locknut, 0.25"-20NC	26
9	7494000022	Washer, Fender	1
10	4679000148	Pad	1
11	7790141056	Screw, Self Tapping - 0.25" Dia x 0.63"	8
12	7280000020	Wire Clip	8
13	4415000036	Flare, Body - 52" Tandem Axle Spread	1
	4415000038	Flare, Body - 58" Tandem Axle Spread	
14	7415000014	Flare, Body Cap - LH	1
	7415000013	Flare, Body Cap - RH	
15	7114141850	Capscrew, 0.25"-20NC x 2.25"	10
16	4831000070	Spacer	1

Eastern Wrecker Sales, Inc. - www.easternwrecker.com - 919-553-4038

FENDER FLARE ASSEMBLY - 174" CT BASE

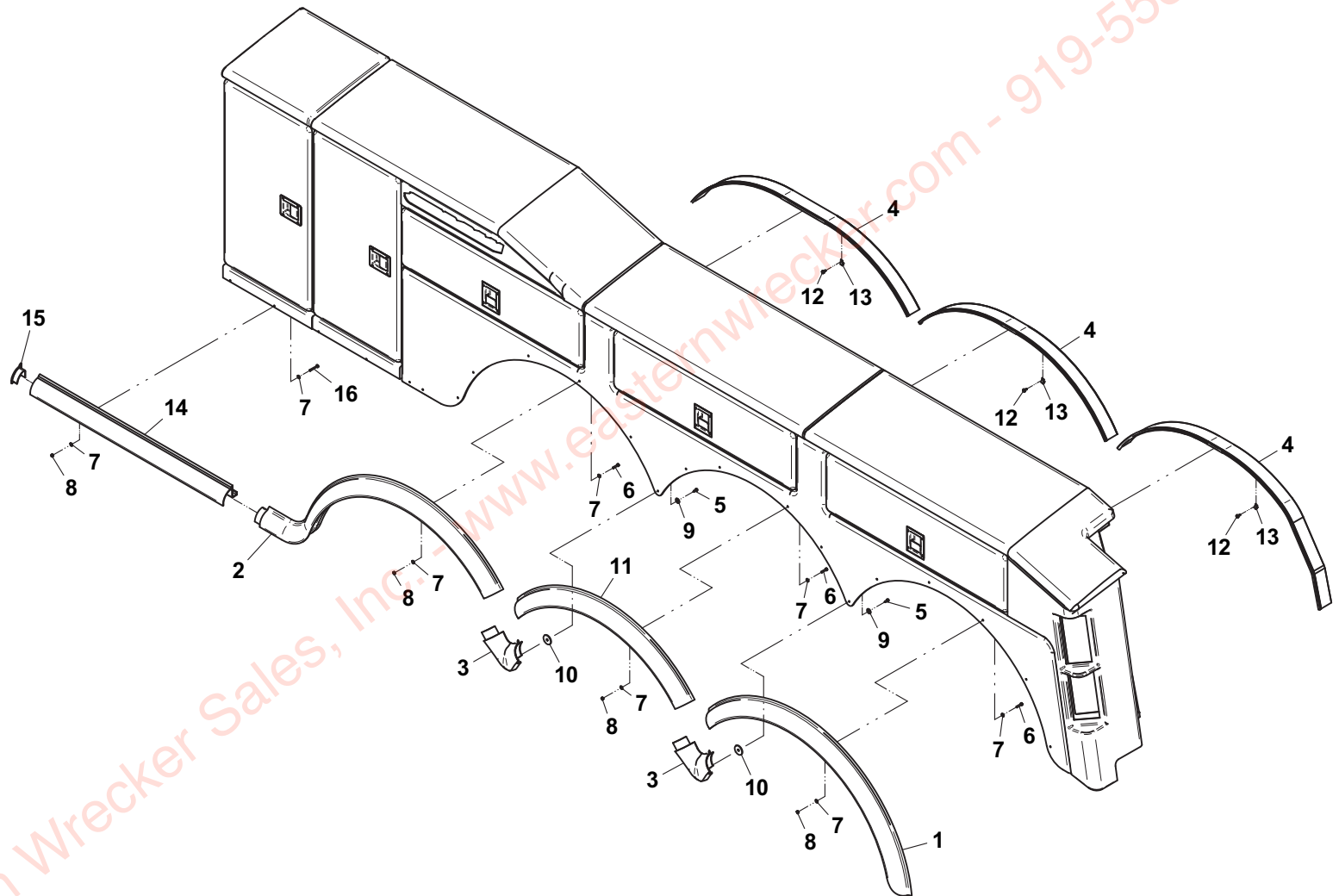


LH Body Shown

FENDER FLARE ASSEMBLY - 174" CT TRI-AXLE BASE

ITEM	PART NO.	DESCRIPTION	QTY	ITEM	PART NO.	DESCRIPTION	QTY
1	441500019	Wheelwell Flare, Rear - LH 52" Tri-Axle Spread	1	15	741500014	Flare, Body Cap - LH	1
	441500017	Wheelwell Flare, Rear - RH 52" Tri-Axle Spread		16	741500013	Flare, Body Cap - RH	
	441500030	Wheelwell Flare, Rear - LH 58" Tri-Axle Spread			7114141850	Capscrew, 0.25"-20NC x 2.25"	3
	441500028	Wheelwell Flare, Rear - RH 58" Tri-Axle Spread					
2	441500018	Wheelwell Flare, Front - LH 52" Tri-Axle Spread	1				
	441500016	Wheelwell Flare, Front - RH 52" Tri-Axle Spread					
	441500029	Wheelwell Flare, Front - LH 58" Tri-Axle Spread					
	441500027	Wheelwell Flare, Front - RH 58" Tri-Axle Spread					
3	741500010	Junction, Flare - 52" Tri-Axle Spread	2				
	741500011	Junction, Flare - 58" Tri-Axle Spread					
4	741500032	Fender, Inner	18FT				
5	7790142051	Screw, Self Tapping - 0.25" Dia x 1.25"	2				
6	7111141050	Capscrew, 0.25"-20NC x 1.25"	16				
7	7950140151	Flatwasher, 0.25" ID	38				
8	7660142604	Locknut, 0.25"-20NC	19				
9	7494000022	Washer, Fender	2				
10	4679000148	Pad	2				
11	441500043	Wheelwell Flare, Intermediate 52" Tri-Axle Spread	1				
	441500044	Wheelwell Flare, Intermediate 58" Tri-Axle Spread					
12	7790141056	Screw, Self Tapping - 0.25" Dia x 0.63"	12				
13	7280000020	Wire Clip	12				
14	441500040	Flare, Body - 52" Tandem Axle Spread	1				
	441500042	Flare, Body - 58" Tandem Axle Spread					

FENDER FLARE ASSEMBLY - 174" CT TRI-AXLE BASE

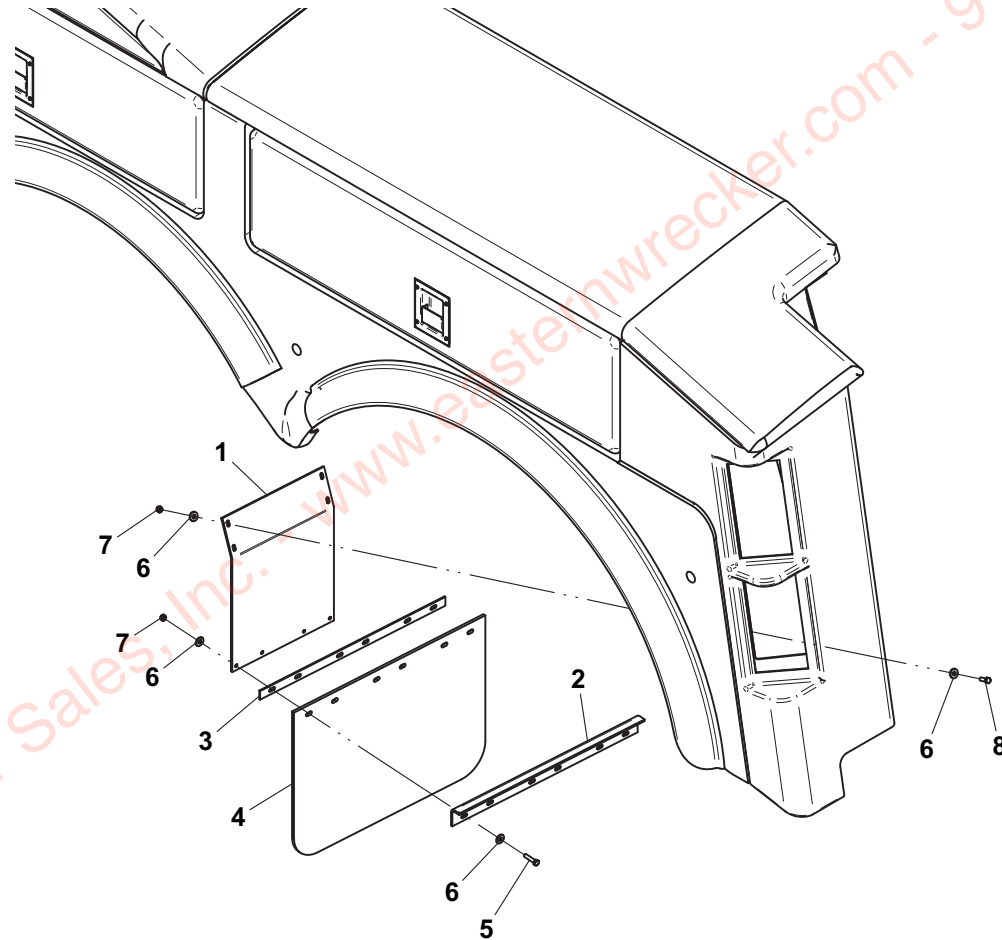


MUDFLAP INSTALLATION

ITEM	PART NO.	DESCRIPTION	QTY
1	4178000242	Bracket	2
2	4017000719	Angle	2
3	4706001815	Plate	2
4	7638000012	Mudflap	2
5	7118151250	Capscrew, 0.31"-18NC x 1.50"	12
6	7950150151	Flatwasher, 0.31" ID	40
7	7660152604	Locknut, 0.31"-18NC	20
8	7114150850	Capscrew, 0.31"-18NC x 1.00"	8

Eastern Wrecker Sales, Inc. - www.easternwrecker.com - 919-553-4038

MUDFLAP INSTALLATION

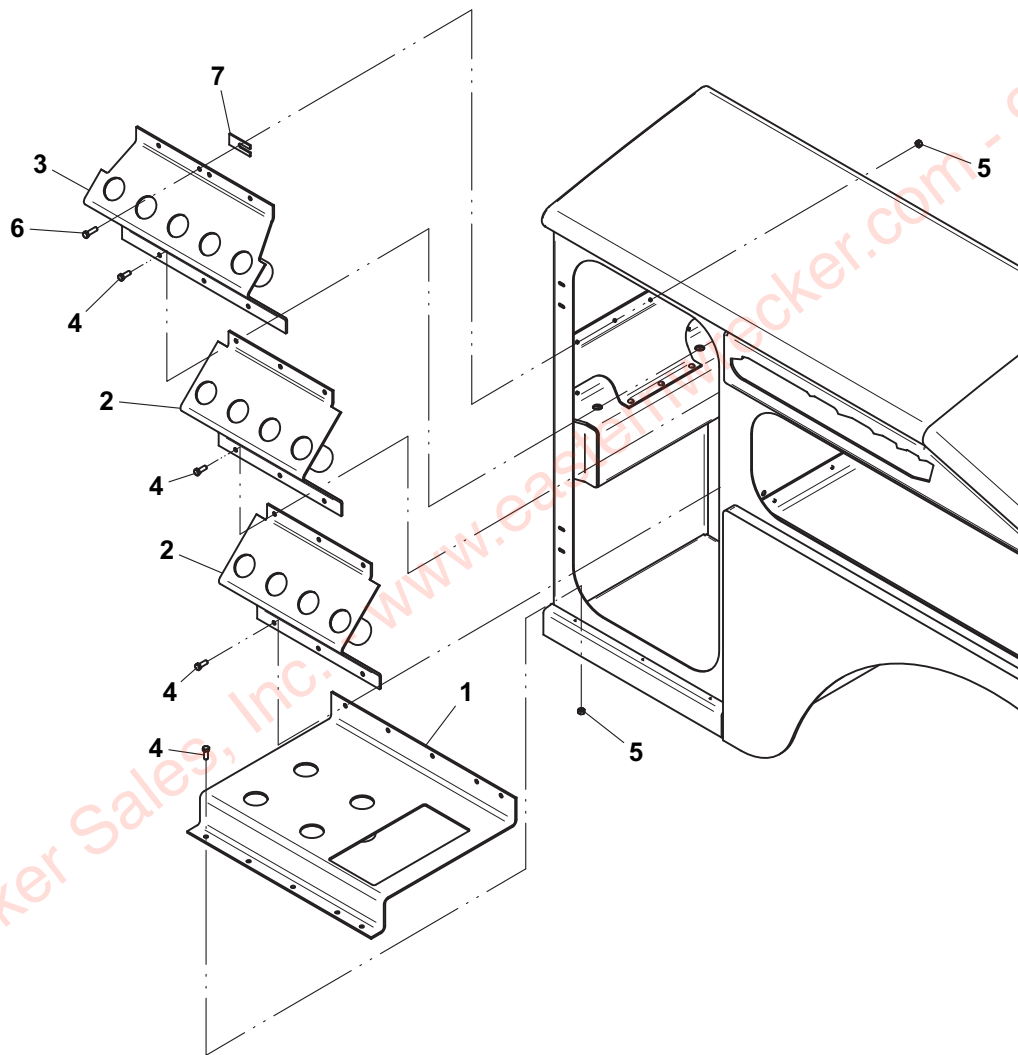


TOOL HOLDER BRACKET INSTALLATION

ITEM	PART NO.	DESCRIPTION	QTY
1	3178000222	Bracket Weldment - Base	1
2	3178000221	Bracket Weldment - Intermediate	2
3	3178000220	Bracket Weldment - Top	1
4	7115160850	Capscrew, 0.38"-16NC x 1.00"	16
5	7660160001	Nut, 0.38"-16NC	19
6	7114161050	Capscrew, 0.38"-16NC x 1.25"	3
7	4812000047	Shim	1

Eastern Wrecker Sales, Inc. - www.easternwrecker.com - 919-553-4038

TOOL HOLDER BRACKET INSTALLATION

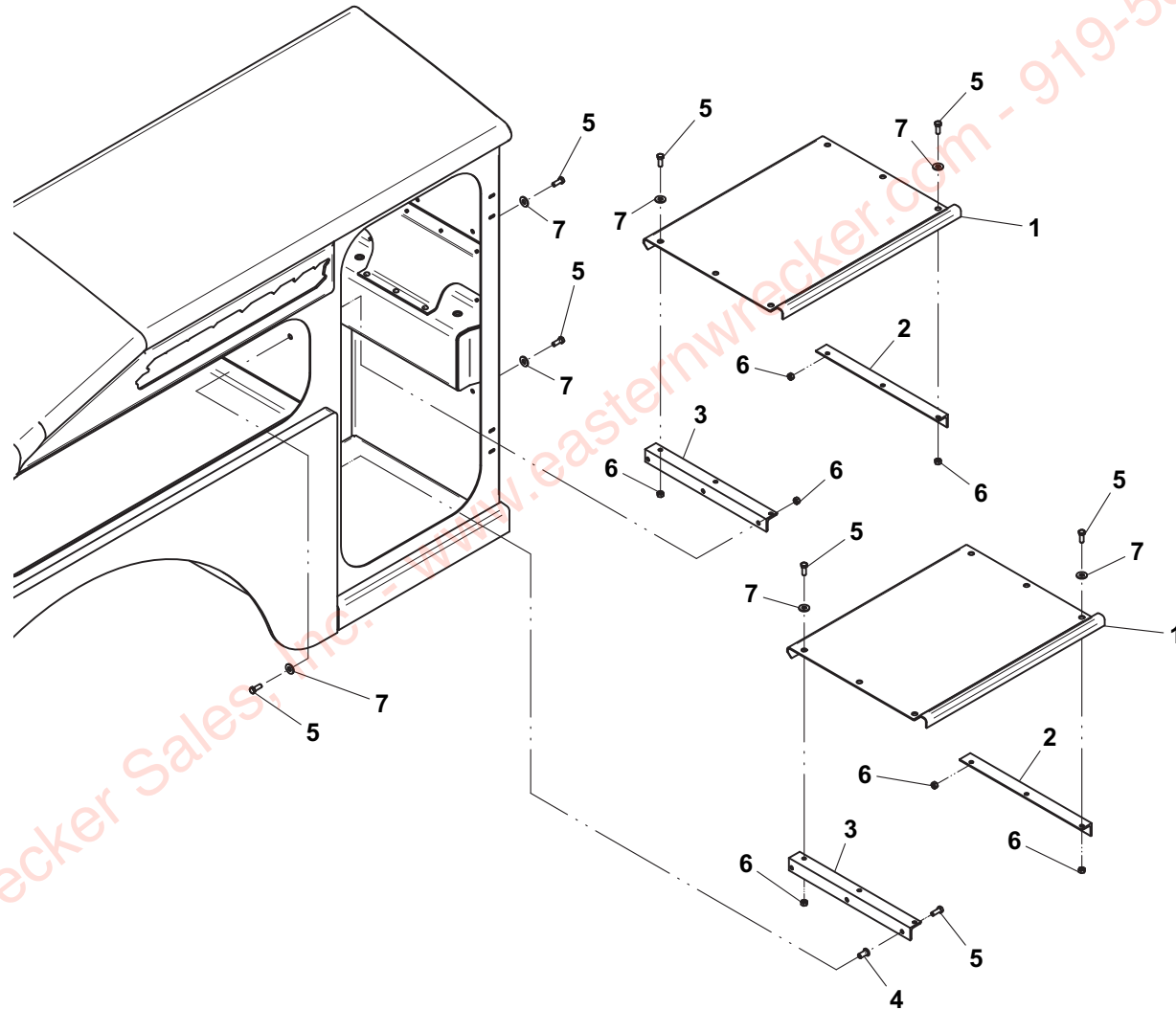


SHELF ASSEMBLY

ITEM	PART NO.	DESCRIPTION	QTY
1	4811000142	Sheet	2
2	4017000714	Angle	2
3	4017000727	Angle	2
4	7661000003	Rivnut, 0.38"-16NC	3
5	7115160850	Capscrew, 0.38"-16NC x 1.00"	24
6	7660160001	Nut, 0.38"-16NC	21
7	7950160163	Flatwasher, 0.38" ID	21

Eastern Wrecker Sales, Inc. - www.easternwrecker.com - 919-553-4038

SHELF ASSEMBLY

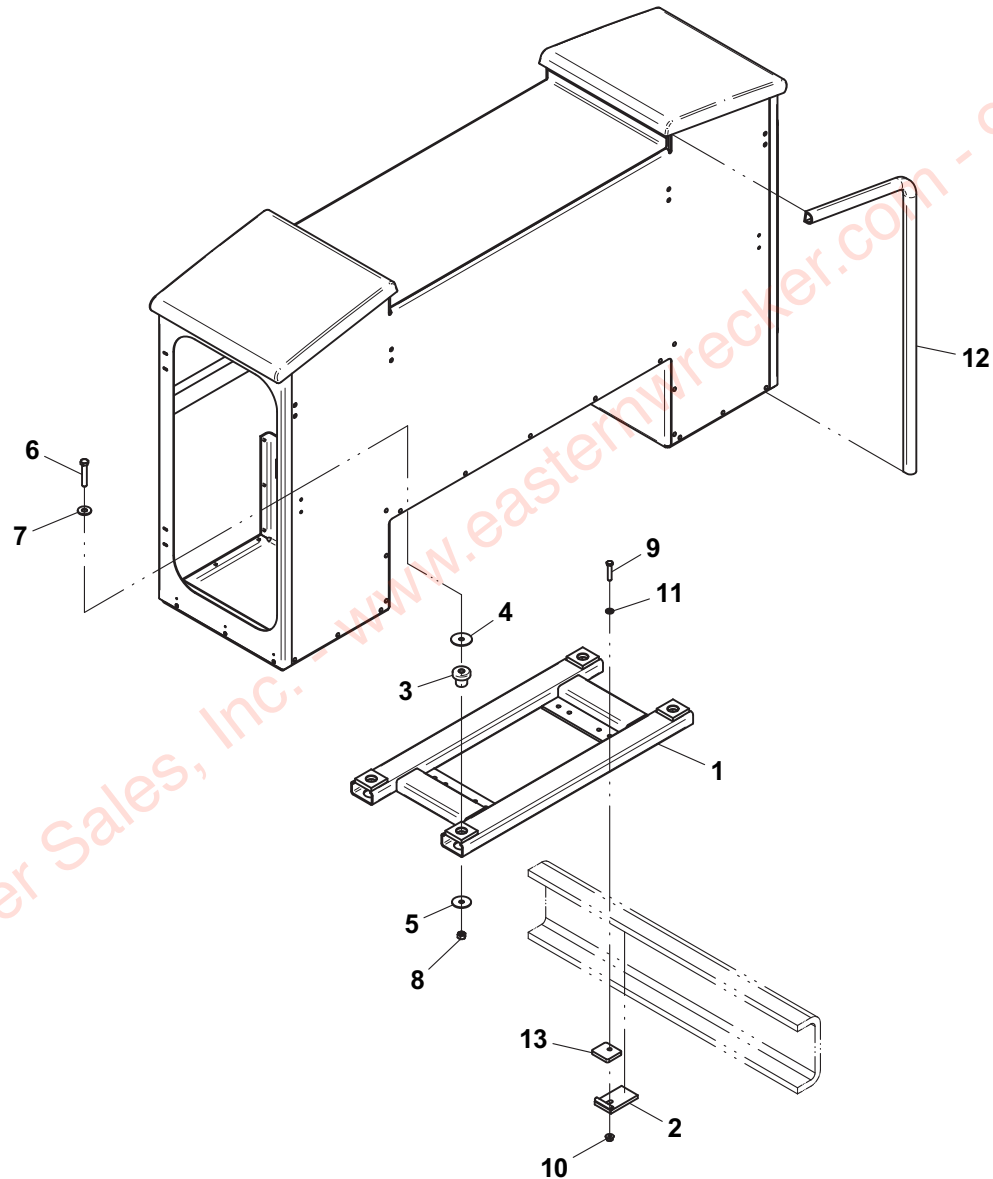


24" TUNNEL TOOL COMPARTMENT INSTALLATION

ITEM	PART NO.	DESCRIPTION	QTY
1	3911000067	Mount, Tube Weldment	1
2	3274000011	Clamp Weldment	4
3	7636000008	Rubber Mount	4
4	7949000019	Washer, Snub Head	16
5	7949000020	Washer, Snub Tail	4
6	7115202850	Capscrew, 0.63"-11NC x 3.50"	4
7	7590200161	Flatwasher, 0.63" ID	4
8	7660200001	Nut, 0.63"-11NC	4
9	7115182050	Capscrew, 0.50"-13NC x 2.50"	4
10	7660182301	Locknut, 0.50"-13NC	4
11	7950180252	Flatwasher, 0.50" ID	4
12	8632000011	Seal, Rubber "D"	12FT
13	4705000705	Plate	4

Eastern Wrecker Sales, Inc. - www.easternwrecker.com - 919-553-4038

24" TUNNEL TOOL COMPARTMENT INSTALLATION



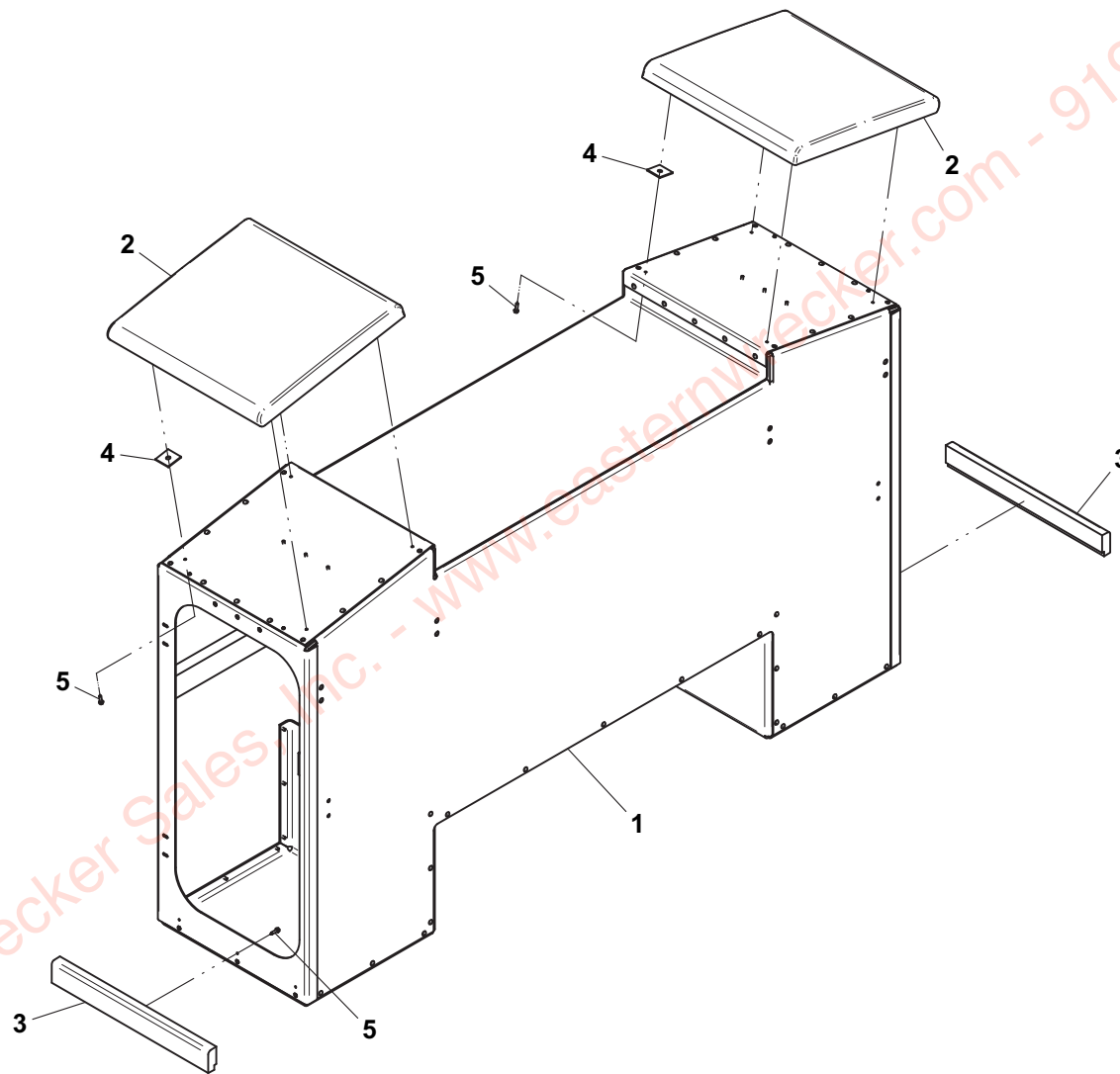
Toolbox Doors not Shown For Clarity

24" TUNNEL TOOL COMPARTMENT PANEL ASSEMBLY

ITEM	PART NO.	DESCRIPTION	QTY
1	3503740030	Bonding Assembly	1
2	7686000008	Cap Panel	2
3	7686000031	Filler Strip Panel	2
4	4679000120	Pad, Rubber - 0.12" Thk	8
5	7790141651	Screw, Self Tapping - 0.25" Dia x 1.00"	14

Eastern Wrecker Sales, Inc. - www.easternwrecker.com - 919-553-4038

24" TUNNEL TOOL COMPARTMENT PANEL ASSEMBLY

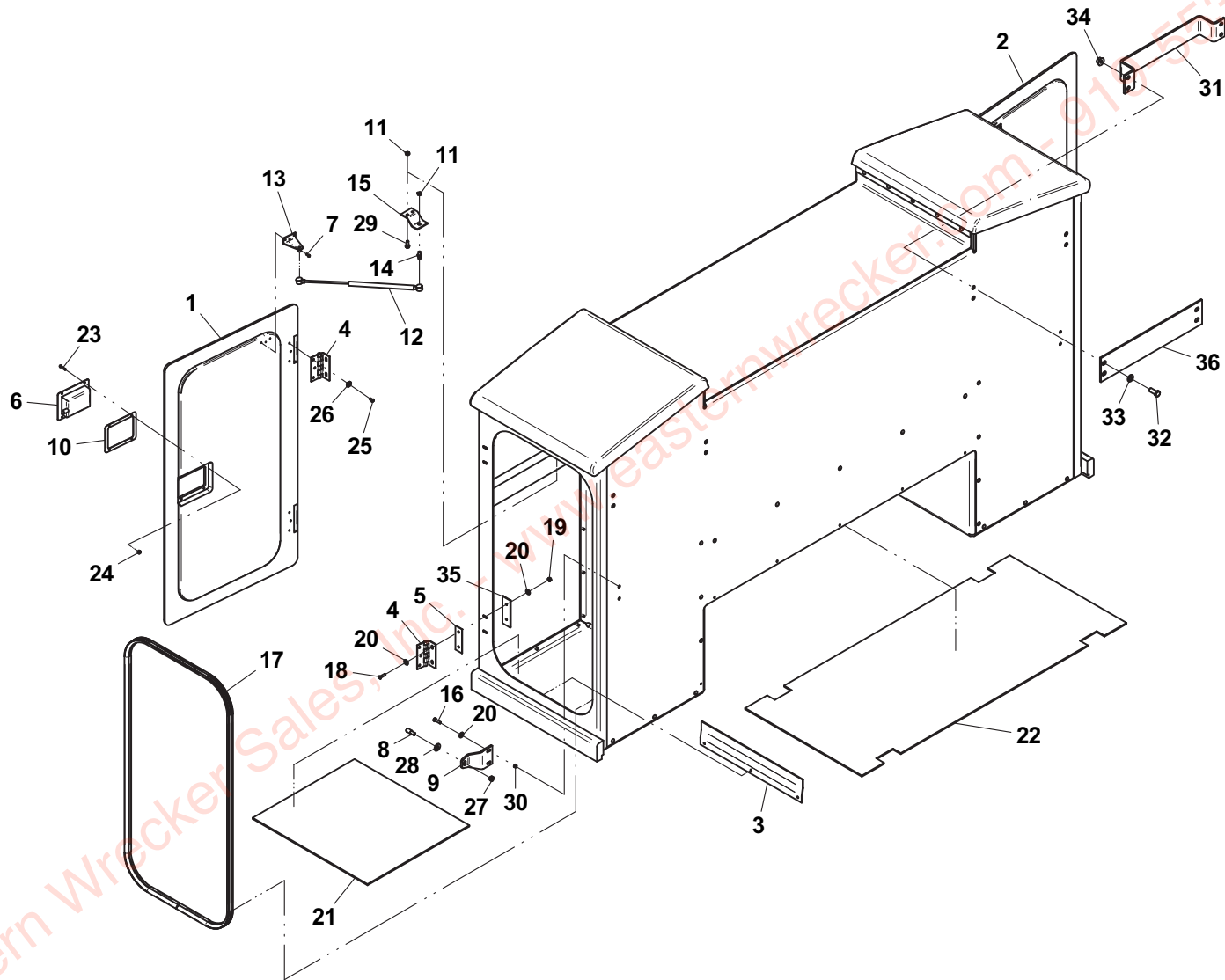


24" TUNNEL TOOL COMPARTMENT DOOR AND HARDWARE ASSEMBLY

ITEM	PART NO.	DESCRIPTION	QTY	ITEM	PART NO.	DESCRIPTION	QTY
1	4686000072	Door Panel - LH	1	31	4178000229	Bracket	4
2	4686000073	Door Panel - RH	1	32	7115181050	Capscrew, 0.50"-13NC x 1.25"	16
3	4811000135	Sheet	2	33	7950180153	Flatwasher, 0.50" ID	16
4	7555000002	Hinge	4	34	7660182301	Locknut, 0.50"-13NC	16
5	4812000052	Shim	4	35	4062000173	Bar	4
6	7595000005	Latch, 2 Stage Rotary	2	36	4811000947	Sheet	4
7	7114100418	Capscrew, #10-24NC x 0.50"	6				
8	7585000009	Latch Striker	2				
9	4178000222	Bracket	2				
10	7796000038	Gasket	2				
11	7660152604	Locknut, 0.31"-18NC	7				
12	7843000020	Gas Spring - 6.00" Stroke	2				
13	7178000023	Bracket, Ball Stud	2				
14	7865000001	Ball Stud	2				
15	4178000240	Bracket	2				
16	7114140850	Capscrew, 0.25"-20NC x 1.00"	4				
17	4632000012	Seal, Vertical Door	2				
18	7114140818	Capscrew, 0.25"-20NC x 1.00"	8				
19	7660142604	Locknut, 0.25"-20NC	8				
20	7950140163	Flatwasher, 0.25 ID	20				
21	4679000115	Pad, Rubber	2				
22	4679000116	Pad, Rubber	1				
23	7114100818	Capscrew, #10-24NC x 1.00	8				
24	7660102604	Locknut, #10-24NC	8				
25	7114140418	Capscrew, 0.25"-20NC x 0.50"	12				
26	7950140503	Lockwasher, 0.25" ID	12				
27	7660162604	Locknut, 0.38"-16NC	2				
28	7950160163	Flatwasher, 0.38" ID	2				
29	7114150650	Capscrew, 0.31"-18NC x 0.75"	4				
30	7413000002	Nutsert, 0.25"-20 NC	4				

www.easternwrecker.com - 955-553-4038

24" TUNNEL TOOL COMPARTMENT DOOR AND HARDWARE ASSEMBLY

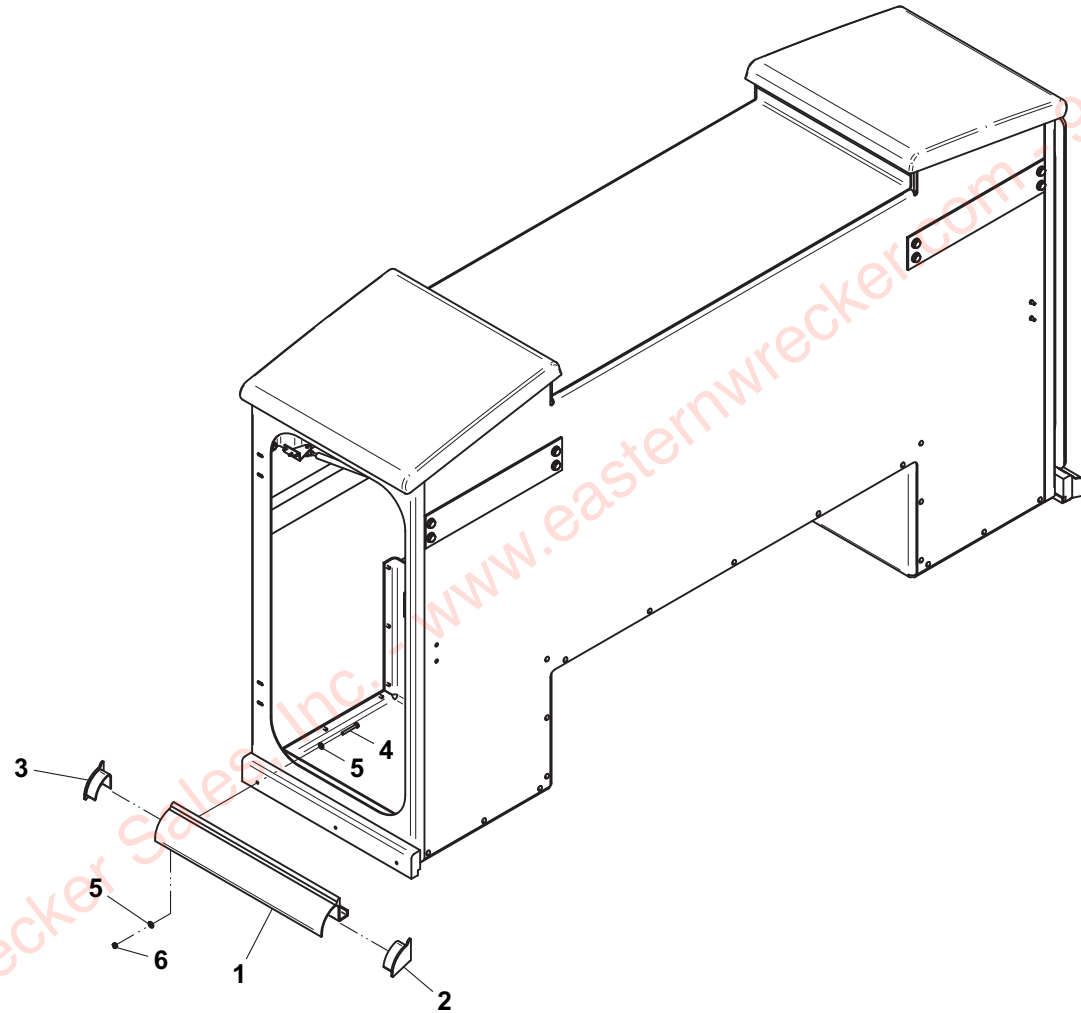


24" TUNNEL TOOL COMPARTMENT FENDER FLARE ASSEMBLY

ITEM	PART NO.	DESCRIPTION	QTY
1	4415000045	Flare, Body	2
2	7415000014	Flare, Body Cap - LH	2
3	7415000013	Flare, Body Cap - RH	2
4	7114141850	Capscrew, 0.25"-20NC x 2.25"	6
5	7950140151	Flatwasher, 0.25" ID	12
6	7660142604	Locknut, 0.25"-20NC	6

Eastern Wrecker Sales, Inc. - www.easternwrecker.com - 919-553-4038

24" TUNNEL TOOL COMPARTMENT FENDER FLARE ASSEMBLY

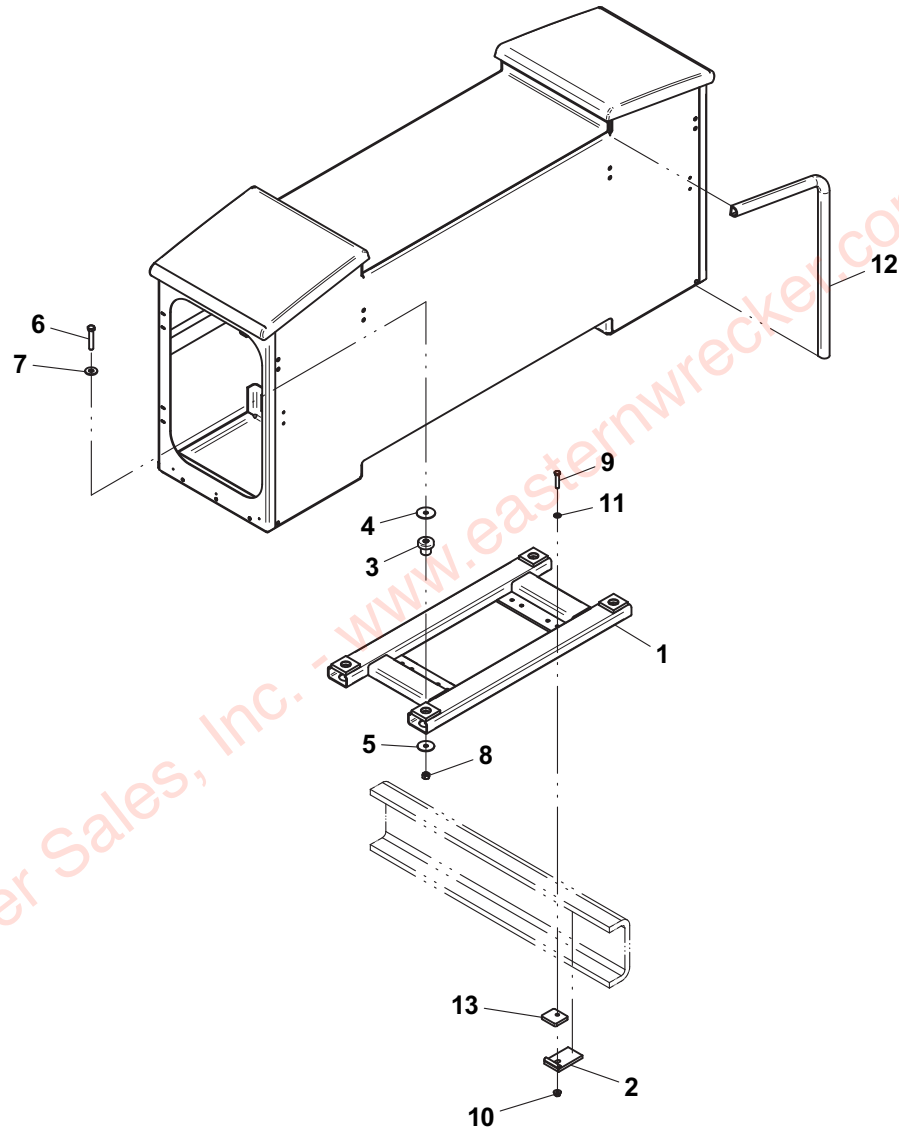


24" 3/4 HEIGHT TUNNEL TOOL COMPARTMENT INSTALLATION

ITEM	PART NO.	DESCRIPTION	QTY
1	3911000067	Mount, Tube Weldment	1
2	3274000011	Clamp Weldment	4
3	7636000008	Rubber Mount	4
4	7949000019	Washer, Snub Head	16
5	7949000020	Washer, Snub Tail	4
6	7115202850	Capscrew, 0.63"-11NC x 3.50"	4
7	7950200161	Flatwasher, 0.63" ID	4
8	7660200001	Nut, 0.63"-11NC	4
9	7115182050	Capscrew, 0.50"-13NC x 2.50"	4
10	7660182301	Locknut, 0.50"-13NC	4
11	7950180252	Flatwasher, 0.50" ID	4
12	8632000011	Seal, Rubber "D"	10FT
13	4705000705	Plate	4

Eastern Wrecker Sales, Inc. - www.easternwrecker.com - 919-553-4038

24" 3/4 HEIGHT TUNNEL TOOL COMPARTMENT INSTALLATION



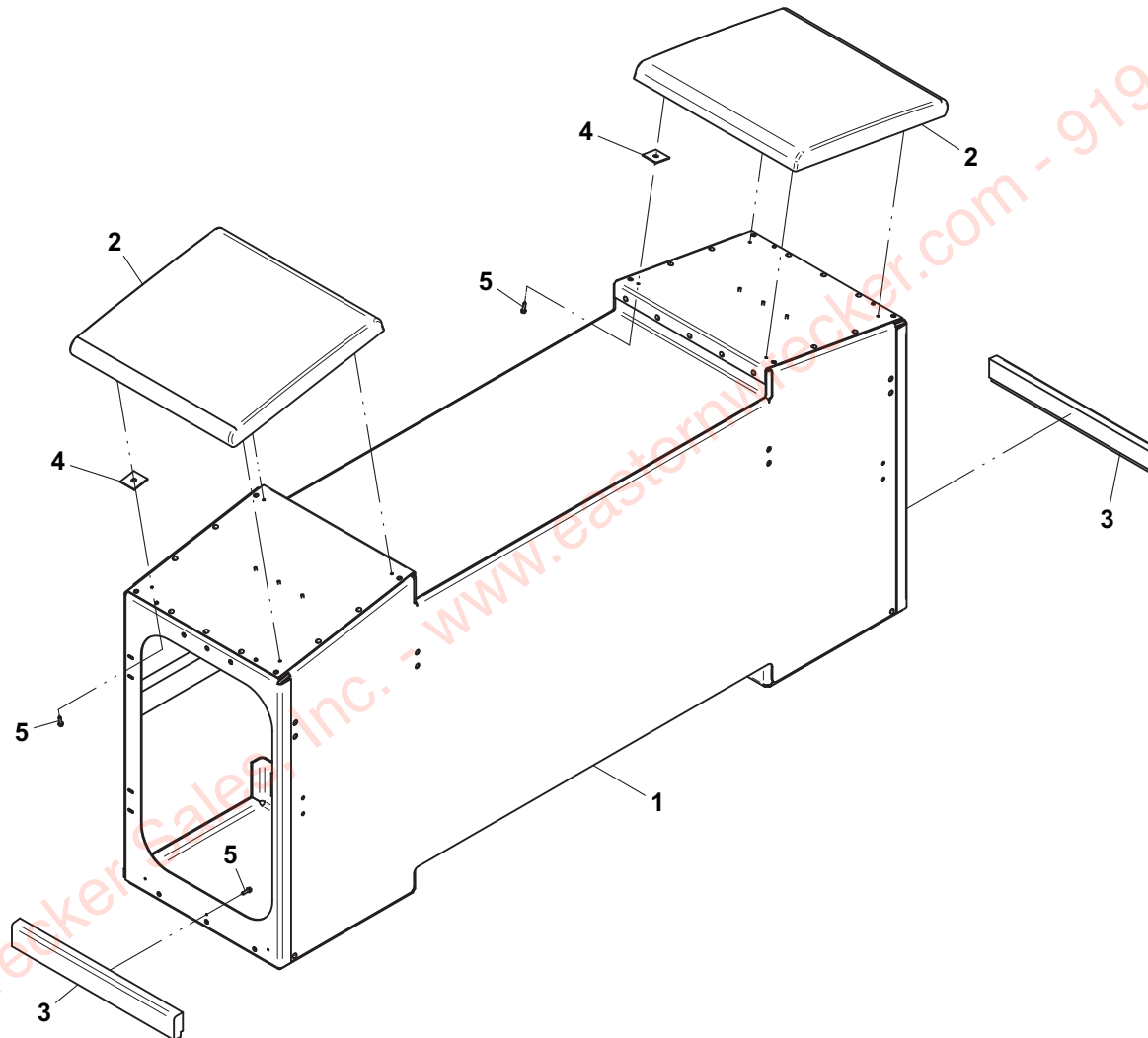
Toolbox Doors not Shown For Clarity

24" 3/4 HEIGHT TUNNEL TOOL COMPARTMENT PANEL ASSEMBLY

ITEM	PART NO.	DESCRIPTION	QTY
1	3503740015	Bonding Assembly	1
2	7686000008	Cap Panel	2
3	7686000019	Filler Strip Panel	2
4	4679000120	Pad, Rubber - 0.12" Thk	8
5	7790141651	Screw, Self Tapping - 0.25" Dia x 1.00"	14

Eastern Wrecker Sales, Inc. - www.easternwrecker.com - 919-553-4038

24" 3/4 HEIGHT TUNNEL TOOL COMPARTMENT PANEL ASSEMBLY

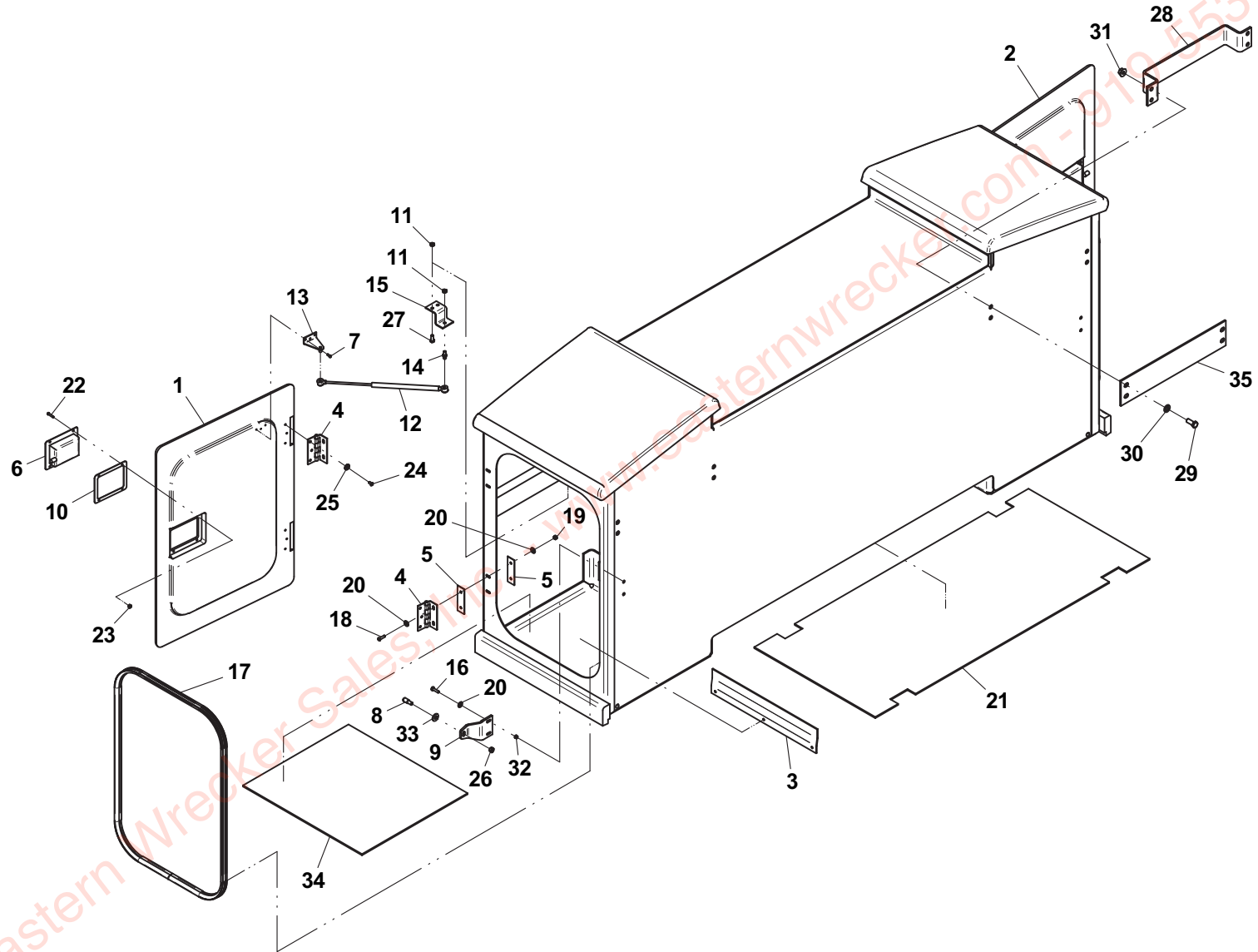


24" 3/4 HEIGHT TUNNEL TOOL COMPARTMENT DOOR AND HARDWARE ASSEMBLY

ITEM	PART NO.	DESCRIPTION	QTY	ITEM	PART NO.	DESCRIPTION	QTY
1	4686000085	Door Panel - LH	1	31	7660182301	Locknut, 0.50"-13NC	16
2	4686000086	Door Panel - RH	1	32	7413000002	Nutsert, 0.25"-20NC	4
3	4811000135	Sheet	2	33	7950160163	Flatwasher, 0.38" ID	2
4	7555000002	Hinge	4	34	4679000115	Pad, Rubber	2
5	4812000052	Shim	4	35	4811000947	Sheet	4
6	7595000005	Latch, 2 Stage Rotary	2				
7	7114100418	Capscrew, #10-24NC x 0.50"	6				
8	7585000009	Latch Striker	2				
9	4178000222	Bracket	2				
10	7796000038	Gasket	2				
11	7660152604	Locknut, 0.31"-18NC	6				
12	7843000020	Gas Spring - 6.00" Stroke	2				
13	7178000023	Bracket, Ball Stud	2				
14	7865000001	Ball Stud	2				
15	4178000250	Bracket	2				
16	7114140850	Capscrew, 0.25"-20NC x 1.00"	4				
17	4632000014	Seal, Vertical Door	2				
18	7114140818	Capscrew, 0.25"-20NC x 1.00"	8				
19	7660142604	Locknut, 0.25"-20NC	8				
20	7950140163	Flatwasher, 0.25 ID	20				
21	4679000116	Pad, Rubber	1				
22	7114100818	Capscrew, #10-24NC x 1.00	8				
23	7660102604	Locknut, #10-24NC	8				
24	7114140418	Capscrew, 0.25"-20NC x 0.50"	12				
25	7950140503	Lockwasher, 0.25" ID	12				
26	7660162604	Locknut, 0.38"-16NC	2				
27	7114150650	Capscrew, 0.31"-18NC x 0.75"	4				
28	4178000229	Bracket	4				
29	7115181050	Capscrew, 0.50"-13NC x 1.25"	16				
30	7950180153	Flatwasher, 0.50" ID	16				

Eastern Wrecker Sales, Inc. - www.easternwrecker.com - 919-553-4038

24" 3/4 HEIGHT TUNNEL TOOL COMPARTMENT DOOR AND HARDWARE ASSEMBLY

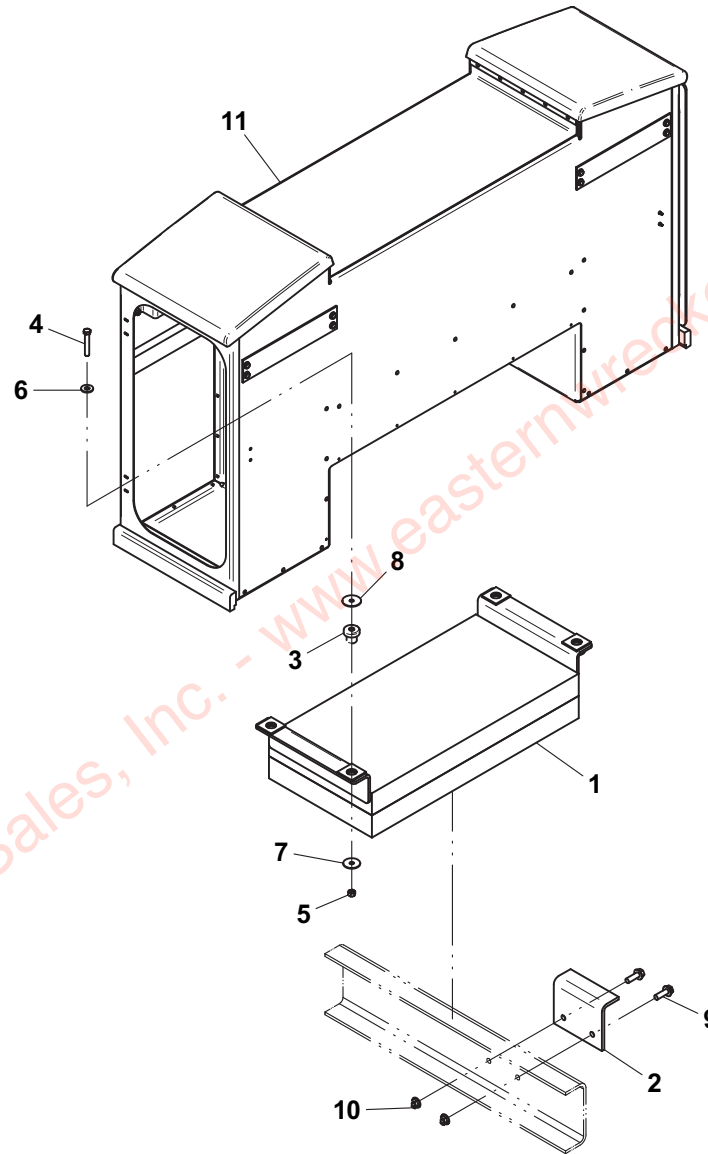


24" COUNTERWEIGHTED TUNNEL TOOL COMPARTMENT INSTALLATION

ITEM	PART NO.	DESCRIPTION	QTY
1	3502740204	Counterweight Weldment - 2,000 lbs.	1
	3502740205	Counterweight Weldment - 3,000 lbs.	
2	4017001476	Angle	2
3	7636000008	Rubber Mount	4
4	7115203250	Capscrew, 0.63"-11NC x 4.00"	4
5	7660200001	Nut, 0.63"-11NC	4
6	7950200161	Flatwasher, 0.63" ID	4
7	7949000020	Washer, Snub Tail	4
8	7949000019	Washer, Snub Head	12
9	7118221816	Capscrew, 0.75"-10NC x 2.25"	4
10	7660222308	Locknut, 0.75"-10NC	4
11	3899000134	Toolbox Assembly	1

Eastern Wrecker Sales, Inc. - www.easternwrecker.com - 919-553-4038

24" COUNTERWEIGHTED TUNNEL TOOL COMPARTMENT INSTALLATION



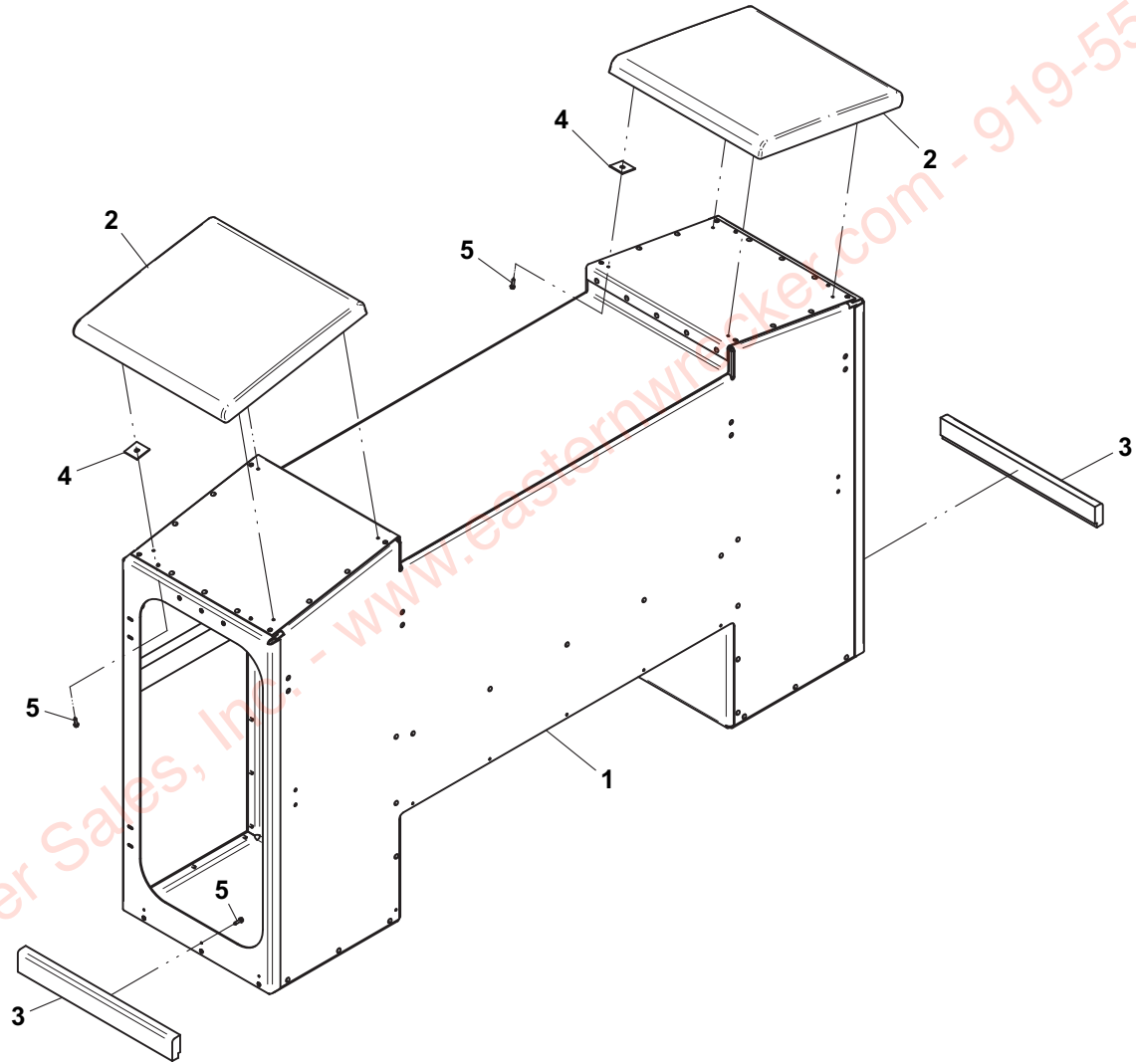
Toolbox Doors not Shown For Clarity

24" COUNTERWEIGHTED TUNNEL TOOL COMPARTMENT PANEL ASSEMBLY

ITEM	PART NO.	DESCRIPTION	QTY
1	3503740037	Bonding Assembly	1
2	7686000008	Cap Panel	2
3	7686000031	Filler Strip Panel	2
4	4679000120	Pad, Rubber - 0.12" Thk	8
5	7790141651	Screw, Self Tapping - 0.25" Dia x 1.00"	14

Eastern Wrecker Sales, Inc. - www.easternwrecker.com - 919-553-4038

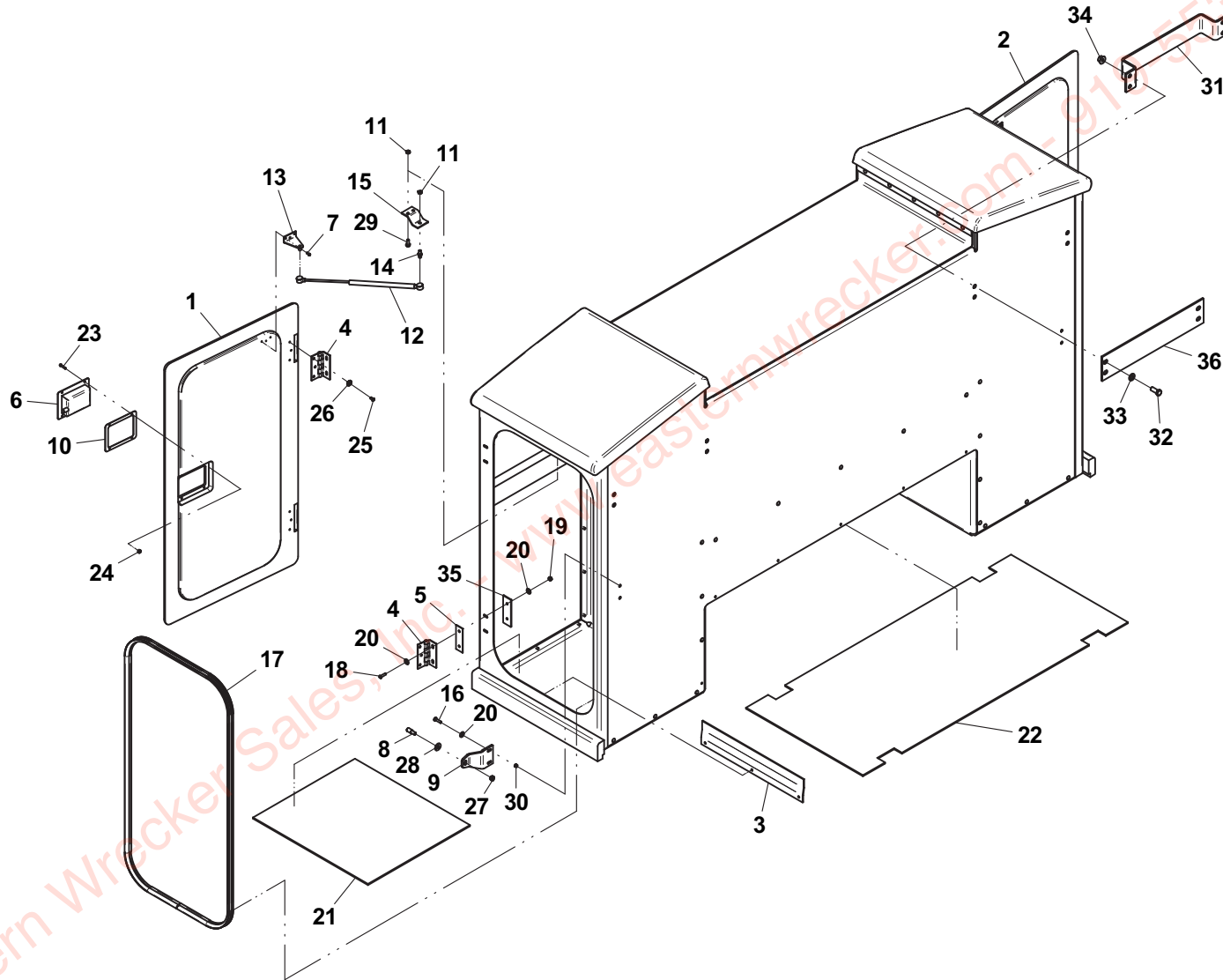
24" COUNTERWEIGHTED TUNNEL TOOL COMPARTMENT PANEL ASSEMBLY



24" COUNTERWEIGHTED TUNNEL TOOL COMPARTMENT DOOR AND HARDWARE ASSEMBLY

ITEM	PART NO.	DESCRIPTION	QTY	ITEM	PART NO.	DESCRIPTION	QTY
1	4686000072	Door Panel - LH	1	31	4178000229	Bracket	4
2	4686000073	Door Panel - RH	1	32	7115181050	Capscrew, 0.50"-13NC x 1.25"	16
3	4811000135	Sheet	2	33	7950180153	Flatwasher, 0.50" ID	16
4	7555000002	Hinge	4	34	7660182301	Locknut, 0.50"-13NC	16
5	4812000052	Shim	4	35	4062000173	Bar	4
6	7595000005	Latch, 2 Stage Rotary	2	36	4811000947	Sheet	4
7	7114100418	Capscrew, #10-24NC x 0.50"	6				
8	7585000009	Latch Striker	2				
9	4178000222	Bracket	2				
10	7796000038	Gasket	2				
11	7660152604	Locknut, 0.31"-18NC	7				
12	7843000020	Gas Spring - 6.00" Stroke	2				
13	7178000023	Bracket, Ball Stud	2				
14	7865000001	Ball Stud	2				
15	4178000240	Bracket	2				
16	7114140850	Capscrew, 0.25"-20NC x 1.00"	4				
17	4632000012	Seal, Vertical Door	2				
18	7114140818	Capscrew, 0.25"-20NC x 1.00"	8				
19	7660142604	Locknut, 0.25"-20NC	8				
20	7950140163	Flatwasher, 0.25 ID	20				
21	4679000115	Pad, Rubber	2				
22	4679000116	Pad, Rubber	1				
23	7114100818	Capscrew, #10-24NC x 1.00	8				
24	7660102604	Locknut, #10-24NC	8				
25	7114140418	Capscrew, 0.25"-20NC x 0.50"	12				
26	7950140503	Lockwasher, 0.25" ID	12				
27	7660162604	Locknut, 0.38"-16NC	2				
28	7950160163	Flatwasher, 0.38" ID	2				
29	7114150650	Capscrew, 0.31"-18NC x 0.75"	4				
30	7413000002	Nutsert, 0.25"-20 NC	4				

24" COUNTERWEIGHTED TUNNEL TOOL COMPARTMENT DOOR AND HARDWARE ASSEMBLY

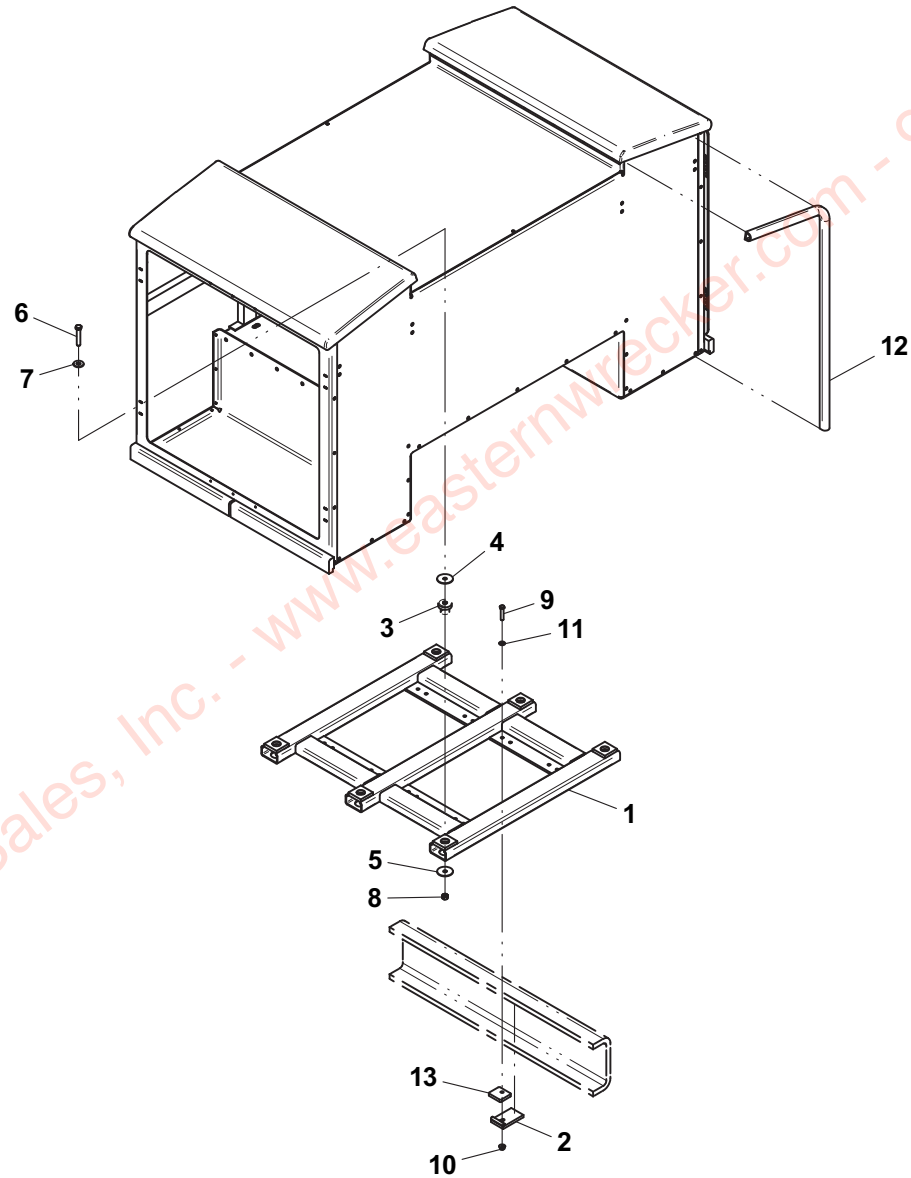


49" TUNNEL TOOL COMPARTMENT INSTALLATION

ITEM	PART NO.	DESCRIPTION	QTY
1	3911000068	Mount, Tube Weldment	1
2	3274000011	Clamp Weldment	8
3	7636000008	Rubber Mount	6
4	7949000019	Washer, Snub Head	24
5	7949000020	Washer, Snub Tail	6
6	7115202850	Capscrew, 0.63"-11NC x 3.50"	6
7	7590200161	Flatwasher, 0.63" ID	6
8	7660200001	Nut, 0.63"-11NC	6
9	7115182050	Capscrew, 0.50"-13NC x 2.50"	8
10	7660182301	Locknut, 0.50"-13NC	8
11	7950180252	Flatwasher, 0.50" ID	8
12	8632000011	Seal, Rubber "D"	12FT
13	4705000705	Plate	8

Eastern Wrecker Sales, Inc. - www.easternwrecker.com - 919-553-4038

49" TUNNEL TOOL COMPARTMENT INSTALLATION



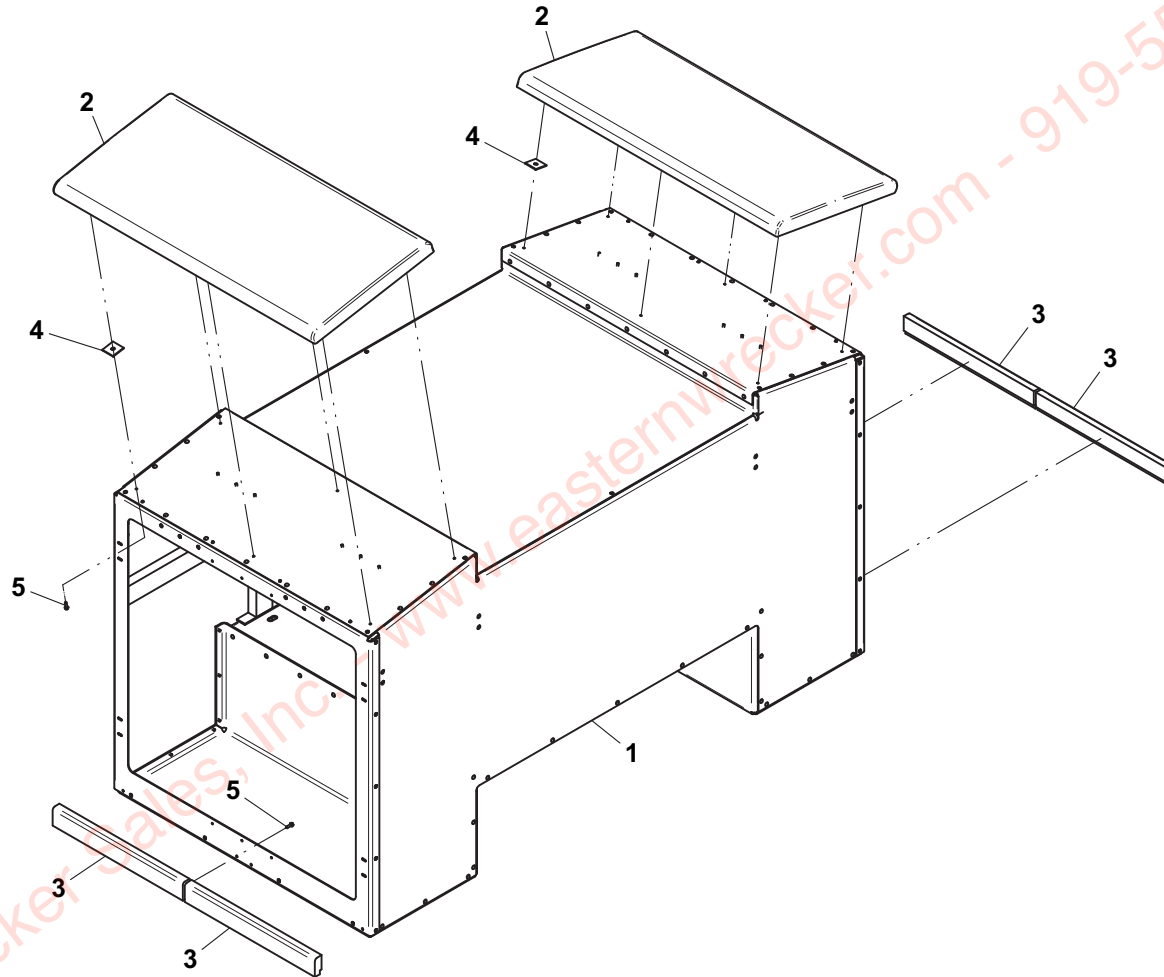
Toolbox Doors not Shown For Clarity

49" TUNNEL TOOL COMPARTMENT PANEL ASSEMBLY

ITEM	PART NO.	DESCRIPTION	QTY
1	3502740106	Bonding Assembly	1
	3502740175	Bonding Assembly (For Forward Mounted Headboards)	
2	7686000050	Cap Panel	2
3	7686000031	Filler Strip Panel	4
4	4679000120	Pad, Rubber - 0.12" Thk	12
5	7790141651	Screw, Self Tapping - 0.25" Dia x 1.00"	20

Eastern Wrecker Sales, Inc. - www.easternwrecker.com - 919-553-4038

49" TUNNEL TOOL COMPARTMENT PANEL ASSEMBLY

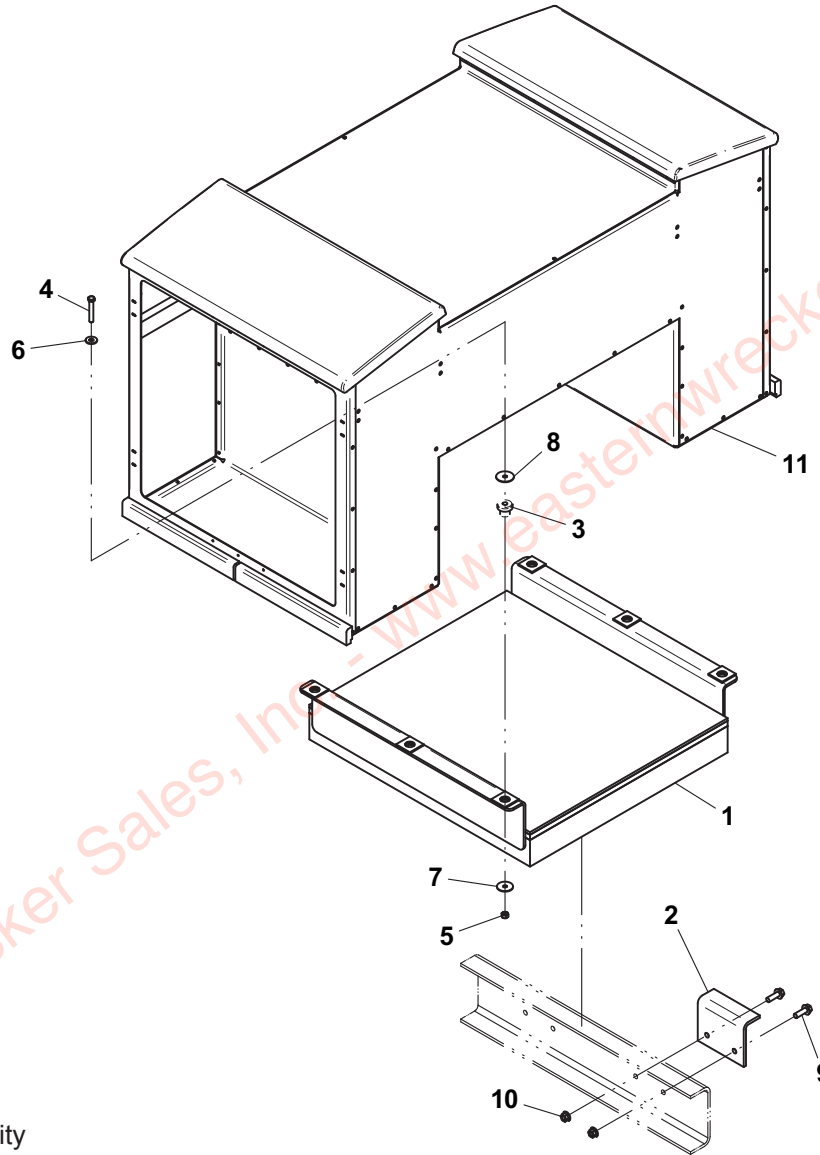


49" COUNTERWEIGHTED TUNNEL TOOL COMPARTMENT INSTALLATION

ITEM	PART NO.	DESCRIPTION	QTY
1	3502740200	Counterweight Weldment - 3,000 lbs.	1
	3502740201	Counterweight Weldment - 3,500 lbs.	
	3502740202	Counterweight Weldment - 4,500 lbs.	
	3502740203	Counterweight Weldment - 6,500 lbs.	
2	4017001476	Angle	4
3	7636000008	Rubber Mount	6
4	7115203250	Capscrew, 0.63"-11NC x 4.00"	6
5	7660200001	Nut, 0.63"-11NC	6
6	7950200161	Flatwasher, 0.63" ID	6
7	7949000020	Washer, Snub Tail	6
8	7949000019	Washer, Snub Head	18
9	7118221816	Capscrew, 0.75"-10NC x 2.25"	8
10	7660222308	Locknut, 0.75"-10NC	8
11	3503740041	Toolbox Assembly	1

Eastern Wrecker Sales, Inc. - www.easternwrecker.com - 919-553-4038

49" COUNTERWEIGHTED TUNNEL TOOL COMPARTMENT INSTALLATION



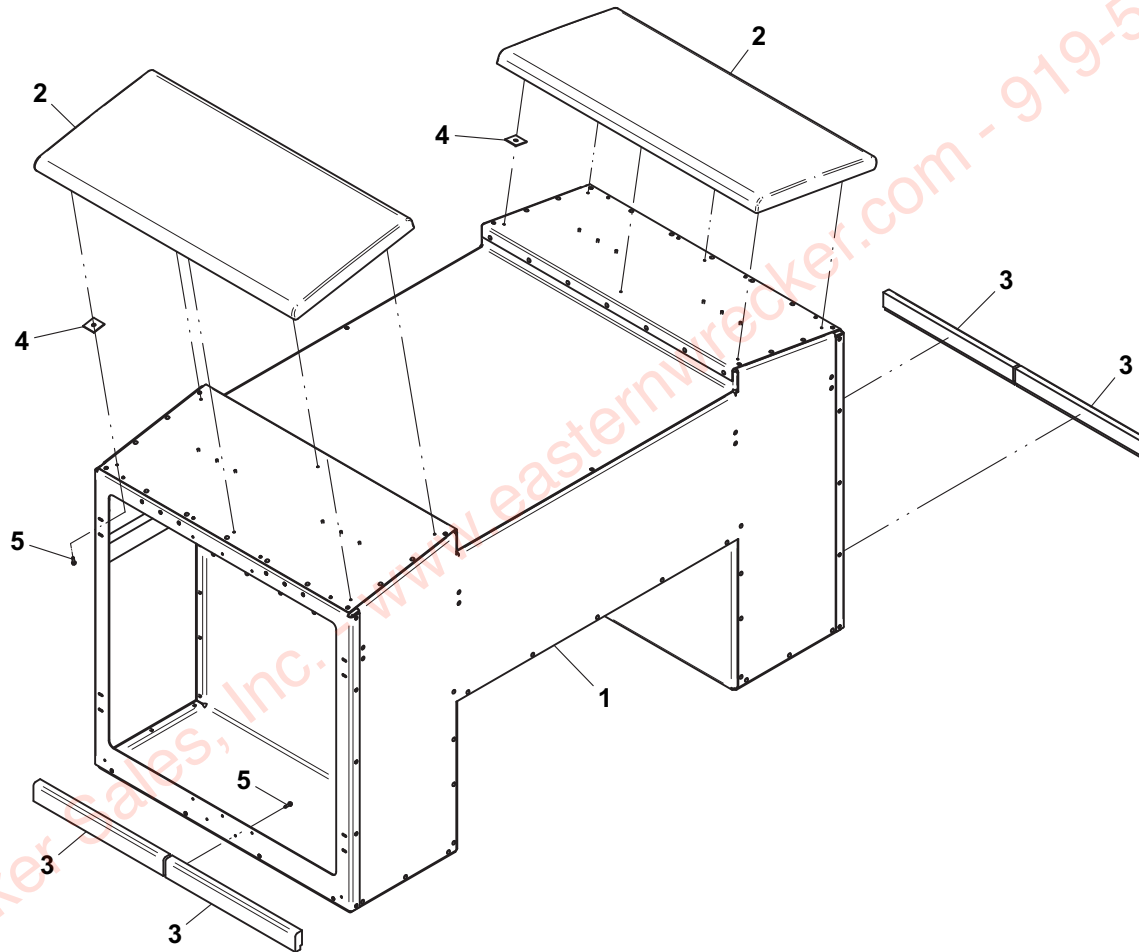
Toolbox Doors not Shown For Clarity

49" COUNTERWEIGHTED TUNNEL TOOL COMPARTMENT PANEL ASSEMBLY

ITEM	PART NO.	DESCRIPTION	QTY
1	3503740039	Bonding Assembly	1
	3503740046	Bonding Assembly (For Forward Mounted Headboards)	
2	7686000050	Cap Panel	2
3	7686000031	Filler Strip Panel	4
4	4679000120	Pad, Rubber - 0.12" Thk	12
5	7790141651	Screw, Self Tapping - 0.25" Dia x 1.00"	20

Eastern Wrecker Sales, Inc. - www.easternwrecker.com - 919-553-4038

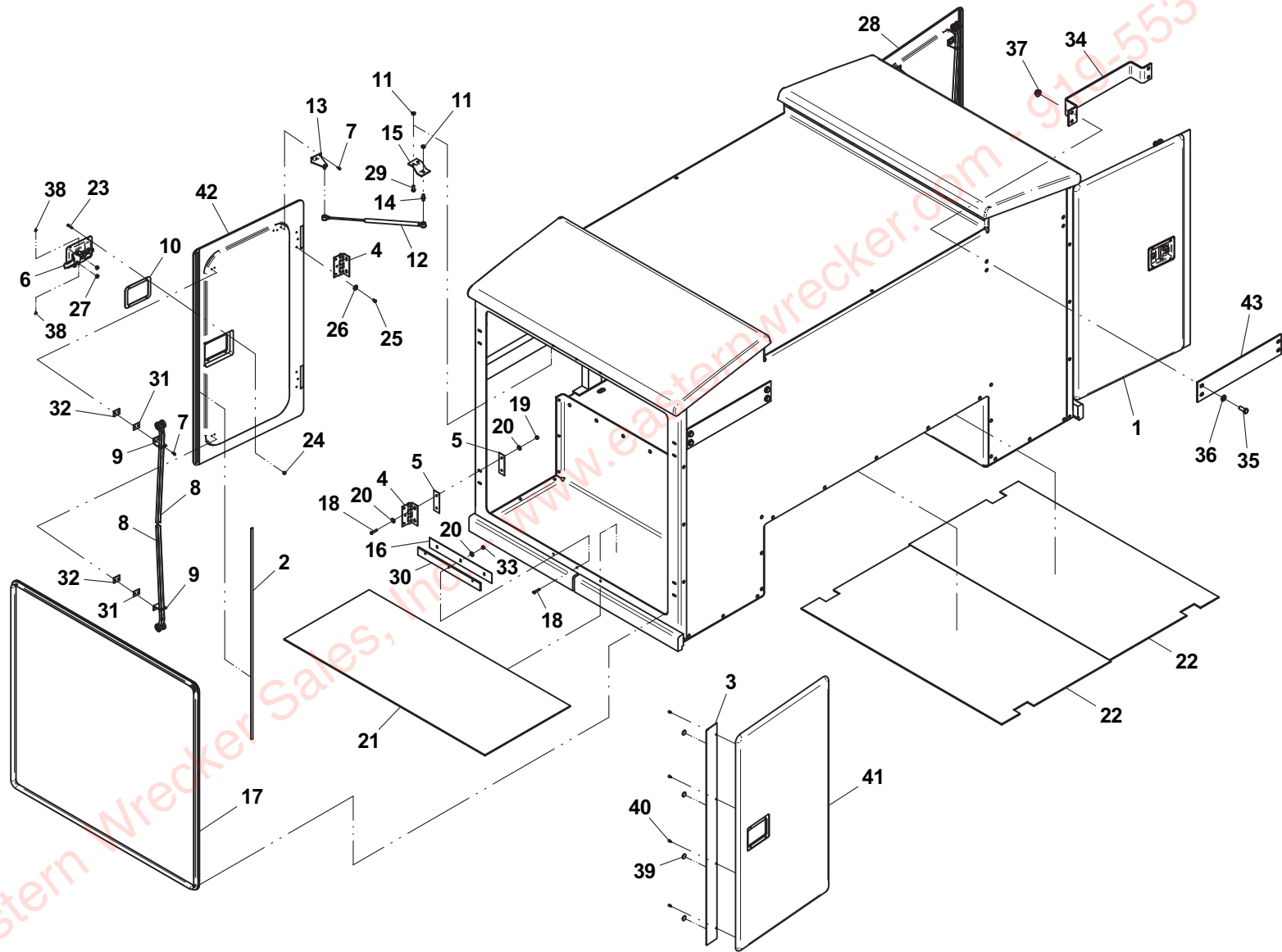
49" COUNTERWEIGHTED TUNNEL TOOL COMPARTMENT PANEL ASSEMBLY



49" TUNNEL TOOL COMPARTMENT DOOR AND HARDWARE ASSEMBLY

ITEM	PART NO.	DESCRIPTION	QTY	ITEM	PART NO.	DESCRIPTION	QTY
1	4686000133	Door Panel	1	35	7115181050	Capscrew, 0.50"-13NC x 1.25"	16
2	4632000025	Seal, Vertical Door	2	36	7950180153	Flatwasher, 0.50" ID	16
3	4811000355	Sheet	2	37	7660182301	Locknut, 0.50"-13NC	16
4	7555000002	Hinge	8	38	7690000810	Pin, Cotter	8
5	4812000052	Shim	16	39	7189000015	Bumper	8
6	7585000011	Latch, "T" Handle	4	40	7114100318	Capscrew, #10-24NC x 0.38"	8
7	7114100418	Capscrew, #10-24NC x 0.50"	28	41	4686000185	Door Panel	1
8	4585000016	Latch Roller	8	42	4686000186	Door Panel	1
9	4178000337	Bracket	8	43	4811000947	Sheet	4
10	7796000031	Gasket	4				
11	7660152604	Locknut, 0.31"-18NC	12				
12	7843000020	Gas Spring - 6.00" Stroke	4				
13	7178000023	Bracket, Ball Stud	4				
14	7865000001	Ball Stud	4				
15	4178000240	Bracket	4				
16	4811000335	Sheet	4				
17	4632000024	Seal, Vertical Door	2				
18	7114140818	Capscrew, 0.25"-20NC x 1.00"	28				
19	7660142604	Locknut, 0.25"-20NC	16				
20	7950140163	Flatwasher, 0.25 ID	56				
21	4679000181	Pad, Rubber	2				
22	4679000188	Pad, Rubber	2				
23	7114100818	Capscrew, #10-24NC x 1.00	16				
24	7660102604	Locknut, #10-24NC	16				
25	7114140418	Capscrew, 0.25"-20NC x 0.50"	24				
26	7950140503	Lockwasher, 0.25" ID	24				
27	7831000040	Spacer	8				
28	4686000134	Door Panel	1				
29	7114150650	Capscrew, 0.31"-18NC x 0.75"	8				
30	4062000368	Bar	4				
31	4811000336	Sheet	8				
32	4811000337	Sheet	8				
33	7660140001	Nut, 0.25"-20NC	12				
34	4178000229	Bracket	4				

49" TUNNEL TOOL COMPARTMENT DOOR AND HARDWARE ASSEMBLY

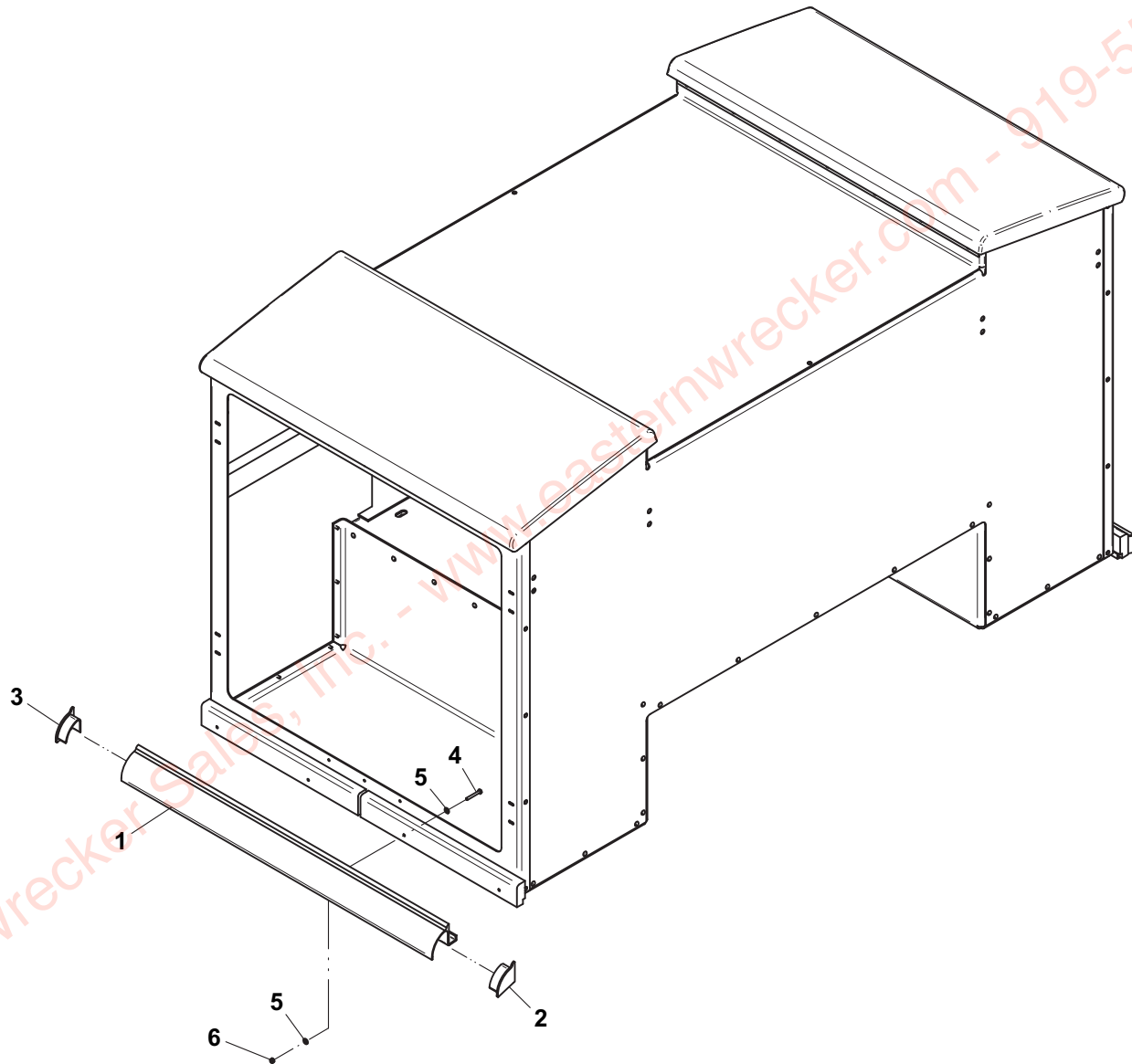


49" TUNNEL TOOL COMPARTMENT FENDER FLARE ASSEMBLY

ITEM	PART NO.	DESCRIPTION	QTY
1	4415000046	Flare, Body	2
2	7415000014	Flare, Body Cap - LH	2
3	7415000013	Flare, Body Cap - RH	2
4	7114141850	Capscrew, 0.25"-20NC x 2.25"	8
5	7950140151	Flatwasher, 0.25" ID	16
6	7660142604	Locknut, 0.25"-20NC	8

Eastern Wrecker Sales, Inc. - www.easternwrecker.com - 919-553-4038

49" TUNNEL TOOL COMPARTMENT FENDER FLARE ASSEMBLY

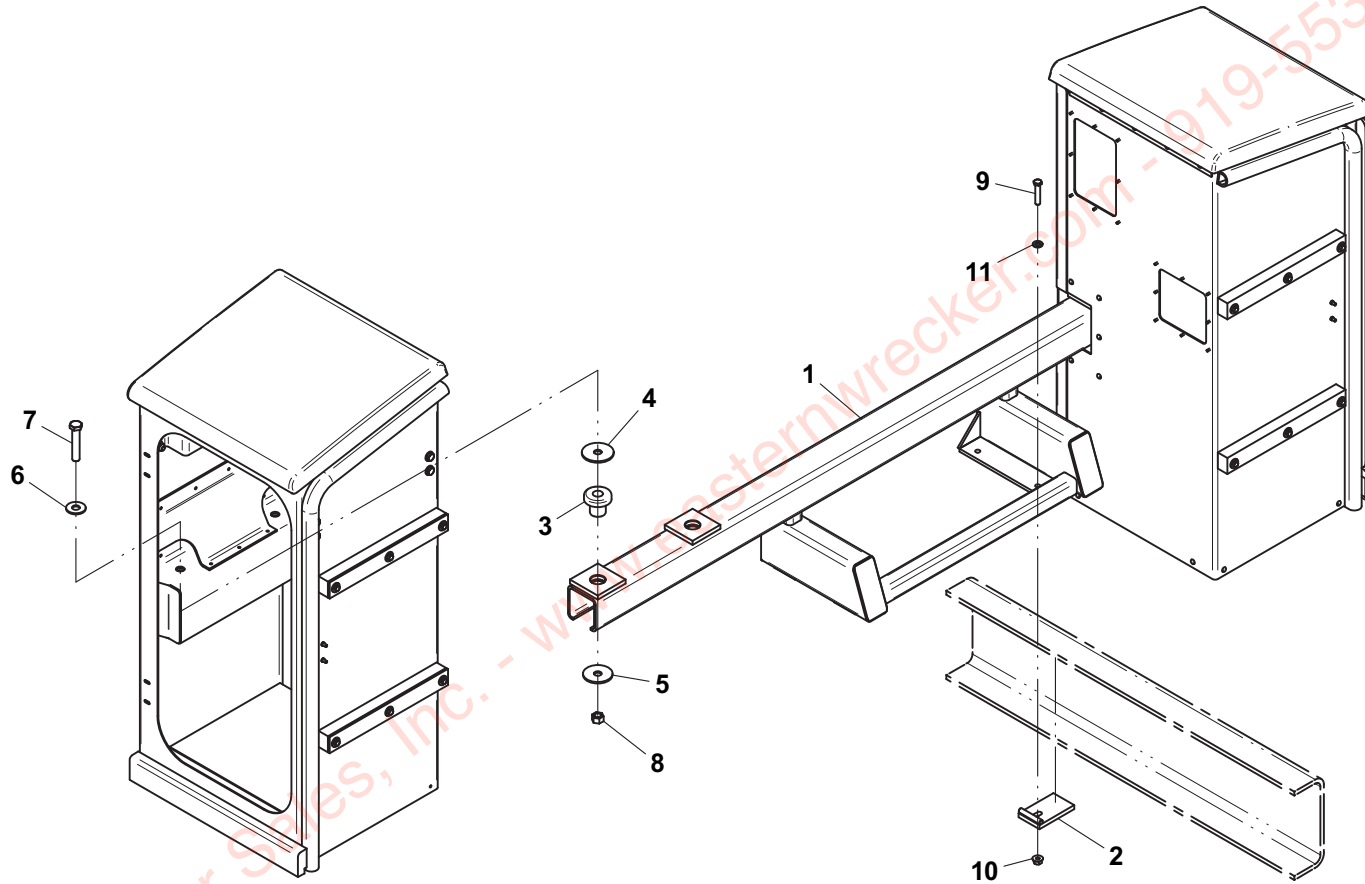


24" STAND-A-LONE TUNNEL TOOL COMPARTMENT INSTALLATION

ITEM	PART NO.	DESCRIPTION	QTY
1	3868000157	Subframe Weldment	1
2	3274000011	Clamp Weldment	4
3	7636000007	Rubber Mount	4
4	7949000017	Washer, Snub Head	8
5	7949000018	Washer, Snub Tail	4
6	7590220161	Flatwasher, 0.75" ID	4
7	7115223250	Capscrew, 0.75"-10NC x 4.00"	4
8	7660220001	Nut, 0.75"-10NC	4
9	7115182050	Capscrew, 0.50"-13NC x 2.50"	4
10	7660182301	Locknut, 0.50"-13NC	4
11	7950180252	Flatwasher, 0.50" ID	4

Eastern Wrecker Sales, Inc. - www.easternwrecker.com - 919-553-4038

24" STAND-A-LONE TUNNEL TOOL COMPARTMENT INSTALLATION



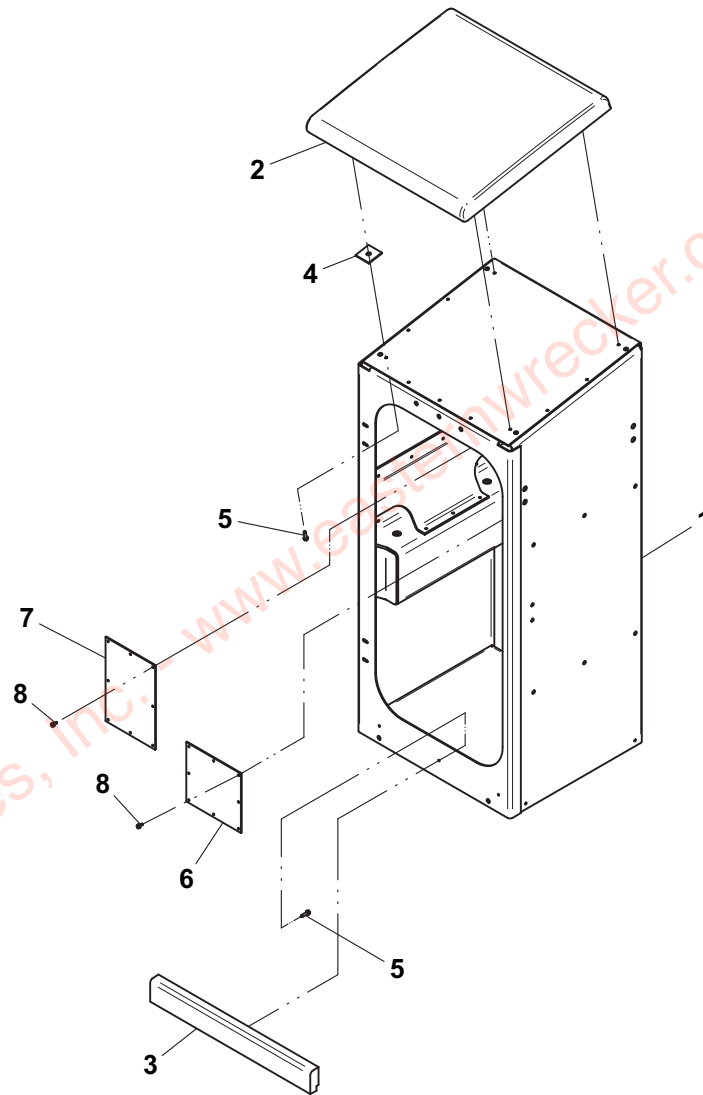
Toolbox Doors not Shown For Clarity

24" STAND-A-LONE TOOL COMPARTMENT PANEL ASSEMBLY - LH

ITEM	PART NO.	DESCRIPTION	QTY
1	3502740071	Bonding Assembly - LH	1
2	7686000008	Cap Panel	1
3	7686000031	Filler Strip Panel	1
4	4679000120	Pad, Rubber - 0.12" Thk	4
5	7790141651	Screw, Self Tapping - 0.25" Dia x 1.00"	7
6	4811000408	Sheet	1
7	4811000091	Sheet	1
8	7790100856	Screw, Self Tapping - #10 Dia x 0.50"	16

Eastern Wrecker Sales, Inc. - www.easternwrecker.com - 919-553-4038

24" STAND-A-LONE TOOL COMPARTMENT PANEL ASSEMBLY - LH

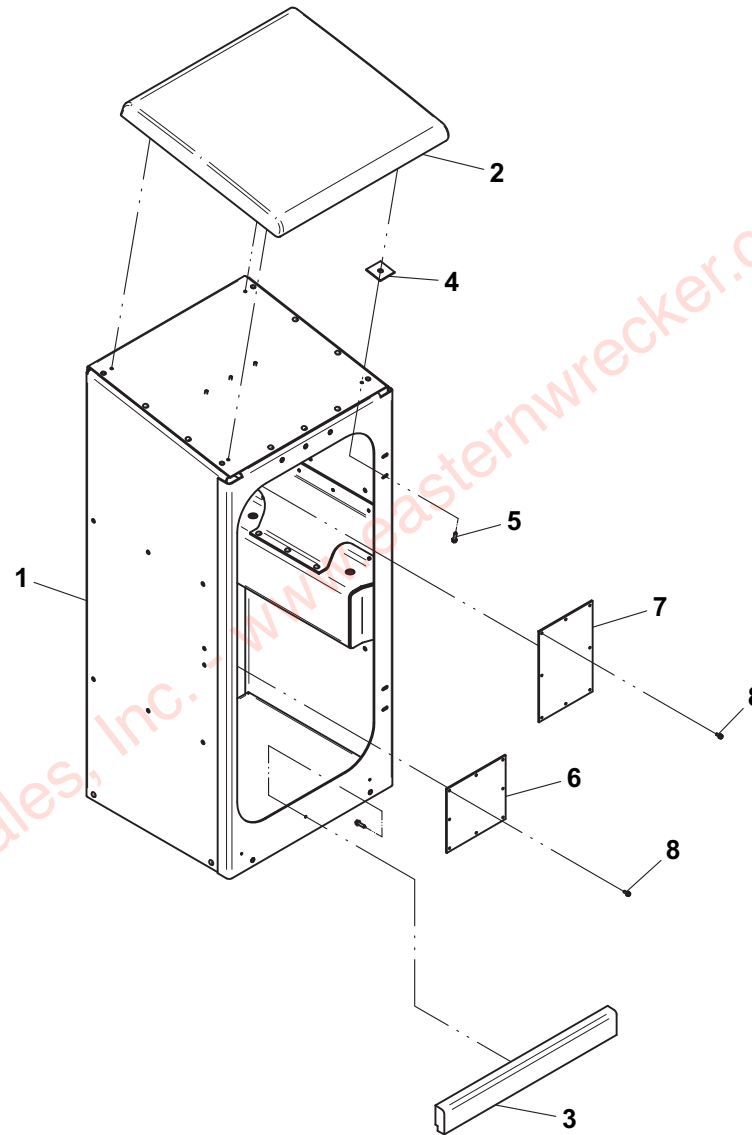


24" STAND-A-LONE TOOL COMPARTMENT PANEL ASSEMBLY - RH

ITEM	PART NO.	DESCRIPTION	QTY
1	3502740072	Bonding Assembly - LH	1
2	7686000008	Cap Panel	1
3	7686000031	Filler Strip Panel	1
4	4679000120	Pad, Rubber - 0.12" Thk	4
5	7790141651	Screw, Self Tapping - 0.25" Dia x 1.00"	7
6	4811000408	Sheet	1
7	4811000091	Sheet	1
8	7790100856	Screw, Self Tapping - #10 Dia x 0.50"	16

Eastern Wrecker Sales, Inc. - www.easternwrecker.com - 919-553-4038

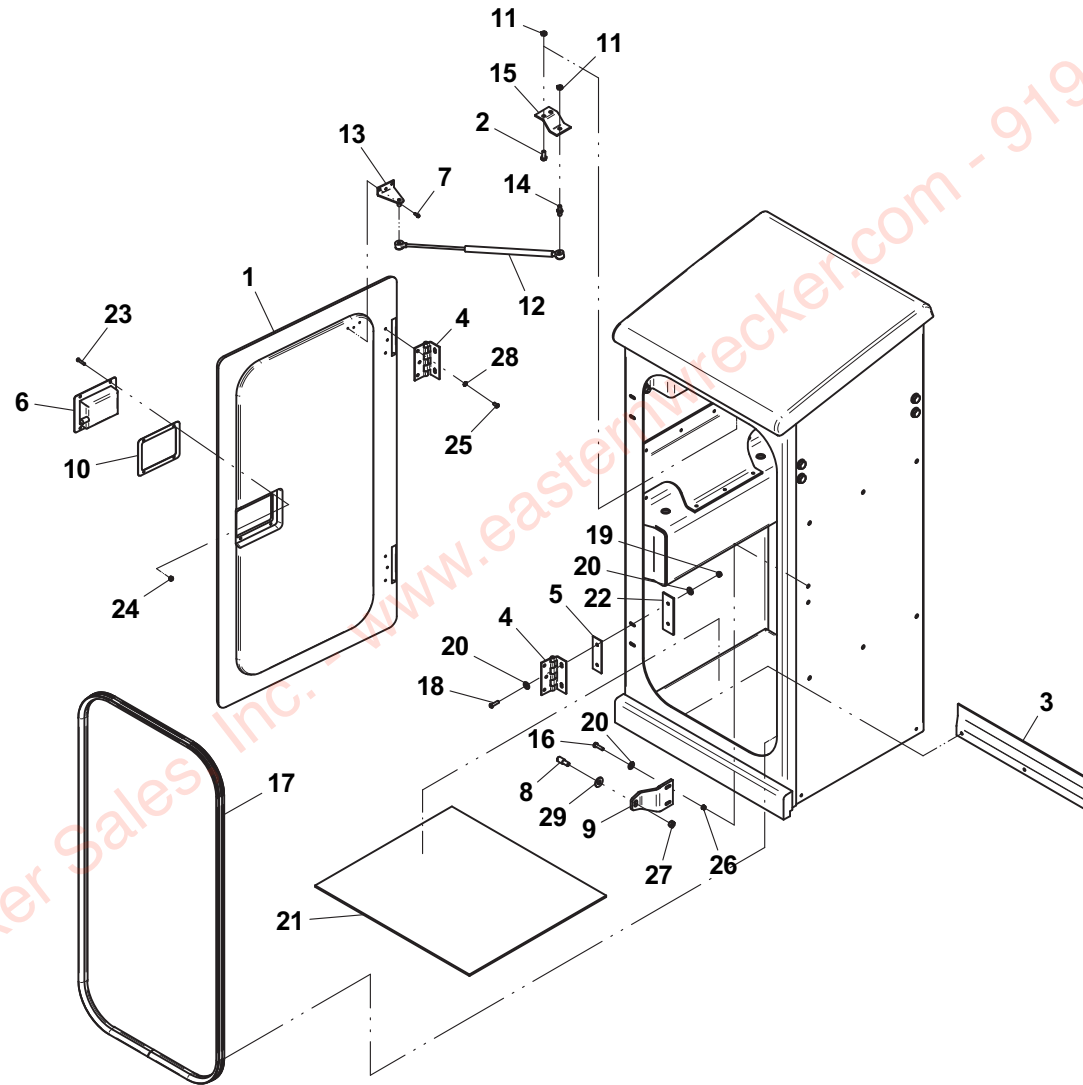
24" STAND-A-LONE TOOL COMPARTMENT PANEL ASSEMBLY - RH



24" STAND-A-LONE TOOL COMPARTMENT DOOR AND HARDWARE ASSEMBLY - LH

ITEM	PART NO.	DESCRIPTION	QTY
1	4686000072	Door Panel - LH	1
2	7114150650	Capscrew, 0.31"-18NC x 0.75"	2
3	4811000135	Sheet	1
4	7555000002	Hinge	2
5	4812000052	Shim	2
6	7595000005	Latch, 2 Stage Rotary	1
7	7114100418	Capscrew, #10-24NC x 0.50"	3
8	7585000009	Latch Striker	1
9	4178000222	Bracket	1
10	7796000038	Gasket	1
11	7660152604	Locknut, 0.31"-18NC	3
12	7843000020	Gas Spring - 6.00" Stroke	1
13	7178000023	Bracket, Ball Stud	1
14	7865000001	Ball Stud	1
15	4178000240	Bracket	1
16	7114140850	Capscrew, 0.25"-20NC x 1.00"	2
17	4632000012	Seal, Vertical Door	1
18	7114140818	Capscrew, 0.25"-20NC x 1.00"	4
19	7660142604	Locknut, 0.25"-20NC	4
20	7950140163	Flatwasher, 0.25 ID	10
21	4679000115	Pad, Rubber	1
22	4062000173	Bar	2
23	7114100818	Capscrew, #10-24NC x 1.00	4
24	7660102604	Locknut, #10-24NC	4
25	7114140418	Capscrew, 0.25"-20NC x 0.50"	6
26	7413000002	Nutsert, 0.25"-20 NC	2
27	7660162604	Locknut, 0.38"-16NC	1
28	7949000074	Lockwasher, Serrated - 11mm ID	6
29	7950160163	Flatwasher, 0.38" ID	1

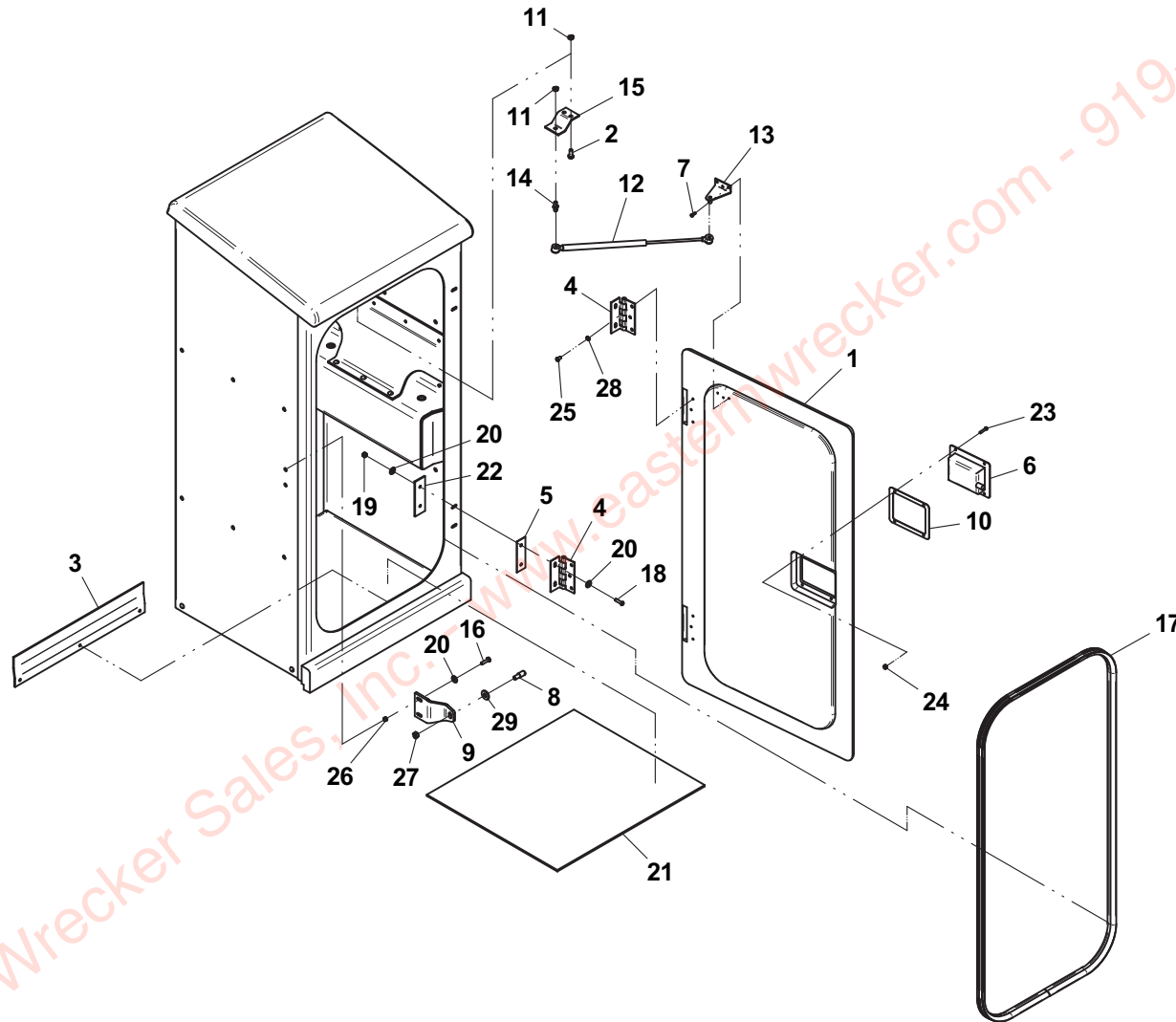
24" STAND-A-LONE TOOL COMPARTMENT DOOR AND HARDWARE ASSEMBLY - LH



24" STAND-A-LONE TOOL COMPARTMENT DOOR AND HARDWARE ASSEMBLY - RH

ITEM	PART NO.	DESCRIPTION	QTY
1	4686000073	Door Panel - RH	1
2	7114150650	Capscrew, 0.31"-18NC x 0.75"	2
3	4811000135	Sheet	1
4	7555000002	Hinge	2
5	4812000052	Shim	2
6	7595000005	Latch, 2 Stage Rotary	1
7	7114100418	Capscrew, #10-24NC x 0.50"	3
8	7585000009	Latch Striker	1
9	4178000222	Bracket	1
10	7796000038	Gasket	1
11	7660152604	Locknut, 0.31"-18NC	3
12	7843000020	Gas Spring - 6.00" Stroke	1
13	7178000023	Bracket, Ball Stud	1
14	7865000001	Ball Stud	1
15	4178000240	Bracket	1
16	7114140850	Capscrew, 0.25"-20NC x 1.00"	2
17	4632000012	Seal, Vertical Door	1
18	7114140818	Capscrew, 0.25"-20NC x 1.00"	4
19	7660142604	Locknut, 0.25"-20NC	4
20	7950140163	Flatwasher, 0.25 ID	10
21	4679000115	Pad, Rubber	1
22	4062000173	Bar	2
23	7114100818	Capscrew, #10-24NC x 1.00	4
24	7660102604	Locknut, #10-24NC	4
25	7114140418	Capscrew, 0.25"-20NC x 0.50"	6
26	7413000002	Nutsert, 0.25"-20 NC	2
27	7660162604	Locknut, 0.38"-16NC	1
28	7949000074	Lockwasher, Serrated - 11mm ID	6
29	7950160163	Flatwasher, 0.38" ID	1

24" STAND-A-LONE TOOL COMPARTMENT DOOR AND HARDWARE ASSEMBLY - RH

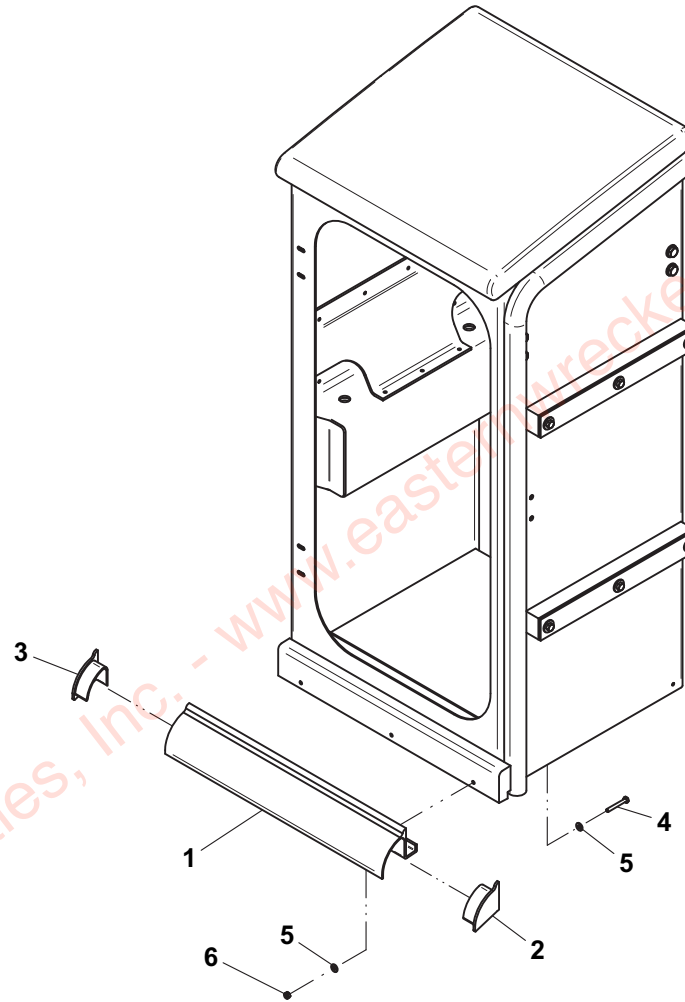


24" STAND-A-LONE TOOL COMPARTMENT FENDER FLARE ASSEMBLY

ITEM	PART NO.	DESCRIPTION	QTY
1	4415000045	Flare, Body	2
2	7415000013	Flare, Body Cap - RH	2
3	7415000014	Flare, Body Cap - LH	2
4	7114141850	Capscrew, 0.25"-20NC x 2.25"	6
5	7950140151	Flatwasher, 0.25" ID	12
6	7660142604	Locknut, 0.25"-20NC	6

Eastern Wrecker Sales, Inc. - www.easternwrecker.com - 919-553-4038

24" STAND-A-LONE TOOL COMPARTMENT FENDER FLARE ASSEMBLY

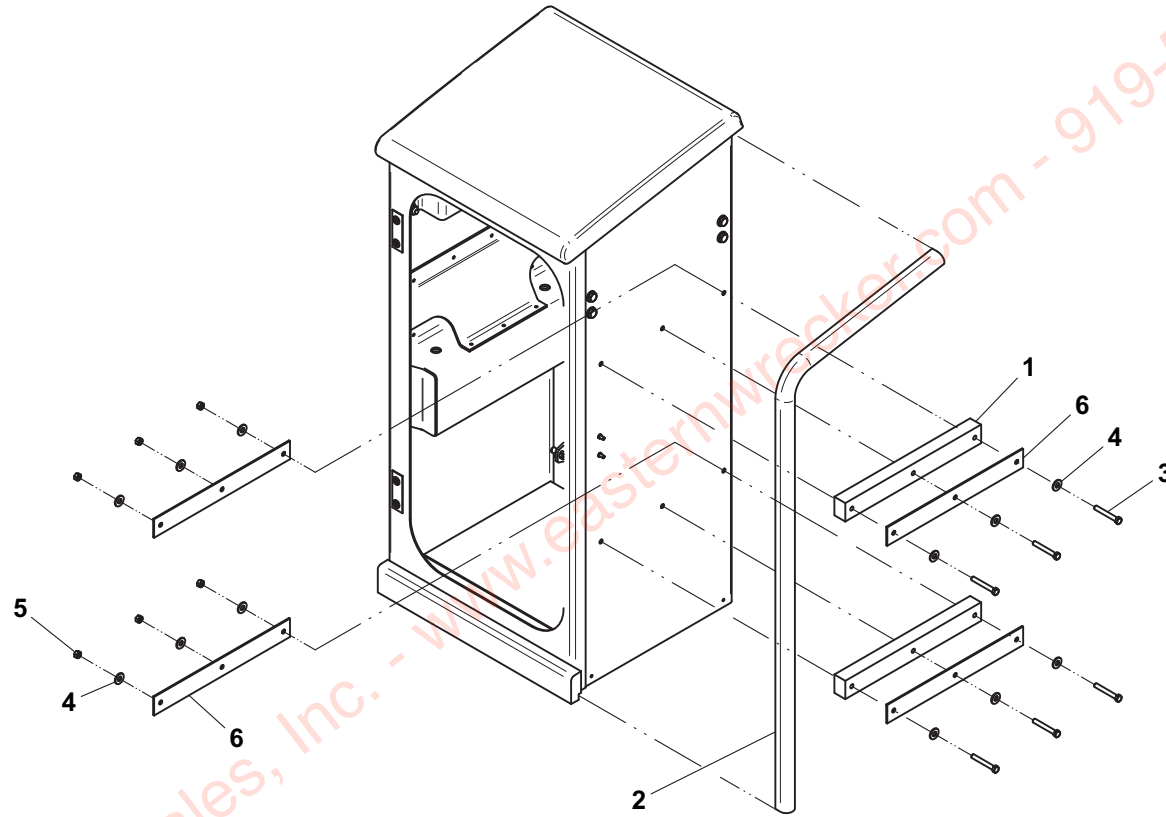


24" STAND-A-LONE TOOL COMPARTMENT SPACER MOUNTNG ASSEMBLY - LH

ITEM	PART NO.	DESCRIPTION	QTY
1	4679000136	Spacer Pad	2
2	8632000011	Seal, Rubber "D"	6FT
3	7115162250	Capscrew, 0.38"-16NC x 2.75"	6
4	7950160163	Flatwasher, 0.38" ID	12
5	7660160001	Nut, 0.38"-16NC	6
6	4062000243	Bar	4

Eastern Wrecker Sales, Inc. - www.easternwrecker.com - 919-553-4038

24" STAND-A-LONE TOOL COMPARTMENT SPACER MOUNTING ASSEMBLY - LH

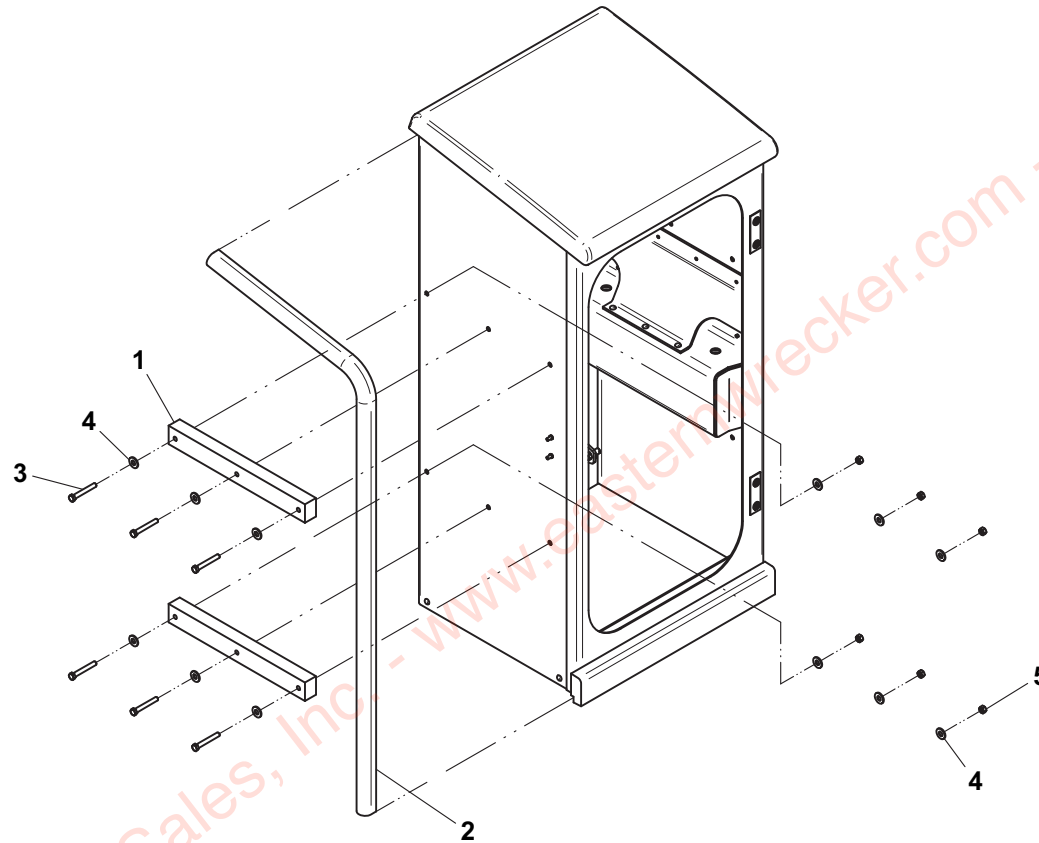


24" STAND-A-LONE TOOL COMPARTMENT SPACER MOUNTNG ASSEMBLY - RH

ITEM	PART NO.	DESCRIPTION	QTY
1	4679000136	Spacer Pad	2
2	8632000011	Seal, Rubber "D"	6FT
3	7115162250	Capscrew, 0.38"-16NC x 2.75"	6
4	7950160163	Flatwasher, 0.38" ID	12
5	7660160001	Nut, 0.38"-16NC	6

Eastern Wrecker Sales, Inc. - www.easternwrecker.com - 919-553-4038

24" STAND-A-LONE TOOL COMPARTMENT SPACER MOUNTING ASSEMBLY - RH

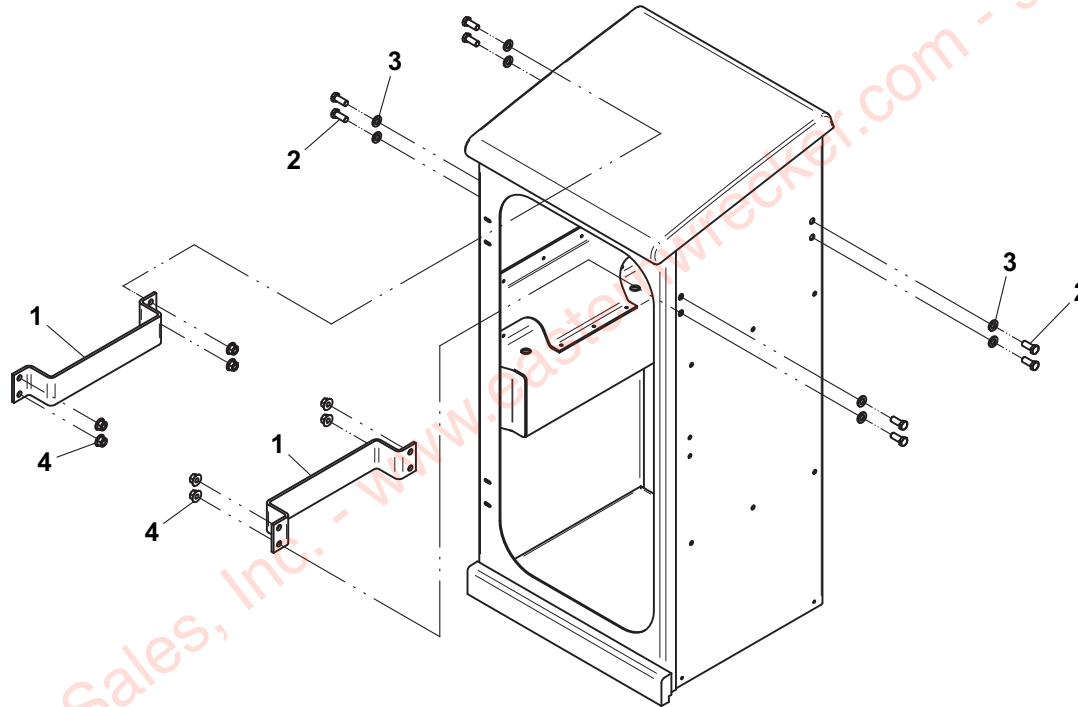


24" STAND-A-LONE TOOL COMPARTMENT HANGER BRACKET ASSEMBLY - LH

ITEM	PART NO.	DESCRIPTION	QTY
1	4178000270	Bracket	2
2	7115181050	Capscrew, 0.50"-13NC x 1.25"	8
3	7950180153	Flatwasher, 0.50" ID	8
4	7660182301	Locknut, 0.50"-13NC	8

Eastern Wrecker Sales, Inc. - www.easternwrecker.com - 919-553-4038

24" STAND-A-LONE TOOL COMPARTMENT HANGER BRACKET ASSEMBLY - LH

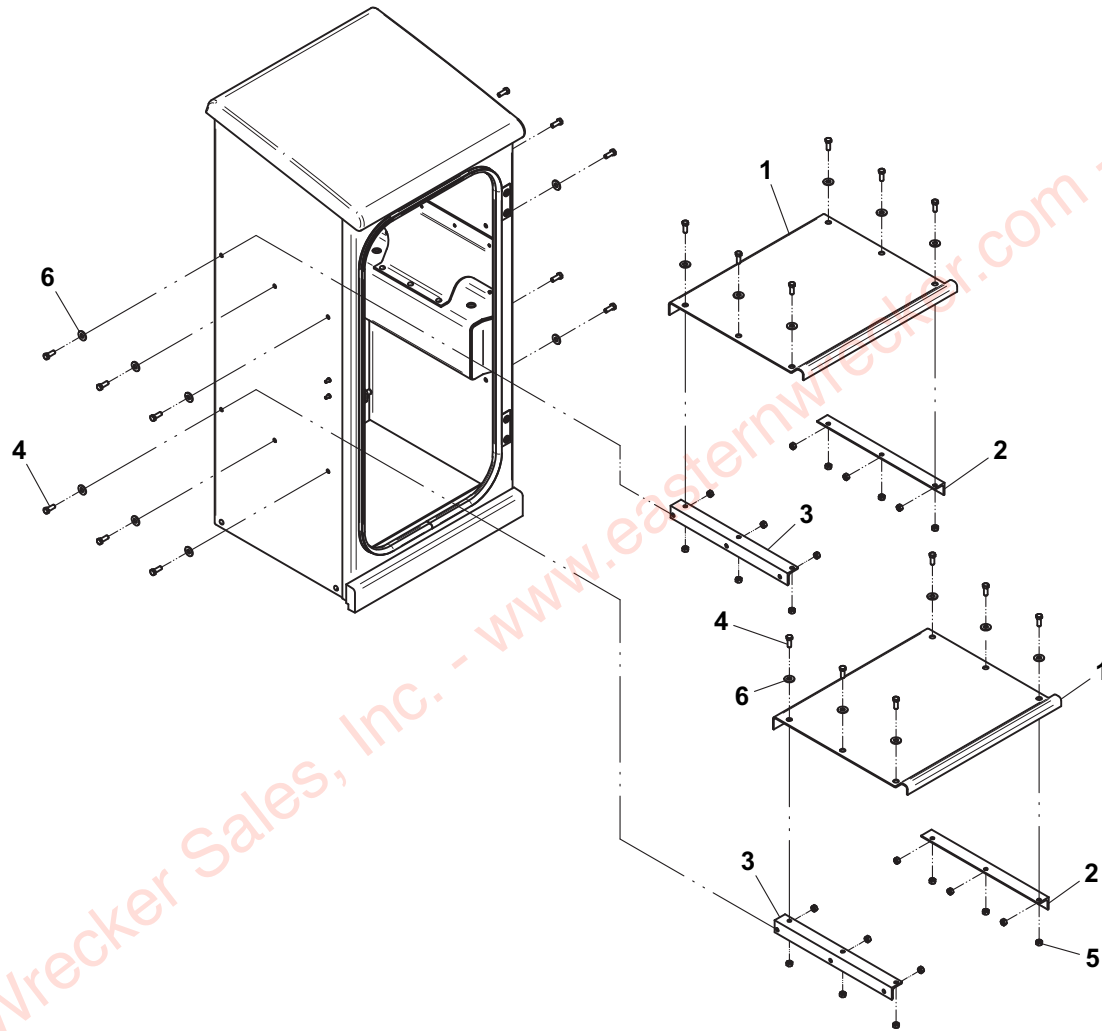


24" STAND-A-LONE TOOL COMPARTMENT SHELF INSTALLATION - RH

ITEM	PART NO.	DESCRIPTION	QTY
1	4811000217	Sheet	2
2	4017000714	Angle	2
3	4017000727	Angle	2
4	7115160850	Capscrew, 0.38"-16NC x 1.00"	18
5	7660160001	Nut, 0.38"-16NC	18
4	7950160163	Flatwasher, 0.38" ID	18

Eastern Wrecker Sales, Inc. - www.easternwrecker.com - 919-553-4038

24" STAND-A-LONE TOOL COMPARTMENT SHELF INSTALLATION - RH

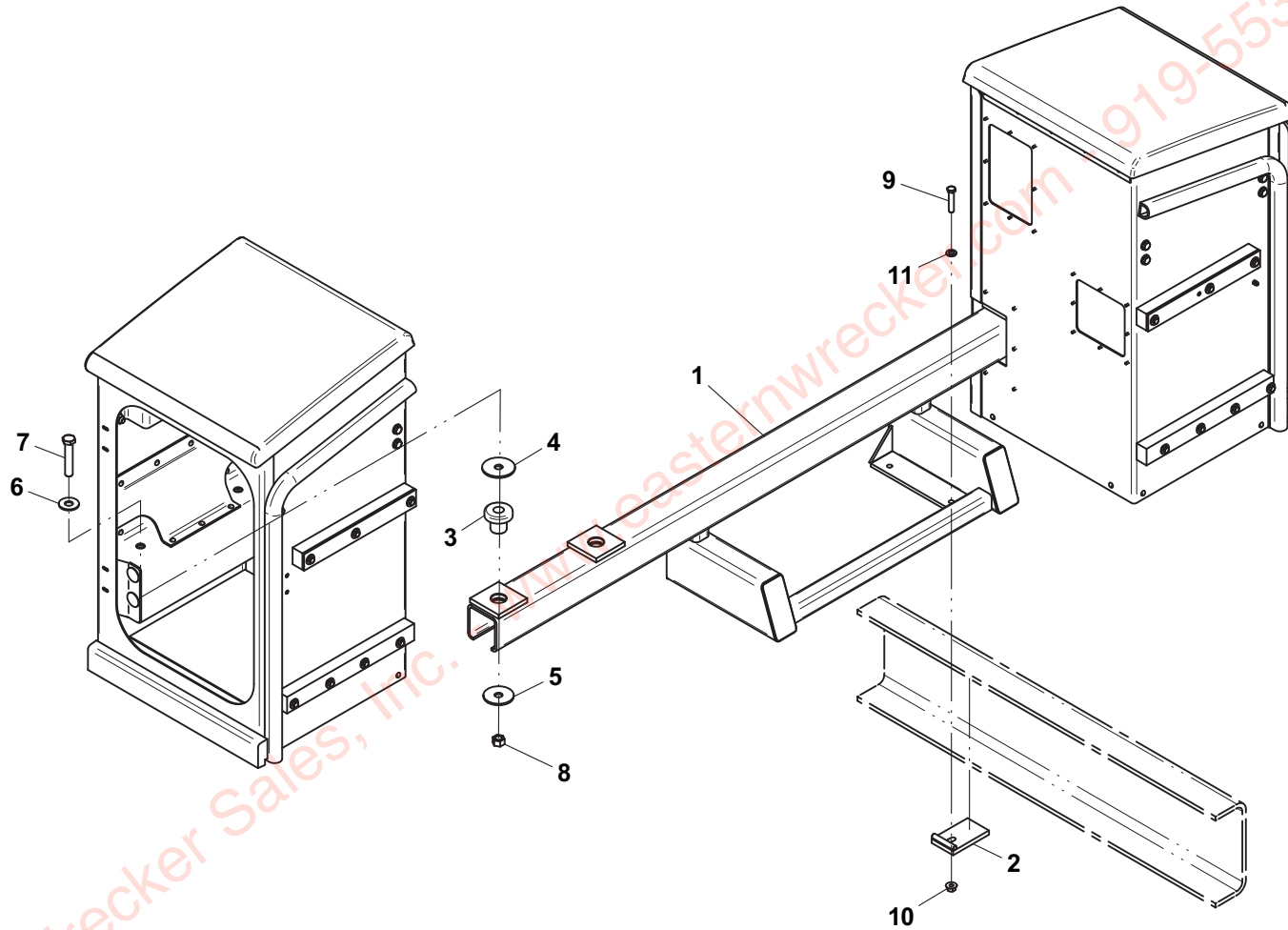


24" 3/4 HEIGHT STAND-A-LONE TUNNEL TOOL COMPARTMENT INSTALLATION

ITEM	PART NO.	DESCRIPTION	QTY
1	3868000157	Subframe Weldment	1
2	3274000011	Clamp Weldment	4
3	7636000007	Rubber Mount	4
4	7949000017	Washer, Snub Head	8
5	7949000018	Washer, Snub Tail	4
6	7590220161	Flatwasher, 0.75" ID	4
7	7115223250	Capscrew, 0.75"-10NC x 4.00"	4
8	7660220001	Nut, 0.75"-10NC	4
9	7115182050	Capscrew, 0.50"-13NC x 2.50"	4
10	7660182301	Locknut, 0.50"-13NC	4
11	7950180252	Flatwasher, 0.50" ID	4

Eastern Wrecker Sales, Inc. - www.easternwrecker.com - 919-553-4038

24" 3/4 HEIGHT STAND-A-LONE TUNNEL TOOL COMPARTMENT INSTALLATION



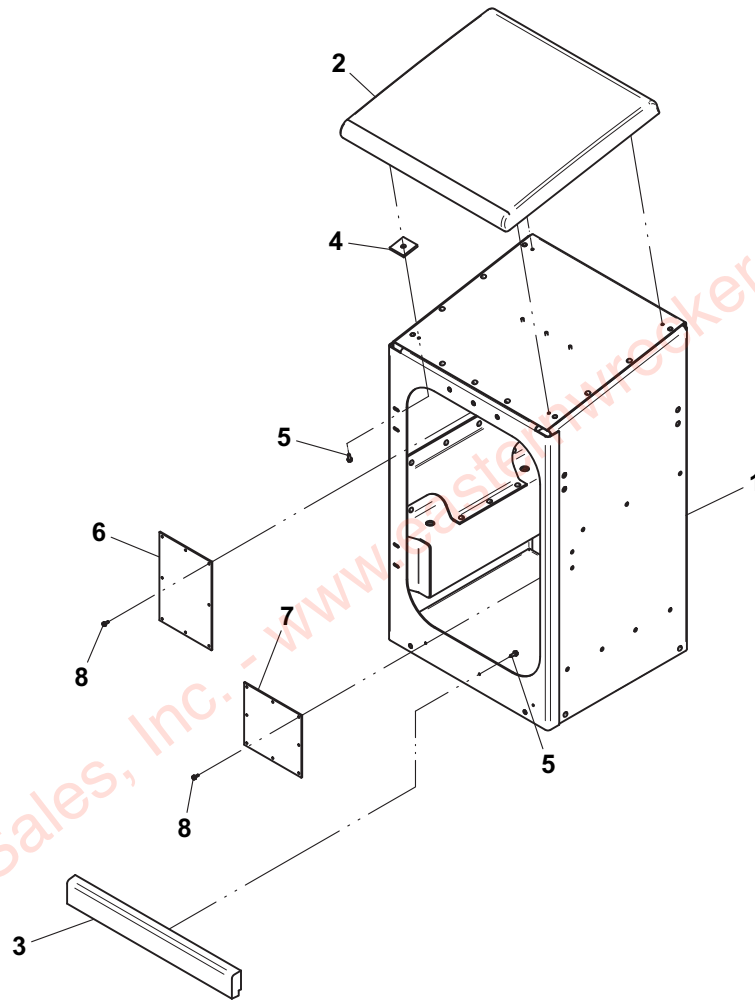
Toolbox Doors not Shown For Clarity

24" 3/4 STAND-A-LONE TOOL COMPARTMENT PANEL ASSEMBLY - LH

ITEM	PART NO.	DESCRIPTION	QTY
1	3502740096	Bonding Assembly - LH	1
2	7686000008	Cap Panel	1
3	7686000019	Filler Strip Panel	1
4	4679000121	Pad, Rubber - 0.25" Thk	4
5	7790142051	Screw, Self Tapping - 0.25" Dia x 1.25"	7
6	4811000091	Sheet	1
7	4811000408	Sheet	1
8	7790100856	Screw, Self Tapping - #10 Dia x 0.50"	16

Eastern Wrecker Sales, Inc. - www.easternwrecker.com - 919-553-4038

24" 3/4 STAND-A-LONE TOOL COMPARTMENT PANEL ASSEMBLY - LH

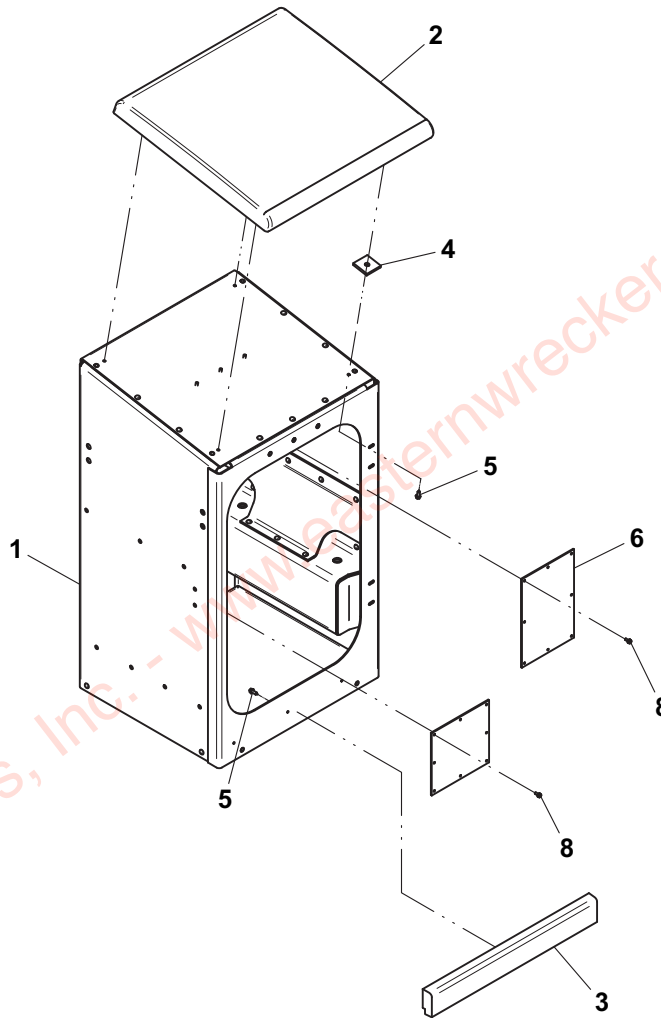


24" 3/4 STAND-A-LONE TOOL COMPARTMENT PANEL ASSEMBLY - RH

ITEM	PART NO.	DESCRIPTION	QTY
1	3502740103	Bonding Assembly - rH	1
2	7686000008	Cap Panel	1
3	7686000019	Filler Strip Panel	1
4	4679000121	Pad, Rubber - 0.25" Thk	4
5	7790142051	Screw, Self Tapping - 0.25" Dia x 1.25"	7
6	4811000091	Sheet	1
7	4811000408	Sheet	1
8	7790100856	Screw, Self Tapping - #10 Dia x 0.50"	16

Eastern Wrecker Sales, Inc. - www.easternwrecker.com - 919-553-4038

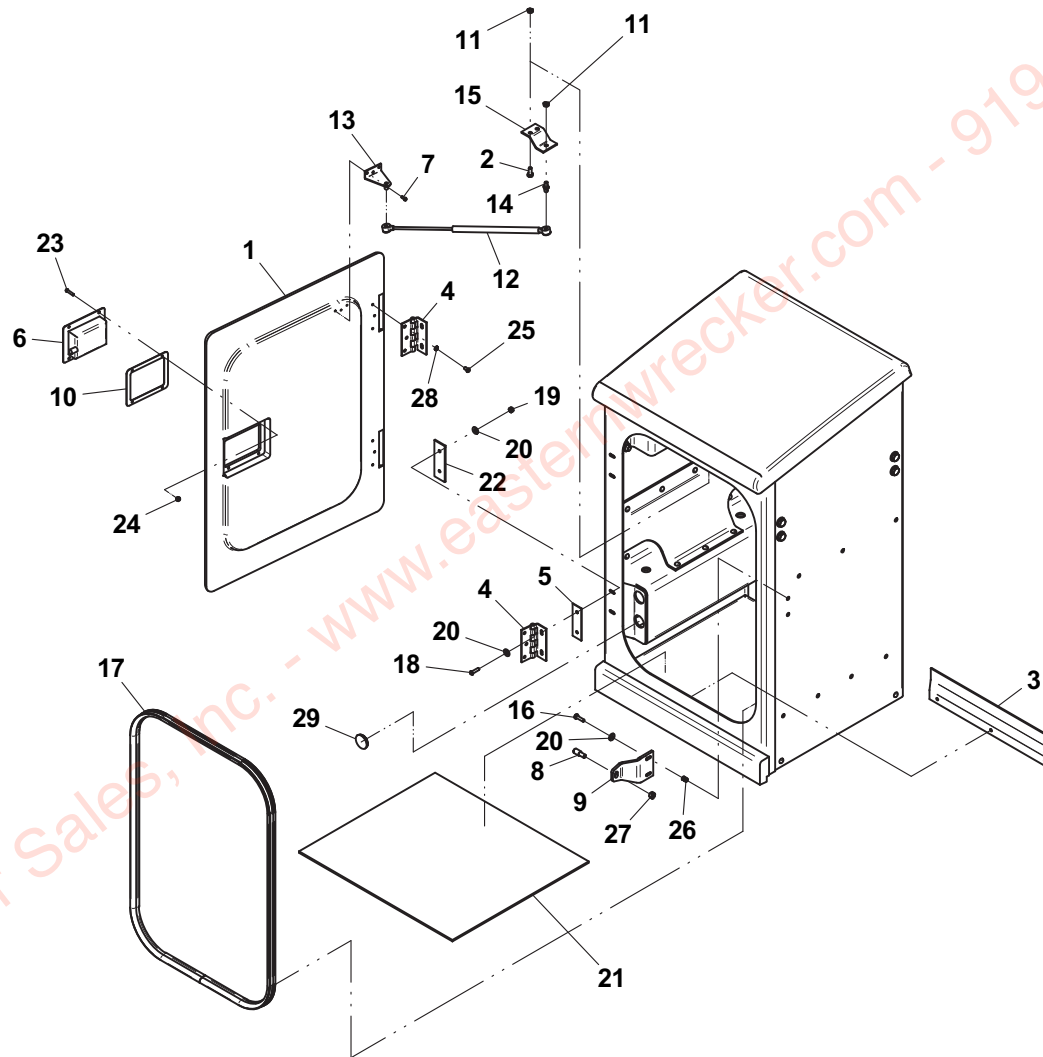
24" 3/4 STAND-A-LONE TOOL COMPARTMENT PANEL ASSEMBLY - RH



24" 3/4 STAND-A-LONE TOOL COMPARTMENT DOOR AND HARDWARE ASSEMBLY - LH

ITEM	PART NO.	DESCRIPTION	QTY
1	4686000085	Door Panel - LH	1
2	7114150650	Capscrew, 0.31"-18NC x 0.75"	2
3	4811000341	Sheet	1
4	7555000002	Hinge	2
5	4812000052	Shim	2
6	7595000005	Latch, 2 Stage Rotary	1
7	7114100418	Capscrew, #10-24NC x 0.50"	3
8	7585000004	Latch Striker	1
9	4178000222	Bracket	1
10	7796000038	Gasket	1
11	7660152604	Locknut, 0.31"-18NC	3
12	7843000020	Gas Spring - 6.00" Stroke	1
13	7178000023	Bracket, Ball Stud	1
14	7865000001	Ball Stud	1
15	4178000240	Bracket	1
16	7114140850	Capscrew, 0.25"-20NC x 1.00"	2
17	4632000012	Seal, Vertical Door	1
18	7114140818	Capscrew, 0.25"-20NC x 1.00"	4
19	7660142604	Locknut, 0.25"-20NC	4
20	7950140163	Flatwasher, 0.25 ID	10
21	4679000115	Pad, Rubber	1
22	4062000173	Bar	2
23	7114100818	Capscrew, #10-24NC x 1.00	4
24	7660102604	Locknut, #10-24NC	4
25	7114140418	Capscrew, 0.25"-20NC x 0.50"	6
26	7413000002	Nutsert, 0.25"-20 NC	2
27	7660162604	Locknut, 0.38"-16NC	1
28	7949000074	Lockwasher, Serrated - 11mm ID	6
29	7346000067	Hole Plug	2

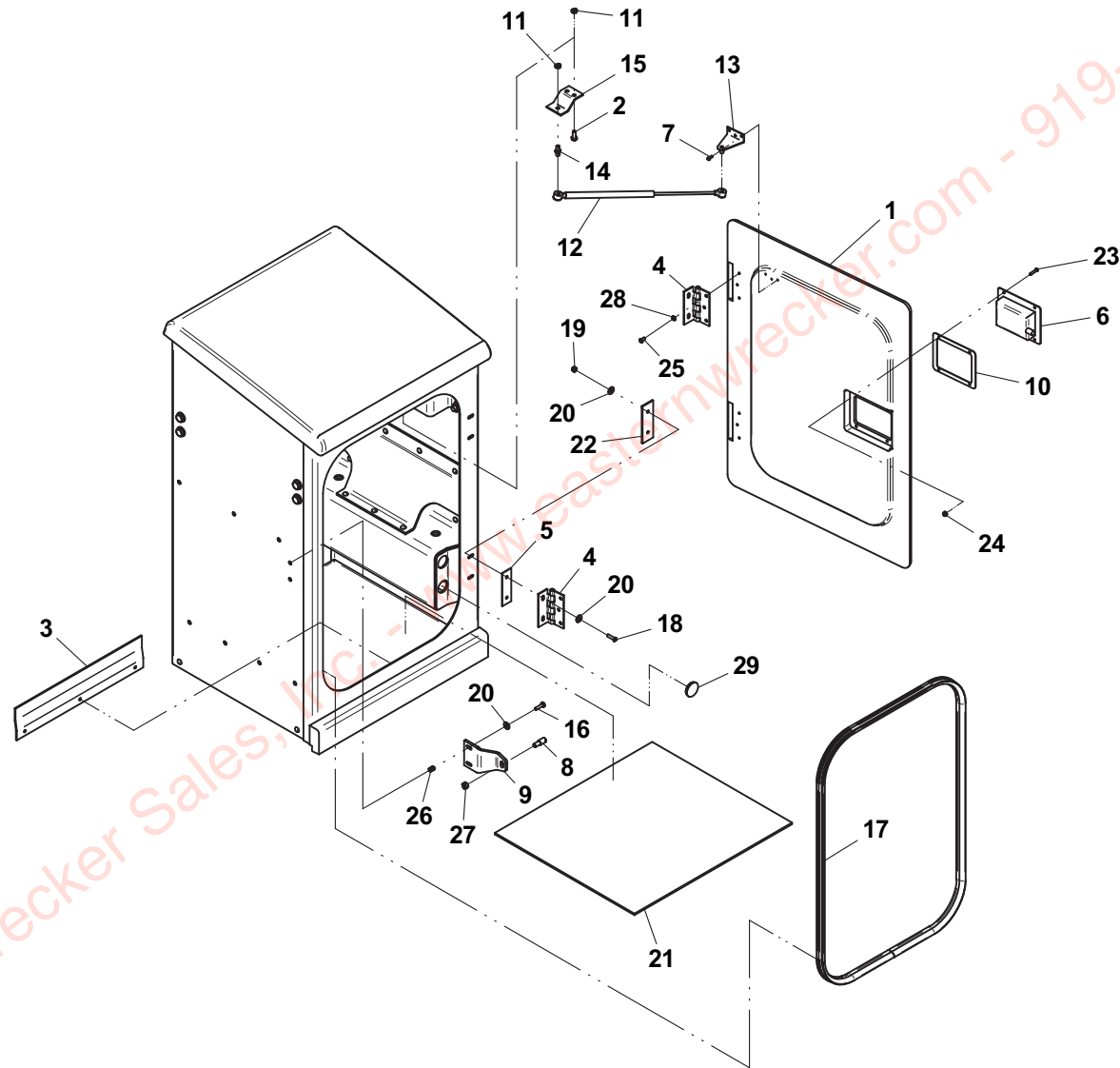
24" 3/4 STAND-A-LONE TOOL COMPARTMENT DOOR AND HARDWARE ASSEMBLY - LH



24" 3/4 STAND-A-LONE TOOL COMPARTMENT DOOR AND HARDWARE ASSEMBLY - RH

ITEM	PART NO.	DESCRIPTION	QTY
1	4686000086	Door Panel - RH	1
2	7114150650	Capscrew, 0.31"-18NC x 0.75"	2
3	4811000341	Sheet	1
4	7555000002	Hinge	2
5	4812000052	Shim	2
6	7595000005	Latch, 2 Stage Rotary	1
7	7114100418	Capscrew, #10-24NC x 0.50"	3
8	7585000004	Latch Striker	1
9	4178000222	Bracket	1
10	7796000038	Gasket	1
11	7660152604	Locknut, 0.31"-18NC	3
12	7843000020	Gas Spring - 6.00" Stroke	1
13	7178000023	Bracket, Ball Stud	1
14	7865000001	Ball Stud	1
15	4178000240	Bracket	1
16	7114140850	Capscrew, 0.25"-20NC x 1.00"	2
17	4632000012	Seal, Vertical Door	1
18	7114140818	Capscrew, 0.25"-20NC x 1.00"	4
19	7660142604	Locknut, 0.25"-20NC	4
20	7950140163	Flatwasher, 0.25 ID	10
21	4679000115	Pad, Rubber	1
22	4062000173	Bar	2
23	7114100818	Capscrew, #10-24NC x 1.00	4
24	7660102604	Locknut, #10-24NC	4
25	7114140418	Capscrew, 0.25"-20NC x 0.50"	6
26	7413000002	Nutsert, 0.25"-20 NC	2
27	7660162604	Locknut, 0.38"-16NC	1
28	7949000074	Lockwasher, Serrated - 11mm ID	6
29	7346000067	Plug, Hole 1.38" Dia	2

24" 3/4 STAND-A-LONE TOOL COMPARTMENT DOOR AND HARDWARE ASSEMBLY - RH

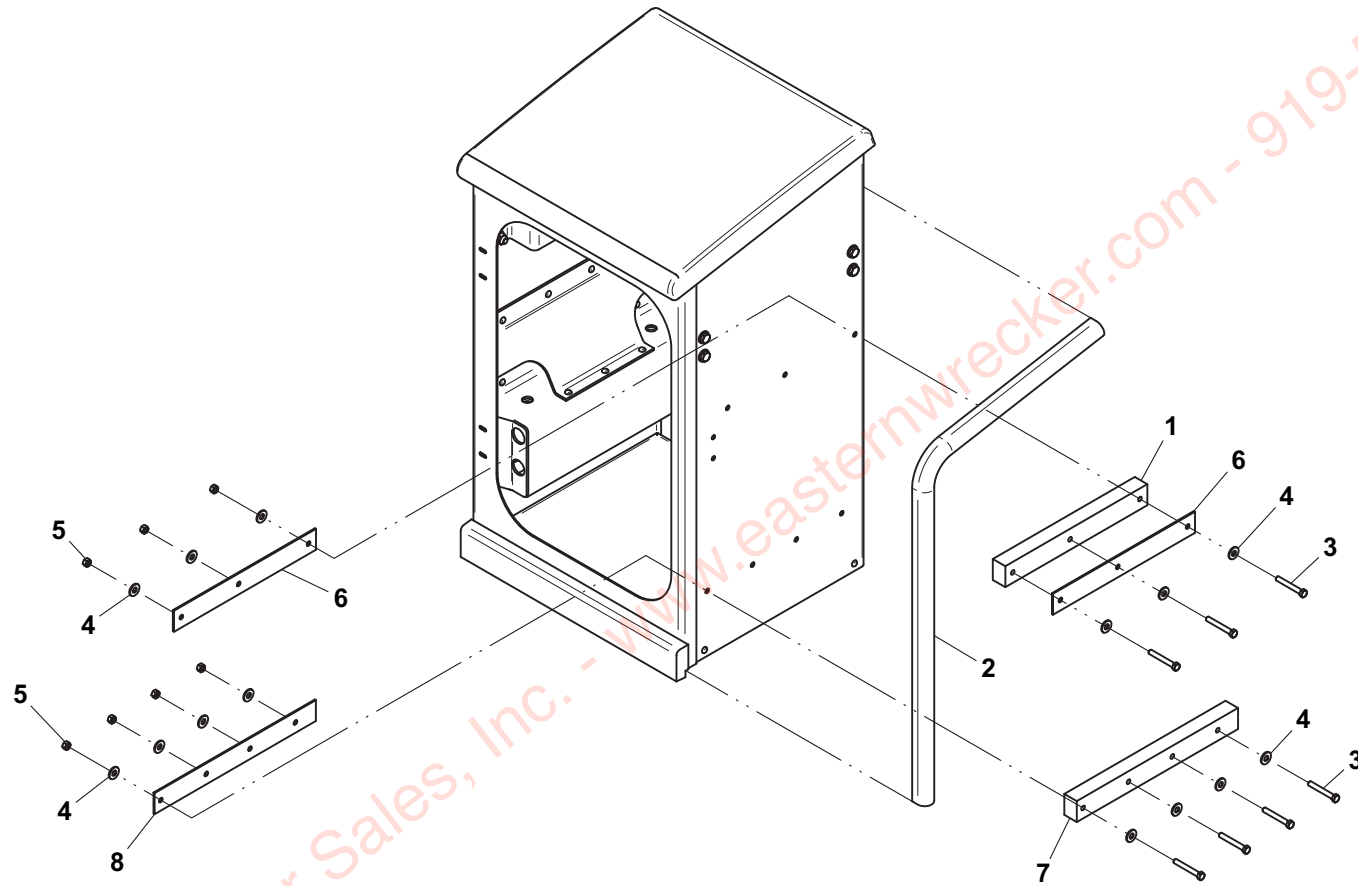


24" 3/4 STAND-A-LONE TOOL COMPARTMENT SPACER MOUNTNG ASSEMBLY - LH

ITEM	PART NO.	DESCRIPTION	QTY
1	4679000186	Spacer Pad	1
2	8632000011	Seal, Rubber "D"	5FT
3	7115162250	Capscrew, 0.38"-16NC x 2.75"	7
4	7950160163	Flatwasher, 0.38" ID	14
5	7660160001	Nut, 0.38"-16NC	7
6	4062000374	Bar	2
7	4679000187	Spacer Pad	1
8	4062000375	Bar	1

Eastern Wrecker Sales, Inc. - www.easternwrecker.com - 919-553-4038

24" 3/4 STAND-A-LONE TOOL COMPARTMENT SPACER MOUNTING ASSEMBLY - LH

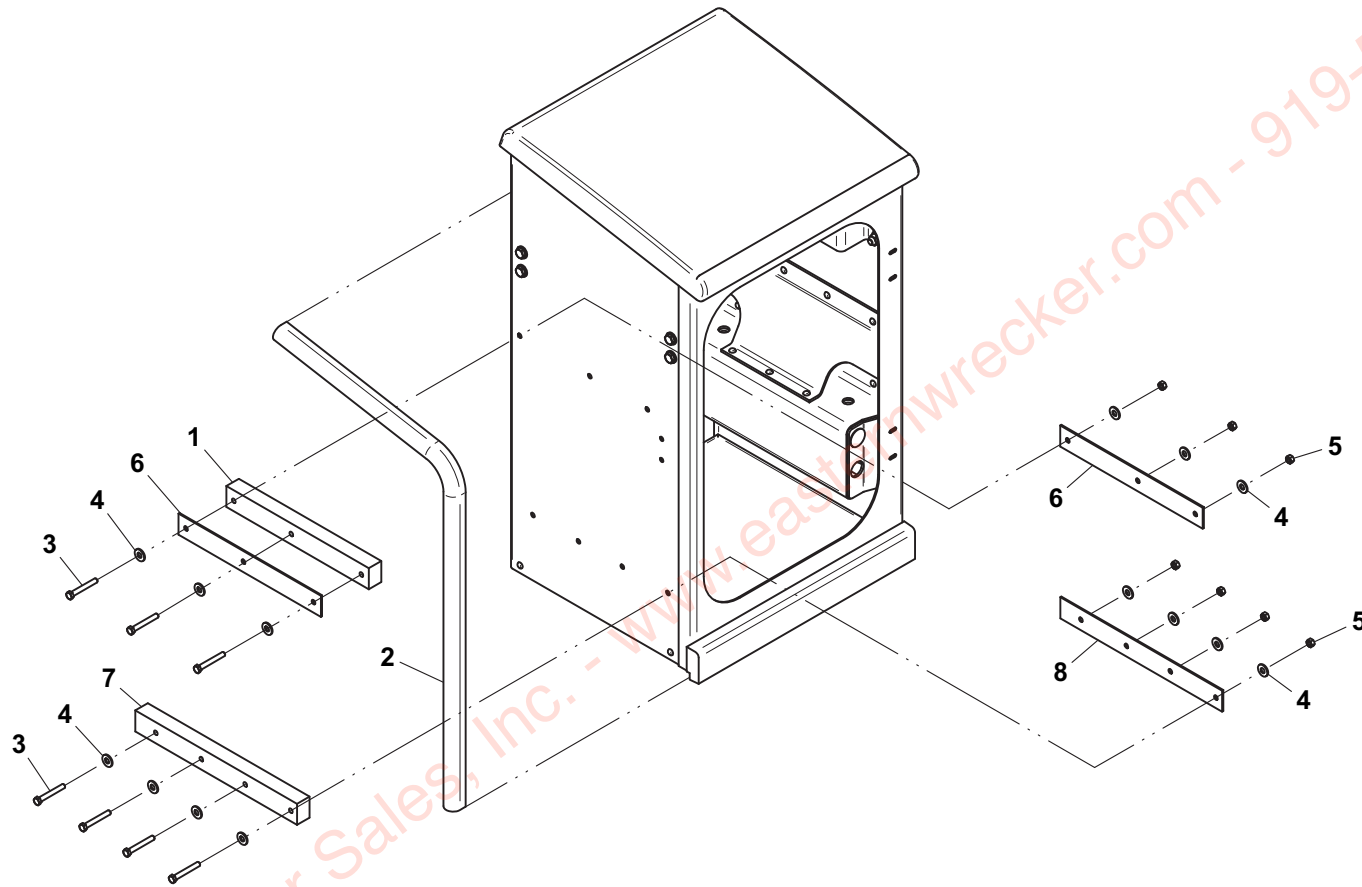


24" 3/4 STAND-A-LONE TOOL COMPARTMENT SPACER MOUNTNG ASSEMBLY - RH

ITEM	PART NO.	DESCRIPTION	QTY
1	4679000186	Spacer Pad	1
2	8632000011	Seal, Rubber "D"	5FT
3	7115162250	Capscrew, 0.38"-16NC x 2.75"	7
4	7950160163	Flatwasher, 0.38" ID	14
5	7660160001	Nut, 0.38"-16NC	7
6	4062000374	Bar	2
7	4679000187	Spacer Pad	1
8	4062000375	Bar	1

Eastern Wrecker Sales, Inc. - www.easternwrecker.com - 919-553-4038

24" 3/4 STAND-A-LONE TOOL COMPARTMENT SPACER MOUNTING ASSEMBLY - RH

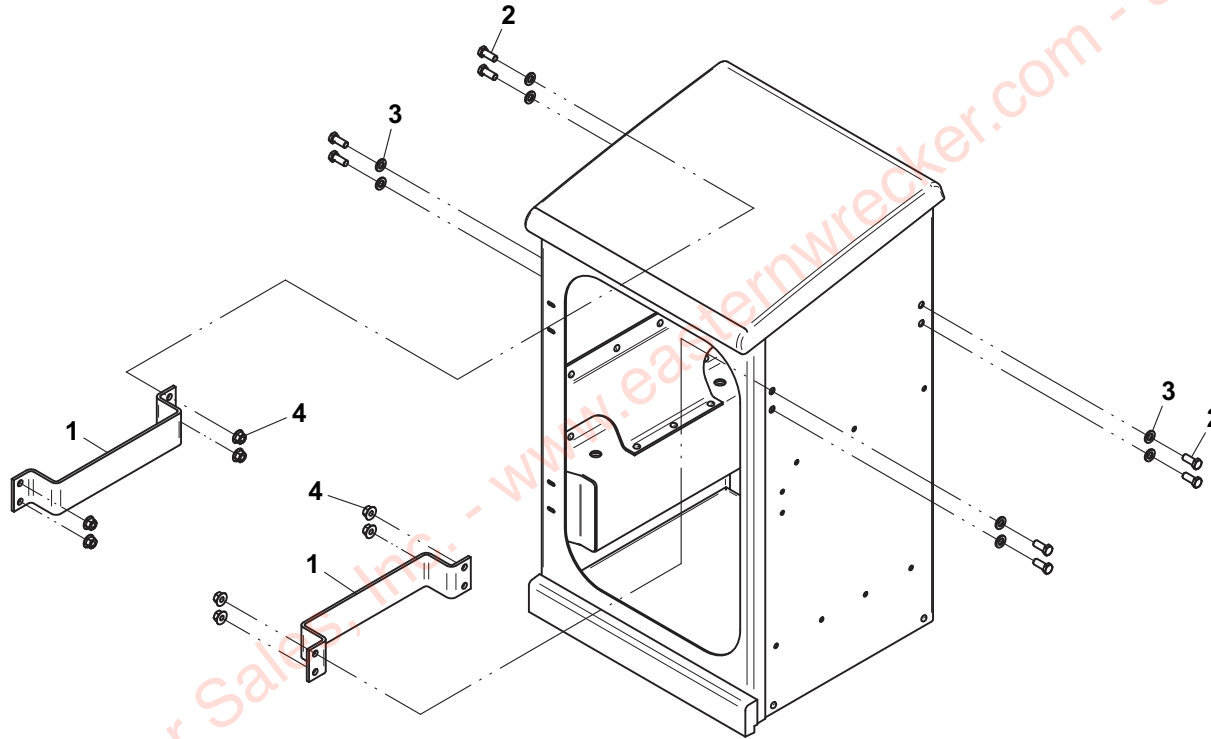


24" 3/4 STAND-A-LONE TOOL COMPARTMENT HANGER BRACKET ASSEMBLY - LH

ITEM	PART NO.	DESCRIPTION	QTY
1	4178000270	Bracket	2
2	7115181050	Capscrew, 0.50"-13NC x 1.25"	8
3	7950180153	Flatwasher, 0.50" ID	8
4	7660182301	Locknut, 0.50"-13NC	8

Eastern Wrecker Sales, Inc. - www.easternwrecker.com - 919-553-4038

24" 3/4 STAND-A-LONE TOOL COMPARTMENT HANGER BRACKET ASSEMBLY - LH

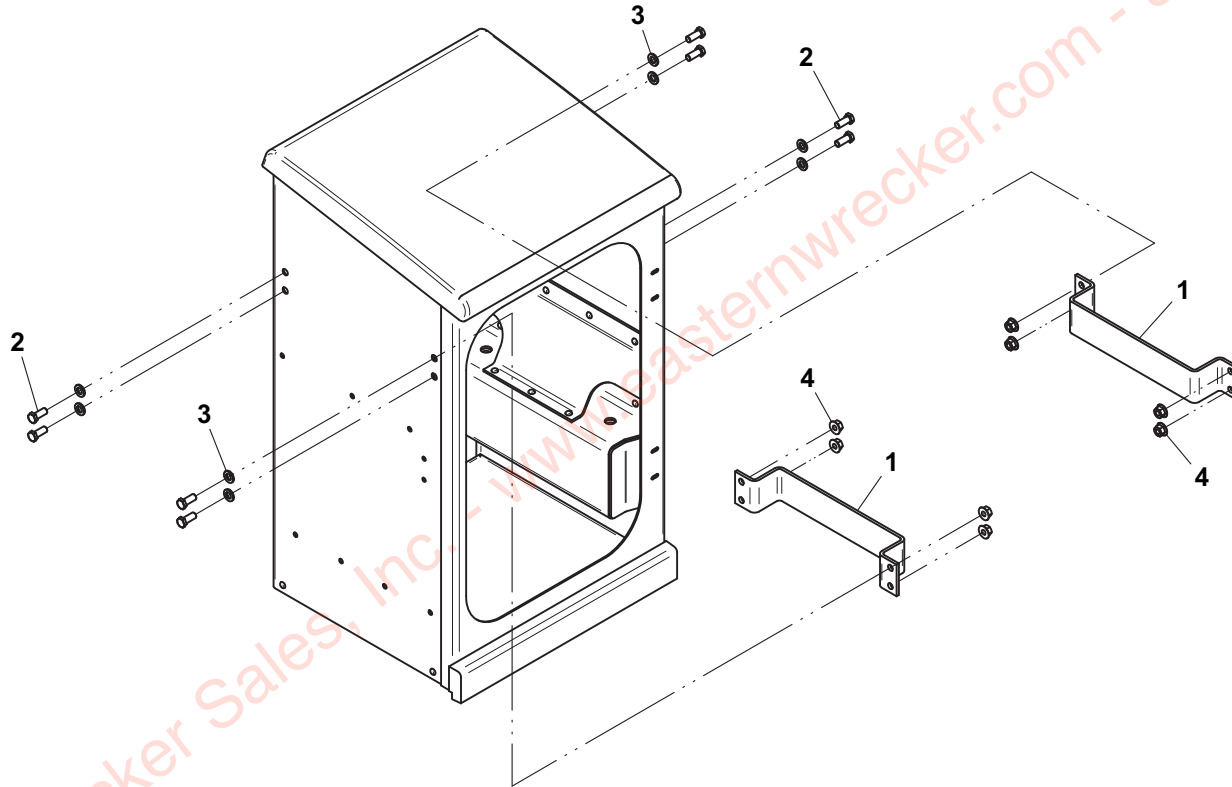


24" 3/4 STAND-A-LONE TOOL COMPARTMENT HANGER BRACKET ASSEMBLY - RH

ITEM	PART NO.	DESCRIPTION	QTY
1	4178000270	Bracket	2
2	7115181050	Capscrew, 0.50"-13NC x 1.25"	8
3	7950180153	Flatwasher, 0.50" ID	8
4	7660182301	Locknut, 0.50"-13NC	8

Eastern Wrecker Sales, Inc. - www.easternwrecker.com - 919-553-4038

24" 3/4 STAND-A-LONE TOOL COMPARTMENT HANGER BRACKET ASSEMBLY - RH

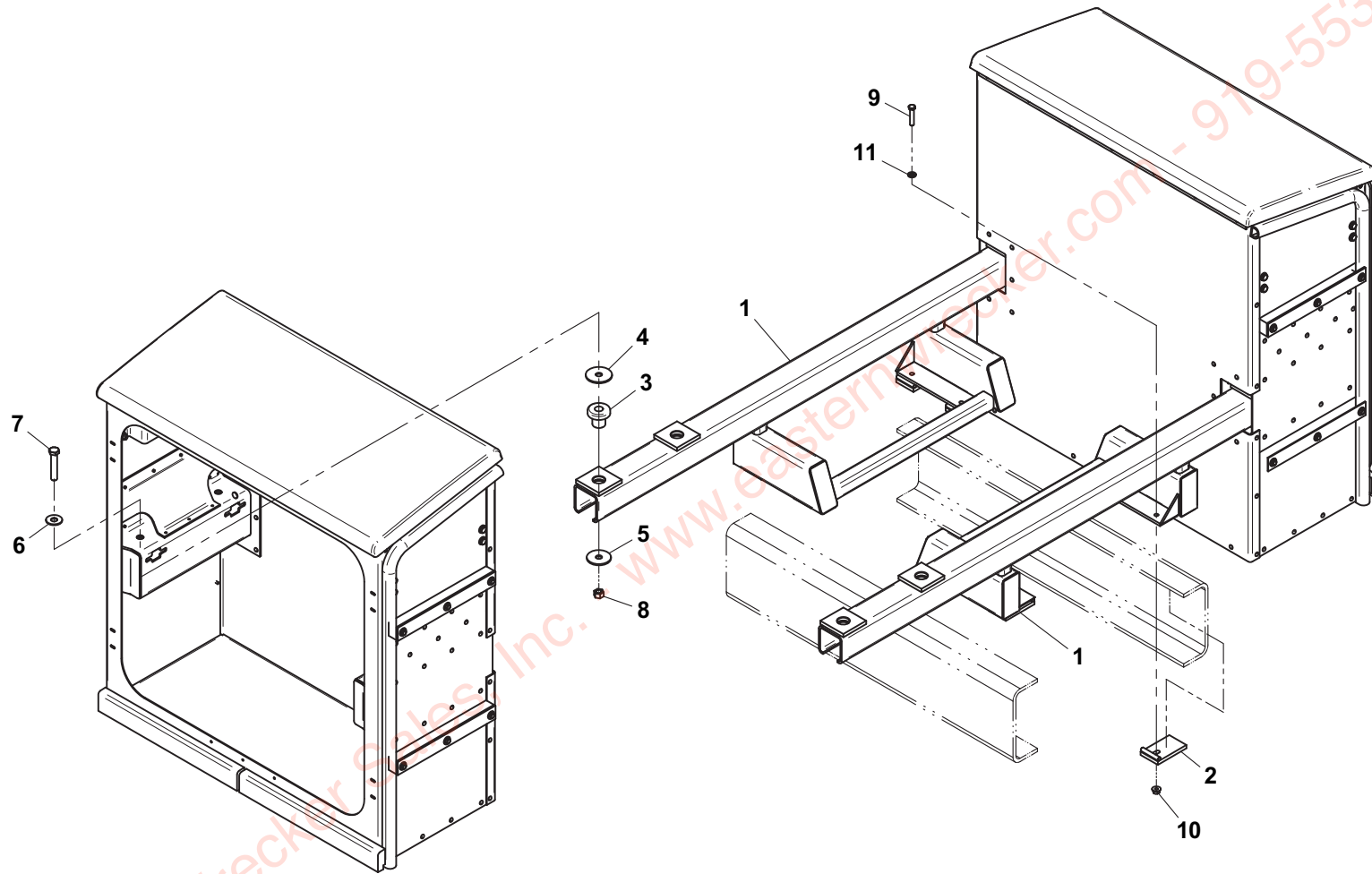


49" STAND-A-LONE TUNNEL TOOL COMPARTMENT INSTALLATION

ITEM	PART NO.	DESCRIPTION	QTY
1	3868000157	Subframe Weldment	2
2	3274000011	Clamp Weldment	8
3	7636000007	Rubber Mount	8
4	7949000017	Washer, Snub Head	16
5	7949000018	Washer, Snub Tail	8
6	7590220161	Flatwasher, 0.75" ID	8
7	7115223250	Capscrew, 0.75"-10NC x 4.00"	8
8	7660220001	Nut, 0.75"-10NC	8
9	7115182050	Capscrew, 0.50"-13NC x 2.50"	8
10	7660182301	Locknut, 0.50"-13NC	8
11	7950180252	Flatwasher, 0.50" ID	8

Eastern Wrecker Sales, Inc. - www.easternwrecker.com - 919-553-4038

49" STAND-A-LONE TUNNEL TOOL COMPARTMENT INSTALLATION



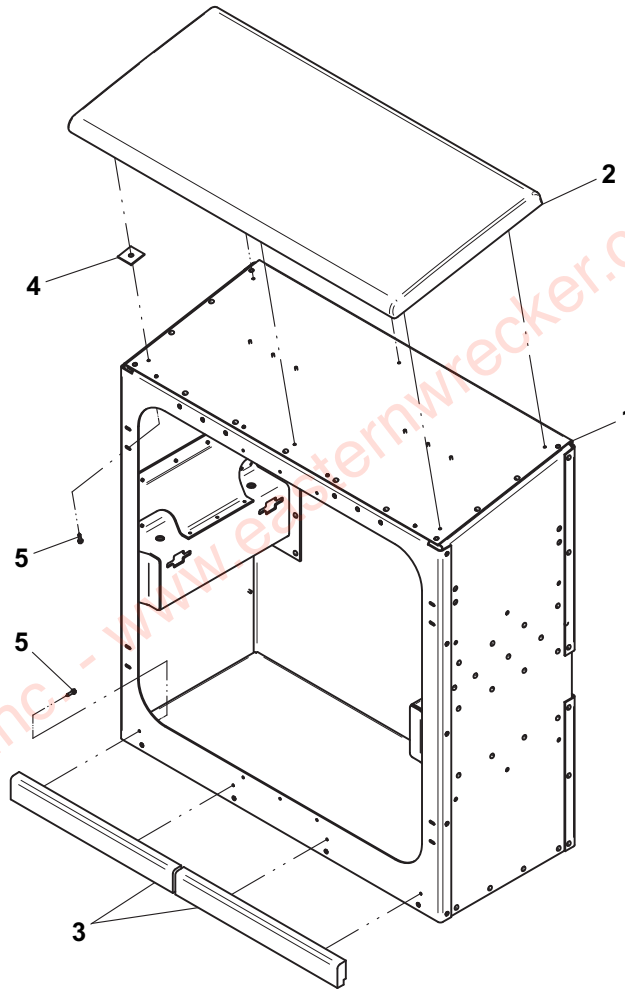
Toolbox Doors not Shown For Clarity

49" STAND-A-LONE TOOL COMPARTMENT PANEL ASSEMBLY - LH

ITEM	PART NO.	DESCRIPTION	QTY
1	3502740111	Bonding Assembly - LH	1
2	7686000050	Cap Panel	1
3	7686000031	Filler Strip Panel	2
4	4679000120	Pad, Rubber - 0.12" Thk	6
5	7790141651	Screw, Self Tapping - 0.25" Dia x 1.00"	10

Eastern Wrecker Sales, Inc. - www.easternwrecker.com - 919-553-4038

49" STAND-A-LONE TOOL COMPARTMENT PANEL ASSEMBLY - LH

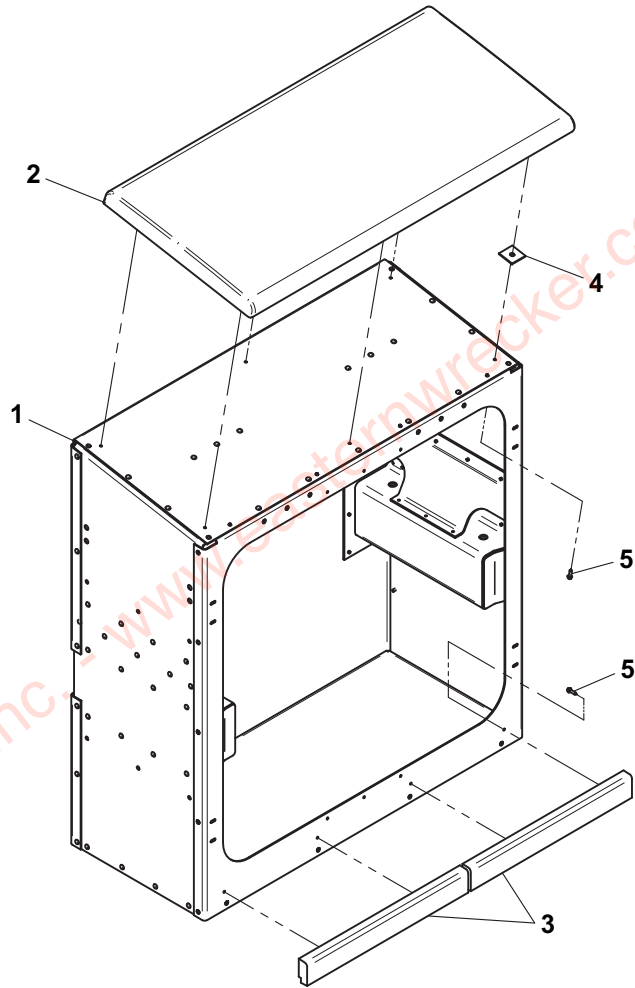


49" STAND-A-LONE TOOL COMPARTMENT PANEL ASSEMBLY - RH

ITEM	PART NO.	DESCRIPTION	QTY
1	3502740116	Bonding Assembly - RH	1
2	7686000050	Cap Panel	1
3	7686000031	Filler Strip Panel	2
4	4679000120	Pad, Rubber - 0.12" Thk	6
5	7790141651	Screw, Self Tapping - 0.25" Dia x 1.00"	10

Eastern Wrecker Sales, Inc. - www.easternwrecker.com - 919-553-4038

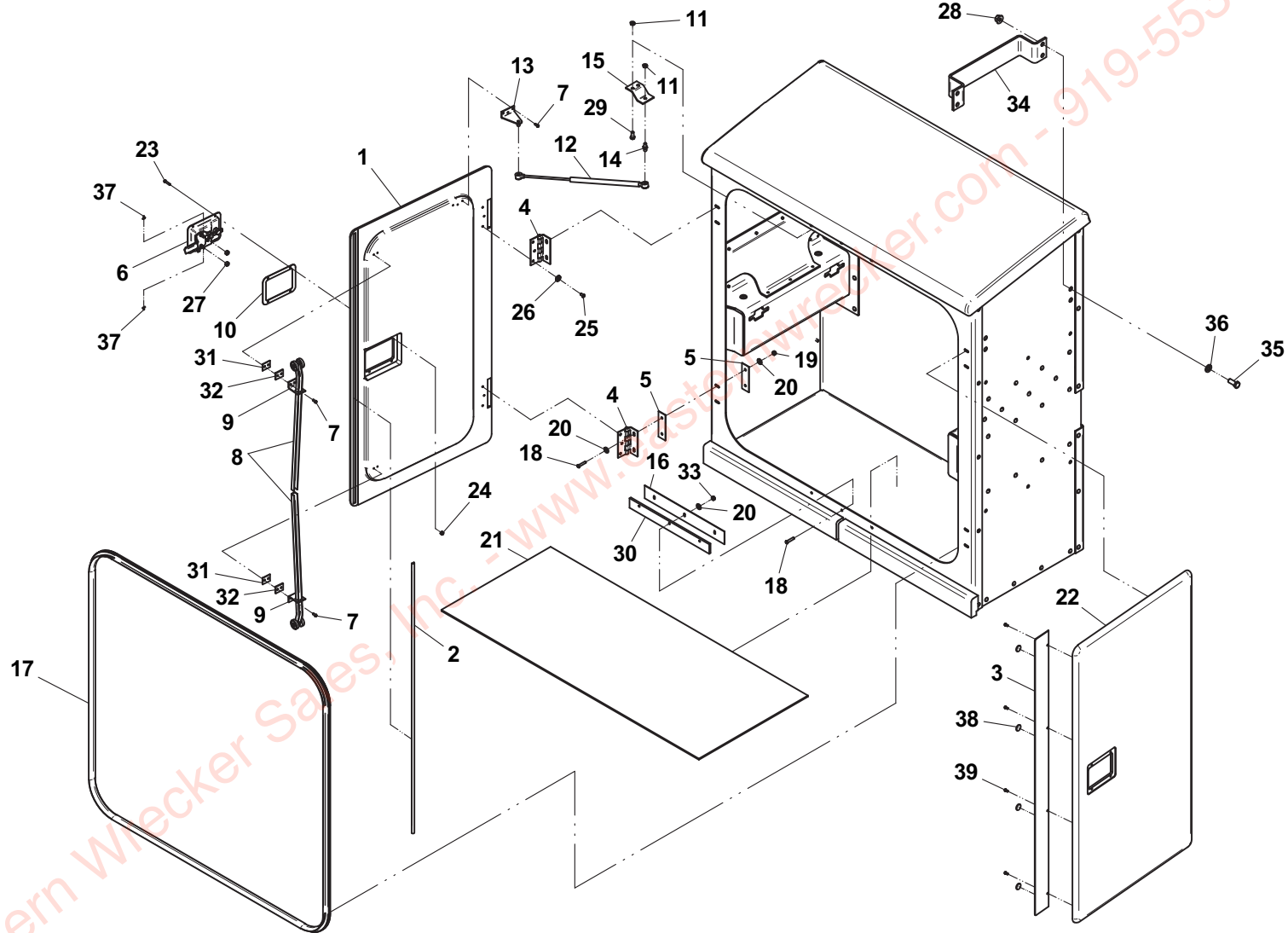
49" STAND-A-LONE TOOL COMPARTMENT PANEL ASSEMBLY - RH



49" STAND-A-LONE TOOL COMPARTMENT DOOR AND HARDWARE ASSEMBLY - LH

ITEM	PART NO.	DESCRIPTION	QTY	ITEM	PART NO.	DESCRIPTION	QTY
1	4686000186	Door Panel	1	35	7115181050	Capscrew, 0.50"-13NC x 1.25"	8
2	4632000025	Seal, Vertical Door	1	36	7950180153	Flatwasher, 0.50" ID	8
3	4811000355	Sheet	1	37	7690000810	Pin, Cotter	4
4	7555000002	Hinge	4	38	7189000015	Bumper	4
5	4812000052	Shim	8	39	7114100318	Capscrew, #10-24NC x 0.38"	4
6	7585000011	Latch, "T" Handle	2				
7	7114100418	Capscrew, #10-24NC x 0.50"	14				
8	4585000016	Latch Roller	4				
9	4178000337	Bracket	4				
10	7796000031	Gasket	2				
11	7660152604	Locknut, 0.31"-18NC	6				
12	7843000020	Gas Spring - 6.00" Stroke	2				
13	7178000023	Bracket, Ball Stud	2				
14	7865000001	Ball Stud	2				
15	4178000240	Bracket	2				
16	4811000335	Sheet	2				
17	4632000024	Seal, Vertical Door	1				
18	7114141018	Capscrew, 0.25"-20NC x 1.25"	14				
19	7660142604	Locknut, 0.25"-20NC	8				
20	7950140163	Flatwasher, 0.25 ID	22				
21	4679000181	Pad, Rubber	1				
22	4686000185	Door Panel	1				
23	7114100818	Capscrew, #10-24NC x 1.00	8				
24	7660102604	Locknut, #10-24NC	8				
25	7114140418	Capscrew, 0.25"-20NC x 0.50"	12				
26	7950140503	Lockwasher, 0.25" ID	12				
27	7831000040	Spacer	4				
28	7660182301	Locknut, 0.50"-13NC	8				
29	7114150650	Capscrew, 0.31"-18NC x 0.75"	4				
30	4062000368	Bar	2				
31	4811000336	Sheet	4				
32	4811000337	Sheet	4				
33	7660140001	Nut, 0.25"-20NC	6				
34	4178000341	Bracket	2				

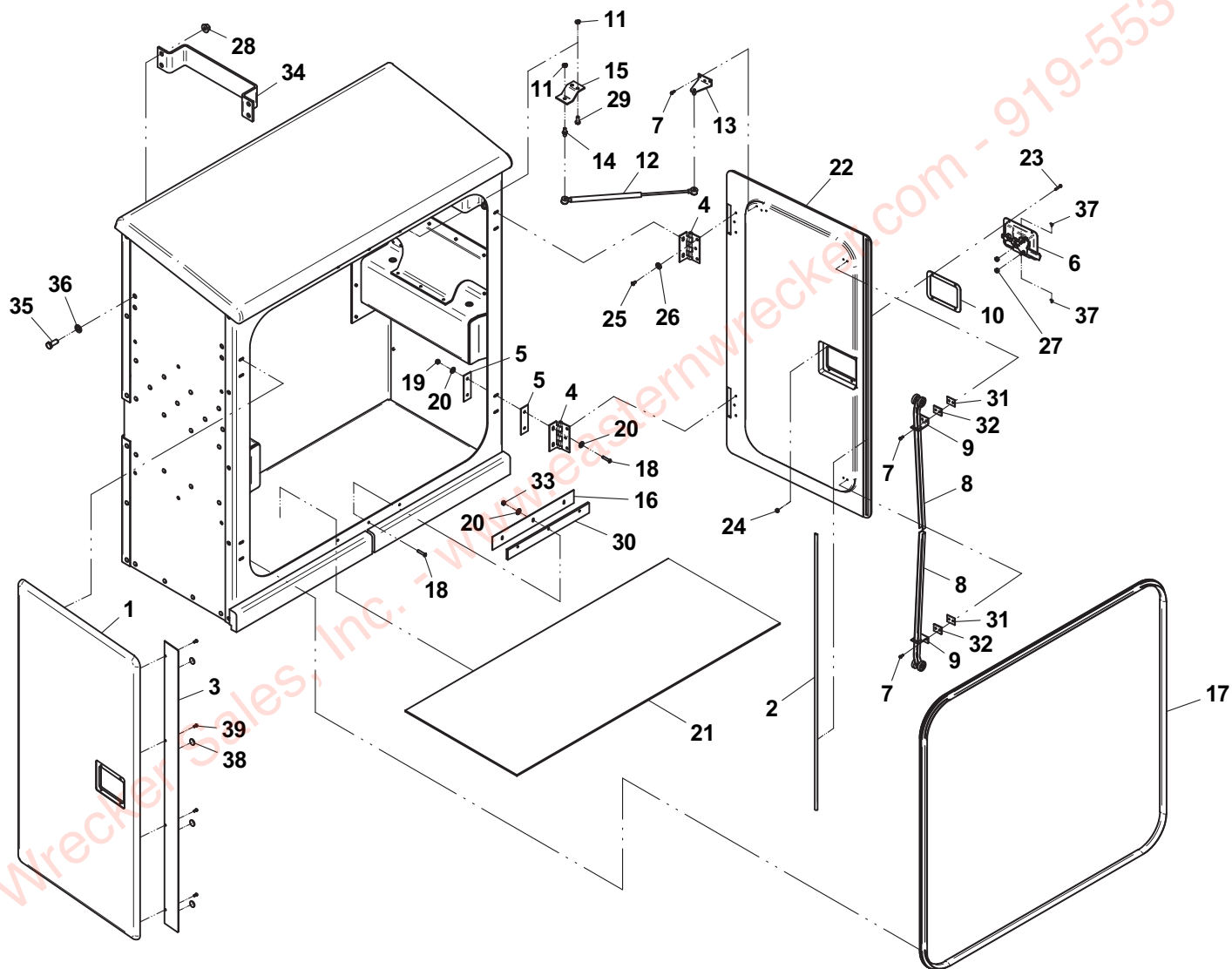
49" STAND-A-LONE TOOL COMPARTMENT DOOR AND HARDWARE ASSEMBLY - LH



49" STAND-A-LONE TOOL COMPARTMENT DOOR AND HARDWARE ASSEMBLY - RH

ITEM	PART NO.	DESCRIPTION	QTY	ITEM	PART NO.	DESCRIPTION	QTY
1	4686000133	Door Panel	1	35	7115181050	Capscrew, 0.50"-13NC x 1.25"	8
2	4632000025	Seal, Vertical Door	1	36	7950180153	Flatwasher, 0.50" ID	8
3	4811000355	Sheet	1	37	7690000810	Pin, Cotter	4
4	7555000002	Hinge	4	38	7189000015	Bumper	4
5	4812000052	Shim	8	39	7114100318	Capscrew, #10-24NC x 0.38"	4
6	7585000011	Latch, "T" Handle	2				
7	7114100418	Capscrew, #10-24NC x 0.50"	14				
8	4585000016	Latch Roller	4				
9	4178000337	Bracket	4				
10	7796000031	Gasket	2				
11	7660152604	Locknut, 0.31"-18NC	6				
12	7843000020	Gas Spring - 6.00" Stroke	2				
13	7178000023	Bracket, Ball Stud	2				
14	7865000001	Ball Stud	2				
15	4178000240	Bracket	2				
16	4811000335	Sheet	2				
17	4632000024	Seal, Vertical Door	1				
18	7114141018	Capscrew, 0.25"-20NC x 1.25"	14				
19	7660142604	Locknut, 0.25"-20NC	8				
20	7950140163	Flatwasher, 0.25 ID	22				
21	4679000181	Pad, Rubber	1				
22	7686000134	Door Panel	1				
23	7114100818	Capscrew, #10-24NC x 1.00	8				
24	7660102604	Locknut, #10-24NC	8				
25	7114140418	Capscrew, 0.25"-20NC x 0.50"	12				
26	7950140503	Lockwasher, 0.25" ID	12				
27	7831000040	Spacer	4				
28	7660182301	Locknut, 0.50"-13NC	8				
29	7114150650	Capscrew, 0.31"-18NC x 0.75"	4				
30	4062000368	Bar	2				
31	4811000336	Sheet	4				
32	4811000337	Sheet	4				
33	7660140001	Nut, 0.25"-20NC	6				
34	4178000341	Bracket	2				

49" STAND-A-LONE TOOL COMPARTMENT DOOR AND HARDWARE ASSEMBLY - RH

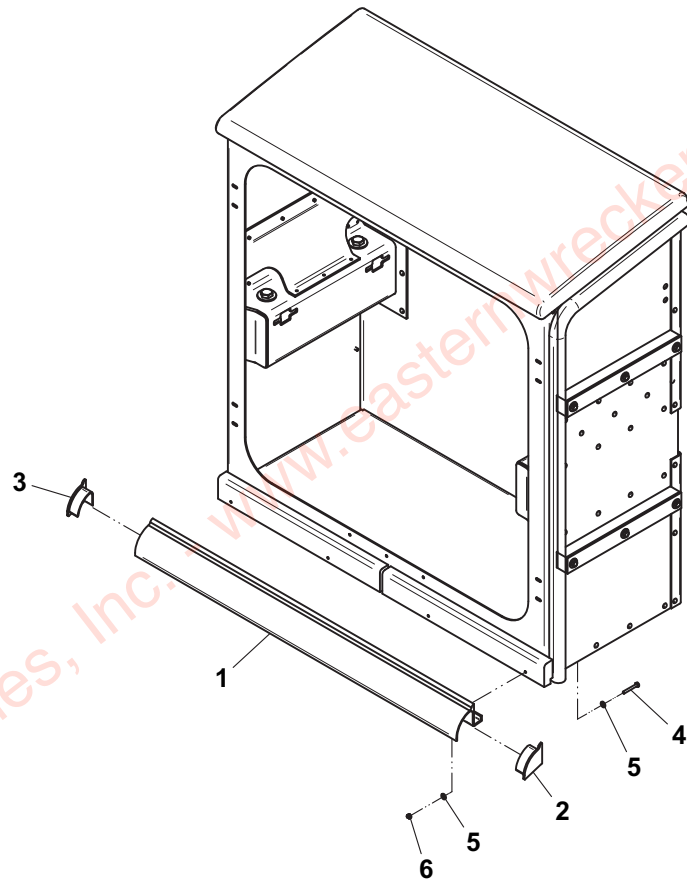


49" STAND-A-LONE TOOL COMPARTMENT FENDER FLARE ASSEMBLY

ITEM	PART NO.	DESCRIPTION	QTY
1	4415000046	Flare, Body	2
2	7415000013	Flare, Body Cap - RH	2
3	7415000014	Flare, Body Cap - LH	2
4	7114141850	Capscrew, 0.25"-20NC x 2.25"	6
5	7950140151	Flatwasher, 0.25" ID	12
6	7660142604	Locknut, 0.25"-20NC	6

Eastern Wrecker Sales, Inc. - www.easternwrecker.com - 919-553-4038

49" STAND-A-LONE TOOL COMPARTMENT FENDER FLARE ASSEMBLY

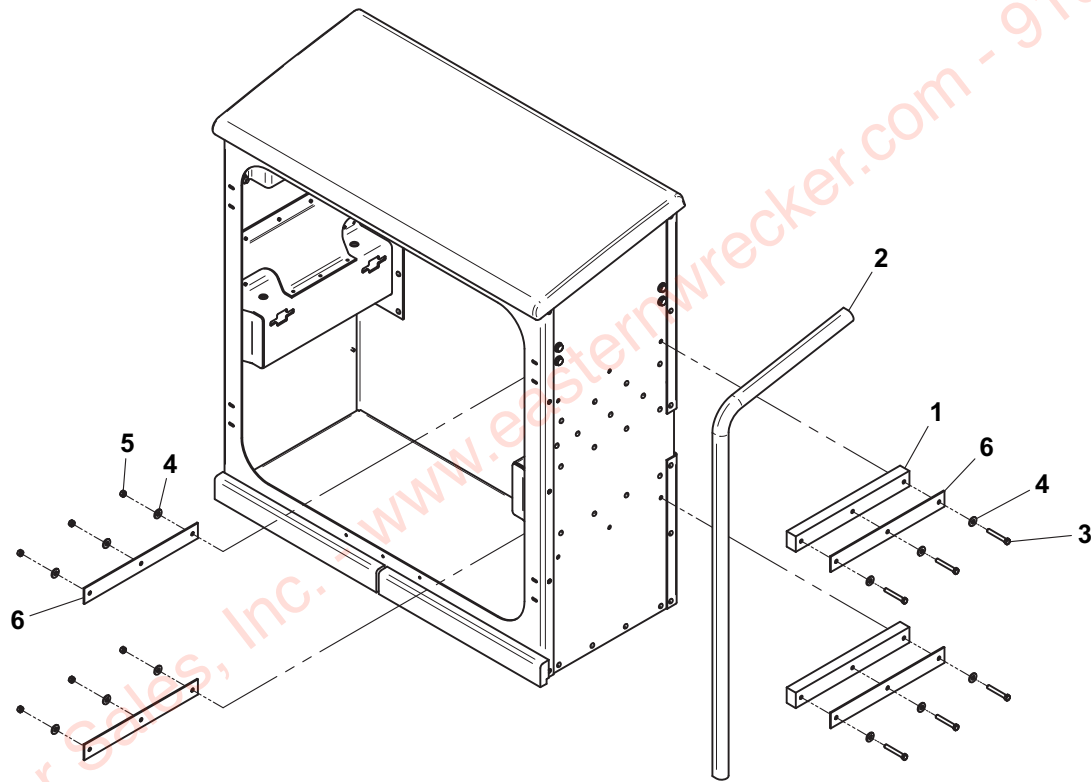


49" STAND-A-LONE TOOL COMPARTMENT SPACER MOUNTNG ASSEMBLY - LH

ITEM	PART NO.	DESCRIPTION	QTY
1	4679000136	Spacer Pad	2
2	8632000011	Seal, Rubber "D"	6FT
3	7115162250	Capscrew, 0.38"-16NC x 2.75"	6
4	7950160163	Flatwasher, 0.38" ID	12
5	7660160001	Nut, 0.38"-16NC	6
6	4062000243	Bar	2

Eastern Wrecker Sales, Inc. - www.easternwrecker.com - 919-553-4038

49" STAND-A-LONE TOOL COMPARTMENT SPACER MOUNTING ASSEMBLY - LH

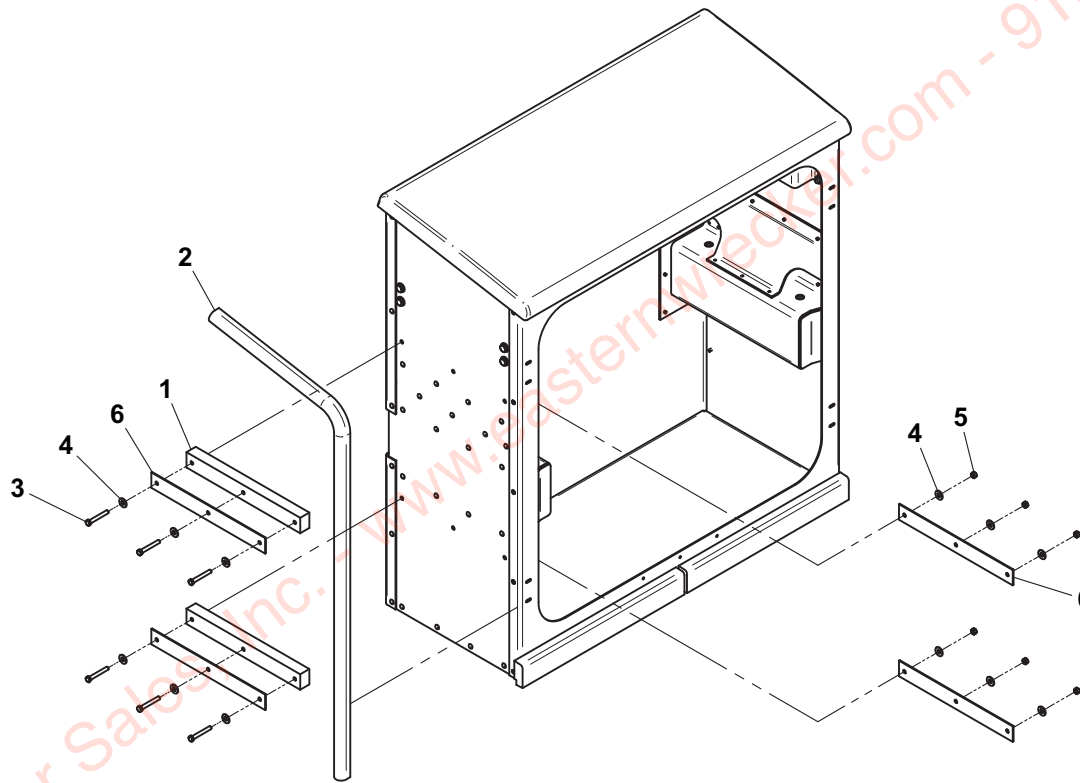


49" STAND-A-LONE TOOL COMPARTMENT SPACER MOUNTNG ASSEMBLY - RH

ITEM	PART NO.	DESCRIPTION	QTY
1	4679000136	Spacer Pad	2
2	8632000011	Seal, Rubber "D"	6FT
3	7115162250	Capscrew, 0.38"-16NC x 2.75"	6
4	7950160163	Flatwasher, 0.38" ID	12
5	7660160001	Nut, 0.38"-16NC	6
6	4062000243	Bar	2

Eastern Wrecker Sales, Inc. - www.easternwrecker.com - 919-553-4038

49" STAND-A-LONE TOOL COMPARTMENT SPACER MOUNTING ASSEMBLY - RH

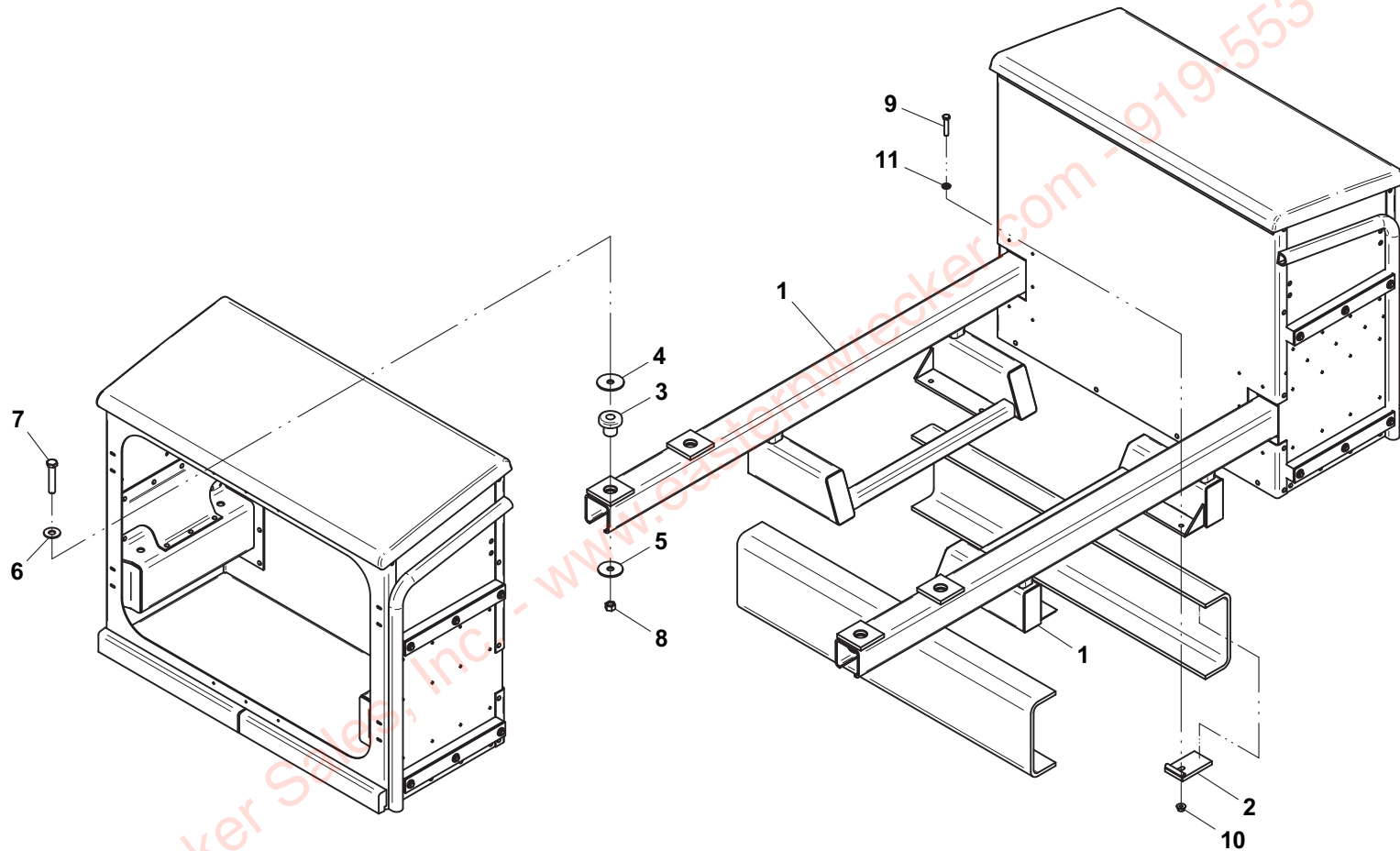


49" 3/4 HEIGHT STAND-A-LONE TOOL COMPARTMENT INSTALLATION

ITEM	PART NO.	DESCRIPTION	QTY
1	3868000157	Subframe Weldment	2
2	3274000011	Clamp Weldment	8
3	7636000007	Rubber Mount	8
4	7949000017	Washer, Snub Head	16
5	7949000018	Washer, Snub Tail	8
6	7590220161	Flatwasher, 0.75" ID	8
7	7115223250	Capscrew, 0.75"-10NC x 4.00"	8
8	7660220001	Nut, 0.75"-10NC	8
9	7115182050	Capscrew, 0.50"-13NC x 2.50"	8
10	7660182301	Locknut, 0.50"-13NC	8
11	7950180252	Flatwasher, 0.50" ID	8

Eastern Wrecker Sales, Inc. - www.easternwrecker.com - 919-553-4038

49" 3/4 HEIGHT STAND-A-LONE TOOL COMPARTMENT INSTALLATION



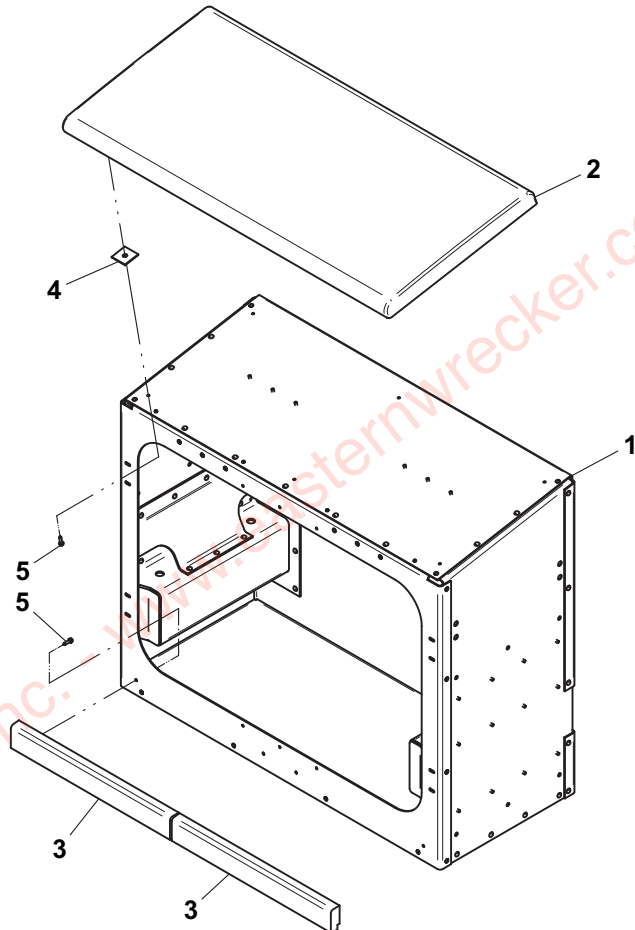
Toolbox Doors not Shown For Clarity

49" 3/4 HEIGHT STAND-A-LONE TOOL COMPARTMENT PANEL ASSEMBLY - LH

ITEM	PART NO.	DESCRIPTION	QTY
1	3502740114	Bonding Assembly	1
2	7686000050	Cap Panel	1
3	7686000031	Filler Strip Panel	2
4	4679000120	Pad, Rubber - 0.12" Thk	6
5	7790141651	Screw, Self Tapping - 0.25" Dia x 1.00"	10

Eastern Wrecker Sales, Inc. - www.easternwrecker.com - 919-553-4038

49" 3/4 HEIGHT STAND-A-LONE TOOL COMPARTMENT PANEL ASSEMBLY - LH

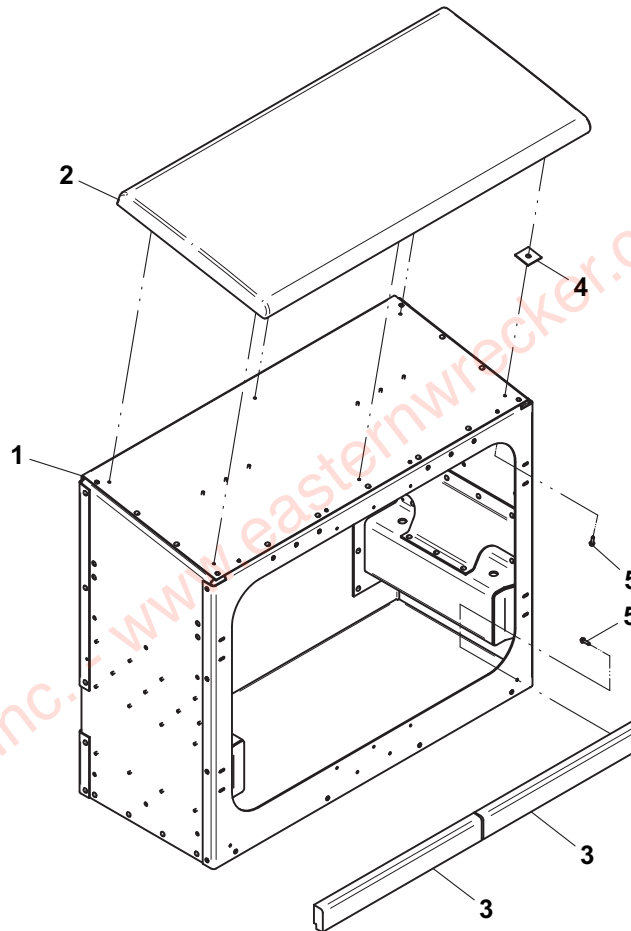


49" 3/4 HEIGHT STAND-A-LONE TOOL COMPARTMENT PANEL ASSEMBLY - RH

ITEM	PART NO.	DESCRIPTION	QTY
1	3502740114	Bonding Assembly	1
2	7686000050	Cap Panel	1
3	7686000031	Filler Strip Panel	2
4	4679000120	Pad, Rubber - 0.12" Thk	6
5	7790141651	Screw, Self Tapping - 0.25" Dia x 1.00"	10

Eastern Wrecker Sales, Inc. - www.easternwrecker.com - 919-553-4038

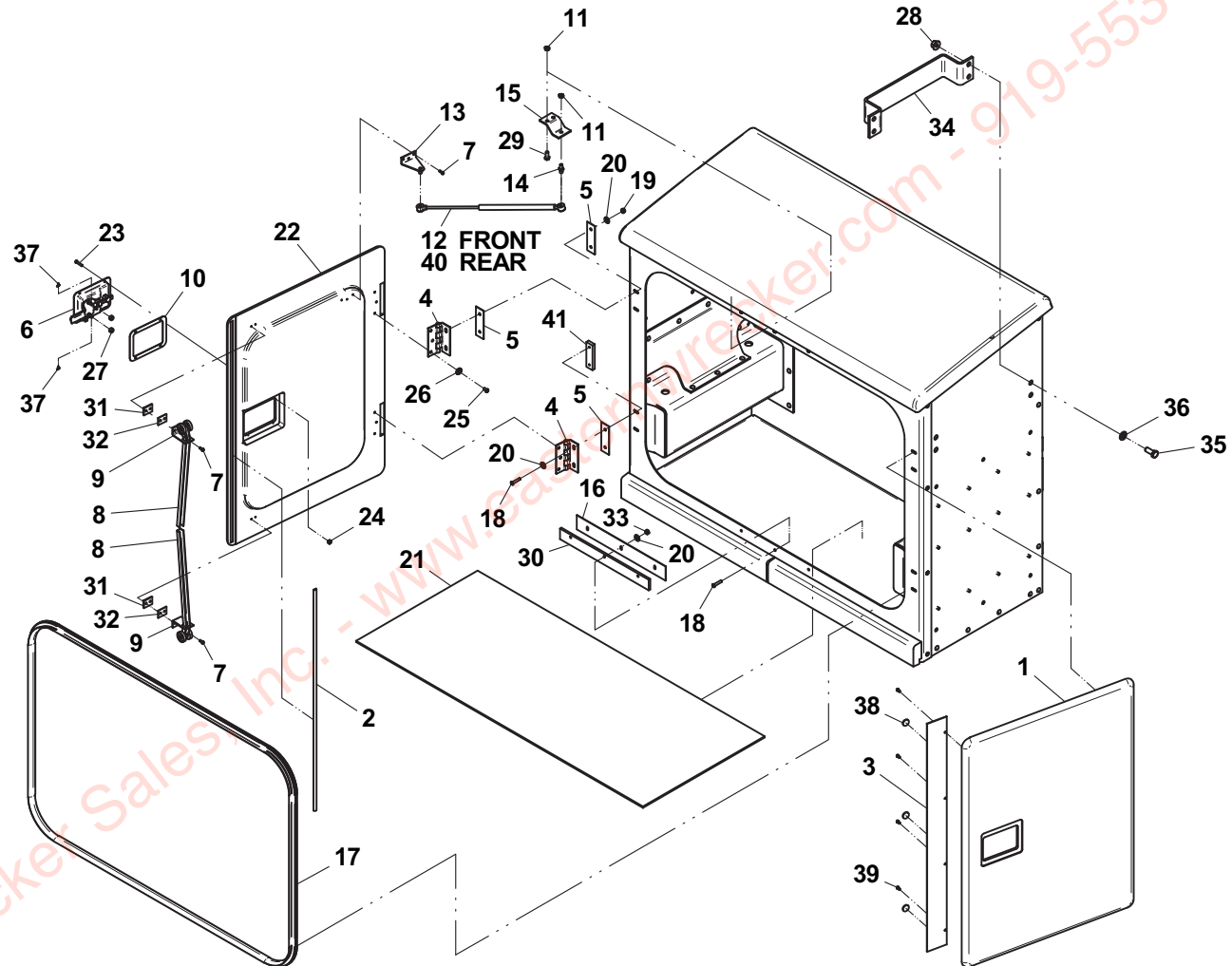
49" 3/4 HEIGHT STAND-A-LONE TOOL COMPARTMENT PANEL ASSEMBLY - RH



49" 3/4 HEIGHT STAND-A-LONE TOOL COMPARTMENT DOOR AND HARDWARE ASSEMBLY - LH

ITEM	PART NO.	DESCRIPTION	QTY	ITEM	PART NO.	DESCRIPTION	QTY
1	4686000187	Door Panel	1	35	7115181050	Capscrew, 0.50"-13NC x 1.25"	8
2	4632000019	Seal, Vertical Door	1	36	7950180153	Flatwasher, 0.50" ID	8
3	4811000332	Sheet	1	37	7690000810	Pin, Cotter	4
4	7555000002	Hinge	2	38	7189000015	Bumper	3
5	4812000052	Shim	6	39	7114100318	Capscrew, #10-24NC x 0.38"	4
6	7585000011	Latch, "T" Handle	2	40	7843000026	Gas Spring - 5.50" Stroke	1
7	7114100418	Capscrew, #10-24NC x 0.50"	14				
8	7585000010	Latch Roller	4				
9	4178000334	Bracket	4				
10	7796000031	Gasket	2				
11	7660152604	Locknut, 0.31"-18NC	6				
12	7843000020	Gas Spring - 6.00" Stroke	1				
13	7178000023	Bracket, Ball Stud	2				
14	7865000001	Ball Stud	2				
15	4178000240	Bracket	2				
16	4811000335	Sheet	2				
17	4632000020	Seal, Vertical Door	1				
18	7114141018	Capscrew, 0.25"-20NC x 1.25"	14				
19	7660142604	Locknut, 0.25"-20NC	4				
20	7950140163	Flatwasher, 0.25 ID	18				
21	4679000181	Pad, Rubber	1				
22	4686000188	Door Panel	1				
23	7114100818	Capscrew, #10-24NC x 1.00	8				
24	7660102604	Locknut, #10-24NC	8				
25	7114140418	Capscrew, 0.25"-20NC x 0.50"	12				
26	7950140503	Lockwasher, 0.25" ID	12				
27	7831000040	Spacer	4				
28	7660182301	Locknut, 0.50"-13NC	8				
29	7114150650	Capscrew, 0.31"-18NC x 0.75"	4				
30	4062000368	Bar	2				
31	4811000336	Sheet	4				
32	4811000337	Sheet	4				
33	7660140001	Nut, 0.25"-20NC	6				
34	4178000341	Bracket	2				

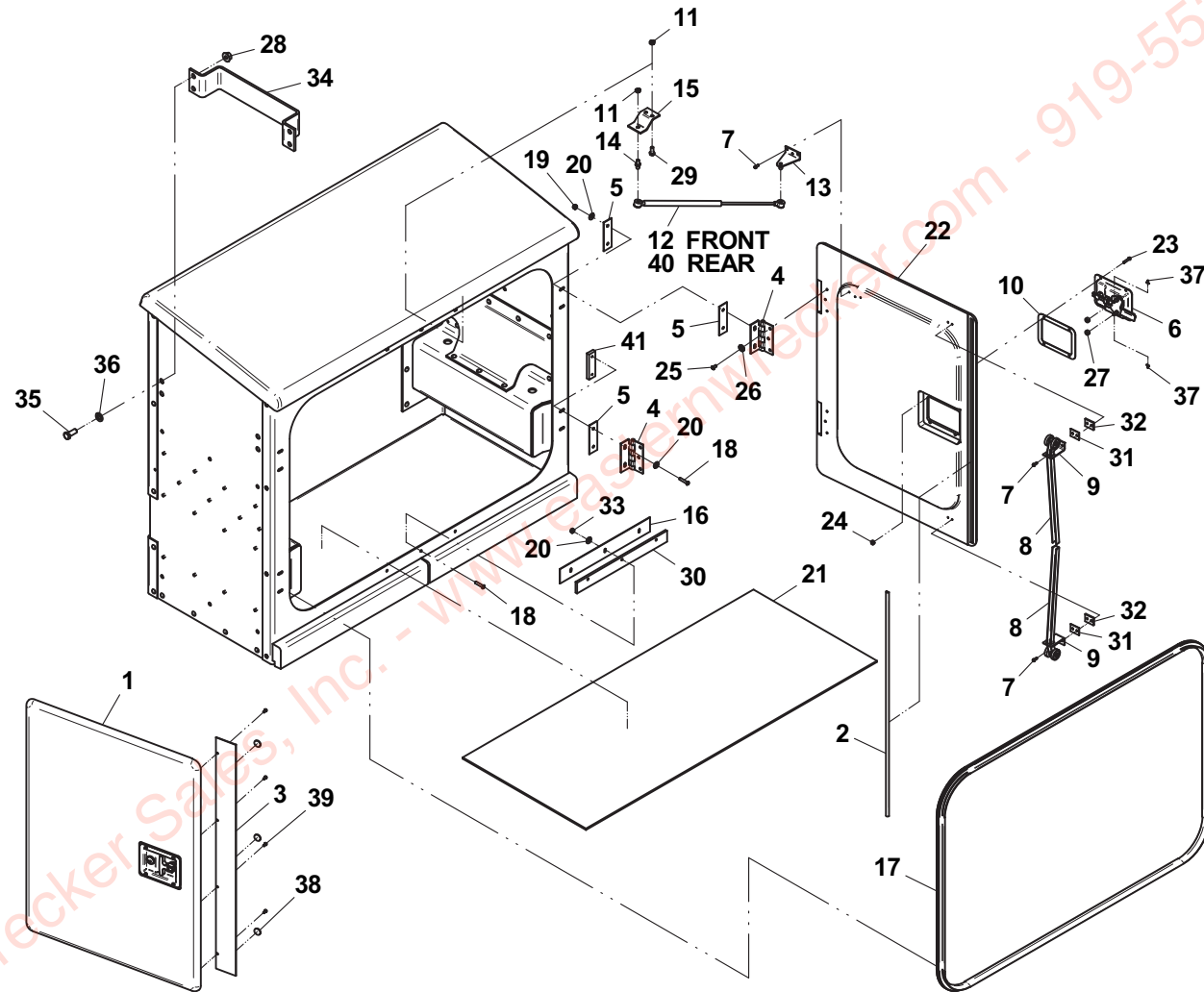
49" 3/4 HEIGHT STAND-A-LONE TOOL COMPARTMENT DOOR AND HARDWARE ASSEMBLY - LH



49" 3/4 HEIGHT STAND-A-LONE TOOL COMPARTMENT DOOR AND HARDWARE ASSEMBLY - RH

ITEM	PART NO.	DESCRIPTION	QTY	ITEM	PART NO.	DESCRIPTION	QTY
1	4686000166	Door Panel	1	35	7115181050	Capscrew, 0.50"-13NC x 1.25"	8
2	4632000019	Seal, Vertical Door	1	36	7950180153	Flatwasher, 0.50" ID	8
3	4811000332	Sheet	1	37	7690000810	Pin, Cotter	4
4	7555000002	Hinge	2	38	7189000015	Bumper	3
5	4812000052	Shim	6	39	7114100318	Capscrew, #10-24NC x 0.38"	4
6	7585000011	Latch, "T" Handle	2	40	7843000026	Gas Spring - 5.50" Stroke	1
7	7114100418	Capscrew, #10-24NC x 0.50"	14				
8	7585000010	Latch Roller	4				
9	4178000334	Bracket	4				
10	7796000031	Gasket	2				
11	7660152604	Locknut, 0.31"-18NC	6				
12	7843000020	Gas Spring - 6.00" Stroke	1				
13	7178000023	Bracket, Ball Stud	2				
14	7865000001	Ball Stud	2				
15	4178000240	Bracket	2				
16	4811000335	Sheet	2				
17	4632000020	Seal, Vertical Door	1				
18	7114141018	Capscrew, 0.25"-20NC x 1.25"	14				
19	7660142604	Locknut, 0.25"-20NC	4				
20	7950140163	Flatwasher, 0.25 ID	18				
21	4679000181	Pad, Rubber	1				
22	4686000167	Door Panel	1				
23	7114100818	Capscrew, #10-24NC x 1.00	8				
24	7660102604	Locknut, #10-24NC	8				
25	7114140418	Capscrew, 0.25"-20NC x 0.50"	12				
26	7950140503	Lockwasher, 0.25" ID	12				
27	7831000040	Spacer	4				
28	7660182301	Locknut, 0.50"-13NC	8				
29	7114150650	Capscrew, 0.31"-18NC x 0.75"	4				
30	4062000368	Bar	2				
31	4811000336	Sheet	4				
32	4811000337	Sheet	4				
33	7660140001	Nut, 0.25"-20NC	6				
34	4178000341	Bracket	2				

49" 3/4 HEIGHT STAND-A-LONE TOOL COMPARTMENT DOOR AND HARDWARE ASSEMBLY - RH

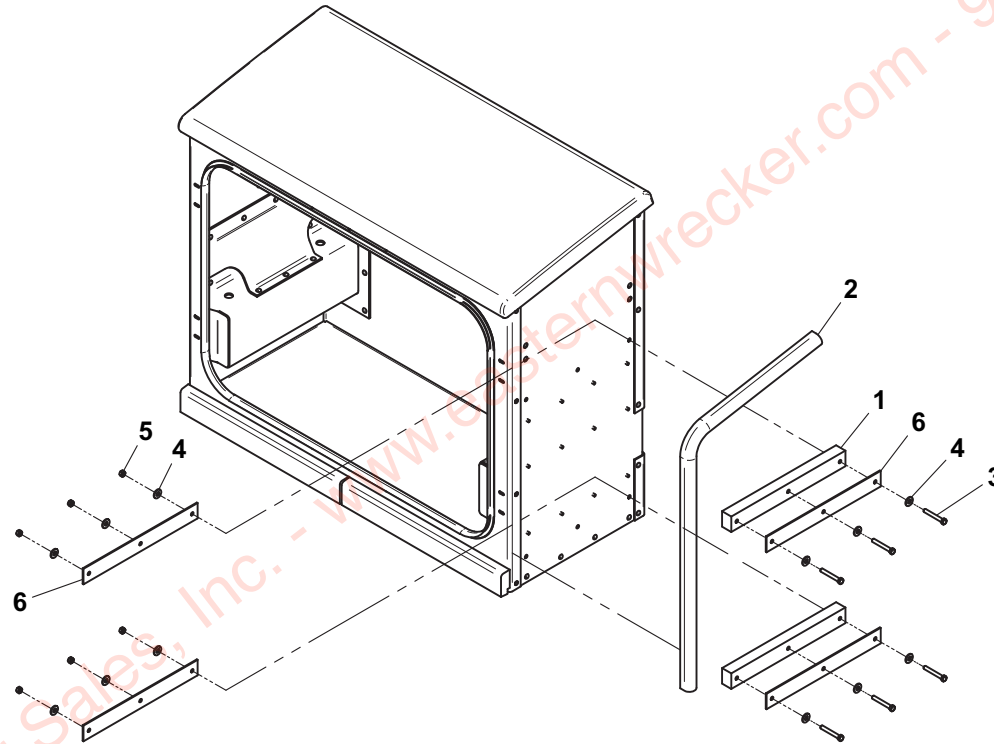


49" 3/4 HEIGHT STAND-A-LONE TOOL COMPARTMENT SPACER MOUNTNG ASSEMBLY - LH

ITEM	PART NO.	DESCRIPTION	QTY
1	4679000136	Spacer Pad	2
2	8632000011	Seal, Rubber "D"	6FT
3	7115162250	Capscrew, 0.38"-16NC x 2.75"	6
4	7950160163	Flatwasher, 0.38" ID	12
5	7660160001	Nut, 0.38"-16NC	6
6	4062000243	Bar	2

Eastern Wrecker Sales, Inc. - www.easternwrecker.com - 919-553-4038

49" 3/4 HEIGHT STAND-A-LONE TOOL COMPARTMENT SPACER MOUNTING ASSEMBLY - LH

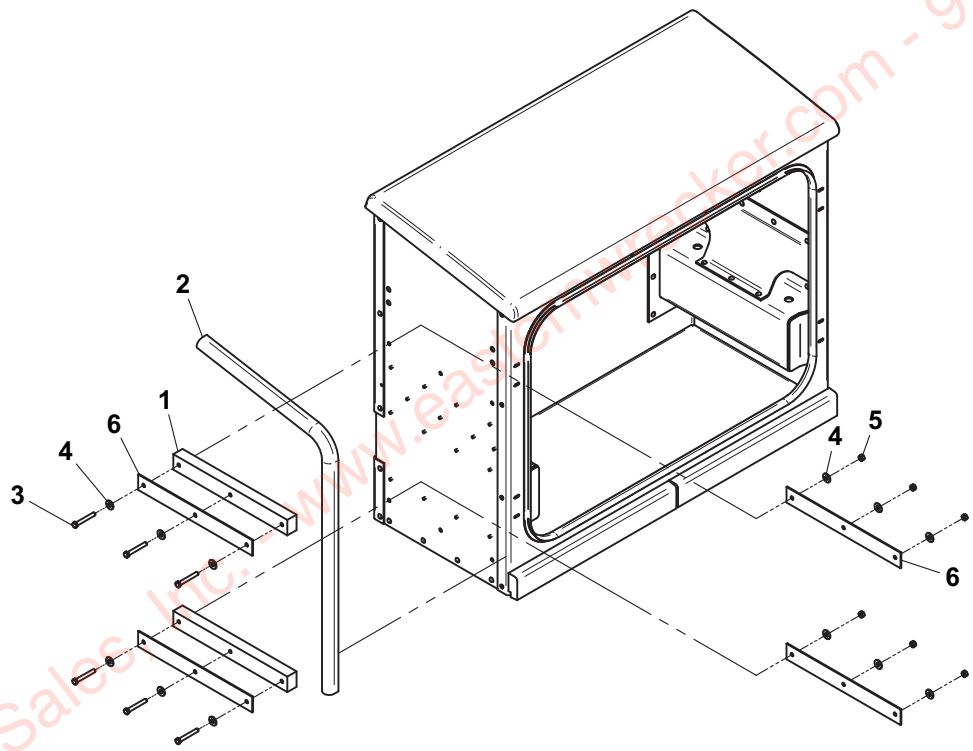


49" 3/4 HEIGHT STAND-A-LONE TOOL COMPARTMENT SPACER MOUNTNG ASSEMBLY - RH

ITEM	PART NO.	DESCRIPTION	QTY
1	4679000136	Spacer Pad	2
2	8632000011	Seal, Rubber "D"	6FT
3	7115162250	Capscrew, 0.38"-16NC x 2.75"	6
4	7950160163	Flatwasher, 0.38" ID	12
5	7660160001	Nut, 0.38"-16NC	6
6	4062000243	Bar	2

Eastern Wrecker Sales, Inc. - www.easternwrecker.com - 919-553-4038

49" 3/4 HEIGHT STAND-A-LONE TOOL COMPARTMENT SPACER MOUNTNG ASSEMBLY - RH

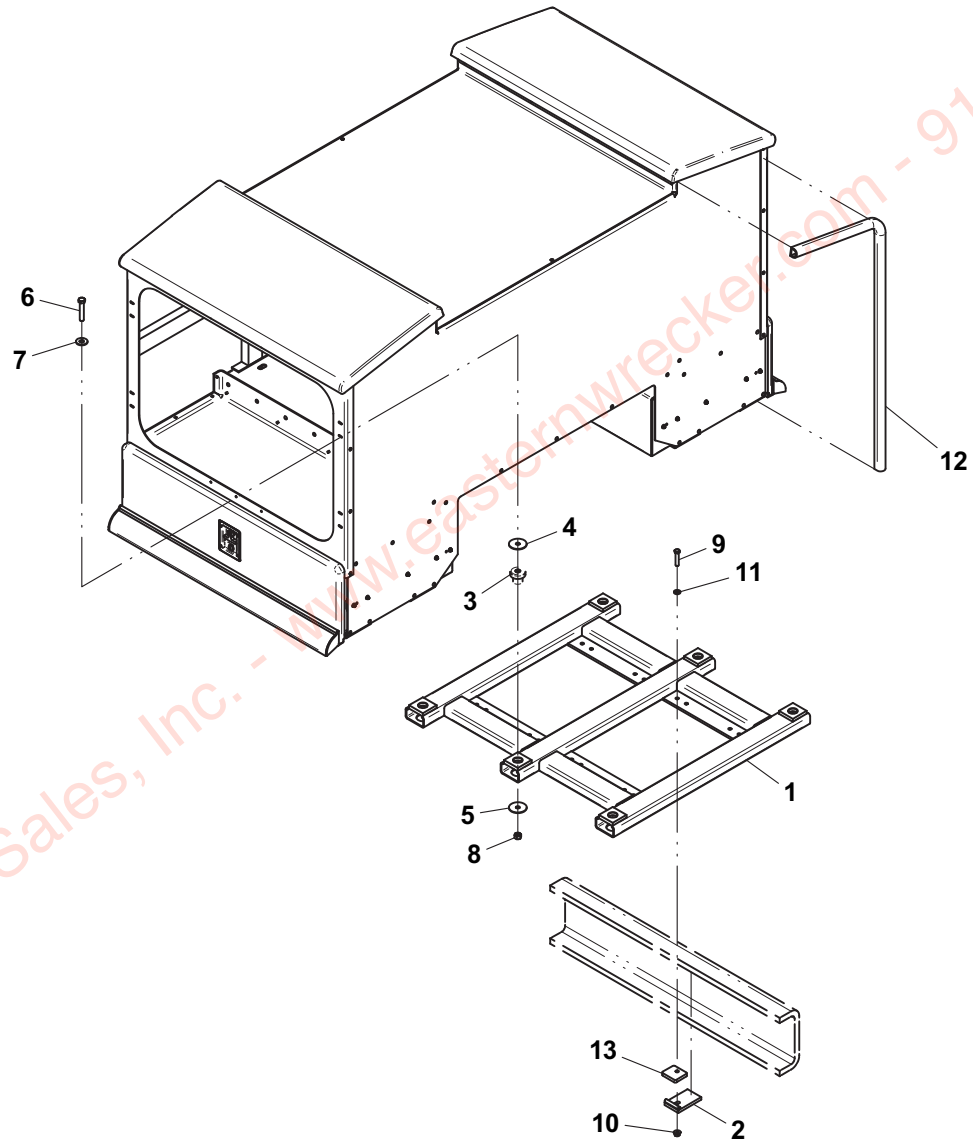


49" TUNNEL TOOL COMPARTMENT WITH DRAWER INSTALLATION

ITEM	PART NO.	DESCRIPTION	QTY
1	3911000068	Mount, Tube Weldment	1
2	3274000011	Clamp Weldment	8
3	7636000008	Rubber Mount	6
4	7949000019	Washer, Snub Head	24
5	7949000020	Washer, Snub Tail	6
6	7115202850	Capscrew, 0.63"-11NC x 3.50"	6
7	7590200161	Flatwasher, 0.63" ID	6
8	7660200001	Nut, 0.63"-11NC	6
9	7115182050	Capscrew, 0.50"-13NC x 2.50"	8
10	7660182301	Locknut, 0.50"-13NC	8
11	7950180252	Flatwasher, 0.50" ID	8
12	8632000011	Seal, Rubber "D"	12FT
13	4705000705	Plate	8

Eastern Wrecker Sales, Inc. - www.easternwrecker.com - 919-553-4038

49" TUNNEL TOOL COMPARTMENT WITH DRAWER INSTALLATION



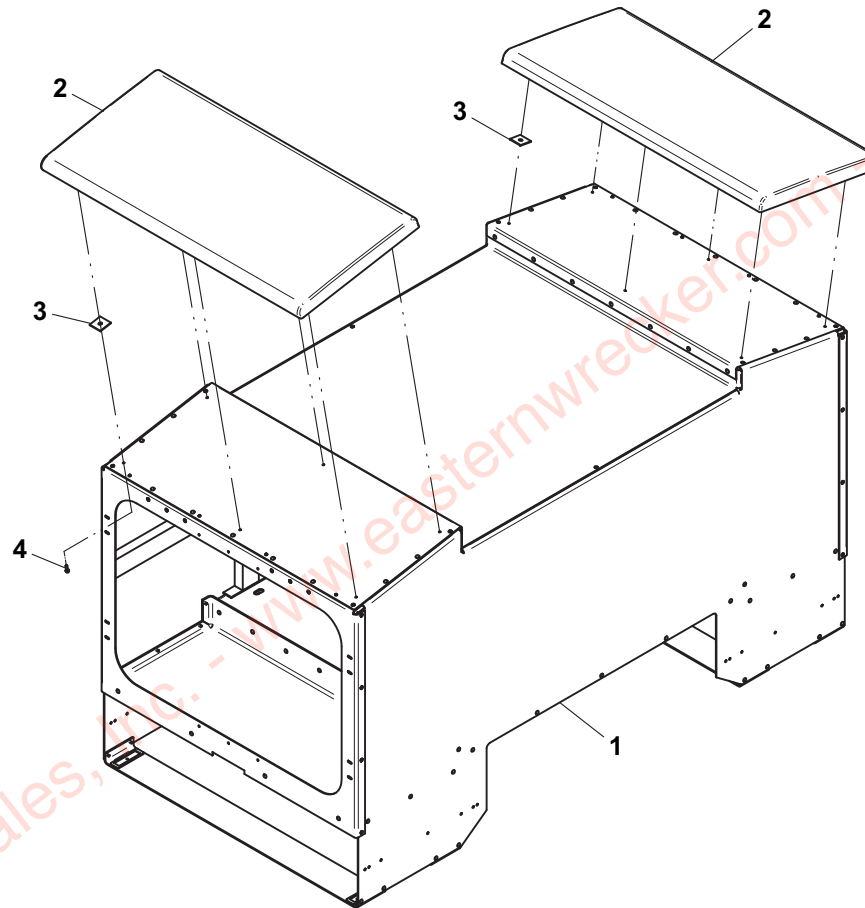
Toolbox Doors not Shown For Clarity

49" TUNNEL TOOL COMPARTMENT WITH DRAWER PANEL ASSEMBLY

ITEM	PART NO.	DESCRIPTION	QTY
1	3502740131	Bonding Assembly	1
2	7686000008	Cap Panel	2
3	4679000120	Pad, Rubber - 0.12" Thk	12
4	7790141651	Screw, Self Tapping - 0.25" Dia x 1.00"	12

Eastern Wrecker Sales, Inc. - www.easternwrecker.com - 919-553-4038

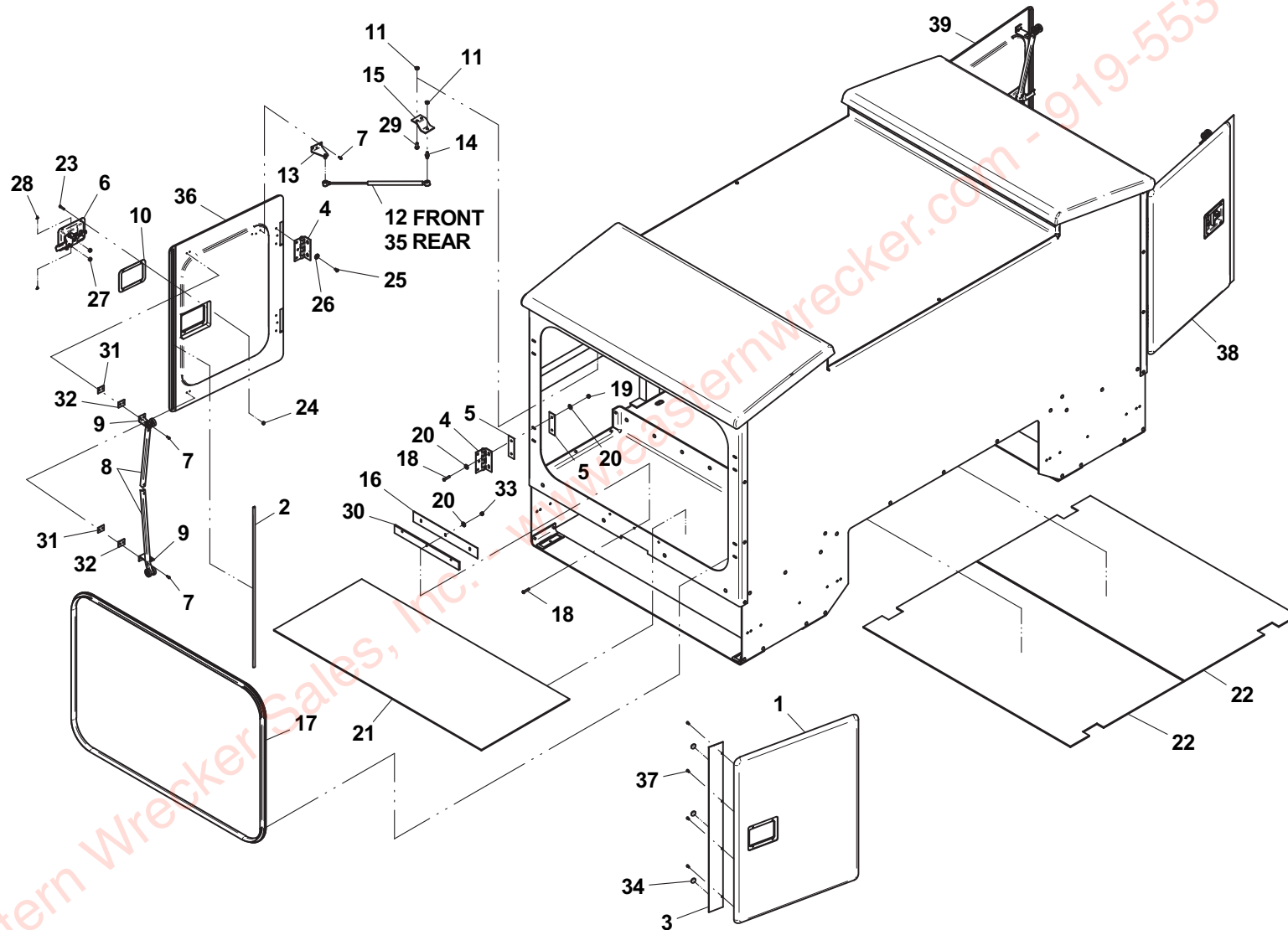
49" TUNNEL TOOL COMPARTMENT WITH DRAWER PANEL ASSEMBLY



49" TUNNEL TOOL COMPARTMENT WITH DRAWER DOOR AND HARDWARE ASSEMBLY

ITEM	PART NO.	DESCRIPTION	QTY	ITEM	PART NO.	DESCRIPTION	QTY
1	4686000166	Door Panel	1	35	7843000026	Gas Spring - 5.50" Stroke	2
2	4632000019	Seal, Vertical Door	2	36	4686000167	Door Panel	1
3	4811000332	Sheet	2	37	7114100318	Capscrew, #10-24NC x 0.38"	8
4	7555000002	Hinge	8	38	4686000187	Door Panel	1
5	4812000052	Shim	16	39	4686000188	Door Panel	1
6	7585000011	Latch, "T" Handle	4				
7	7114100418	Capscrew, #10-24NC x 0.50"	28				
8	7585000010	Latch Roller	8				
9	4178000334	Bracket	8				
10	7796000031	Gasket	4				
11	7660152604	Locknut, 0.31"-18NC	12				
12	7843000020	Gas Spring - 6.00" Stroke	2				
13	7178000023	Bracket, Ball Stud	4				
14	7865000001	Ball Stud	4				
15	4178000240	Bracket	4				
16	4811000335	Sheet	4				
17	4632000020	Seal, Vertical Door	2				
18	7114140818	Capscrew, 0.25"-20NC x 1.00"	28				
19	7660142604	Locknut, 0.25"-20NC	16				
20	7950140163	Flatwasher, 0.25 ID	56				
21	4679000181	Pad, Rubber	2				
22	4679000188	Pad, Rubber	2				
23	7114100818	Capscrew, #10-24NC x 1.00	16				
24	7660102604	Locknut, #10-24NC	16				
25	7114140418	Capscrew, 0.25"-20NC x 0.50"	24				
26	7950140503	Lockwasher, 0.25" ID	24				
27	7831000040	Spacer	8				
28	7690000810	Pin, Cotter	8				
29	7114150650	Capscrew, 0.31"-18NC x 0.75"	8				
30	4062000368	Bar	4				
31	4811000336	Sheet	8				
32	4811000337	Sheet	8				
33	7660140001	Nut, 0.25"-20NC	12				
34	7189000015	Bumper	6				

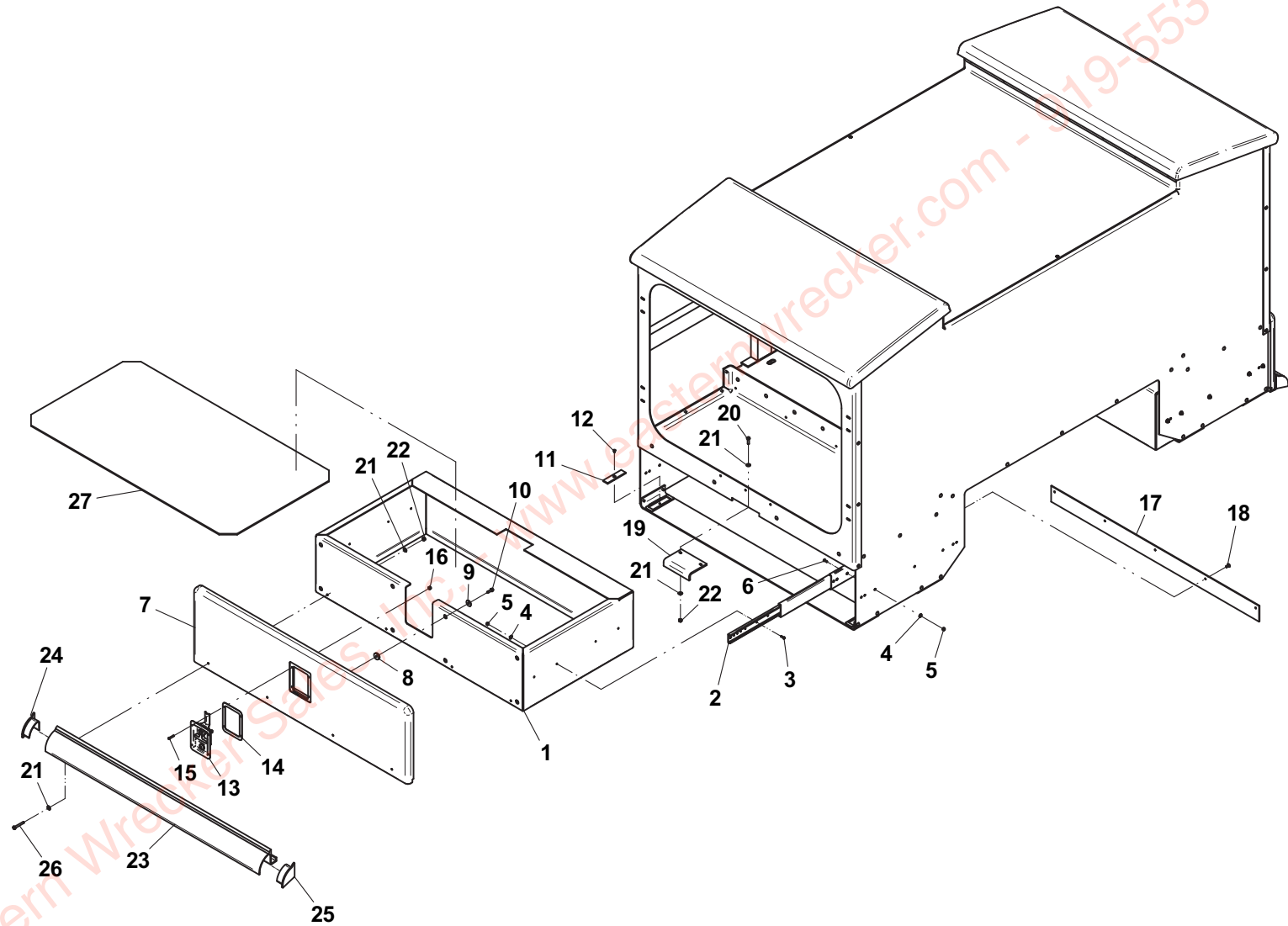
49" TUNNEL TOOL COMPARTMENT WITH DRAWER DOOR AND HARDWARE ASSEMBLY



49" TUNNEL TOOL COMPARTMENT WITH DRAWER - DRAWER INSTALLATION

ITEM	PART NO.	DESCRIPTION	QTY
1	3502740134	Drawer Weldment	1
2	7821000003	Slide	2
3	7114100518	Capscrew, #10-24NC x 0.63"	16
4	7950100103	Flatwasher, #10 ID	36
5	7660102604	Locknut, #10-24NC	36
6	7114100523	Capscrew, #10-24NC x 0.63"	20
7	7686000059	Panel, Drawer	2
8	4636000031	Rubber Mount, 1.06 Dia x 0.36" Thk	16
9	7949000022	Washer, Fender - 1.00 OD x 0.25" ID	8
10	7790141651	Screw, Self Tapping - 0.25" Dia x 1.00"	16
11	4679000156	Pad, Wear	4
12	7114100323	Capscrew, #10-24NC x 0.38"	4
13	7585000011	Latch, "T" Handle	2
14	7796000031	Gasket	2
15	7114100818	Capscrew, #10-24NC x 1.00"	8
16	7660102604	Locknut, #10-24NC	8
17	4811000391	Sheet	2
18	7759000008	Rivet, 0.25" Dia	10
19	4706003145	Plate	2
20	7114140850	Capscrew, 0.25"-20NC x 1.00"	4
21	7950140143	Flatwasher, 0.25" ID	24
22	7660142604	Locknut, 0.25"-20NC	12
23	4415000050	Flare, Body	2
24	7415000014	Flare, Body Cap - LH	2
25	7415000013	Flare, Body Cap - RH	2
26	7114141850	Capscrew, 0.25"-20NC x 2.25"	8
27	4679000207	Pad, Rubber	2

49" TUNNEL TOOL COMPARTMENT WITH DRAWER - DRAWER INSTALLATION

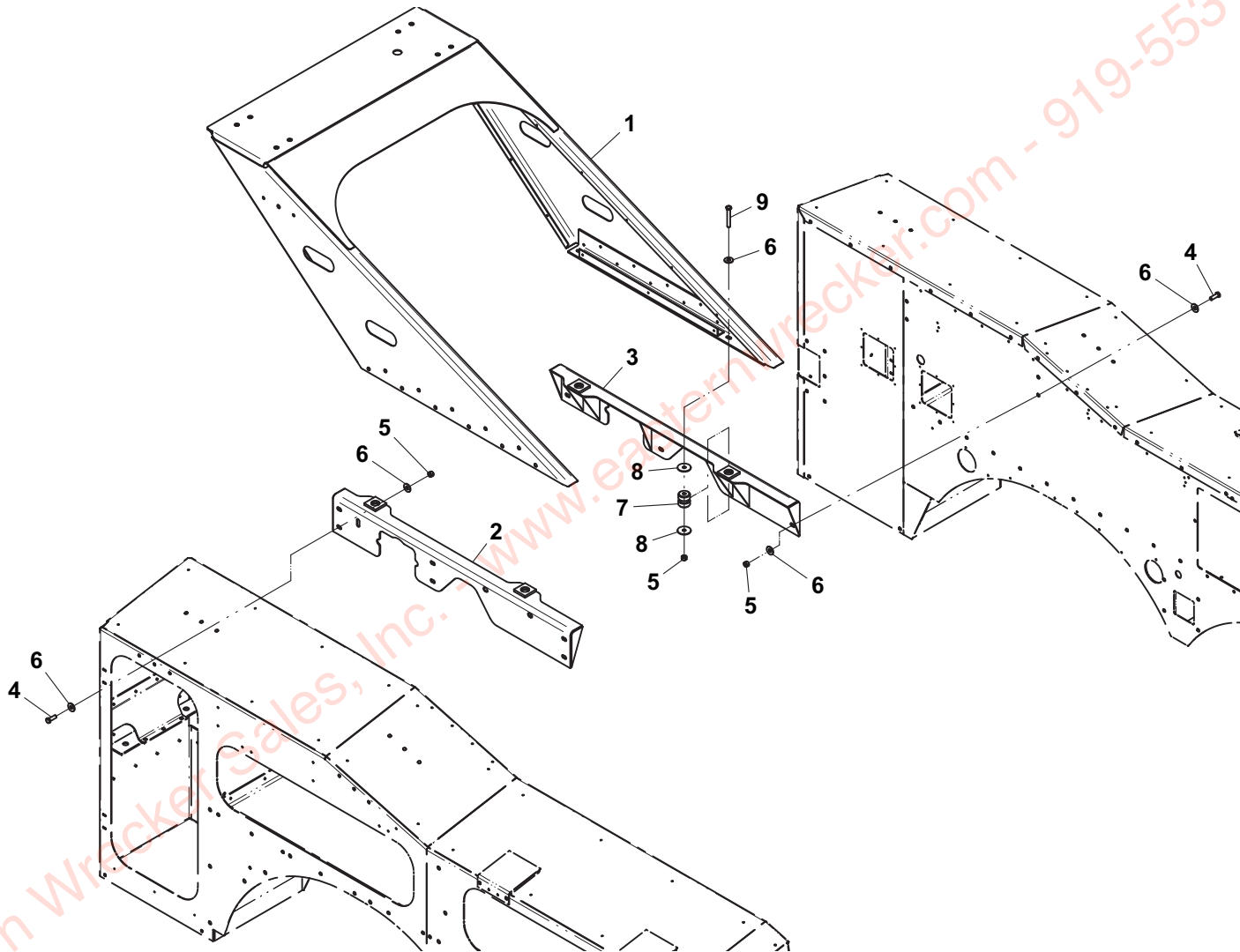


HEADBOARD INSTALLATION - BODY MOUNTED

ITEM	PART NO.	DESCRIPTION	QTY
1	3241000078	Headboard and Panel Assembly - 28.93"	1
	3241000080	Headboard and Panel Assembly - 38.93"	
	3241000122	Headboard and Panel Assembly - 44.93"	
2	3178000242	Bracket Weldment - LH	1
3	3178000243	Bracket Weldment - RH	1
4	7115181250	Capscrew, 0.50"-13NC x 1.50"	12
5	7660182601	Locknut, 0.50"-13NC	16
6	7950180161	Flatwasher, 0.50" ID	24
7	7636000009	Rubber Mount	4
8	7949000021	Washer, Snub Tail	8
9	7115182850	Capscrew, 0.50"-13NC x 3.50"	4

Eastern Wrecker Sales, Inc. - www.easternwrecker.com - 919-553-4038

HEADBOARD INSTALLATION - BODY MOUNTED

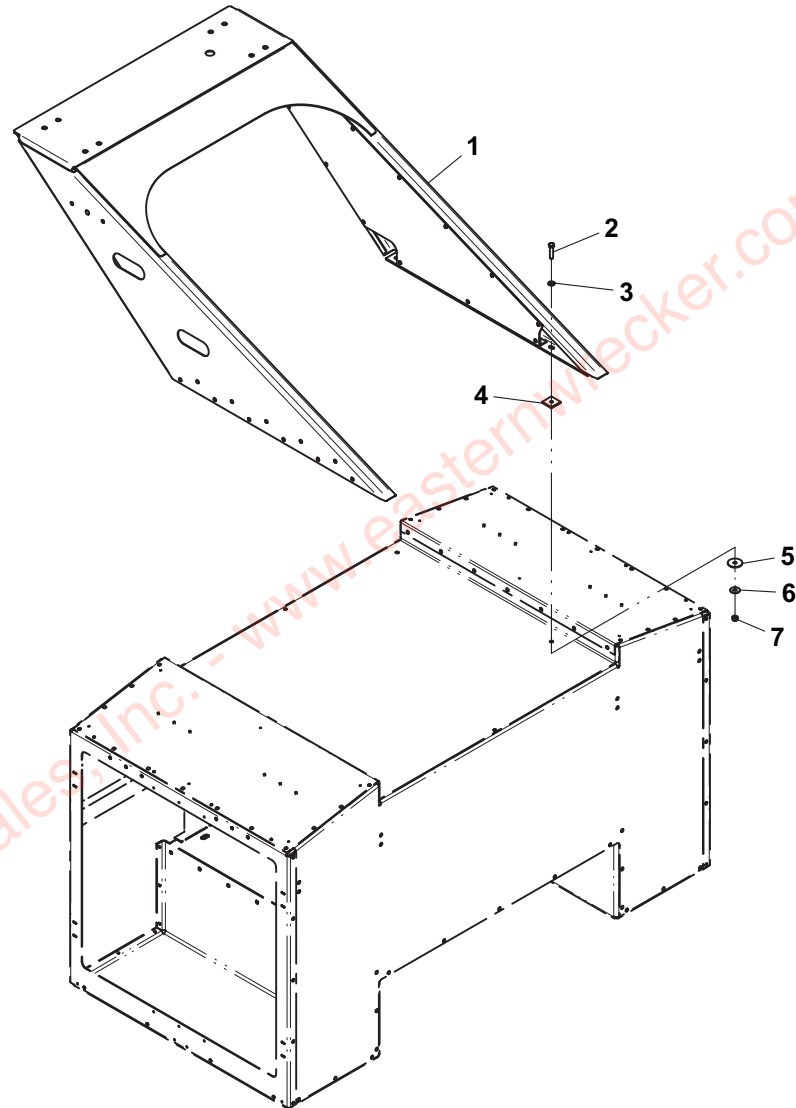


HEADBOARD INSTALLATION - FORWARD MOUNTED

ITEM	PART NO.	DESCRIPTION	QTY
1	3241000078	Headboard and Panel Assembly - 28.93"	1
	3241000080	Headboard and Panel Assembly - 38.93"	
	3241000122	Headboard and Panel Assembly - 44.93"	
2	7115181850	Capscrew, 0.50"-13NC x 2.25"	4
3	7950180153	Flatwasher, 0.50" ID	4
4	4679000121	Pad, Rubber - 0.25" Thk	4
5	7949000012	Washer, Rubber	4
6	7949000016	Washer, Tail	4
7	7660182601	Locknut, 0.50"-13NC	4

Eastern Wrecker Sales, Inc. - www.easternwrecker.com - 919-553-4038

HEADBOARD INSTALLATION - FORWARD MOUNTED

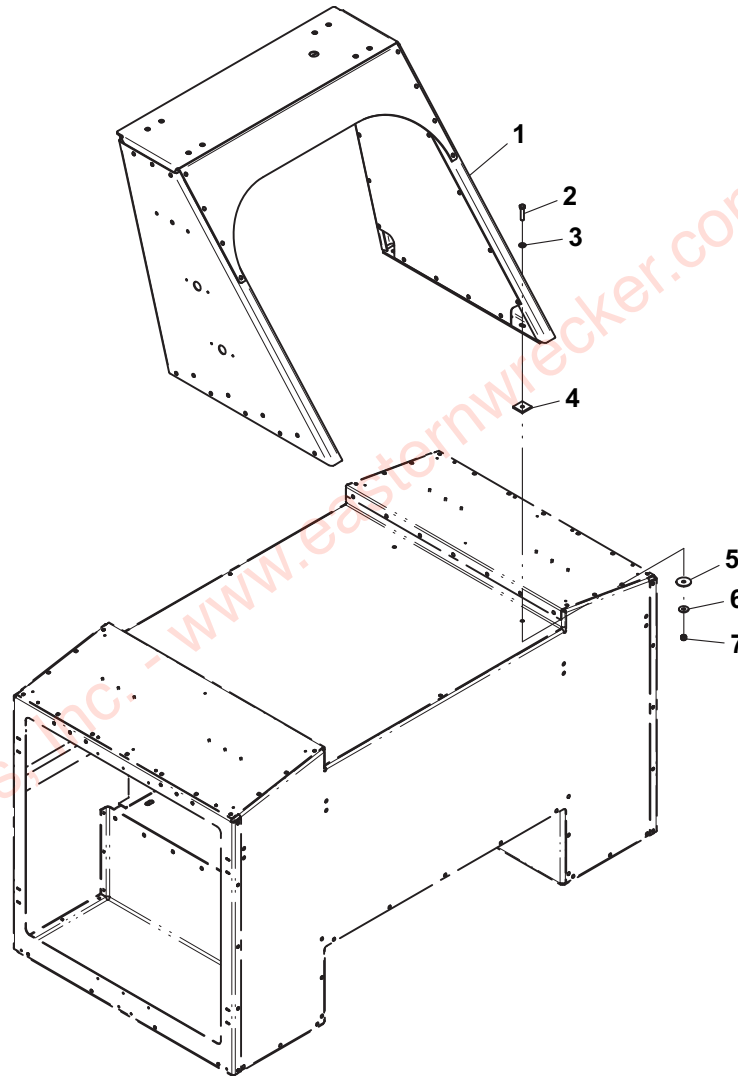


UPRIGHT HEADBOARD INSTALLATION - FORWARD MOUNTED

ITEM	PART NO.	DESCRIPTION	QTY
1	3241000205	Headboard and Panel Assembly - 39.00"	1
	3241000203	Headboard and Panel Assembly - 45.00"	
2	7115181850	Capscrew, 0.50"-13NC x 2.25"	4
3	7950180153	Flatwasher, 0.50" ID	4
4	4679000121	Pad, Rubber - 0.25" Thk	4
5	7949000012	Washer, Rubber	4
6	7949000016	Washer, Tail	4
7	7660182601	Locknut, 0.50"-13NC	4

Eastern Wrecker Sales, Inc. - www.easternwrecker.com - 919-553-4038

UPRIGHT HEADBOARD INSTALLATION - FORWARD MOUNTED

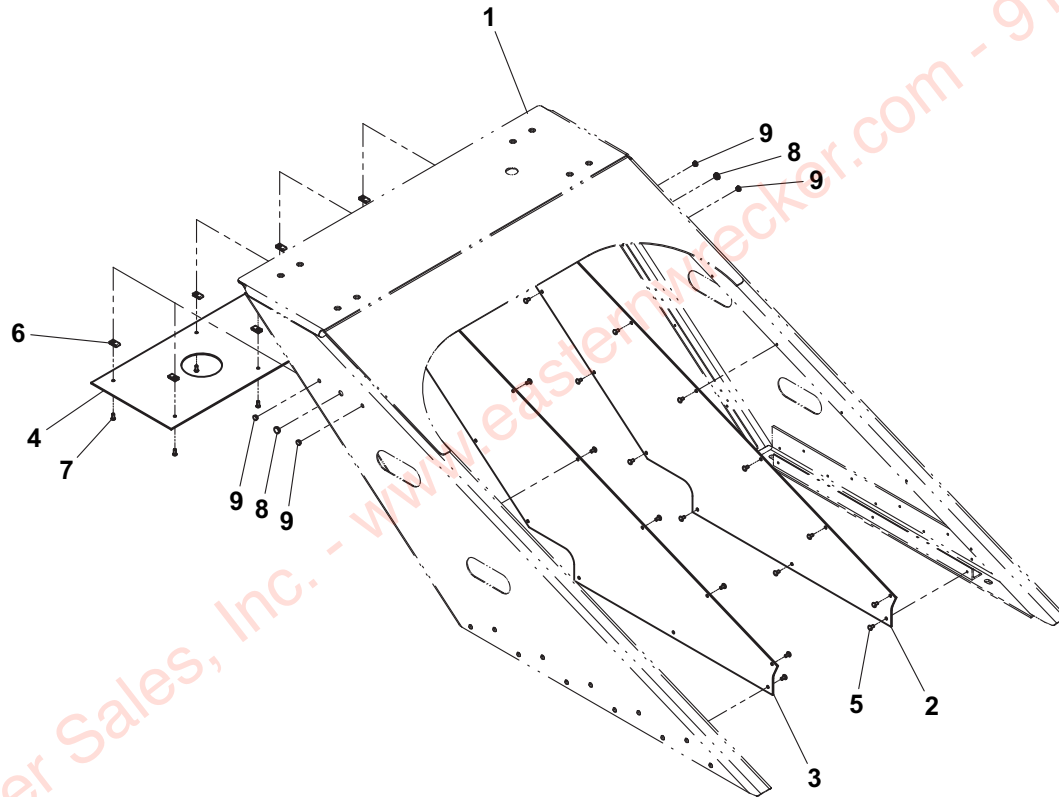


HEADBOARD AND PANEL ASSEMBLY

ITEM	PART NO.	DESCRIPTION	QTY
1	3241000077	Headboard Bonding Assembly - 28.93"	1
	3241000079	Headboard Bonding Assembly - 38.93"	
	3241000121	Headboard Bonding Assembly - 44.93"	
	3241000204	Headboard Bonding Assy - 39.00" Upright	
	3241000206	Headboard Bonding Assy - 45.00" Upright	
2	4707000106	Plate - LH - 28.93"	1
	4707000108	Plate - LH - 38.93"	
	4707000194	Plate - LH - 44.93"	
	4707000305	Plate - LH - 39.00" Upright	
	4707000290	Plate - LH - 45.00" Upright	
3	4707000107	Plate - RH - 28.93"	1
	4707000109	Plate - RH - 38.93"	
	4707000195	Plate - RH - 44.93"	
	4707000306	Plate - RH - 39.00" Upright	
	4707000291	Plate - RH - 45.00" Upright	
4	4707000105	Plate	1
5	7759000008	Rivet, 0.25" Dia	26
6	7661000019	U-Nut, 0.25"-20NC	8
7	7114140518	Capscrew, 0.25"-20NC x 0.63"	8
8	7701000057	Plug, Hole 0.63" Dia	2
9	7701000056	Plug, Hole 0.44" Dia	4

Eastern Wrecker Sales, Inc. - www.easternwrecker.com - 919-553-4038

HEADBOARD AND PANEL ASSEMBLY

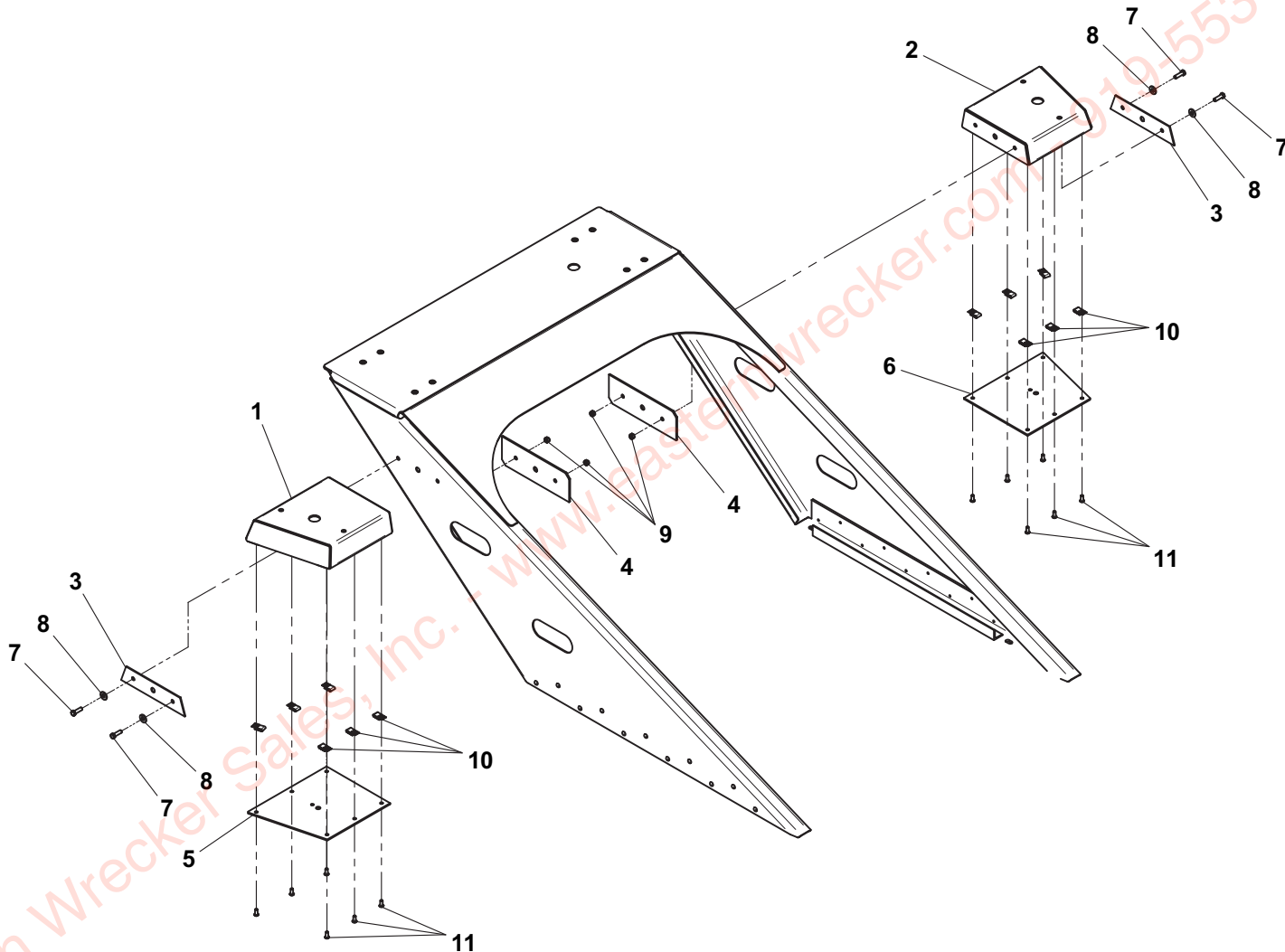


WING LIGHT BRACKET INSTALLATION

ITEM	PART NO.	DESCRIPTION	QTY
1	3178000404	Wing Light Bracket - LH	1
2	3178000405	Wing Light Bracket - RH	1
3	4706002570	Plate	2
4	4706002569	Plate	2
5	4707000129	Plate - LH	1
6	4707000130	Plate - RH	8
7	7114161050	Capscrew, 0.38"-16NC x 1.25"	4
8	7950160163	Flatwasher, 0.38" ID	4
9	7660161603	Locknut, 0.38"-16NC	4
10	7661000029	J-Nut, 0.31"-18NC	12
11	7114150618	Capscrew, 0.31"-18NC x 0.75"	12

Eastern Wrecker Sales, Inc. - www.easternwrecker.com - 919-553-4038

WING LIGHT BRACKET INSTALLATION

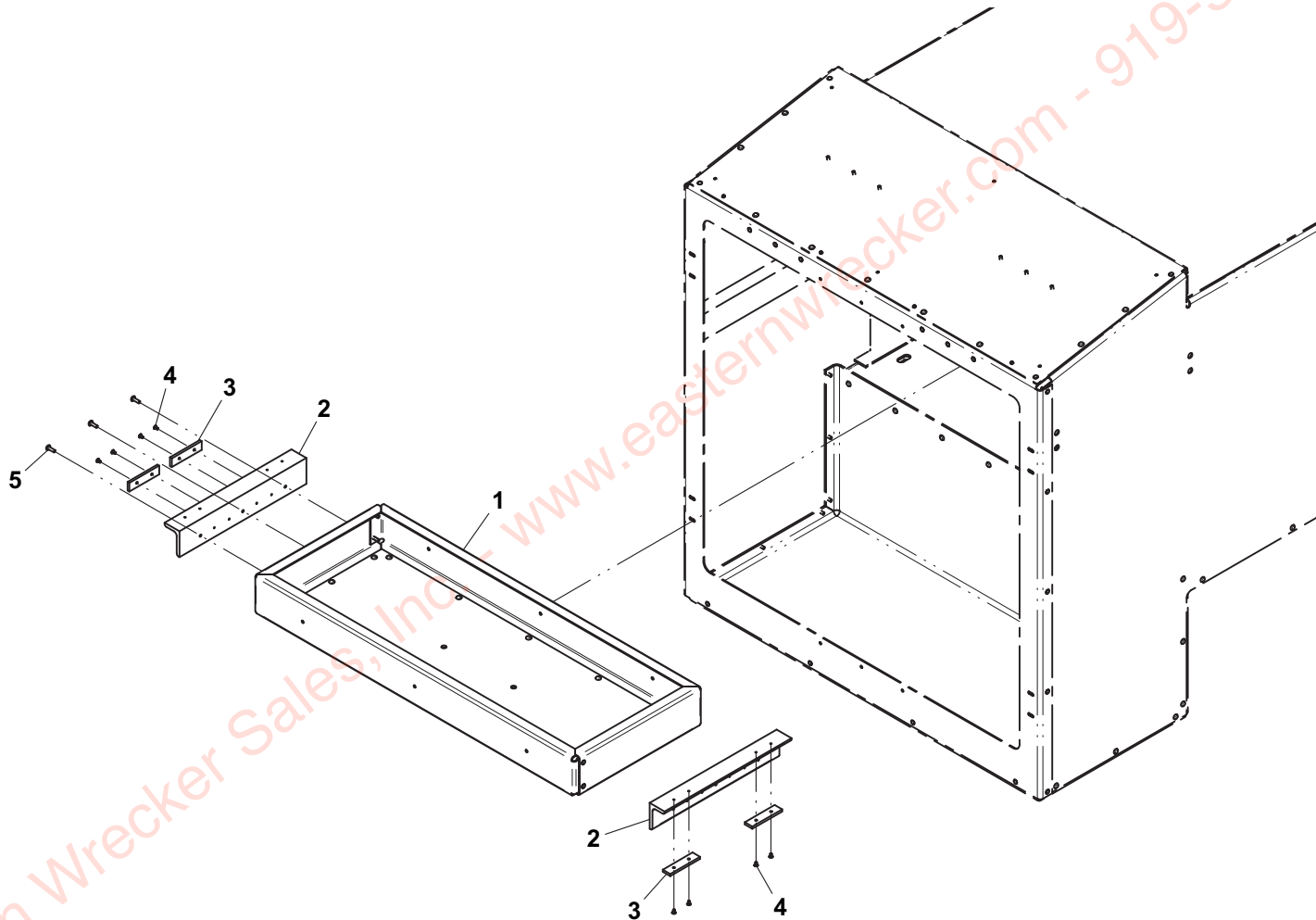


49" TOOLBOX TRAY

ITEM	PART NO.	DESCRIPTION	QTY
1	3502740137	Tray	1
2	4017001129	Angle	2
3	4679000198	Pad	8
4	7105100323	Capscrew, #10-32NC x 0.38"	16
5	7759000011	Rivet, 0.25" Dia	6

Eastern Wrecker Sales, Inc. - www.easternwrecker.com - 919-553-4038

49" TOOLBOX TRAY

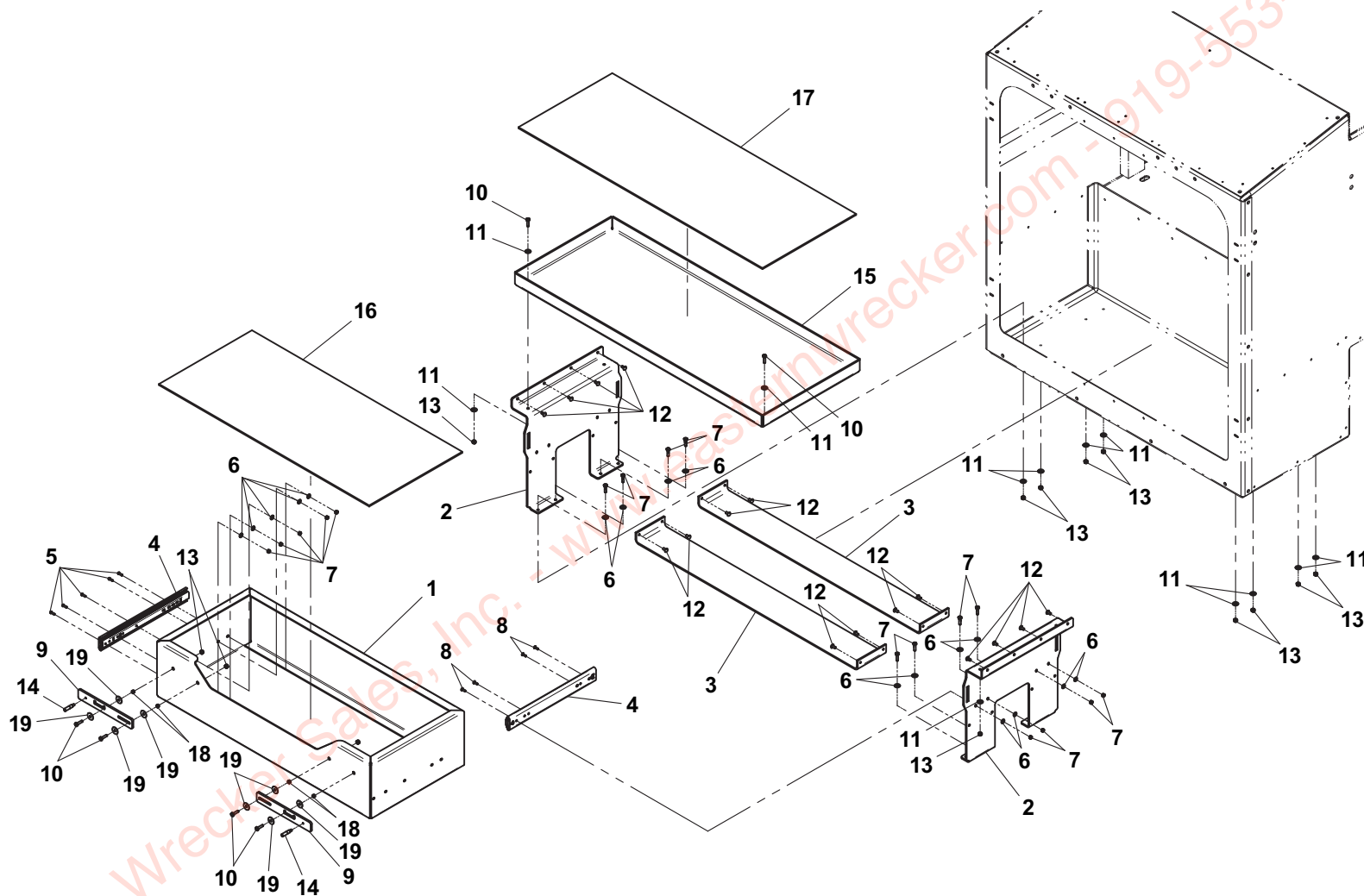


49" TUNNEL TOOL COMPARTMENT INSIDE DRAWER

ITEM	PART NO.	DESCRIPTION	QTY
1	3502740229	Drawer Weldment	1
2	4178000377	Bracket	2
3	4811000403	Sheet	2
4	7821000001	Slide	2
5	7114100518	Capscrew, #10-24NC x 0.63"	10
6	7950100103	Flatwasher, #10 ID	18
7	7660102604	Locknut, #10-24NC	18
8	7114100523	Capscrew, #10-24NC x 0.63"	8
9	4706003228	Plate	2
10	7114140850	Capscrew, 0.25"-20NC x 1.00"	14
11	7950140163	Flatwasher, 0.25" ID	20
12	7759000011	Rivet, 0.25" Dia	16
13	7660142604	Locknut, 0.25"-20NC	14
14	4763000184	Rod	2
15	4811000407	Sheet	1
16	4679000209	Pad, Rubber - 0.19" Thk	1
17	4679000210	Pad, Rubber - 0.19" Thk	1
18	7413000002	Nutsert, 0.25"-20 NC	4
19	7949000022	Washer, Fender - 1.00 OD x 0.25" ID`	8

Eastern Wrecker Sales, Inc. - www.easternwrecker.com - 919-553-4038

49" TUNNEL TOOL COMPARTMENT INSIDE DRAWER



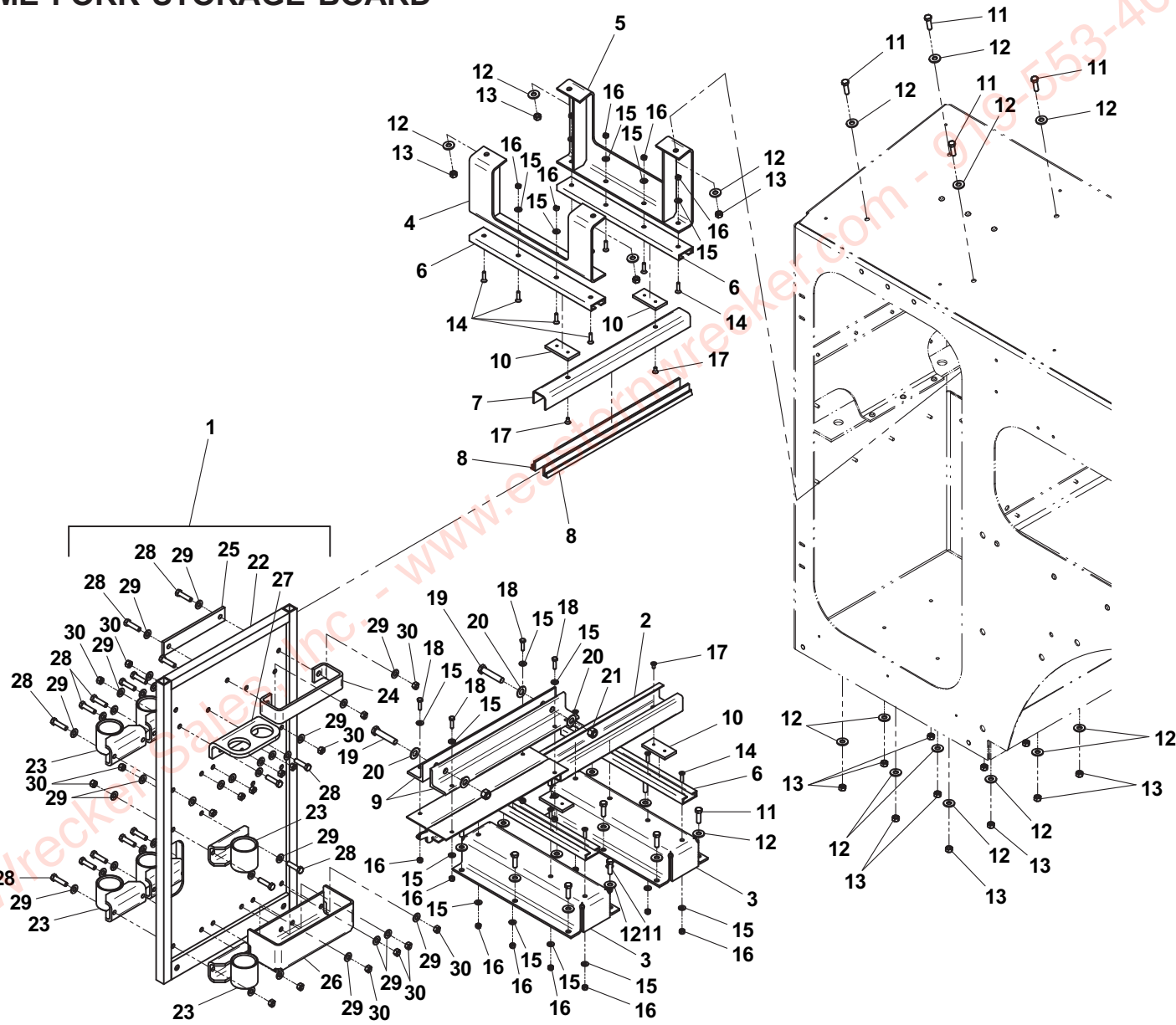
LH shown, RH similar

SLIDE OUT FRAME FORK STORAGE BOARD

ITEM	PART NO.	DESCRIPTION	QTY
1	3706000393	Sliding Plate Assembly	1
2	7821000009	Slide	1
3	4178000900	Bracket	2
4	3178000570	Bracket, Upper Front	1
5	3178000570	Bracket, Upper Rear	1
6	4411000206	Track	4
7	4263000941	Channel	1
8	4679000323	Pad, Slide	2
9	4017001727	Angle	2
10	4706006251	Plate	4
11	7115151050	Capscrew, 0.31"-18NC x 1.25"	16
12	7950160163	Flatwasher, 0.38" ID	32
13	7660162604	Locknut, 0.38"-16NC	16
14	7114140823	Capscrew, 0.25"-20NC x 1.00"	16
15	7950140143	Flatwasher, 0.25" ID	24
16	7660142604	Locknut, 0.25"-20NC	20
17	7114140423	Capscrew, 0.25"-20NC x 0.50"	5
18	7114140850	Capscrew, 0.25"-20NC x 1.00"	4
19	7115182050	Capscrew, 0.25"-20NC x 2.50"	2
20	7950180143	Flatwasher, 0.50" ID	4
21	7660182601	Locknut, 0.50"-13NC	2
22	3706000394*	Sliding Plate Weldment	1
23	3178000569*	Bracket	8
24	4178000884*	Bracket	1
25	4062000741*	Bar	1
26	3178000579*	Bracket	1
27	4178000888*	Bracket	1
28	7115161250*	Capscrew, 0.38"-16NC x 1.50"	18
29	7950160143*	Flatwasher, 0.38" ID	36
30	7660162604*	Locknut, 0.38"-16NC	18

* Also available in 3706000393

SLIDE OUT FRAME FORK STORAGE BOARD

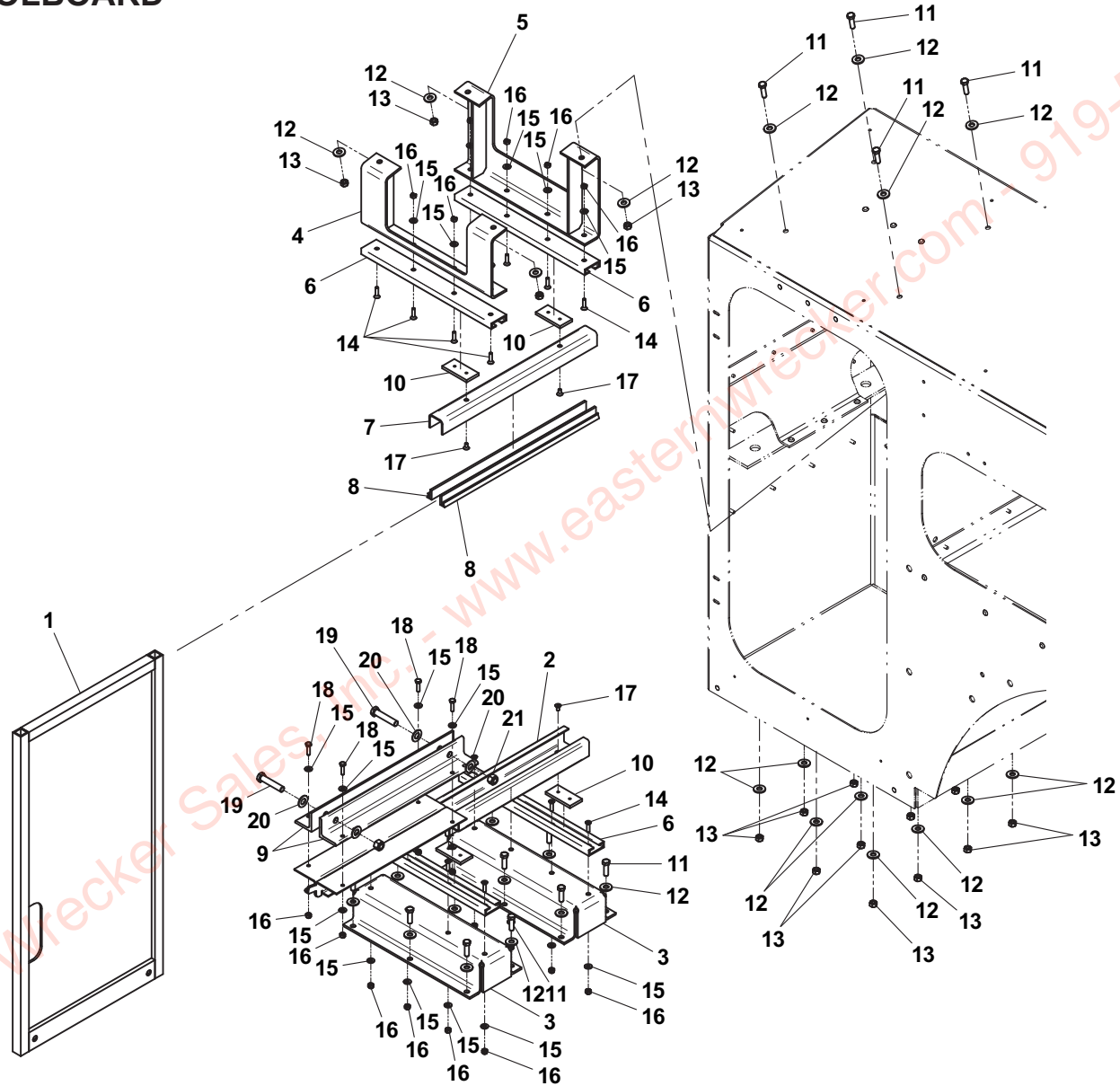


SLIDE OUT TOOLBOARD

ITEM	PART NO.	DESCRIPTION	QTY
1	3706000396	Sliding Plate Assembly	1
2	7821000009	Slide	1
3	4178000900	Bracket	2
4	3178000570	Bracket, Upper Front	1
5	3178000570	Bracket, Upper Rear	1
6	4411000206	Track	4
7	4263000941	Channel	1
8	4679000323	Pad, Slide	2
9	4017001727	Angle	2
10	4706006251	Plate	4
11	7115151050	Capscrew, 0.31"-18NC x 1.25"	16
12	7950160163	Flatwasher, 0.38" ID	32
13	7660162604	Locknut, 0.38"-16NC	16
14	7114140823	Capscrew, 0.25"-20NC x 1.00"	16
15	7950140143	Flatwasher, 0.25" ID	24
16	7660142604	Locknut, 0.25"-20NC	20
17	7114140423	Capscrew, 0.25"-20NC x 0.50"	5
18	7114140850	Capscrew, 0.25"-20NC x 1.00"	4
19	7115182050	Capscrew, 0.25"-20NC x 2.50"	2
20	7950180143	Flatwasher, 0.50" ID	4
21	7660182601	Locknut, 0.50"-13NC	2

Eastern Wrecker Sales, Inc. - www.easternwrecker.com - 919-553-4038

SLIDE OUT TOOLBOARD

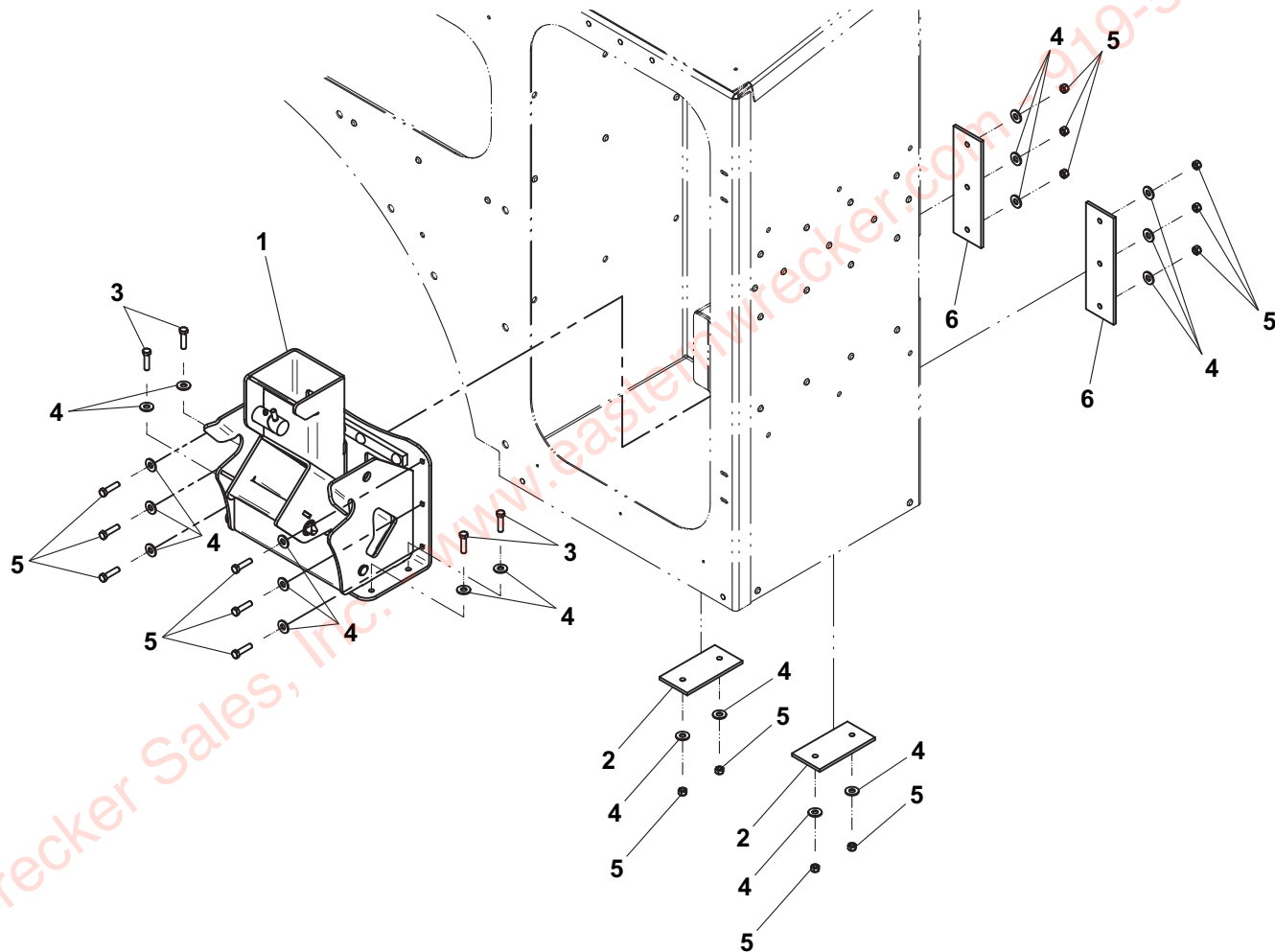


TIRE LIFT GRID STORAGE BRACKETS FOR BODY COMPARTMENTS

ITEM	PART NO.	DESCRIPTION	QTY
1	3178000460	Bracket Assembly	1
2	4062000600	Bar	2
3	7115161250	Capscrew, 0.38"-16NC x 1.50"	10
4	7950140163	Flatwasher, 0.38" ID	20
5	7660162604	Locknut, 0.38"-16NC	10
6	4062000615	Bar	2

Eastern Wrecker Sales, Inc. - www.easternwrecker.com - 919-553-4038

TIRE LIFT GRID STORAGE BRACKETS FOR BODY COMPARTMENTS

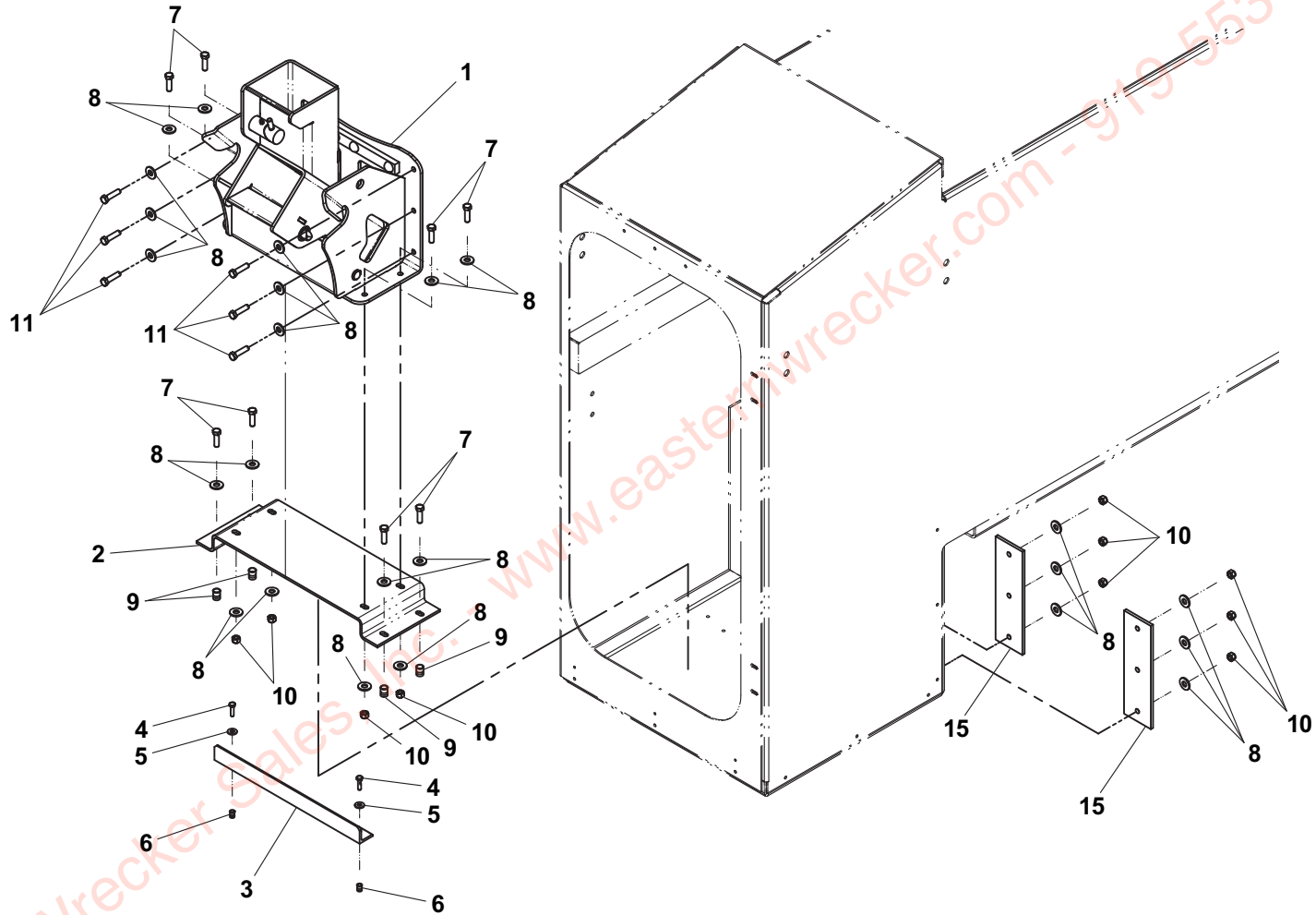


TIRE LIFT GRID STORAGE BRACKETS FOR TUNNEL TOOL COMPARTMENTS

ITEM	PART NO.	DESCRIPTION	QTY
1	3178000460	Bracket Assembly	1
2	4178000660	Bracket	1
3	4017001493	Angle	1
4	7114140850	Capscrew, 0.25"-20NC x 1.00"	2
5	7950140163	Flatwasher, 0.25" ID	2
6	7413000002	Nutsert, 0.25"-20 NC	2
7	7114161050	Capscrew, 0.38"-16NC x 1.25"	8
8	7950160163	Flatwasher, 0.38" ID	24
9	7413000003	Nutsert, 0.38"-16 NC	4
10	7660162604	Locknut, 0.38"-16NC	10
11	7115161250	Capscrew, 0.38"-16NC x 1.50"	6
12	4062000615	Bar	2

Eastern Wrecker Sales, Inc. - www.easternwrecker.com - 919-553-4038

TIRE LIFT GRID STORAGE BRACKETS FOR TUNNEL TOOL COMPARTMENTS

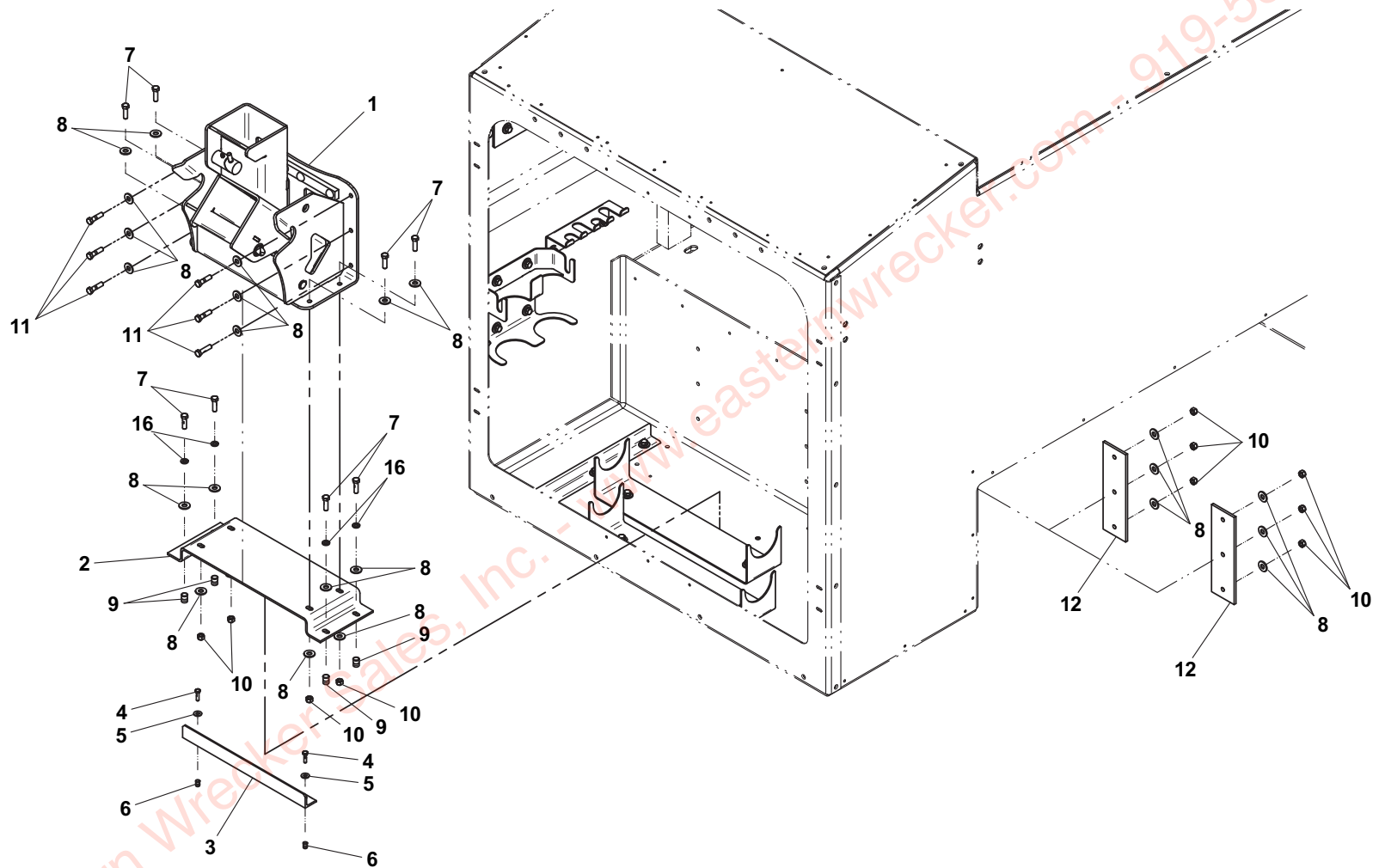


14K TIRE LIFT STORAGE BRACKETS FOR 49" TUNNEL TOOL COMPARTMENTS

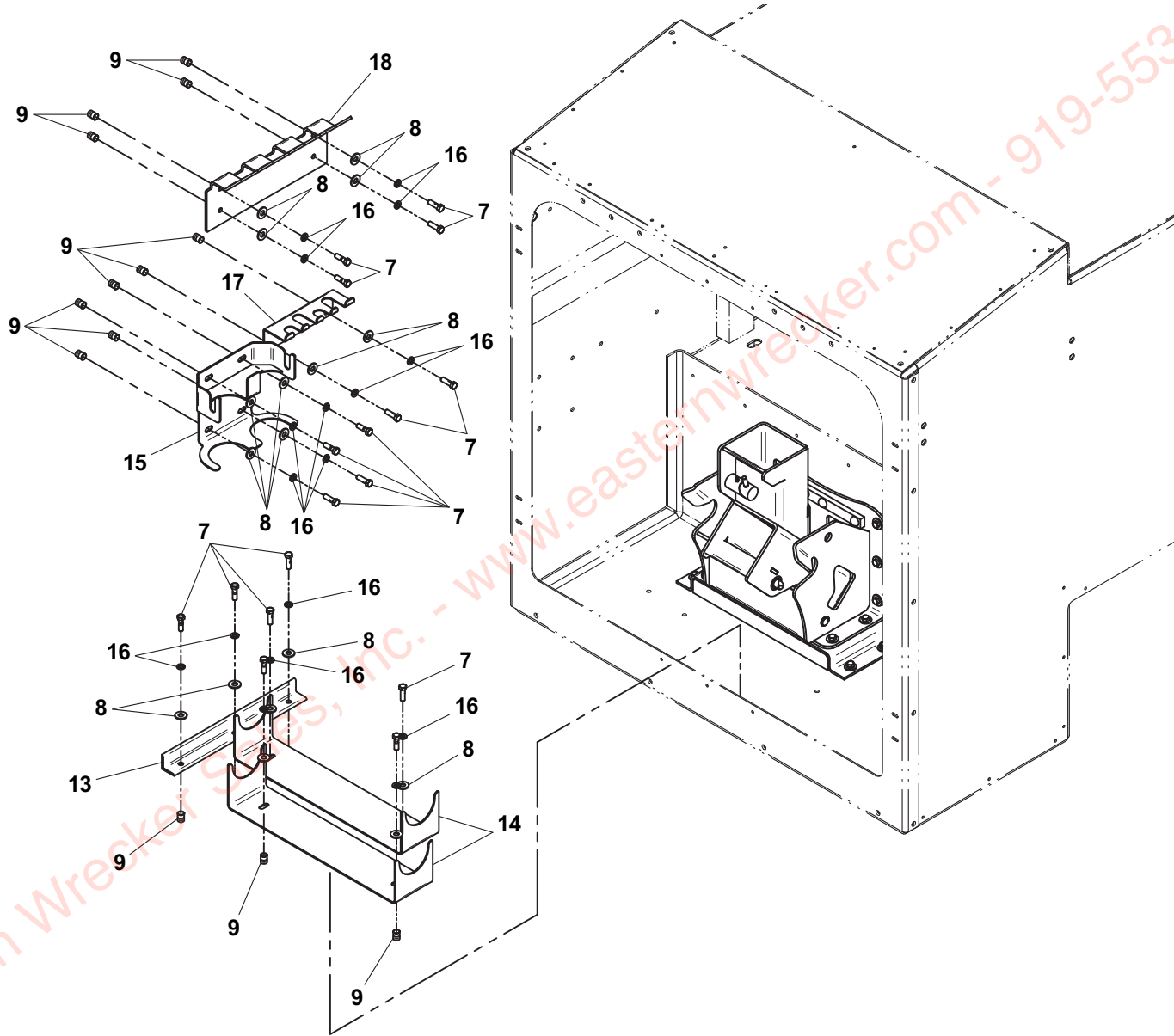
ITEM	PART NO.	DESCRIPTION	QTY
1	3178000460	Bracket Assembly	1
2	4178000660	Bracket	1
3	4017001493	Angle	1
4	7114140850	Capscrew, 0.25"-20NC x 1.00"	2
5	7950140163	Flatwasher, 0.25" ID	2
6	7413000002	Nutsert, 0.25"-20 NC	2
7	7114161050	Capscrew, 0.38"-16NC x 1.25"	25
8	7950160163	Flatwasher, 0.38" ID	41
9	7413000003	Nutsert, 0.38"-16 NC	21
10	7660162604	Locknut, 0.38"-16NC	10
11	7115161250	Capscrew, 0.38"-16NC x 1.50"	6
12	4062000615	Bar	2
13	4017001549	Angle	1
14	4178000715	Bracket	2
15	3178000513	Bracket Weldment	1
16	7950160000	Lockwasher, 0.38" ID	21
17	4178000678	Bracket	1
18	4178000720	Bracket	1

Eastern Wrecker Sales, Inc. - www.easternwrecker.com - 919-553-4038

14K TIRE LIFT STORAGE BRACKETS FOR 49" TUNNEL TOOL COMPARTMENTS



14K TIRE LIFT STORAGE BRACKETS FOR 49" TUNNEL TOOL COMPARTMENTS



THIS PAGE INTENTIONALLY LEFT BLANK

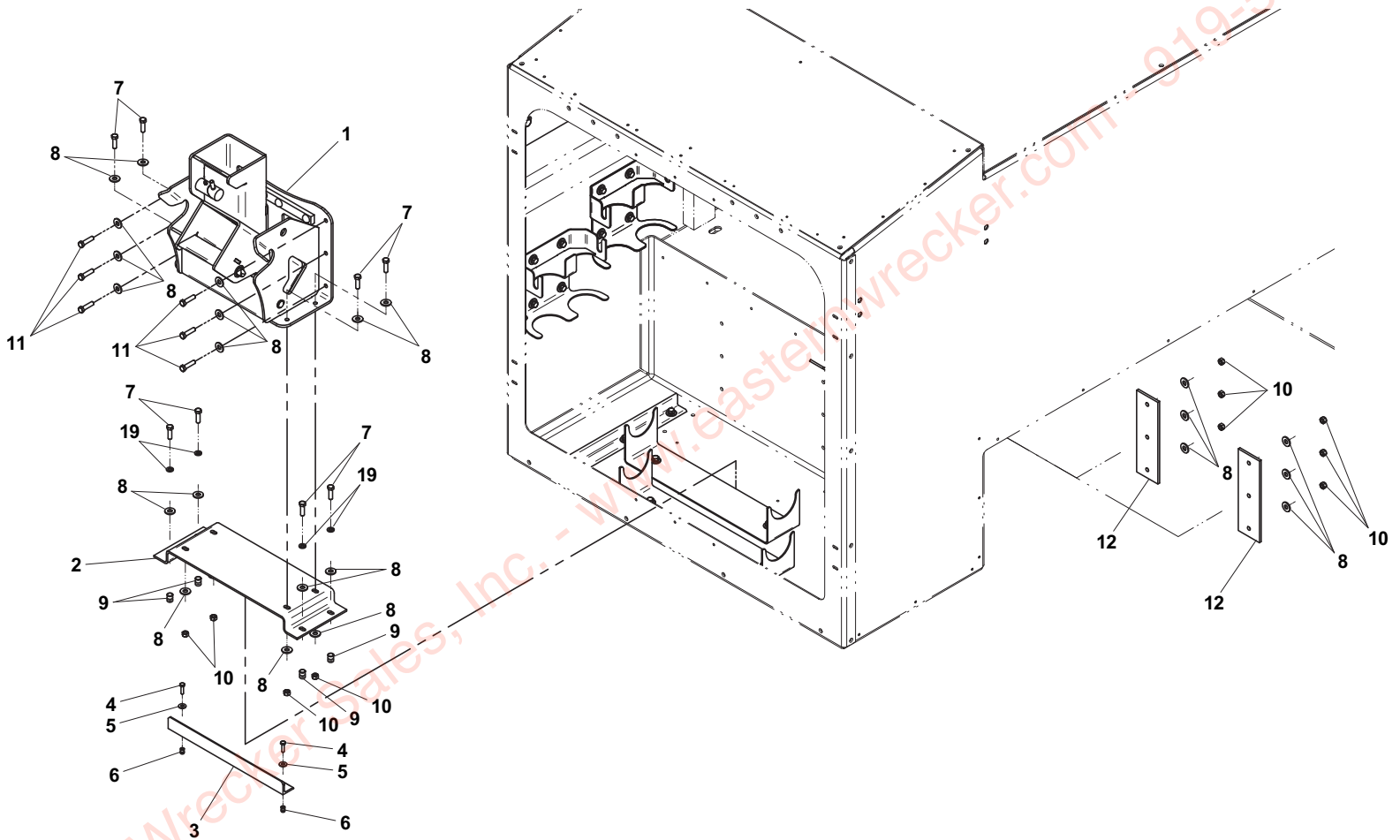
Eastern Wrecker Sales, Inc. - www.easternwrecker.com - 919-553-4038

25K TIRE LIFT STORAGE BRACKETS FOR 49" TUNNEL TOOL COMPARTMENTS

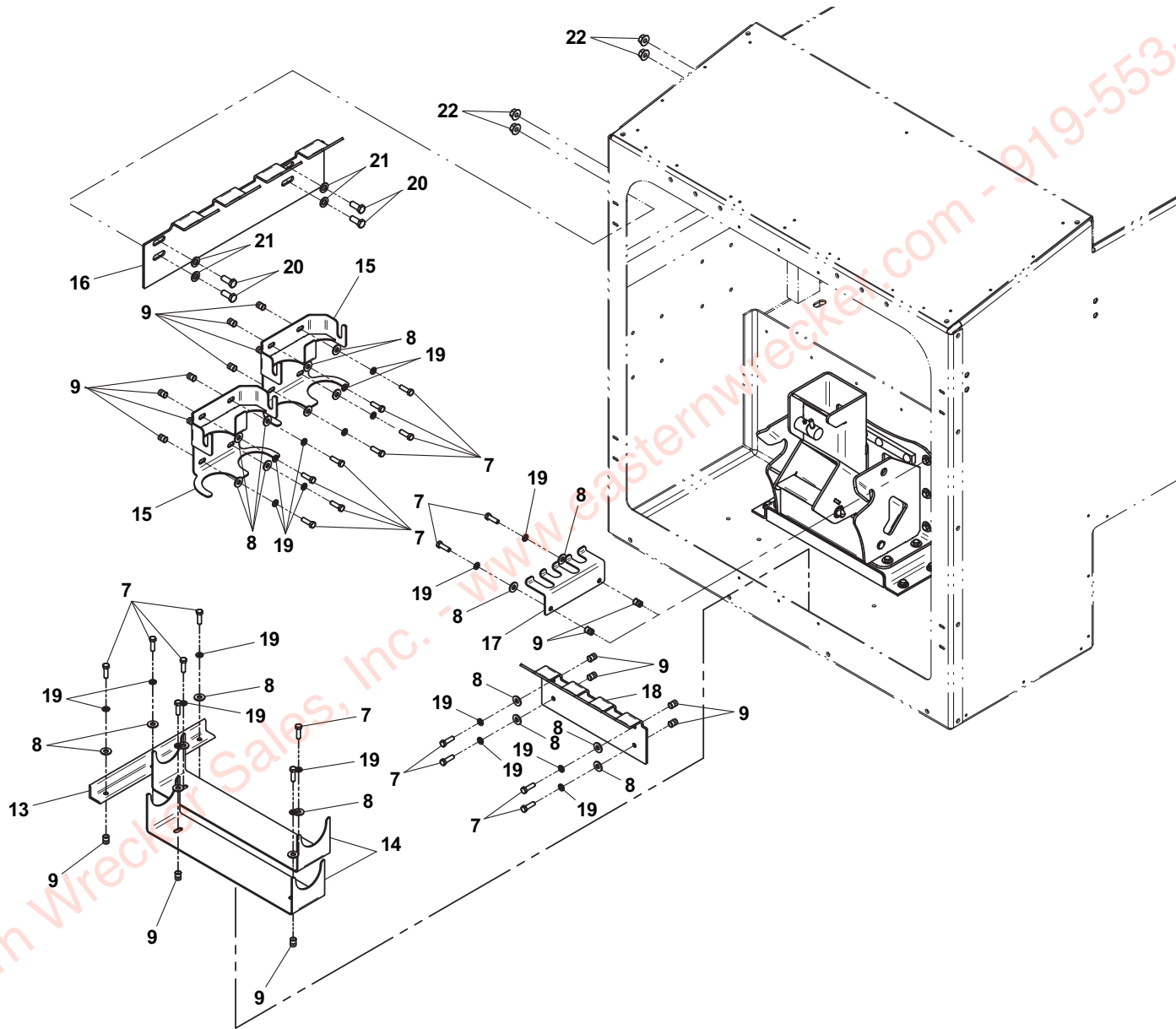
ITEM	PART NO.	DESCRIPTION	QTY
1	3178000460	Bracket Assembly	1
2	4178000660	Bracket	1
3	4017001493	Angle	1
4	7114140850	Capscrew, 0.25"-20NC x 1.00"	2
5	7950140163	Flatwasher, 0.25" ID	2
6	7413000002	Nutsert, 0.25"-20 NC	2
7	7114161050	Capscrew, 0.38"-16NC x 1.25"	29
8	7950160163	Flatwasher, 0.38" ID	45
9	7413000003	Nutsert, 0.38"-16 NC	25
10	7660162604	Locknut, 0.38"-16NC	10
11	7115161250	Capscrew, 0.38"-16NC x 1.50"	6
12	4062000615	Bar	2
13	4017001549	Angle	1
14	4178000715	Bracket	2
15	3178000513	Bracket Weldment	1
16	4178000761	Bracket	1
17	4178000678	Bracket	1
18	4178000720	Bracket	1
19	7950160000	Lockwasher, 0.38" ID	25
20	7115181050	Capscrew, 0.50"-13NC x 1.25"	4
21	7950180153	Flatwasher, 0.50" ID	1
22	76601823011	Locknut, 0.50"-13NC	4

Eastern Wrecker Sales, Inc. - www.easternwrecker.com - 919-553-4038

25K TIRE LIFT STORAGE BRACKETS FOR 49" TUNNEL TOOL COMPARTMENTS



25K TIRE LIFT STORAGE BRACKETS FOR 49" TUNNEL TOOL COMPARTMENTS



Eastern Wrecker Sales, Inc. - www.easternwrecker.com - 919-553-4038

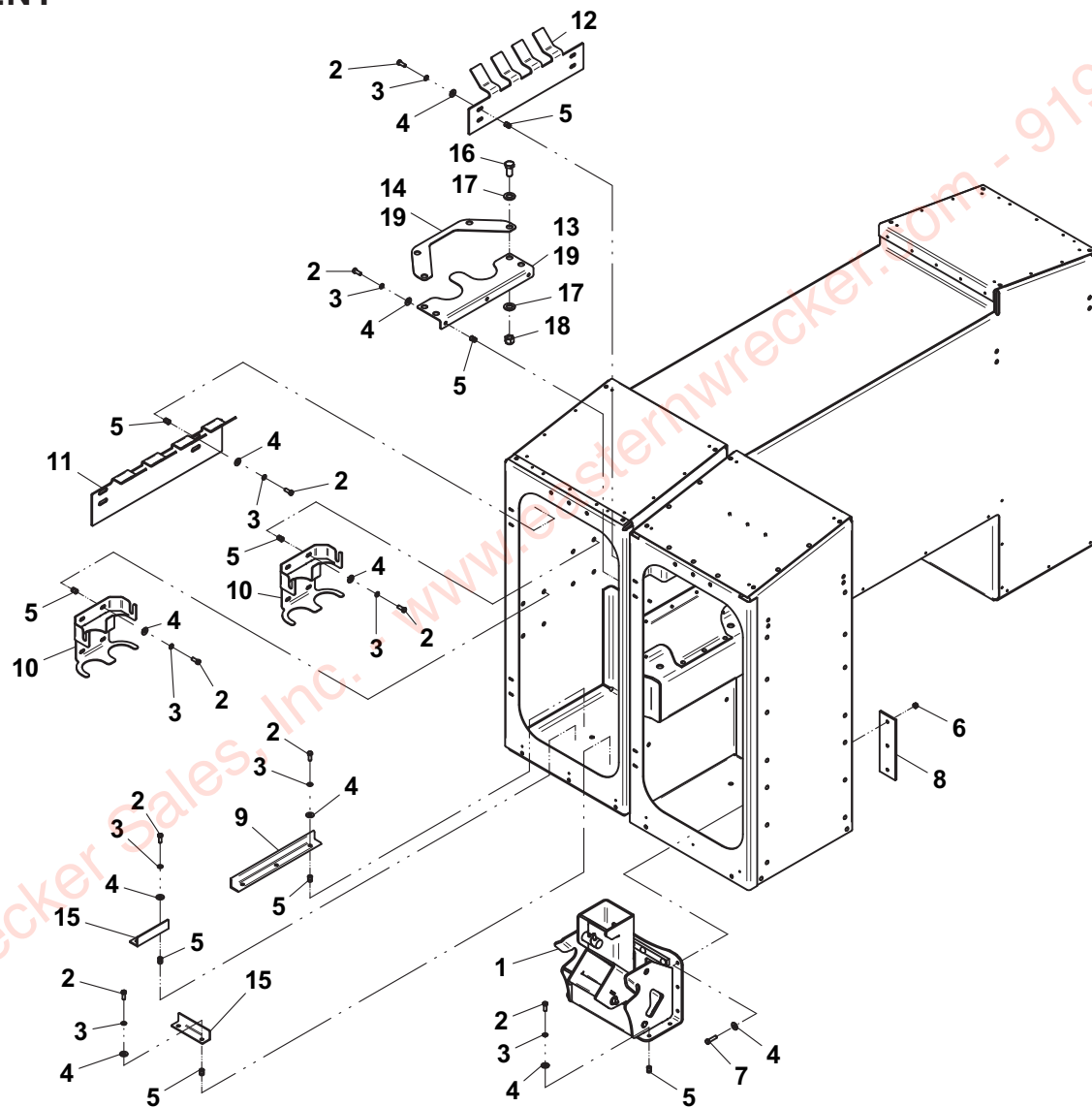
THIS PAGE INTENTIONALLY LEFT BLANK

Eastern Wrecker Sales, Inc. - www.easternwrecker.com - 919-553-4038

25K TIRE LIFT STORAGE BRACKETS FOR 24" TUNNEL TOOL COMPARTMENT & 24" STAND-A-LONE TOOL COMPARTMENT

ITEM	PART NO.	DESCRIPTION	QTY
1	3178000460	Bracket Assembly	1
2	7115161850	Capscrew, 0.38"-16NC x 1.00"	30
3	7950160000	Lockwasher, 0.38" ID	30
4	7950160163	Flatwasher, 0.38" ID	36
5	7413000003	Nutsert, 0.38"-16 NC	30
6	7660162604	Locknut, 0.38"-16NC	30
7	7115161250	Capscrew, 0.38"-16NC x 1.50"	6
8	4062000615	Bar	2
9	4017001549	Angle	1
10	3178000513	Bracket Weldment	2
11	4178000761	Bracket	1
12	4178000760	Bracket	1
13	4178000756	Bracket	1
14	4811001110	Sheet	1
15	4017001581	Angle	2
16	7115221250	Capscrew, 0.75"-10NC x 1.50"	1
17	7950220141	Flatwasher, 0.75" ID	2
18	7660222601	Locknut, 0.75"-10NC	1
19	8632000018	Trim	3Ft

25K TIRE LIFT STORAGE BRACKETS FOR 24" TUNNEL TOOL COMPARTMENT & 24" STAND-A-LONE TOOL COMPARTMENT

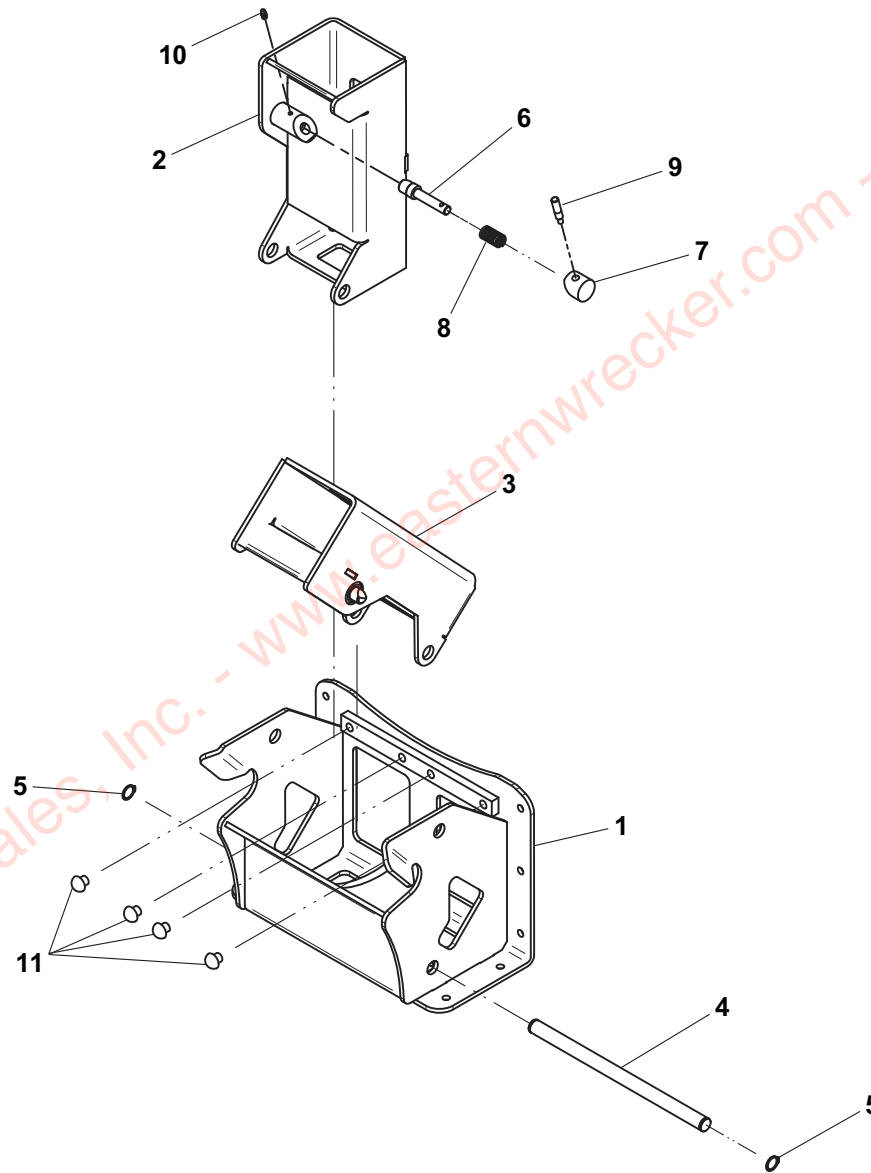


BRACKET ASSEMBLY - 3178000460

ITEM	PART NO.	DESCRIPTION	QTY
1	3178000459	Bracket Weldment	1
2	3911000065	Tube Weldment - LH	1
3	3911000066	Tube Weldment - RH	1
4	4691000543	Pin	1
5	7754000022	Retaining Ring, 0.75" Dia	2
6	4691000186	Pin	2
7	4254000005	Cap	2
8	7843000006	Spring	2
9	4763000184	Rod	2
10	7440030000	Grease Fitting	2
11	7189000007	Rubber Bumper	4

Eastern Wrecker Sales, Inc. - www.easternwrecker.com - 919-553-4038

BRACKET ASSEMBLY - 3178000460

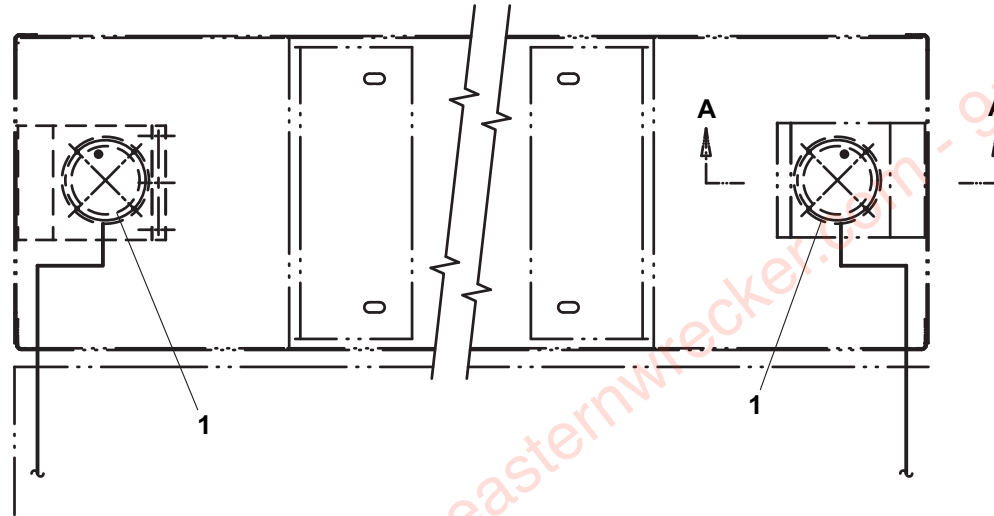


24" TOOL COMPARTMENT LIGHTING

ITEM	PART NO.	DESCRIPTION	QTY
1	7590000094	Light w/ Switch, 12V	2
2	7790100856	Screw, Self Tapping - #10 Dia x 0.50"	8

Eastern Wrecker Sales, Inc. - www.easternwrecker.com - 919-553-4038

24" TOOL COMPARTMENT LIGHTING



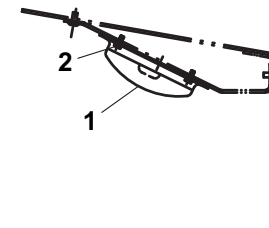
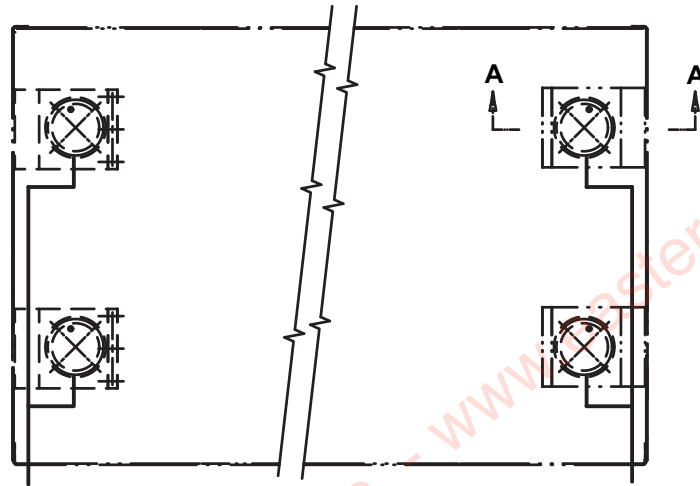
VIEW A-A

49" TOOL COMPARTMENT LIGHTING

ITEM	PART NO.	DESCRIPTION	QTY
1	7590000094	Light w/ Switch, 12V	4
2	7790100856	Screw, Self Tapping - #10 Dia x 0.50"	16

Eastern Wrecker Sales, Inc. - www.easternwrecker.com - 919-553-4038

49" TOOL COMPARTMENT LIGHTING

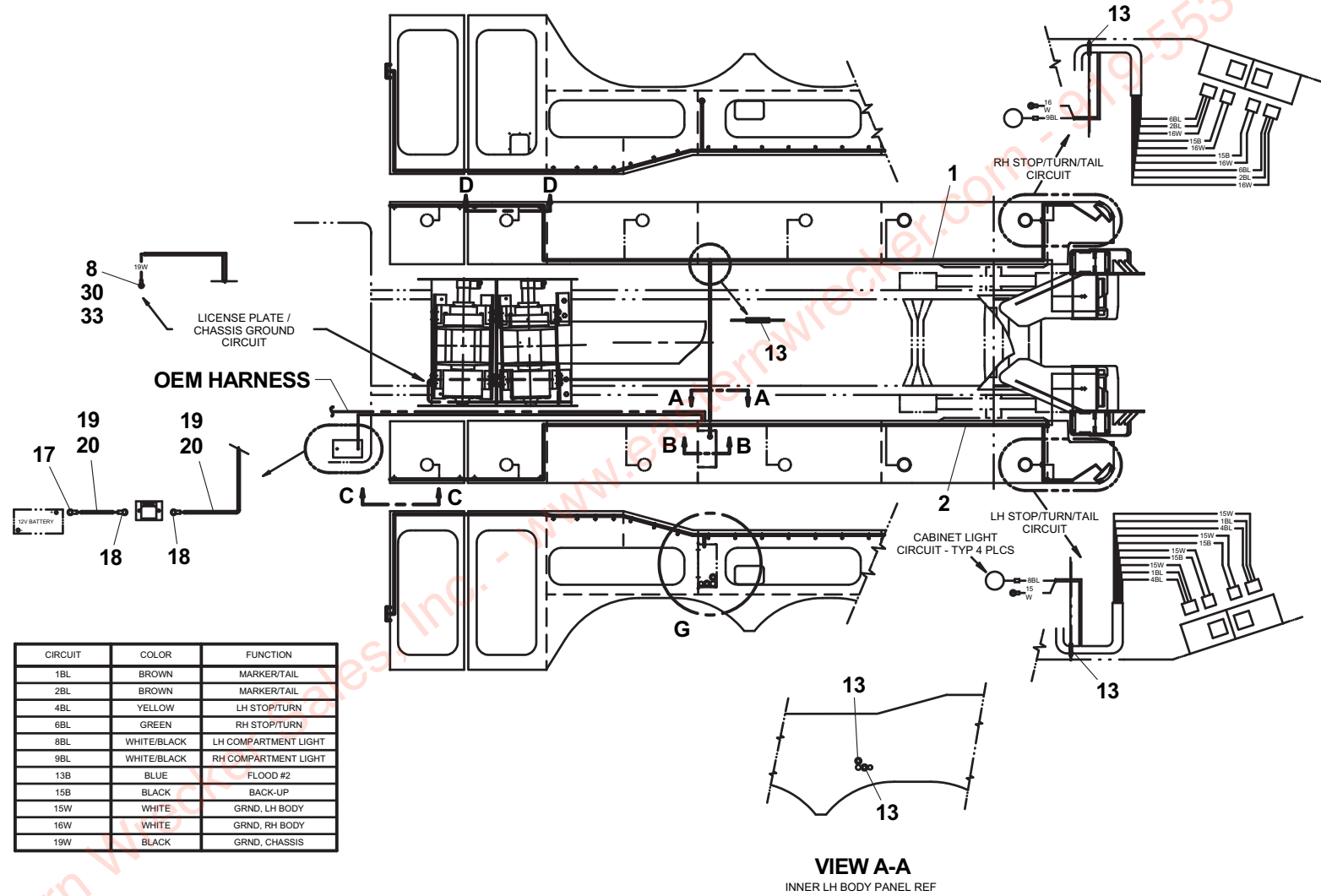


VIEW A-A

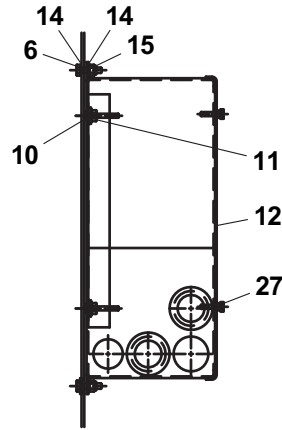
BODY WIRING

ITEM	PART NO.	DESCRIPTION	QTY	ITEM	PART NO.	DESCRIPTION	QTY
1	7552000090	Harness, Body - RH 86"/110" 112" Base Bodies	1	26	7345211702	Electrical Terminal	5
	7552000123	Harness, Body - RH 146"/174" Base Bodies		27	7120000033	Thumb Screw, #10-32 NC x 0.75"	4
2	7552000146	Harness, Body - LH 86"/110" 112" Base Bodies	1	28	7345232202	Electrical Terminal	1
	7552000124	Harness, Body - LH 146"/174" Base Bodies		29	7950150000	Lockwasher, 0.31" ID	1
3	7457000011	Fuse, 10 Amp	3	30	7950150163	Flatwasher, 0.31" ID	3
4	7457000006	Fuse, 15 Amp	1	31	7120000035	Capscrew, .031"-18NC x 0.50"	1
5	7457000012	Fuse, 20 Amp	6	32	7949000053	Washer	1
6	7114140650	Capscrew, 0.25"-20NC x 0.75"	2	33	7660152604	Locknut, 0.31"-18NC	1
7	7661000023	Locknut, #10-32NF	10				
8	7115151650	Capscrew, 0.31"-18NC x 0.75"	2				
9	7870000044	Power Distribution Panel	1				
10	7115101411	Screw, #10-24NC x 1.75"	4				
11	7661000002	Locknut, #10-24NC	4				
12	4346000003	Junction Box 86"/110" 112" Base Bodies	1				
	4346000004	Junction Box 146"/174" Base Bodies					
13	7493000014	Grommet	9				
14	7950140143	Flatwasher, 0.25" ID	4				
15	7660142604	Locknut, 0.25"-20NC	6				
16	7493000011	Grommet	1				
17	7345242202	Electrical Terminal	1				
18	7345222202	Electrical Terminal	2				
19	7978000011	Cable, Red #4	25ft				
20	8597650001	Wire Loom	25ft				
21	7114100618	Capscrew, #10-24NC x 0.75"	8				
22	7274000036	Clamp	8				
23	7660102604	Locknut, #10-24NC	8				
24	7894000031	Tie Strap	4				
25	7790141656	Screw, Self Tapping - 0.25" Dia x 1.00"	4				

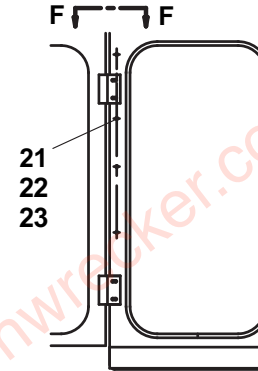
BODY WIRING



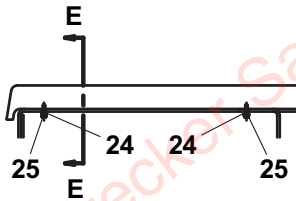
BODY WIRING



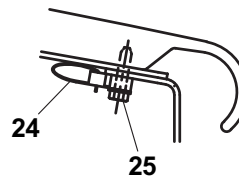
SECTION B-B



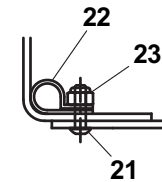
VIEW C-C



SECTION D-D



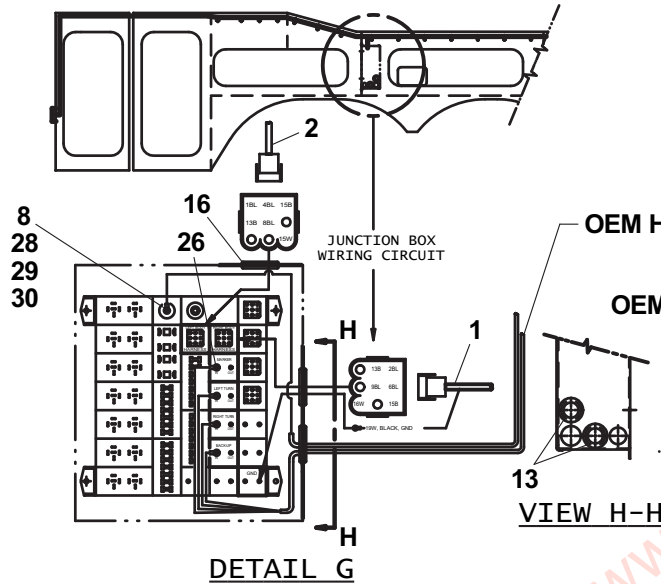
SECTION E-E



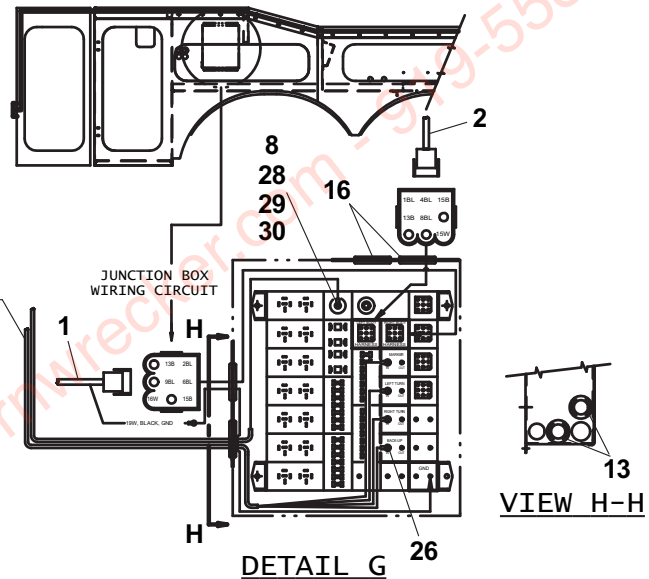
VIEW F-F

Eastern Wrecker Sales, Inc. - www.easternwrecker.com - 919-553-4038

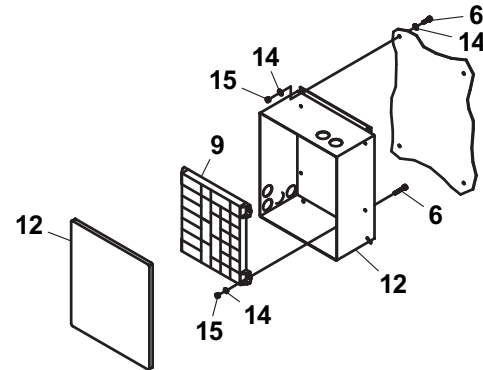
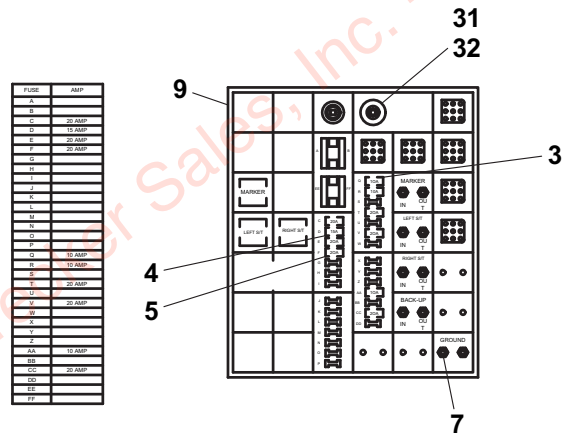
BODY WIRING



DETAIL G
POWER DISTRIBUTION PANEL INSTALLATION
FOR 150-174" CT (2-507-330012)



DETAIL G
POWER DISTRIBUTION PANEL INSTALLATION FOR
90-116" CT (2-506-330019)



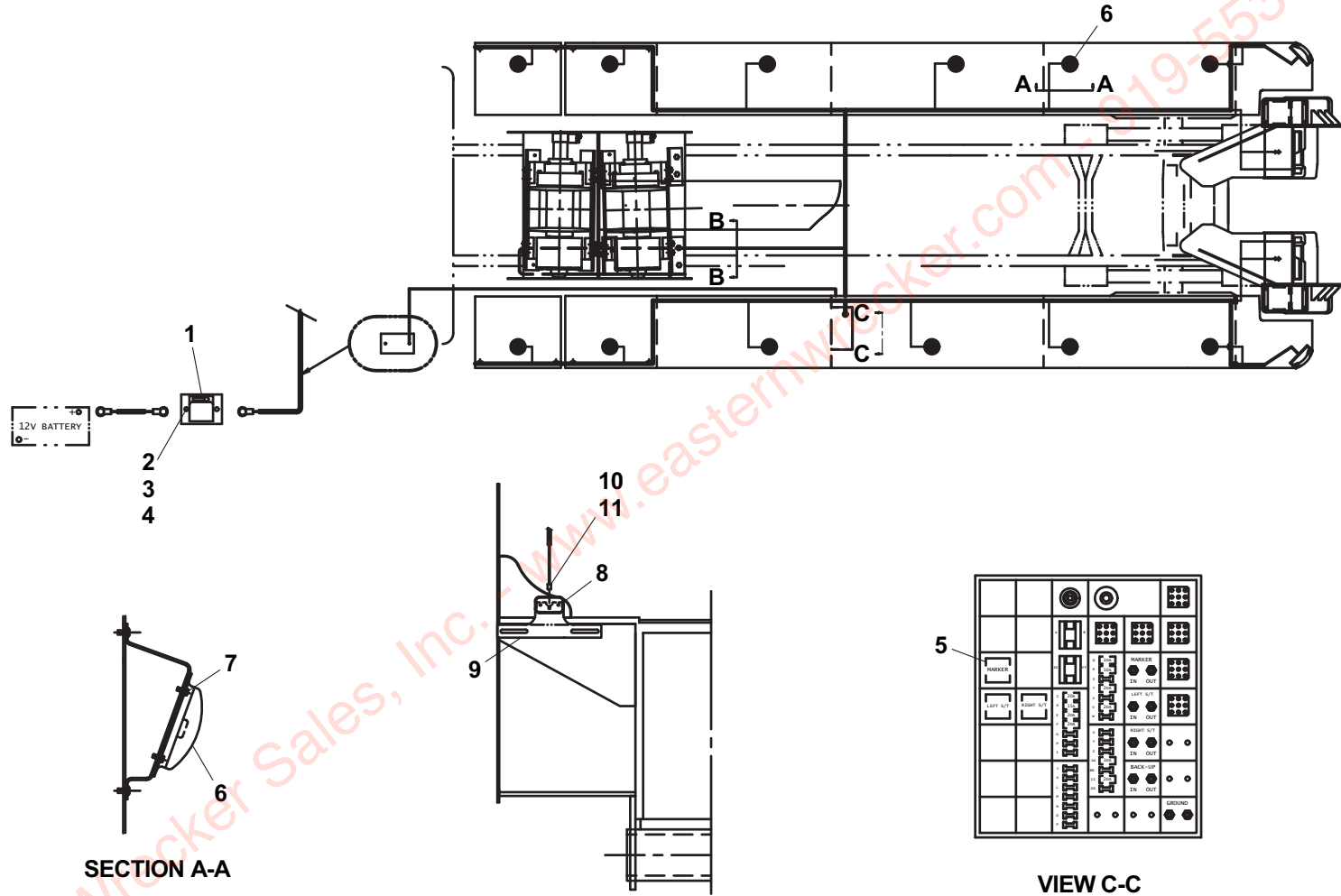
BODY COMPARTMENT LIGHTING

ITEM	PART NO.	DESCRIPTION	QTY
1	7870000043	Circuit Breaker, 150 Amp	1
2	7114140650	Capscrew, 0.25"-20NC x 0.75"	2
3	7950140143	Flatwasher, 0.25" ID	2
4	7660142604	Locknut, 0.25"-20NC	2
5	7740000001	Relay, 40 Amp	3
6	7590000094	Light w/ Switch, 12V - 86" Body	8
	7590000094	Light w/ Switch, 12V - 110" Body	8
	7590000094	Light w/ Switch, 12V - 112" Body	10
	7590000094	Light w/ Switch, 12V - 146" Body	10
	7590000094	Light w/ Switch, 12V - 174" Body	12
7	7790100856	Screw, Self Tapping - #10 Dia x 0.50" 86" Body	32
	7790100856	Screw, Self Tapping - #10 Dia x 0.50" 110" Body	32
	7790100856	Screw, Self Tapping - #10 Dia x 0.50" 112" Body	40
	7790100856	Screw, Self Tapping - #10 Dia x 0.50" 146" Body	40
	7790100856	Screw, Self Tapping - #10 Dia x 0.50" 174" Body	48
8	7590000105	Light, License Plate	1
9	7178000025	Bracket, License Plate	1
10	7345001704	Electrical Terminal - 86" Body	9
	7345001704	Electrical Terminal - 110" Body	9
	7345001704	Electrical Terminal - 112" Body	11
	7345001704	Electrical Terminal - 146" Body	11
	7345001704	Electrical Terminal - 174" Body	13
11	7346000039	Tubing, Heat Shrink - 86" Body	18in
	7346000039	Tubing, Heat Shrink - 110" Body	18in
	7346000039	Tubing, Heat Shrink - 112" Body	22in
	7346000039	Tubing, Heat Shrink - 146" Body	22in
	7346000039	Tubing, Heat Shrink - 174" Body	26in

www.easternwrecker.com - 919-553-4038

Eastern Wrecker, Inc.

BODY COMPARTMENT LIGHTING



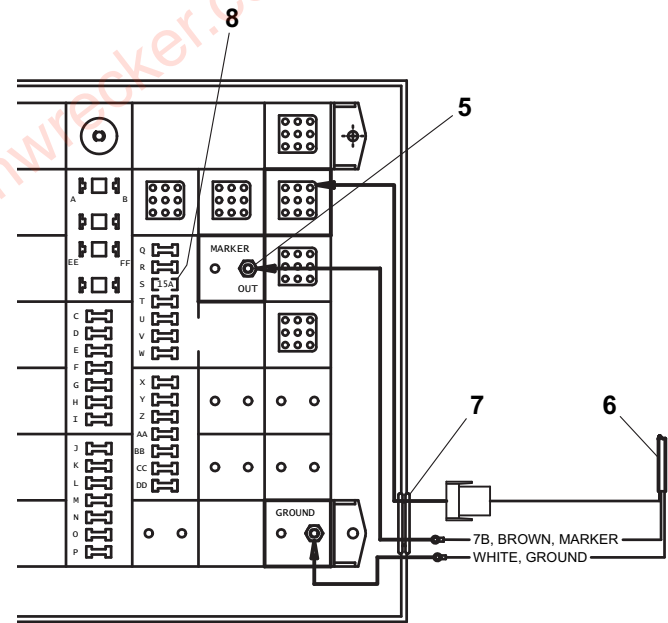
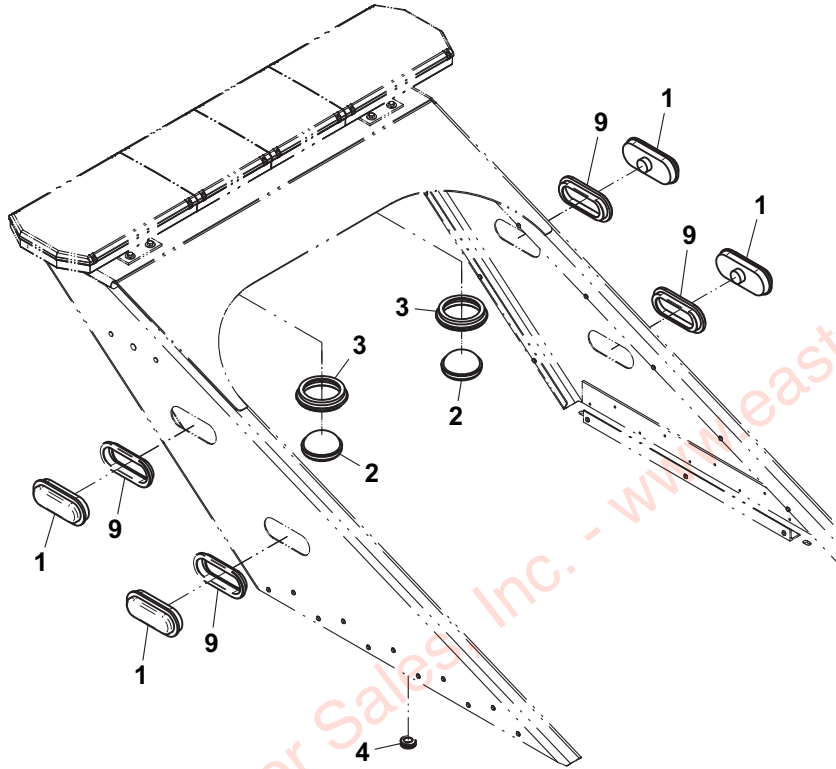
Long Body Shown

HEADBOARD LIGHTING

ITEM	PART NO.	DESCRIPTION	QTY
1	7590000095	Light, Oval Amber Incandescent - 12V	4
	7590000109	Light, Oval Amber Incandescent - 24V	
	7590000300	Light, Oval Amber LED - 12V	
	7590000371	Light, Oval Clear LED - 12V	
2	7590000127	Light, 4" Dome - 12V	2
	7590000134	Light, 4" Dome - 24V	
3	7493000002	Grommet	2
4	7493000003	Grommet	1
5	7661000023	Locknut, #10-32NF	2
6	7552000125	Harness	1
7	7493000014	Grommet	2
8	7457000006	Fuse, 15 Amp	1
9	7457000011	Fuse, 10 Amp	1
10	7493000026	Grommet	4

Eastern Wrecker Sales, Inc. - www.easternwrecker.com - 919-553-4038

HEADBOARD LIGHTING

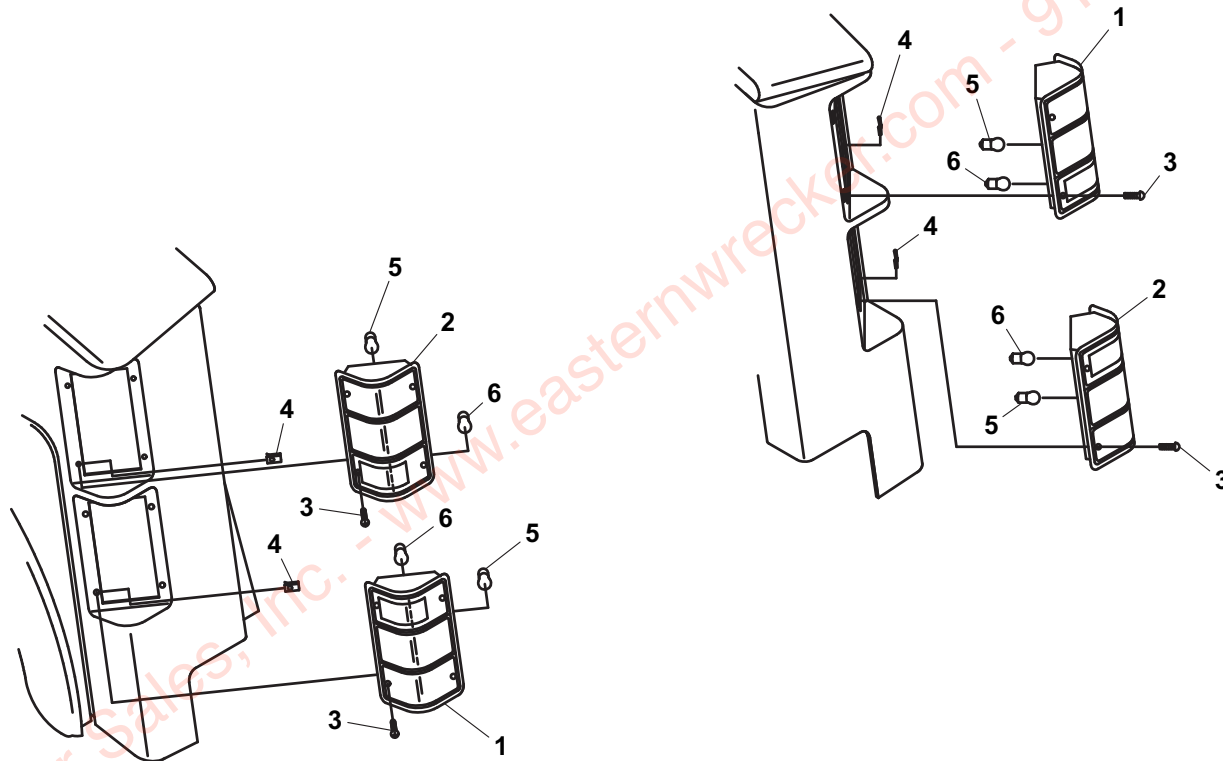


INCANDESCENT TAIL LIGHTS

ITEM	PART NO.	DESCRIPTION	QTY
1	7590000204	Light, STT - RH	2
2	7590000205	Light, STT - LH	2
3	7114101210	Screw, #10-24NC x 1.55"	16
4	7661000024	U-Nut, #10-24NC	16
5	7188000001	Bulb, STT	4
6	7188000002	Bulb, Back-up	4

Eastern Wrecker Sales, Inc. - www.easternwrecker.com - 919-553-4038

INCANDESCENT TAIL LIGHTS



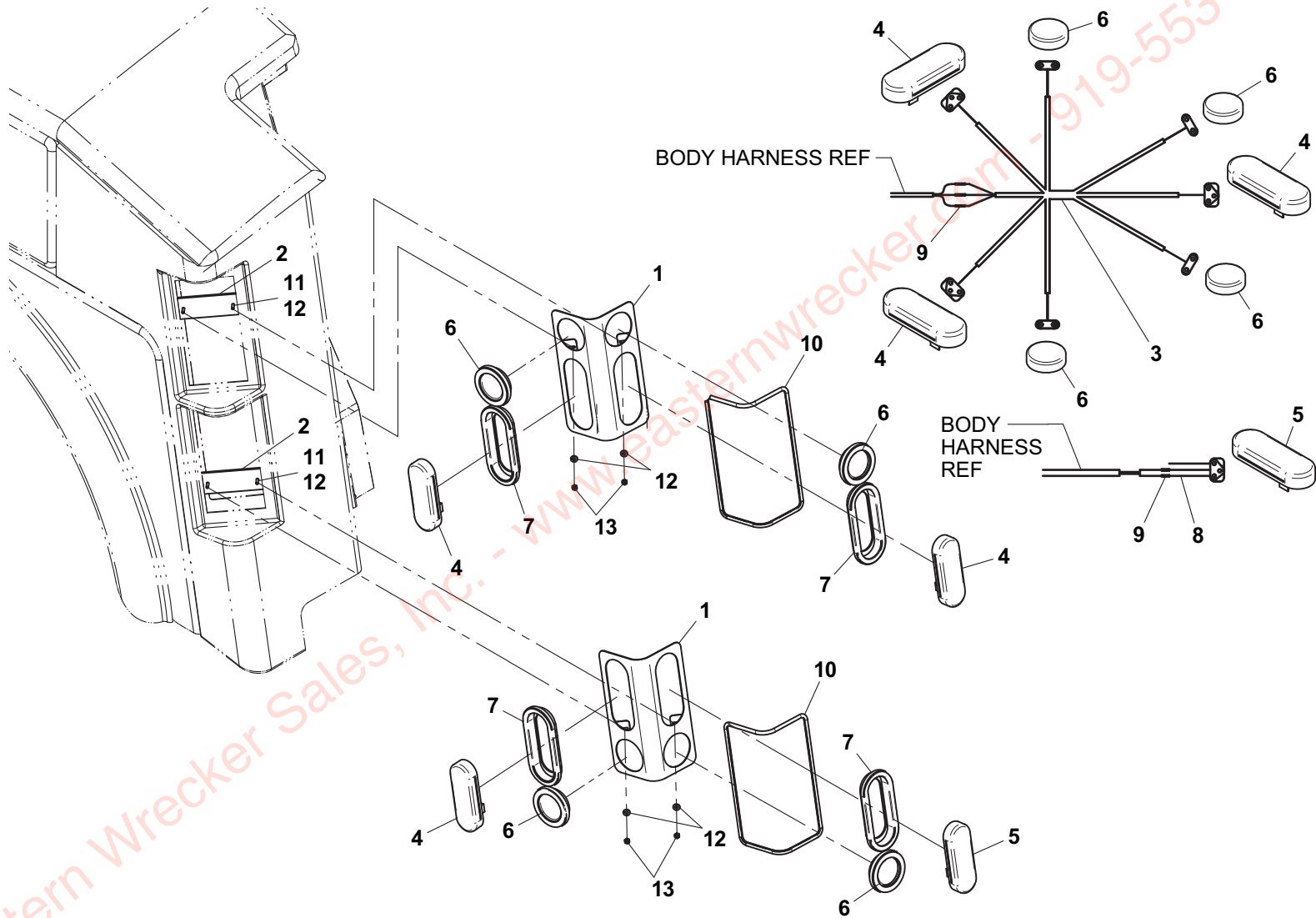
Items #14, #15 and #16, not shown

LED TAIL LIGHTS

ITEM	PART NO.	DESCRIPTION	QTY
1	3178000520	Bracket - Steel	4
	3178000524	Bracket - Stainless Steel	
2	4062000668	Bar	4
3	7552000376	Harness	2
4	7590000284	Light, Oval Red	6
	7590000370	Light, Oval Clear	
5	7590000317	Light, Oval Back-up	2
6	7590000304	Light, Round Red w/ Grommet	8
	7590000372	Light, Round Clear w/ Grommet	
7	7493000026	Grommet	8
8	7552000379	Harness	2
9	7346000039	Tubing, Heat Shrink	30in
10	8632000026	Trim	14ft
11	7114100818	Capscrew, #10-24NC x 1.00"	8
12	7950100163	Flatwasher, #10 ID	16
13	7660102604	Locknut, #10-24NC	8
14	5526000553	Tie Strap	4
15	7552000418	Harness	1
16	7330000821	Decal, Reflective (For Clear Lens Only)	4

Eastern Wrecker Sales, Inc. - www.easternwrecker.com - 919-553-4038

LED TAIL LIGHTS



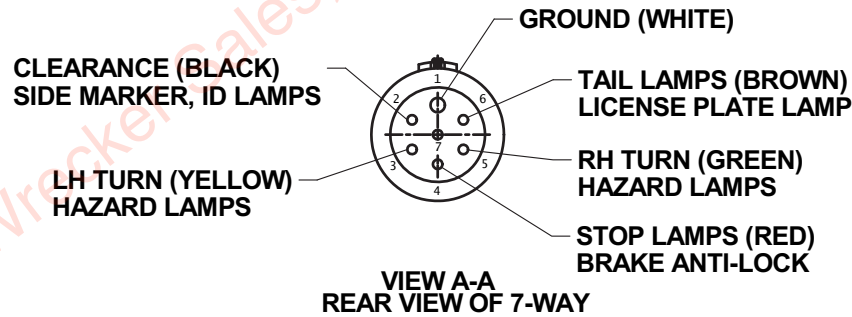
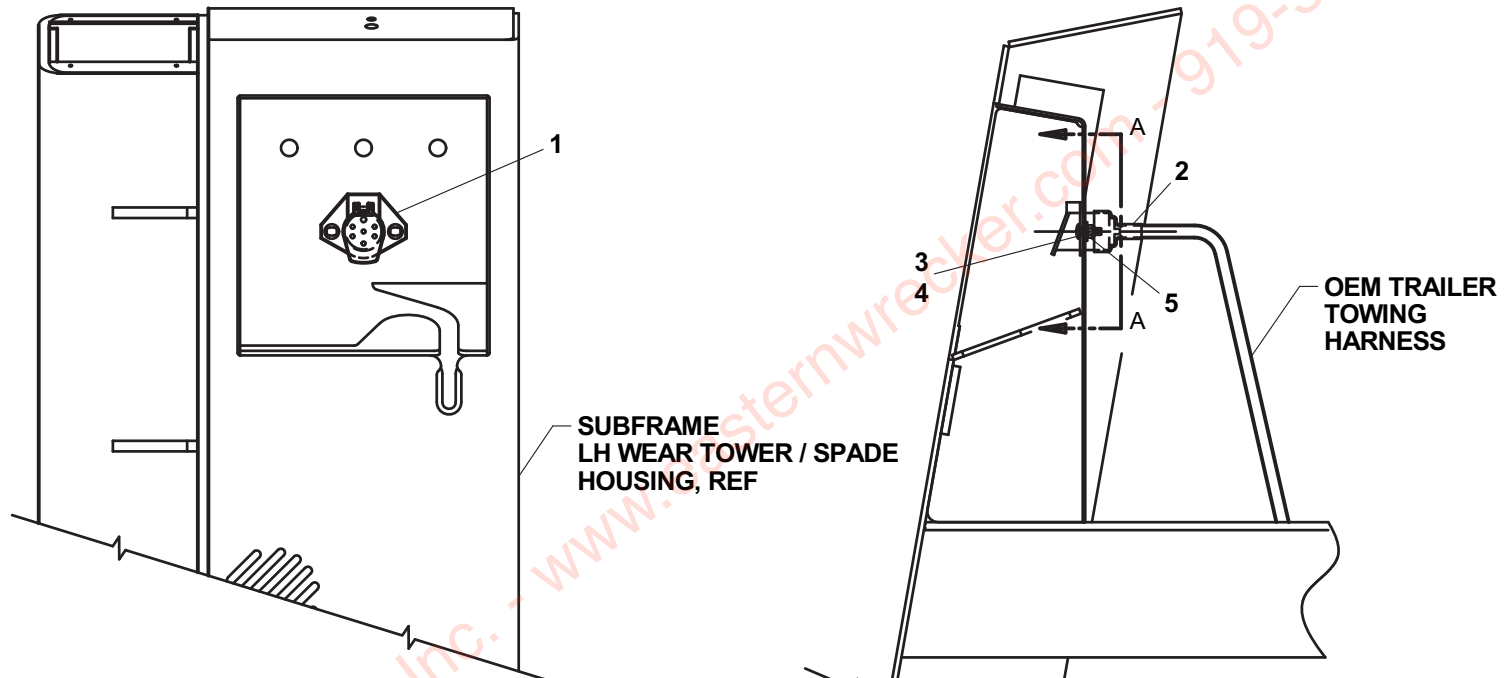
Items #14, #15 and #16, not shown

7-WAY TRAILER TOWING PLUG

ITEM	PART NO.	DESCRIPTION	QTY
1	7346000055	Electrical, 7-Way Connector	1
2	7346000078	Electrical, 7-Way Connector Boot	1
3	7115150864	Bolt, 0.31"-18NC x 1.00" Carrage	2
4	7950150163	Flatwasher, 0.31" ID	2
5	7660152604	Locknut, 0.31"-18NC	2

Eastern Wrecker Sales, Inc. - www.easternwrecker.com - 919-553-4038

7-WAY TRAILER TOWING PLUG



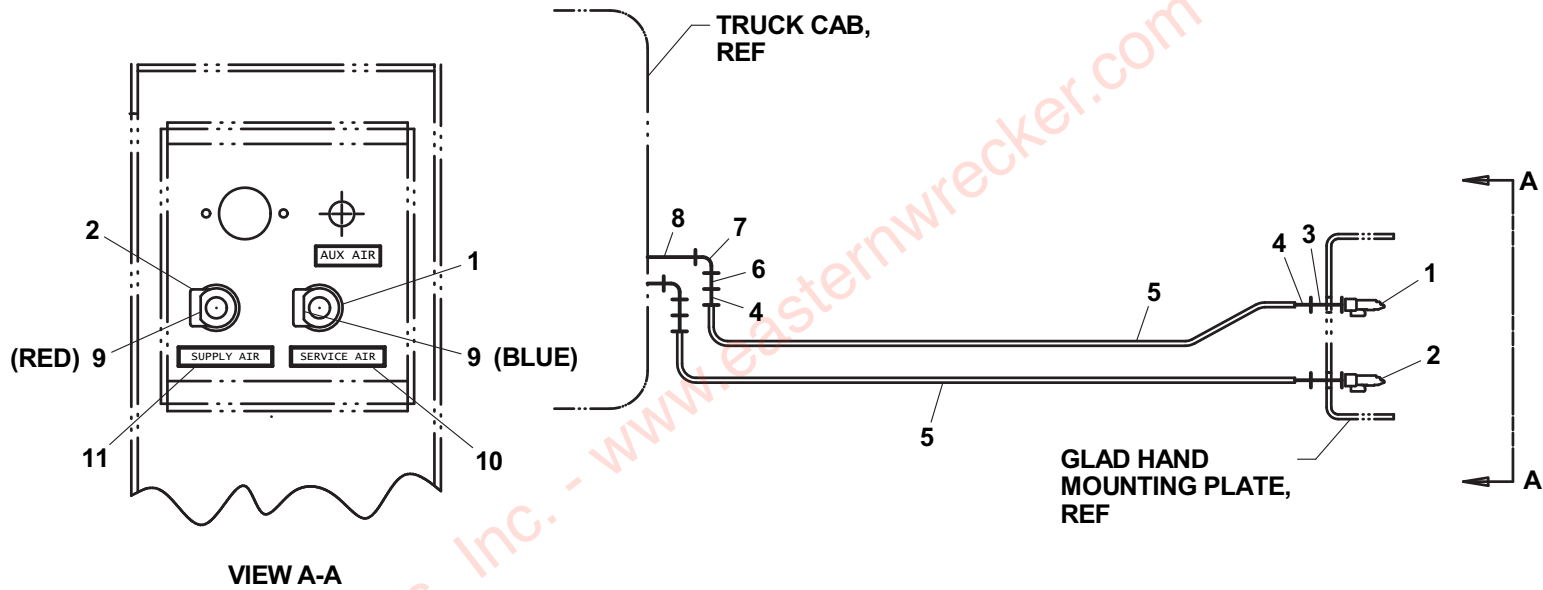
GLAD HANDS

ITEM	PART NO.	DESCRIPTION	QTY
1	7312000015	Fitting, Glad Hand - Emergency	1
2	7312000016	Fitting, Glad Hand - Service	1
3	7446502518	Fitting, Bulkhead	2
4	7446382506	Fitting, Connector	4
5	7565000014	Airline, Tubing 0.38 OD	*
6	7443000148	Fitting, Bushing	2
7	7443000146	Fitting, Elbow	2
8	7443000145	Fitting, Bushing	2
9	7577000145	Kit, Gland Hand Seal	1
10	7330000208	Decal, Service Air	1
11	7330000209	Decal, Supply Air	1

* Varies by chassis length

Eastern Wrecker Sales, Inc. - www.easternwrecker.com - 919-553-4038

GLAD HANDS

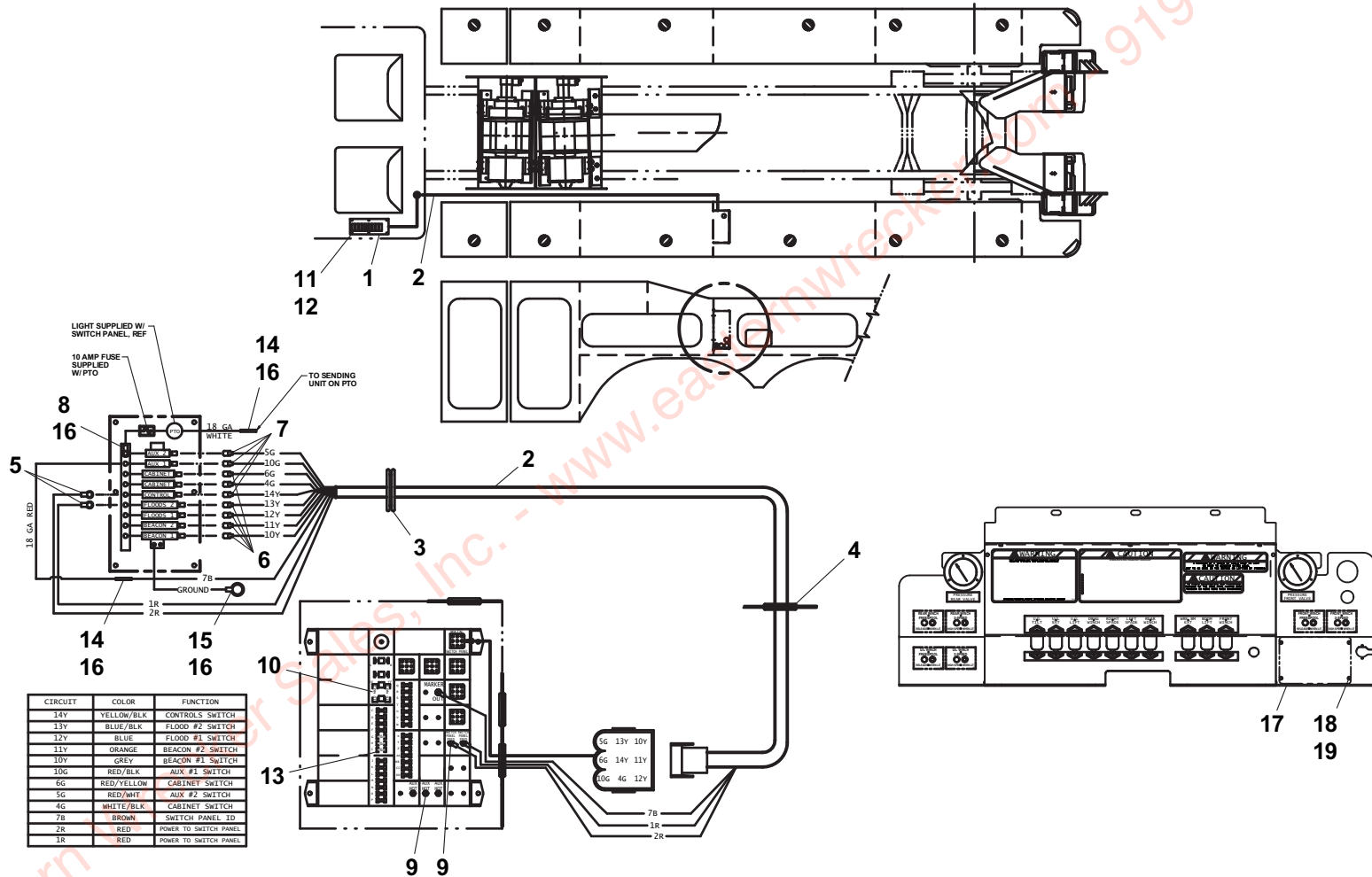


SWITCH PANEL - 9 FUNCTION

ITEM	PART NO.	DESCRIPTION	QTY
1	7870000075	Switch Panel, 9 Function	1
2	7552000092	Harness	1
3	7493000003	Grommet	1
4	7493000011	Grommet	2
5	7345211902	Electrical Terminal	2
6	7345001710	Electrical Terminal	5
7	7345001910	Electrical Terminal	4
8	7345211702	Electrical Terminal	1
9	7661000023	Lockwasher, #10-32NF	6
10	7457000023	Fuse, 20 Amp Maxi	2
11	7790141651	Screw, Self Tapping - 0.25" Dia x 1.00"	6
12	7950140143	Flatwasher, 0.25" ID	6
13	7457000012	Fuse, 20 Amp	3
14	7345001714	Electrical Terminal	2
15	7345221902	Electrical Terminal	1
16	7346000039	Tubing, Heat Shrink	9in
17	4811001208	Cover Plate	2
18	7114100618	Capscrew, #10-24NC x 0.75"	8
19	7660102604	Locknut, #10-24NC	8

Eastern Wrecker Sales, Inc. - www.easternwrecker.com - 919-553-4038

SWITCH PANEL - 9 FUNCTION



SWITCH PANEL - 9 FUNCTION WITH IN-CAB UNDERLIFT CONTROLS

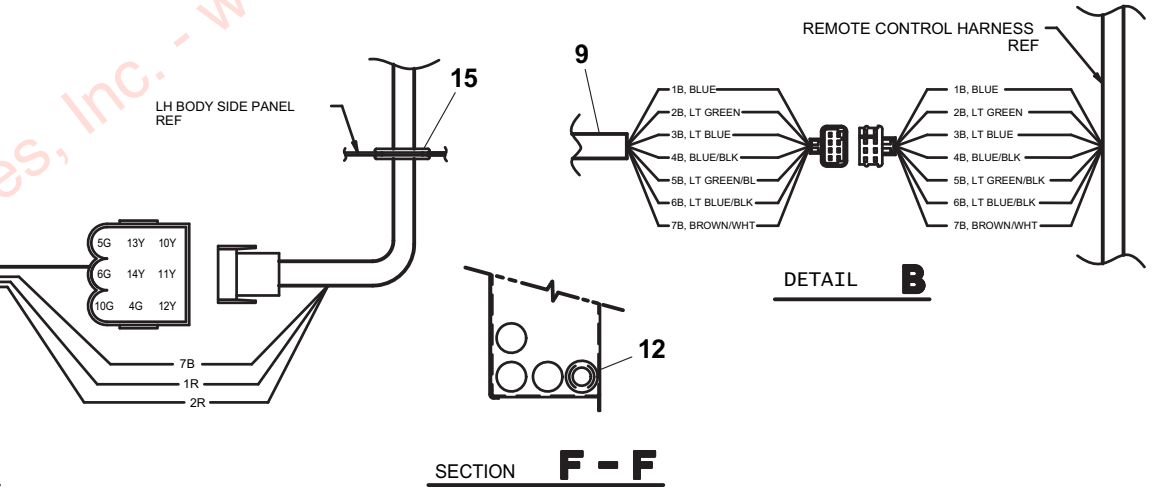
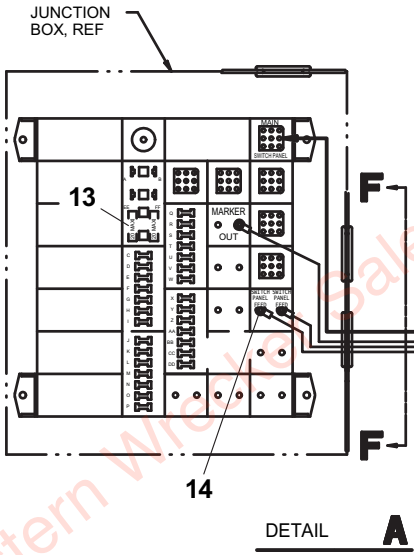
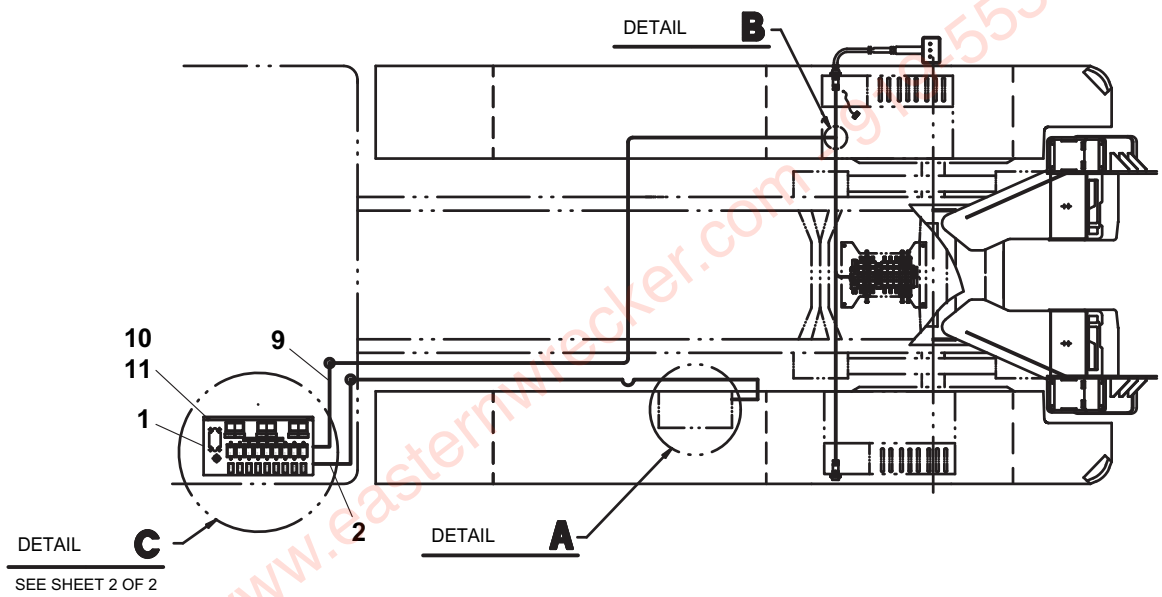
ITEM	PART NO.	DESCRIPTION	QTY
1	787000058	Switch Panel, 9 Function	1
2	755200092	Harness	1
3	749300003	Grommet	2
4	7345221702	Electrical Terminal	1
5	734600039	Tubing, Heat Shrink	48in
6	7345001714	Electrical Terminal	3
7	7345001914	Electrical Terminal	11
8	7345201710	Electrical Terminal	6
9	7552000395	Harness	1
10	7790141651	Screw, Self Tapping - 0.25" Dia x 1.00"	4
11	7950140143	Flatwasher, 0.25" ID	4
12	7493000011	Grommet	1
13	7457000023	Fuse, 20 Amp Maxi	2
14	7661000023	Lockwasher, #10-32NF	3
15	7493000014	Grommet	1

Eastern Wrecker Sales, Inc. - www.easternwrecker.com - 919-553-4038

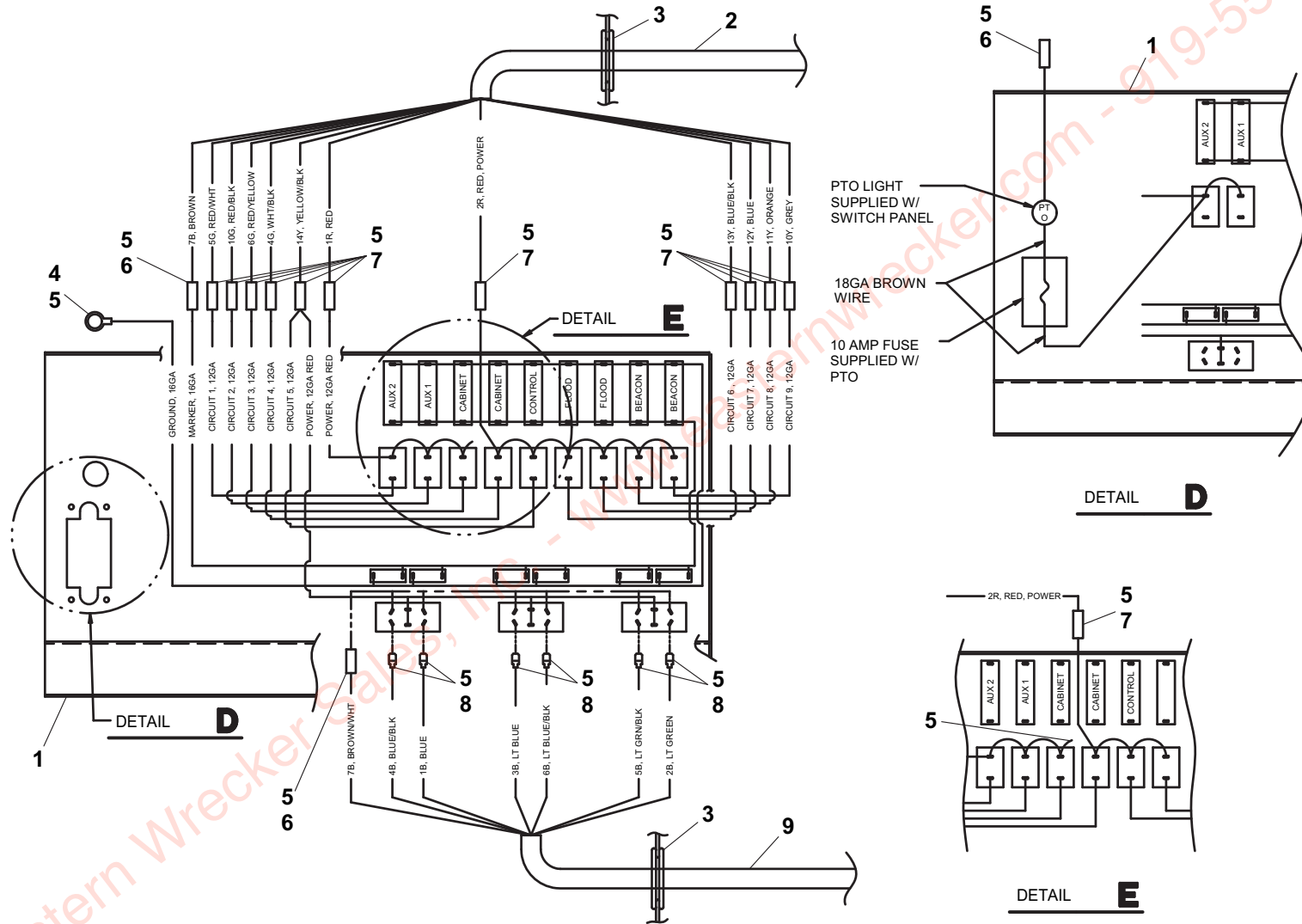
SWITCH PANEL - 9 FUNCTION WITH IN-CAB UNDERLIFT CONTROLS

CIRCUIT	COLOR	FUNCTION
14Y	YELLOW/BLK	CONTROLS SWITCH
13Y	BLUE/BLK	FLOOD #2 SWITCH
12Y	BLUE	FLOOD #1 SWITCH
11Y	ORANGE	BEACON #2 SWITCH
10Y	GREY	BEACON #1 SWITCH
10G	RED/BLK	AUX #1 SWITCH
6G	RED/YELLOW	CABINET SWITCH
5G	RED/WHT	AUX #2 SWITCH
4G	WHITE/BLK	CABINET SWITCH
7B	BROWN	SWITCH PANEL ID
2R	RED	POWER TO SWITCH PANEL
1R	RED	POWER TO SWITCH PANEL

CIRCUIT	COLOR	FUNCTION
7B	BROWN/WHT	PILOT PRESS
6B	LT BLUE/BLK	U/L BOOM IN
5B	LT GREEN/BLK	TILT DOWN
4B	BLUE/BLK	BOOM DOWN
3B	LT BLUE	U/L BOOM OUT
2B	LT GREEN	TILT UP
1B	BLUE	BOOM UP



SWITCH PANEL - 9 FUNCTION WITH IN-CAB UNDERLIFT CONTROLS



Eastern Wrecker Sales, Inc. - 919-553-4038

THIS PAGE INTENTIONALLY LEFT BLANK

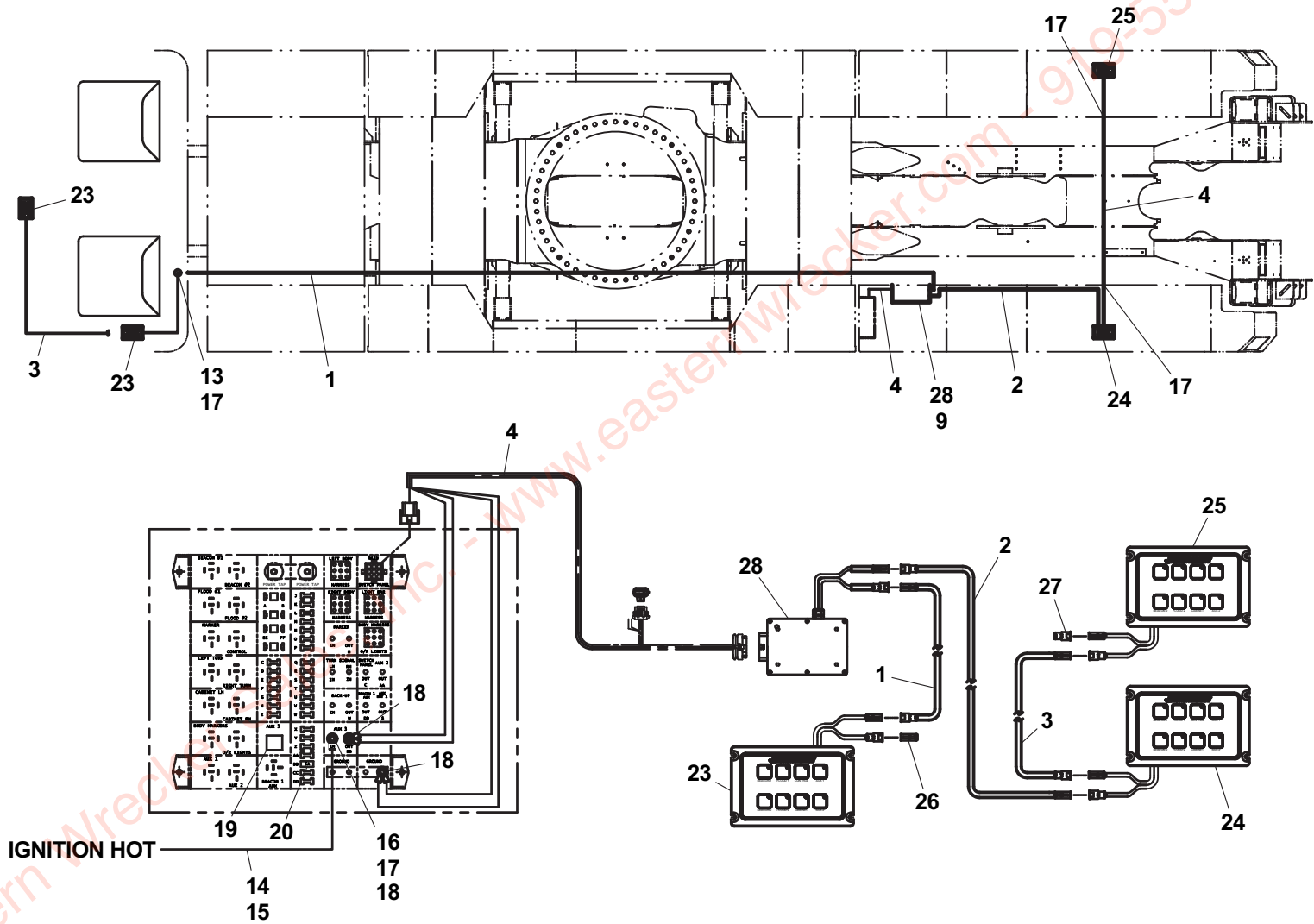
Eastern Wrecker Sales, Inc. - www.easternwrecker.com - 919-553-4038

SWITCH PANEL - 8 FUNCTION MULTIPLEX

ITEM	PART NO.	DESCRIPTION	QTY	ITEM	PART NO.	DESCRIPTION	QTY
1	7552000455	Harness	1	23	7870000155*	Switch Panel	1
2	7552000456	Harness	1	24	7870000156*	Switch Panel	1
3	7552000457	Harness	2	25	7870000157*	Switch Panel	1
4	7552000460	Harness	1	26	7346000276*	Electrical Terminator Plug	1
5	4686000253	Panel	1	27	7346000277*	Electrical Terminator Plug	1
	4686000292	Panel (Peterbilt Chassis Only)		28	7295000138*	Controller, Switch Panel	1
6	4686000254	Panel	1				
	3686000062	Panel Weldment, Overhead (Peterbilt Chassis Only)					
						* Available in Switch Panel Kit - 7577000025	
7	7114100418	Capscrew, #10-24NC x 0.50"	20				
	7114100418	Capscrew, #10-24NC x 0.50" (Peterbilt Chassis Only)	20				
8	7790141651	Screw, Self Tapping - 0.25" Dia x 1.00" (Non Peterbilt Chassis)	4				
9	7660142301	Locknut, 0.25"-20NC	4				
10	7950100103	Flatwasher, #10 ID	16				
	7590100103	Flatwasher, #10 ID (Peterbilt Chassis Only)	20				
11	7950140143	Flatwasher, 0.25" ID	4				
12	7661000024	U-Nut, #10-24NC	4				
13	7493000022	Grommet	3				
14	8977510200	Wire, 14GA. Red	25Ft				
15	8597650002	Wire Loom	25Ft				
16	7345211701	Electrical Terminal	1				
17	7346000039	Tubing, Heat Shrink	4in				
18	7661000002	Locknut, #10-24NC	3				
19	7740000001	Relay, 40 Amp	1				
20	7457000019	Fuse, 5 Amp	1				
21	7660102604	Locknut, #10-24NC	12				
	7660102604	Locknut, #10-24NC (Peterbilt Chassis Only)	16				
22	4811001208	Sheet, Cover Plate (Peterbilt Chassis Only)	1				

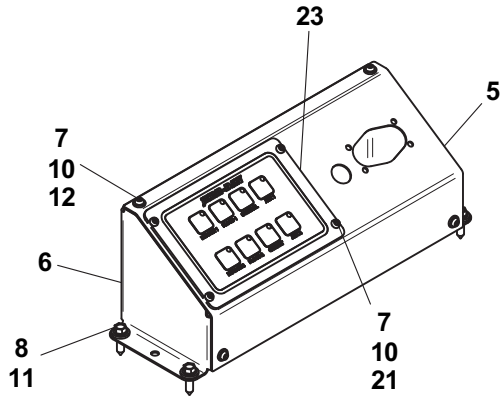
www.easternwrecker.com 1-800-553-4038

SWITCH PANEL - 8 FUNCTION MULTIPLEX

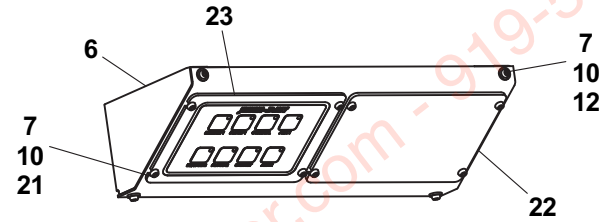


Body shown is for reference only

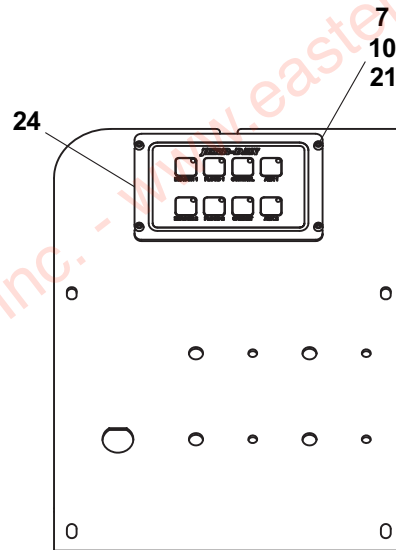
SWITCH PANEL - 8 FUNCTION MULTIPLEX



CAB FLOOR MOUNT



PETERBILT 335 HEADLINER MOUNT.



CONTROL STATIONS

Eastern Wrecker Sales, Inc. - www.easternwrecker.com - 919-553-4038

THIS PAGE INTENTIONALLY LEFT BLANK

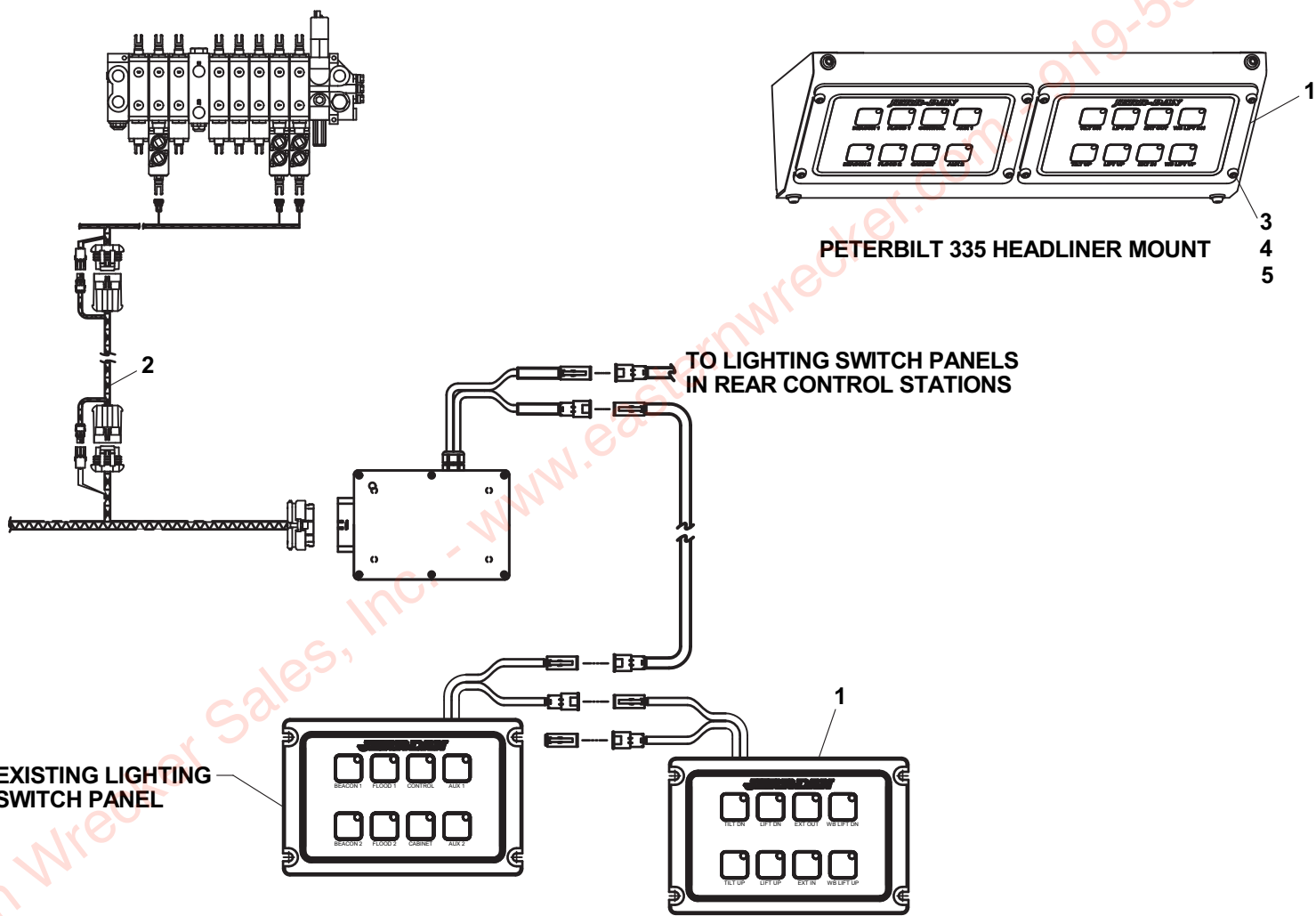
Eastern Wrecker Sales, Inc. - www.easternwrecker.com - 919-553-4038

SWITCH PANEL - 8 FUNCTION MULTIPLEX WITH UNDERLIFT CONTROLS

ITEM	PART NO.	DESCRIPTION	QTY
1	7870000158	Switch Panel - Integrated Underlift Units	1
	7870000160	Switch Panel - Independent Underlift Units	
2	7552000458	Harness	1
3	7114100418	Capscrew, #10-24NC x 0.50"	4
4	7950100103	Flatwasher, #10 ID	4
5	7660102604	Locknut, #10-24NC	4

Eastern Wrecker Sales, Inc. - www.easternwrecker.com - 919-553-4038

SWITCH PANEL - 8 FUNCTION MULTIPLEX WITH UNDERLIFT CONTROLS

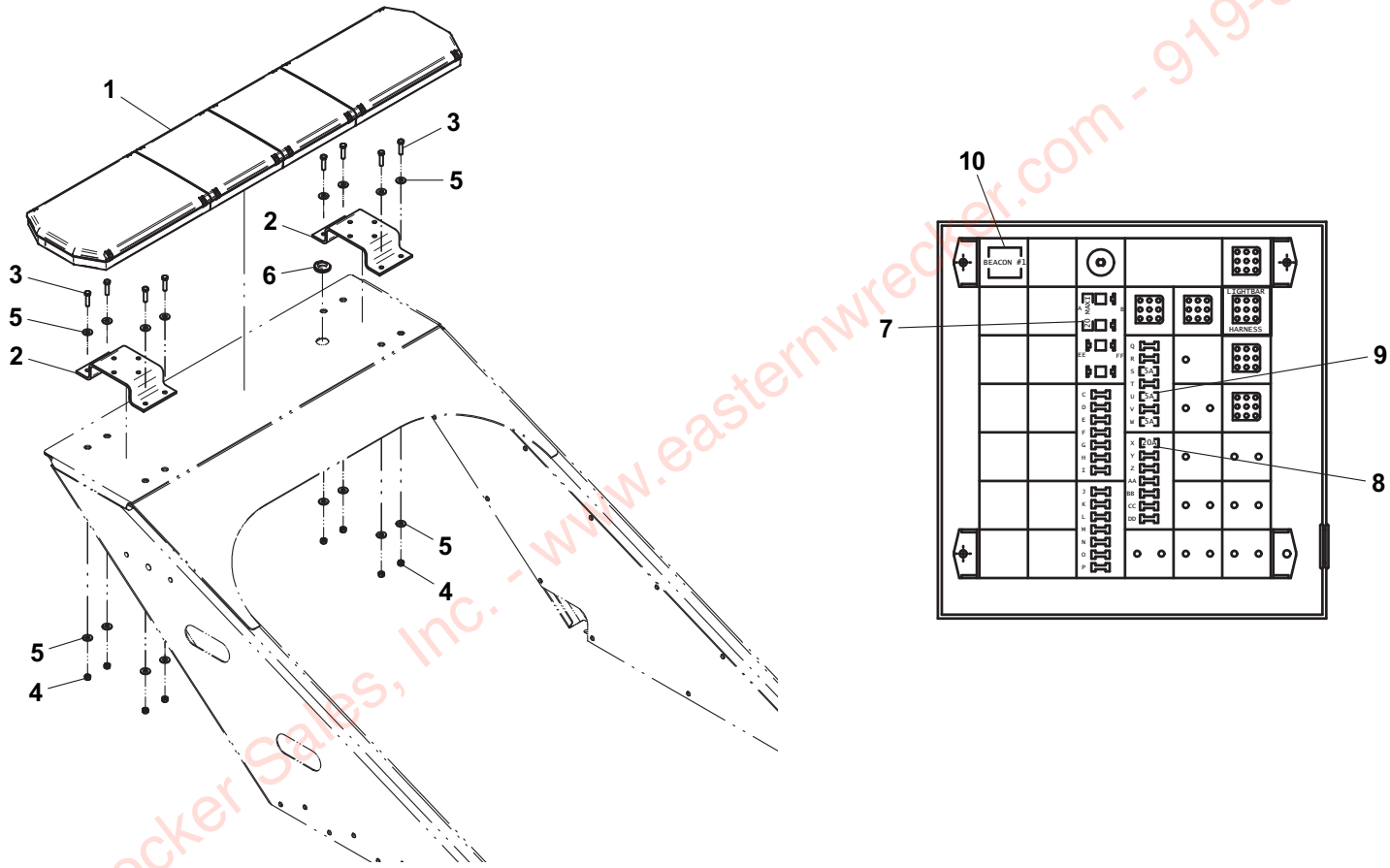


EMERGENCY LIGHTBAR INSTALLATION

ITEM	PART NO.	DESCRIPTION	QTY
1	7590000396	Lightbar - LED	1
2	4178000234	Bracket	2
3	7115161250	Capscrew, 0.38-16NC x 1.50"	8
4	7660162604	Locknut, 0.38"-16NC	8
5	7950160163	Flatwasher, 0.38" ID	16
6	7493000011	Grommet	1
7	7457000023	Fuse, 20 Amp Maxi	1
8	7457000012	Fuse, 20 Amp	1
9	7457000019	Fuse, 5 Amp	3
10	7740000001	Relay, 40 Amp	1

Eastern Wrecker Sales, Inc. - www.easternwrecker.com - 919-553-4038

EMERGENCY LIGHTBAR INSTALLATION



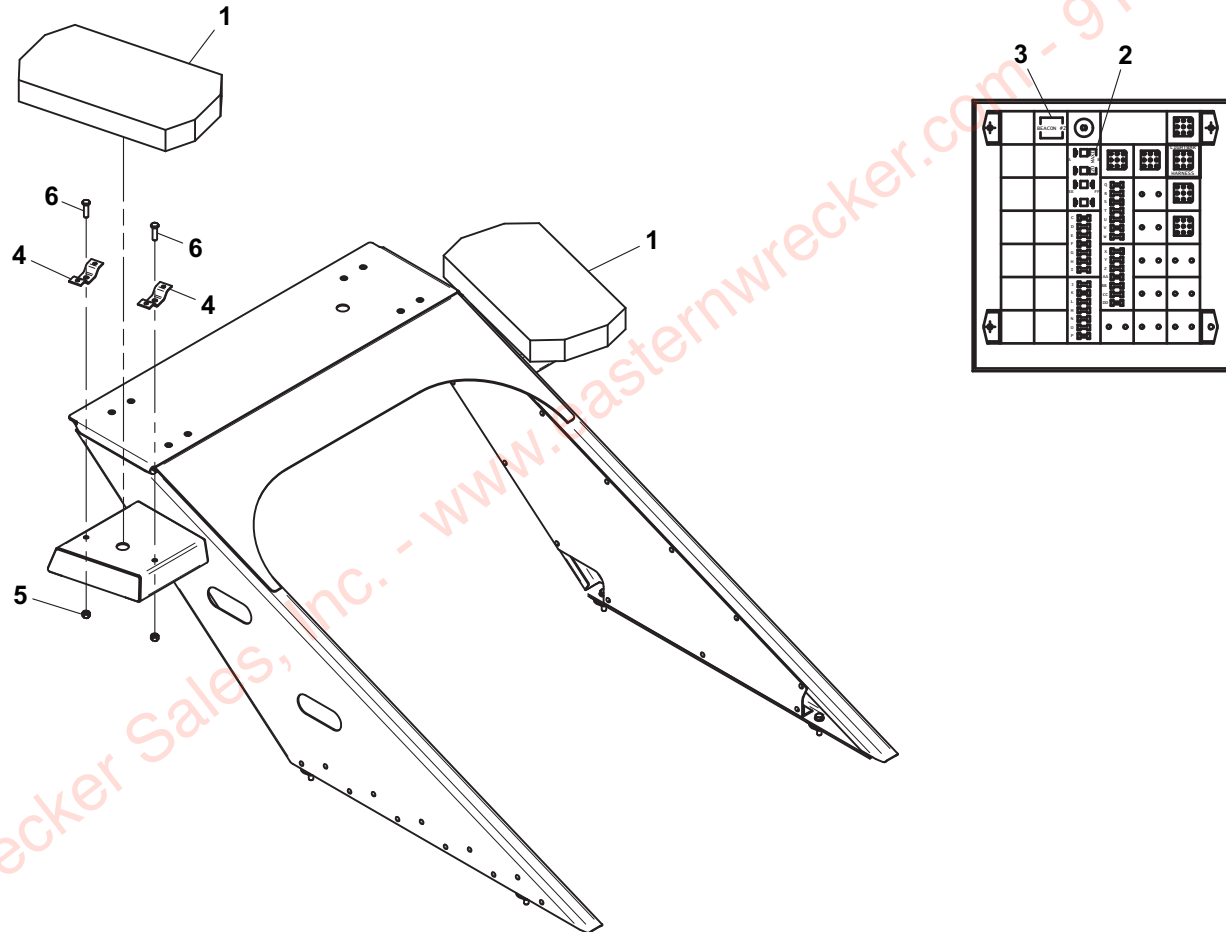
Lightbar mounting hardware is supplied with lightbar

EMERGENCY WING LIGHTBAR INSTALLATION

ITEM	PART NO.	DESCRIPTION	QTY
1	7590000398	Lightbar - LED	2
	7590000310	Lightbar - Halogen	
	7590000310	Lightbar - Strobe	
2	7457000023	Fuse, 20 Amp Maxi	1
3	7740000001	Relay, 40 Amp	1
4	4178000402	Bracket	4
5	7660182601	Locknut, 0.50"-13NC	4
6	7115181450	Capscrew, 0.50-13NC x 1.75"	4

Eastern Wrecker Sales, Inc. - www.easternwrecker.com - 919-553-4038

EMERGENCY WING LIGHTBAR INSTALLATION



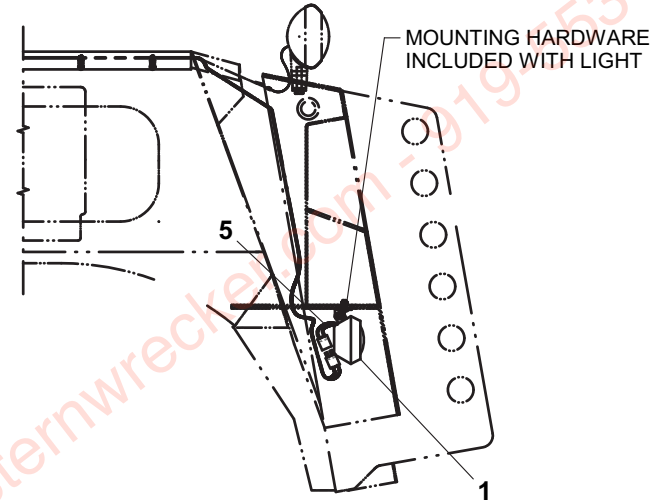
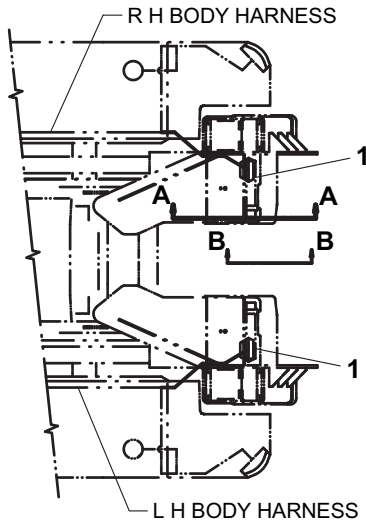
Lightbar mounting hardware is supplied with lightbar
LED Lightbar shown

LOWER HOOK-UP LIGHTS

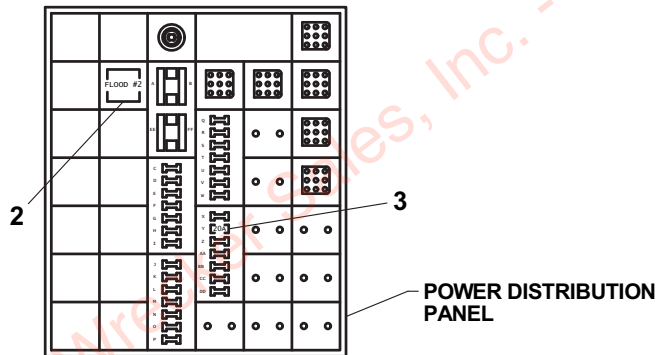
ITEM	PART NO.	DESCRIPTION	QTY
1	7590000089	Light	2
2	7740000001	Relay, 40 Amp	1
3	7457000012	Fuse, 20 Amp	1
4	7274000026	Clamp	6
5	8597650002	Wire Loom	2Ft

Eastern Wrecker Sales, Inc. - www.easternwrecker.com - 919-553-4038

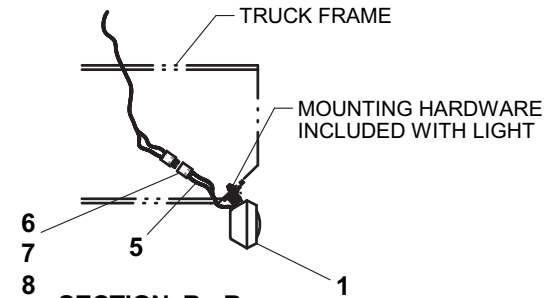
LOWER HOOK-UP LIGHTS



SECTION A - A
STANDARD LOWER HOOK-UP LIGHTS



RELAY AND FUSE REQUIREMENTS



SECTION B - B
STANDARD / DELUXE LOWER HOOK-UP LIGHTS

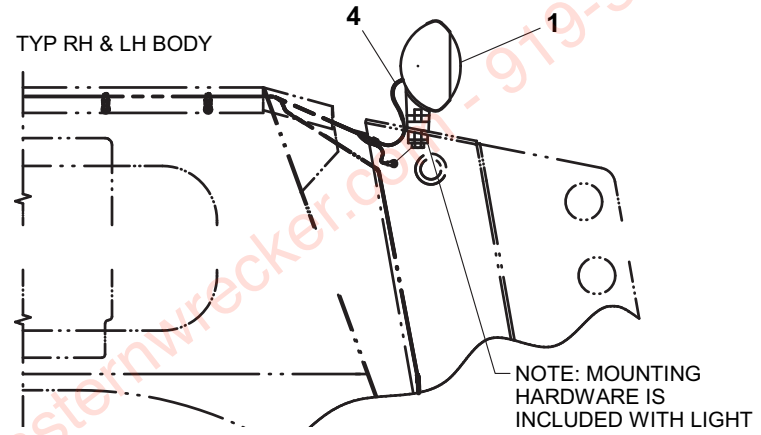
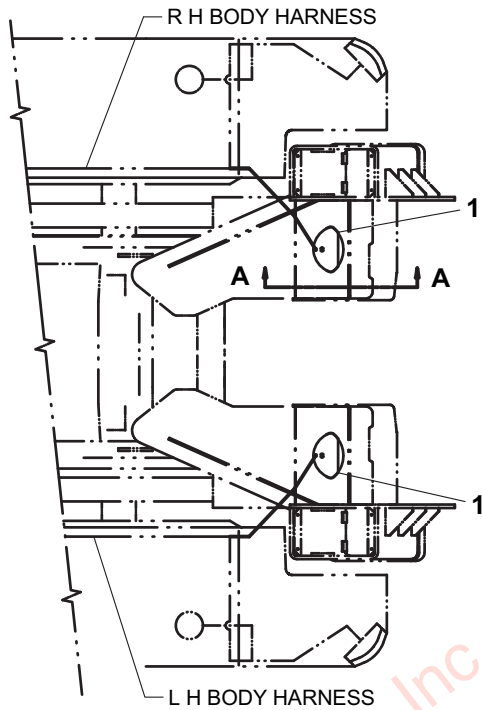
Item #4, not shown

UPPER HOOK-UP LIGHTS

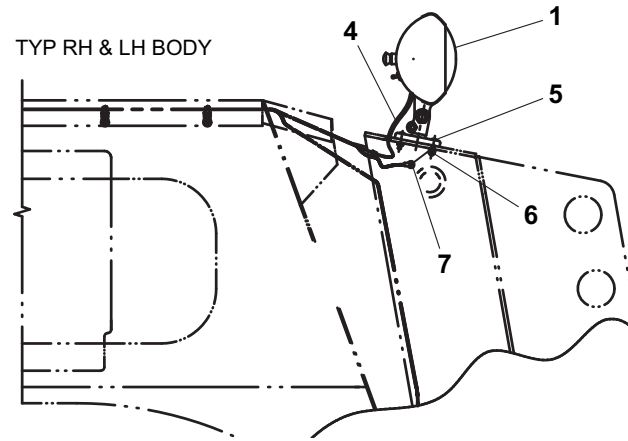
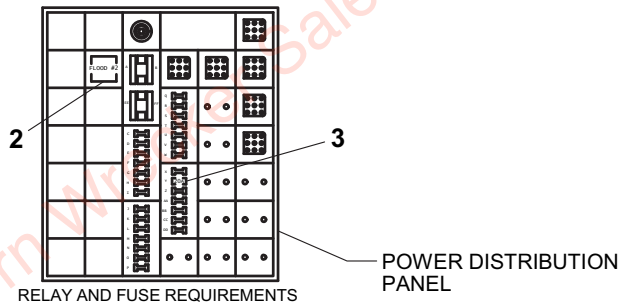
ITEM	PART NO.	DESCRIPTION	QTY
1	7590000096	Light	2
	7590000126	Light w/ Switch	
2	7740000001	Relay, 40 Amp	1
3	7457000012	Fuse, 20 Amp	1
4	8597650002	Wire Loom	1Ft
5	7120000028	Screw, #10-30NF x 1.00"	8
6	7661000023	Lockwasher, #10-32NF ID	10
7	7345211702	Electrical Terminal	2

Eastern Wrecker Sales, Inc. - www.easternwrecker.com - 919-553-4038

UPPER HOOK-UP LIGHTS



SECTION A - A
STANDARD UPPER HOOK-UP LIGHTS



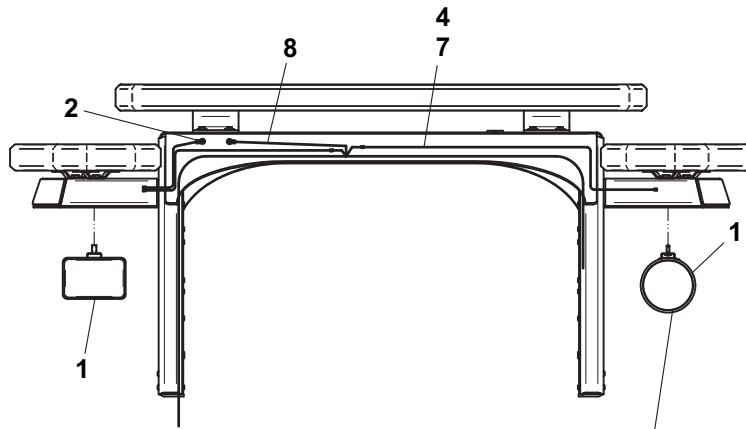
SECTION A - A
DELUXE UPPER HOOK-UP LIGHTS

UPPER WORK LIGHTS

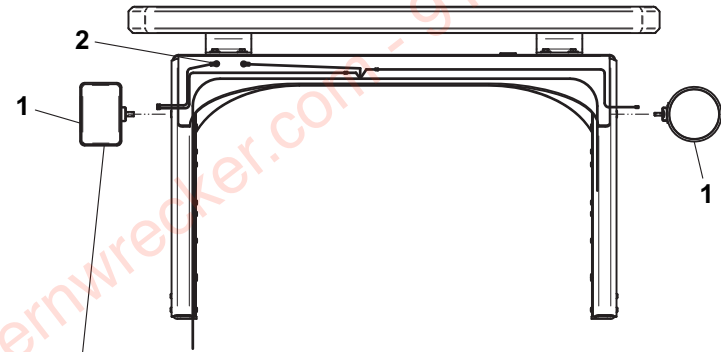
ITEM	PART NO.	DESCRIPTION	QTY
1	7590000096	Light	2
	7590000144	Light	
2	7345241902	Electrical Terminal	2
3	7346000075	Electrical Connector	1
4	8597650002	Wire Loom	12Ft
5	7457000012	Fuse, 20 Amp	1
6	7740000001	Relay, 40 Amp	1
7	7978000020	Wire, 14GA. Blue	12Ft
8	7978000021	Wire, 14GA. White	12Ft
9	5526000553	Tie Strap	5

Eastern Wrecker Sales, Inc. - www.easternwrecker.com - 919-553-4038

UPPER WORK LIGHTS



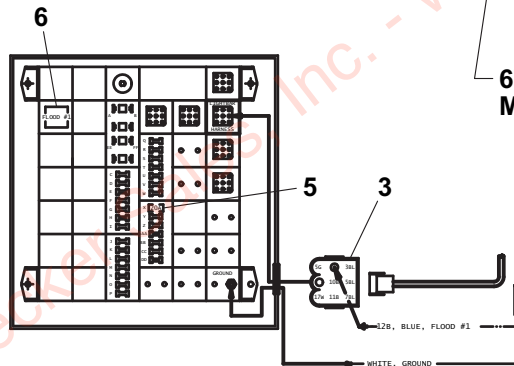
WING LIGHT MOUNTED



LIGHT PYLON MOUNTED

4"x6" HALOGEN WORK LIGHT
MTG HARDWARE INCLUDED

6" DIA WORK LIGHT
MTG HARDWARE INCLUDED



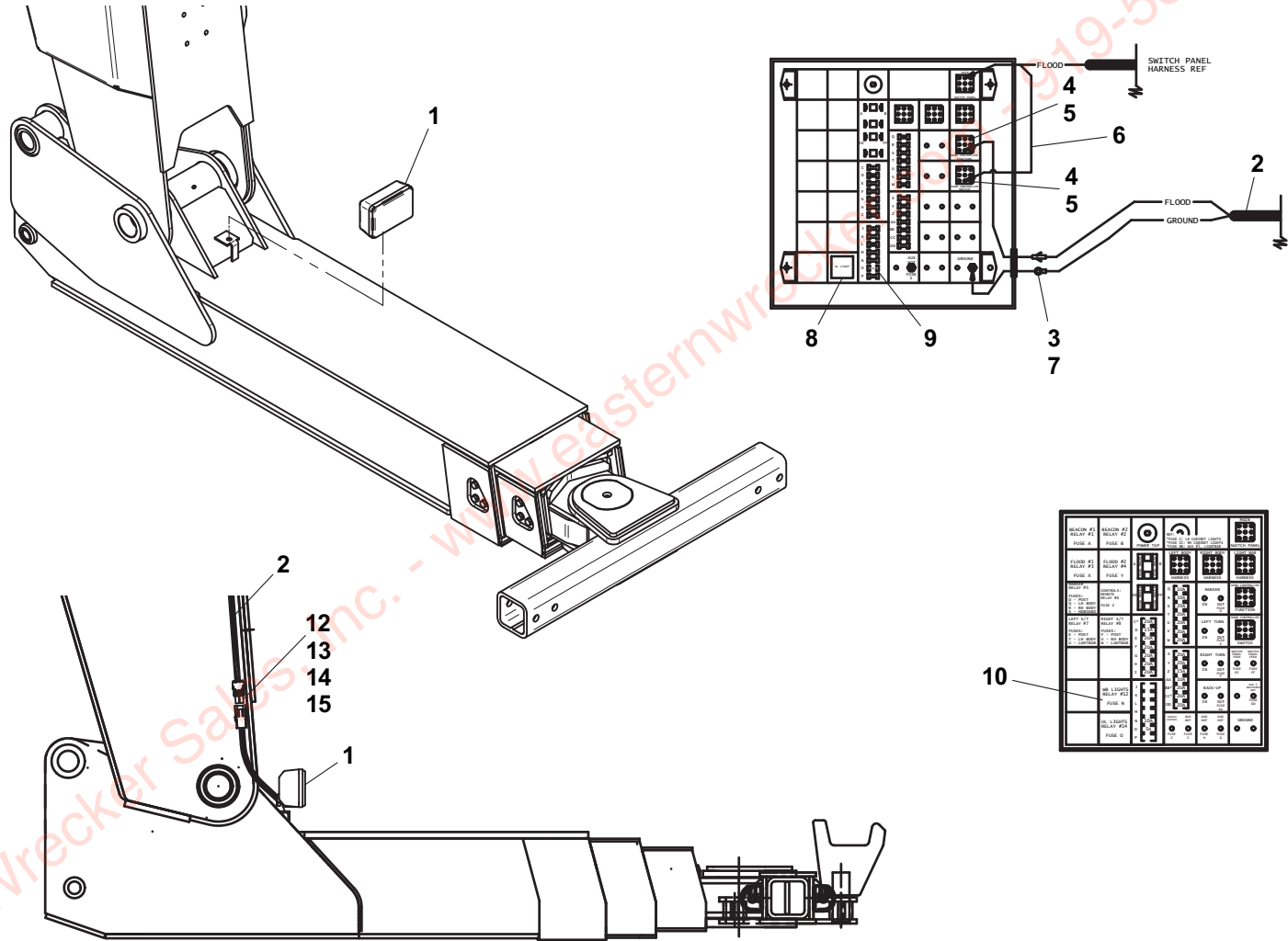
Item #9, not shown

LOWER HOOK-UP LIGHTS - UNDERLIFT MOUNTED

ITEM	PART NO.	DESCRIPTION	QTY
		JD25, JD30INT, JD35IND JD35INT	
1	7590000350	Light	1
2	7552000401	Harness	1
3	7345211702	Electrical Terminal	1
4	7346000075	Electrical Connector	2
5	7346000074	Electrical Terminal	2
6	8977010300	Wire, 16GA. White	6in
7	7346000039	Tubing, Heat Shrink	1Ft
8	7740000001	Relay, 40 Amp	1
9	7457000019	Fuse, 5 Amp	1
10	7330000715	Decal	1
11	7894000010	Tie Strap	12
12	7346000233	Electrical Connector	1
13	7346000241	Electrical Terminal	2
14	7346000037	Seal, Cable	2
15	7346000234	Lock, Sealed	1
		JD35HDULIND, JD50, JD50INT JD60	
1	7590000144	Light	1
2	7552000401	Harness	1
3	7345211702	Electrical Terminal	1
4	7346000075	Electrical Connector	2
5	7346000074	Electrical Terminal	2
6	8977010300	Wire, 16GA. White	6in
7	7346000039	Tubing, Heat Shrink	1Ft
8	7740000001	Relay, 40 Amp	1
9	7457000019	Fuse, 5 Amp	1
10	7330000715	Decal	1
11	7894000010	Tie Strap	12
12	7346000094	Electrical Connector	1
13	7346000035	Electrical Terminal	2
14	7346000119	Seal, Cable	2
15	8597650002	Wire Loom	6in

www.easternwrecker.com - 919-553-4038

LOWER HOOK-UP LIGHTS - UNDERLIFT MOUNTED



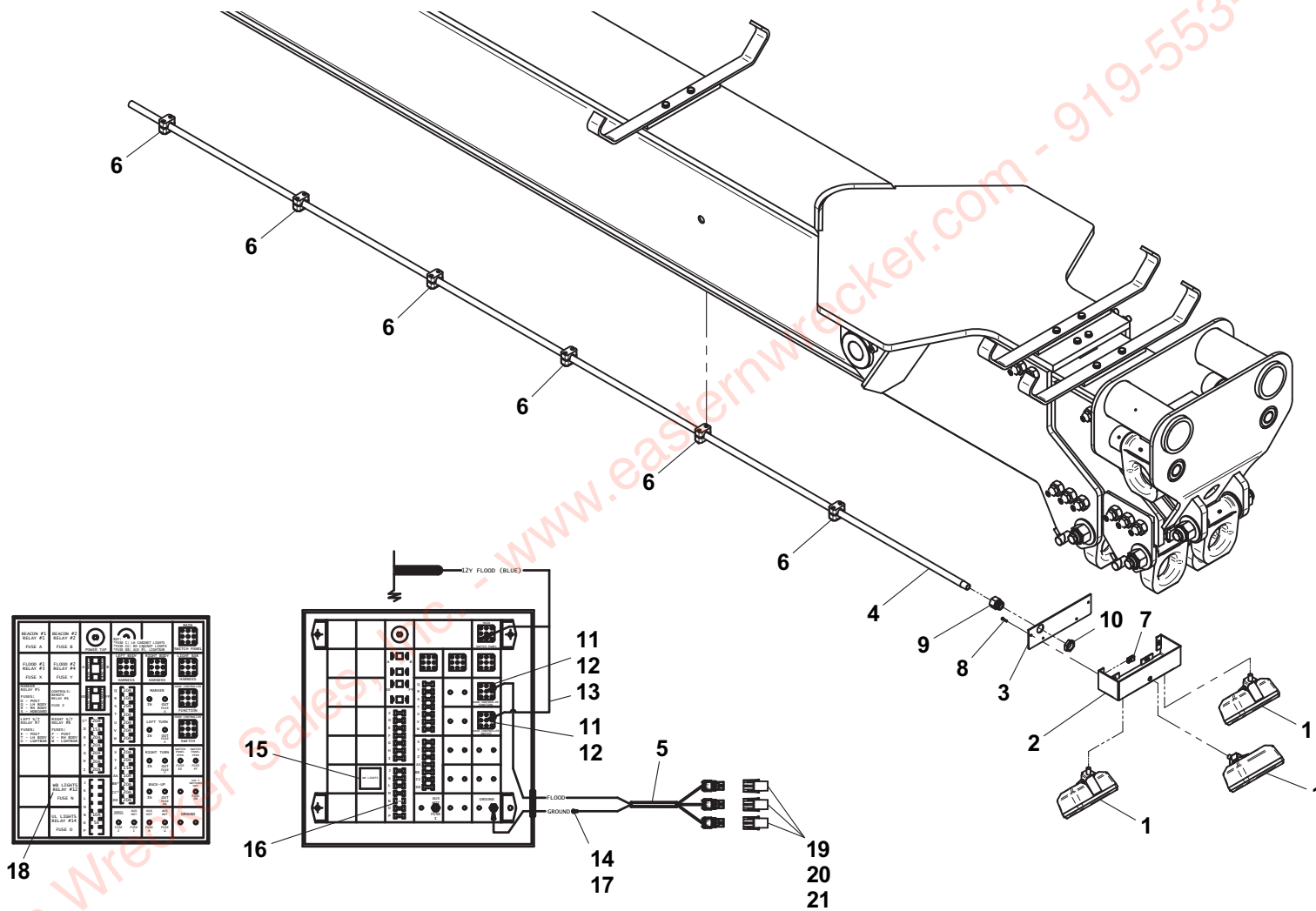
Item #11, not shown

UPPER WORK LIGHTS - WRECKER BOOM MOUNTED

ITEM	PART NO.	DESCRIPTION	QTY
1	7590000144	Light	3
2	3178000501	Bracket	1
3	4314000152	Coverplate	1
4	4695000026	Pipe	1
5	7552000303	Harness	1
6	7274000095	Clamp	6
7	7661000024	U-Nut, #10-24NC	4
8	7114100618	Capscrew, #10-24NC x 0.75"	4
9	7443000399	Fitting	1
10	7443000400	Nut, Fitting	1
11	7346000075	Electrical Connector	2
12	7346000074	Electrical Terminal	2
13	8977010300	Wire, 16GA. White	6in
14	7346000039	Tubing, Heat Shrink	1Ft
15	7740000001	Relay, 40 Amp	1
16	7457000006	Fuse, 15 Amp	1
17	7345211702	Electrical Terminal	1
18	7330000715	Decal	1
19	7346000094	Electrical Connector	3
20	7346000035	Electrical Terminal	6
21	7346000037	Seal, Wire	6

Eastern Wrecker Sales, Inc. - www.easternwrecker.com - 919-553-4038

UPPER WORK LIGHTS - WRECKER BOOM MOUNTED

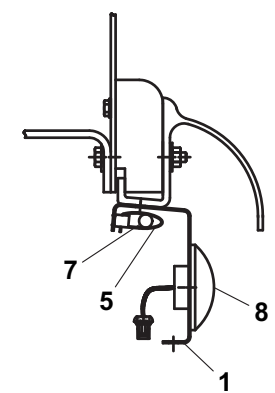
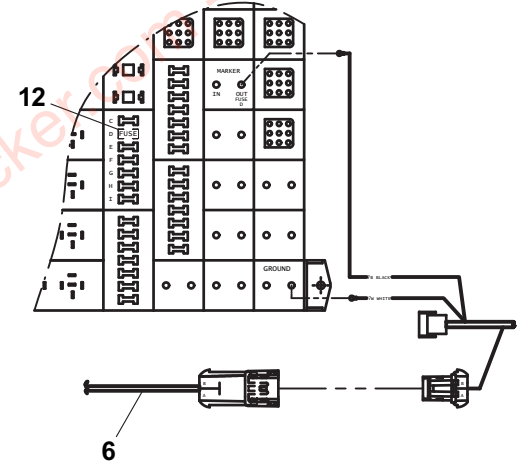
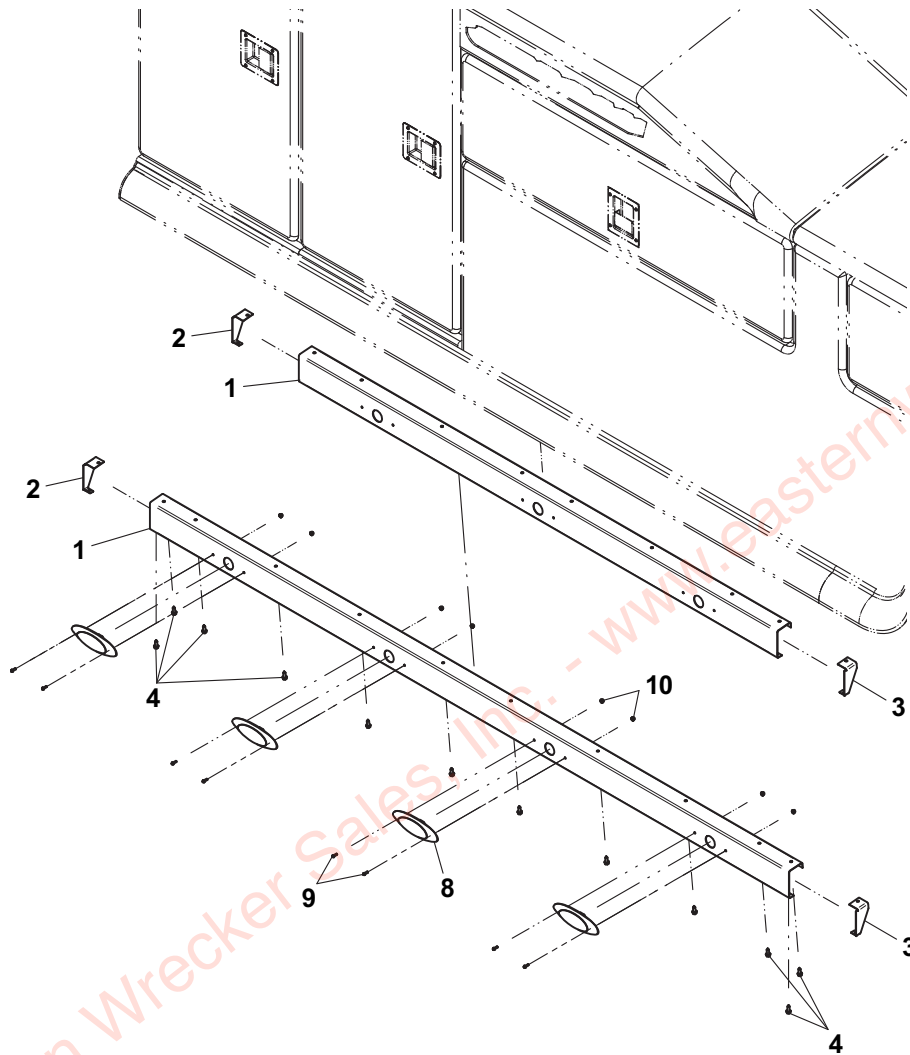


UNDER BODY MARKER LIGHTS - 112" CA BASE, 146" CT BASE & 170" CT BASE BODIES

ITEM	PART NO.	DESCRIPTION	QTY
		112" CA Base, 146" CT Base Bodies	
1	4811000673	Sheet - 73"	2
2	4706003236	Plate - LH	2
3	4706003237	Plate - RH	2
4	7790141251	Screw, Self Tapping - 0.25" Dia x 0.75"	20
5	7894000042	Tie Strap	18
6	7552000246	Harness	2
7	7552000244	Harness	2
8	7590000265	Light, Oval Amber Halogen	6
	7590000262	Light, Oval Amber LED	
	7590000358	Light, Oval Clear LED	
9	7114080418	Capscrew, #8-32NC x 0.50"	12
10	7660082500	Locknut, #8-32NC	12
11	7346000030	Tubing, Heat Shrink	2
12	7457000011	Fuse, 10 Amp	1
		170" CT Base Body	
1	4811001080	Sheet - 96"	2
2	4706003236	Plate - LH	2
3	4706003237	Plate - RH	2
4	7790141251	Screw, Self Tapping - 0.25" Dia x 0.75"	24
5	7894000042	Tie Strap	20
6	7552000246	Harness	2
7	7552000244	Harness	4
8	7590000265	Light, Oval Amber Halogen	8
	7590000262	Light, Oval Amber LED	
	7590000358	Light, Oval Clear LED	
9	7114080418	Capscrew, #8-32NC x 0.50"	16
10	7660082500	Locknut, #8-32NC	16
11	7346000030	Tubing, Heat Shrink	2
12	7457000011	Fuse, 10 Amp	1

www.easternwrecker.com - 919-553-4038

UNDER BODY MARKER LIGHTS - 112" CA BASE, 146" CT BASE & 170" CT BASE BODIES

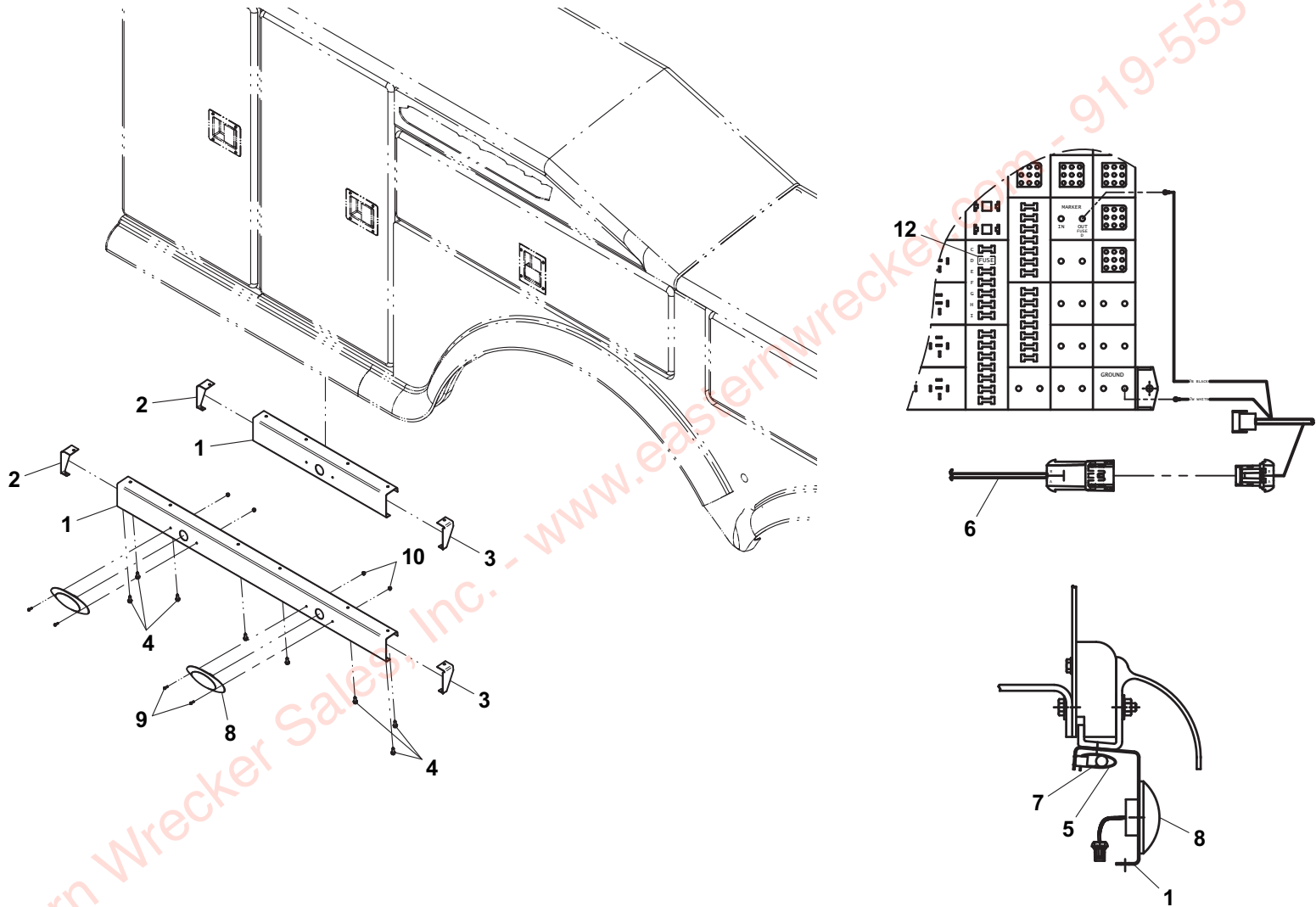


Item #11, not shown

UNDER BODY MARKER LIGHTS - 86" CT BASE, 110" CT BASE, 146" TRI & 170" TRI BASE BODIES

ITEM	PART NO.	DESCRIPTION	QTY
86" CT Base, 146" TRI Base Bodies			
1	4811000670	Sheet - 24"	2
2	4706003236	Plate - LH	2
3	4706003237	Plate - RH	2
4	7790141251	Screw, Self Tapping - 0.25" Dia x 0.75"	12
5	7894000042	Tie Strap	10
6	7552000246	Harness	2
7	7552000244	Harness	2
8	7590000265	Light, Oval Amber Halogen	2
	7590000262	Light, Oval Amber LED	
	7590000358	Light, Oval Clear LED	
9	7114080418	Capscrew, #8-32NC x 0.50"	4
10	7660082500	Locknut, #8-32NC	4
11	7346000030	Tubing, Heat Shrink	2
12	7457000011	Fuse, 10 Amp	1
110" CT Base, 174" TRI Base Bodies			
1	4811000672	Sheet - 48"	2
2	4706003236	Plate - LH	2
3	4706003237	Plate - RH	2
4	7790141251	Screw, Self Tapping - 0.25" Dia x 0.75"	16
5	7894000042	Tie Strap	14
6	7552000246	Harness	2
7	7552000244	Harness	4
8	7590000265	Light, Oval Amber Halogen	4
	7590000262	Light, Oval Amber LED	
	7590000358	Light, Oval Clear LED	
9	7114080418	Capscrew, #8-32NC x 0.50"	8
10	7660082500	Locknut, #8-32NC	8
11	7346000030	Tubing, Heat Shrink	2
12	7457000011	Fuse, 10 Amp	1

UNDER BODY MARKER LIGHTS - 86" CT BASE, 110" CT BASE, 146" TRI & 170" TRI BASE BODIES

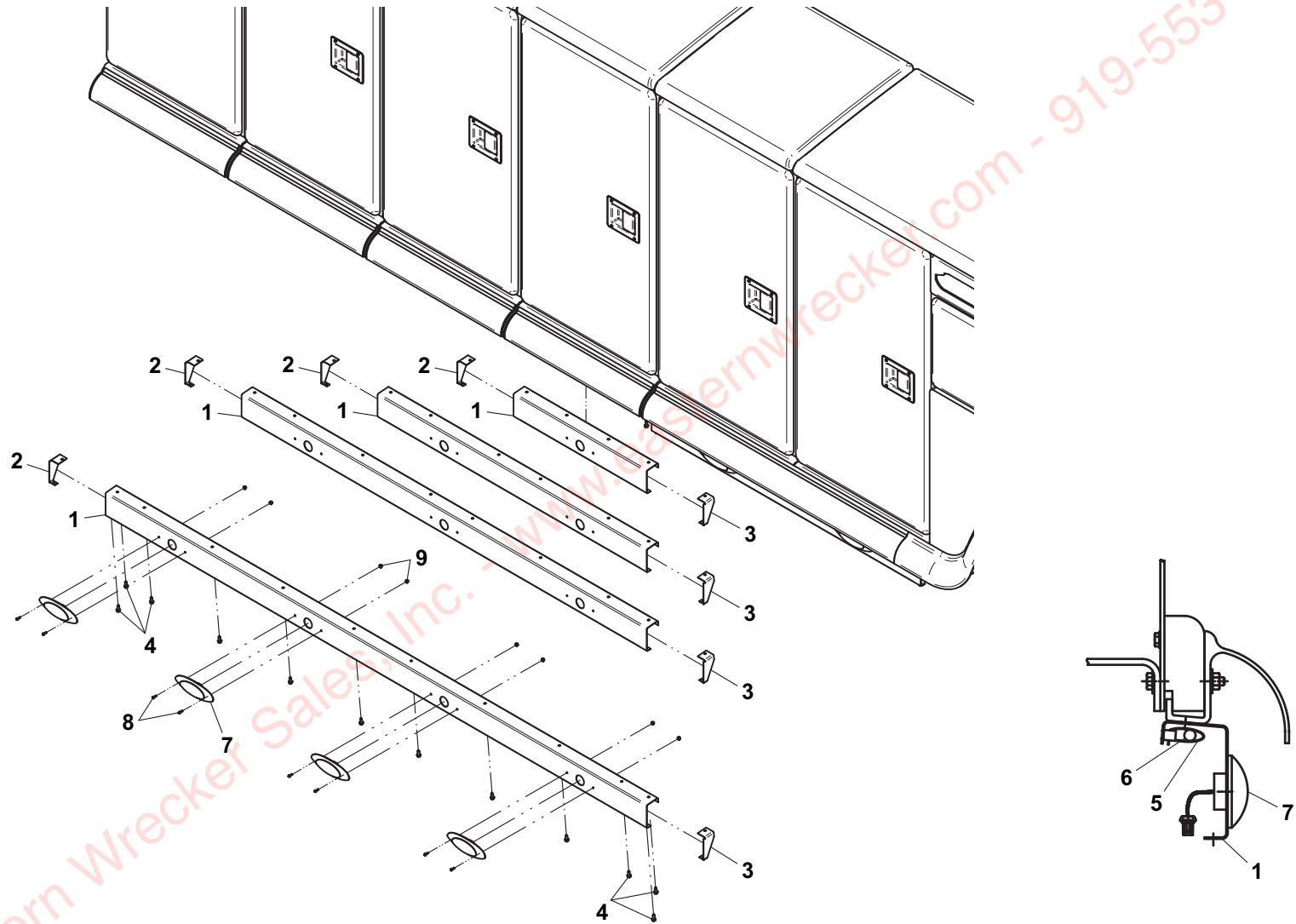


Item #11, not shown

UNDER TOOL COMPARTMENT MARKER LIGHTS

ITEM	PART NO.	DESCRIPTION	QTY	ITEM	PART NO.	DESCRIPTION	QTY
1 Tool Compartment - 24"				3 Tool Compartments - 72"			
1	4811000670	Sheet - 24"	2	1	4811000673	Sheet - 72"	2
2	4706003236	Plate - LH	2	2	4706003236	Plate - LH	2
3	4706003237	Plate - RH	2	3	4706003237	Plate - RH	2
4	7790141251	Screw, Self Tapping - 0.25" Dia x 0.75"	12	4	7790141251	Screw, Self Tapping - 0.25" Dia x 0.75"	20
5	7894000042	Tie Strap	10	5	7894000042	Tie Strap	18
6	7552000244	Harness	2	6	7552000244	Harness	2
7	7590000265	Light, Oval Amber Halogen	2	7	7590000265	Light, Oval Amber Halogen	6
	7590000262	Light, Oval Amber LED			7590000262	Light, Oval Amber LED	
	7590000358	Light, Oval Clear LED			7590000358	Light, Oval Clear LED	
8	7114080418	Capscrew, #8-32NC x 0.50"	4	8	7114080418	Capscrew, #8-32NC x 0.50"	12
9	7660082500	Locknut, #8-32NC	4	9	7660082500	Locknut, #8-32NC	12
10	7346000030	Tubing, Heat Shrink	2	10	7346000030	Tubing, Heat Shrink	2
2 Tool Compartments - 48"				4 Tool Compartments - 96"			
1	4811000672	Sheet - 48"		1	4811001080	Sheet - 96"	2
2	4706003236	Plate - LH	2	2	4706003236	Plate - LH	2
3	4706003237	Plate - RH	2	3	4706003237	Plate - RH	2
4	7790141251	Screw, Self Tapping - 0.25" Dia x 0.75"	16	4	7790141251	Screw, Self Tapping - 0.25" Dia x 0.75"	24
5	7894000042	Tie Strap	14	5	7894000042	Tie Strap	20
6	7552000244	Harness	2	6	7552000244	Harness	2
7	7590000265	Light, Oval Amber Halogen	4	7	7590000265	Light, Oval Amber Halogen	8
	7590000262	Light, Oval Amber LED			7590000262	Light, Oval Amber LED	
	7590000358	Light, Oval Clear LED			7590000358	Light, Oval Clear LED	
8	7114080418	Capscrew, #8-32NC x 0.50"	8	8	7114080418	Capscrew, #8-32NC x 0.50"	16
9	7660082500	Locknut, #8-32NC	8	9	7660082500	Locknut, #8-32NC	16
10	7346000030	Tubing, Heat Shrink	2	10	7346000030	Tubing, Heat Shrink	2

UNDER TOOL COMPARTMENT MARKER LIGHTS



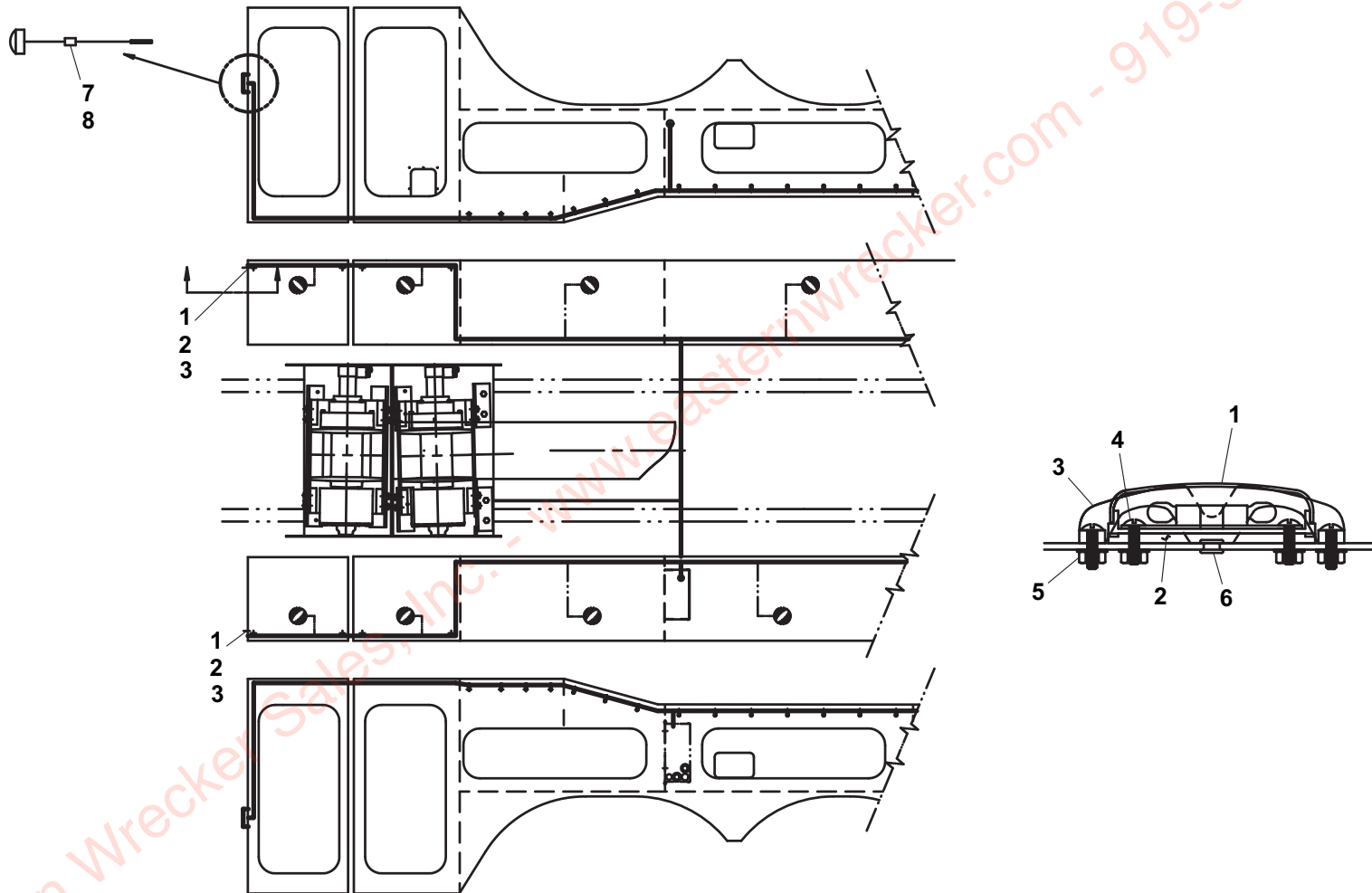
Item #10, not shown

WIDE BODY MARKER LIGHTS

ITEM	PART NO.	DESCRIPTION	QTY
1	7590000104	Light, Oval Amber	2
2	7346000076	Gasket	2
3	7346000077	Guard	2
4	7114100610	Screw, #10-24NC x 0.75"	8
5	7661000002	Locknut, #10-24NC	8
6	7493000017	Grommet	2
7	7345001704	Electrical Terminal	2
8	7346000039	Tubing, Heat Shrink	6in

Eastern Wrecker Sales, Inc. - www.easternwrecker.com - 919-553-4038

WIDE BODY MARKER LIGHTS

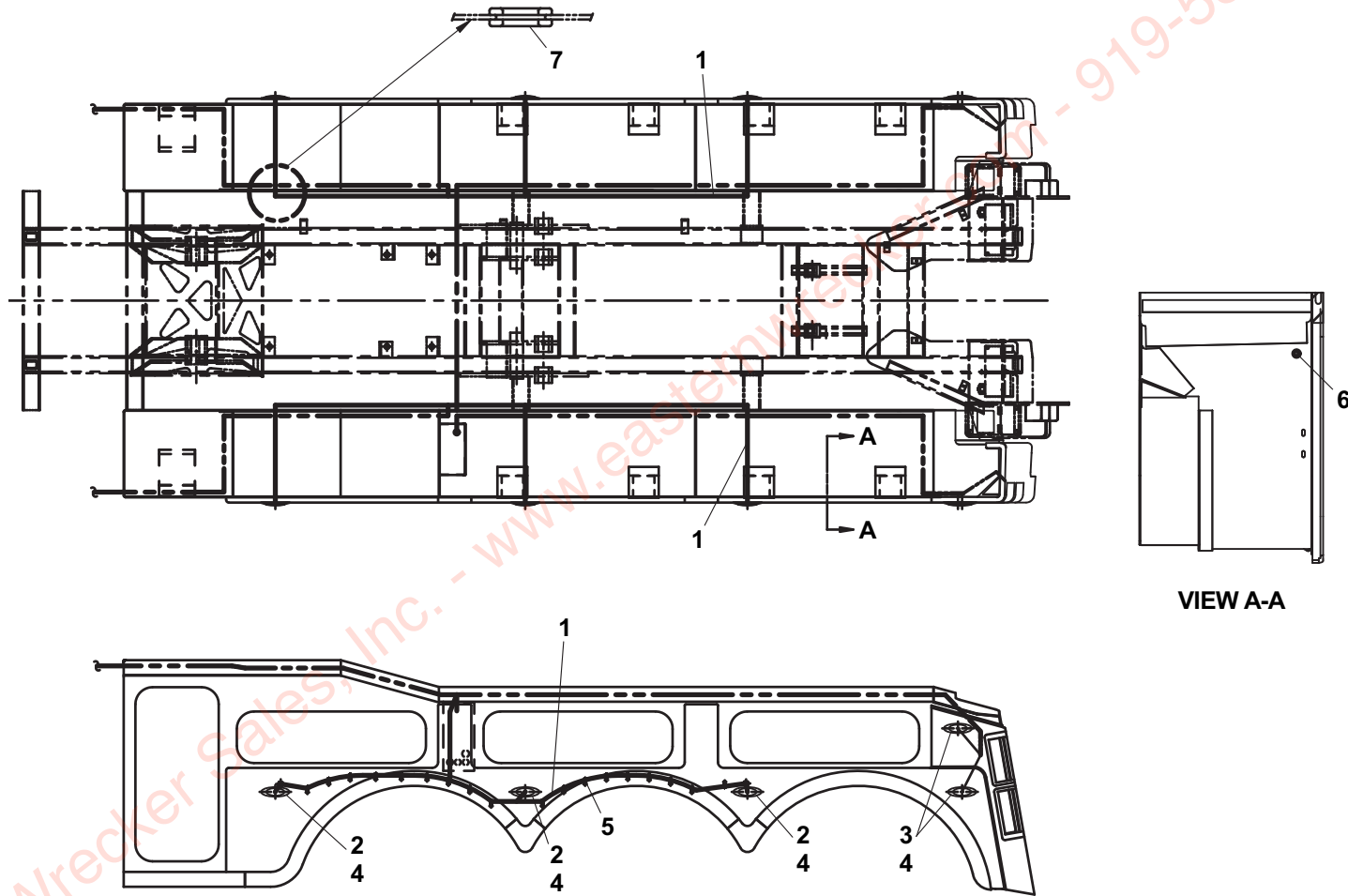


IN BODY MARKER LIGHTS

ITEM	PART NO.	DESCRIPTION	QTY
112" CA Base, 86" CT Base Bodies			
1	7552000406	Harness	2
2	7590000265	Light, Oval Amber Halogen	2
	7590000262	Light, Oval Amber LED	
	7590000358	Light, Oval Clear LED	
3	7590000295	Light, Oval Red Halogen	2
	7590000282	Light, Oval Red LED	
	7590000359	Light, Oval Clear LED	
4	7790100856	Screw, Self Tapping - #10 Dia x 0.50"	16
5	7894000042	Tie Strap	24
6	7493000021	Grommet	2
7	7493000011	Grommet	2
146" CT Base Bodies			
1	7552000406	Harness	2
2	7590000265	Light, Oval Amber Halogen	6
	7590000262	Light, Oval Amber LED	
	7590000358	Light, Oval Clear LED	
3	7590000295	Light, Oval Red Halogen	4
	7590000282	Light, Oval Red LED	
	7590000359	Light, Oval Clear LED	
4	7790100856	Screw, Self Tapping - #10 Dia x 0.50"	20
5	7894000042	Tie Strap	44
6	7493000021	Grommet	2
7	7493000011	Grommet	4

Eastern Wrecker Sales, Inc. - www.easternwrecker.com - 919-553-4038

IN BODY MARKER LIGHTS



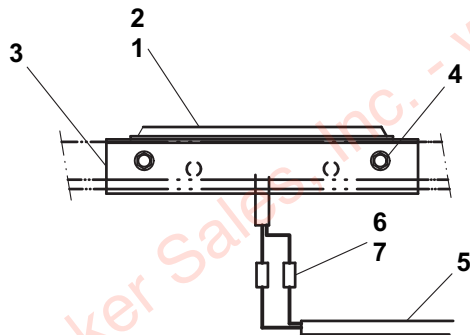
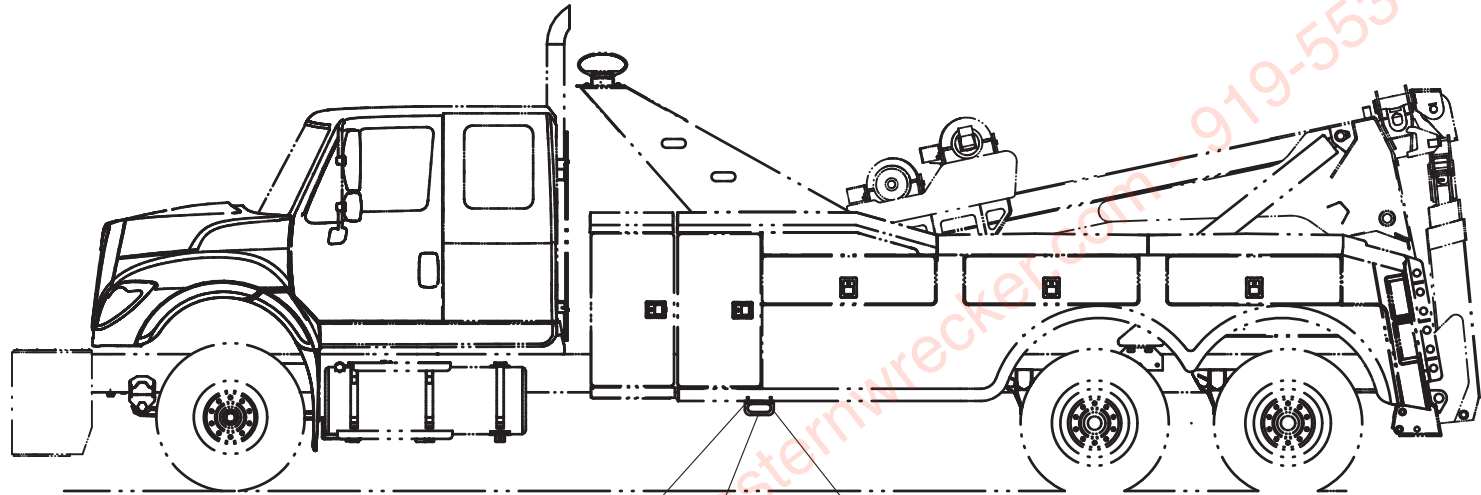
Body shown is for reference only

MID BODY MARKER LIGHTS

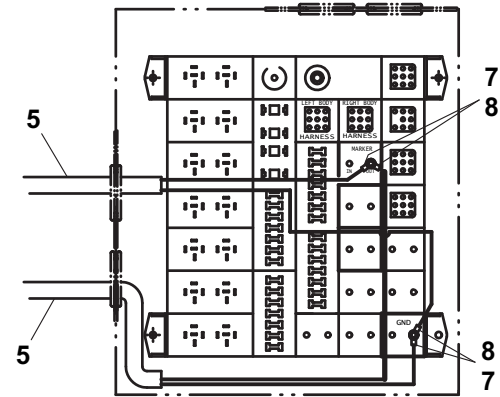
ITEM	PART NO.	DESCRIPTION	QTY
1	7590000095	Light, Oval Amber Incandescent - 12V	2
	7590000300	Light, Oval Amber led - 12V	
2	7493000028	Gromet	2
3	7178000045	Bracket	2
4	7790141651	Screw, Self Tapping - 0.25" Dia x 1.00"	4
5	8977010103	Wire, 16GA. - 2 Conductor	20ft
6	7345001704	Electrical Terminal	4
7	7346000039	Tubing, Heat Shrink	16in
8	7345211702	Electrical Terminal	4

Eastern Wrecker Sales, Inc. - www.easternwrecker.com - 919-553-4038

MID BODY MARKER LIGHTS



L H SIDE SHOWN



POWER DISTRIBUTION PANEL

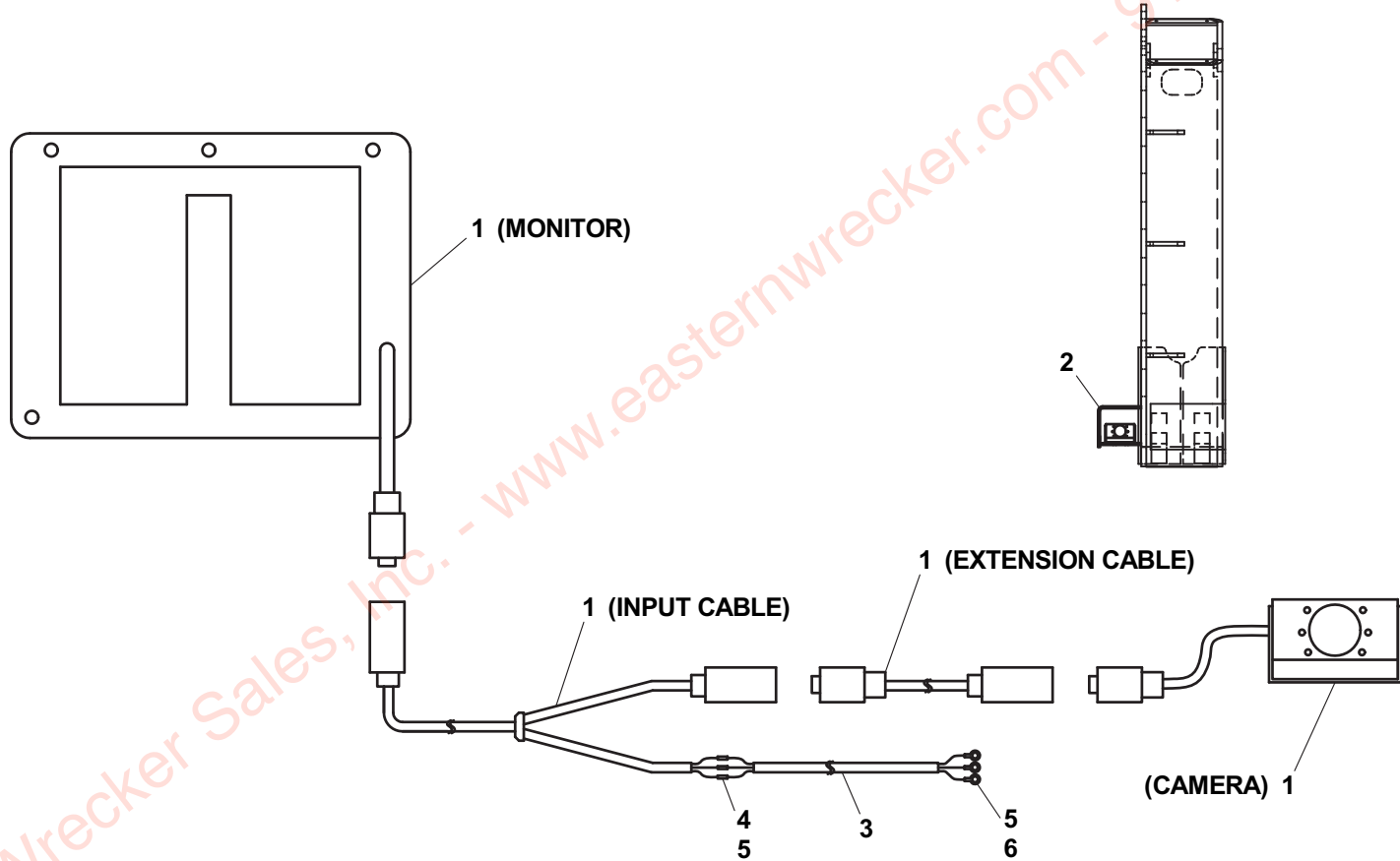
Body shown is for reference only

REAR VIEW VIDEO CAMERA KIT

ITEM	PART NO.	DESCRIPTION	QTY
1	7002000524	Video Camera Kit	1
2	3178000535	Bracket	1
3	5525000537	Wire, 16GA. - 3 Conductor	30Ft
4	7345001704	Electrical Terminal	3
5	7346000039	Tubing, Heat Shrink	1Ft
6	7345211702	Electrical Terminal	3

Eastern Wrecker Sales, Inc. - www.easternwrecker.com - 919-553-4038

REAR VIEW VIDEO CAMERA KIT

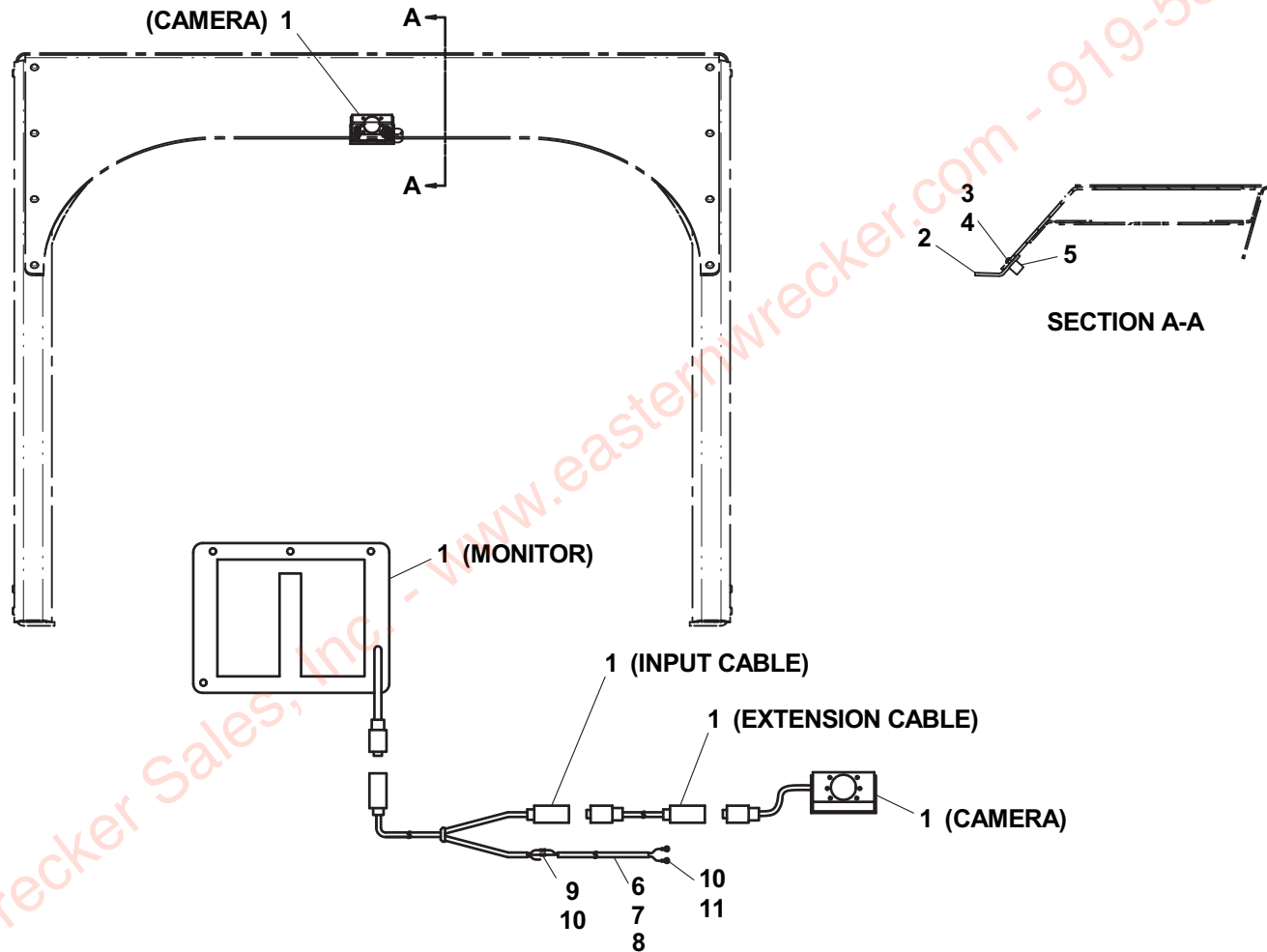


WINCH VIEW VIDEO CAMERA KIT

ITEM	PART NO.	DESCRIPTION	QTY
1	7002000524	Video Camera Kit	1
2	4178000839	Bracket	1
3	7114140818	Capscrew, 0.25"-20NC x 1.00"	2
4	7660142604	Locknut, 0.25"-20NC	2
5	7274000053	Clamp	1
6	8977010300	Wire, 16GA. White	15Ft
7	8977500100	Wire, 16GA. Black	15Ft
8	8597650002	Wire Loom	15Ft
9	7345001704	Electrical Terminal	2
10	7346000039	Tubing, Heat Shrink	1Ft
11	7345211702	Electrical Terminal	2

Eastern Wrecker Sales, Inc. - www.easternwrecker.com - 919-553-4038

WINCH VIEW VIDEO CAMERA KIT

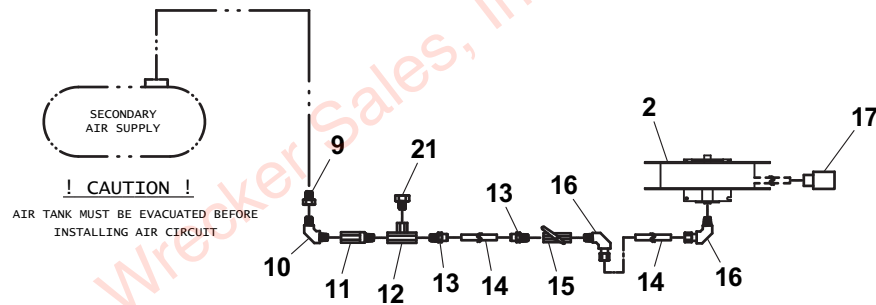
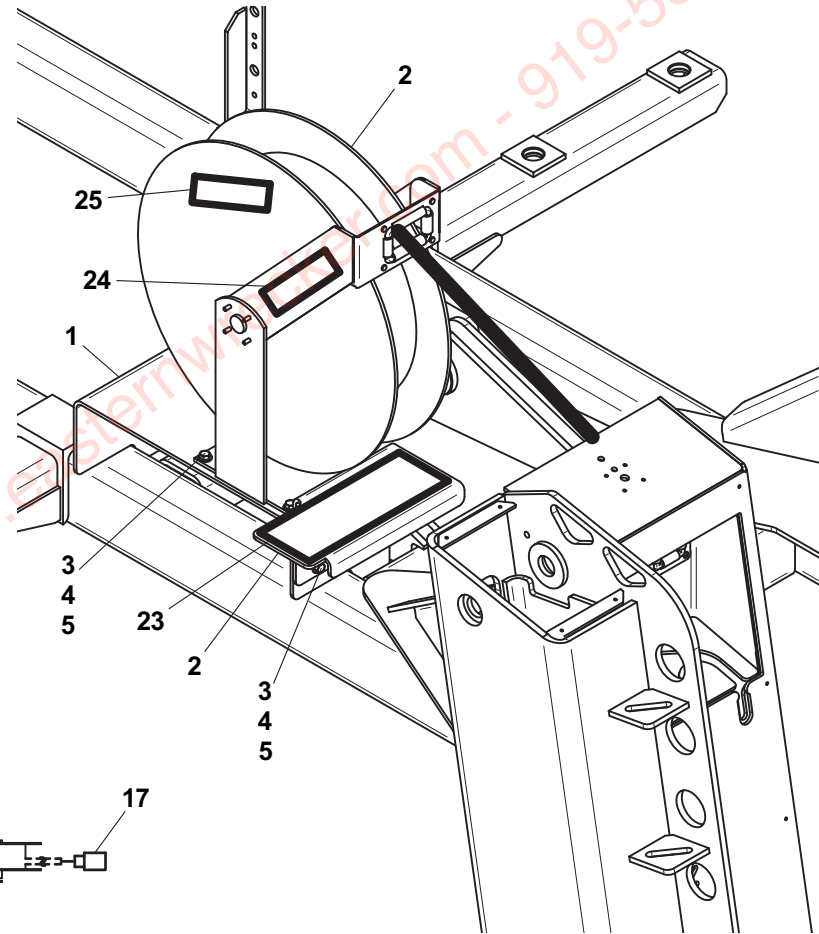
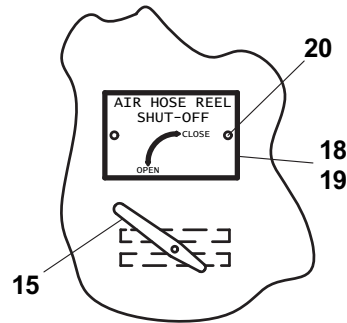
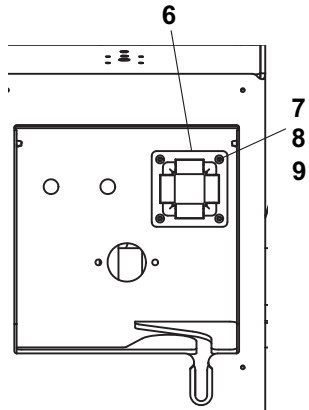


HOSE REEL INSTALLATION

ITEM	PART NO.	DESCRIPTION	QTY
1	4706005755	Plate	1
2	7732000003	Hose Reel	1
3	7118171050	Capscrew, 0.44"-14NC x 1.25"	8
4	7950170142	Flatwasher, 0.44" ID	8
5	7660172601	Locknut, 0.44"-14NC	8
6	7768000007	Roller Guide	1
7	7114140618	Capscrew, 0.25"-20NC x 0.75"	4
8	7660142604	Locknut, 0.25"-20NC	4
9	7445080801	Fitting, Adapter	1
10	7443000457	Fitting, Elbow	1
11	7935000356	Valve, Pressure Protection	1
12	7445080855	Fitting, Tee	1
13	7446100832	Fitting	2
14	7565000015	Airline, Tubing 0.63 OD	25ft
15	7935000357	Valve	1
16	7446100836	Fitting, Elbow	2
17	7312000030	Coupling, Quick-Connect	2
18	7330000724	Decal	1
19	4811001138	Sheet	1
20	7759000020	Rivet, 0.19" Dia	2
21	7444040254	Fitting, Reducer	1
22	4178000777	Bracket	1
23	7679000008	Pad	3
24	7330000733	Decal	1
25	7330000732	Decal	1

Eastern Wrecker Sales, Inc. - www.easternwrecker.com - 919-553-4038

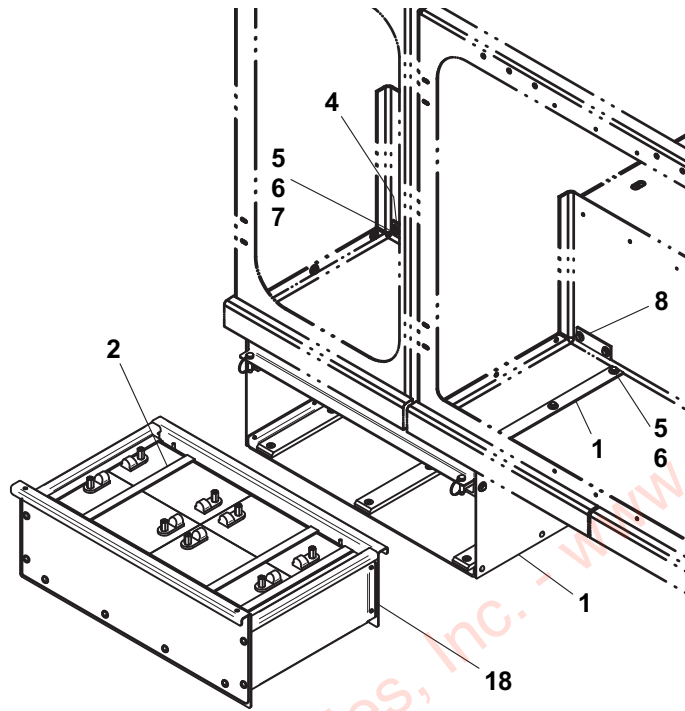
HOSE REEL INSTALLATION



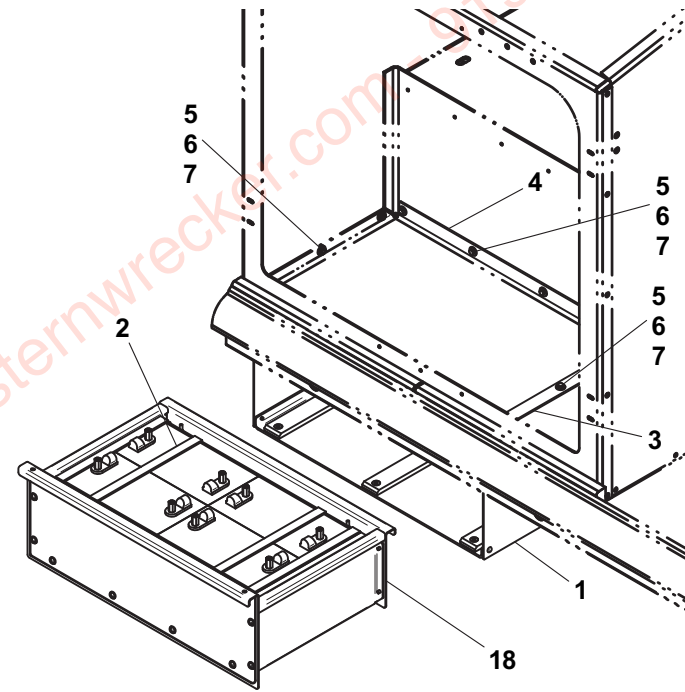
UNDER BODY BATTERY BOX

ITEM	PART NO.	DESCRIPTION	QTY	ITEM	PART NO.	DESCRIPTION	QTY
1	3175000003	Box Assembly	1	25	7950140143	Flatwasher, 0.24" ID	12
2	2178000033	Battery Tray	1	26	7950140003	Lockwasher, 0.25" ID	4
3	4062000593	Bar	1	27	7660140000	Nut, 0.25"-20NC	8
4	4062000595	Bar - 24" Tunnel Tool Compartment	1	28	7660142604	Locknut, 0.25"-20NC	4
	4062000594	Bar - 49" Tunnel Tool Compartment		29	4017001451	Angle	2
5	7115151050	Capscrew, 0.31"-18NC x 1.25" 24" Tunnel Tool Compartment	11	30	3811000038	Battery Box	1
	7115151050	Capscrew, 0.31"-18NC x 1.25" 49" Tunnel Tool Compartment	10				
6	7950150163	Flatwasher, 0.31" ID 24" Tunnel Tool Compartment	22				
	7950150163	Flatwasher, 0.31" ID 49" Tunnel Tool Compartment	20				
7	7660152604	Locknut, 0.31"-18NC 24" Tunnel Tool Compartment	11				
	7660152604	Locknut, 0.31"-18NC 49" Tunnel Tool Compartment	10				
8	4062000596	Bar	4				
9	4679000272	Pad	3				
10	8632000018	Trim	1ft				
11	7691000018	Safety Pin	2				
12	7118161026	Capscrew, 0.38"-16NC x 1.25"	9				
13	7950160163	Flatwasher, 0.38" ID	9				
14	7660162604	Locknut, 0.38"-16NC	9				
15	7114150850	Capscrew, 0.31"-18NC x 1.00"	8				
16	7950150163	Flatwasher, 0.31" ID	8				
17	7660152604	Locknut, 0.31"-18NC	8				
18	3811000039	Drawer	1				
19	4090000017	Belt	3				
20	4707000293	Plate	1				
21	8892040001	Tape, Double Face	10in				
22	3178000456	Bracket	1				
23	3178000457	Bracket	1				
24	4763000377	Rod, Threaded	4				

UNDER BODY BATTERY BOX

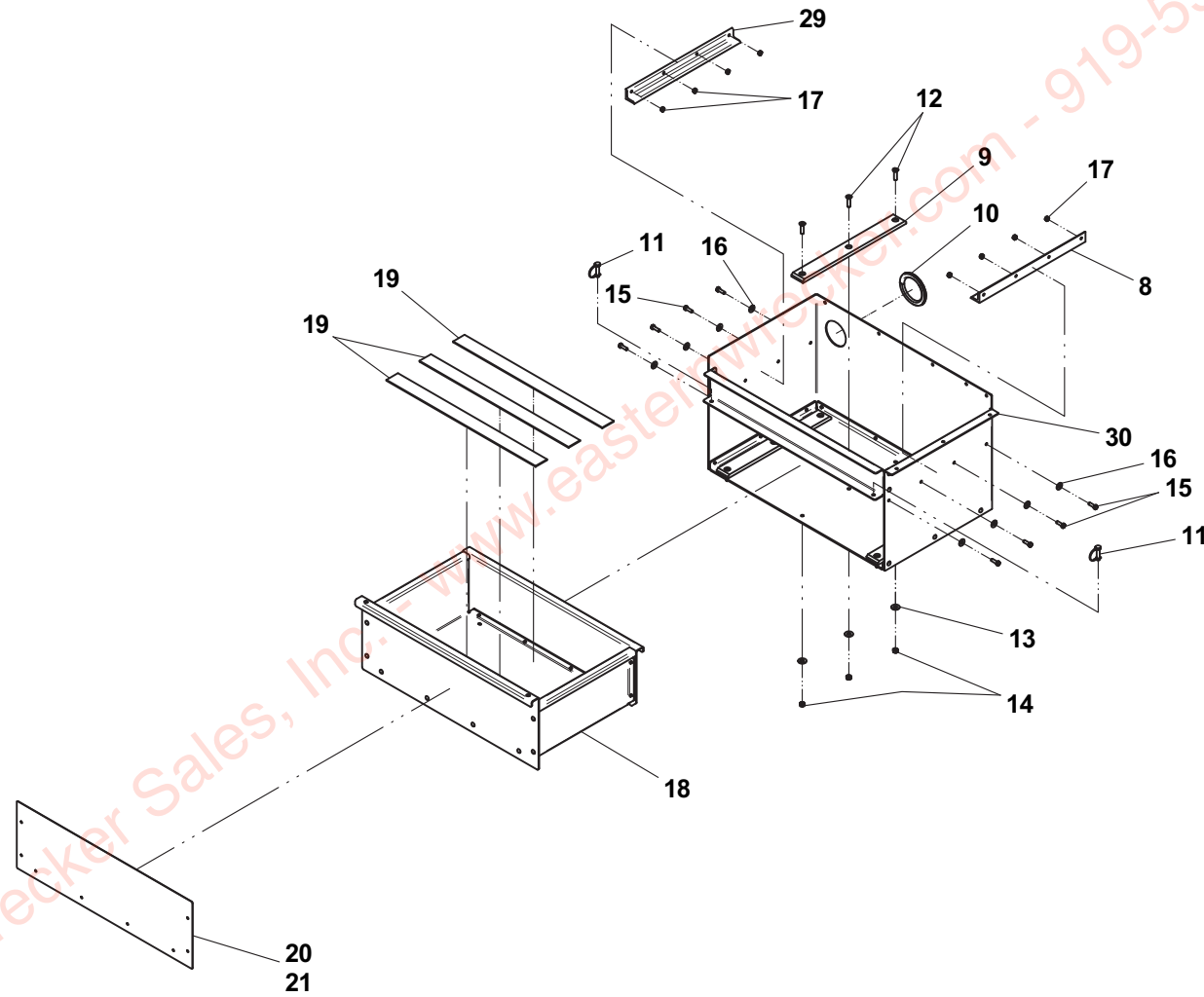


UNDER BODY BATTERY BOX MOUNTED AT
24" TUNNEL TOOLBOX



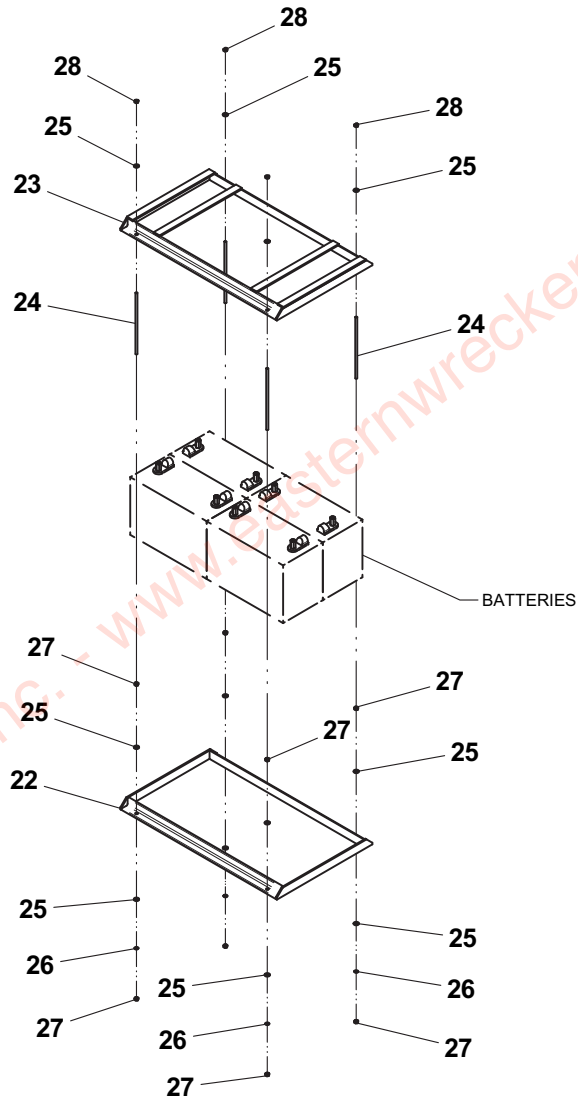
UNDER BODY BATTERY BOX MOUNTED AT
49" TUNNEL TOOLBOX

UNDER BODY BATTERY BOX



Eastern Wrecker Sales, Inc. www.easternwrecker.com - 919-553-4038

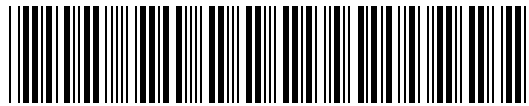
UNDER BODY BATTERY BOX



THIS PAGE INTENTIONALLY LEFT BLANK

Eastern Wrecker Sales, Inc. - www.easternwrecker.com - 919-553-4038

Eastern Wrecker Sales, Inc. - www.easternwrecker.com - 919-553-4038



5376000142-0