

JD30INT HEAVY DUTY WRECKER

PARTS MANUAL

JERR-DAN[®]

An Oshkosh Corporation Company

13224 Fountainhead Plaza
Hagerstown, MD 21742
Phone (717) 597-7111
www.jerr-dan.com

5-376-000157
Rev 0 - June 01, 2012

© 2012 Jerr-Dan Corporation. All Rights Reserved.

This manual covers the following Jerr-Dan Models:

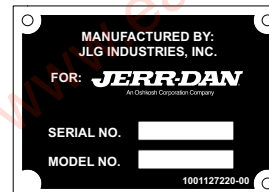
JD30INT - 30 Ton Integrated

Jerr-Dan Corporation strives to provide information that is accurate, complete and useful. Descriptions and illustrative material contained within this manual are as accurate as known at the time of publication and are subject to change, without notice, as a result of continuous product improvements. Jerr-Dan reserves the right to amend the information in this document at any time without prior notice.

Information contained in this manual reflects how this vehicle was built at the factory. Modifications or additions by the distributor or owner are not reflected in this manual.

This parts manual does not include service parts information for the commercial chassis (IHC, Ford, GM, etc.). That information is provided by the chassis manufacturer.

When ordering parts, please refer to your unit's Serial Number and Model Number. This information is be found on the aluminum tag riveted to the inside of the driver's side rear compartment of the main body.



Additional or replacement manuals can be ordered by calling Jerr-Dan Parts at 717-597-7111. Price and availability will be quoted at time of the request.

Please report comments and/or errors by contacting Jerr-Dan Corporation's Technical Publications Department by e-mail at technicalpublications@jerr-dan.com or by FAX on 717-485-7162.

Manufactured under one or more of the following patents: 5,575,606; 5,672,042; 5,697,741; 5,713,714; 5,722,810; 5,782,596; 5,839,775 and 6,315,515 B1 with other Patents Pending.

Jerr-Dan and the Jerr-Dan logo are registered trademarks and Run Hard is a service mark of Jerr-Dan Corporation, Greencastle, PA USA.

The material in this document is confidential and the property of Jerr-Dan Corporation. No part of this document may be photocopied, reproduced or translated to another language without the express written consent of Jerr-Dan Corporation.

THIS PAGE INTENTIONALLY LEFT BLANK

Eastern Wrecker Sales, Inc. - www.easternwrecker.com - 919-553-4038

INDEX

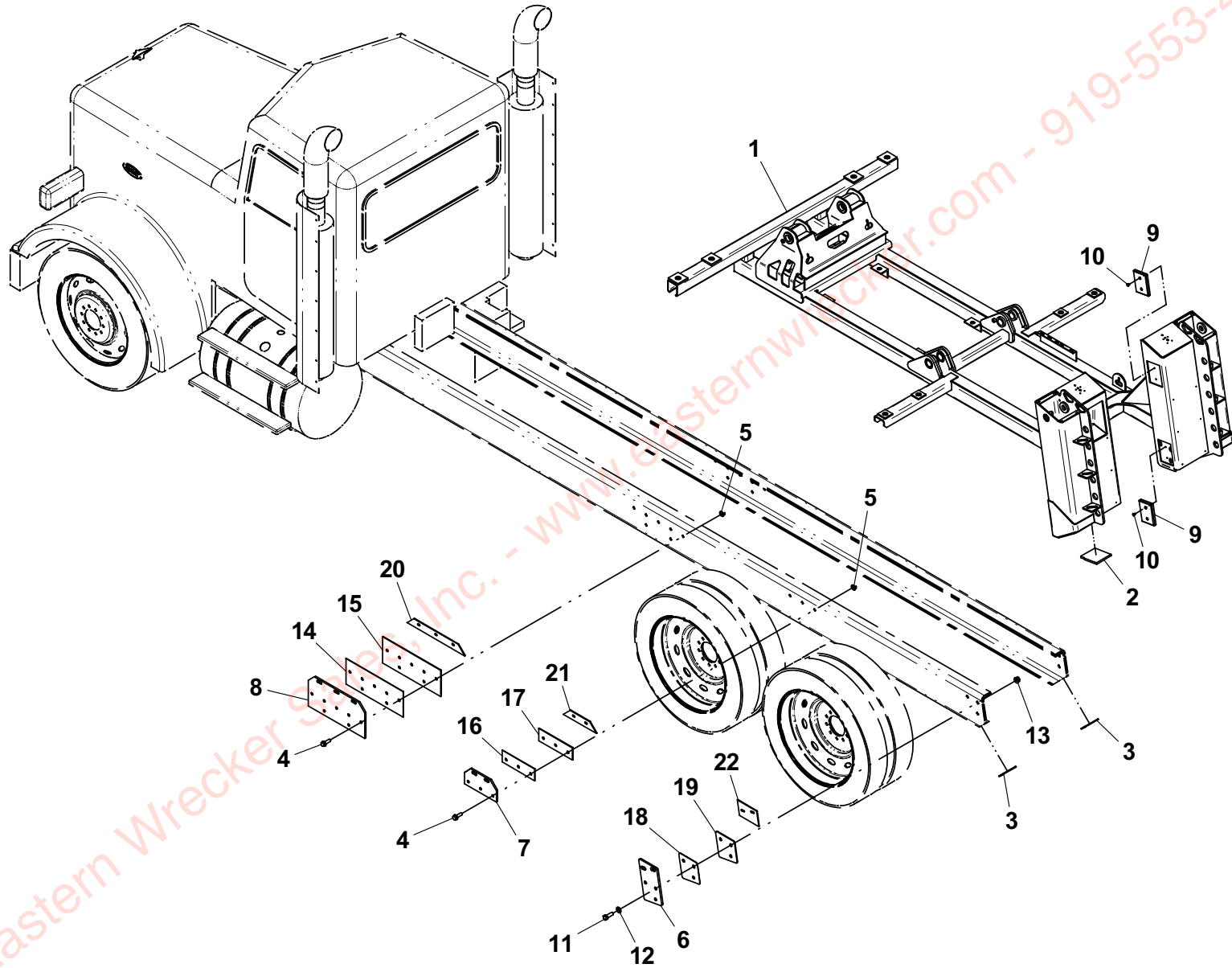
DESCRIPTION	PAGE
Subframe Installation (112" CA / 86" CT Body)	6 - 7
Subframe Installation (146" Body)	8 - 9
Subframe Hydraulic Tubing	10 - 11
Hydraulic Tank Installation	12 - 13
Hydraulic Tank Assembly	14 - 15
Rear Spade Installation	16 - 17
Boom Installation - 2 Piece Boom	18 - 19
Wrecker Boom Assembly - 2 Piece Boom	20 - 21
Winch Installation - 25K & 35K DP Planetary Winches	22 - 23
Boom Tube Assembly	24 - 25
Underlift Installation	26 - 27
Underlift Assembly - 53,000 LB (Standard)	28 - 29
Underlift Assembly - Extended (+6.00)	30 - 31
Crosstube Installation	32 - 33
Underlift Tools - Frame Forks	34 - 35
Underlift Tools - 14,000 LB Tire Lift	36 - 37
Underlift Tools - 25,000 LB Tire Lift	38 - 39
Underlift Tools - Fifth Wheel Attachment	40 - 41
Underlift Tools - Pintle Hook	42 - 43
Rear Tail Plate Installation	44 - 45
Controls - Control Valve Installation	46 - 47
Controls - Push-Pull Cables Installation	48 - 49
Controls - Control Valve Assembly	50 - 51
Controls - 6 Function Non-Proportional Miratron	52 - 53
Controls - 12 Function Non-Proportional Miratron	54 - 55
Controls - 12 Function Proportional Miratron	56 - 57
Controls - Electrical Emergency Stop	58 - 59
Hydraulics - Supply-Pressure-Return	60 - 61
Hydraulics - Lines and Fittings	62 - 65
Driver Side Hydraulic Pressure Gauges	66 - 67
Driver & Passenger Side Winch Air Controls - DP 25K & 35K	68 - 71
Winch Electric Speed Controls - DP 25K & 35K	72 - 75
Decals	76 - 77

SUBFRAME INSTALLATION - 112" CA / 86"CT BODY

ITEM	PART NO.	DESCRIPTION	QTY
1	3868000225	Subframe	1
2	4706002557	Plate	2
3	4062000324	Bar	2
4	7118221816	Capscrew, 0.75"-10NC x 2.25"	20
5	7660222308	Locknut, 0.75"-10NC	20
6	4706002554	Plate	2
7	4706002490	Plate	2
8	4706002961	Plate	2
9	4679000127	Pad	4
10	7115160623	Capscrew, 0.38"-16NC x 0.75" LG	8
11	7118242050	Capscrew, 0.88"-9NC x 2.50"	6
12	7949000061	Washer 0.88" ID	6
13	7660242308	Locknut, 0.88"-9NC	6
14	4706002492*	Plate	2
15	4706002493*	Plate	2
16	4706001773*	Plate	2
17	4706001776*	Plate	2
18	4706002141*	Plate	2
19	4706002142*	Plate	2
20	4706002163*	Plate	2
21	4706002555*	Plate	2
22	4706002556*	Plate	2

* Also Available In Shim Kit - 3577000036

SUBFRAME INSTALLATION - 112" CA / 86"CT BODY

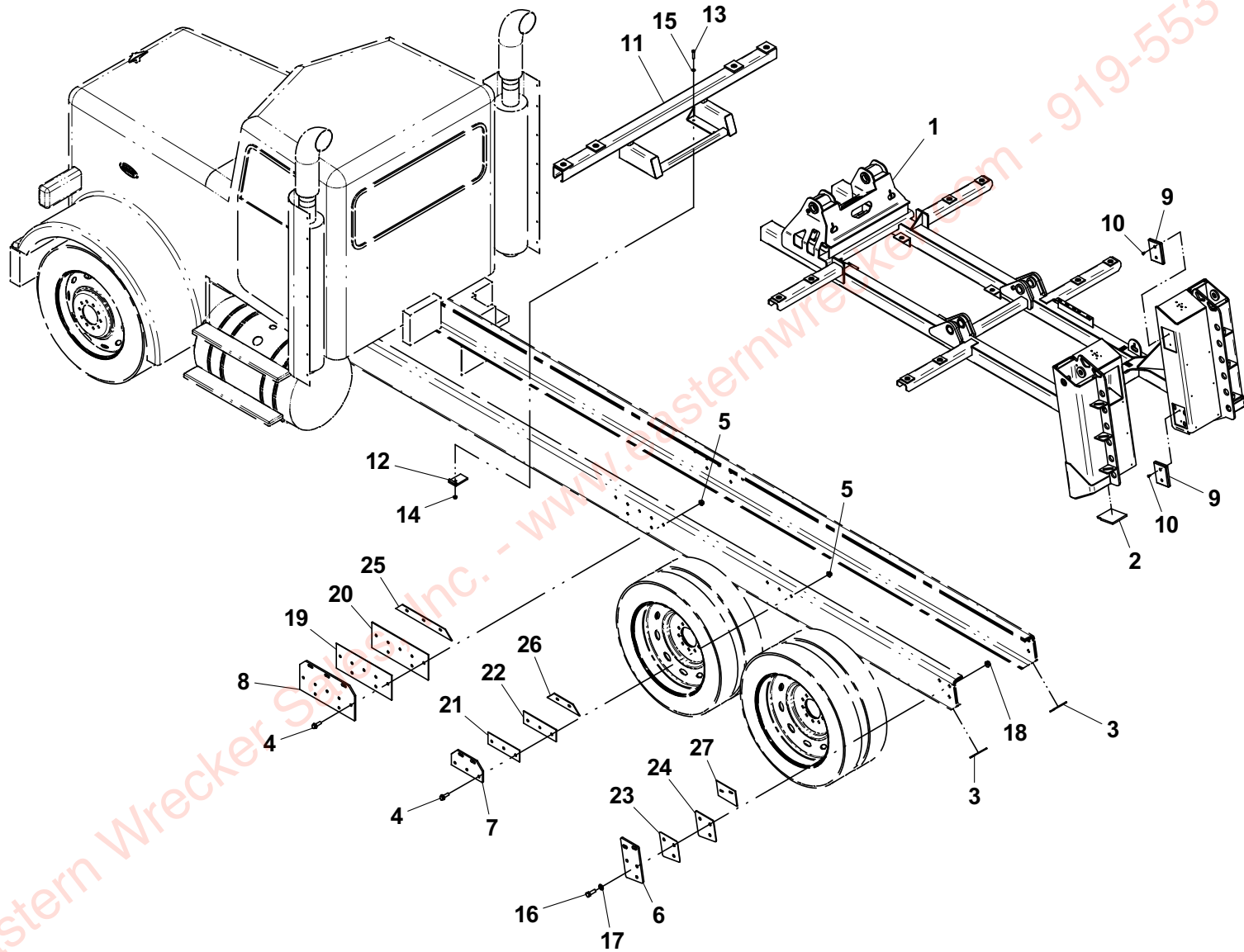


SUBFRAME INSTALLATION - 146" BODY

ITEM	PART NO.	DESCRIPTION	QTY
1	3868000262	Subframe	1
2	4706002557	Plate	2
3	4062000324	Bar	2
4	7118221816	Capscrew, 0.75"-10NC x 2.25"	24
5	7660222308	Locknut, 0.75"-10NC	24
6	4706002554	Plate	2
7	4706002490	Plate	2
8	4706002961	Plate	2
9	4679000127	Pad	4
10	7115160623	Capscrew, 0.38"-16NC x 0.75"	8
11	3868000157	Subframe, Stand Alone	1
12	3274000011	Toolbox Clamp Weldment	4
13	7115182050	Capscrew, 0.50"-13NC x 2.50"	4
14	7660182301	Locknut, 0.50"-13NC	4
15	7950180252	Flatwasher 0.50" ID	4
16	7118242050	Capscrew, 0.88"-9NC x 2.50"	6
17	7949000061	Washer, 0.88" ID	6
18	7660242308	Locknut, 0.88"-9NC	6
19	4706002492*	Plate	2
20	4706002493*	Plate	2
21	4706001773*	Plate	2
22	4706001776*	Plate	2
23	4706002141*	Plate	2
24	4706002142*	Plate	2
25	4706002163*	Plate	2
26	4706002555*	Plate	2
27	4706002556*	Plate	2

* Also Available In Shim Kit - 3577000036

SUBFRAME INSTALLATION - 146" BODY

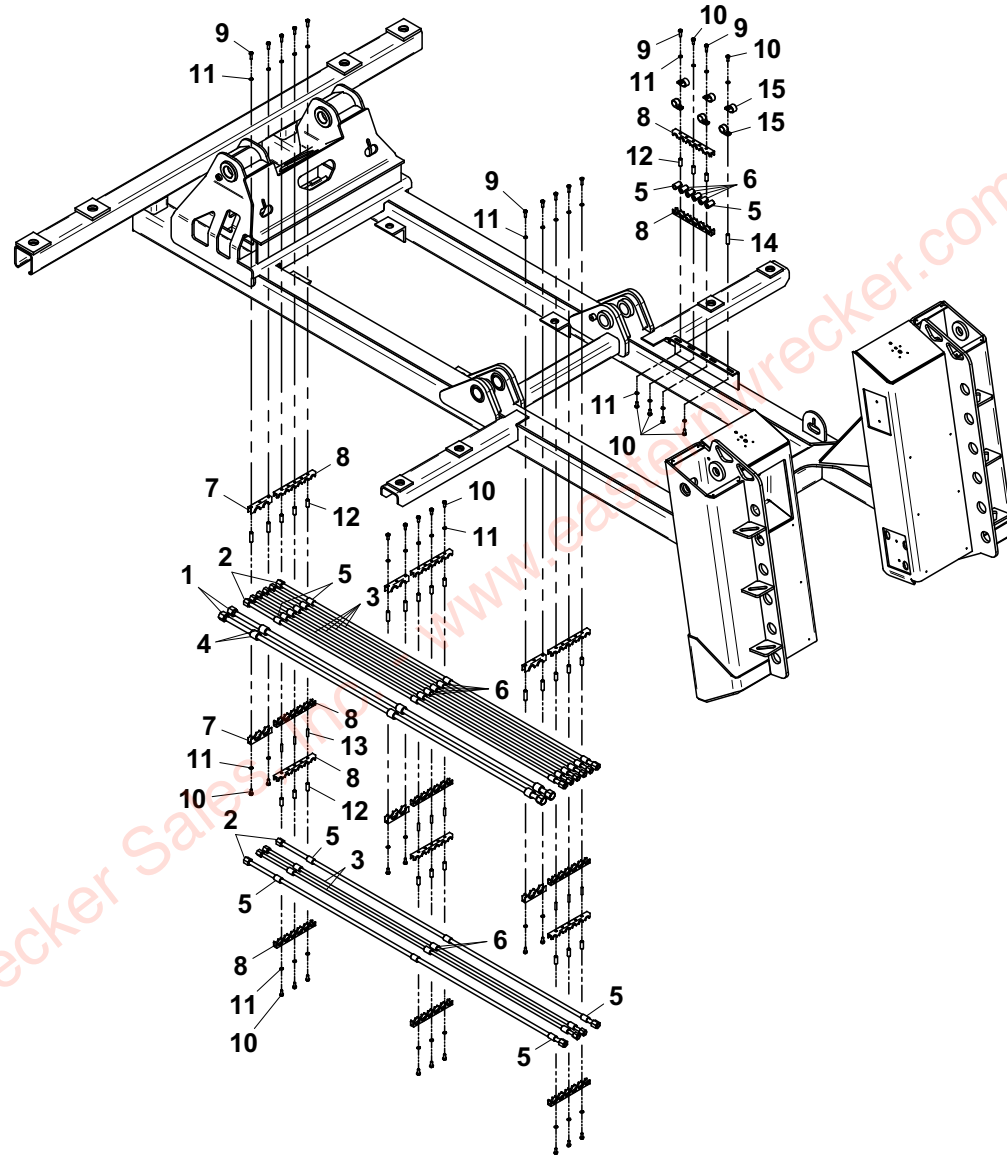


SUBFRAME HYDRAULIC TUBING

ITEM	PART NO.	DESCRIPTION	QTY
1	7912000109	Tube Assembly	2
2	7912000036	Tube Assembly	4
3	7912000035	Tube Assembly	6
4	7209000032	Bushing	6
5	7209000024	Bushing	14
6	7209000023	Bushing	22
7	7274000049	Clamp	6
8	7274000030	Clamping Unit	14
9	7115150850	Capscrew, 0.31"-18NC x 1.00"	12
10	7115150850	Capscrew, 0.31"-18NC x .075"	26
11	7950150000	Lockwasher, 0.31" ID	38
12	7661000022	Nut, 0.31"-18NC	21
13	7007000036	Adapter	9
14	7661000027	Nut, Stacking	7
15	7274000105	Clamp	6

Eastern Wrecker Sales, Inc. - www.easternwrecker.com - 919-553-4038

SUBFRAME HYDRAULIC TUBING

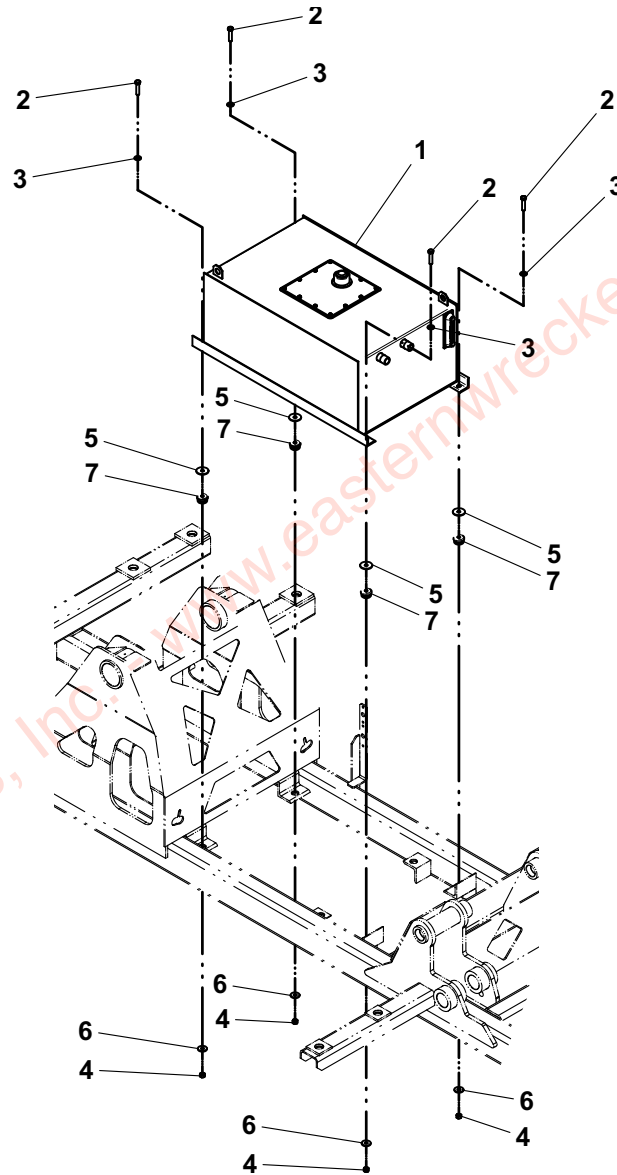


HYDRAULIC TANK INSTALLATION

ITEM	PART NO.	DESCRIPTION	QTY
1	3750000022	Hydraulic Tank Assembly	1
2	7115181850	Capscrew, 0.50"-13NC x 2.25"	4
3	7950180141	Flatwasher, 0.50" ID	4
4	7660182601	Locknut, 0.50"-13NC	4
5	7949000015	Washer, Head	4
6	7949000016	Washer, Tail	4
7	7636000006	Rubber Mount	4

Eastern Wrecker Sales, Inc. - www.easternwrecker.com - 919-553-4038

HYDRAULIC TANK INSTALLATION

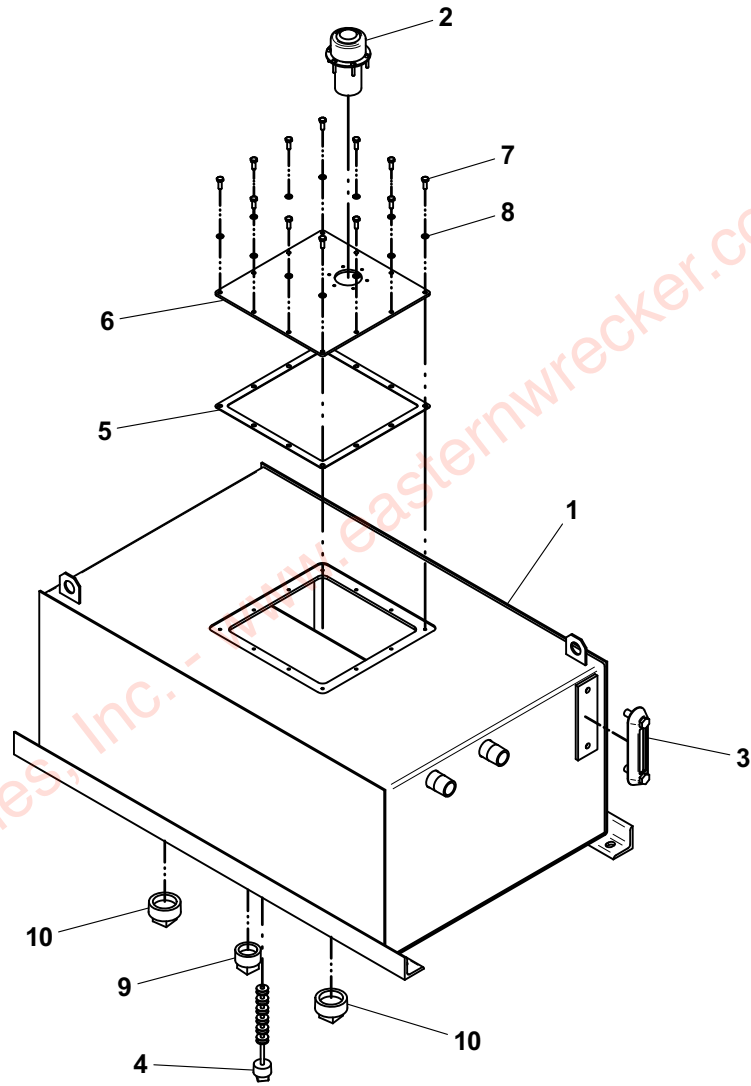


HYDRAULIC TANK ASSEMBLY

ITEM	PART NO.	DESCRIPTION	QTY
1	3750000021	Hydraulic Tank	1
2	7183000002	Breather, Filler Cap	1
3	7470000003	Gauge, Sight	1
4	7701000025	Plug, Magnetic	1
5	7796000051	Gasket	1
6	4706002235	Plate	1
7	7115140650	Capscrew, 0.25"-25NC x 0.75"	12
8	7950140000	Lockwasher, 0.25" ID	12
9	7444120014	Plug	1
10	7444160011	Plug	2

Eastern Wrecker Sales, Inc. - www.easternwrecker.com - 919-553-4038

HYDRAULIC TANK ASSEMBLY

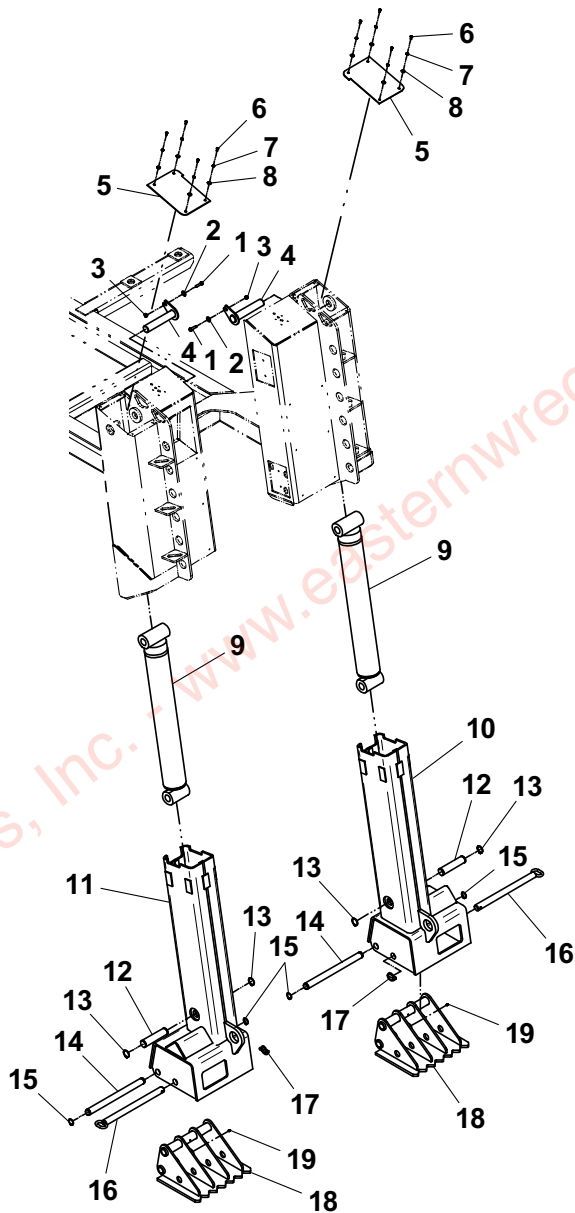


REAR SPADE INSTALLATION

ITEM	PART NO.	DESCRIPTION	QTY
1	7115161250	Capscrew 0.38"-16NC x 1.50"	2
2	7950160151	Flatwasher 0.38" I.D.	2
3	7660162601	Locknut 0.38"-16NC	2
4	3691000139	Pin	2
5	4706003714	Plate	2
6	7114140518	Capscrew 0.25"-20NC x 0.62"	8
7	7949000025	Lockwasher 11MM ID	8
8	7950140153	Flatwasher 0.25" ID	8
9	7320000006	Spade Cylinder Assembly	2
10	3263000068	Channel Weld RH	1
11	3263000067	Channel Weld LH	1
12	4691000207	Pin	2
13	7754000033	Retaining Ring	4
14	4691000200	Pin	2
15	7754000008	Retaining Ring	4
16	3691000126	Pin	2
17	7691000019	Lynch Pin	2
18	3706000113	Spade Claw Plate	2
19	7440030000	Grease Fitting	2

Eastern Wrecker Sales, Inc. - www.easternwrecker.com - 919-553-4038

REAR SPADE INSTALLATION

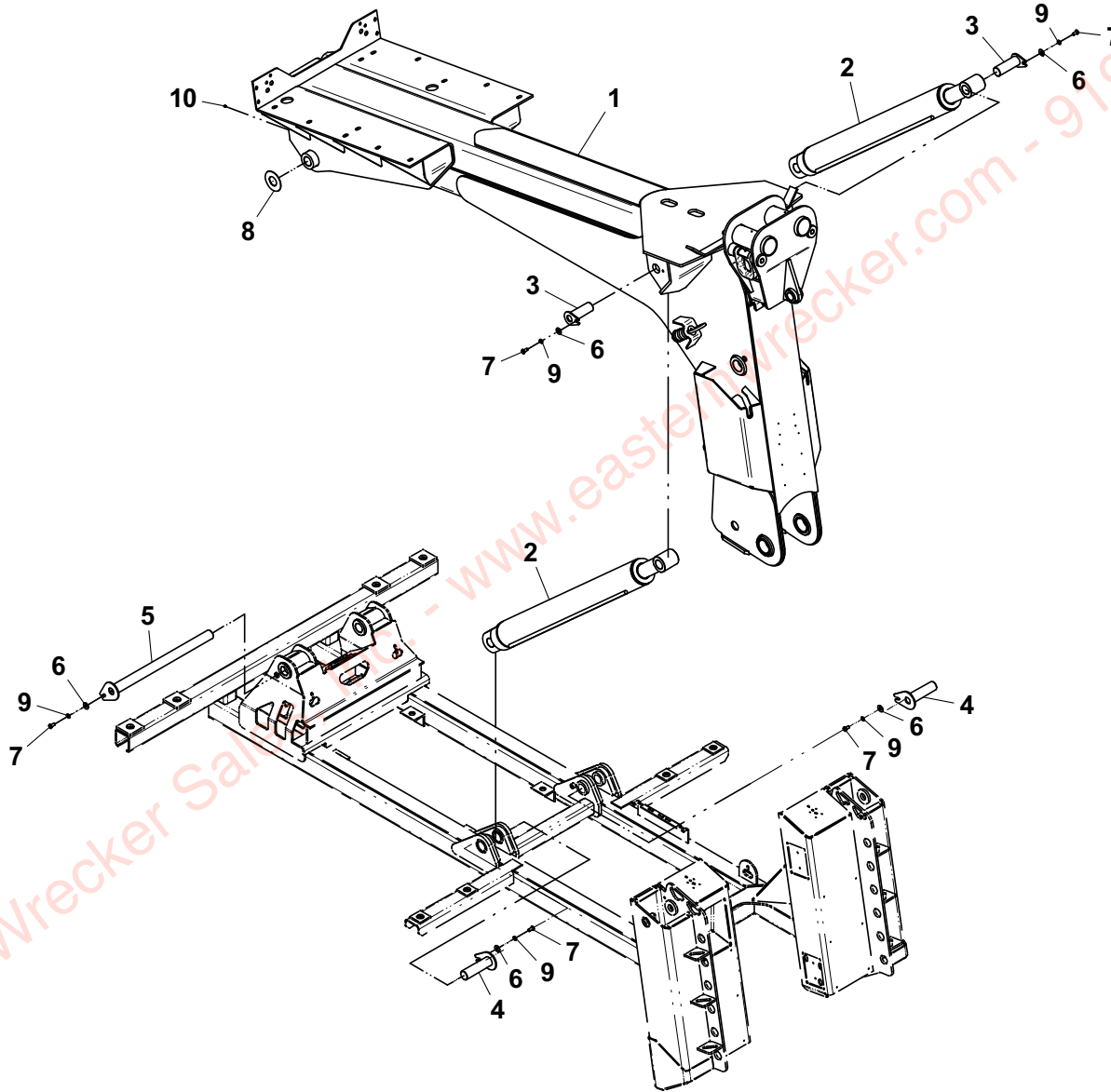


BOOM INSTALLATION - 2 PIECE BOOM

ITEM	PART NO.	DESCRIPTION	QTY
1	3170000259	Boom Assembly	1
2	7320000046	Lift Cylinder Assembly	2
3	3691000161	Pin	2
4	3691000162	Pin	2
5	3691000163	Pin	1
6	7950180161	Washer, 0.50" Plated	5
7	7115180850	Capscrew, 0.50"-13NC x 1.00"	5
8	4949000031	Shim, 0.63" Thick	2
	4949000032	Shim, 0.93" Thick	2
9	7950180000	Lock Washer	5
10	7440030000	Grease Fitting	1

Eastern Wrecker Sales, Inc. - www.easternwrecker.com - 919-553-4038

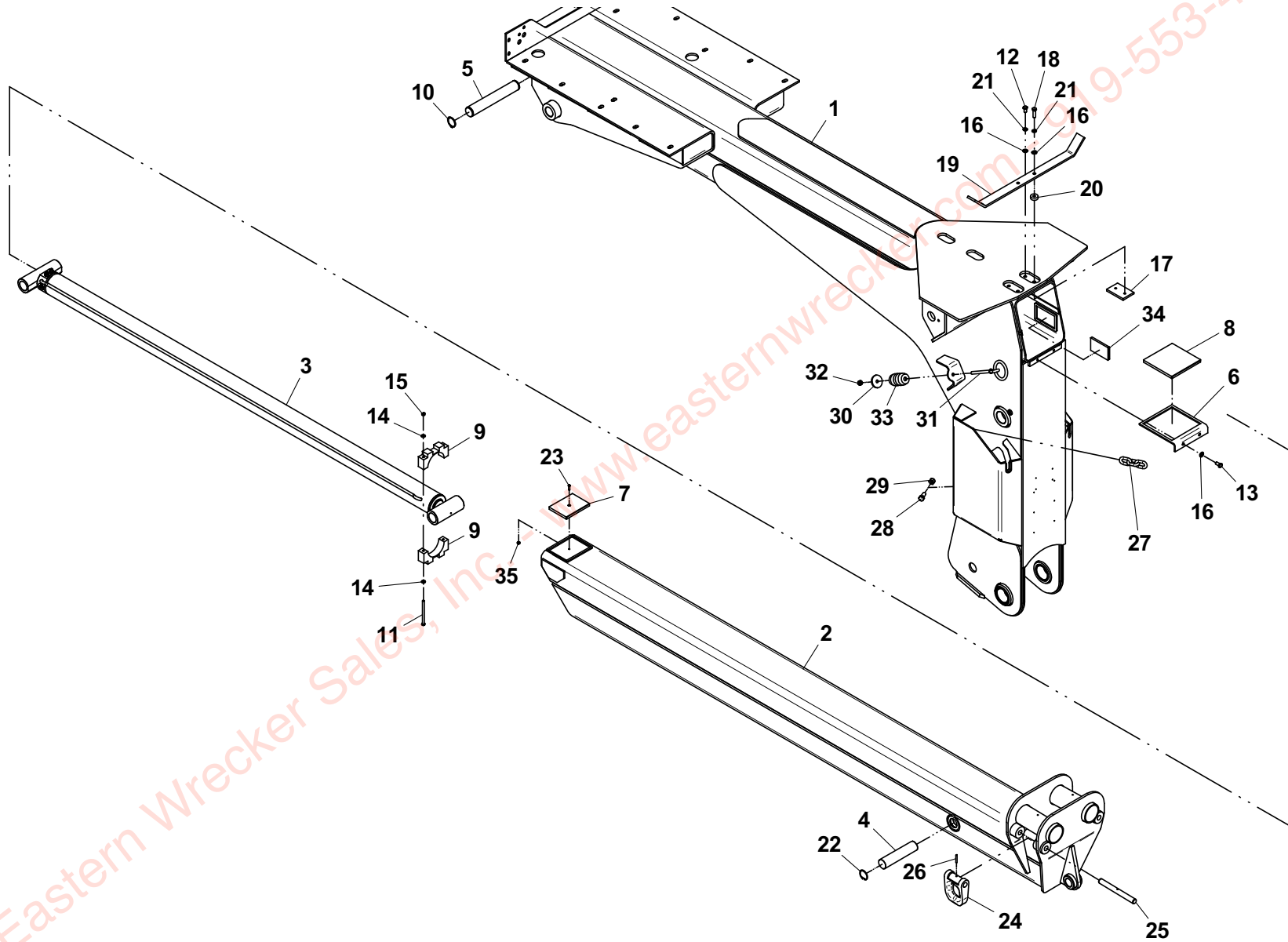
BOOM INSTALLATION - 2 PIECE BOOM



WRECKER BOOM ASSEMBLY - 2 PIECE BOOM

ITEM	PART NO.	DESCRIPTION	QTY
1	3170000175	Base Section Boom Weldment	1
2	3170000258	Fly Section Boom Weldment	1
3	7320000037	Extension Cylinder Assembly	1
4	4691000323	Pin	1
5	4691000208	Pin	1
6	4706002435	Plate	1
7	4679000163	Pad	1
8	4679000162	Pad	1
9	4177000033	Brace	2
10	7754000048	Retaining Ring	2
11	7115164450	Capscrew, 0.38"-16NC x 5.50"	2
12	7115180750	Capscrew, 0.50"-13NC x 0.88"	2
13	7115180850	Capscrew, 0.50"-13NC x 1.00"	2
14	7950160251	Washer, 0.38" ID	4
15	7660161600	Locknut, 0.38"-16NC	2
16	7950180153	Flatwasher, 0.50" ID	6
17	4831000061	Spacer, 0.38" x 3.00" x 4.50"	2
18	7115181450	Capscrew, 0.50"-13NC x 1.75"	2
19	4062000158	Bar	1
20	4831000064	Spacer, 1.50" OD x 0.515" ID x 0.50"	2
21	7950180000	Lock Washer, 0.59" ID	4
22	7754000061	Retaining Ring	2
23	7114140818	Capscrew, 0.25"-20NC x 1.00"	1
24	4754000003	D-Ring	2
25	4691000243	Pin	2
26	7690142845	Pin	2
27	7262000025	Chain W/Latch Hook	2
28	7115201250	Capscrew, 0.63"-11NC x 1.50"	2
29	7660202601	Locknut, 0.63"-11NC	2
30	4706001799	Plate	2
31	7120000025	Ring	2
32	7660182600	Locknut, 0.50"-13NC	2
33	7189000014	Spring	2
34	4679000168	Pad	2
35	7660142604	Locknut, 0.25"-20NC	1

WRECKER BOOM ASSEMBLY - 2 PIECE BOOM

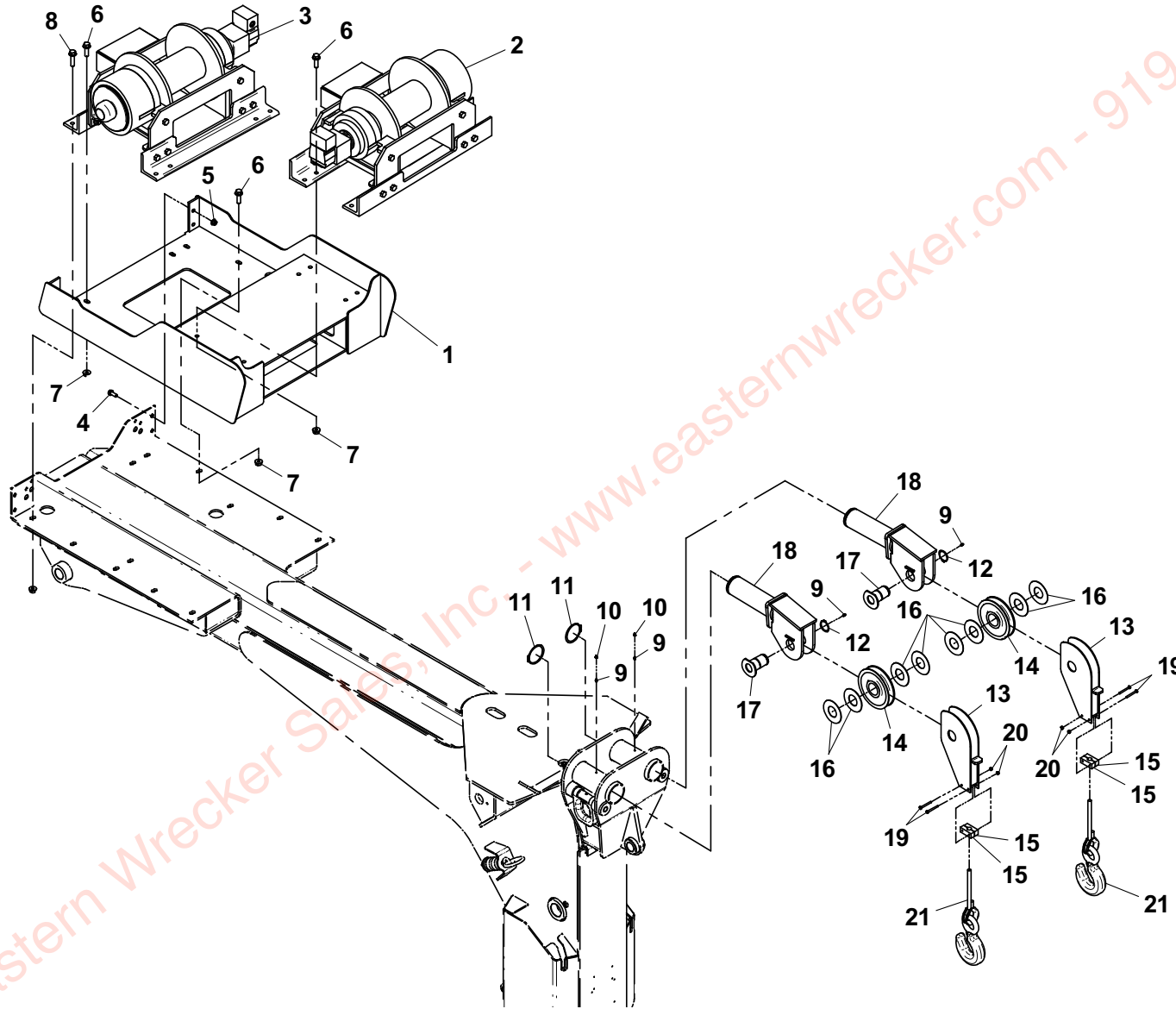


WINCH INSTALLATION - 25K & 35K DP PLANETARY WINCHES

ITEM	PART NO.	DESCRIPTION	QTY	ITEM	PART NO.	DESCRIPTION	QTY
		Winch Install 25K DP				Winch Install 35K DP	
1	3636000068	Bracket, Winch Mount	1	1	3636000068	Bracket, Winch Mount	1
2	7970000050	Winch, DP 25K - RH	1	2	7970000067	Winch, DP 35K - RH	1
3	7970000049	Winch, DP 25K - LH	1	3	7970000066	Winch, DP 35K - LH	1
4	7118181016	Capscrew, 0.50"-13NC x 1.25"	4	4	7118181016	Capscrew, 0.50"-13NC x 1.25"	4
5	7660182301	Locknut, 0.50"-13NC	4	5	7660182301	Locknut, 0.50"-13NC	4
6	7118201616	Capscrew, 0.63"-11NC x 2.00"	16	6	7118201616	Capscrew, 0.63"-11NC x 2.00"	16
7	7661000018	Nut, 0.63"-11NC	22	7	7661000018	Nut, 0.63"-11NC	22
8	7118202016	Bolt, 0.63"-11NC x 2.50"	6	8	7118202016	Bolt, 0.63"-11NC x 2.50"	6
9	7440030000	Grease Fitting	2	9	7440030000	Grease Fitting	2
10	7253000002	Grease Cap	2	10	7253000002	Grease Cap	2
11	7754000049	Retaining Ring, 3.50" Dia.	2	11	7754000049	Retaining Ring, 3.50" Dia.	2
12	7754000048	Retaining Ring, 2.00" Dia.	2	12	7754000048+	Retaining Ring, 2.00" Dia.	2
13	3249000001	Cable Guide Weldment	2		7754000033*	Retaining Ring, 1.50" Dia.	2
14	7809000019	Sheave, 7.75" Dia. (0.63" Cable)	2	13	3249000001+	Cable Guide Weldment	2
15	4249000001	Cable Guide, 1.00" x 1.75" x 2.75"	4		3249000012*	Cable Guide Weldment	2
16	4949000031^	Washer, 0.063" Thick	4	14	7809000019+	Sheave, 7.75" Dia. (0.63" Cable)	2
	4949000032^	Washer, 0.093" Thick			7809000006*	Sheave, 8.00" Dia. (0.75" Cable)	2
17	3691000129	Pin	2	15	4249000001+	Cable Guide, 1.00" x 1.75" x 2.75"	4
18	3249000010	Sheave Support Weldment	2		4249000002*	Cable Guide, 1.00" x 0.81" x 2.75"	4
19	7115142050	Capscrew, 0.25"-20NC x 2.50"	4	16	4949000031^	Washer, 0.063" Thick	4
20	7660141600	Locknut, 0.25"-20NC	4		4949000032^	Washer, 0.093" Thick	
21	7248000040	Cable, 0.63" x 200'	1		4949000045*	Washer, 5.00" OD x 1.53" ID	
	7248000078	Cable, 0.63" x 200' w/ Swivel Hook	1	17	3691000129+	Pin	2
	7248000037	Cable, 0.63" x 250'	1		3691000169*	Pin	2
	7248000079	Cable, 0.63" x 250' w/ Swivel Hook	1	18	3249000010+	Sheave Support Weldment	2
					3249000011*	Sheave Support Weldment	2
				19	7115142050	Capscrew, 0.25"-20NC x 2.50"	4
				20	7660141600	Locknut, 0.25"-20NC	4
				21	7248000040+	Cable, 0.63" x 200'	1
					7248000078+	Cable, 0.63" x 200' w/ Swivel Hook	1
					7248000037+	Cable, 0.63" x 250'	1
					7248000079+	Cable, 0.63" x 250' w/ Swivel Hook	1
					7248000055*	Cable, 0.75" x 200'	1
					7248000080*	Cable, 0.75" x 200' w/ Swivel Hook	1

* Parts Used with 3/4" Wire Cable Option
 + Parts Used with 5/8" Wire Cable Option
 ^ Also Available in Shim Kit - 3577000019

WINCH INSTALLATION - 25K & 35K DP PLANETARY WINCHES

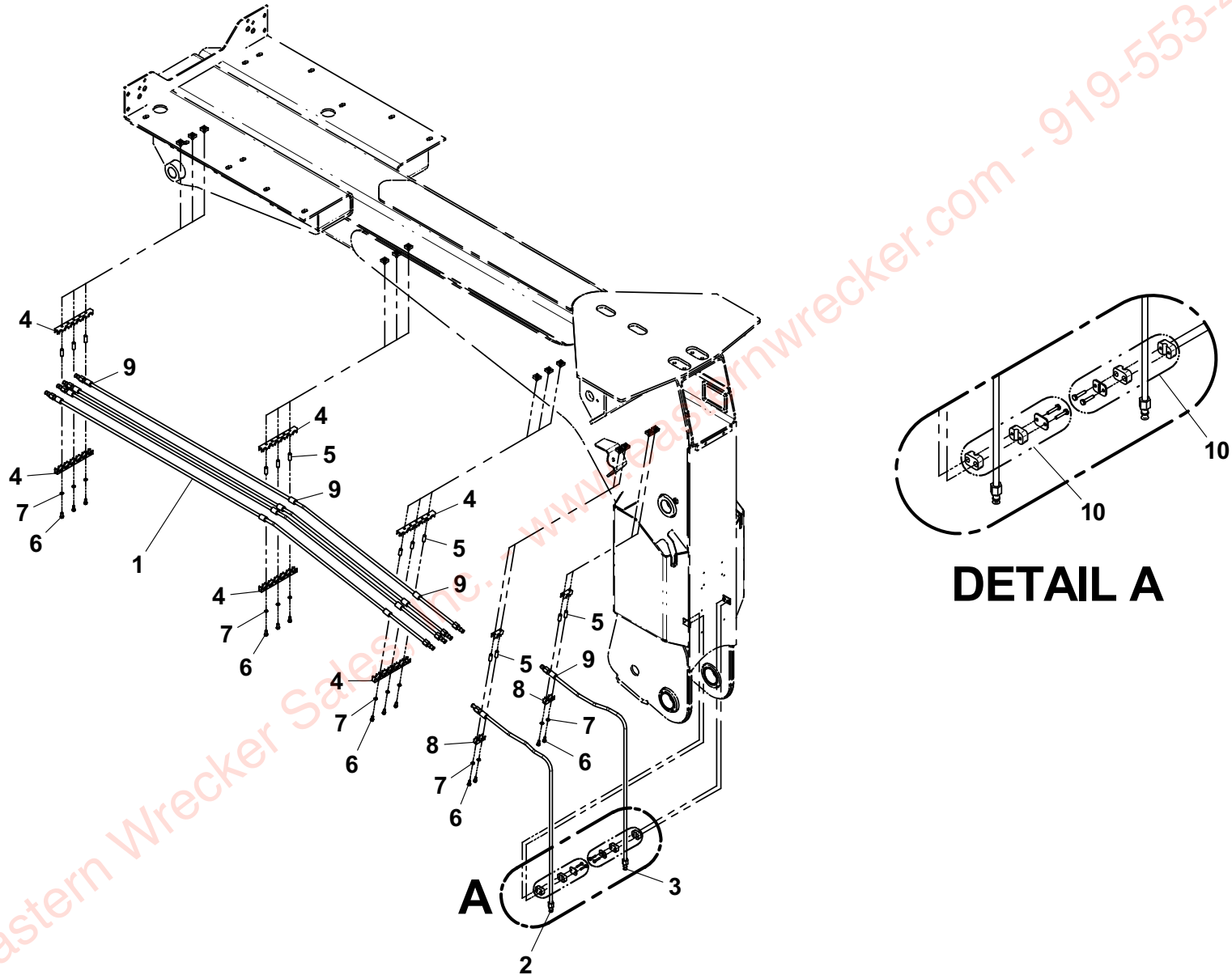


BOOM TUBE ASSEMBLY

ITEM	PART NO.	DESCRIPTION	QTY
1	7912000108	Tube Assembly	4
2	7912000105	Tube Assembly	1
3	7912000106	Tube Assembly	1
4	7274000030	Clamp Unit	3
5	7661000022	Nut, 0.31"-18NC Stacking Head	13
6	7115150650	Capscrew, 0.31"-18NC x 0.75"	13
7	7950150000	Washer, 0.31"	13
8	7274000056	Clamp	2
9	7209000023	Bushing, 0.50" ID x 1.31"	14
10	7274000051	Clamp	2

Eastern Wrecker Sales, Inc. - www.easternwrecker.com - 919-553-4038

BOOM TUBE ASSEMBLY

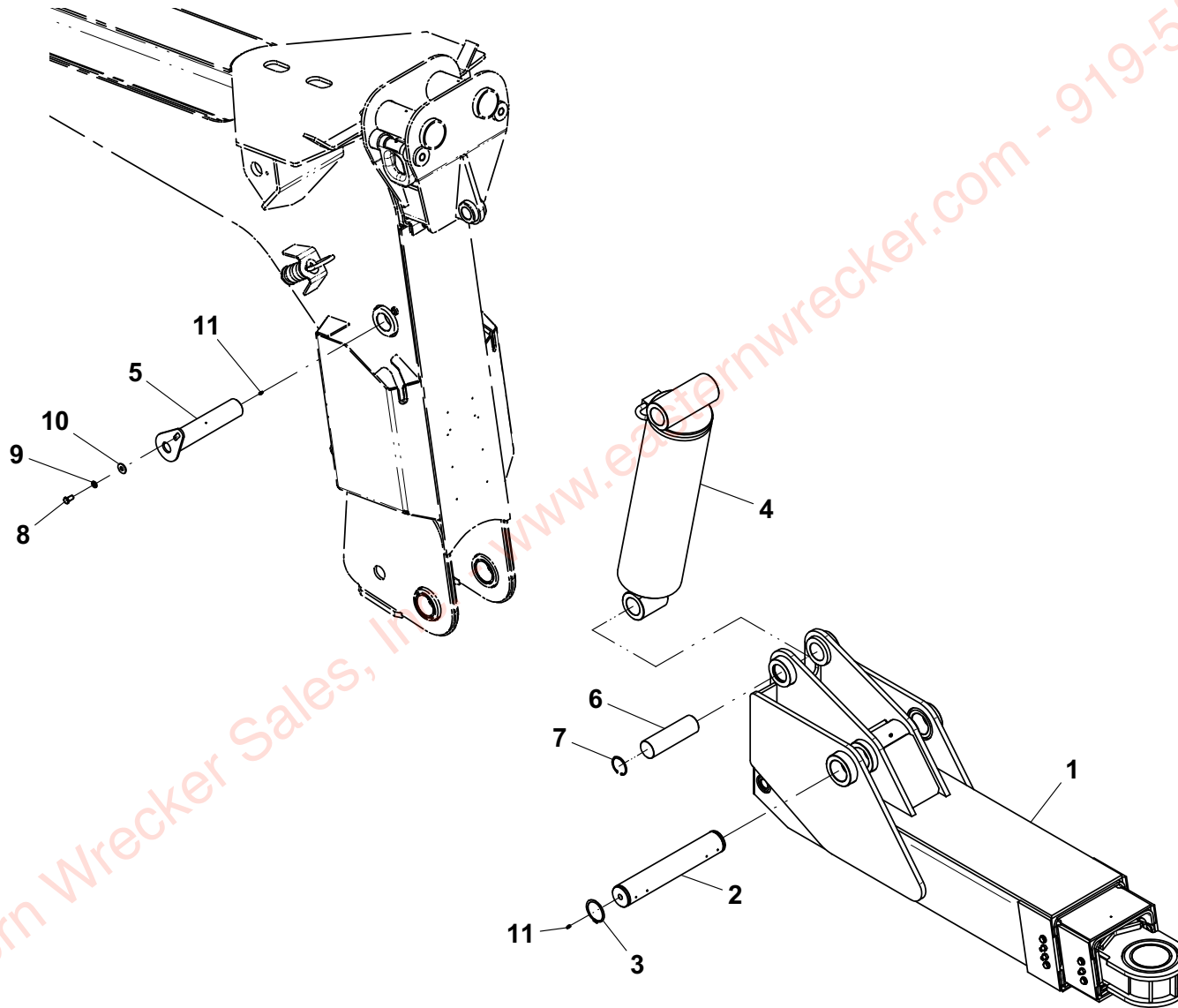


UNDERLIFT INSTALLATION

ITEM	PART NO.	DESCRIPTION	QTY
1	317000225	Underlift Assembly - Standard	1
	317000220	Underlift Assembly - (+6) Optional	1
2	4691000311	Pin	1
3	7754000018	Retaining Ring	2
4	7320000036	Underlift Tilt Cylinder Assembly	1
5	3691000160	Pin	1
6	4691000317	Pin	1
7	7754000051	Retaining Ring	2
8	7115180850	Capscrew, 0.50"-13NC x 1.00"	1
9	7950180000	Lockwasher, 0.59" ID	1
10	7950180161	Flatwasher, 0.50" ID	1
11	7440030000	Grease Fitting	3

Eastern Wrecker Sales, Inc. - www.easternwrecker.com - 919-553-4038

UNDERLIFT INSTALLATION



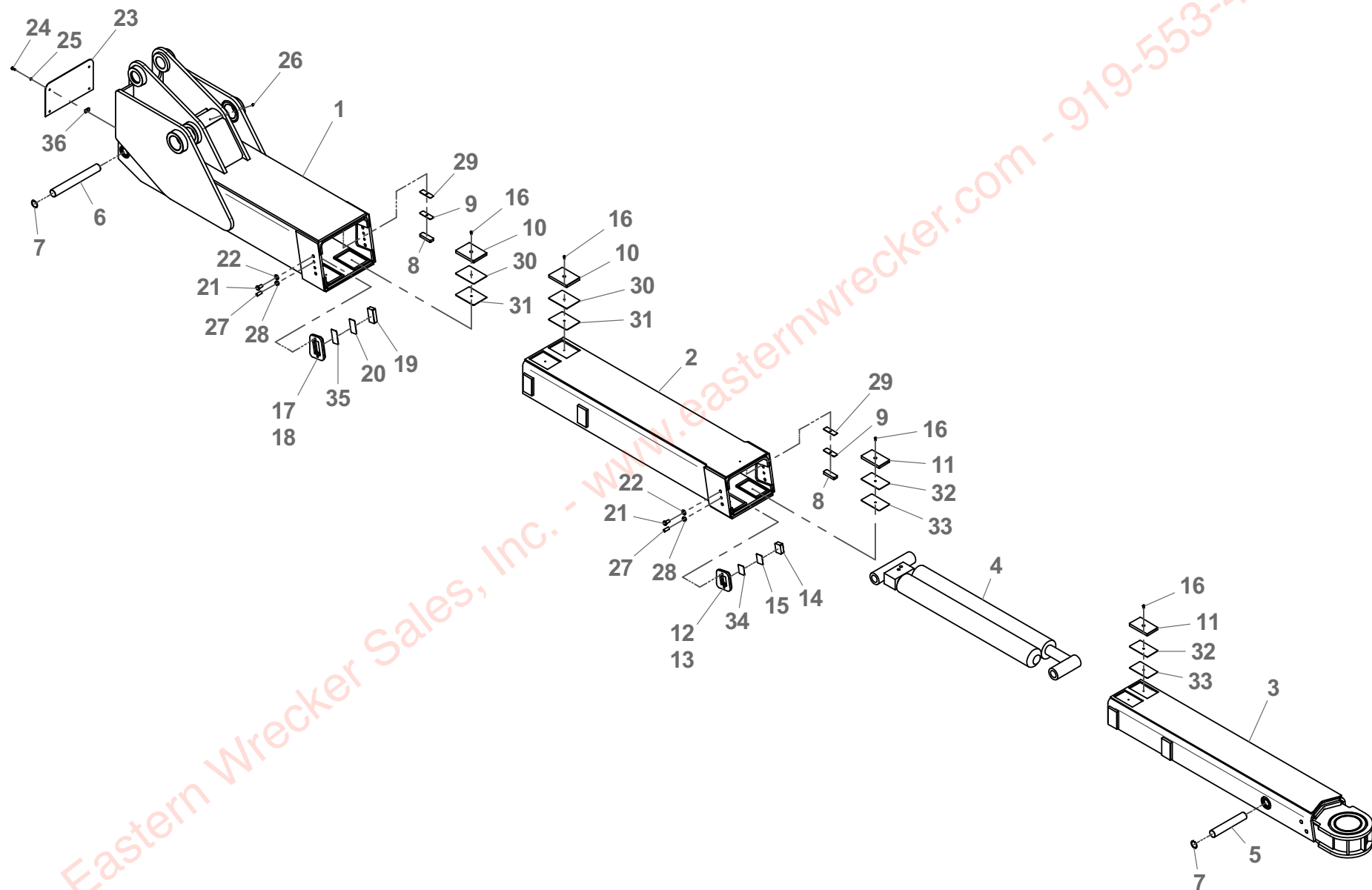
UNDERLIFT ASSEMBLY - 3170000220 - 53,000 LB (STANDARD)

ITEM	PART NO.	DESCRIPTION	QTY
1	3170000224	Base Section Boom Weldment	1
2	3170000223	Mid Section Boom Weldment	1
3	3170000221	Fly Section Boom Weldment	1
4	7320000042	Underlift Extension Cylinder Assembly	1
5	4691000318	Pin	1
6	4691000316	Pin	1
7	7754000043	Retaining Ring	4
8	4679000159	Pad	2
9	4706003708	Plate	2
10	4679000161	Pad	4
11	4679000158	Pad	4
12	3706000177	Plate	1
13	3706000178	Plate	1
14	4679000206	Pad	2
15	4706003144	Plate	2
16	7114140418	Capscrew, 0.25"-20NC x 0.50"	8
17	3706000179	Plate - LH	1
18	3706000180	Plate - RH	1
19	4679000205	Pad	2
20	4706003719	Plate	2
21	7105180850	Capscrew, 0.50"-20NF x 1.00"	8
22	7950180153	Flatwasher, 0.50"	8
23	4706002467	Plate	1
24	7115140650	Capscrew, 0.25"-20NC x 0.75"	4
25	7950140000	Lockwasher, 0.25"	4
26	7440030000	Grease Fitting	1
27	7786000008	Screw, 0.50"-20NF x 1.25"	6
28	7660180230	Nut, 0.50"-20NF	6
29	4706003709	Plate	4
30	4706003721	Plate	4
31	4706003722	Plate	4
32	4706003723	Plate	4
33	4706003724	Plate	4
34	4706003725	Plate	2
35	4706003720	Plate	2
36	7661000019	Nut, 0.25"-20NC	4

UNDERLIFT ASSEMBLY - 3170000225 - EXTENDED (+6.00)

ITEM	PART NO.	DESCRIPTION	QTY
1	3170000224	Base Section Boom Weldment	1
2	3170000223	Mid Section Boom Weldment	1
3	3170000222	Fly Section Boom Weldment	1
4	7320000034	Underlift Extension Cylinder Assembly	1
5	4691000318	Pin	1
6	4691000316	Pin	1
7	7754000043	Retaining Ring	4
8	4679000159	Pad	2
9	4706003708	Plate	2
10	4679000161	Pad	4
11	4679000158	Pad	4
12	3706000177	Plate	1
13	3706000178	Plate	1
14	4679000206	Pad	2
15	4706003144	Plate	2
16	7114140418	Capscrew, 0.25"-20NC x 0.50"	8
17	3706000179	Plate - LH	1
18	3706000180	Plate - RH	1
19	4679000205	Pad	2
20	4706003719	Plate	2
21	7105180850	Capscrew, 0.50"-20NF x 1.00"	8
22	7950180153	Flatwasher, 0.50"	8
23	4706002467	Plate	1
24	7115140650	Capscrew, 0.25"-20NC x 0.75"	4
25	7950140000	Lockwasher, 0.25"	4
26	7440030000	Grease Fitting	1
27	7786000008	Screw, 0.50"-20NF x 1.25"	6
28	7660180230	Nut, 0.50"-20NF	6
29	4706003709	Plate	4
30	4706003721	Plate	4
31	4706003722	Plate	4
32	4706003723	Plate	4
33	4706003724	Plate	4
34	4706003725	Plate	2
35	4706003720	Plate	2
36	7661000019	Nut, 0.25"-20NC	4

UNDERLIFT ASSEMBLY - 3170000225 - EXTENDED (+6.00)



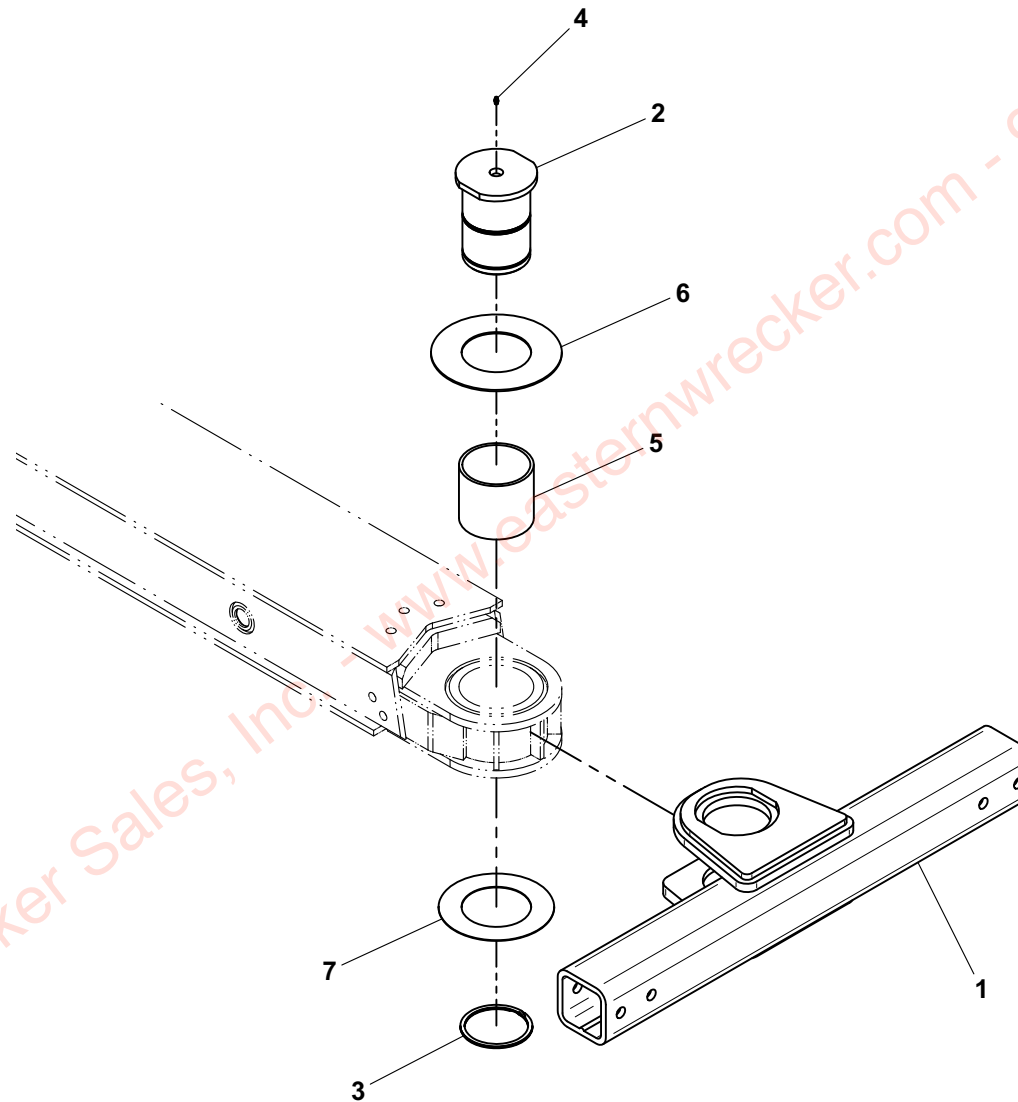
CROSSTUBE INSTALLATION

ITEM	PART NO.	DESCRIPTION	QTY
1	3913000094	Crosstube Weldment	1
2	4691000242	Pin	1
3	7754000042	Retaining Ring	1
4	7440300000	Grease Fitting	1
5	7209000022	Bushing	1
6	4949000041*	Washer, 0.125" Thk	1
7	4949000042*	Washer, 0.63" Thk	2

* Available in Shim Kit - 3577000018

Eastern Wrecker Sales, Inc. - www.easternwrecker.com - 919-553-4038

CROSSTUBE INSTALLATION



UNDERLIFT TOOLS - FRAME FORKS

ITEM	PART NO.	DESCRIPTION	QTY
1	3007000004	Adapter, Chain Hook	2
2	7007000056	Adapter, Frame Fork - RH	1
3	7007000055	Adapter, Frame Fork - LH	1
4	3178000226	Spring Lift Bracket	2
5	7454000006	Fork, 3.00" Short	2
6	7454000005	Fork, 3.00" Medium	2
7	7454000003	Fork, 4.50" Medium	2
8	7454000004	Fork, 4.50" Long	2
9	3551000036	T-Handle	2
10	7691000022	Pin	2
11	7691000020	Hairpin	2
12	7691000021	Hitch Pin	2
13	7262000026	Chain, Tie-Down	2

Eastern Wrecker Sales, Inc. - www.easternwrecker.com - 919-553-4038

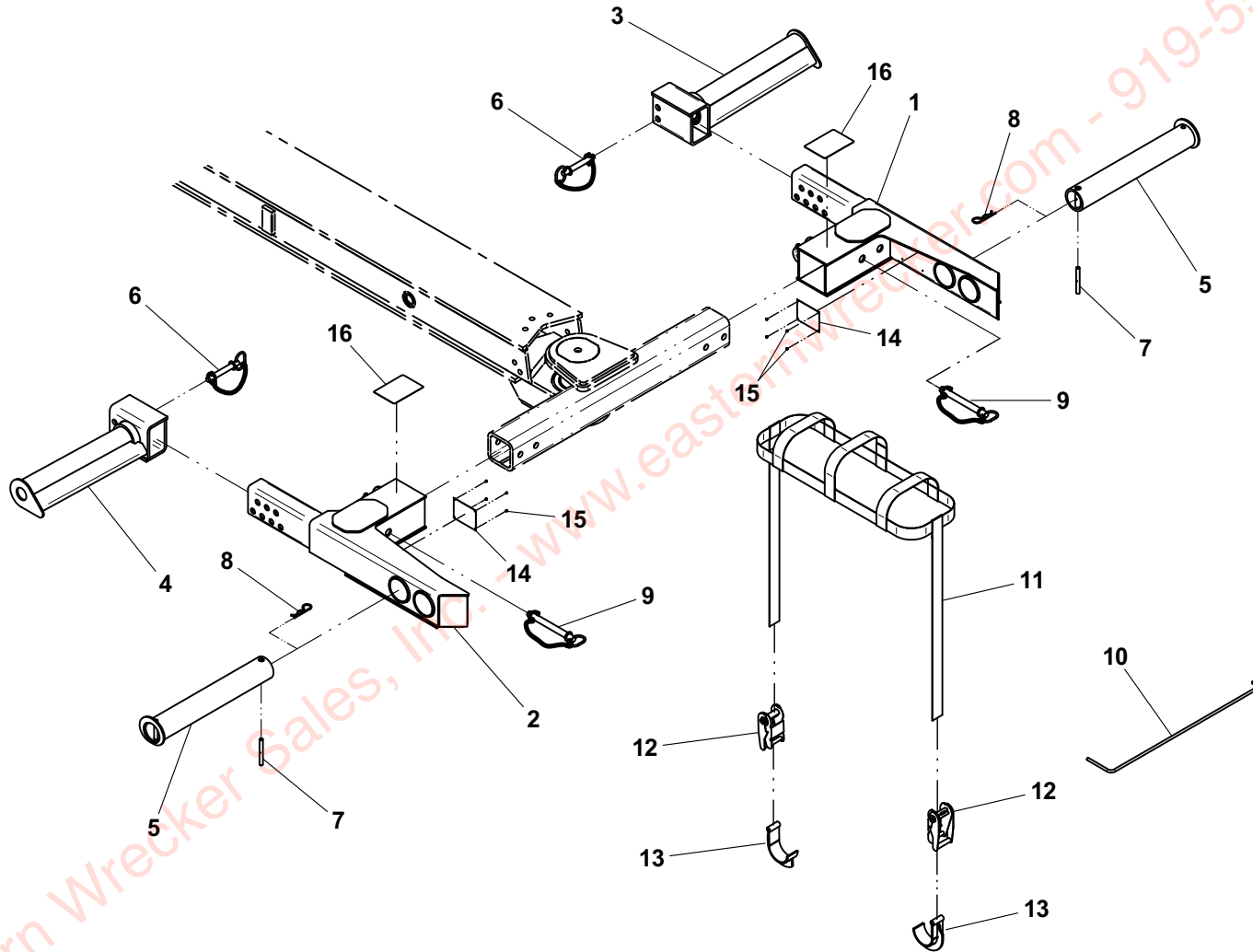
UNDERLIFT TOOLS - 14,000 LB TIRE LIFT

ITEM	PART NO.	DESCRIPTION	QTY
1	3484000048*	Tire Lift Grid - RH	1
2	3484000049*	Tire Lift Grid - LH	1
3	3020000120*	Tire Lift Arm Weldment - RH	1
4	3020000119*	Tire Lift Arm Weldment - LH	1
5	3912000038*	Tire Lift Tube Weldment	2
6	7691000026*	Hitch Pin	2
7	4691000274*	Pin	2
8	7691000020*	Hairpin	2
9	7691000021	Hitch Pin	2
10	4561000012*	Hook, Pull	1
11	7894000037*	Strap, 2" Wide (Standard - Yellow)	2
	7894000041*	Strap, 2" Wide (Optional - Orange)	
12	7894000028*	Ratchet, 2" Wide Strap	4
13	3561000008*	Hook, 2" Wide Strap	4
14	7330000550*	Decal	2
15	7759000004*	Rivet	8
16	7330000278*	Decal	2

* Also available as - 2503550088

Eastern Wrecker Sales, Inc. - www.easternwrecker.com - 919-553-4038

UNDERLIFT TOOLS - 14,000 LB TIRE LIFT



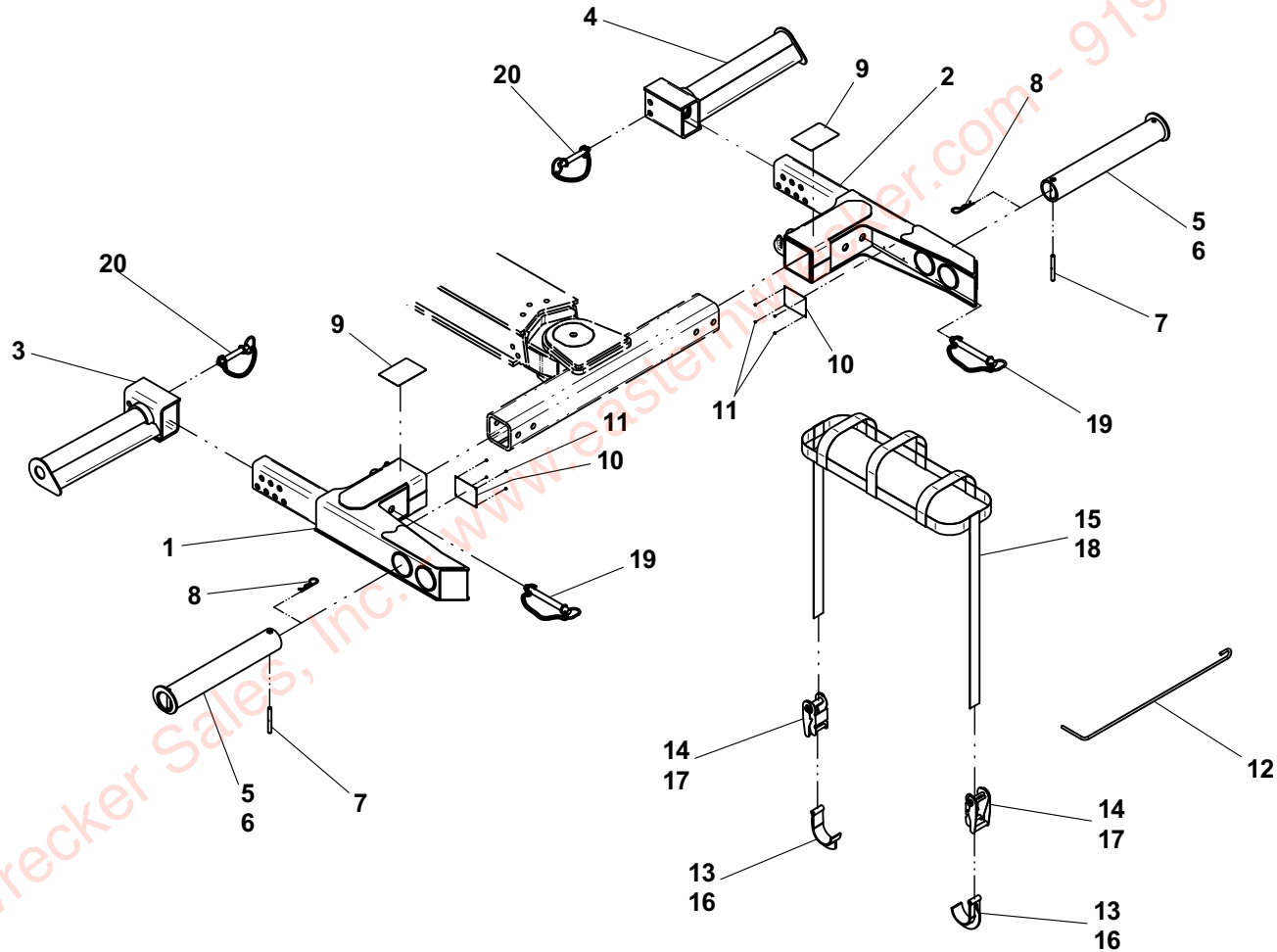
UNDERLIFT TOOLS - 25,000 LB TIRE LIFT

ITEM	PART NO.	DESCRIPTION	QTY
1	3484000072^	Tire Lift Grid - LH	1
2	3484000073^	Tire Lift Grid - RH	1
3	3020000119^	Tire Lift Arm Weldment - LH	1
4	3020000120^	Tire Lift Arm Weldment - RH	1
5	3912000038^	Tire Lift Tube Weldment - 23" Long	2
6	3912000033^	Tire Lift Tube Weldment - 27.5" Long	2
7	4691000274^	Pin	2
8	7691000020^	Hairpin	2
9	7330000278^	Decal	2
10	7330000550^	Decal	2
11	7759000004^	Rivet	8
12	4561000012^	Hook, Pull	1
13	3561000015*	Hook, 3" Wide Strap	4
14	7894000060*	Ratchet, 3" Wide Strap	4
15	7894000057*	Strap, 3" Wide	2
16	3561000008^	Hook, 2" Wide Strap	4
17	7894000028^	Ratchet, 2" Wide Strap	4
18	7894000037^	Strap, 2" Wide	2
19	7691000021	Hitch Pin	2
20	7691000026^	Hitch Pin	2

^ Also available as - 2502880300

* Available in Strap Kit - 7577000368

UNDERLIFT TOOLS - 25,000 LB TIRE LIFT



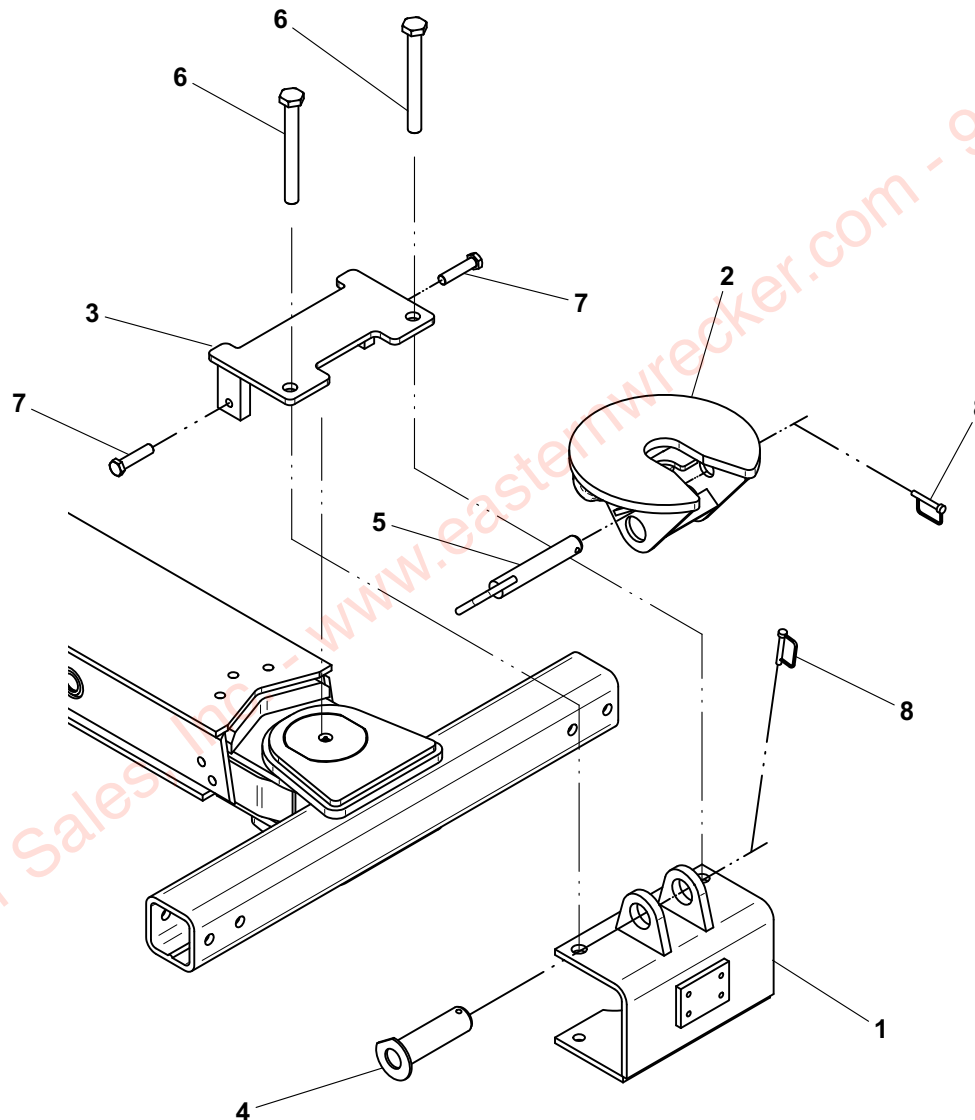
UNDERLIFT TOOLS - FIFTH WHEEL ATTACHMENT

ITEM	PART NO.	DESCRIPTION	QTY
1	3178000240*	Bracket Weldment	1
2	3178000499*	Bracket, Fifth Wheel Weldment	1
3	3706000080*	Plate Weldment	1
4	3691000144*	Pin	1
5	3691000145*	Pin	1
6	7118267250*	Capscrew, 1.00"-8NC x 9.00"	2
7	7120000036*	Capscrew, 0.75"-10NC x 3.25"	2
8	7691000025*	Pin	2

* Also available as - 2503880033

Eastern Wrecker Sales, Inc. - www.easternwrecker.com - 919-553-4038

UNDERLIFT TOOLS - FIFTH WHEEL ATTACHMENT

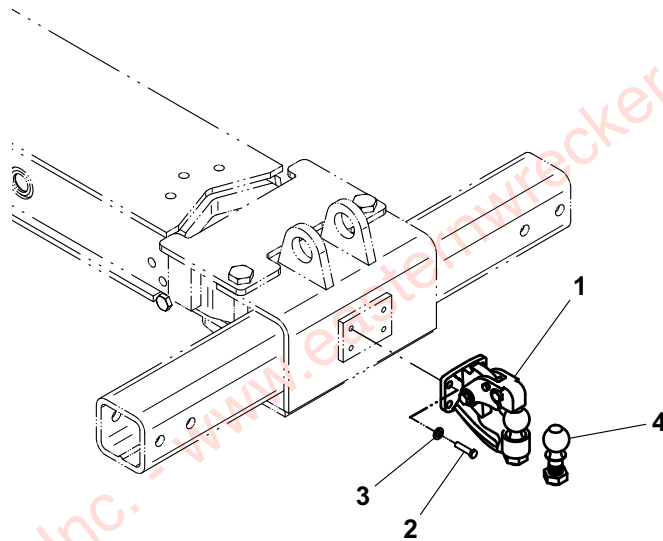


UNDERLIFT TOOLS - PINTLE HOOK

ITEM	PART NO.	DESCRIPTION	QTY
1	7561000020	Hitch, Pintle Hook with 2" Dia. Ball	1
2	7118181250	Capscrew, 0.50"-13NC x 1.50"	4
3	7950180000	Lockwasher, 0.50" ID	4
4	7056000003	Ball, 1.88" Dia	1
	7056000004	Ball, 2.00" Dia	
	7056000005	Ball, 2.31" Dia	
	7056000006	Ball, 50mm Dia	

Eastern Wrecker Sales, Inc. - www.easternwrecker.com - 919-553-4038

UNDERLIFT TOOLS - PINTLE HOOK

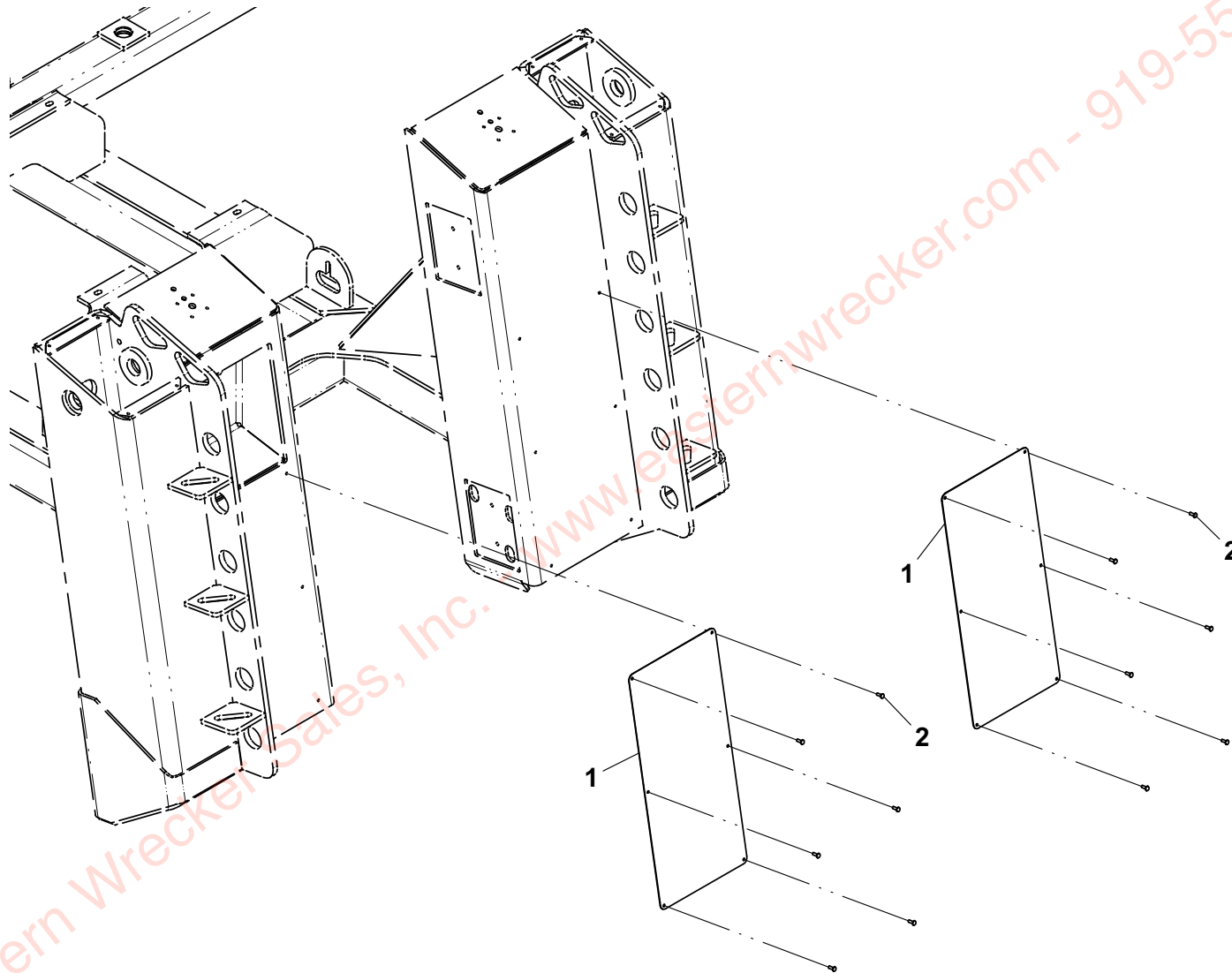


REAR TAIL PLATE INSTALLATION

ITEM	PART NO.	DESCRIPTION	QTY
1	4706002491	Plate	2
2	7759000018	Rivet	12

Eastern Wrecker Sales, Inc. - www.easternwrecker.com - 919-553-4038

REAR TAIL PLATE INSTALLATION

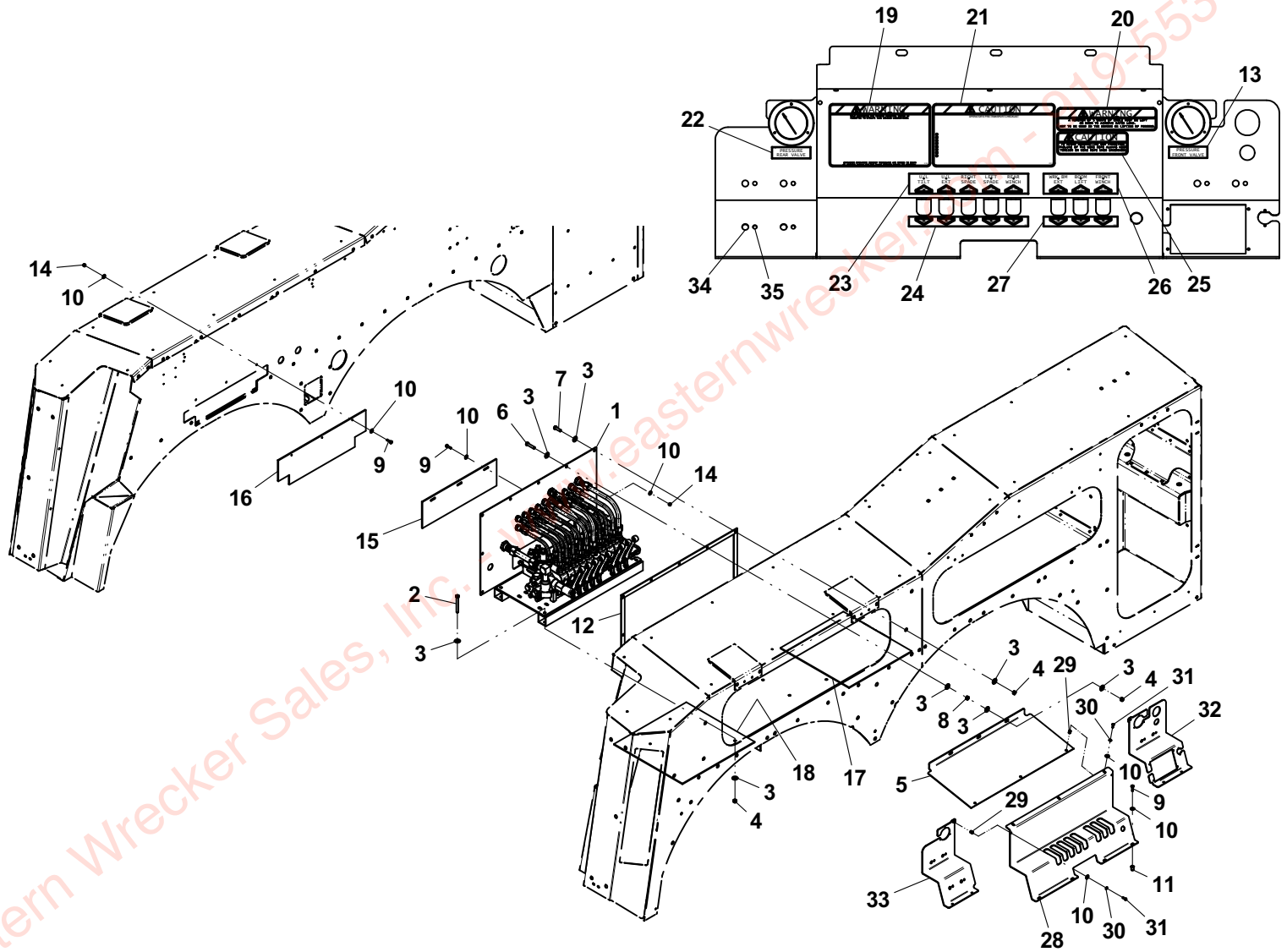


CONTROLS - CONTROL VALVE INSTALLATION

ITEM	PART NO.	DESCRIPTION	QTY	ITEM	PART NO.	DESCRIPTION	QTY
1	3935000182	Control Valve Assy - 6 Function Remote	1	34	7701000067	Plug	4
	3935000183	Control Valve Assy - 12 Function Remote	1	35	7701000058	Plug	4
2	7115162850	Capscrew, 0.38"-16NC x 3.50"	4				
3	7950160161	Flatwasher, 0.38" ID	32				
4	7660162601	Locknut, 0.38"-16NC	13				
5	4706005589	Plate	1				
6	7115161450	Capscrew, 0.38"-16NC x 1.75"	3				
7	7115161050	Capscrew, 0.38"-16NC x 1.25"	6				
8	7660160000	Nut, 0.38"-16NC	3				
9	7115140850	Capscrew, 0.25"-20NC x 1.00"	14				
10	7590140161	Flatwasher, 0.25" ID	25				
11	7661000006	Well Nut, 0.25"-20 NC	8				
12	7796000012	Seal	8ft				
13	7330000257	Decal	1				
14	7660142601	Locknut, 0.25"-20NF	6				
15	4706005591	Plate	1				
16	4706002643	Plate	1				
17	4679000143	Pad, Rubber	1				
18	4679000144	Pad, Rubber	1				
19	7330000199	Decal	1				
20	7330000262	Decal	1				
21	7330000200	Decal	1				
22	7330000256	Decal	1				
23	7330000301	Decal	1				
24	7330000303	Decal	1				
25	7330000253	Decal	1				
26	7330000299	Decal	1				
27	7330000300	Decal	1				
28	4706005658	Plate	1				
29	7413000002	Nutsert, 0.25"-20 NC	5				
30	7950140000	Lockwasher, 0.25" ID	5				
31	7114140618	Capscrew, 0.25"-20NC x 0.75"	5				
32	4314000208	Coverplate	1				
33	4314000209	Coverplate	1				

Eastern Wrecker Sales, Inc. - www.easternwrecker.com - 919-553-4038

CONTROLS - CONTROL VALVE INSTALLATION

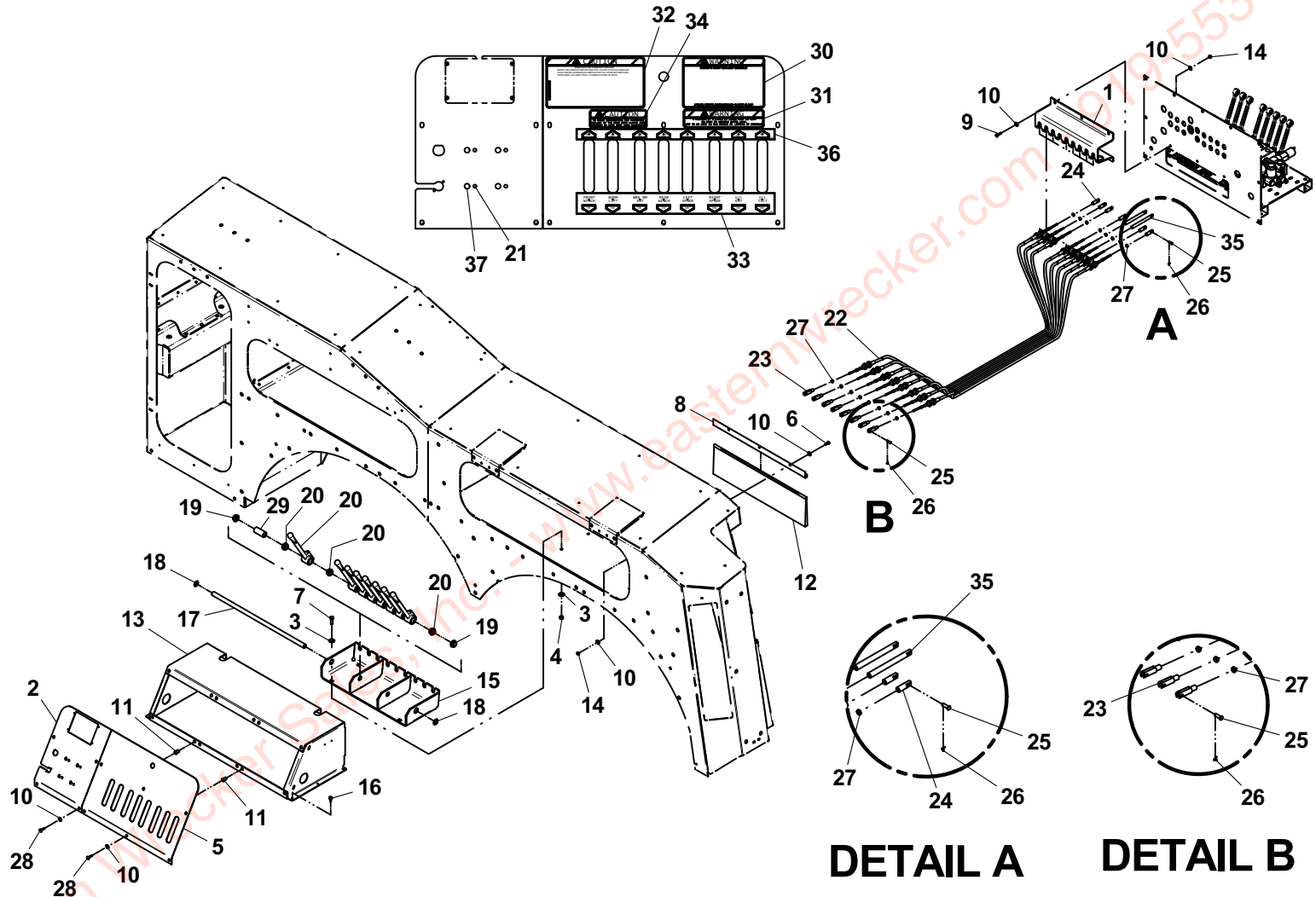


CONTROLS - PUSH-PULL CABLES INSTALLATION

ITEM	PART NO.	DESCRIPTION	QTY	ITEM	PART NO.	DESCRIPTION	QTY
1	4706005659	Plate, RH Cable Bracket	1	34	7330000253	Decal	1
2	4314000210	Coverplate	1	35	4309000007	Coupling, Cable - 6 Function Remote	5
3	7950160161	Flatwasher, 0.38" ID	8		4309000007	Coupling, Cable - 12 Function Remote	2
4	7660162601	Locknut, 0.38"-16NC	4	36	7330000704	Decal	1
5	4706002496	Plate	1	37	7701000067	Plug	4
6	7115140650	Capscrew, 0.25"-20NC x 0.75"	3				
7	7115161050	Capscrew, 0.38"-16NC x 1.25"	4				
8	4411000113	Extrusion, Brush Holder	1				
9	7115140850	Capscrew, 0.25"-20NC x 1.00"	3				
10	7590140161	Flatwasher, 0.25" ID	22				
11	7661000006	Well Nut, 0.25"-20 NC	10				
12	4638000003	Brush	1				
13	3686000016	Panel Weldment	1				
14	7660142601	Locknut, 0.25"-20NF	6				
15	3178000260	Bracket Weldment	1				
16	7790141056	Screw, Self Tapping - 0.25"-10NC x 0.63"	13				
17	7806000005	Shaft	1				
18	7754000009	Retaining Ring	2				
19	7082000005	Bearing	2				
20	7551000034	Handle	8				
21	7701000058	Plug	4				
22	7248000053	Push-Pull Cable	8				
23	7990000003	Yoke	8				
24	4309000001	Coupling - 6 Functions Remote	3				
	4309000001	Coupling - 12 Function Remote	6				
25	7690141200	Clevis Pin	16				
26	7690000810	Cotter Pin	16				
27	7660140230	Nut, 0.25"-28NF	16				
28	7111140813	Screw, 0.25"-20NC x 1.00"	10				
29	4831000123	Spacer	1				
30	7330000199	Decal	1				
31	7330000262	Decal	1				
32	7330000200	Decal	1				
33	7330000705	Decal	1				

Eastern Wrecker Sales Inc. - www.easternwrecker.com - 913-553-4038

CONTROLS - PUSH-PULL CABLES INSTALLATION



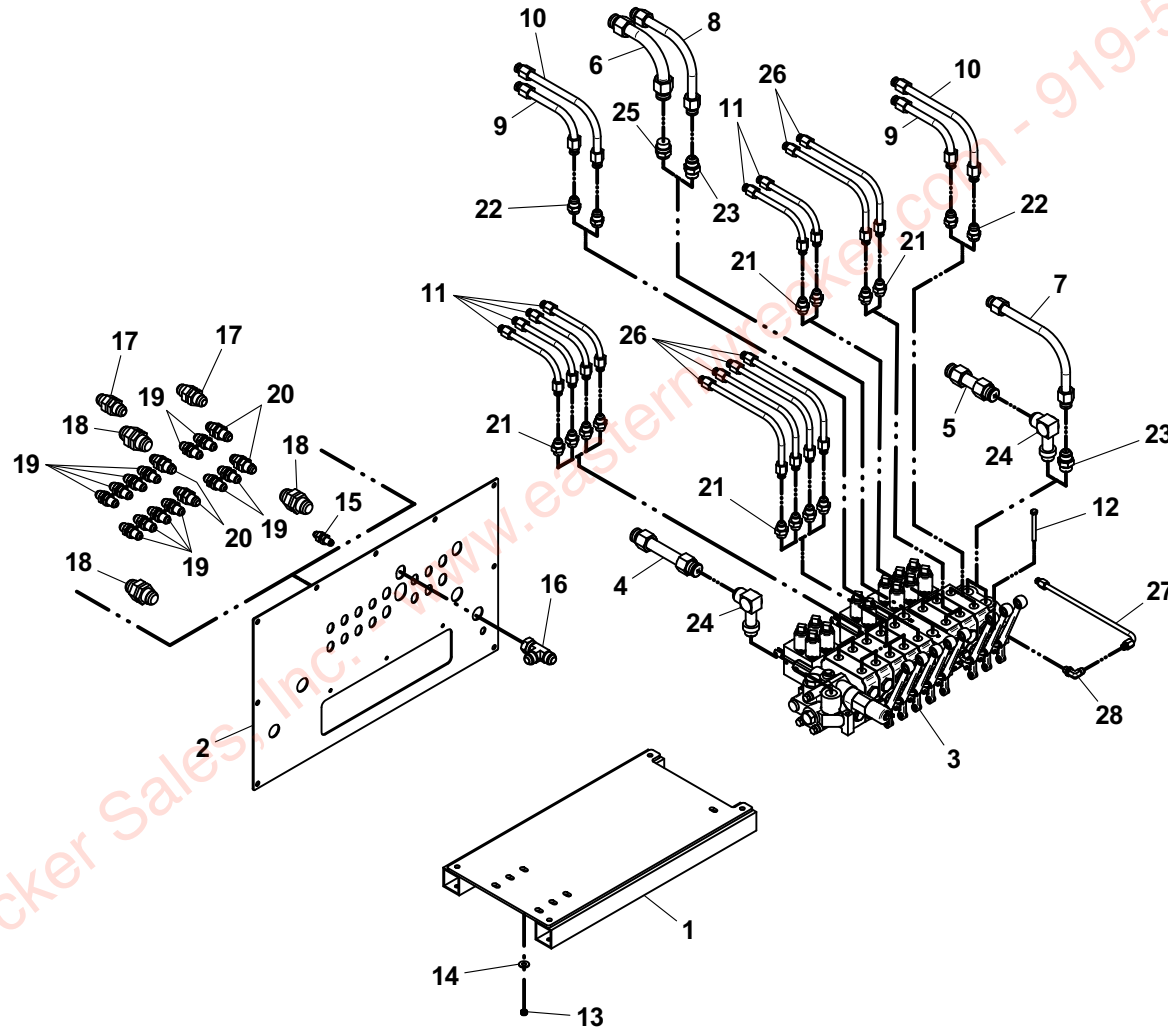
Push-Pull Cable Installation for 12 Function Remote Controller shown

CONTROLS - CONTROL VALVE ASSEMBLY

ITEM	PART NO.	DESCRIPTION	QTY
1	3177000060	Valve Mount Weldment	1
2	4706005657	Plate	1
3	3935000186	Valve Assembly - 6 Function Remote	1
	3935000187	Valve Assembly - 12 Function Remote	1
4	7912000301*	Tube Assembly	1
5	7912000302*	Tube Assembly	1
6	7912000303*	Tube Assembly	1
7	7912000304*	Tube Assembly	1
8	7912000305*	Tube Assembly	1
9	7912000306*	Tube Assembly	2
10	7912000307*	Tube Assembly	2
11	7912000308*	Tube Assembly	6
12	7115152450	Capscrew, 0.31"-18NC x 3.00"	3
13	7660152601	Locknut, 0.31"-18NC	3
14	7950140161	Flatwasher, 0.31" ID	3
15	7445060625	Fitting, Union Bulkhead	1
16	7443000012	Tee	1
17	7445121225	Fitting, Union Bulkhead	2
18	7445161625	Fitting, Union Bulkhead	3
19	7445080825	Fitting, Union Bulkhead	12
20	7445101025	Fitting, Union Bulkhead	4
21	7445081043	Adapter	12
22	7445101043	Adapter	4
23	7445121243	Adapter	2
24	7443000211	Elbow	2
25	7445151243	Adapter	1
26	7912000309*	Tube Assembly	6
27	7912000310*	Tube Assembly	1
28	7445060645	Elbow	1

* Available in Hydraulic Tubing Kit - 7577000668

CONTROLS - CONTROL VALVE ASSEMBLY

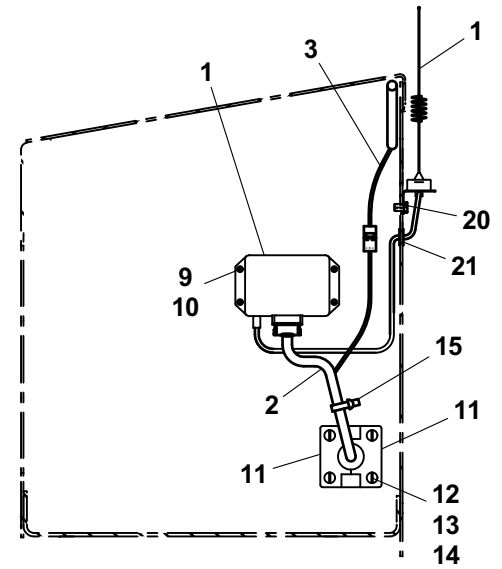
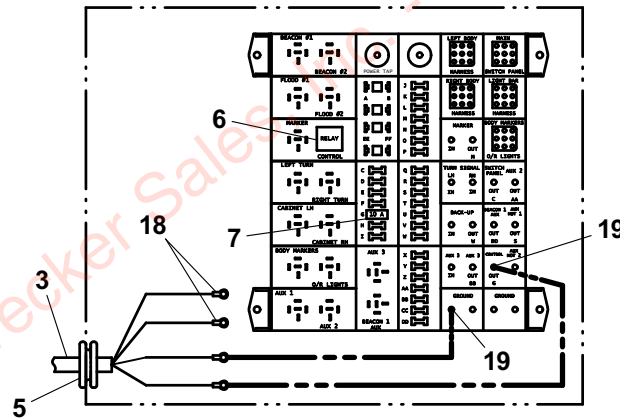
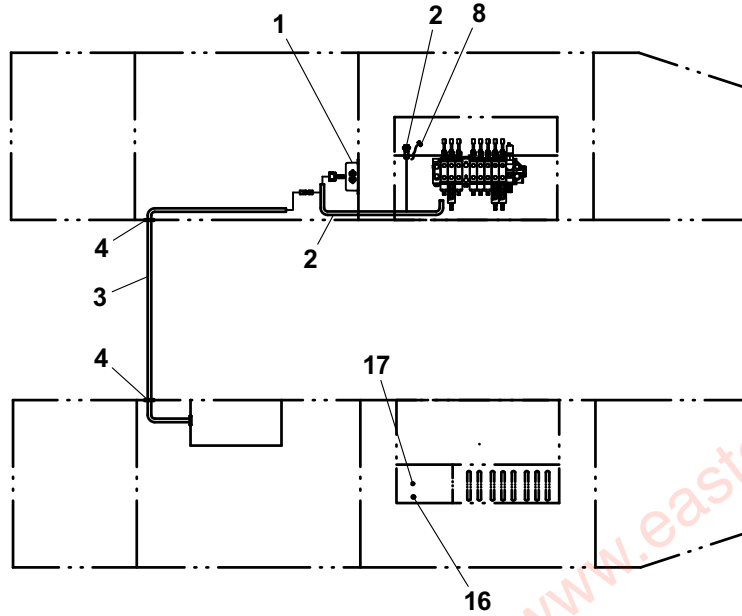


CONTROLS - 6 FUNCTION NON-PROPORTIONAL MIRATRON

ITEM	PART NO.	DESCRIPTION	QTY
1	7295000146	Antenna	1
2	7552000383	Harness	1
3	7552000148	Harness	1
4	7493000014	Grommet	2
5	7493000011	Grommet	1
6	7740000001	Relay, 40 Amp	1
7	7457000011	Relay, 40 Amp	1
8	7346000068	Dust Cap	1
9	7114100518	Capscrew, #10-24NC x 0.63"	4
10	7660102604	Locknut, #10-24NC	4
11	3314000010	Coverplate	2
12	7950140161	Flatwasher, 0.25" ID	8
13	7660142601	Locknut, 0.25"-20NC	4
14	7111140613	Screw, 0.25"-20NC x 0.75"	4
15	5526000553	Tie Strap	5
16	7701000007	Plug	1
17	7701000032	Plug	1
18	7346000039	Tubing, Heat Shrink	12in
19	7661000023	Locknut, #10-32NF	2
20	7790100856	Screw, Self Tapping - #10 Dia x 0.50"	3
21	7493000020	Grommet	1

Eastern Wrecker Sales, Inc. - www.easternwrecker.com - 919-553-4038

CONTROLS - 6 FUNCTION NON-PROPORTIONAL MIRATRON

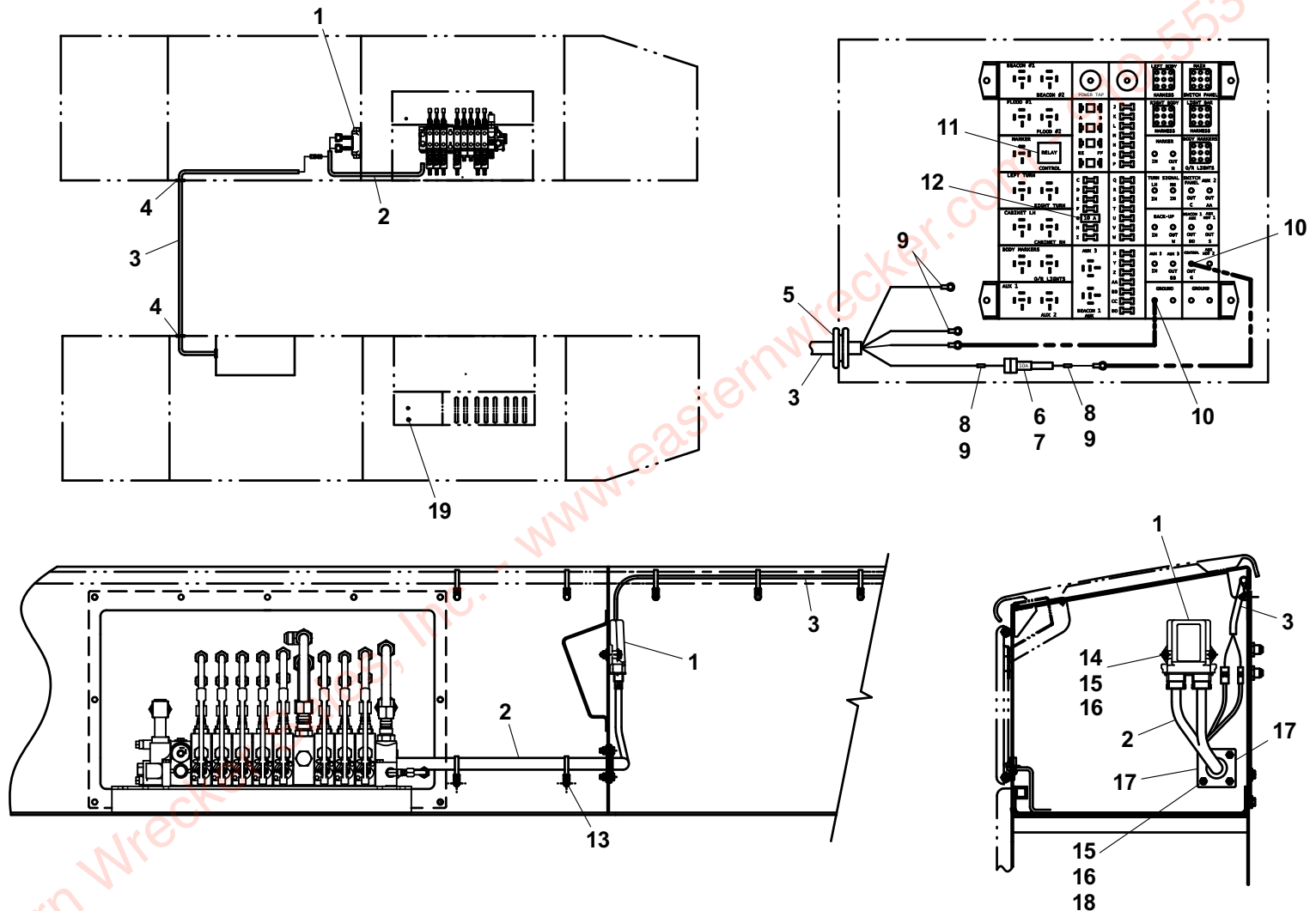


CONTROLS - 12 FUNCTION NON-PROPORTIONAL MIRATRON

ITEM	PART NO.	DESCRIPTION	QTY
1	7295000124	Remote Controller	1
2	7552000371	Harness	1
3	7552000148	Harness	1
4	7493000014	Grommet	2
5	7493000011	Grommet	1
6	7346000029	In-Line Fuse Holder	1
7	7457000008	Fuse - 10 Amp	1
8	7345001714	Electrical Terminal	2
9	7346000039	Tubing, Heat Shrink	12in
10	7661000023	Locknut, #10-32NF	2
11	7740000001	Relay, 40 Amp	1
12	7457000006	Fuse - 15 Amp	1
13	7894000042	Tie Strap	2
14	7115141250	Capscrew, 0.25"-20NC x 1.50"	2
15	7950140161	Flatwasher, 0.25" ID	12
16	7660142600	Locknut, 0.25"-20NC	6
17	3314000010	Coverplate	2
18	7115140650	Capscrew, 0.25"-20NC x 0.75"	4
19	7701000007	Plug	1
20	5526000553	Tie Strap	5

Eastern Wrecker Sales, Inc. - www.easternwrecker.com - 919-553-4038

CONTROLS - 12 FUNCTION NON-PROPORTIONAL MIRATRON

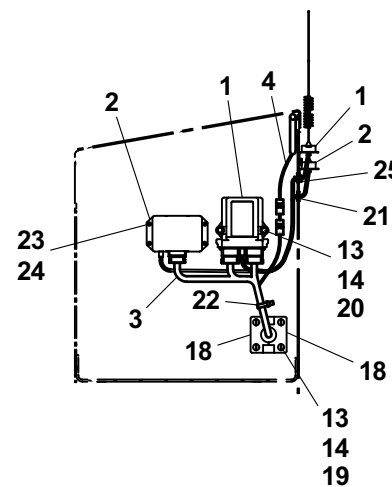
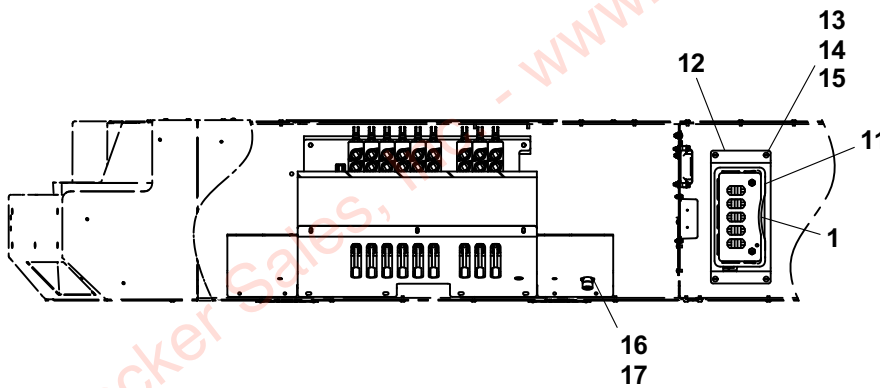
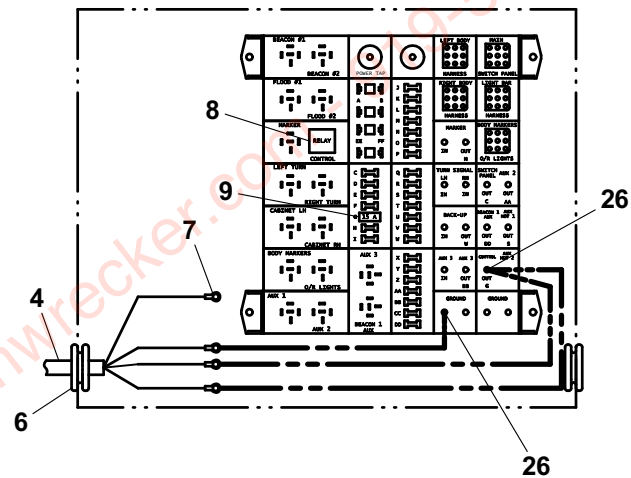
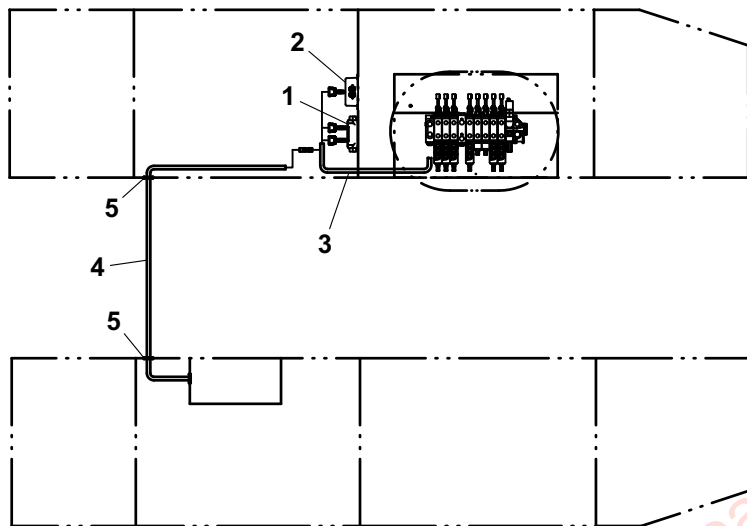


Item #20, not shown

CONTROLS - 12 FUNCTION PROPORTIONAL MIRATRON

ITEM	PART NO.	DESCRIPTION	QTY
1	7295000148	Remote Controller	1
2	7295000146	Antenna	1
3	7552000433	Harness	1
4	7552000148	Harness	1
5	7493000014	Grommet	2
6	7493000011	Grommet	1
7	7346000039	Tubing, Heat Shrink	12in
8	7740000001	Relay, 40 Amp	1
9	7457000006	Fuse - 15 Amp	1
10	7894000004	Tie Strap	1
11	8632000012	Trim	30in
12	4178000699	Bracket	1
13	7950140161	Flatwasher, 0.25" ID	12
14	7660142601	Locknut, 0.25"-20NC	10
15	7111140813	Screw, 0.25-20NC x 1.00"	4
16	7120000047	Screw, #4-40NC x 0.63"	2
17	7660040000	Nut, #4-40NC	2
18	3314000010	Coverplate	2
19	7111140613	Screw, 0.25"-20NC x 0.75"	4
20	7115141250	Capscrew, 0.25"-20NC x 1.50"	2
21	7493000020	Grommet	2
22	5526000553	Tie Strap	5
23	7114100518	Capscrew, #10-24NC x 0.63"	4
24	7660102604	Locknut, #10-24NC	4
25	7790100856	Screw, 0.25"-20NC x 0.75"	6
26	7661000023	Locknut, #10-32NF	2
27	7075000006	Battery	3
28	7075000003	Battery	1

CONTROLS - 12 FUNCTION PROPORTIONAL MIRATRON



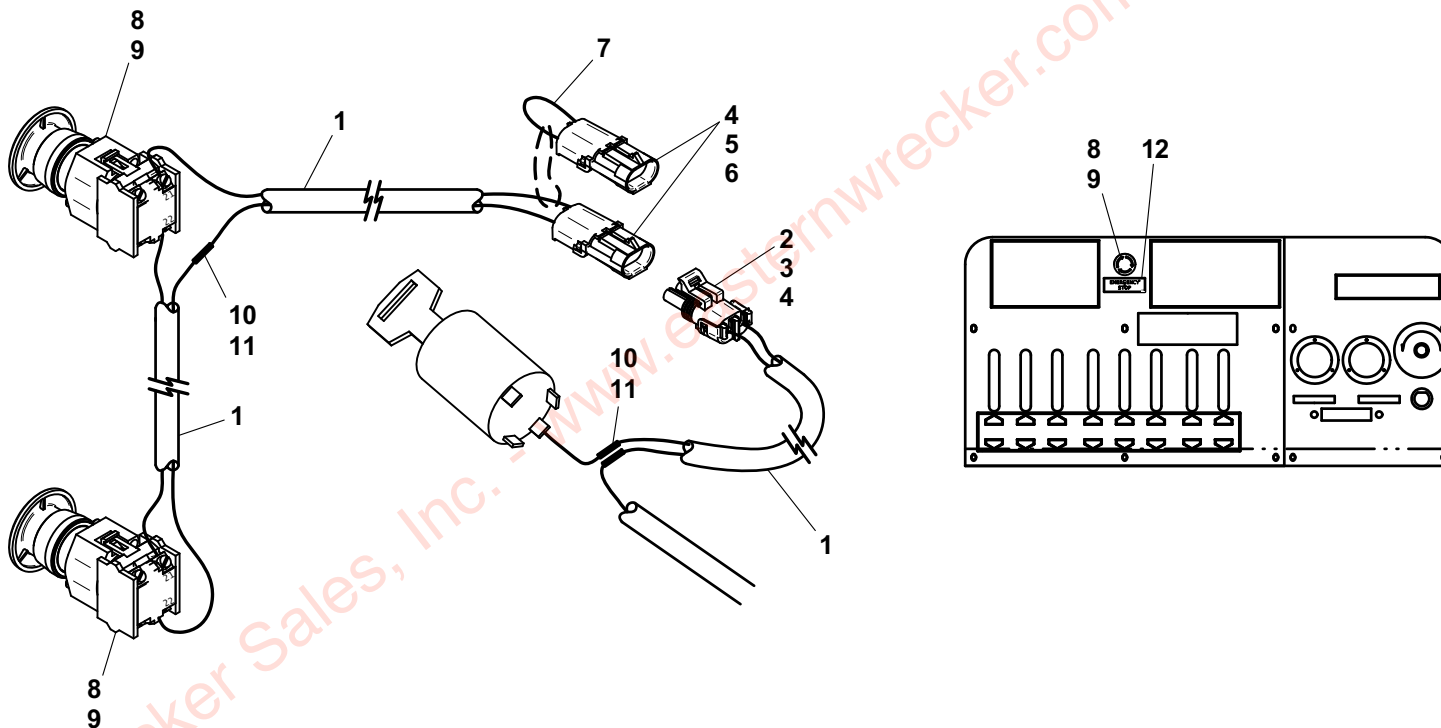
Items #10, #27 and #28, not shown

CONTROLS - ELECTRICAL EMERGENCY STOP

ITEM	PART NO.	DESCRIPTION	QTY
1	8977010103	Wire, 16GA. - 2 Conductor	40ft
2	7346000094	Electrical Connector	1
3	7346000035	Electrical Terminal	2
4	7346000037	Seal, Cable	6
5	7346000087	Electrical Connector	2
6	7346000099	Electrical Terminal	4
7	8977500100	Wire, 16GA. Black	3in
8	7870000128	Switch, Emergency Pushbutton	2
9	7870000128	Switch, Emergency Contact Block	2
10	7345001704	Electrical Terminal	3
11	7346000039	Tubing, Heat Shrink	6in
12	7330000755	Decal	2
13	5526000553	Tie Strap	1

Eastern Wrecker Sales, Inc. - www.easternwrecker.com - 919-553-4038

CONTROLS - ELECTRICAL EMERGENCY STOP



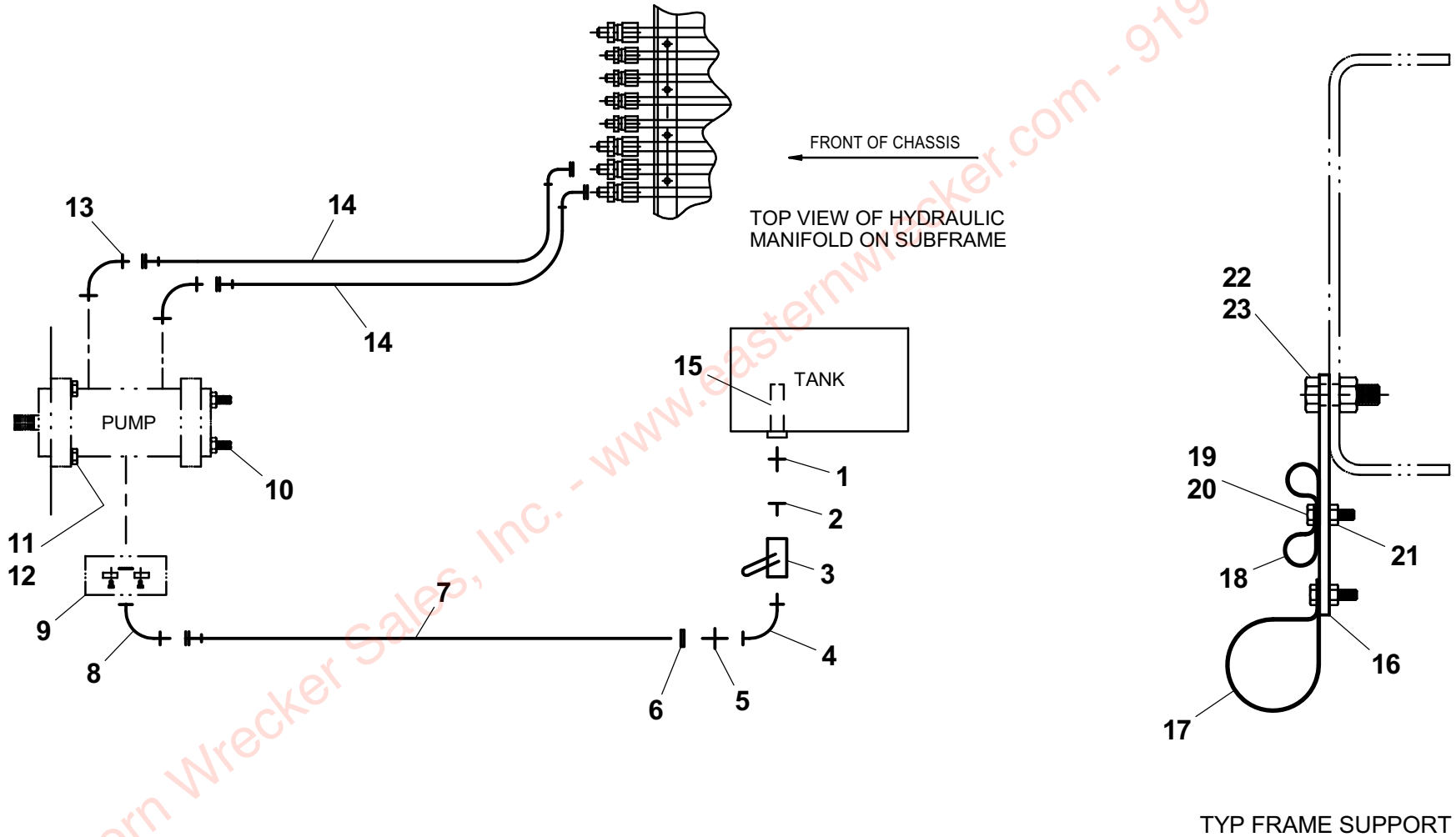
Item #13, not shown

HYDRAULICS - SUPPLY-PRESSURE-RETURN

ITEM	PART NO.	DESCRIPTION	QTY
1	7650100137	Pipe Nipple	1
2	7444121050	Reducer	1
3	7635000116	Valve, Ball	1
4	7444121271	Elbow	1
5	7443000130	Fitting	1
6	7274000028	Clamp	1
7	See Note 1	Hose - Supply	1
8	7443000222	Fitting	1
9	7577000213	Split Flange	1
10	7724000044	Pump	1
11	7115181050	Capscrew, 0.50"-13NC x 1.25"	2
12	7950180000	Lockwasher, 0.50" ID	2
13	7445121645	Elbow	2
14	See Note 1	Hose - Pressure	2
15	7430000010	Filter, Tank	1
16	4706003844	Plate	5
17	7274000071	Clamp	5
18	7274000040	Clamp	10
19	7115140850	Capscrew, 0.25"-20NC x 1.00"	10
20	7950140152	Flatwasher, 0.25" ID	10
21	7660142601	Locknut, 0.25"-20NC	10
22	7115181250	Capscrew, 0.50"-13NC x 1.50"	5
23	7660000011	Locknut, 0.50"-13NC	5
24	4178000248	Bracket	1

Note 1: Varies depending on chassis, transmission and PTO type.
Consult factory for part numbers.

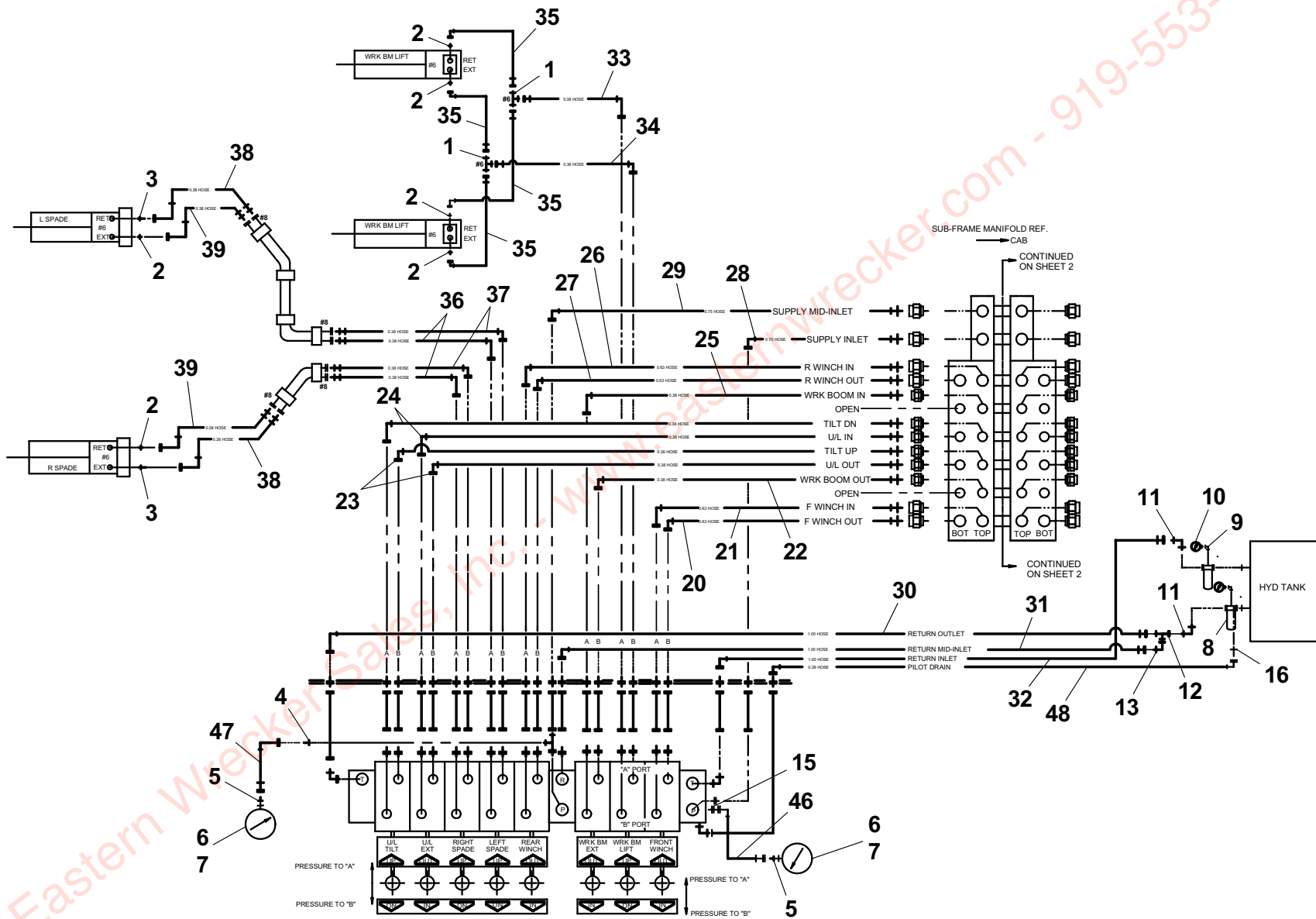
HYDRAULICS - SUPPLY-PRESSURE-RETURN



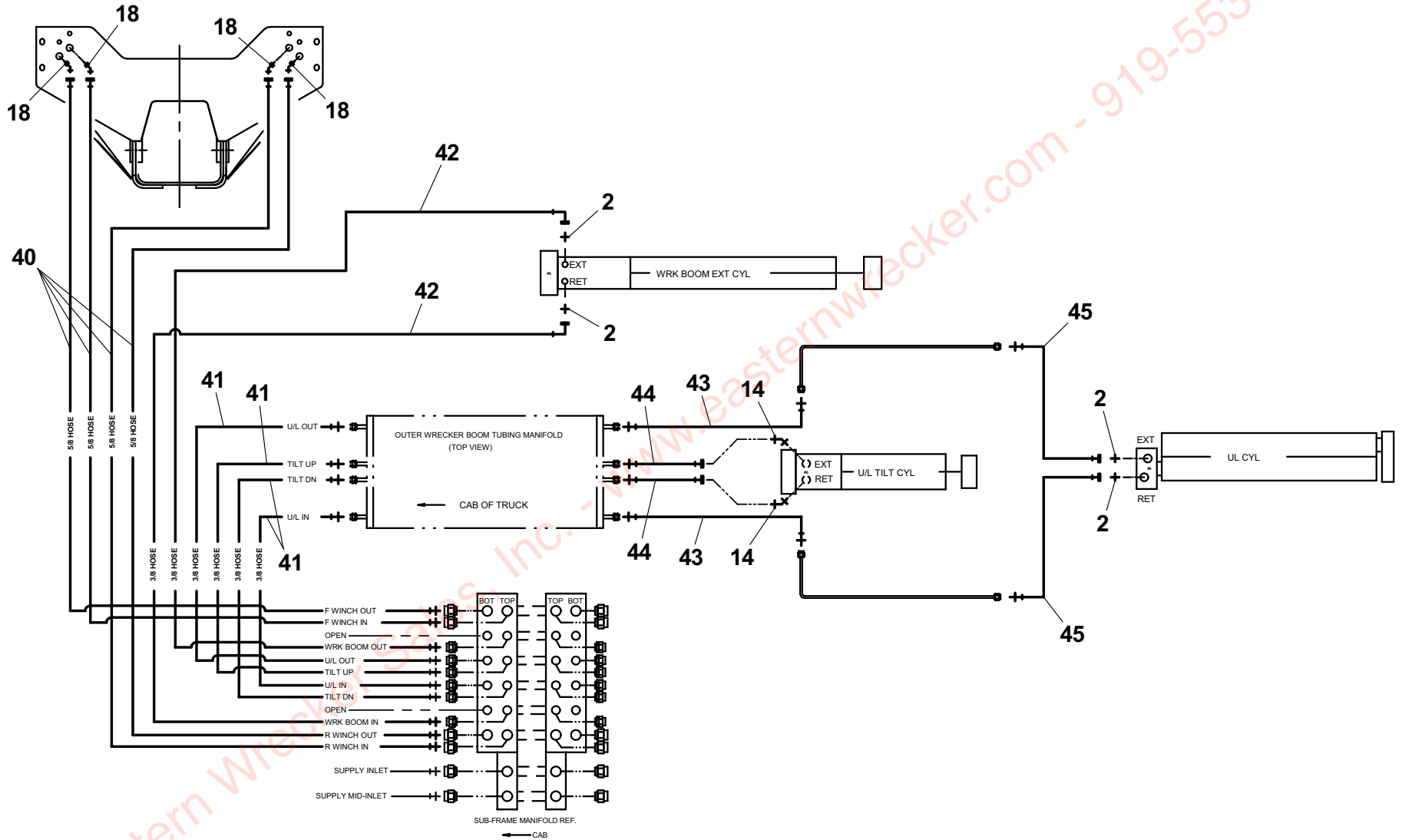
HYDRAULICS - LINES AND FITTINGS

ITEM	PART NO.	DESCRIPTION	QTY	ITEM	PART NO.	DESCRIPTION	QTY
1	7445060637	Tee	2	36	4569133033	Hose Assembly	2
2	7445060643	Adapter	10	37	4569132028	Hose Assembly	2
3	7443000109	Adapter	2	38	4570000138	Hose Assembly	2
4	7443000207	Reducer	1	39	4570000137	Hose Assembly	2
5	7445040421	Fitting	2	40	4569160048	Hose Assembly	4
6	7470000004	Gauge	2	41	4570000267	Hose Assembly	4
7	7790060676	Screw, #6 x 0.38"	6	42	4570000255	Hose Assembly	2
8	7430000004	Filter	2	43	4570000108	Hose Assembly	2
9	7443000150	Adapter	2	44	4570000256	Hose Assembly	2
10	7470000002	Gauge, Oil	2	45	4570000254	Hose Assembly	2
11	7445161620	Elbow	2	46	4567112024	Hose Assembly	1
12	7443000213	Tee	1	47	4567113028	Hose Assembly	1
13	7445161672	Elbow	1	48	4570000315	Hose Assembly	1
14	7445060646	Elbow	2	49	4567152024	Hose Assembly	1
15	7445040443	Adapter	1	50	4567152018	Hose Assembly	1
16	7445060219	Adapter	1	51	4570000106	Hose Assembly	1
17	7445100843	Adapter	4				
18	7445101032	Adapter	4				
19	4570000107	Hose Assembly	1				
20	4569162040	Hose Assembly	1				
21	4569163042	Hose Assembly	1				
22	4569132042	Hose Assembly	1				
23	4569132052	Hose Assembly	2				
24	4569133056	Hose Assembly	2				
25	4569133050	Hose Assembly	1				
26	4569163048	Hose Assembly	1				
27	4569162046	Hose Assembly	1				
28	4569173051	Hose Assembly	1				
29	4569173054	Hose Assembly	1				
30	4567183070	Hose Assembly	1				
31	4567182057	Hose Assembly	1				
32	4567182044	Hose Assembly	1				
33	4570000259	Hose Assembly	1				
34	4570000260	Hose Assembly	1				
35	4567122017	Hose Assembly	4				

HYDRAULICS - LINES AND FITTINGS



HYDRAULICS - LINES AND FITTINGS



HYDRAULICS - LINES AND FITTINGS



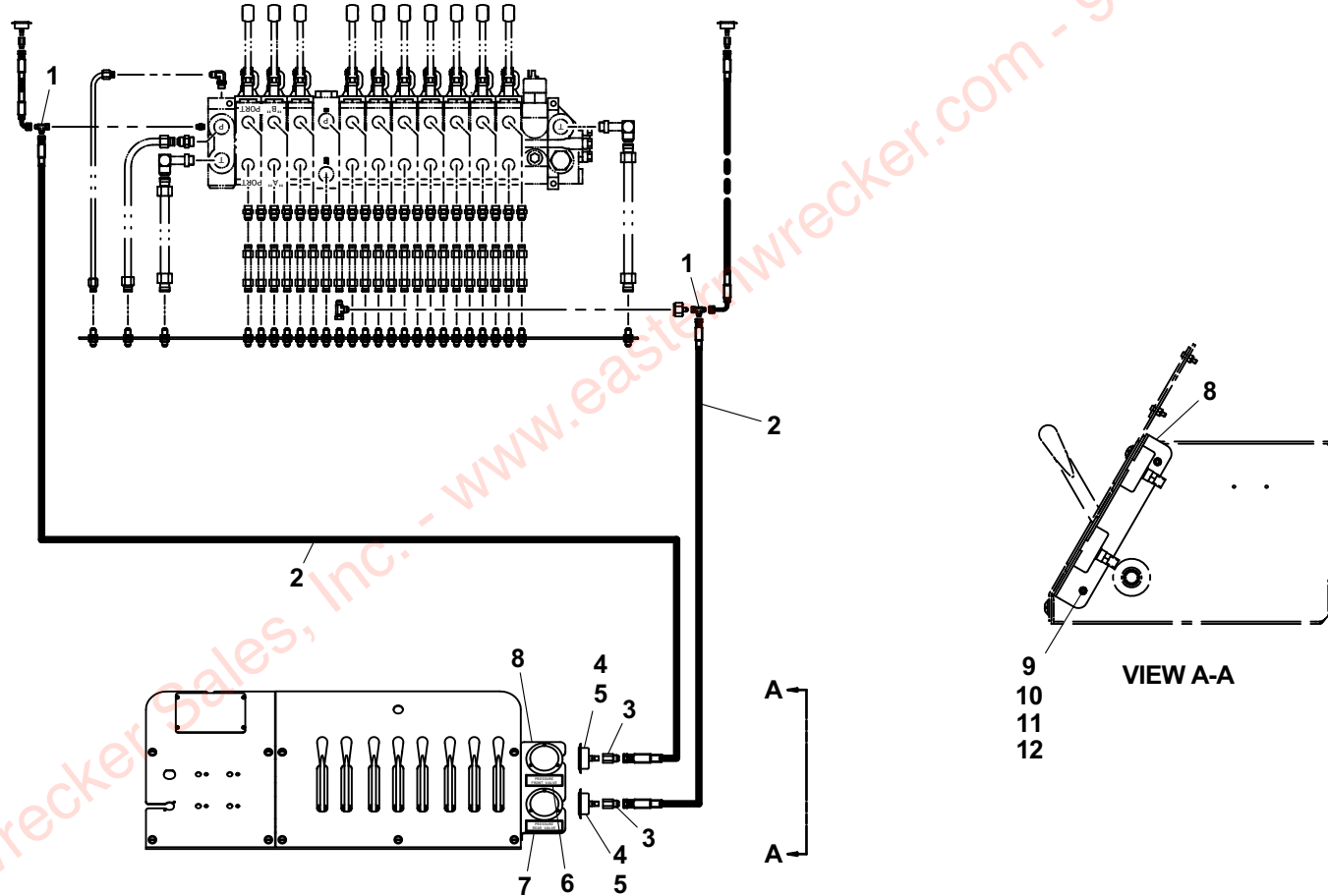
PLANETARY WINCH

DRIVER SIDE HYDRAULIC PRESSURE GAUGES

ITEM	PART NO.	DESCRIPTION	QTY
1	7443000026	Tee	2
2	4567110141	Hose Assembly	2
3	7445040421	Fitting	2
4	7470000004	Gauge, Pressure	2
5	7790060676	Screw, #6 x 0.38"	6
6	7330000257	Decal - Pressure Front Valve	1
7	7330000256	Decal - Pressure Rear Valve	1
8	4178000858	Bracket	1
9	7413000002	Nutsert, 0.25"-20 NC	2
10	7950140161	Flatwasher, 0.25" ID	2
11	7950140000	Lockwasher, 0.25" ID	2
12	7114140618	Capscrew, 0.25"-20NC x 0.75"	2

Eastern Wrecker Sales, Inc. - www.easternwrecker.com - 919-553-4038

DRIVER SIDE HYDRAULIC PRESSURE GAUGES

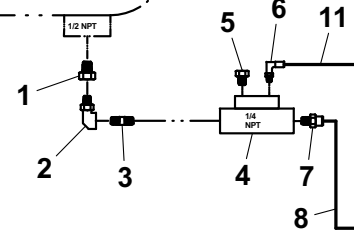


DRIVER & PASSENGER SIDE WINCH AIR CONTROLS - DP 25K & 35K

ITEM	PART NO.	DESCRIPTION	QTY
1	7443000154	Bushing	1
2	7443000155	Elbow	1
3	7443000156	Nipple	1
4	7935000120	Valve, Pressure Protection	1
5	7443000152	Plug	5
6	7443000139	Elbow	5
7	7443000175	Fitting	2
8	7565000014	Airline, Tubing 0.38 OD	25ft
9	7446502518	Fitting, Bulkhead	1
10	7312000017	Coupling	1
11	7565000016	Airline, Tubing 0.25 OD	150ft
12	7443000178	Union	15
13	7443000329	Fitting	4
14	7443000173	Elbow	12
15	7935000351	Valve, Air	4
16	7295000029	Air Regulator	1
17	7470000006	Gauge, Air Pressure	1
18	7443000174	Tee	1
19	7443000146	Elbow	1
20	4619000005	Manifold	1
21	7115142450	Capscrew, 0.25"-20NC x 3.00"	2
22	7660142601	Locknut, 0.25"-20NC	2
23	7950140161	Flatwasher, 0.25" ID	4
24	7443000287	Tee	2
25	7443000456	Fitting, Bulkhead	2
26	7444020014	Plug	4
28	7330000737	Decal - Front Winch Freespool	2
29	7330000738	Decal - Rear Winch Freespool	2

DRIVER & PASSENGER SIDE WINCH AIR CONTROLS - DP 25K & 35K

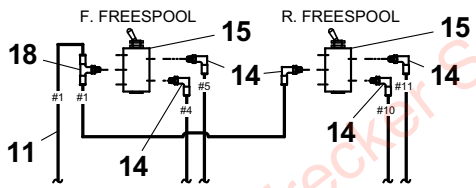
! CAUTION !
AIR TANK MUST BE EVACUATED BEFORE
INSTALLING AIR CIRCUIT



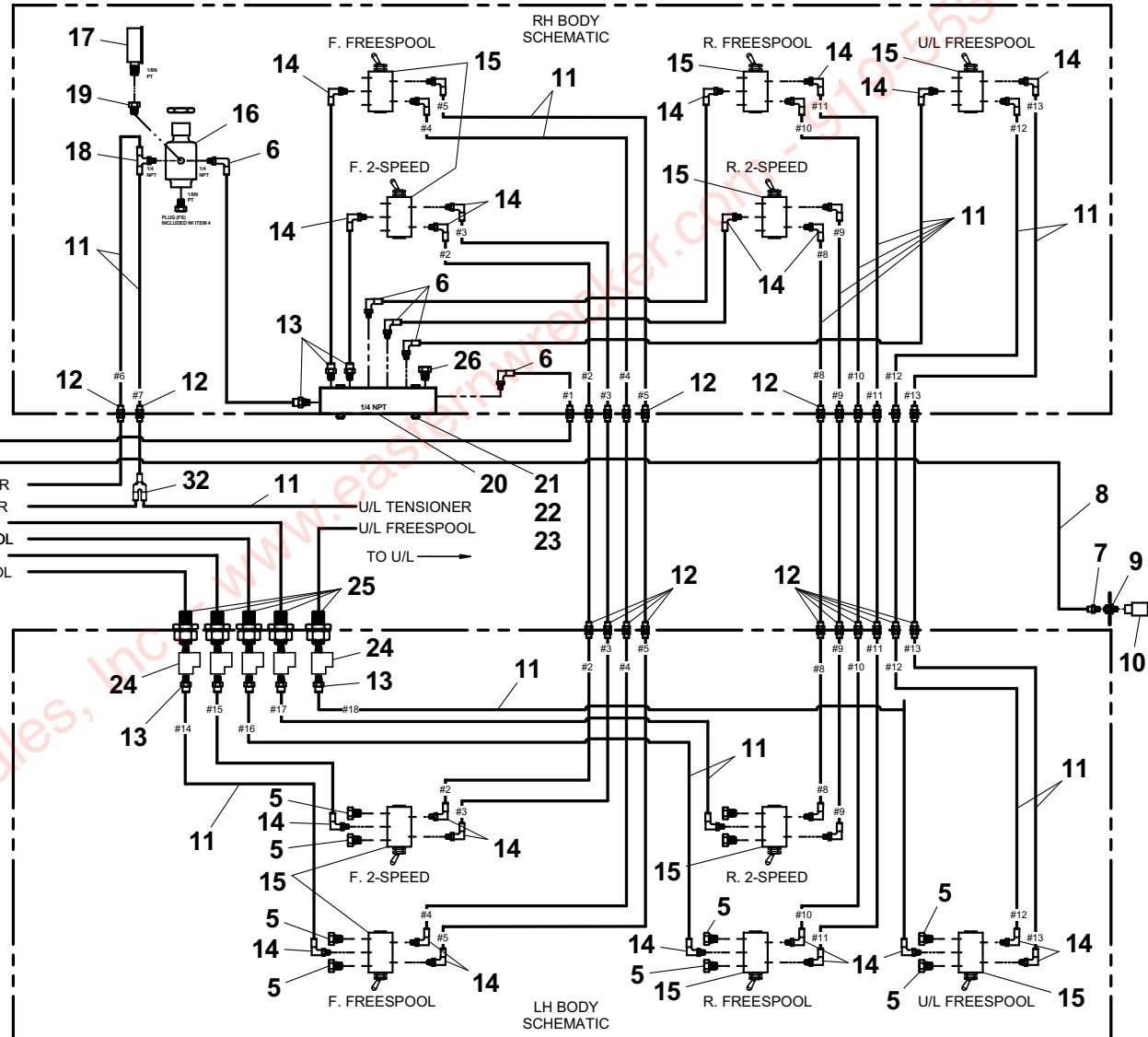
← TO WRECKER BOOM

- R. TENSIONER
- F. TENSIONER
- R. 2-SPEED
- R. FREESPOOL
- F. 2-SPEED
- F. FREESPOOL

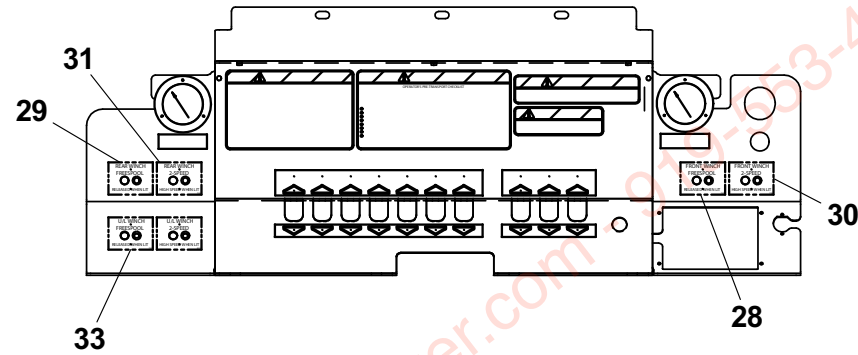
- U/L TENSIONER
- U/L FREESPOOL
- TO U/L →



ALTERNATE RH BODY SCHEMATIC
(WORM OPTION)

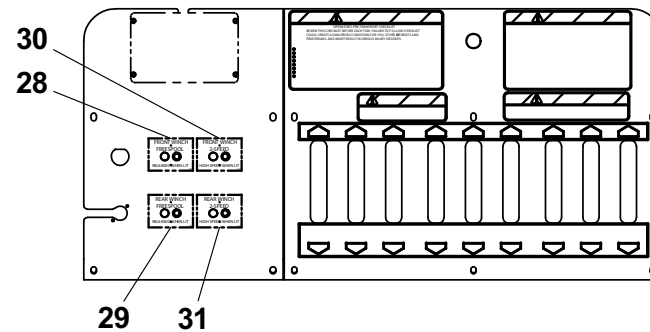
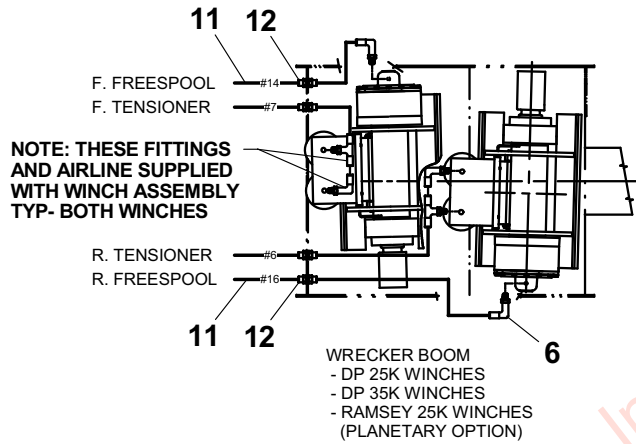


DRIVER & PASSENGER SIDE WINCH AIR CONTROLS - DP 25K & 35K



RH CONTROL STATION

DECAL INSTALLATION
30-60 TON, 8-10 SECT VALVES



LH CONTROL STATION

DECAL INSTALLATION
25-60 TON, 8 & 9 SECT VALVES

Eastern Wrecker Sales, Inc. - www.easternwrecker.com 915-533-4038

THIS PAGE INTENTIONALLY LEFT BLANK

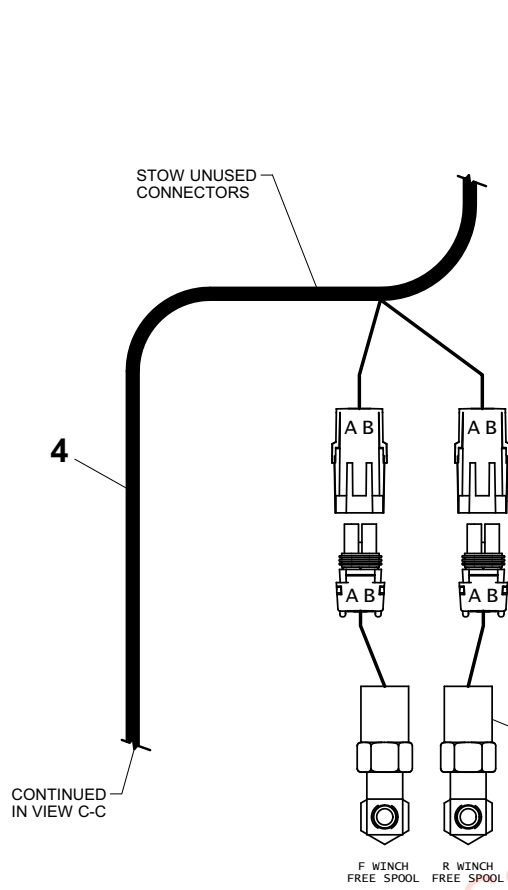
Eastern Wrecker Sales, Inc. - www.easternwrecker.com - 919-553-4038

WINCH ELECTRIC FREE SPOOL CONTROLS - DP 25K & 35K

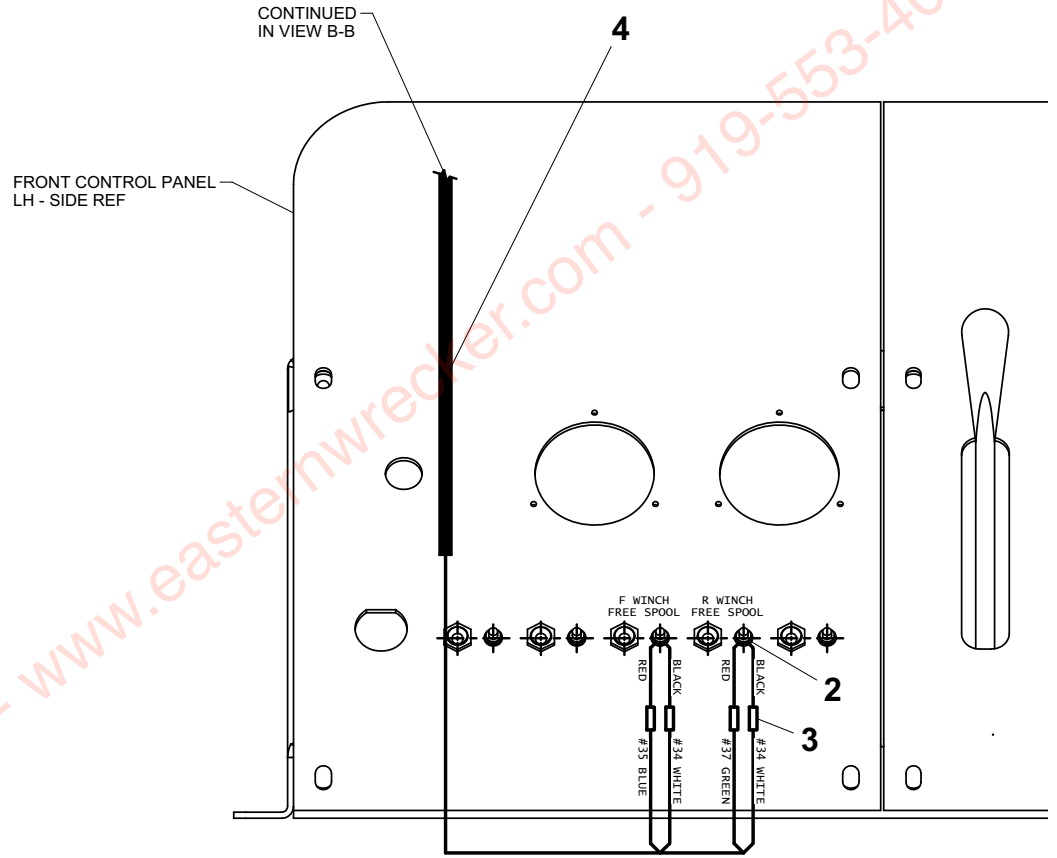
ITEM	PART NO.	DESCRIPTION	QTY
1	7870000136	Pressure Switch	2
2	7590000364	Light	4
3	7346000039	Tubing, Heat Shrink	6in
4	7552000414	Harness	1
5	7552000415	Harness	1
6	7457000019	Fuse, 5 Amp	1

Eastern Wrecker Sales, Inc. - www.easternwrecker.com - 919-553-4038

WINCH ELECTRIC FREE SPOOL CONTROLS - DP 25K & 35K

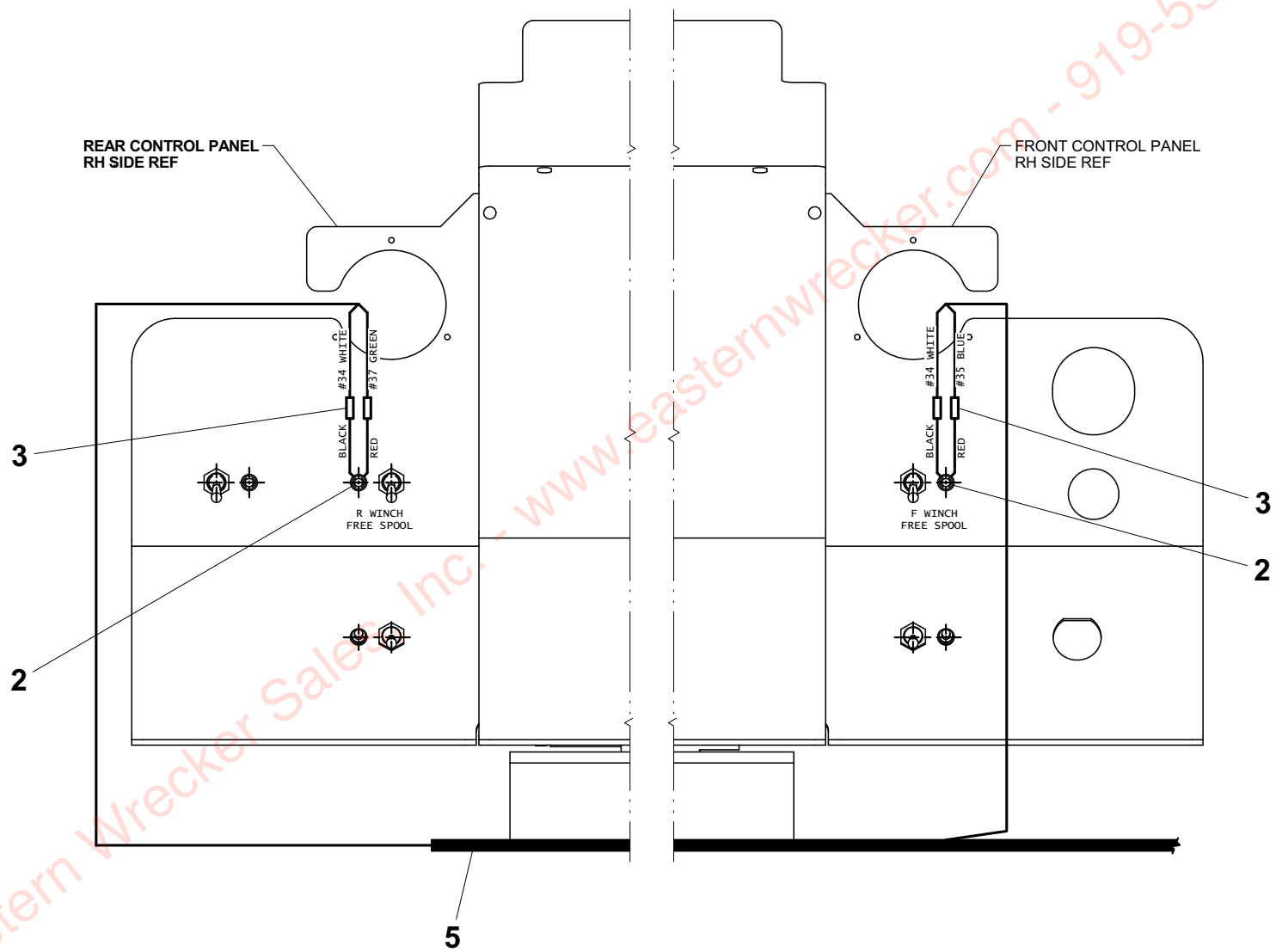


VIEW B-B
PRESSURE SWITCH CONNECTIONS



VIEW C-C
LH CONTROL STATION

WINCH ELECTRIC FREE SPOOL CONTROLS - DP 25K & 35K



VIEW D-D

RH CONTROL STATION

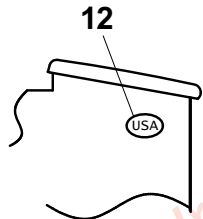
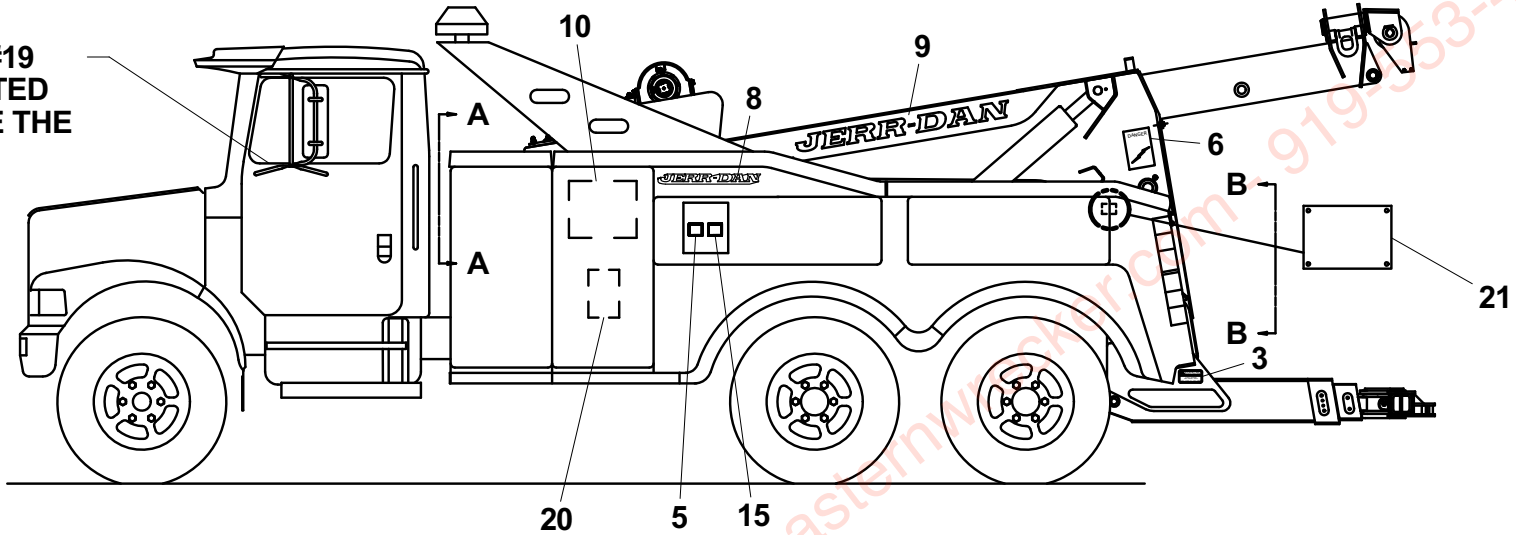
DECALS

ITEM	PART NO.	DESCRIPTION	QTY
1	7330000211	Decal - Safety Chains	1
2	7330000122	Decal - Wheel Lift	1
3	7330000599	Decal - Moving Parts	2
4	7330000192	Decal - Wheel Lift	2
5	7330000202	Decal - Shock Warning	1
6	7330000203	Decal - Shock Warning	2
7	7330000034	Decal - Wheel Lift	1
8	7330000108	Decal - Jerr-Dan Nameplate	2
9	7330000294	Decal - Jerr-Dan (Red)	2
	7330000535	Decal - Jerr-Dan (White)	
10	7330000297	Decal - Lubrication	1
11	1001132327	Decal - Serial Number/Rating Placard	1
12	7330000143	Decal - Made In The USA	1
13	7759000004	Pop Rivet	10
14	1001132346	Decal - Patent	1
15	7330000426	Decal - Fuse Panel Schematic	1
16	7330000208	Decal - Service Air	1
17	7330000209	Decal - Supply Air	1
18	7330000210	Decal - Auxiliary Air	1
19	7330000139	Decal - Checklist Reminder	1
20	7330000298	Decal - Lubrication	1
21	1001127220	Decal - Serial Number Placard	1

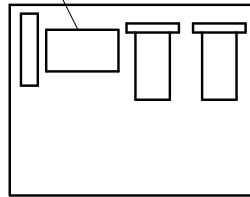
Eastern Wrecker Sales, Inc. - www.easternwrecker.com - 919-553-4038

DECALS

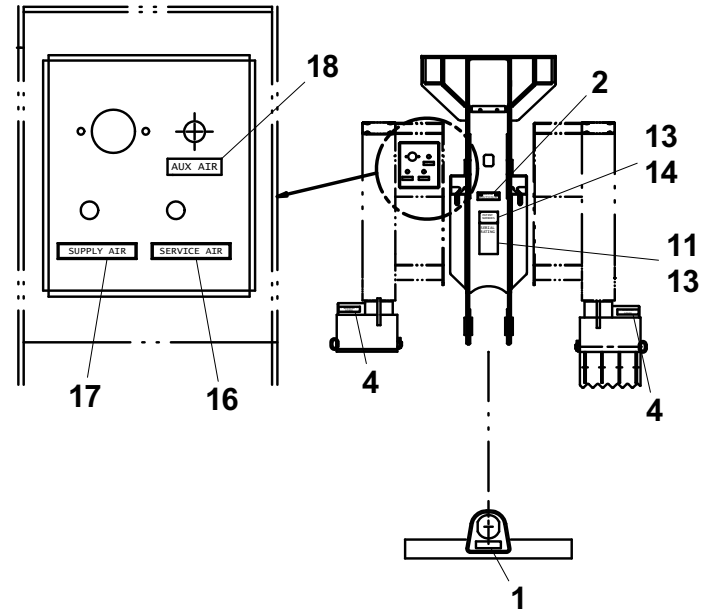
ITEM #19
LOCATED
INSIDE THE
CAB.



VIEW A-A



HYDRAULIC TANK
LOOKING FROM REAR



VIEW B-B

THIS PAGE INTENTIONALLY LEFT BLANK

Eastern Wrecker Sales, Inc. - www.easternwrecker.com - 919-553-4038

Eastern Wrecker Sales, Inc. - www.easternwrecker.com - 919-553-4038



5376000157-0