

**SIDE RECOVERY SYSTEM  
(WRECKER)  
PARTS MANUAL**

***JERR-DAN***<sup>®</sup>

An Oshkosh Corporation Company

1080 Hykes Road  
Greencastle, PA 17225  
Phone (717) 597-7111  
[www.jerr-dan.com](http://www.jerr-dan.com)

5-376-000115  
Rev 0 - May 01, 2008

© 2008 Jerr-Dan Corporation. All Rights Reserved.

This manual covers the following Jerr-Dan Models:

SRS-W25S	Side Recovery System (25,000 lb)
SRS-W35S	Side Recovery System (35,000 lb)

Jerr-Dan Corporation strives to provide information that is accurate, complete and useful. Descriptions and illustrative material contained within this manual are as accurate as known at the time of publication and are subject to change, without notice, as a result of continuous product improvements. Jerr-Dan reserves the right to amend the information in this document at any time without prior notice.

Information contained in this manual reflects how this vehicle was built at the factory. Modifications or additions by the distributor or owner are not reflected in this manual.

This parts manual does not include service parts information for the commercial chassis (IHC, Ford, GM, etc.). That information is provided by the chassis manufacturer.

When ordering parts, please refer to your unit's Sales Order Number, Serial Number and Model Number. This information is found on the aluminum tag riveted to the frame crossmember of the Side Recovery System as shown below:

MANUFACTURED BY  
**JERR-DAN**  
An Oshkosh Corporation Company

SERIAL NO. [ ] MODEL NO. [ ]

STRUCTURAL CAPACITY: [ ] LBS. IDENT. NO. [ ]

WINCH RATING: [ ] LBS. WIRE ROPE WORKING LIMIT: [ ] LBS.

DO NOT EXCEED THE ABOVE STRUCTURAL RATINGS AND CAPACITIES.  
SAFETY IS NO ACCIDENT. FOLLOW ALL INSTRUCTIONS ON CONTROLS AND UNIT.  
PATENT PENDING 710

Additional or replacement manuals can be ordered by calling Jerr-Dan Parts at 717-597-7111. Price and availability will be quoted at time of the request.

Please report comments and/or errors by contacting Jerr-Dan Corporation's Technical Publications Department by e-mail at [technicalpublications@jerr-dan.com](mailto:technicalpublications@jerr-dan.com) or by FAX on 717-593-2362.

Patents Pending.

Jerr-Dan and the Jerr-Dan logo are registered trademarks and Run Hard is a service mark of Jerr-Dan Corporation, Greencastle, PA USA.

The material in this document is confidential and the property of Jerr-Dan Corporation. No part of this document may be photocopied, reproduced or translated to another language without the express written consent of Jerr-Dan Corporation.

# INDEX

<u>DESCRIPTION</u>	<u>PAGE</u>
Frame .....	4 - 5
Stabilizer .....	6 - 7
Pivoting Recovery Boom .....	8 - 9
Planetary Gear Winch .....	10 - 11
Sheave Assembly .....	12 - 13
Hydraulic Components .....	14 - 17
Manifold Valve .....	18 - 19
Electrical Components .....	20 - 21
Air Components .....	22 - 23
Control Coverplate .....	24 - 25
Tool Compartment Installation .....	26 - 27
Tool Compartment - LH .....	28 - 29
Tool Compartment - RH .....	30 - 31
Carrier Bearing Bracket Rework .....	32 - 33
Winch Cable Assembly .....	34 - 35
Decals .....	36 - 37

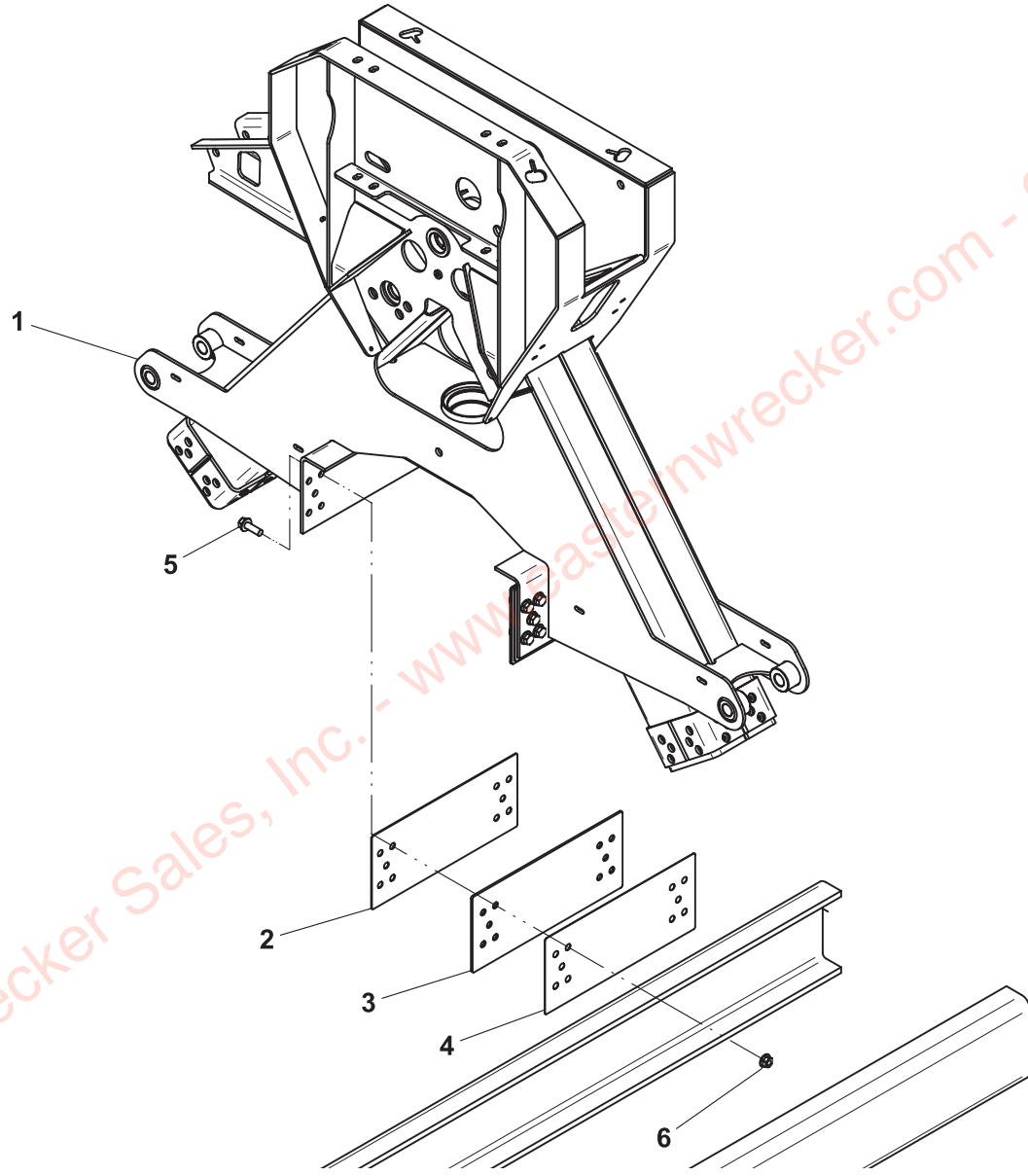
Eastern Wrecker Sales, Inc. - www.easternwrecker.com - 919-553-4038

**FRAME**

ITEM	PART NO.	DESCRIPTION	QTY
1	3455000055	Frame Weld	1
2	4811001136	Spacer, 0.12"	A/R
3	4811001137	Spacer, 0.06"	A/R
4	4706005760	Spacer, 0.25"	A/R
5	7118221816	Capscrew, 0.75"-10NC x 2.25"	12
6	7660222308	Locknut, 0.75"-10NC	12

Eastern Wrecker Sales, Inc. - www.easternwrecker.com - 919-553-4038

# FRAME

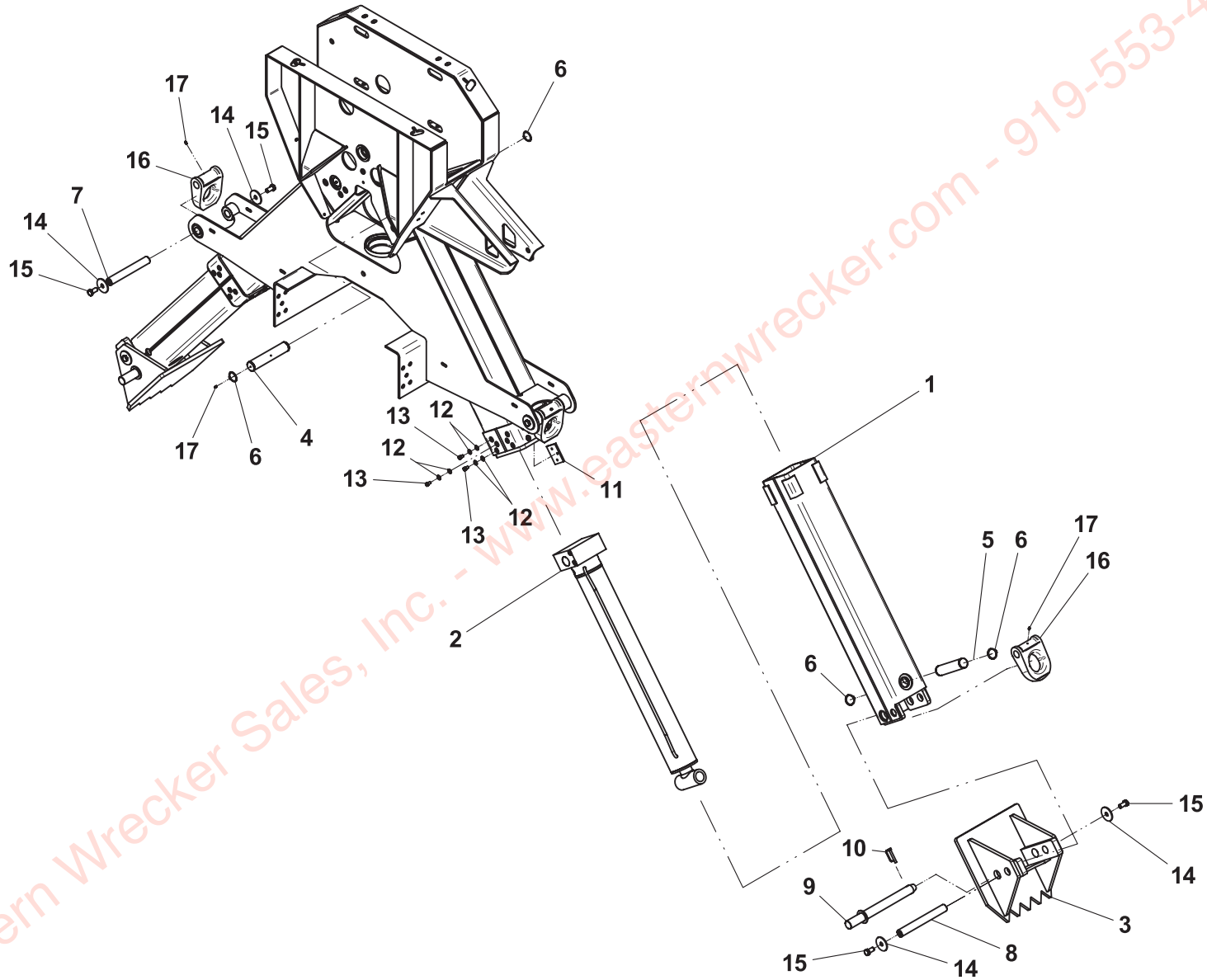


**STABILIZER**

ITEM	PART NO.	DESCRIPTION	QTY
1	3263000133	Inner Boom Weld	2
2	3320000233	Cylinder Assembly	2
3	3706000366	Spade Weld	2
4	4691000576	Pin	2
5	4691000577	Pin	2
6	7754000048	Retaining Ring	8
7	4691000581	Pin	2
8	4691000582	Pin	2
9	3691000263	Pin Weld	2
10	7691000025	Quick Pin	2
11	4679000291	Wear Pad	16
12	7950170142	Flatwasher, 0.44" ID	2
13	7118170650	Capscrew, 0.44"-14NC x 0.75"	48
14	7949000018	Washer	8
15	7115221250	Capscrew, 0.75"-10NC x 1.50"	8
16	4754000004	D-Ring	4
17	7440030000	Grease Fitting	6

Eastern Wrecker Sales, Inc. - www.easternwrecker.com - 919-553-4038

# STABILIZER



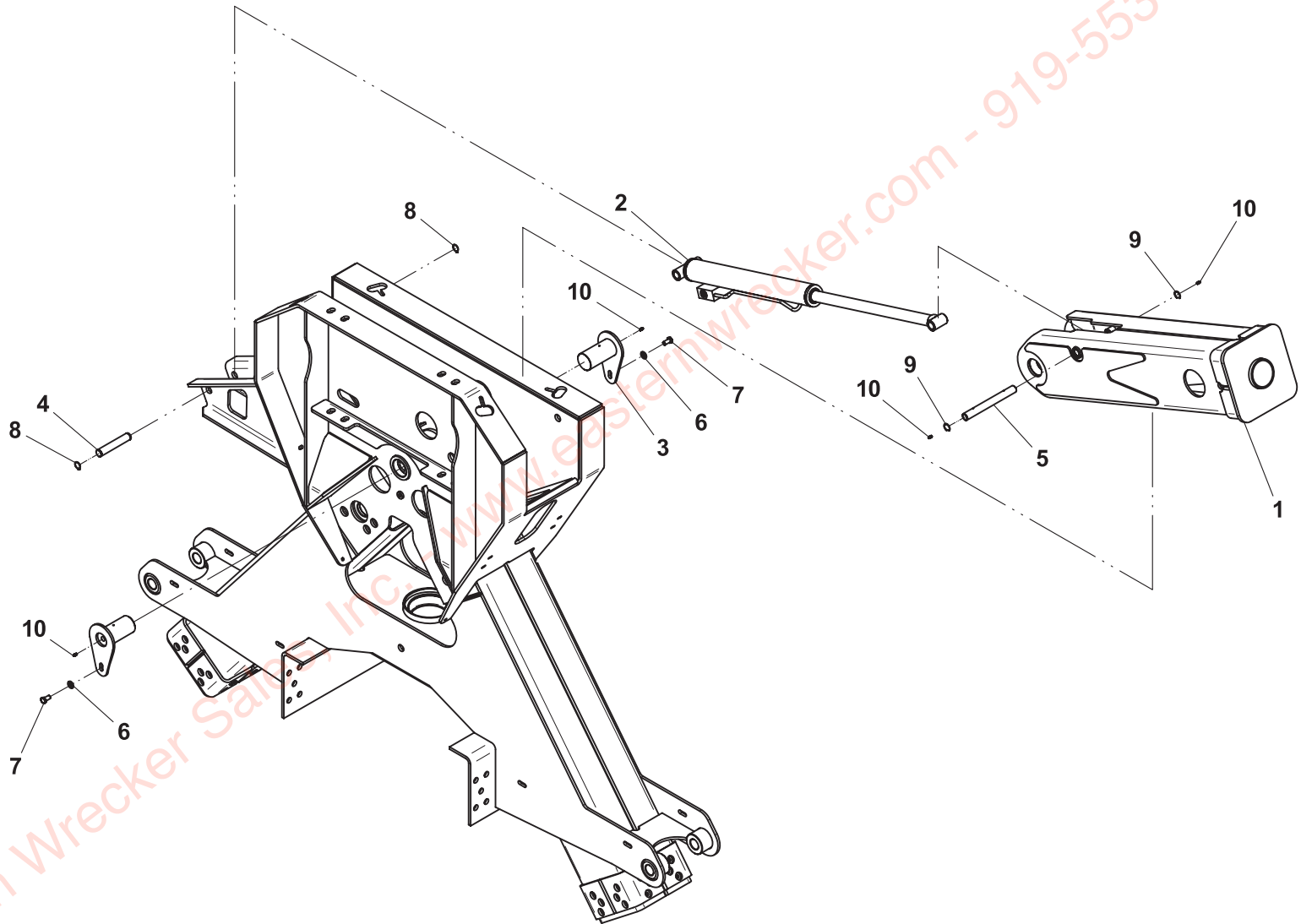
**PIVOTING RECOVERY BOOM**

ITEM	PART NO.	DESCRIPTION	QTY
1	3170000448	Swing Boom Weld	1
2	3320000232	Cylinder Assembly	1
3	3691000262	Pin Weld	2
4	4691000578	Pin	1
5	4691000574	Pin	1
6	7950180153	Flatwasher 0.50" ID	2
7	7115180850	Capscrew, 0.50"-13NC x 1.00"	2
8	7754000019	Retaining Ring	2
9	7754000056	Retaining Ring	2
10	7440030000	Grease Fitting	4

Eastern Wrecker Sales, Inc. - www.easternwrecker.com - 919-553-4038



# PIVOTING RECOVERY BOOM

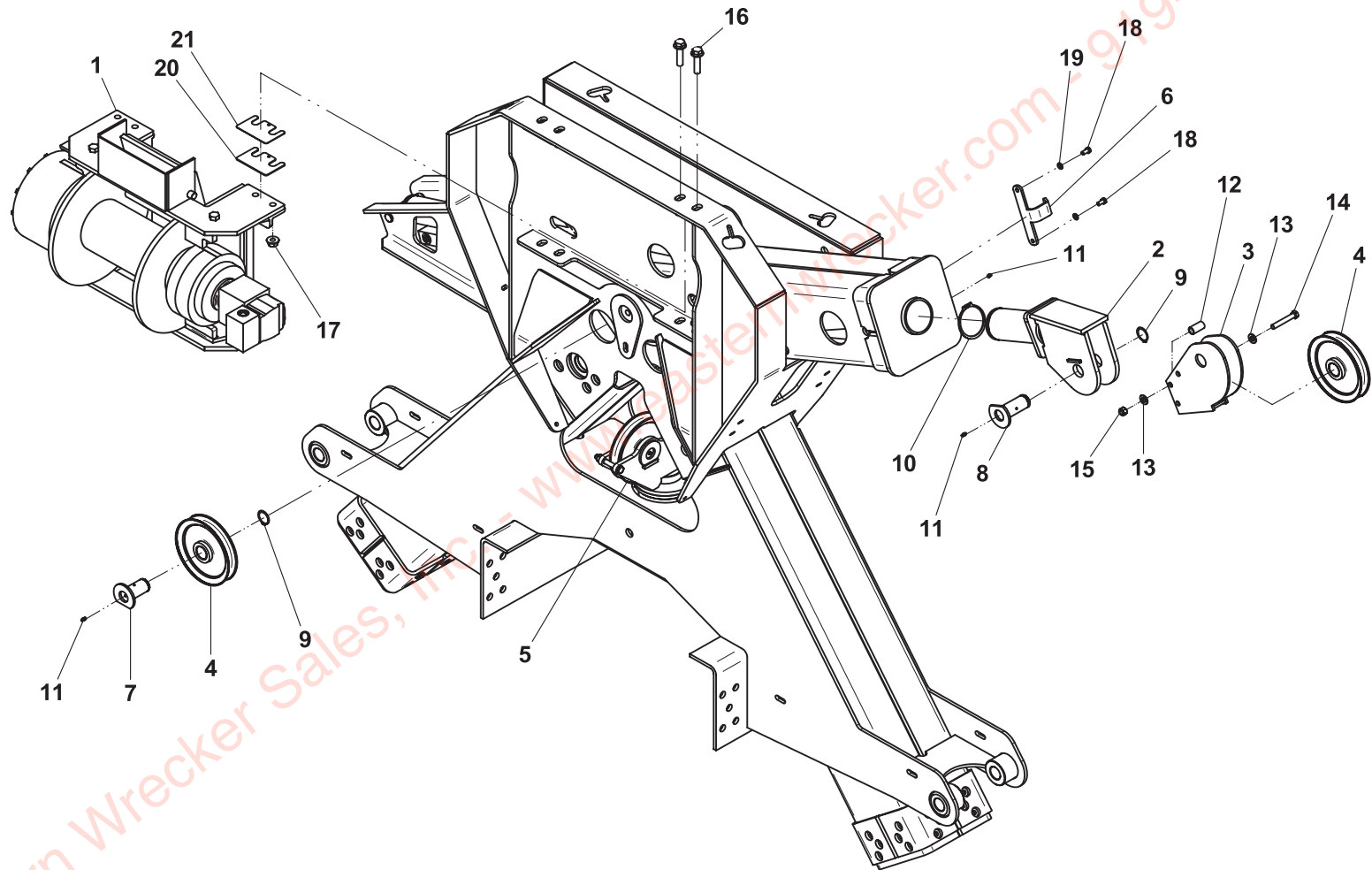


**PLANETARY GEAR WINCH**

ITEM	PART NO.	DESCRIPTION	QTY
1	7970000163	Winch - 25,000 lb Planetary Gear	1
	7970000162	Winch - 35,000 lb Planetary Gear	
2	3249000015	Sheave Support Weld	1
3	3249000043	Sheave Guide Weld	1
4	7809000006	Sheave	3
5	2249000020	Sheave Assembly	1
6	4178000763	Bracket	1
7	3691000261	Pin Weld	2
8	3691000169	Pin Weld	1
9	7754000058	Retaining Ring	3
10	7754000049	Retaining Ring	1
11	7440030000	Grease Fitting	4
12	4831000104	Spacer	3
13	7950180141	Flatwasher, 0.50" ID	6
14	7115182650	Capscrew, 0.50"-13NC x 3.25"	3
15	7660182601	Locknut, 0.50"-13NC	3
16	7118202016	Capscrew, 0.63"-11NC x 3.25"	8
17	7661000018	Locknut, 0.63"-11NC	8
18	7115160650	Capscrew, 0.38"-16NC x 0.75"	2
19	7950160000	Lockwasher, 0.38" ID	2
20	4812000103	Shim	2
21	4812000104	Shim	2

Refer to manufacturer's manual for winch parts list

# PLANETARY GEAR WINCH



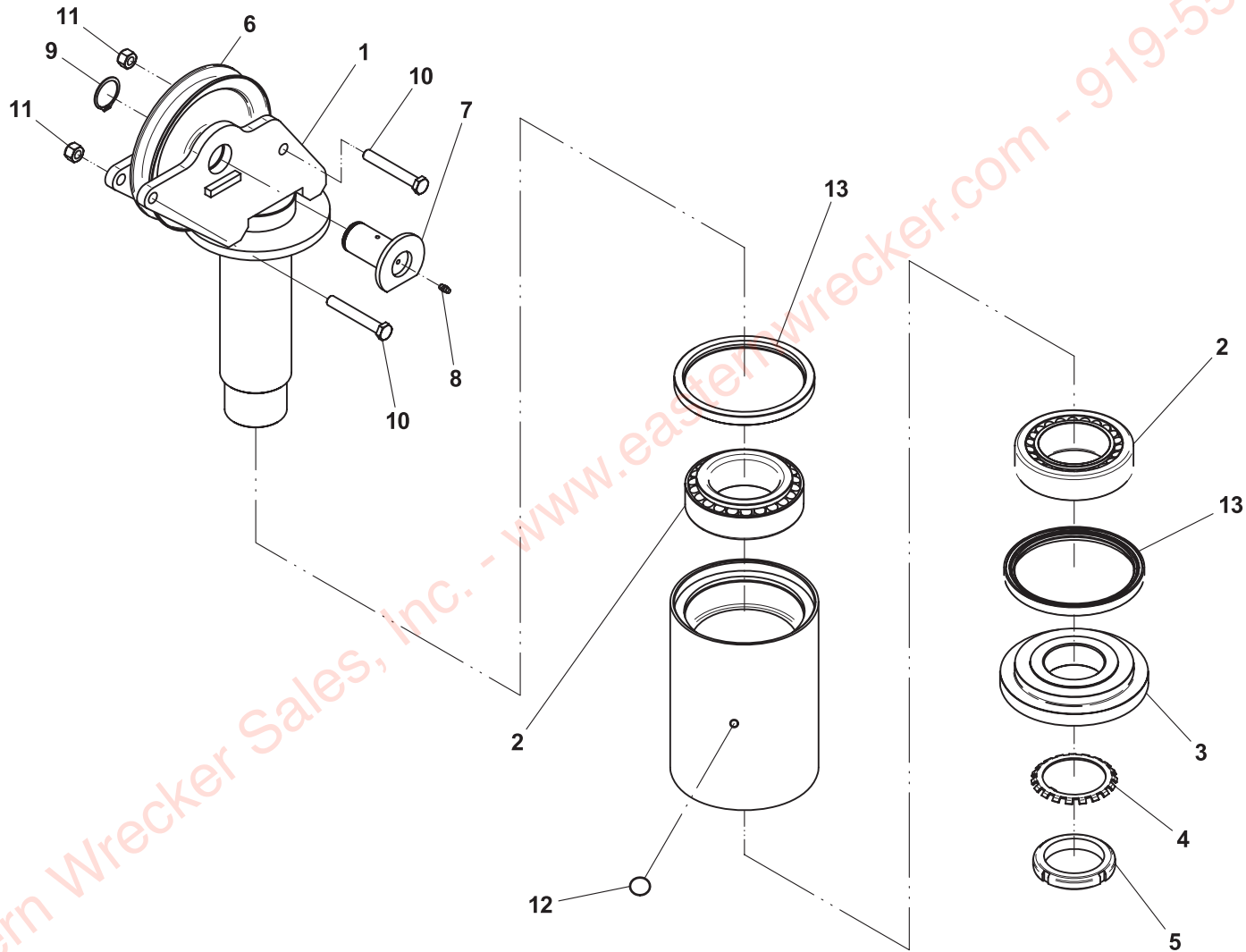
Item #22, Winch Cable, not shown

**SHEAVE ASSEMBLY**

ITEM	PART NO.	DESCRIPTION	QTY
1	3249000045	Sheave Pivot Support Weld	1
2	7082000040	Roller Bearing	2
3	4661000008	Retaining Nut	1
4	7949000040	Lockwasher	1
5	7661000061	Locknut	1
6	7809000006	Sheave	1
7	3691000261	Pin Weld	1
8	7440030000	Grease Fitting	1
9	7754000058	Retaining Ring	1
10	7115182650	Capscrew, 0.50"-13NC x 3.25"	2
11	7660182601	Locknut, 0.50"-13NC	2
12	7444010011	Plug	1
13	7796000098	Seal	2

Refer to manufacturer's manual for winch parts list

# SHEAVE ASSEMBLY



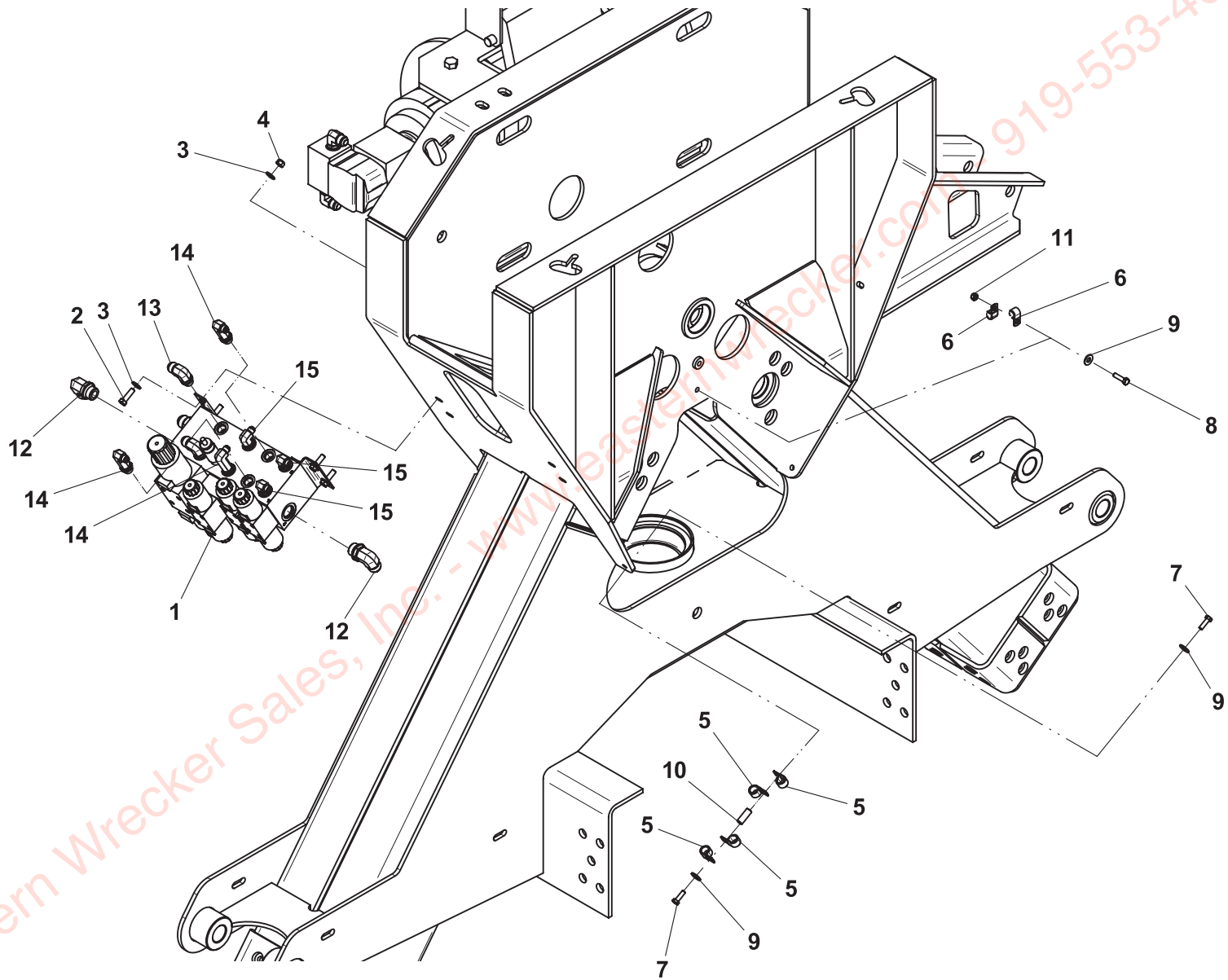
Item #22, Winch Cable, not shown

**HYDRAULIC COMPONENTS**

ITEM	PART NO.	DESCRIPTION	QTY
1	3935000189	Valve Assembly	1
2	7115161050	Capscrew, 0.38"-16NC x 1.25"	4
3	7950160141	Flatwasher, 0.38" ID	8
4	7660162601	Locknut, 0.38"-16NC	4
5	7274000063	Clamp	4
6	7274000062	Clamp	2
7	7115150850	Capscrew, 0.31"-18NC x 1.00"	2
8	7115151050	Capscrew, 0.31"-18NC x 1.25"	1
9	7950150161	Flatwasher, 0.31 ID	3
10	7661000022	Stacking Nut	1
11	7660152601	Locknut, 0.31"-18NC	1
12	7445121245	Elbow	2
13	7445080845	Elbow	2
14	7443000458	Elbow	3
15	7445060845	Elbow	3

Eastern Wrecker Sales, Inc. - www.easternwrecker.com - 919-553-4038

# HYDRAULIC COMPONENTS



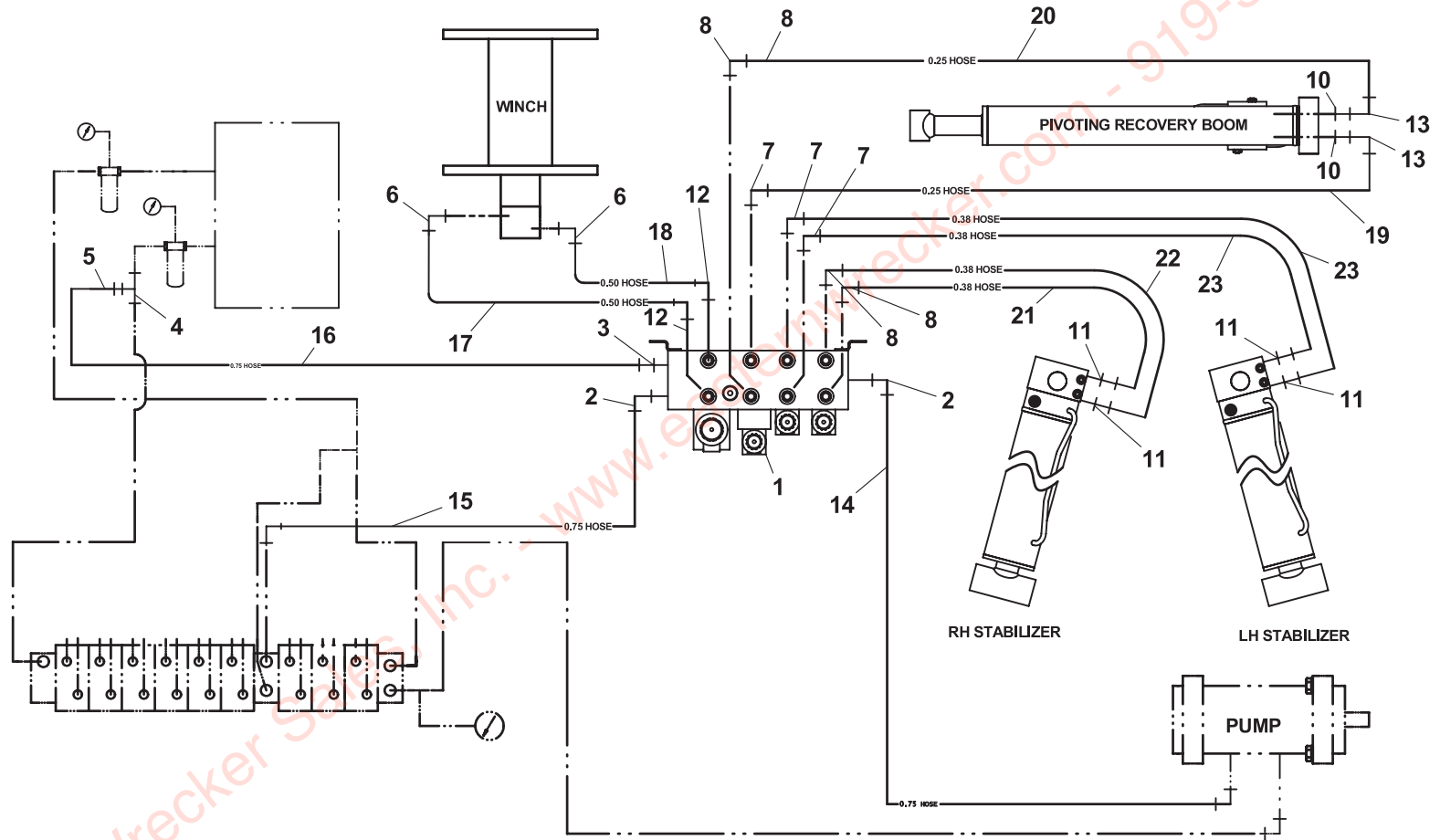
**HYDRAULIC COMPONENTS**

ITEM	PART NO.	DESCRIPTION	QTY
1	3935000189	Valve Assembly	1
2	7445121245	Elbow	2
3	7445121243	Adapter	1
4	7443000213	Tee	1
5	7443000214	Reducer	1
6	7445080845	Elbow	2
7	7443000458	Fitting	3
8	7445060845	Elbow	3
9	7443000108	Orifice	1
10	7445040443	Adapter	2
11	7445060644	Fitting	4
12	7445080843	Adpater	2
13	7445040472	Elbow	2
14	4567160129	Hose	1
15	4567160156	Hose	1
16	4567162180	Hose	1
17	4567132028	Hose	1
18	4567132033	Hose	1
19	4570000337	Hose	1
20	4570000338	Hose	1
21	4567122038	Hose	1
22	4567122036	Hose	1
23	4567122056	Hose	2
24	7819000005	Sleeve	1

Eastern Wrecker Sales, Inc. - www.easternwrecker.com - 919-553-4038



# HYDRAULIC COMPONENTS



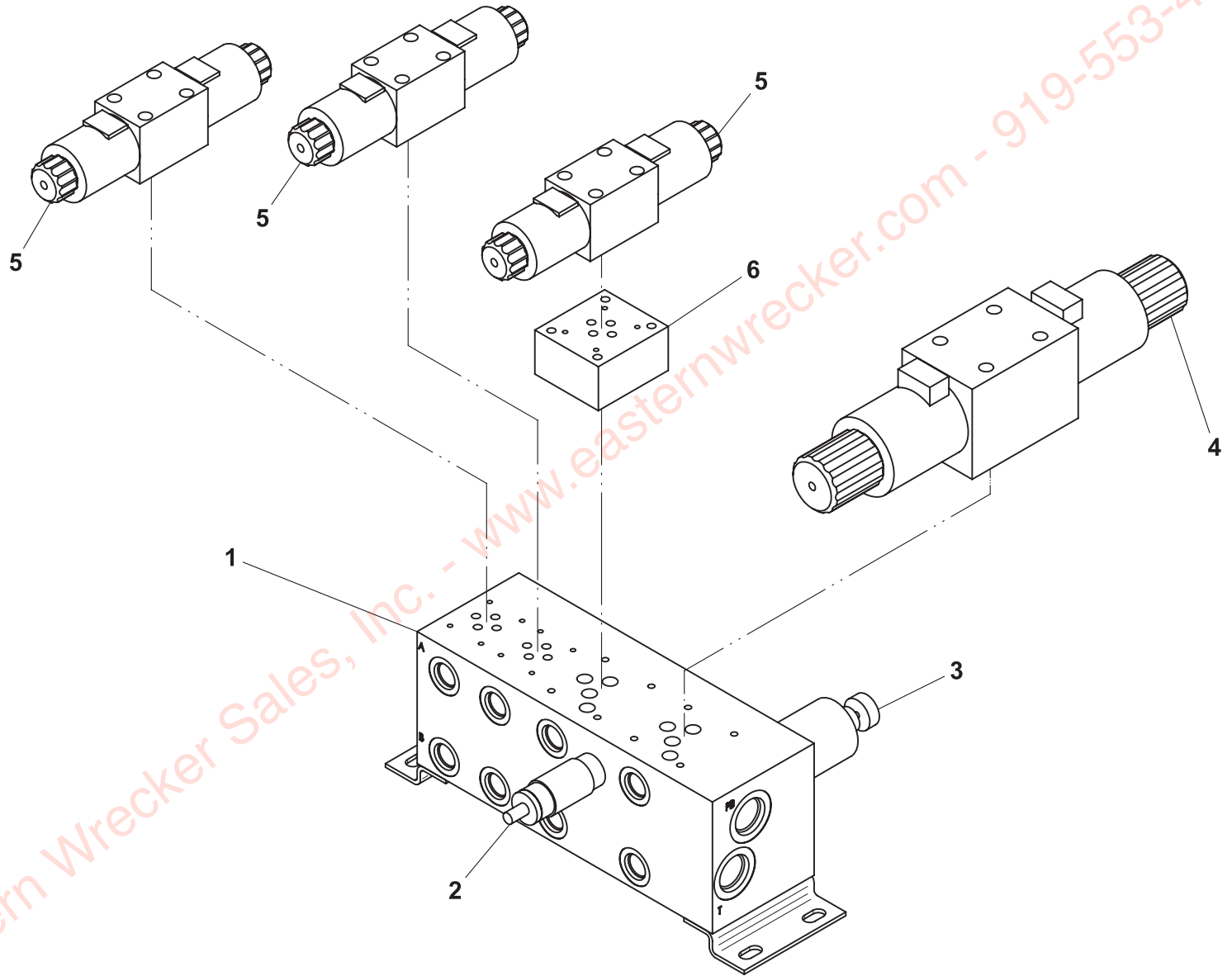
Item #24, Sleeve, not shown

**MANIFOLD VALVE**

ITEM	PART NO.	DESCRIPTION	QTY
1	9619930002	Manifold Block	1
2	9935930126	Main Relief	1
3	9935930127	Solenoid Selector Valve	1
4	9935930129	Valve	1
5	7935000349	Valve	3
6	9935930130	Valve Adapter	1

Eastern Wrecker Sales, Inc. - www.easternwrecker.com - 919-553-4038

# MANIFOLD VALVE

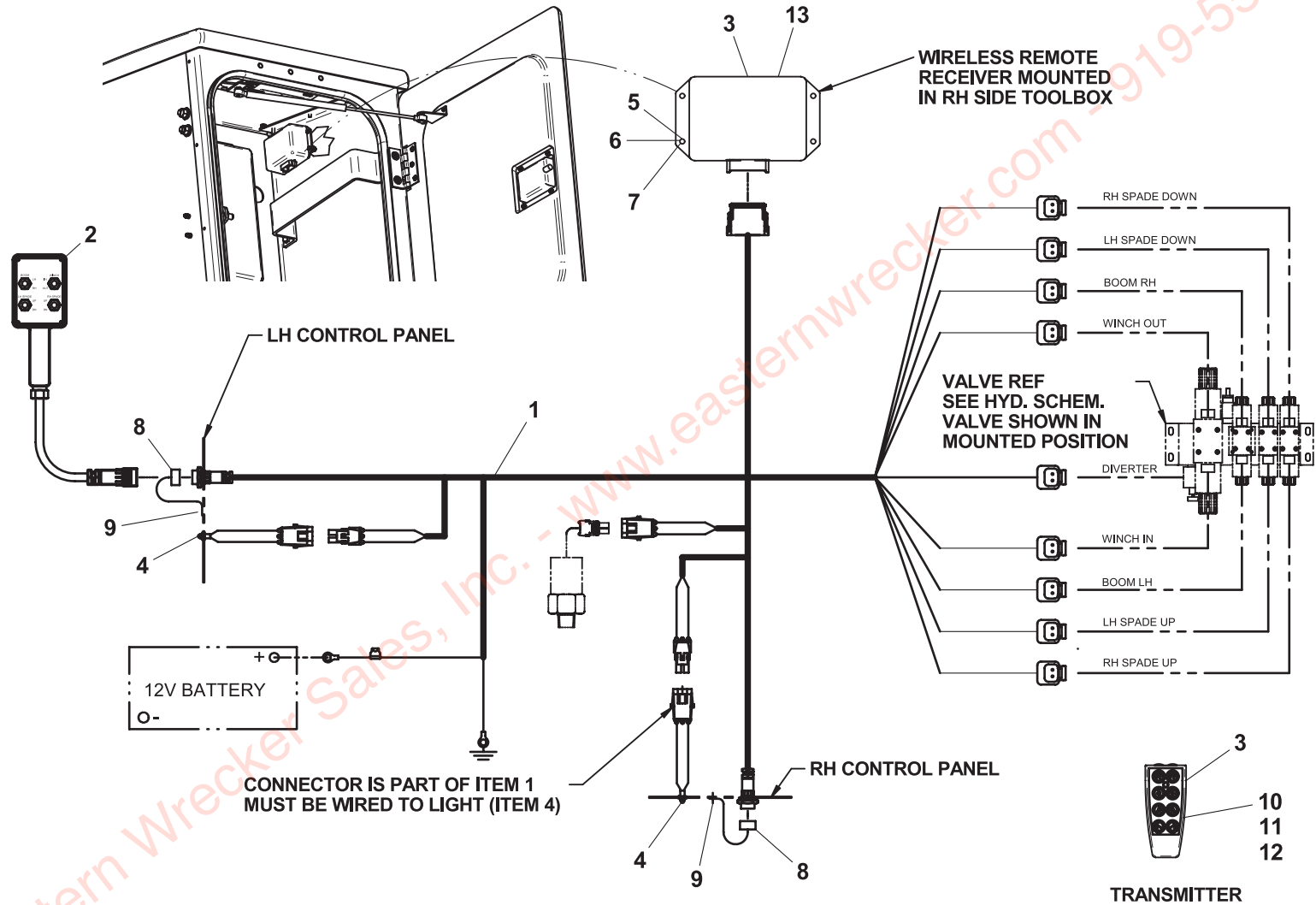


**ELECTRICAL COMPONENTS**

ITEM	PART NO.	DESCRIPTION	QTY
1	7552000407	Harness	1
2	7295000126	Wired Controller 8 Function	1
3	7295000121	Wireless Controller 8 Function	1
4	7590000364	Indicator Light	2
5	7114100518	Capscrew, #10-24NC x 0.62"	4
6	7660102604	Locknut, #10-24NC	4
7	7950100103	Flatwasher, #10 ID	4
8	7346000068	Dust Cap	2
9	7790151656	Screw	2
10	9295310054*	Transmitter	1
11	9295310029*	Transmitter Rubber Boot	1
12	9295310030*	Transmitter Belt Clip	1
13	9295310055*	Receiver	1

\* included in Wireless Controller 8 Function, P/N 7295000121

# ELECTRICAL COMPONENTS

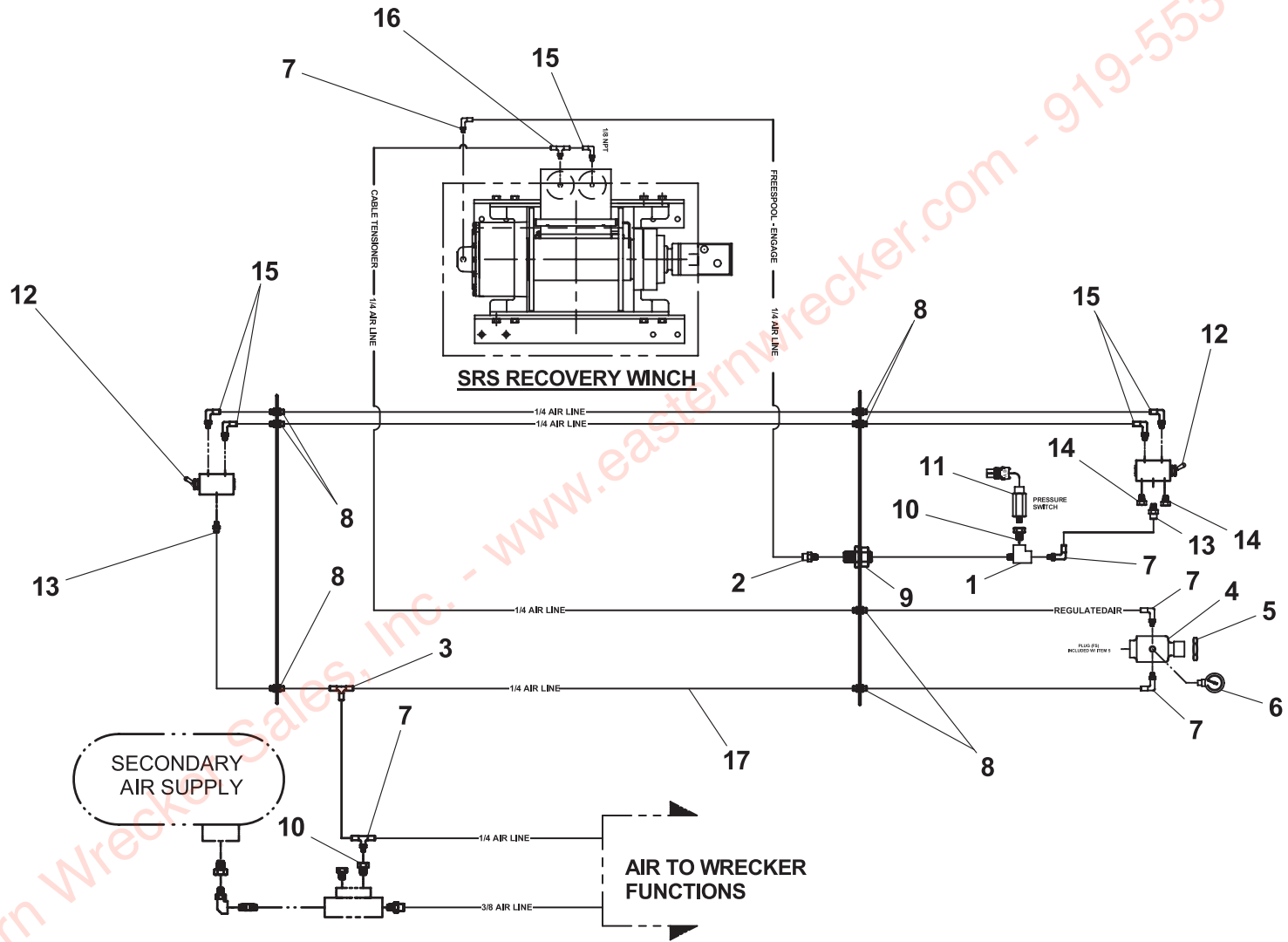


**AIR COMPONENTS**

ITEM	PART NO.	DESCRIPTION	QTY
1	7443000287	Tee	1
2	7443000329	Fitting	1
3	7443000330	Fitting	1
4	7295000029	Regulator	1
5	7661000041	Panel Nut	1
6	7470000006	Pressure Gauge	1
7	7443000139	Fitting	4
8	7443000178	Union	7
9	7443000456	Fitting	1
10	7443000149	Bushing	1
11	7870000136	Pressure Switch	1
12	7935000351	Valve	2
13	7443000177	Fitting	2
14	7443000152	Plug	2
15	7443000173	Fitting	5
16	7443000174	Tee	2
17	7565000016	Tubing	30 ft

Eastern Wrecker Sales, Inc. - www.easternwrecker.com - 919-553-4038

# AIR COMPONENTS



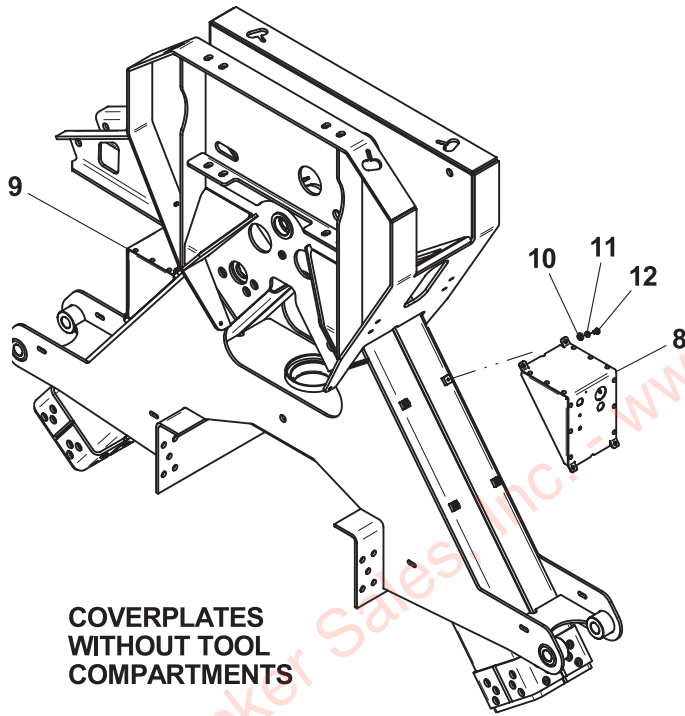
**CONTROL COVERPLATE**

ITEM	PART NO.	DESCRIPTION	QTY
1	4314000177	Coverplate	1
2	4314000176	Coverplate	1
3	7115140850	Capscrew, 0.25"-20NC x 1.00"	8
4	7950140000	Lockwasher, 0.25" ID	8
5	7950140161	Flatwasher, 0.25" ID	8
6	7413000002	Nutsert	8
7	7701000055	Plug	4
8	3314000052	Coverplate	1
9	3314000053	Coverplate	1
10	7950160153	Flatwasher, 0.38" ID	8
11	7950160000	Lockwasher, 0.38" ID	8
12	7114160618	Capscrew, 0.38"-16NC x 0.75"	8

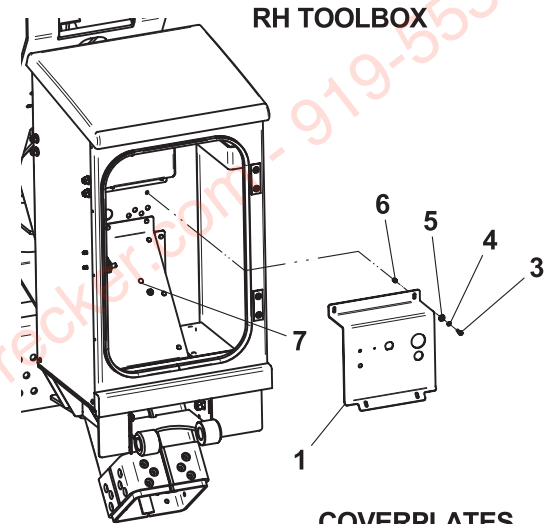
Eastern Wrecker Sales, Inc. - www.easternwrecker.com - 919-553-4038



# CONTROL COVERPLATE

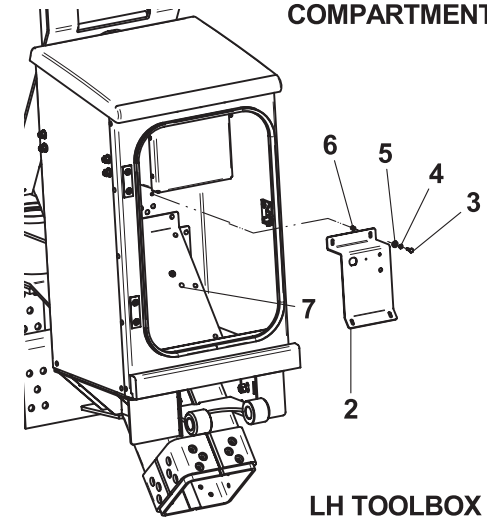


COVERPLATES WITHOUT TOOL COMPARTMENTS



RH TOOLBOX

COVERPLATES WITH TOOL COMPARTMENTS



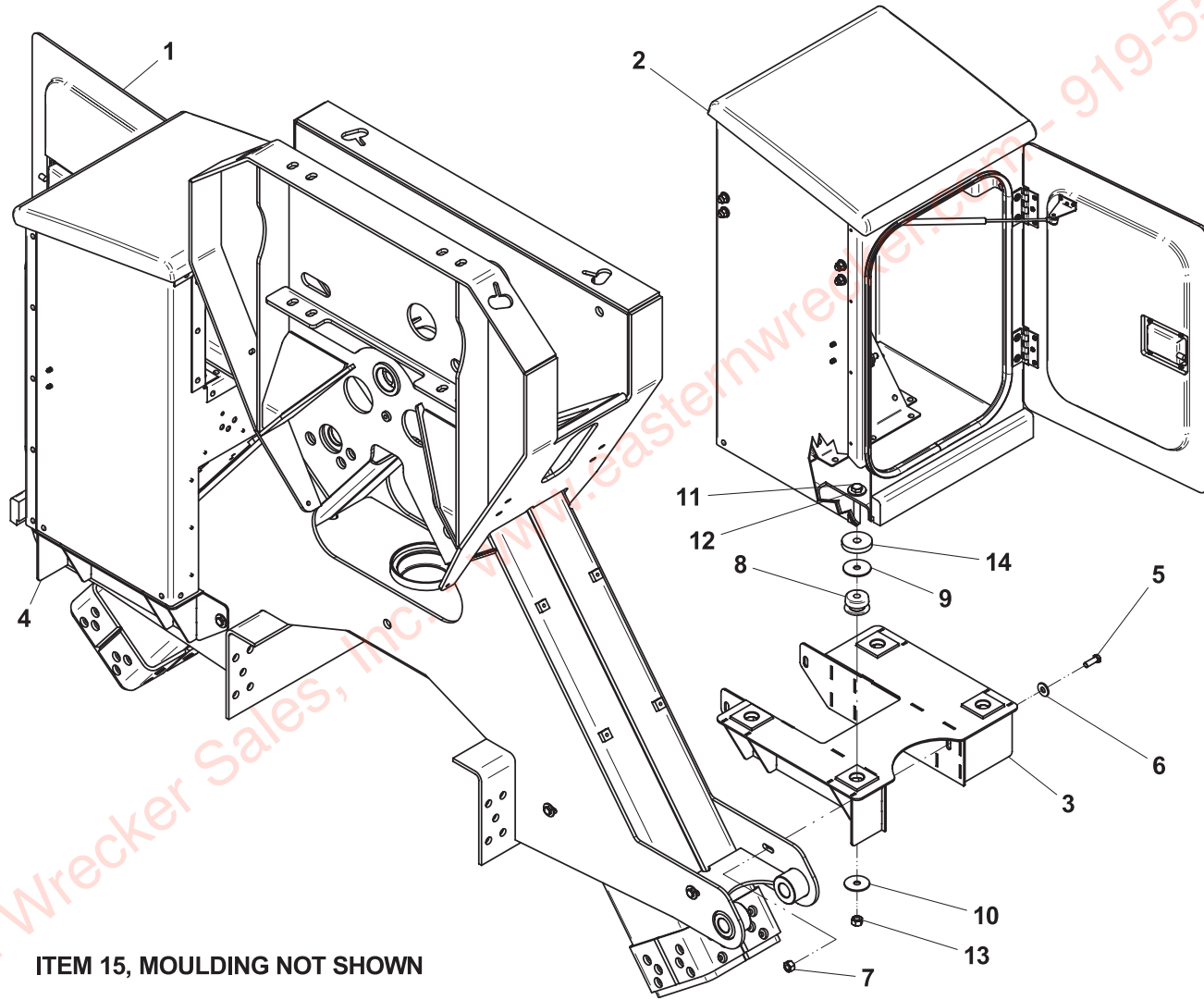
LH TOOLBOX

**TOOL COMPARTMENT INSTALLATION**

ITEM	PART NO.	DESCRIPTION	QTY
1	3548740009	Tool Compartment Assembly - LH	1
2	3548740010	Tool Compartment Assembly - RH	1
3	3636000131	Mount Weld - RH	1
4	3636000130	Mount Weld - LH	1
5	7118181250	Capscrew, 0.50"-13NC x 1.50"	8
6	7950180161	Flatwasher, 0.50" ID	16
7	7660182601	Locknut, 0.50"-13NC	8
8	7636000008	Rubber Mount	8
9	7949000019	Washer	8
10	7949000020	Washer	8
11	7115203250	Capscrew, 0.62"-11NC x 4.00"	8
12	7950200161	Flatwasher, 0.62" ID	8
13	7660200001	Nut, 0.62"-11NC	8
14	4831000128	Spacer	8
15	8632000011	Rubber Moulding	12 ft

Eastern Wrecker Sales, Inc. - www.easternwrecker.com - 919-553-4038

# TOOL COMPARTMENT INSTALLATION

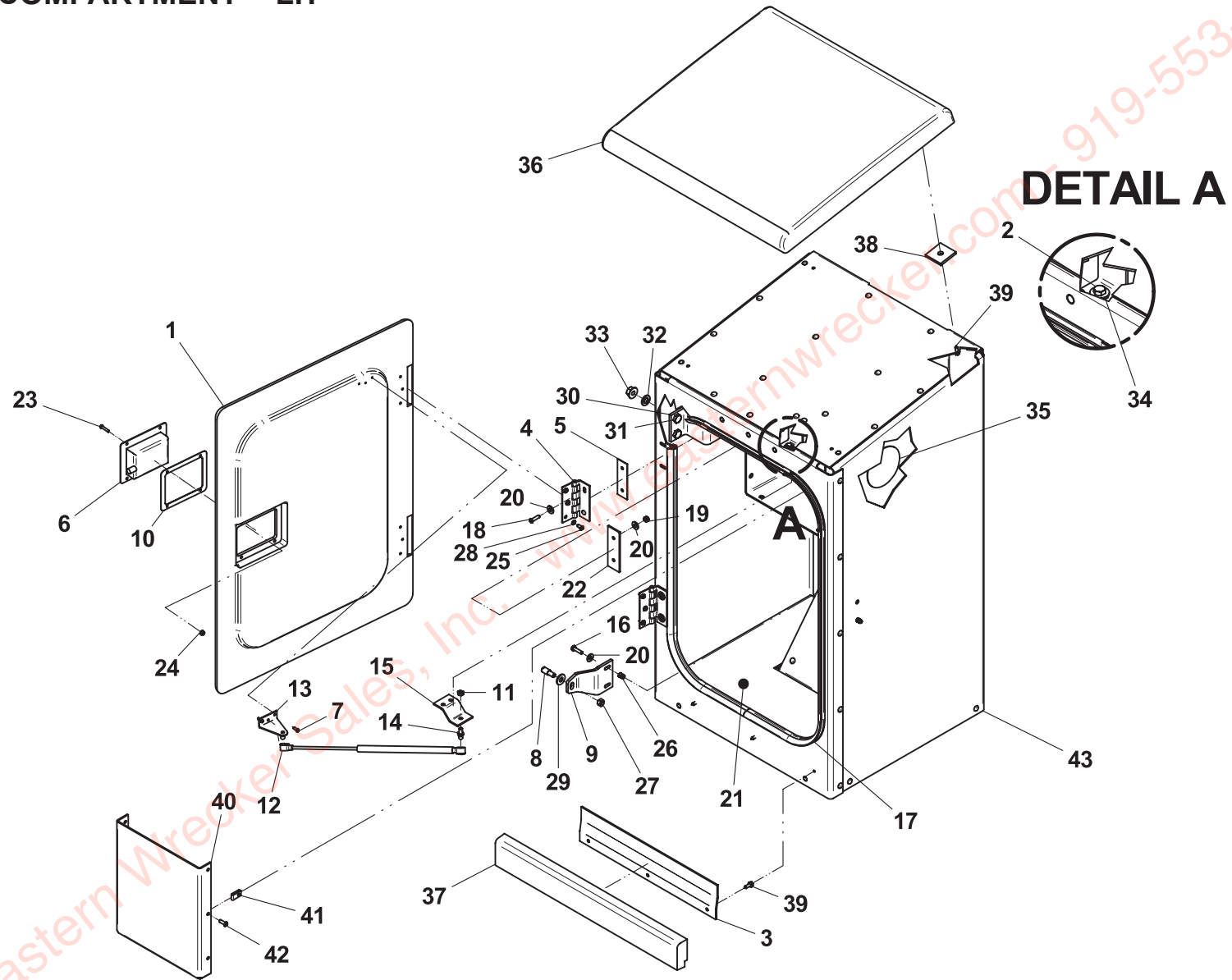


**TOOL COMPARTMENT - LH**

ITEM	PART NO.	DESCRIPTION	QTY	ITEM	PART NO.	DESCRIPTION	QTY
1	4686000085	Panel - Door	1	32	7950180153	Flatwasher, 0.50" ID	4
2	7115150650	Capscrew, .031"-18NC x 0.75"	2	33	7660182301	Locknut, 0.50"-13NC	4
3	4811000341	Sheet	1	34	7950150161	Flatwasher, 0.31" ID	2
4	7555000002	Hinge	2	35	7701000030	Plug	2
5	4812000052	Shim	2	36	7686000008	Panel - Top	1
6	7590000005	Latch	1	37	7686000019	Panel - Filler	1
7	7114100418	Capscrew, #10-24NC x 0.50"	3	38	4679000121	Pad	4
8	7585000009	Striker	1	39	7790142051	Screw	7
9	4178000222	Bracket	1	40	4811001118	Sheet	1
10	7796000038	Gasket	1	41	7661000019	U-Nut	8
11	7660152601	Locknut, 0.31"-18NC	3	42	7114140618	Capscrew, 0.25"-20NC x 0.75"	8
12	7843000020	Shock	1	43	3548740013	Tool Compartment Bond	1
13	7178000023	Bracket	1				
14	7865000001	Stud	1				
15	4178000240	Brakcet	1				
16	7115140850	Capscrew, 0.25"-20NC x 1.00"	2				
17	4632000014	Door Seal	1				
18	7114140818	Capscrew, 0.25"-20NC x 1.00"	4				
19	7660142601	Locknut, 0.25"-20NC	4				
20	7950140161	Flatwasher, 0.25" ID	10				
21	4679000297	Pad	1				
22	4062000173	Bar	2				
23	7114100818	Capscrew, #10-24NC x 1.00"	4				
24	7660102601	Nut, #10-24NC	4				
25	7114140418	Capscrew, 0.25"-20NC x 0.50"	6				
26	7413000002	Nutsert, 0.25"-20NC	2				
27	7661000021	Locknut, 0.38"-16NC	1				
28	7949000025	Lockwasher, 11MM	6				
29	7950160162	Flatwasher, 0.38" ID	1				
30	4178000270	Bracket	1				
31	7115181050	Capscrew, 0.50"-13NC x 1.25"	4				

Eastern Wrecker Sales, Inc. - www.easternwrecker.com 919-553-4038

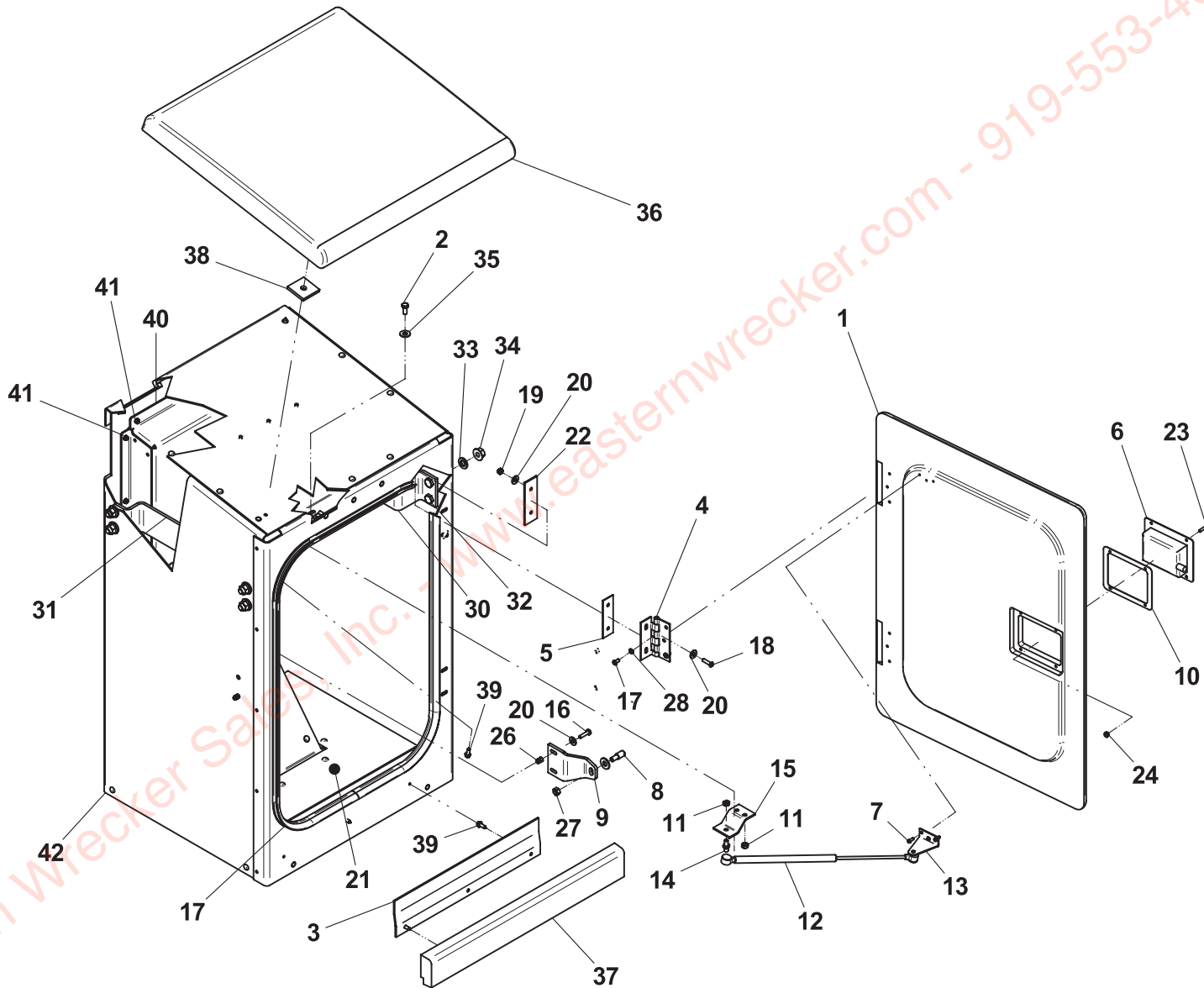
# TOOL COMPARTMENT - LH



**TOOL COMPARTMENT - RH**

ITEM	PART NO.	DESCRIPTION	QTY	ITEM	PART NO.	DESCRIPTION	QTY
1	4686000086	Panel - Door	1	32	7115181050	Capscrew, 0.50"-13NC x 1.25"	8
2	7115150650	Capscrew, .031"-18NC x 0.75"	2	33	7950180153	Flatwasher, 0.50" ID	8
3	4811000341	Sheet	1	34	7660182301	Locknut, 0.50"-13NC	8
4	7555000002	Hinge	2	35	7950150161	Flatwasher, 0.31" ID	2
5	4812000052	Shim	2	36	7686000008	Panel - Top	1
6	7590000005	Latch	1	37	7686000019	Panel - Filler	1
7	7114100418	Capscrew, #10-24NC x 0.50"	3	38	4679000121	Pad	4
8	7585000009	Striker	1	39	7790142051	Screw	7
9	4178000222	Bracket	1	40	4811001118	Sheet	1
10	7796000038	Gasket	1	41	3314000047	Coverplate Bond	1
11	7660152601	Locknut, 0.31"-18NC	3	42	3548740014	Tool Compartment Bond	1
12	7843000020	Shock	1				
13	7178000023	Bracket	1				
14	7865000001	Stud	1				
15	4178000240	Brakcet	1				
16	7115140850	Capscrew, 0.25"-20NC x 1.00"	2				
17	4632000014	Door Seal	1				
18	7114140818	Capscrew, 0.25"-20NC x 1.00"	4				
19	7660142601	Locknut, 0.25"-20NC	4				
20	7950140161	Flatwasher, 0.25" ID	10				
21	4679000297	Pad	1				
22	4062000173	Bar	2				
23	7114100818	Capscrew, #10-24NC x 1.00"	4				
24	7660102601	Nut, #10-24NC	4				
25	7114140418	Capscrew, 0.25"-20NC x 0.50"	6				
26	7413000002	Nutsert, 0.25"-20NC	2				
27	7661000021	Locknut, 0.38"-16NC	1				
28	7949000025	Lockwasher, 11MM	6				
29	7950160162	Flatwasher, 0.38" ID	1				
30	4178000270	Bracket	1				
31	4178000766	Bracket	1				

# TOOL COMPARTMENT - RH



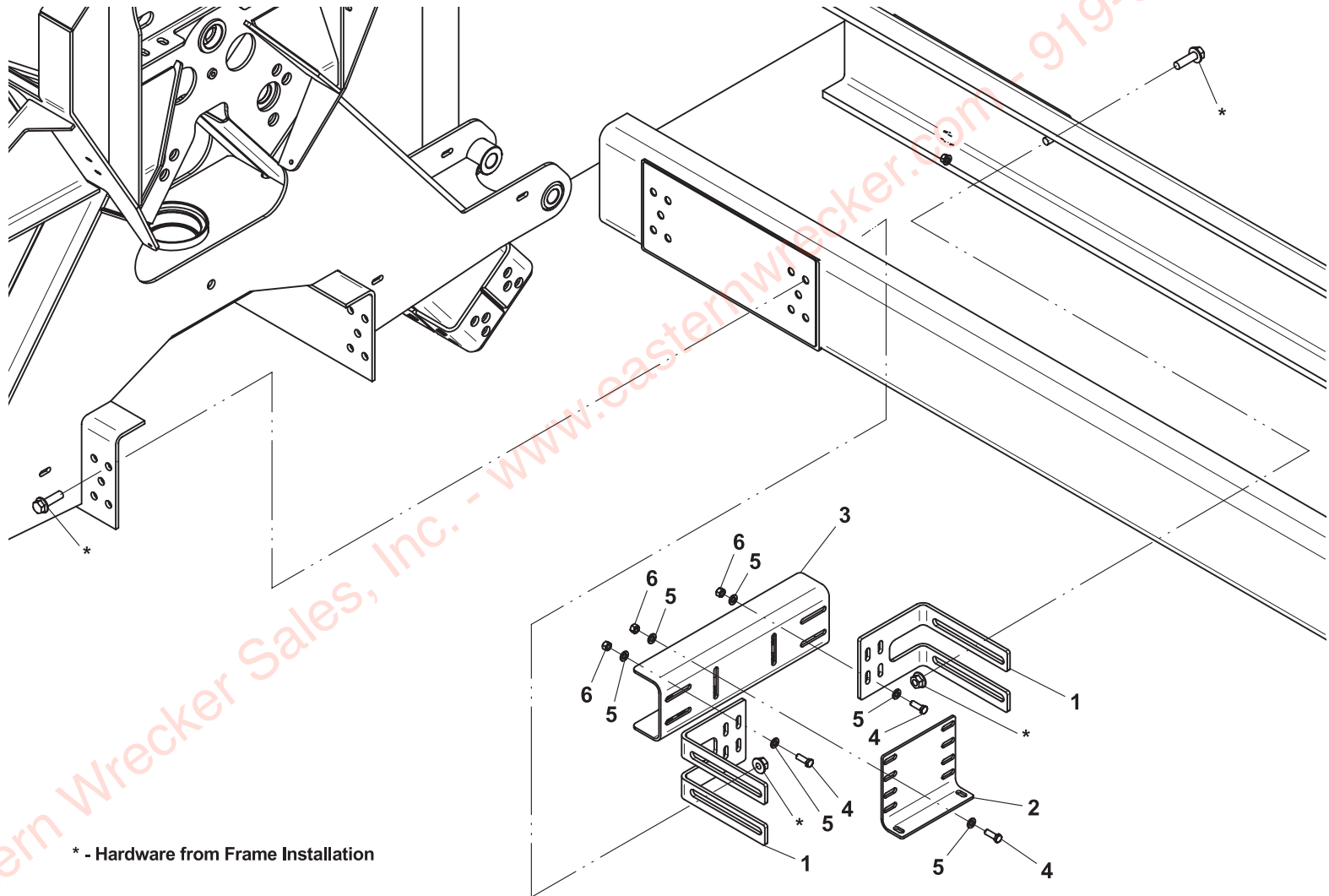
**CARRIER BEARING BRACKET REWORK**

ITEM	PART NO.	DESCRIPTION	QTY
1	4178000785	Bracket	2
2	4017001409	Angle	1
3	4263000790	Channel	1
4	7118181250	Capscrew, 0.50"-13NC x 1.50"	12
5	7950180153	Flatwasher, 0.50" ID	24
6	7660182601	Locknut, 0.50"-13NC	12

Eastern Wrecker Sales, Inc. - www.easternwrecker.com - 919-553-4038



# CARRIER BEARING BRACKET REWORK



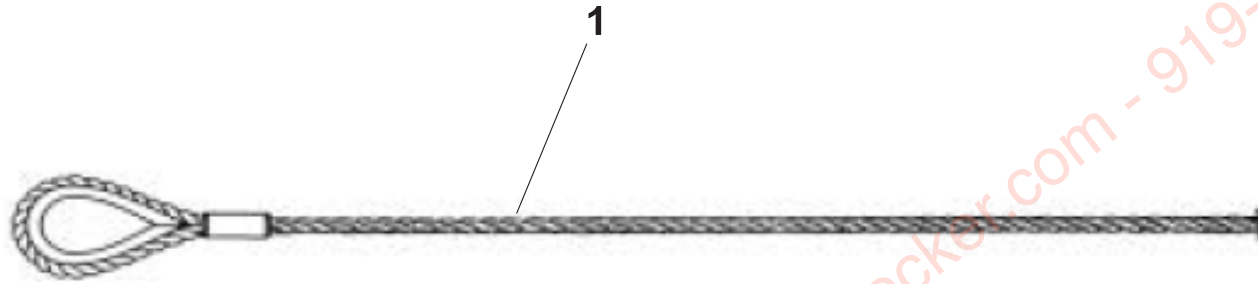
\* - Hardware from Frame Installation

**WINCH CABLE ASSEMBLY**

ITEM	PART NO.	DESCRIPTION	QTY
	3248000001	Cable Assembly - SRS-W25S Standard	1
1	7248000142	Winch Cable, 0.62" Dia x 200'	1
2	7561000026	Hook - 5 Ton - Standard Hook	1
3	7804000008	Shackle	1
	3248000002	Cable Assembly - SRS-W35S Standard	1
1	7248000141	Winch Cable, 0.62" Dia x 250'	1
2	7561000026	Hook - 5 Ton - Standard Hook	1
3	7804000008	Shackle	1
	3248000003	Cable Assembly - SRS-W35S Optional	1
1	7248000144	Winch Cable, 0.75" Dia x 200'	1
2	7561000026	Hook - 5 Ton - Standard Hook	1
3	7804000008	Shackle	1

Eastern Wrecker Sales, Inc. - www.easternwrecker.com - 919-553-4038

## WINCH CABLE ASSEMBLY

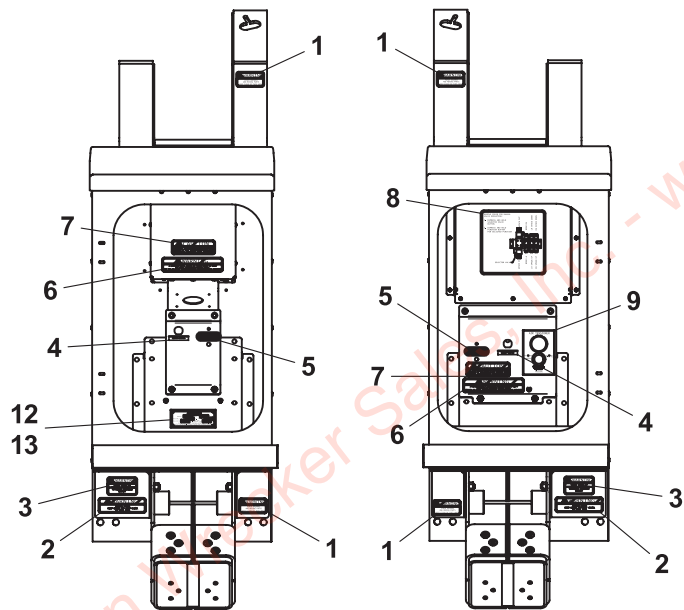
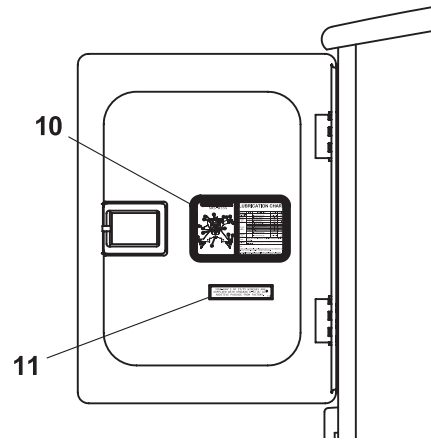


**DECALS**

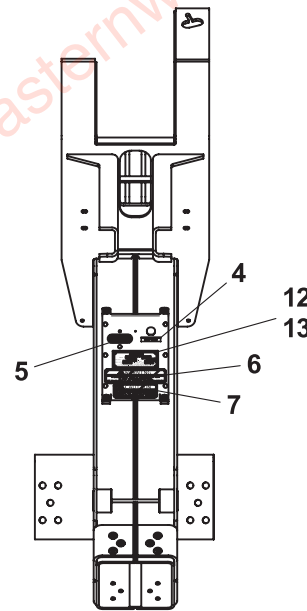
ITEM	PART NO.	DESCRIPTION	QTY
1	7330000599	Decal - Pinch Point	4
2	7330000037	Decal - Moving Parts	2
3	7330000580	Decal - Stabilizer / Outrigger	2
4	7330000722	Decal - Remote Control	2
5	7330000721	Decal - Free Spool	2
6	7330000262	Decal - Winch	2
7	7330000253	Decal - Winch Cable	2
8	7330000730	Decal - Valve Manual Override	1
9	7330000720	Decal - Air Regulator	1
10	7330000719	Decal - Lubrication Chart	1
11	7330000727	Decal - Winch Oil	1
12	7330000710	Decal - Serial, Model, VIN, Rating	1
13	7759000004	Pop Rivet, 0.12" Dia	4

Eastern Wrecker Sales, Inc. - www.easternwrecker.com - 919-553-4038

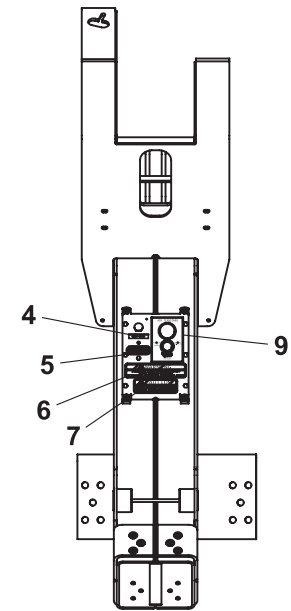
# DECALS



WITH TOOL COMPARTMENTS



LH CONTROL PANEL



RH CONTROL PANEL

WITHOUT TOOL COMPARTMENTS

**THIS PAGE INTENTIONALLY LEFT BLANK**

Eastern Wrecker Sales, Inc. - [www.easternwrecker.com](http://www.easternwrecker.com) - 919-553-4038