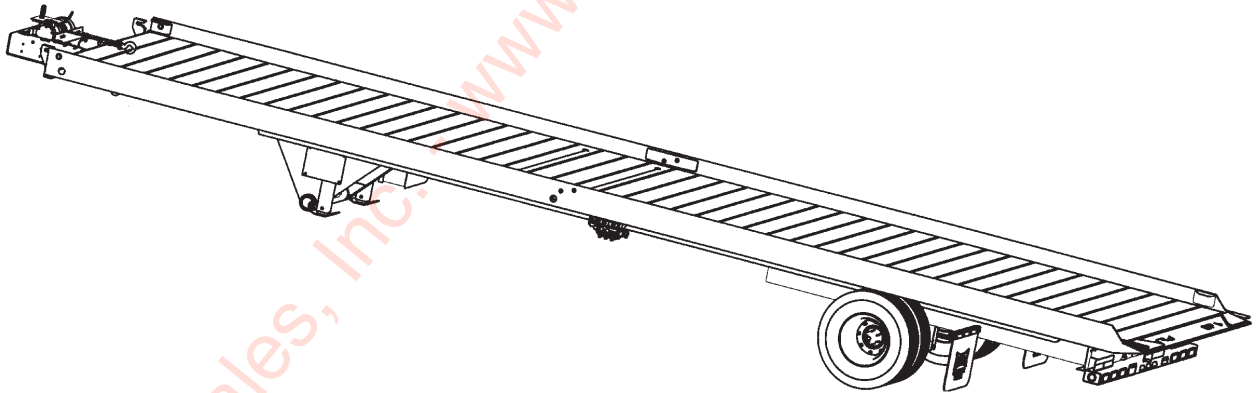




**MODEL 341  
SEMITRAILER  
PARTS MANUAL**



**1900 North Street  
Marysville, KS 66508  
(785)562-5381**



# ILLUSTRATED PARTS LIST

1

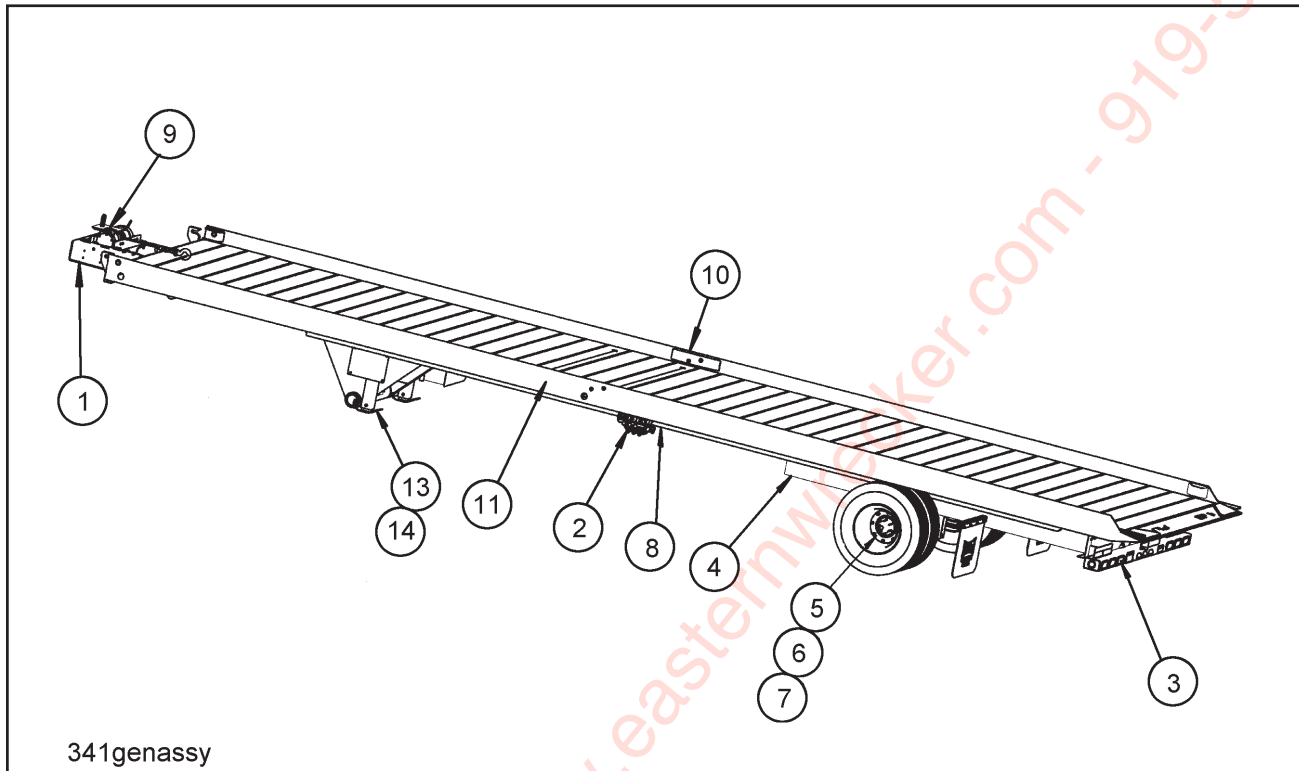
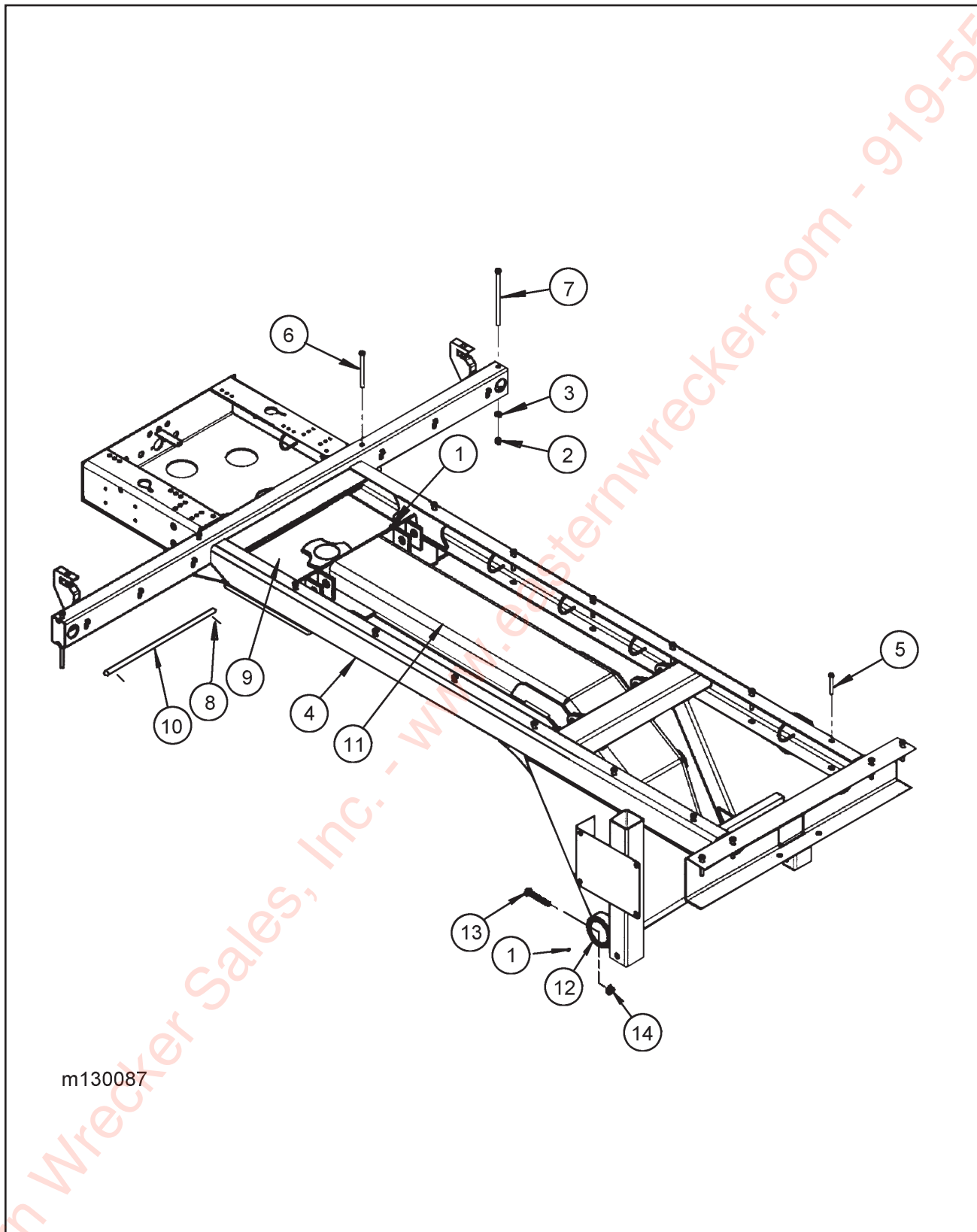


Figure 1-1 General Assembly

## GENERAL ASSEMBLY

ITEM	PAGE NO.	DESCRIPTION	QTY.
1	1-2 - 1-7	HITCH ASSEMBLIES	1
2	1-8 - 1-15	HYDRAULIC ASSEMBLIES	1
3	1-16 - 1-17	ELECTRICAL SYSTEM	1
4	1-18 - 1-19	UNDERCARRIAGE ASSEMBLY - SPRING RIDE	1
5	1-20 - 1-21	AXLE ASSEMBLY, 15K 78" TRACK	1
6	1-22 - 1-23	HYDRAULIC BRAKE PARTS	1
7	1-24 - 1-25	HUB AND DRUM ASSEMBLY	1
8	1-26 - 1-27	RADIO REMOTE ASSEMBLY	1
9	1-28 - 1-33	12K WINCH ASSEMBLIES	1
10	1-34 - 1-36	CONTAINER LOAD AND STORAGE ASSEMBLIES	1
11	1-37 - 1-39	DECAL INSTALLATION	1
12	1-40 - 1-49	F550 TRUCK ASSEMBLIES (NOT SHOWN)	1
13	129937	PARK STAND WELDMENT	2
14	346SL	LOCK , HITCH PIN	2
15	129944	PARKING STAND, DROP PIN (INCL ITEMS 13-14)	1

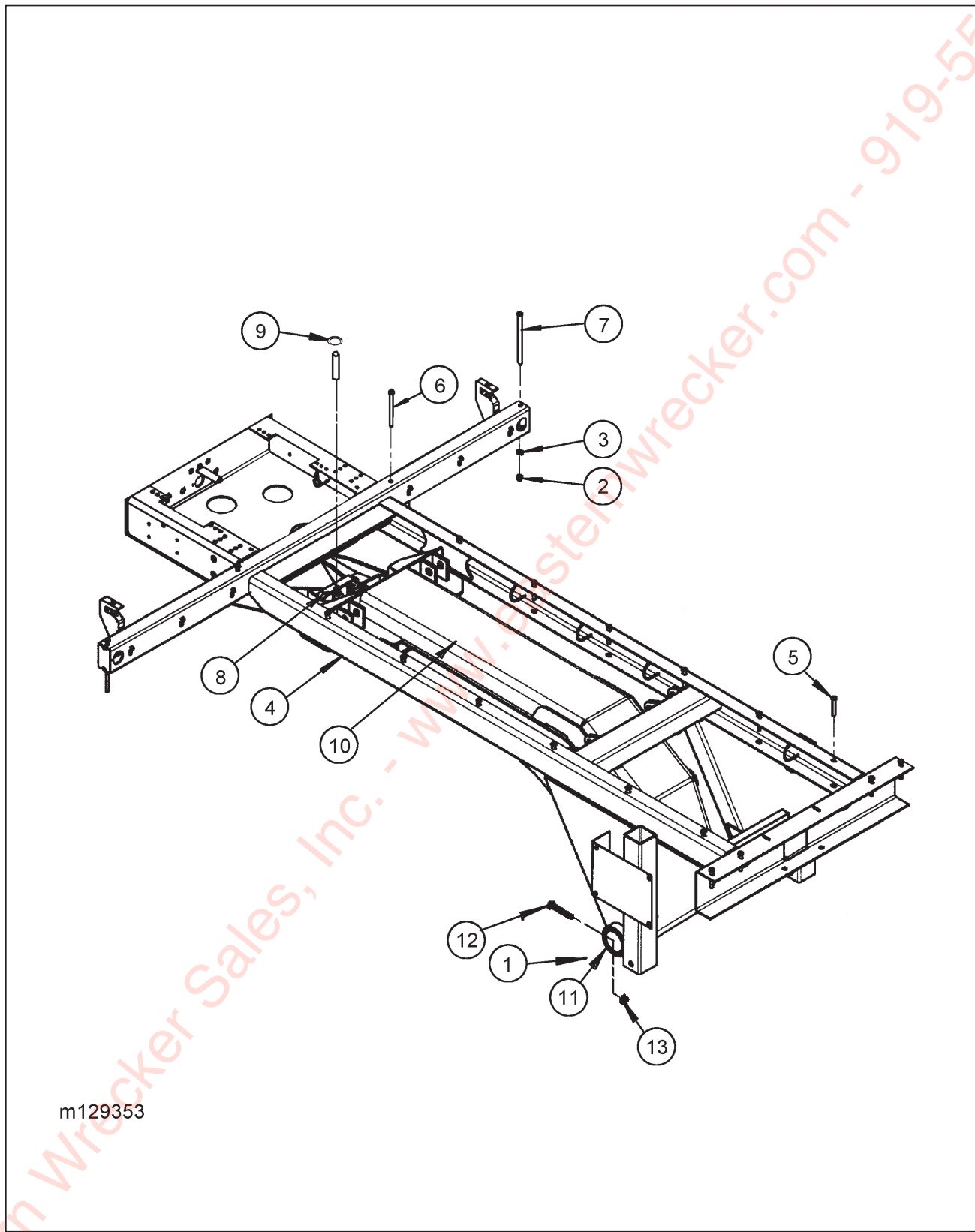


m130087

Figure 1-2 Hitch Assembly (Used w/ Over-the-road Trucks)

## HITCH ASSEMBLY (USED W/ OVER-THE-ROAD TRUCKS)

ITEM	PART NO.	DESCRIPTION	QTY.
	130087	HITCH INSTALLATION 341 5TH WHEEL	
1	1-298-010001-1	FITTING GRS STR SHORT 1/4-28	6
2	1-512-010005-09	NUT, HEX LOCK 1/2-13 GRB	20
3	1-861-010032-14	WASHER, FLAT 1/2N	20
4	130089	SUPPORT, HITCH	1
5	129910	SCREW, BUTTON HEAD 1/2-13 X 3-1/2	16
6	129455	SCREW, BUTTON HEAD 1/2-13 X 6-1/2	2
7	129456	SCREW, BUTTON HEAD 1/2-13 X 10-1/2	2
8	1-647-010004255	ROLL PIN SLOTTED 3/8 X 2	2
9	128997	PLATE WELDMENT	1
10	3-557-010030	HINGE PIN 5TH WHEEL	1
11	130088	HITCH WELDMENT 5TH WHEEL	1
12	3-311-010578	HINGE TUBE MCKEE	1
13	1-654-010061-07	SCREW, HEX HEAD CAP 3/4-10 X 2-1/2 GR5	1
14	1-512-010005-15	NUT, HEX LOCK 3/4-10	1

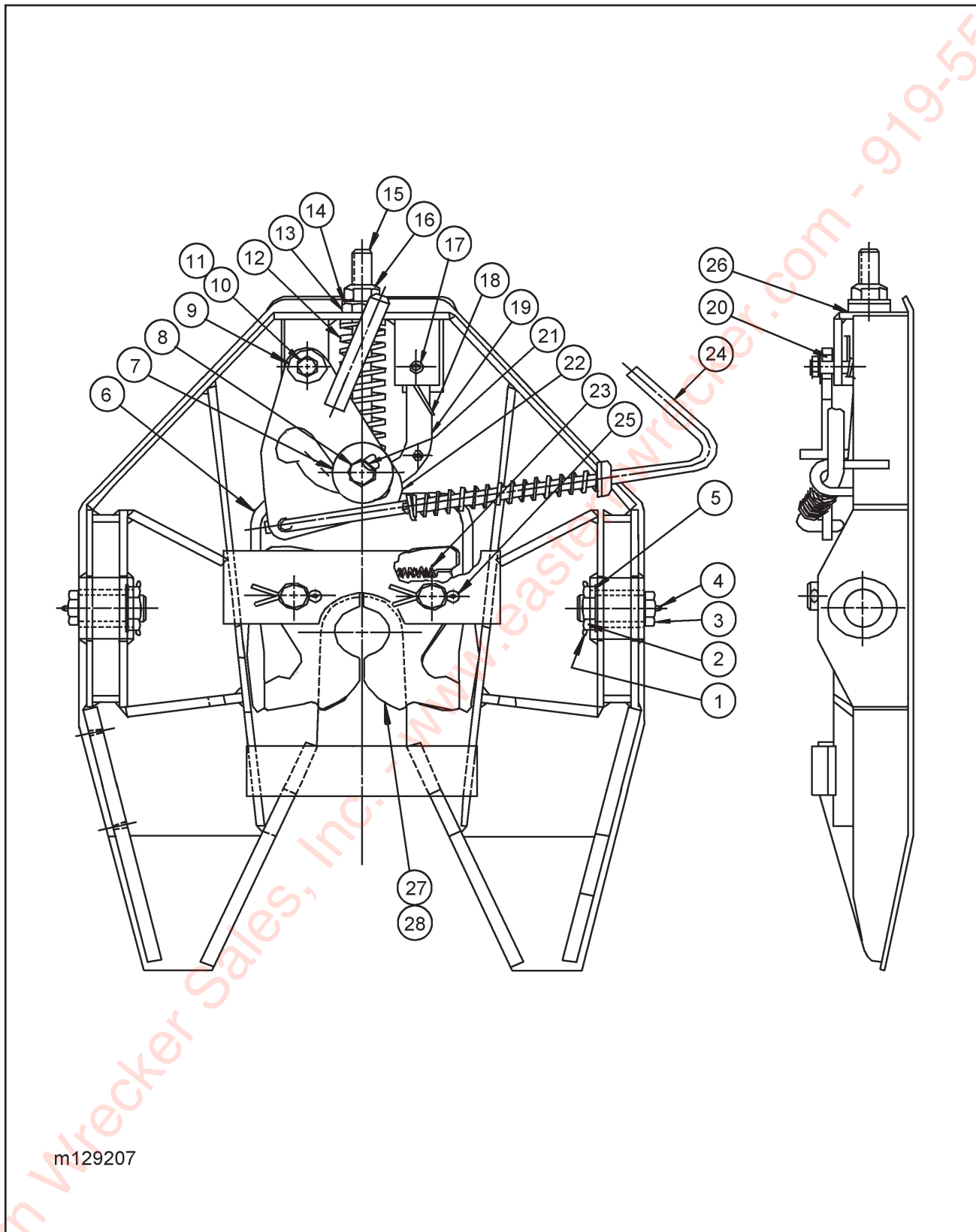


m129353

Figure 1-3 Hitch Assembly w/ Retractable Kingpin

## HITCH ASSEMBLY W/ RETRACTABLE KINGPIN

ITEM	PART NO.	DESCRIPTION	QTY.
	129353	HITCH INSTALLATION 341	
1	1-298-010001-1	FITTING GRS STR SHORT 1/4-28	2
2	1-512-010005-09	NUT, HEX LOCK 1/2-13 GRB	20
3	1-861-010032-14	WASHER, FLAT 1/2N	20
4	128996	SUPPORT, HITCH WELDMENT	1
5	129910	SCREW, BUTTON HEAD 1/2-13 X 3-1/2	16
6	129455	SCREW, BUTTON HEAD 1/2-13 X 6-1/2	2
7	129456	SCREW, BUTTON HEAD 1/2-13 X 10-1/2	2
8	129207	FIFTH WHEEL, LIGHT DUTY (SEE PAGE 1-7)	1
9	129849	WASHER, 5TH WHEEL PIN	2
10	130088	HITCH WELDMENT 5TH WHEEL	1
11	3-311-010578	HINGE TUBE MCKEE	1
12	1-654-010061-07	SCREW, HEX HEAD CAP 3/4-10 X 2-1/2 GR5	1
13	1-512-010005-15	NUT, HEX LOCK 3/4-10	1



m129207

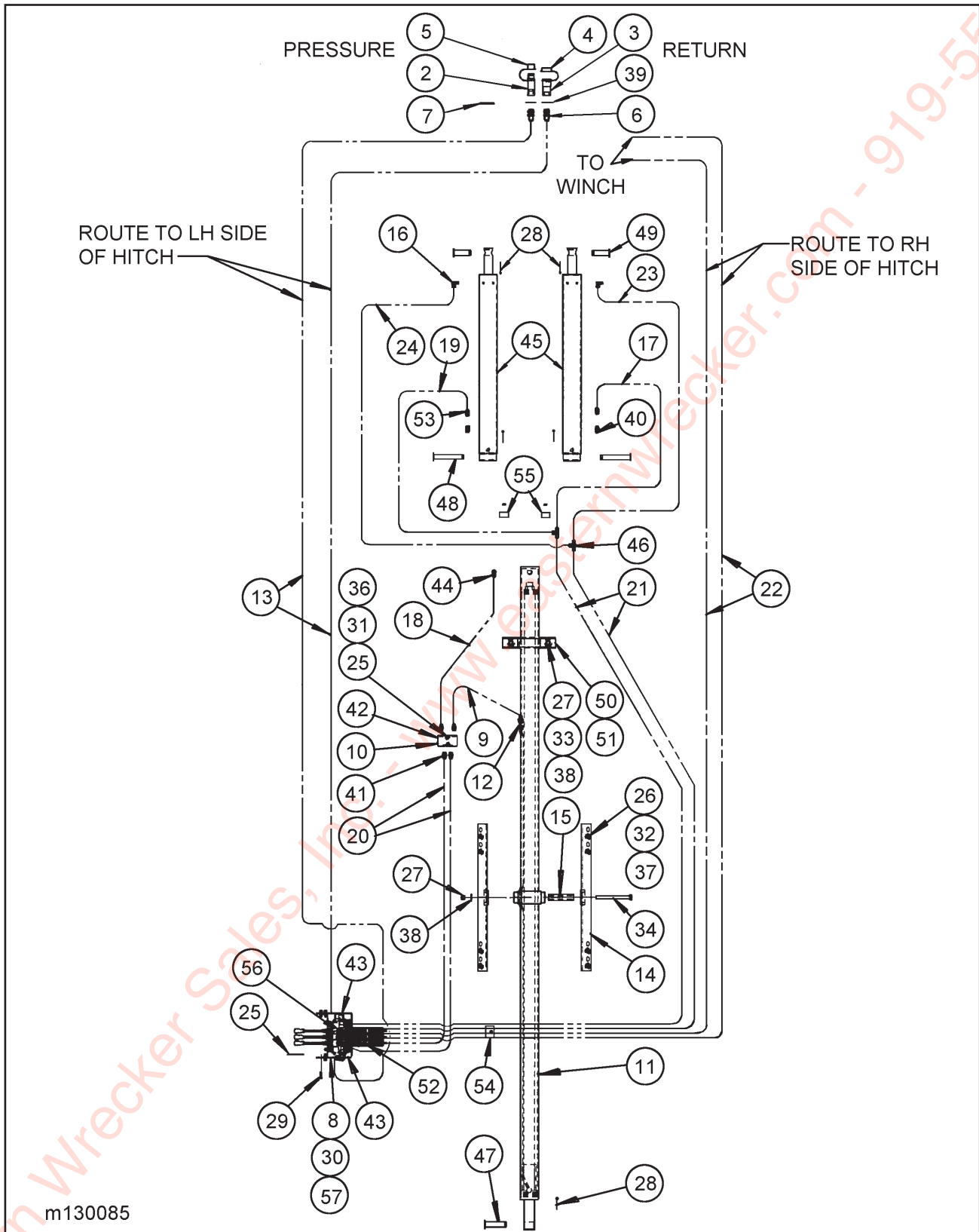
Figure 1-4 Light Duty Fifth Wheel Parts



## LIGHT DUTY FIFTH WHEEL PARTS

ITEM	PART NO.	DESCRIPTION	QTY.
	129207	FIFTH WHEEL, LIGHT DUTY	1
1	131016	COTTER PIN 1/4 X 2-1/2	2
2	131017	NUT, HEX SLOT 1-1/2 - 4	2
3	131018	BOLT, BRACKET	2
4	131019	FITTING, GREASE	2
5	131074	WASHER	2
6	-----	YOKE S/A	1
7	-----	WASHER	2
8	-----	SCREW, HEX HEAD CAP 5/8-18 X 1-3/4	1
9	-----	WASHER, 1/2	3
10	-----	SCREW, HEX HEAD CAP 1/2-2 X 1-3/4	1
11	-----	NUT, LOCK 1/2-20	1
12	-----	SPRING	1
13	-----	WASHER, RUBBER	1
14	-----	WASHER, 3/4	1
15	-----	SHAFT, YOKE	1
16	-----	NUT, LOCK	1
17	-----	PIN, ROLLED	1
18	-----	SPRING, TORSION	1
19	-----	LOCK S/A, SECONDARY	1
20	-----	ROLLER	1
21	-----	ROLLER, CAM	1
22	-----	PLATE S/A, CAM	1
23	-----	SPRING, EXTENSION	1
24	-----	KIT, HANDLE	1
25	-----	COTTER, 1/4 X 2	2
26	-----	TAG, LOCK ADJ.	1
27	-----	SET, LOCK	1
28	-----	PIN, LOCK	2
29	-----	FITTING, GREASE (NOT SHOWN)	2
30	131020	REBUILD KIT (INCL. ITEMS 6-29)	1

NOTE: ITEMS 6 - 29 ARE NOT SOLD SEPARATELY. BUY REBUILD KIT P/N 131020.



m130085

Figure 1-5 Hydraulic System

## HYDRAULIC SYSTEM

ITEM	PART NO.	DESCRIPTION	QTY.
	130085	HYDRAULIC INSTALLATION CONTROLS	
1	43028	HOSE WRAP 3/8 (NOT SHOWN)	AR
2	105479	COUPLER, FLAT FACE MALE	1
3	105480	COUPLER, FLAT FACE FEMALE	1
4	105481	COUPLER, DUST CAP MALE	1
5	105482	COUPLER, DUST CAP FEMALE	1
6	105483	ADAPTER BULKHEAD 12JIC-12ORING	2
7	105822	DECAL, HYDRAULIC COUPLER	REF
8	116837	VALVE MOUNT WELDMENT, CONTROLS	1
9	123969	HOSE ASSEMBLY 1/2 X 21	1
10	124696	VALVE, CHECK DOUBLE PILOT	1
11	127199	CYLINDER 4 X 138 (SEE PAGE 1-10)	1
12	127806	ADAPTER, HYDRAULIC W/ RESTRICTOR	1
13	128470	HOSE ASSEMBLY 3/4 X 290	2
14	129222	ANCHOR WELDMENT, U/C CYLINDER	2
15	129229	TUBE, ROUND	1
16	1-007-010003	ELBOW, 90 SWIVEL W/ RESTRICTOR	2
17	1-397-010301048	HOSE ASSEMBLY 1/2 X 48	1
18	1-397-010301042	HOSE ASSEMBLY 1/2 X 42	1
19	1-397-010301074	HOSE ASSEMBLY 1/2 X 74	1
20	1-397-010301108	HOSE ASSEMBLY 1/2 X 108	2
21	1-397-010301170	HOSE ASSEMBLY 1/2 X 170	2
22	1-397-010302298	HOSE ASSEMBLY 1/2 X 298	2
23	1-397-010361084	HOSE ASSEMBLY 1/2 X 84	1
24	1-397-010361108	HOSE ASSEMBLY 1/2 X 108	1
25	1-510-010001	NUT, FLANGE LOCK 3/8-16	11
26	1-512-010005-09	NUT, HEX LOCK 1/2-13 GRB	8
27	1-512-010005-13	NUT, HEX LOCK 5/8-11 GRB	3
28	1-557-010362-54	PIN, COTTER 3/16 X 2-1/4	9
29	1-654-010051-06	SCREW, HEX HEAD CAP 3/8-16 X 1-1/4 GR5	4
30	1-654-010051-05	SCREW, HEX HEAD CAP 3/8-16 X 1 GR5	6
31	1-654-010051-10	SCREW, HEX HEAD CAP 3/8-16 X 2-1/4 GR5	2
32	1-654-010055-04	SCREW, HEX HEAD CAP 1/2-13 X 1-3/4 GR5	8
33	1-654-010059-05	SCREW, HEX HEAD CAP 5/8-11 X 2 GR5	2
34	1-654-010059-21	SCREW, HEX HEAD CAP 5/8-11 X 8 GR5	1
35	1-796-010003-02	TY-WRAP (NOT SHOWN)	AR
36	1-861-010032-11	WASHER, FLAT 3/8W	2
37	1-861-010032-15	WASHER, FLAT 1/2W	8
38	1-861-010032-19	WASHER, FLAT 5/8W	7
39	1-861-010059-21	WASHER, LOCKING INTERNAL TOOTH 1-1/8	2
40	2023-8-8S	ADAPTER, 45	2
41	202702-8-8S	ADAPTER	4
42	3-659-010013	SEAL NEOPRENE SPONGE	AR
43	2062-10-12S	ADAPTER, 90	2
44	2062-8-8S	ADAPTER, 90	1
45	3-242-010207	CYLINDER, HYDRAULIC 4 X 36 (SEE PAGE 1-11)	2
46	3-299-010016	ADAPTER TEE	2
47	3-557-010032	PIN, CYLINDER U/C	1
48	3-557-010033	PIN, CYL BUTT END	2
49	3-557-010059	PIN, CYL ROD END	2
50	3-711-010108	SPACER BED CYL	1
51	3-755-010003	SUPPORT CYL MIDDLE	1
52	114540	VALVE 3 STACK 2ND MTR SOL (SEE PAGE 1-13)	1
53	3-846-010156	VALVE RESTRICTOR 3/64-ONE WAY	2
54	3-181-010007	HOSE CLAMP TOP PLATE	6
55	2-181-010001	CLAMP	2
56	2061-8-8S	ADAPTER, 45	6
57	1-861-010034-11	WASHER, SPLIT LOCK 3/8	3

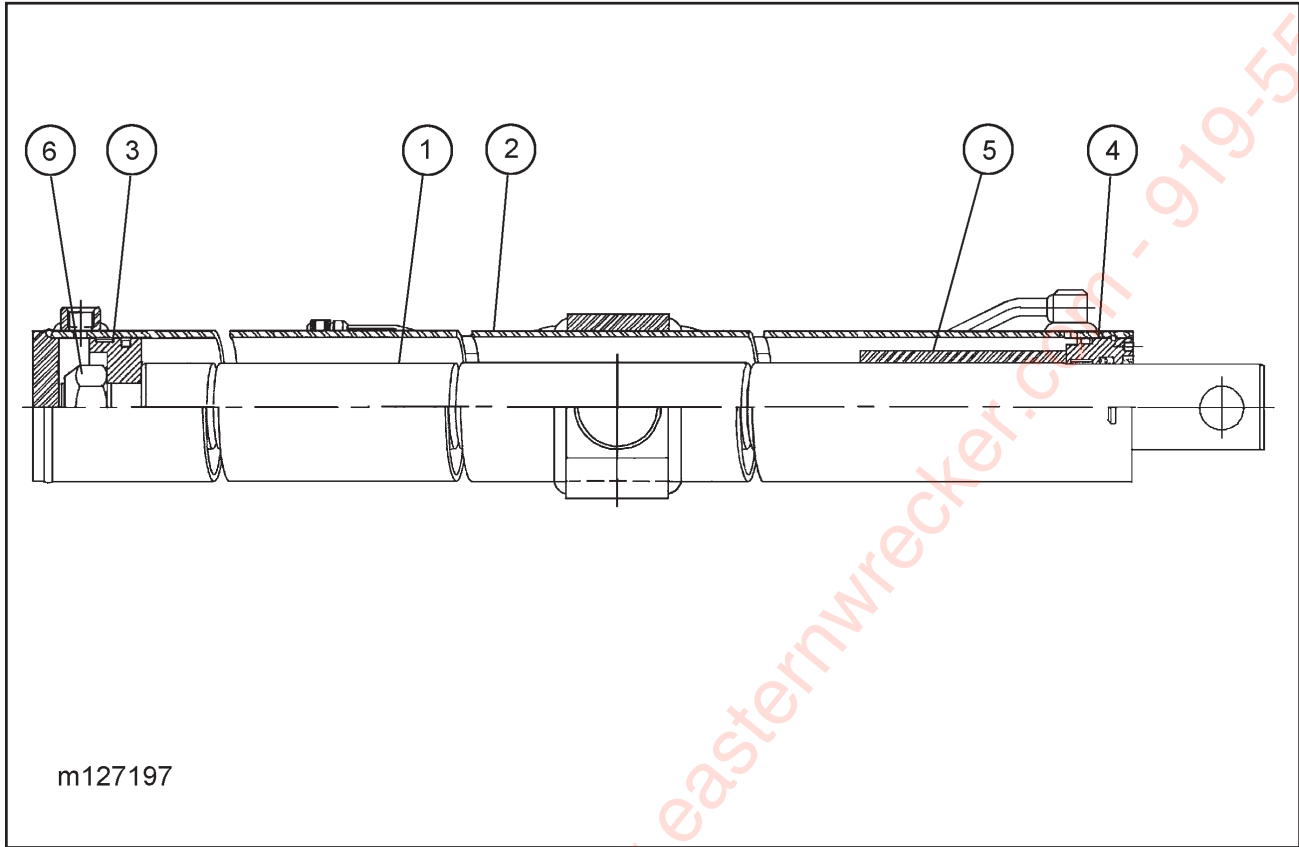


Figure 1-6 4 x 138 Hydraulic Cylinder Assembly

### CYLINDER, HYDRAULIC 4 X 138

ITEM	PART NO.	DESCRIPTION	QTY.
	127199	CYLINDER, HYDRAULIC 4 X 138	
1	127995	PISTON ROD	1
2	----	BUTT & TUBE ASSEMBLY	1
3	125180	PISTON	1
4	125181	GLAND	1
5	125187	SPACER	1
6	125183	LOCKNUT 1-3/8 - 12	1
	125184	PACKING KIT (CONTAINS ALL SEALS AND O-RINGS)	

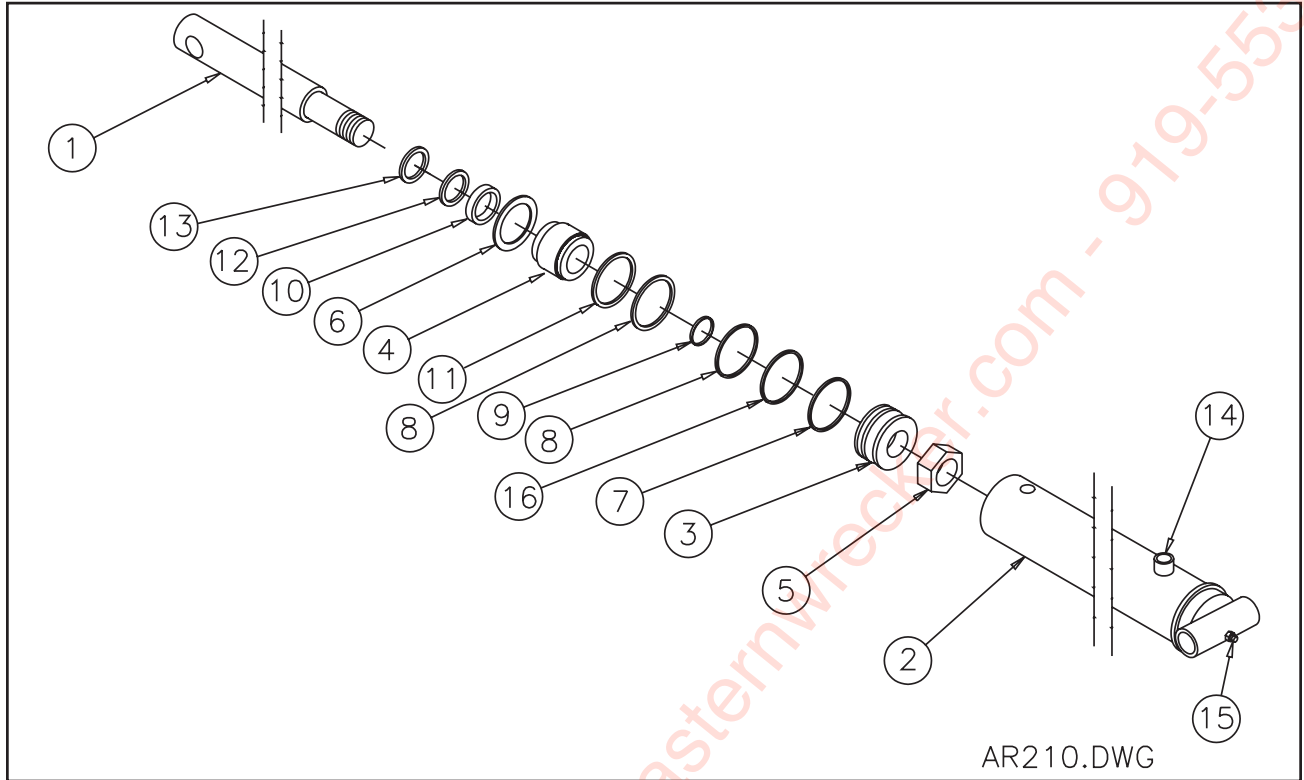
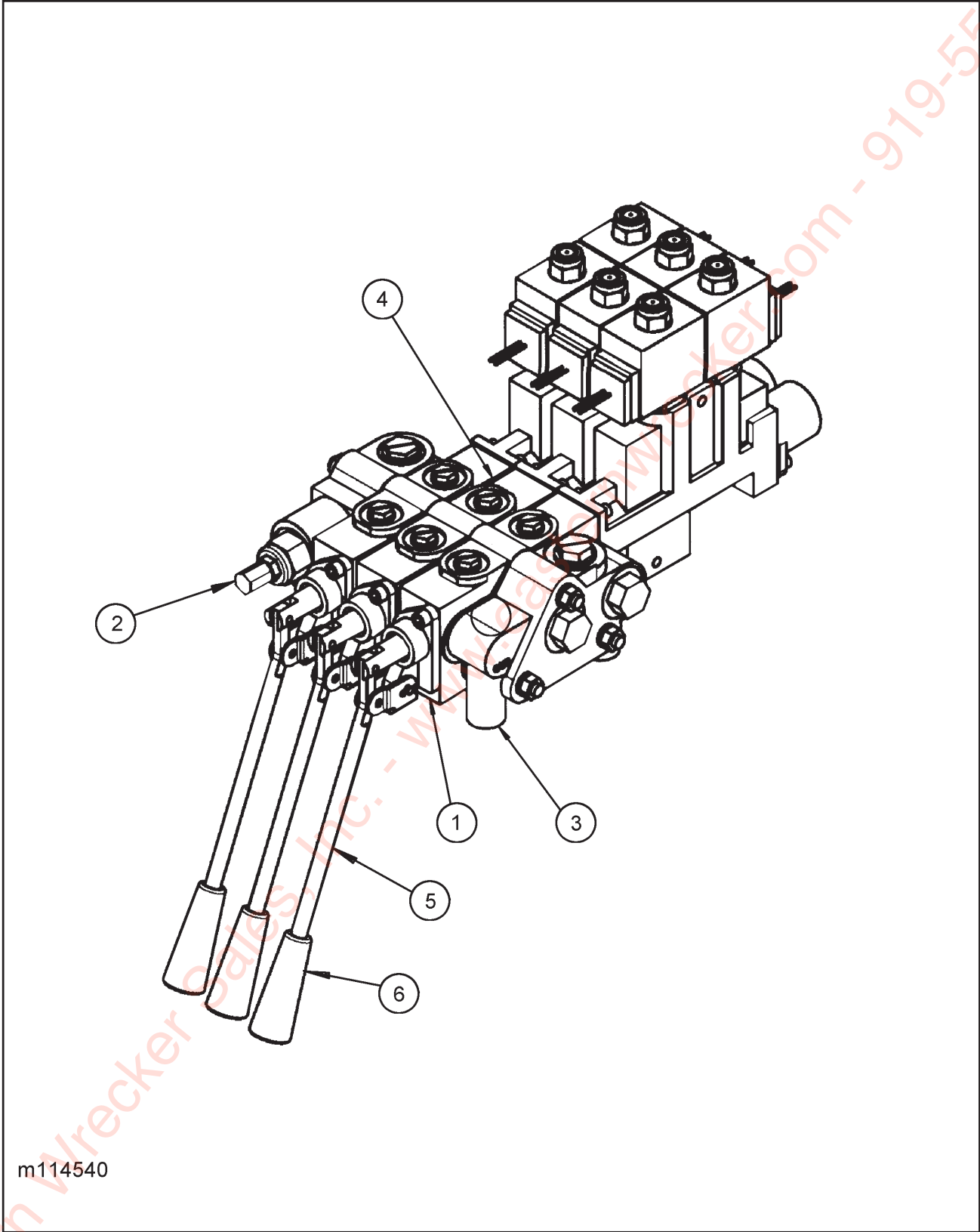


Figure 1-7 4" x 36" Hydraulic Cylinder Assembly

### HYDRAULIC CYLINDER, 4" X 36"

ITEM	PART NO.	DESCRIPTION	QTY.
	3-242-010207	CYLINDER, HYD., 4"X36" (PRINCE #PMC-5636)	1
1	011100078	PISTON ROD	1
2	061900042	BUTT AND TUBE ASSY.	1
3	071900019	PISTON	1
4	081900019	GLAND	1
5	220000212	LOCKNUT	1
6	*	SNAP RING	1
7	*	PISTON RING	1
8	*	O-RING	2
9	*	O-RING	1
10	*	QUAD RING	1
11	*	B/U WASHER	2
12	*	B/U WASHER	1
13	*	WIPER	1
14	200018003	PIPE PLUG	2
15	270010002	GREASE ZERK	1
16	240061342	B/U WASHER	1
	PMCK-5600	PACKING KIT (ITEMS 6 - 13) (CONTAINS ALL NECESSARY SEALS AND O-RINGS)	1

\* NOT SOLD SEPARATELY



m114540

Figure 1-8 Valve Assembly, Three Spool

## VALVE ASSEMBLY THREE SPOOL

ITEM	PART NO.	DESCRIPTION	QTY
	114540	VALVE, 3 STACK 2ND MOTOR SOLENOID	
1	660580005	SOLENOID WORK SECTION KIT	1
2	660580002	INLET SECTION KIT	1
3	660580003	OUTLET SECTION KIT	1
4	660580004	O-RING KIT (SEAL KIT BETWEEN SECTIONS)	1
5	670400012	HANDLE, VALVE	3
6	670400020	HANDLE, PLASTIC KNOB	3

Eastern Wrecker Sales, Inc. - www.easternwrecker.com - 919-553-4038

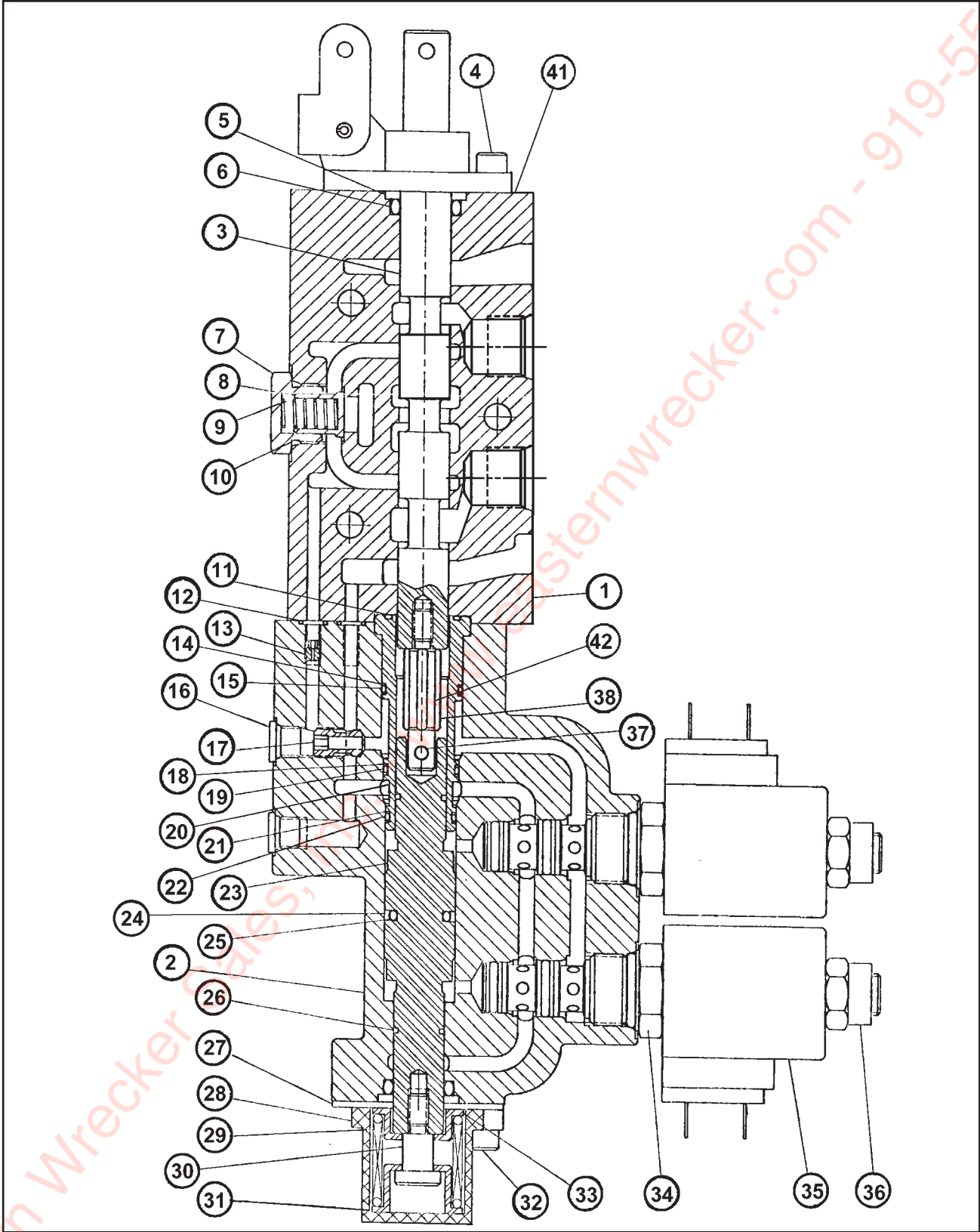


Figure 1-9 Valve Assembly, Three Spool



## THREE SPOOL VALVE, WORK SECTIONS

ITEM	PART NO.	DESCRIPTION	QTY
	SVW1BA1-S12H	1ST AND 3RD WORK SECTION	
	SVW1CA1-S12H	MIDDLE WORK SECTION	
1	-----	VALVE BODY	1
2	626230001	ACTUATOR BODY	1
3	-----	SPOOL	1
4	170003017	CAP SCREW	2
5	670500045	SPOOL BACKUP WASHER	2
6	240000208	O-RING	2
7	671600049	LOAD CHECK PLUG	1
8	670100008	LOAD CHECK POPPET	1
9	670300029	LOAD CHECK SPRING	1
10	240000908	O-RING	1
11	240000019	O-RING	1
12	240000009	O-RING	2
13	671400086	ORIFICE PLUG	1
14	240044020	BACKUP WASHER	2
15	240000020	O-RING	1
16	200100189	STEEL PLUG	2
17	671600063	PLUG	1
18	240044019	BACKUP WASHER	2
19	240000019	O-RING	1
20	671400079	SLEEVE	1
21	240044018	BACKUP WASHER	2
22	240000018	O-RING	1
23	610100011	SPOOL	1
24	240016230	GLYD-RING	1
25	240000113	O-RING	1
26	240019014	BACKUP WASHER	2
27	670500044	RETAINER PLATE	2
28	671400033	END CAP	1
29	670300030	SPRING	1
30	671400078	ADAPTER	1
31	671400076	OUTER STOP CUP	1
32	170003008	CAP SCREW	2
33	671400077	INNER STOP CUP	1
34	660263002	SOLENOID CARTRIDGE	2
35	131092	SOLENOID COIL	2
36	671800021	COIL NUT	2
37	190100046	PIN	1
38	671900071	ADAPTER	1
39	170003037	CAPSCREW (NOT SHOWN)	4
40	220001010	LOCK WASHER (NOT SHOWN)	4
41	660580004	O-RING KIT	1
42	671400207	PIN	2
43	660590008	SOLENOID CARTRIDGE SEAL KIT (NOT SHOWN)	1

NOTE: ITEMS 1 AND 3 ARE MATCHED PARTS AND NOT SOLD SEPARATELY.

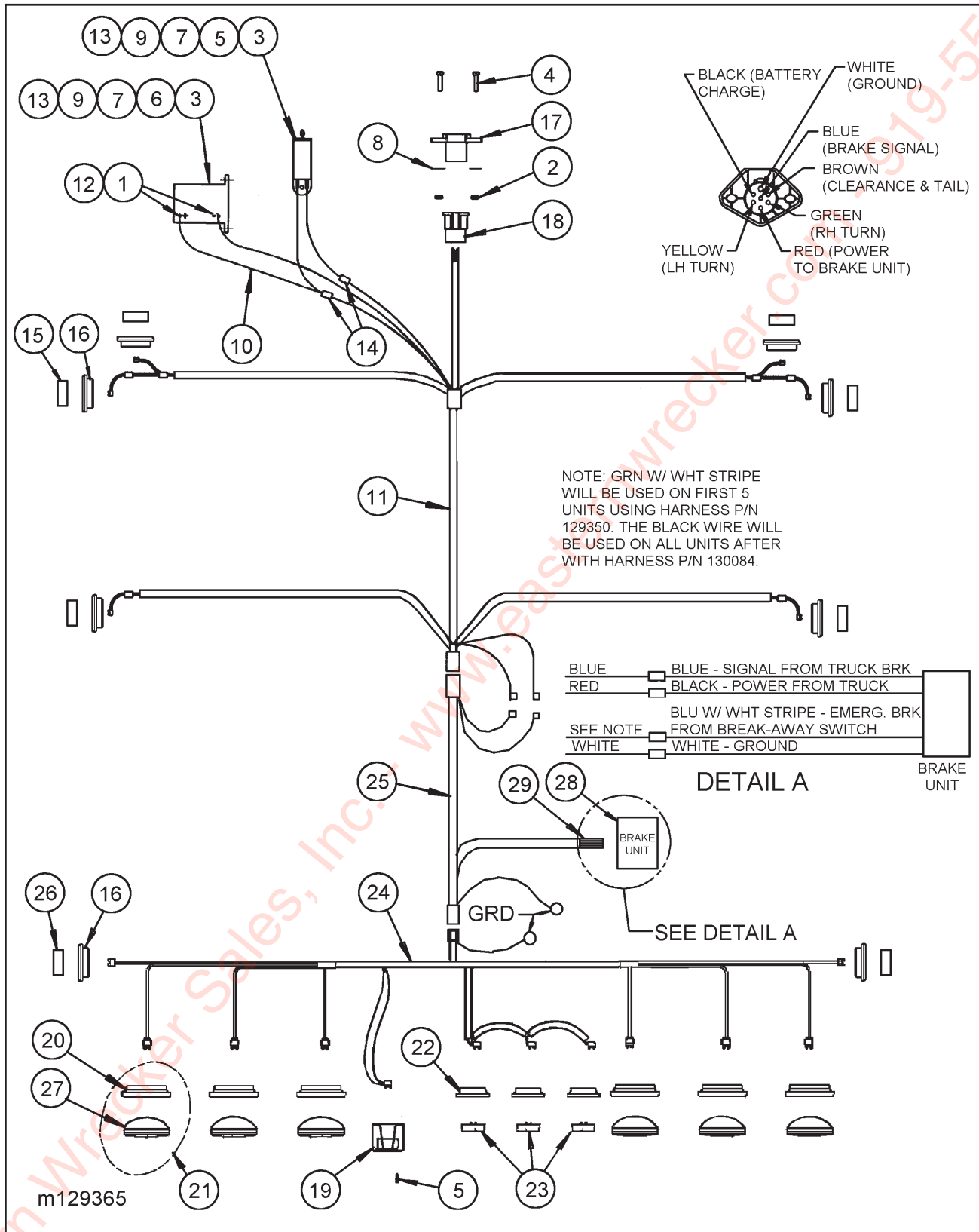


Figure 1-10 Electrical System Schematic

## ELECTRICAL SYSTEM

ITEM	PART NO.	DESCRIPTION	QTY.
	129363	ELECTRICAL INSTALLATION STD	
	129364	ELECTRICAL INSTALLATION LED	
	129359	SUSPENSION INSTALLATION	
1	1-203-010040-5	CONNECTOR, INSUL FEMALE PUSH-ON	2
2	1-512-010005-03	NUT HEX LOCK 5/16-18 GRB	2
3	1-512-010007-03	NUT, HEX 10-24	5
4	1-654-010049-06	SCREW HEX HEAD CAP 5/16-18 X 1-1/4 GR5	2
5	1-656-010003051	SCREW ROUND HEAD MACH #10-24X3/4	3
6	1-656-010003055	SCREW ROUND HEAD MACH #10-24X1-1/4	4
7	1-861-010032-03	WASHER, FLAT #10	5
8	1-861-010032-09	WASHER, FLAT 5/16W	2
9	1-861-010034-07	WASHER SPLIT LOCK #10	5
10	1-879-010014	WIRE, BLACK 12 AWG	12"
11	129350	HARNESS, FRONT MAIN (PRIOR 12/03/03) (REPLACE W/ P/N 130083)	1
	130083	HARNESS, FRONT MAIN (AFTER 12/03/03) (USE W/ P/N 130084)	1
12	239-9961	INSULATION, OUTER	AR
13	3-128-010032	BRAKE KIT, ELEC BRAKE-AWAY	1
	115928	REPLACEMENT SWITCH FOR 3-128-010032	
	123497	REPLACEMENT BATTERY FOR 3-128-010032	
14	3-272-010022	ELEC BUTT SPLICE	2
15	30200Y	2" SEALED CLEARANCE, YELLOW	6
	127228	LIGHT, 2" YELLOW LED CLEARANCE	6
16	30700	GROMMET FOR 2" LAMP	8
17	59S-7	RECEPTACLE 7 PIN	1
18	59W-2-3	RUBBER BOOT	1
19	15009	LICENSE LAMP	1
	15725	BRACKET	1
	15700	GROMMET	1
	15206	LAMP	1
20	60700	GROMMET, LIGHT	6
21	106371	LIGHT, TRN-TL-STOP W/ GROMMET (INCL. 20 & 27)	6
	116131	LIGHT RED STOP-TRN-TL LED	6
22	107598	GROMMET, RECT. C./MKRLAMP	3
23	107599	LIGHT, RED CLEARANCE	3
	113374	LIGHT, RED LED CLEARANCE	3
24	129248	HARNESS, BUMPER	1
	129249	HARNESS, BUMPER LED	1
25	129349	HARNESS ASSEMBLY, E-CHAIN (PRIOR 12/03/03) (REPLACE W/ P/N 130084)	1
	130084	HARNESS ASSEMBLY, E-CHAIN (AFTER 12/03/03) (USE W/ P/N 130083)	
26	30200R	REFLECTIVE LAMP RED	2
	127256	LIGHT, 2" RED LED CLEARANCE	2
27	60202R	LAMP, STOP TAIL 3 X 7 RED	6
28	129208	ACTUATOR, ELEC/HYD	REF
29	3-272-010022	ELECT BUTT SPLICE 12-10 W/ SEAL	5

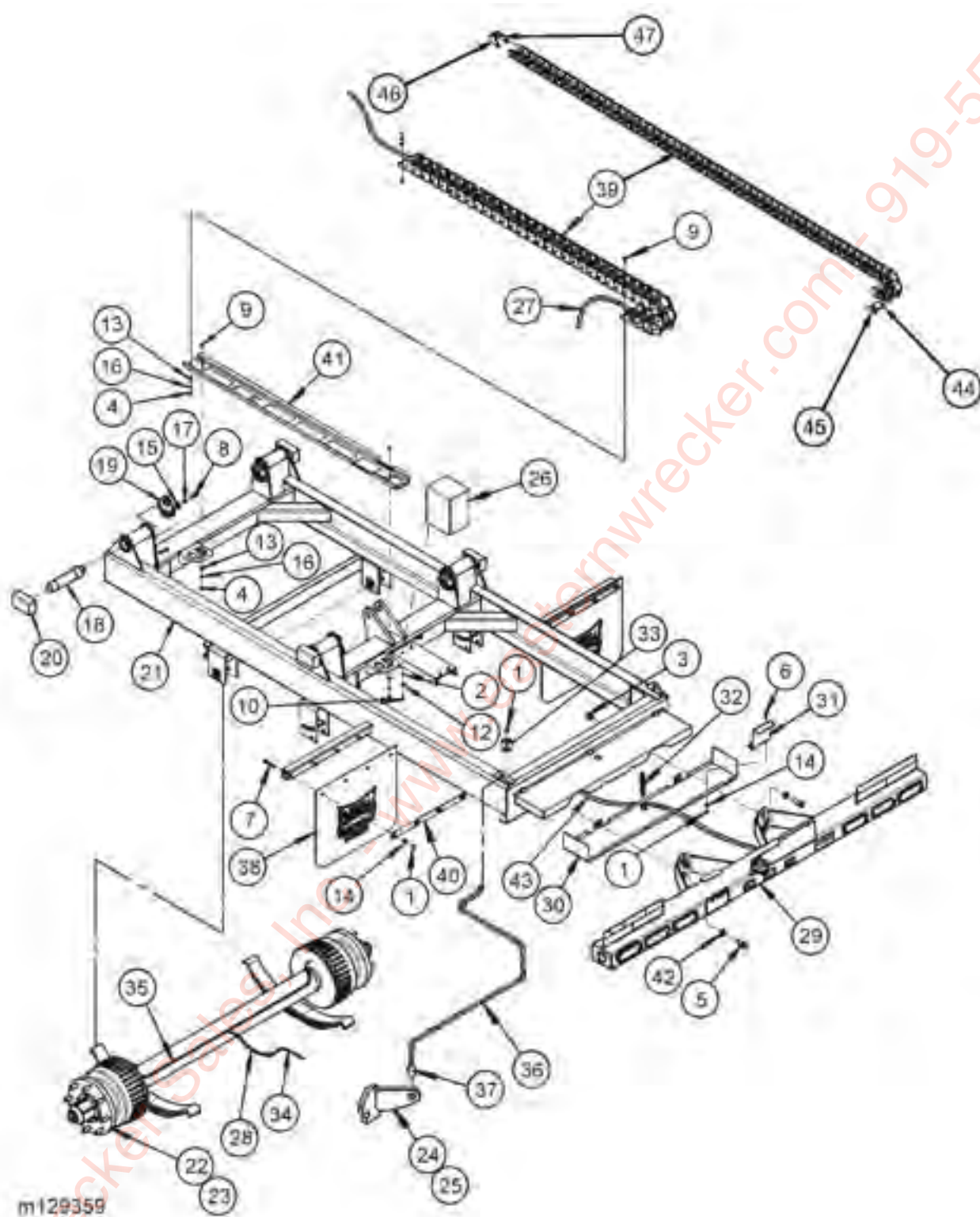


Figure 1-11 Undercarriage Assembly - Spring Ride  
Single Axle

## UNDERCARRIAGE ASSEMBLY - SPRING RIDE

ITEM	PART NO.	DESCRIPTION	QTY.
	129359	SUSPENSION ASSEMBLY S/R	
1	1-510-010001	NUT, FLANGE LOCK 3/8-16	13
2	1-512-010003-06	NUT, HEX LOCK 10-24	4
3	1-512-010005-15	NUT, HEX LOCK 3/4-10 GRB	4
4	1-512-010007-05	NUT, HEX 1/4-20 GRB	11
5	1-654-010032-4	SCREW, HEX HEAD CAP 3/4-10X1-3/4 GR5	4
6	1-654-010051-05	SCREW, HEX HEAD CAP 3/8-16 X 1 GR5	4
7	1-654-010051-13	SCREW, HEX HEAD CAP 3/8-16 X 3 GR5	8
8	1-654-010055-02	SCREW, HEX HEAD CAP 1/2-13X1-1/4 GR5	4
9	1-654-010158-1	SCREW, RD HEAD SQ NECK 1/4-20X3/4 GR5	11
10	1-656-010003053	SCREW, RD HEAD MACH 10-24 X 1	4
11	1-796-010004-02	TIE STRAP (NOT SHOWN)	AR
12	1-861-010032-03	WASHER, FLAT #10	4
13	1-861-010032-07	WASHER, FLAT 1/4W	11
14	1-861-010032-11	WASHER, FLAT 3/8W	13
15	1-861-010032-15	WASHER, FLAT 1/2W	4
16	1-861-010034-09	WASHER, SPLIT LOCK 1/4	11
17	1-861-010034-13	WASHER, SPLIT LOCK 1/2	4
18	126976	PIN, SUPPORT U/C NYLATRON	4
19	126982	STOP, PIN ROTATION U/C	4
20	128966	NYLATRON SLIDE PIVOT	4
21	128968	U/C WELDMENT, SPRING	1
22	128971	KIT, HARDWARE 15K (SEE PAGE 1-21)	1
23	128972	AXLE, HYDRAULIC BRAKE 15K 78" TRACK (SEE PAGES 1-21 - 1-25 FOR PARTS BREAKDOWNS)	1
24	128973	CONNECTOR, CONTAINER REAR PULL, LH	1
25	128974	CONNECTOR, CONTAINER REAR PULL, RH	1
26	129208	BRAKE ACTUATOR, ELEC/HYD (NO REPLACEMENT PARTS)	1
27	129349	HARNESS ASSEMBLY, E-CHAIN (PRIOR 12/03/03) (REPLACE W/ P/N 130084)	1
	130084	HARNESS ASSEMBLY, E-CHAIN (AFTER 12/03/03) (USE W/ P/N 130083)	
28	129394	SINGLE AXLE BRAKE LINE KIT (INCL BRAKE LINE FITTINGS)	1
29	129942	BUMPER WELDMENT	1
30	129951	BRACKET, CHAIN STORAGE	1
31	129952	BRACKET, SUPPORT CHAIN STORAGE	2
32	129985	SPRING, EXTENSION	1
33	2-181-010001	CLAMP	8
34	3-158-010003	3/16" X 12" STEEL BRAKE LINE	1
35	3-158-010015	3/16" X 30" STEEL BRAKE LINE	1
36	3-174-010026	CHAIN, TRANSPORT 3/8 GR 70	AR
37	3-174-010042	CHAIN LINK CONNECTING 3/8	4
38	3-485-010001	MUD FLAP	2
39	3-755-010189-03	SUPPORT E-CHAIN (BEFORE 6-3-2015)	1
	3-755-010189-1	LINK (BEFORE 6-3-2015)	1
	380-1	END MOUNTING BRACKET W/ HOLE (BEFORE 6-3-2015)	2
	380-2	END MOUNTING BRACKET W/ PIN (BEFORE 6-3-2015)	2
	189316	SUPPORT CHAIN, 34 LINKS (AFTER 6-3-2015)	1
40	3-762-010017	CLAMP MUD FLAP	2
41	3-821-010005	TRAY CAT TRACK	1
42	622-3511-008	WASHER 3/4	4
43	129248	HARNESS, BUMPER	REF
	129249	HARNESS, BUMPER LED	REF
44	190701	BRACKET WLDMT, E-CHAIN LH (AFTER 6-3-2015)	1
45	190706	BRACKET WLDMT, E-CHAIN RH (AFTER 6-3-2015)	1
46	190700ZP	BRACKET, E-CHAIN LH (AFTER 6-3-2015)	1
47	190705ZP	BRACKET, E-CHAIN RH (AFTER 6-3-2015)	1
	189380	FIELD INSTALLATION KIT (ITEMS 39 & 44-47)	1

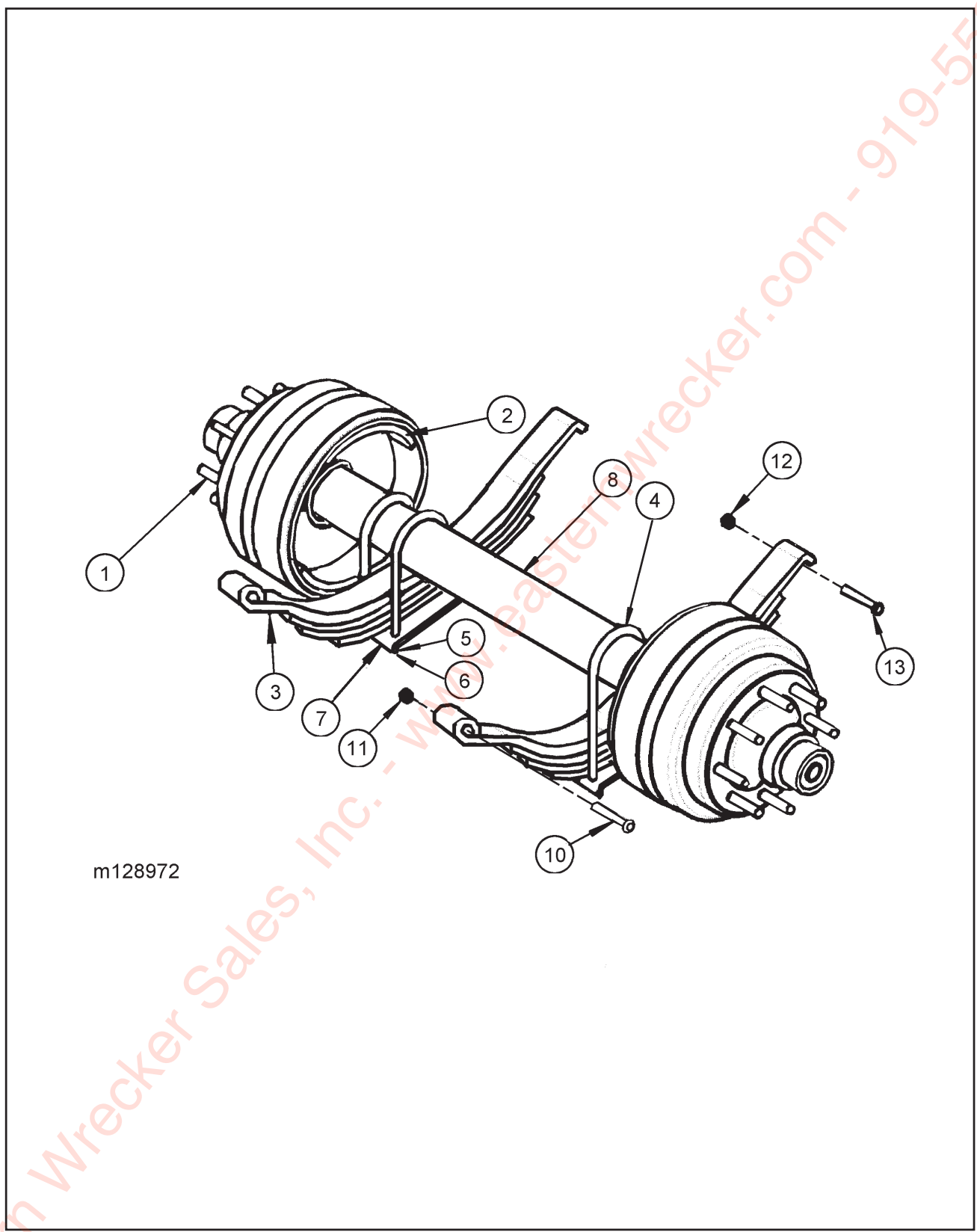


Figure 1-12 Axle Assembly

## AXLE ASSEMBLY

ITEM	PART NO.	DESCRIPTION	QTY
1	----	HUB AND DRUM ASSEMBLY (SEE PAGE 1-25)	2
2	----	12-1/4" x 5" HYDRAULIC BRAKE PARTS (SEE PAGE 1-23)	1
3	130649	SLIPPER SPRING	2
4	131063	U-BOLT	4
5	131061	WASHER, FLAT	8
6	131062	NUT, LOCK	8
7	131064	TIE PLATE	2
8	----	AXLE, 15K 78" TRACK	1
9	131065	SUSPENSION KIT (INCLUDES HANGERS AND HARDWARE) (NOT SHOWN)	
	128971	KIT, HARDWARE 15K (INCL ITEMS 10-13)	
10	007-169-00	SPRING EYE BOLT	2
11	006-112-00	LOCK NUT 1-8	2
12	006-046-00	LOCK NUT 1/2-20	2
13	007-095-00	KEEPER BOLT	2

NOTE: ITEMS 10-13 ARE NOT SOLD SEPARATELY.

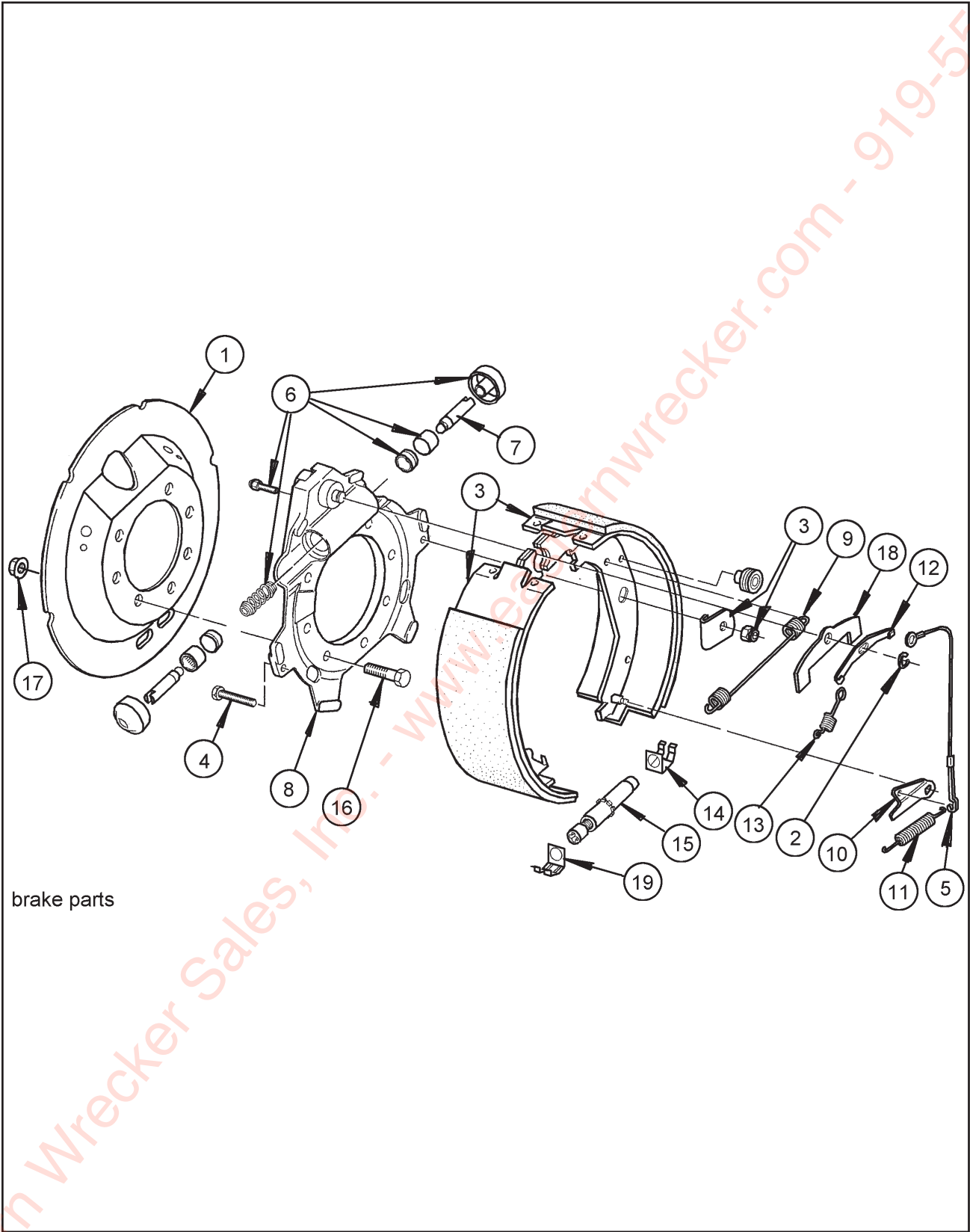


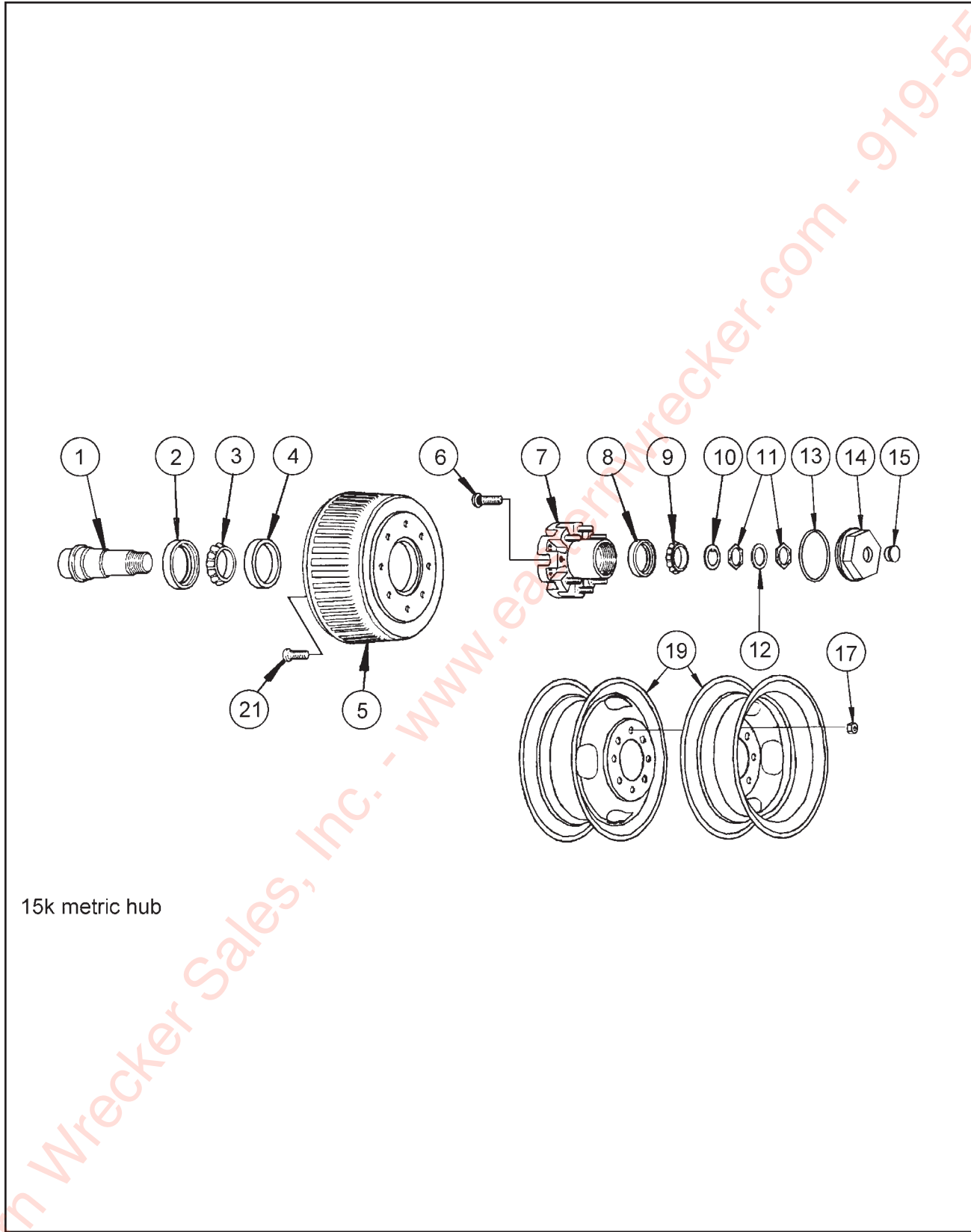
Figure 1-13 12-1/4" X 5" Hydraulic Brake Parts



## 12-1/4" X 5" HYDRAULIC BRAKE PARTS

ITEM	PART NO.	DESCRIPTION	QTY.
1	036-115-23	DUST COVER	1
2	069-053-00	RETAINER	1
3	K71-169-00	LH SHOE AND LINING KIT	1
	K71-170-00	RH SHOE AND LINING KIT	1
4	007-113-00	SHOE HOLDDOWN SCREW	2
5	071-462-00	ADJUSTER CABLE	1
6	K71-082-00	WHEEL CYLINDER KIT	1
7	054-033-00	CYLINDER PUSH ROD	2
8	036-063-04	SPIDER ASSEMBLY	1
9	046-087-00	RETRACTOR SPRING	1
10	071-464-00	LH ADJUSTER LEVER	1
	071-463-00	RH ADJUSTER LEVER	1
11	046-135-00	LH ADJUSTER LEVER SPRING	1
	146-134-00	RH ADJUSTER LEVER SPRING	1
12	071-456-00	CABLE ATTACHMENT BRACKET FSA	1
13	046-131-01	EXTENSION SPRING	1
14	046-133-00	ADJUSTER CLIP (BARREL END)	1
15	048-019-00	LH ADJUSTER ASSEMBLY	1
	048-020-00	RH ADJUSTER ASSEMBLY	1
16	007-116-00	BRAKE MOUNTING BOLT	7
17	006-092-00	BRAKE MOUNTING NUT	7
18	034-062-00	PISTON STOP	1
19	046-132-00	ADJUSTER CLIP (THREAD END)	1

NOTE: PART NUMBERS ON THIS PAGE ARE DEXTER PART NUMBERS AND CAN BE PURCHASED FROM YOUR LOCAL DEXTER SUPPLIER. LANDOLL CORPORATION DOES NOT STOCK THESE REPLACEMENT PARTS.

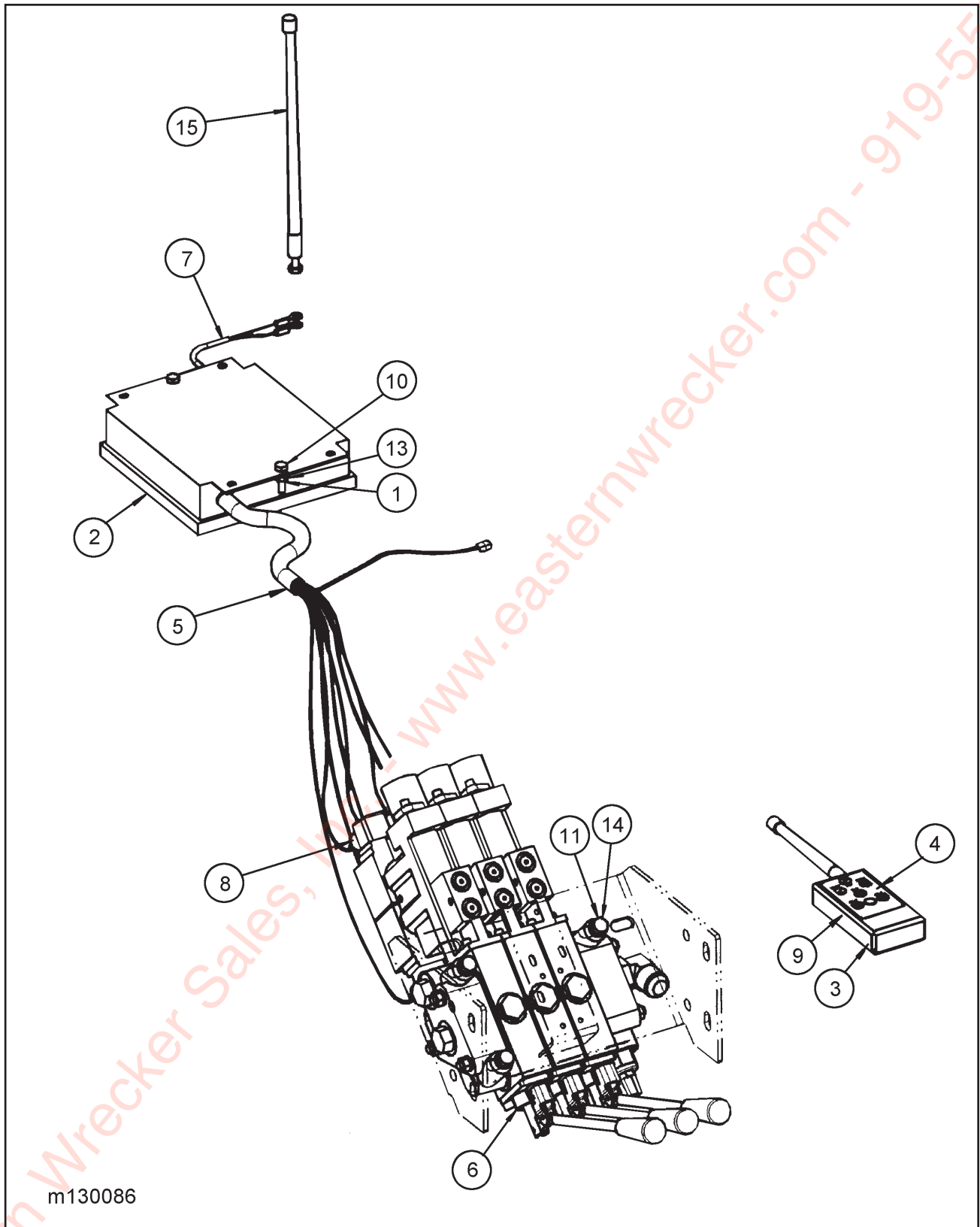


15k metric hub

Figure 1-14 15K General Duty Hub and Drum Assembly (Metric)

## 15K GENERAL DUTY HUB AND DRUM ASSEMBLY(METRIC)

ITEM	PART NO.	DESCRIPTION	QTY
1	----	AXLE BEAM, 15K 78" TRACK (5.00 X .44 TUBE)	
2	111952	UNITIZED OIL SEAL	
3	111954	INNER BEARING CONE	
4	111956	INNER BEARING CUP	
5	111958	BRAKE DRUM	
6	131069	WHEEL MOUNTING STUD	
7	131066	HUB W/ CUPS AND STUDS	
8	111963	OUTER BEARING CUP	
9	111965	OUTER BEARING CONE	
10	111966	SPINDLE WASHER	
11	111967	SPINDLE NUT	
12	111968	TANG WASHER	
13	113835	OIL CAP O-RING	
14	111948	OIL CAP	
15	101419	OIL CAP PLUG	
17	131067	WHEEL NUT	
19	3-870-010097	WHEEL, DISC PILOT MOUNT 17.5 X 6.75 GY	
21	131070	DRUM MOUNTING SCREW	
22	10RX17.5 GY	TUBELESS RAD TIRE 14PR GOODYEAR (NOT SHOWN)	
23	TR573	VALVE STEM (NOT SHOWN)	
	131068	HUB AND DRUM ASSEMBLY (INCL ITEMS 5 AND 7)	



m130086

Figure 1-15 Radio Remote Assembly

## RADIO REMOTE ASSEMBLY

ITEM	PART NO.	DESCRIPTION	QTY.
	130086	REMOTE, RADIO WN/TILT/AX	
1	108417	NUT, HEX FLANGE SPIRALOCK 1/4-20	2
2	112691	TRANSMITTER CONTROL, RADIO REMOTE	1
3	112948	BATTERY, 9 VOLT	1
4	113661	MEMBRANE OVERLAY REMOTE	1
5	113667	HARNESS, REMOTE CONTROL	1
6	114540	VALVE 3 STACK 2ND MOTOR SOLENOID	REF
7	114544	ANTENNA CABLE 30'	1
8	114546	STRAIN RELIEF	6
9	119626	TRANSMITTER RADIO REMOTE	1
10	1-654-010047-06	SCREW, HEX HEAD CAP 1/4-20 X 1 GR5	2
11	1-654-010051-05	SCREW, HEX HEAD CAP 3/8-16 X 1 GR5	3
12	1-796-010002-01	TIE STRAP, PLASTIC (NOT SHOWN)	5
13	1-861-010032-06	WASHER, FLAT 1/4N	2
14	1-861-010034-11	WASHER, SPLIT LOCK 3/8	3
15	A001	ANTENNA, RADIO REMOTE	1

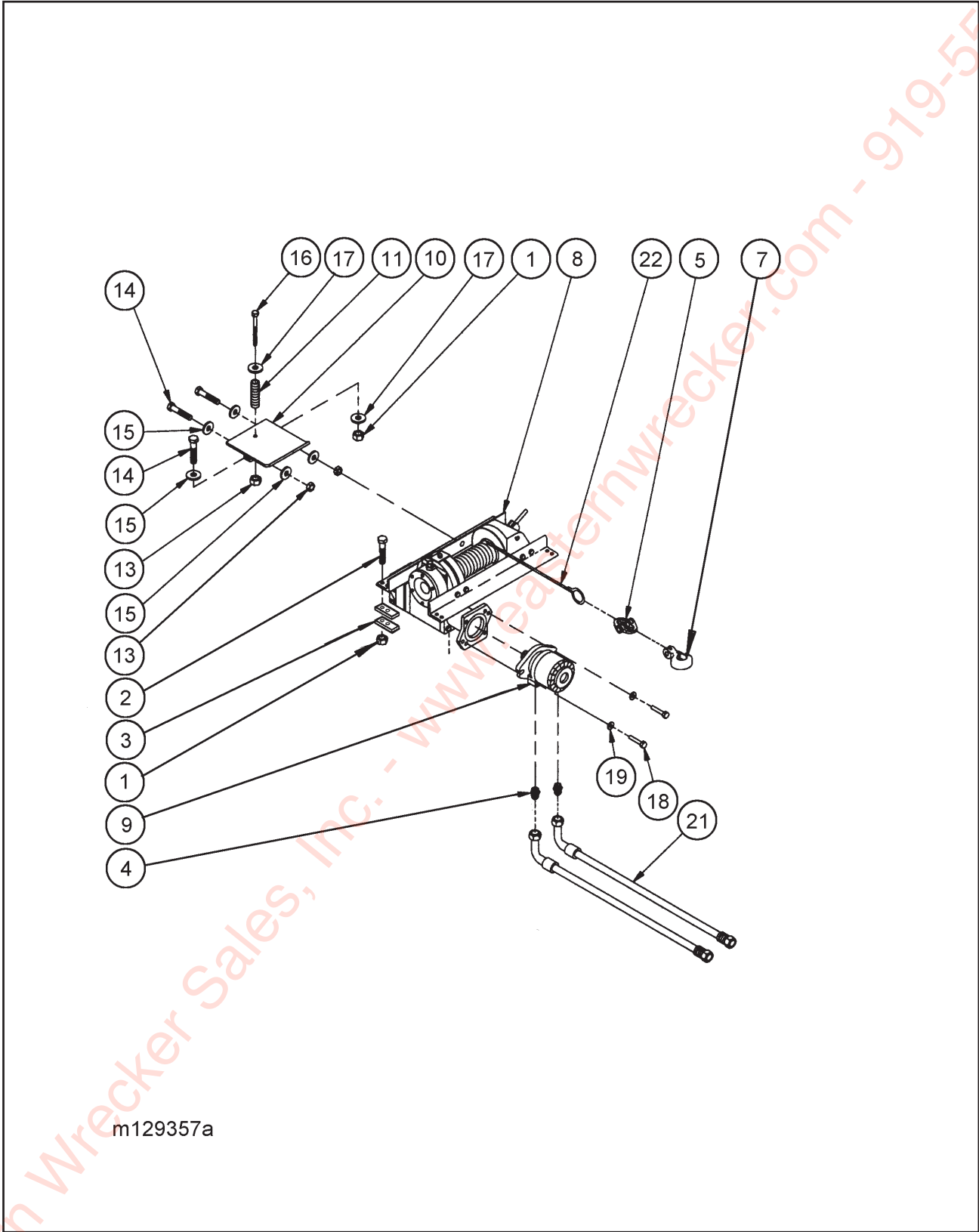


Figure 1-16 12K Winch Installation

## 12K WINCH INSTALLATION

ITEM	PART NO.	DESCRIPTION	QTY.
	129357	WINCH INSTALLATION, 12K PARKER	
1	1-512-010005-09	NUT, HEX LOCK 1/2-13 GRB	8
2	1-654-010055-07	SCREW, HEX HEAD CAP 1/2-13 X 2-1/2 GR5	8
3	116378	SPACER, WINCH	8
4	202702-10-8S	ADAPTER	2
5	3-174-010038	CHAIN LINK, CONNECTING 1/2	1
6	3-873-010126-2	WINCH ASSEMBLY, 12,000 LB PARKER (INCL ITEMS 8-20)	1
7	7HCGHT500	HOOK, CLEVIS GRAB 1/2	1
8	3-873-010122	WINCH WORM GEAR(SEE PAGE 1-31)	1
9	3-481-010006	MOTOR HYDRAULIC(SEE PAGE 1-33)	1
10	3-873-010124	WINCH TENSIONER WELDMENT	1
11	3-720-010010	SPRING COMP LEVEL WIND	1
13	1-512-010005-05	NUT HEX LOCK 3/8-16 GRB	3
14	1-654-010051-06	SCREW HEX CAP 3/8-16 X 1-1/4 GR5	3
15	1-861-010032-10	WASHER FLAT 3/8	6
16	1-654-010055-16	SCREW HEX HEAD CAP 1/2-13X5-1/2 GR5	1
17	1-861-010032-15	WASHER FLAT 1/2	1
18	1-654-010055-04	SCREW HEX HEAD CAP 1/2-13X1-3/4 GR5	2
19	1-861-010034-13	WASHER SPLIT LOCK 1/2	2
20	100600	DECAL, WARNING, WINCH (NOT SHOWN)	1
21	1-397-010302298	HOSE ASSEMBLY 1/2 X 298	REF
22	3-155-010017-4	CABLE, 1/2 X 85'	1

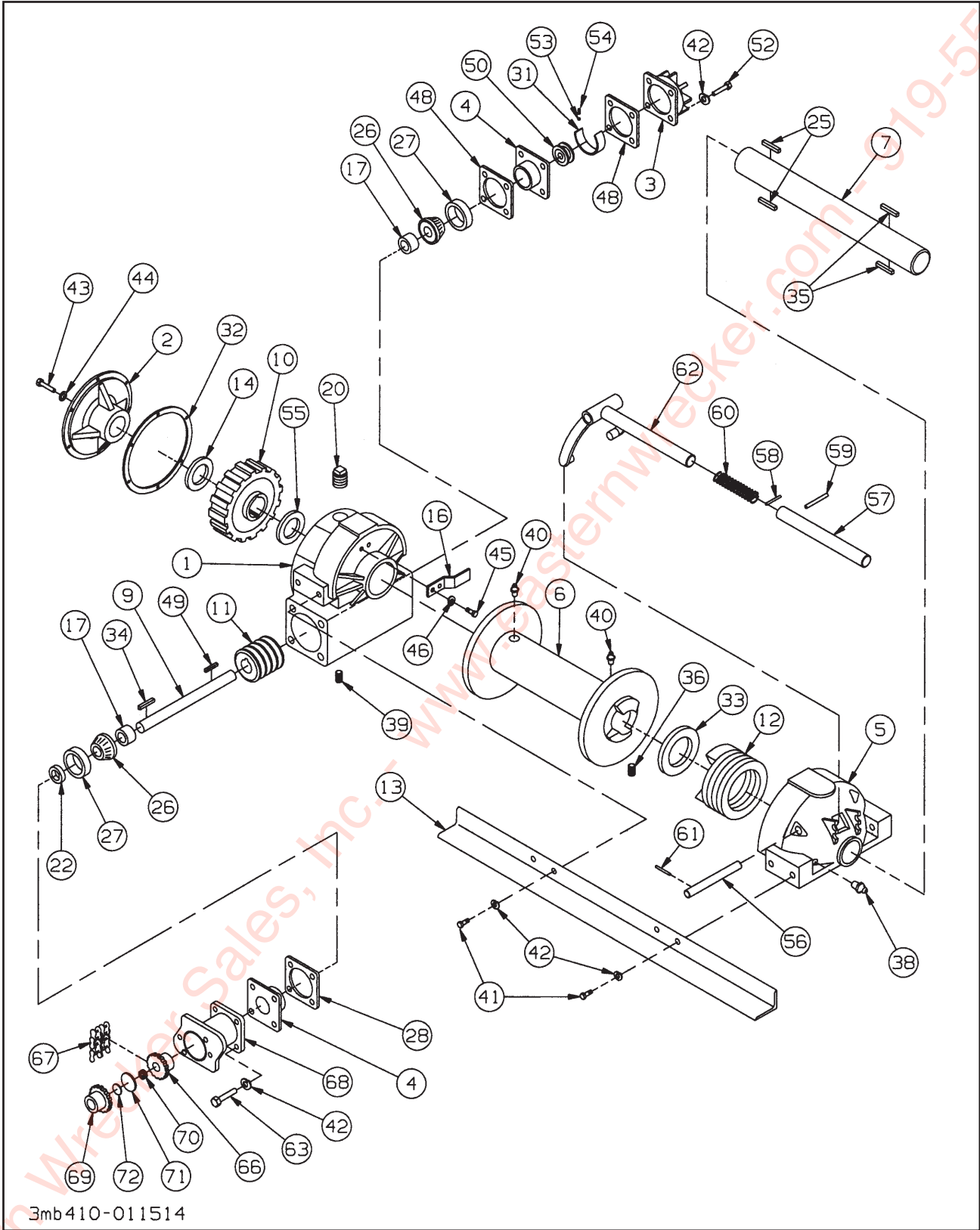


Figure 1-17 12,000 # Winch Items



## 12,000 # WINCH ITEMS

ITEM	PART NO.	DESCRIPTION	QTY
	3-873-010122	WINCH ASSEMBLY 12K	
1	81006	WORM HOUSING ASSEMBLY(INCLUDES ITEM 18)	1
2	81009	COVER ASSY WORM HOUSING(INCLUDES ITEM 19)	1
3	18032	HOUSING SAFETY BRAKE	1
4	23303	CONTAINER BEARING	2
5	81530	LEG ASSEMBLY BEARING(INCLUDES ITEM 47)	1
6	11128	DRUM CABLE	1
7	11129	DRUM SHAFT CABLE	1
9	23470	SHAFT WORM	1
10	11144	GEAR WORM LEFT HAND	1
11	11142	WORM LEFT HAND	1
12	18039	SLIDING CLUTCH	1
13	22752	ANGLE BASE	2
14	13680	THRUST RING	1
16	81025	BRAKE DRAG	1
17	11308	SPACER WORM	2
18	18078	BUSHING	1
19	11368	BUSHING	1
20	22775	PLUG PIPE	1
21	18009	PLUG PIPE	1
22	18026	SEAL GREASE	2
25	11117	KEY WORM GEAR	2
26	18015	CONE BEARING	2
27	18016	CUP BEARING	2
28	18027	GASKET	3
31	21925	BAND BRAKE	1
32	11133	WORM HOUSING COVER GASKET	3
33	18019	RETAINER RING	1
34	18030	KEY WORM	1
35	18020	KEY CLUTCH	2
36	24032	SETSCREW	1
38	18047	FITTING GREASE	1
39	19045	PLUG PIPE	1
40	11799	FITTING GREASE	2
41	21961	CAPSCREW	12
42	18003	WASHER LOCK	16
43	11767	CAPSCREW	6
44	11011	WASHER LOCK	6
45	13005	CAPSCREW	2
46	12780	WASHER LOCK	2
47	18078	BUSHING	1
48	18024	BEARING CONTAINER GASKET	3
49	10078	KEY	1
50	18028	DRUM BRAKE	1
51	12075	SCREWSET	1
52	22703	CAPSCREW	4
53	13468	JAM NUT	4
54	18029	BRAKE BAND SPRING	1

## 12,000 # WINCH ITEMS

ITEM	PART NO.	DESCRIPTION	QTY
55	11240	RETAINER RING	1
56	11130	SHIFTER SHAFT	1
57	12817	SHIFTER HANDLE	1
58	18056	ROLL PIN	1
59	13028	ROLL PIN	1
60	18002	SPRING	1
61	11837	ROLL PIN	2
62	13829	SHIFTER FORK	1
63	22704	CAPSCREW	4
65	18044	KEY	1
66	23081	COUPLING HALF (WORM SHAFT)	1
67	13424	ROLLER CHAIN	1
68	23079	MOTOR ADAPTER	1
69	23083	COUPLING HALF (MOTOR SHAFT)	1
70	23353	SPRING	1
71	23078	SPACER	1
72	23085	SPACER	1

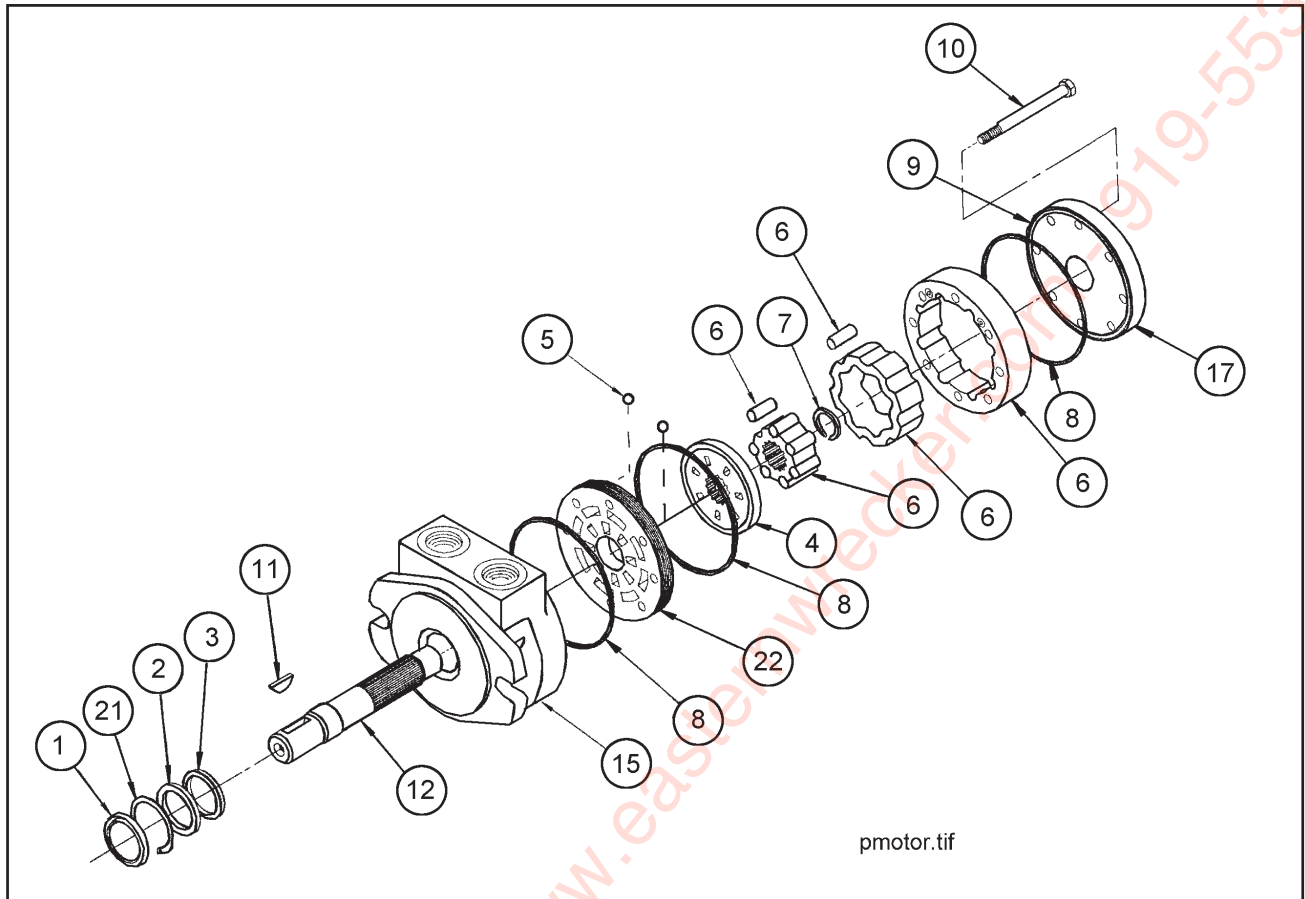


Figure 1-18 Winch Motor Assembly

## WINCH MOTOR ASSEMBLY

ITEM	PART NO.	DESCRIPTION	QTY
	3-481-010006	MOTOR HYD (FOR 12K WINCH)	1
1	2183	SEAL DUST	1
2	2177	BACK-UP RING	1
3	2175	SEAL, LIP	1
4	1644	ROTARY VALVE	1
5	1021	CHECK VALVE BALL	2
6	1004-3	IGR ASSEMBLY	1
7	1296	SNAP RING	1
8	1046	SQUARE RING SEAL	3
9	1019-4	PLUG, VENT W/O-RING 7/16-20	1
10	1114-5	BOLTS, HEX 5/16-24	8
11	1655	KEY, WOODRUFF	1
12	2109-3	SHAFT, 1" KEYED	1
15	PA-2328-2	BODY/BEARING ASSY	1
17	M110C-1	COVER/BEARING ASSY	1
21	2180	SNAP RING, SHAFT	1
22	1865	COMMUNTATOR PLATE	1
	2263	SEAL KIT, BODY	1
	2480	SEAL KIT BODY VITON	1

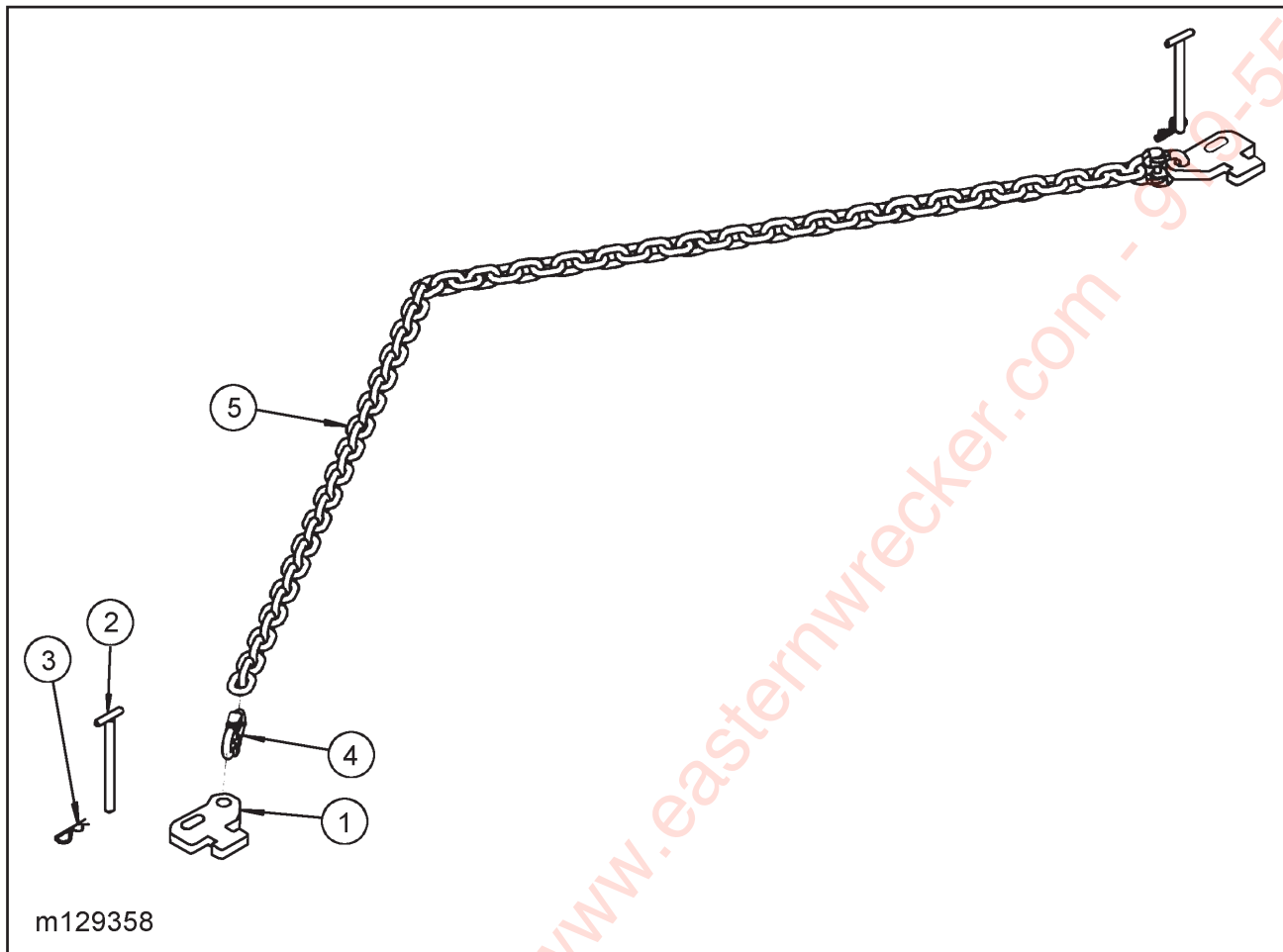


Figure 1-19 Container Load Chain Assembly

### CONTAINER LOAD CHAIN ASSEMBLY

ITEM	PART NO.	DESCRIPTION	QTY.
	129358	CONTAINER LOAD CHAIN ASSEMBLY	
1	128480	PLATE, CONTAINER CONNECT	2
2	129950	PIN WELDMENT, CONTAINER STOP	2
3	1-557-010013	PIN, HAIR 3/16	2
4	3-174-010803	CHAIN LINK CONNECTING, 1/2"	2
5	3-174-010039	CHAIN, 1/2" GR7 87"	87"

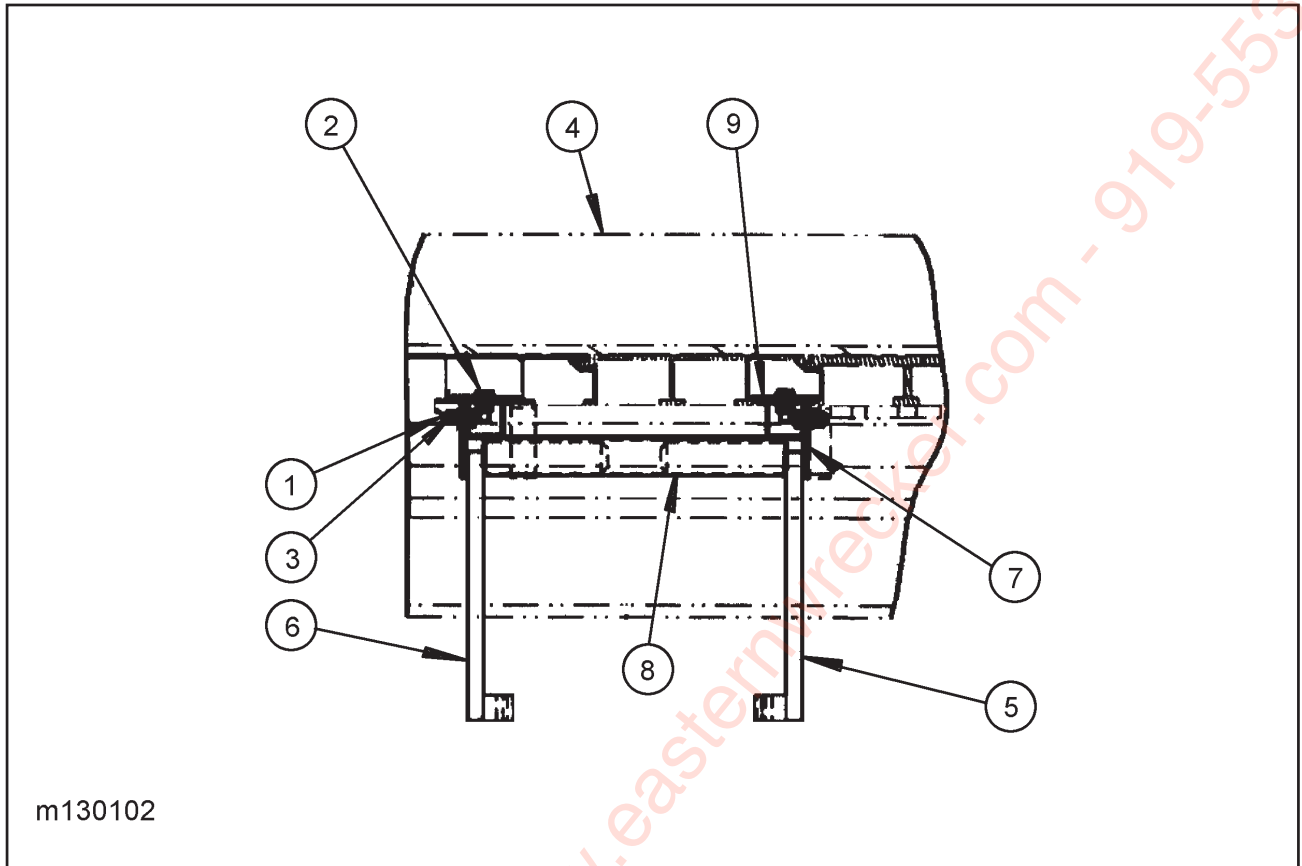


Figure 1-20 Pin Storage Installation

## PIN STORAGE INSTALLATION

ITEM	PART NO.	DESCRIPTION	QTY.
	130102	PIN STORAGE INSTALLATION	
1	1-512-010005-05	NUT, HEX LOCK 3/8-16 GRB	8
2	1-654-010051-05	SCREW, HEX HEAD CAP 3/8-16 X 1 GR5	8
3	1-861-010034-11	WASHER, SPLIT LOCK 3/8	4
4	128957	BED WELDMENT	REF
5	129240	PIN, WELDMENT HOLD-DOWN LH	REF
6	129250	PIN, WELDMENT HOLD-DOWN RH	REF
7	130098	STOP, PIN	4
8	130100	STORAGE, PIN WELDMENT	2
9	3-181-010007	HOSE CLAMP TOP PLATE	4

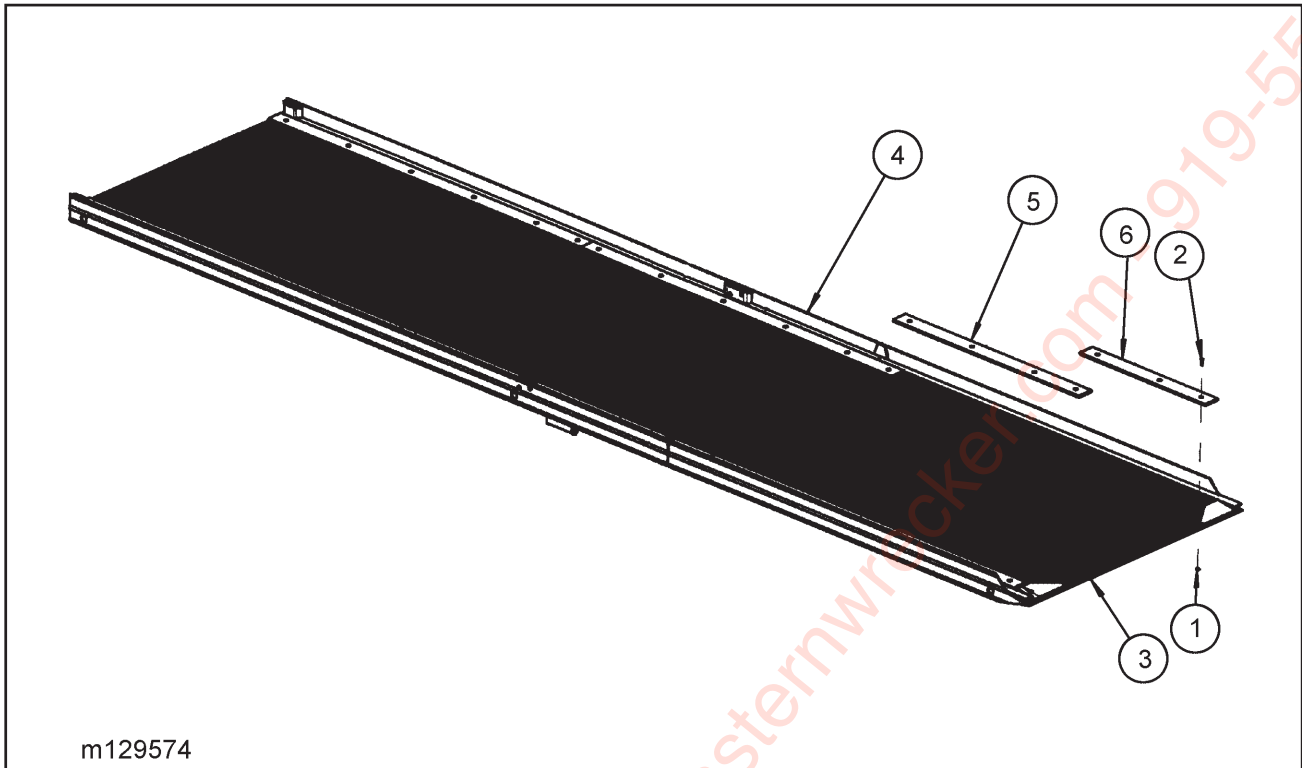


Figure 1-21 Aluminum Container Slide Installation

## ALUMINUM CONTAINER SLIDE INSTALLATION

ITEM	PART NO.	DESCRIPTION	QTY.
	129574	ALUMINUM CONTAINER SLIDE INSTALLATION	
1	1-512-010005-09	NUT, HEX LOCK 1/2-13 GRB	38
2	1-654-010133-08	SCREW, SOCKET FLANGE CTSK 1/2-13 X 2-1/4	38
3	128957	BED WELDMENT	REF
4	129232	SLIDE, CONTAINER, ALUMINUM	4
5	129947	SLIDE, CONTAINER, ALUMINUM REAR	2
6	129948	SLIDE, CONTAINER STEEL	2

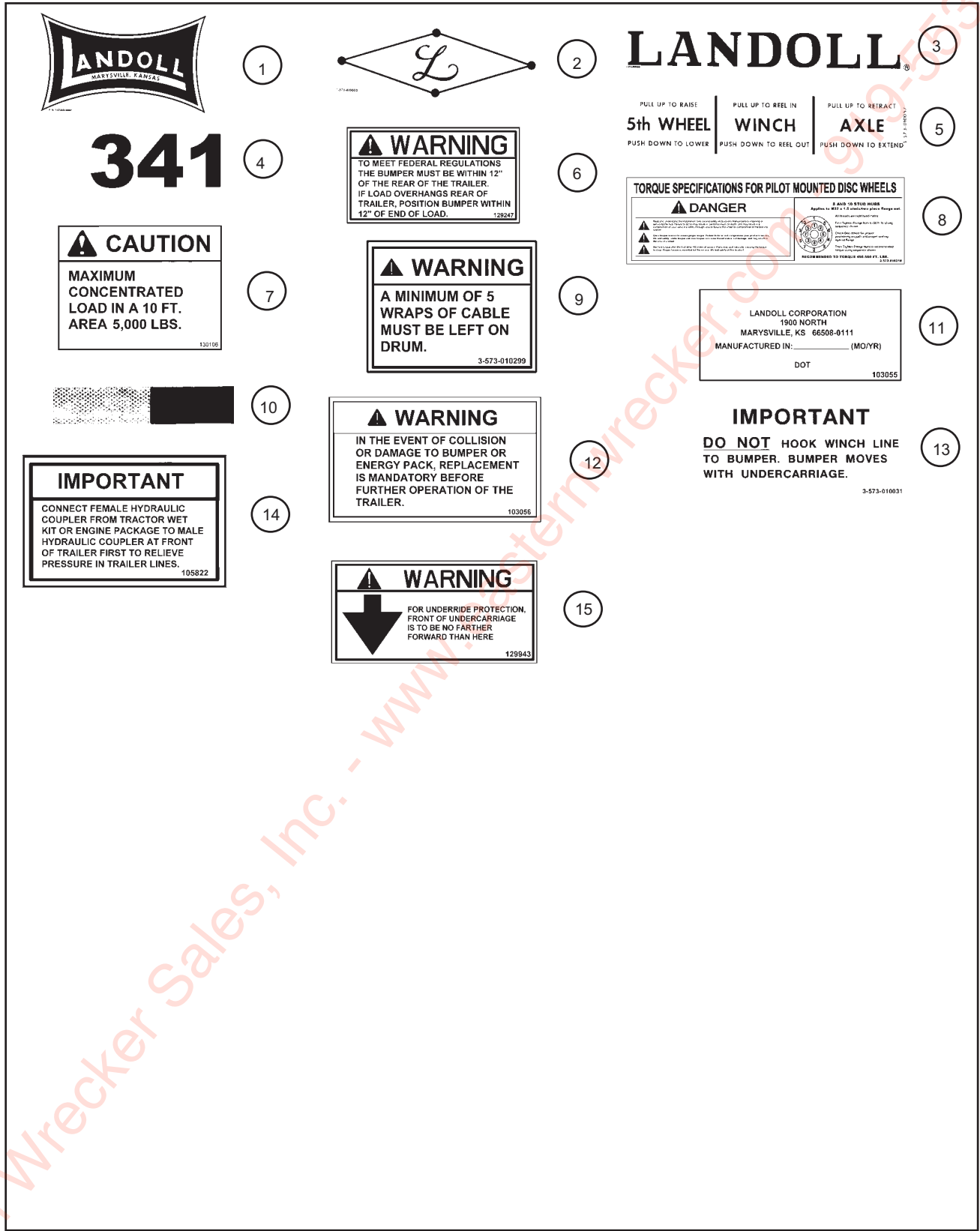
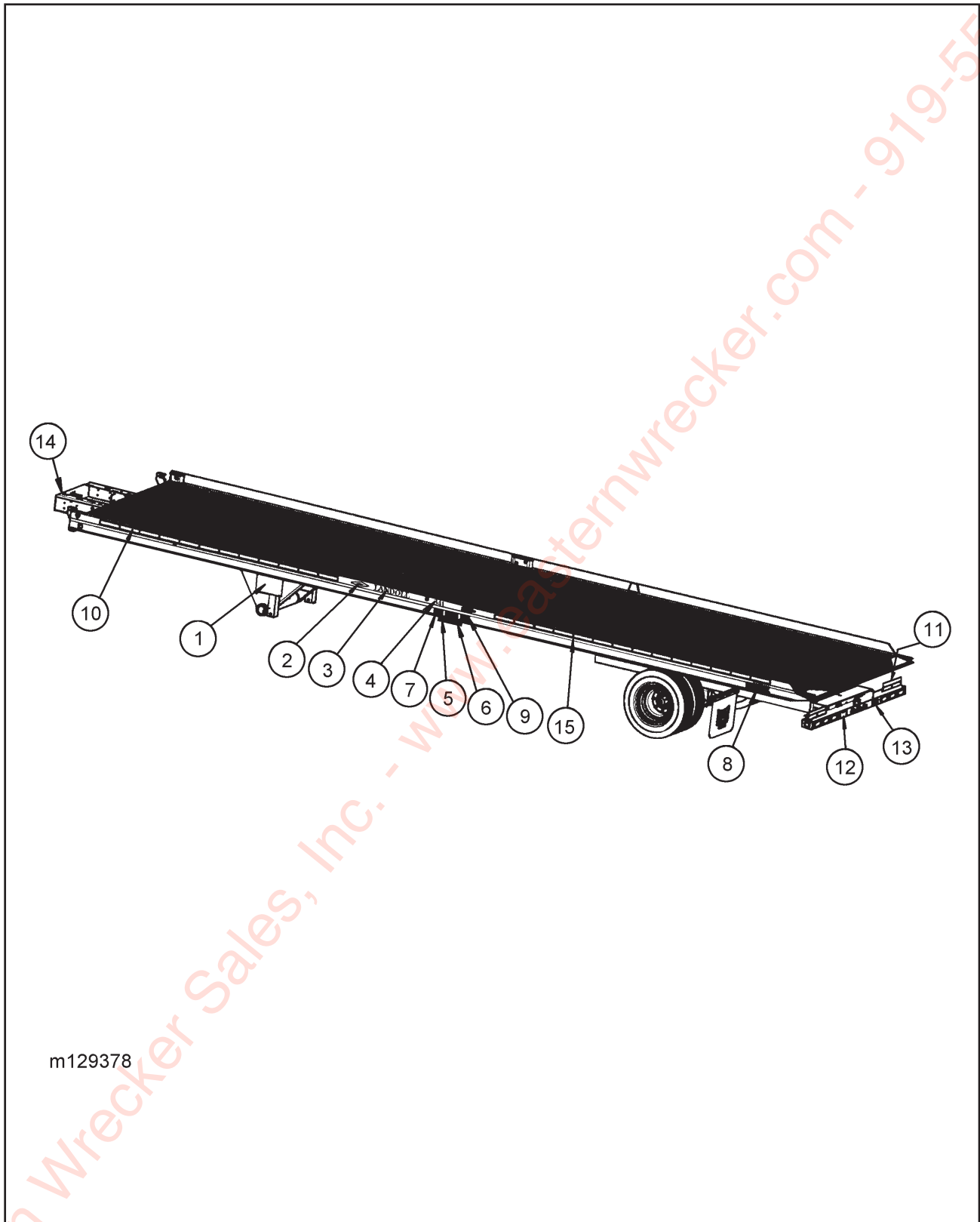


Figure 1-22 Decals



m129378

Figure 1-23 Decal Placement



## DECAL PLACEMENT

ITEM	PART NO.	DESCRIPTION	QTY.
	129378	DECALS 341 SINGLE AXLE	
1	1-573-010017	DECAL, LANDOLL WHITE	2
	1-573-010007	DECAL, LANDOLL BLACK	2
2	1-573-010479	DECAL, L WHITE	4
	1-573-010475	DECAL, L BLACK	4
3	1-573-010481	DECAL, LANDOLL WHITE	2
	1-573-010477	DECAL, LANDOLL BLACK	2
4	129339	DECAL, 341 BLACK 2-1/2	2
		DECAL, 341 WHITE 2-1/2	2
5	3-573-010057	DECAL, INSTRUCTION	1
6	129247	DECAL, BUMPER POSITION	1
7	130106	DECAL, CONC LOAD 5,000# (SINGLE AXLE)	2
8	3-573-010210	DECAL, TORQUE SPEC 8-10 STUD HUB	2
9	3-573-010299	DECAL, WARNING WINCH CABLE	1
10	3-573-010377	DECAL, REFLEXITE TAPE RED/WHITE	AR
11	103055	DECAL, ENERGY BUMPER CERT.	1
12	103056	DECAL, ENERGY BUMPER WARNING	1
13	3-573-010031	DECAL, BUMPER	1
14	105822	DECAL, HYD COUPLER	1
15	129943	DECAL, UNDERRIDE 341	1

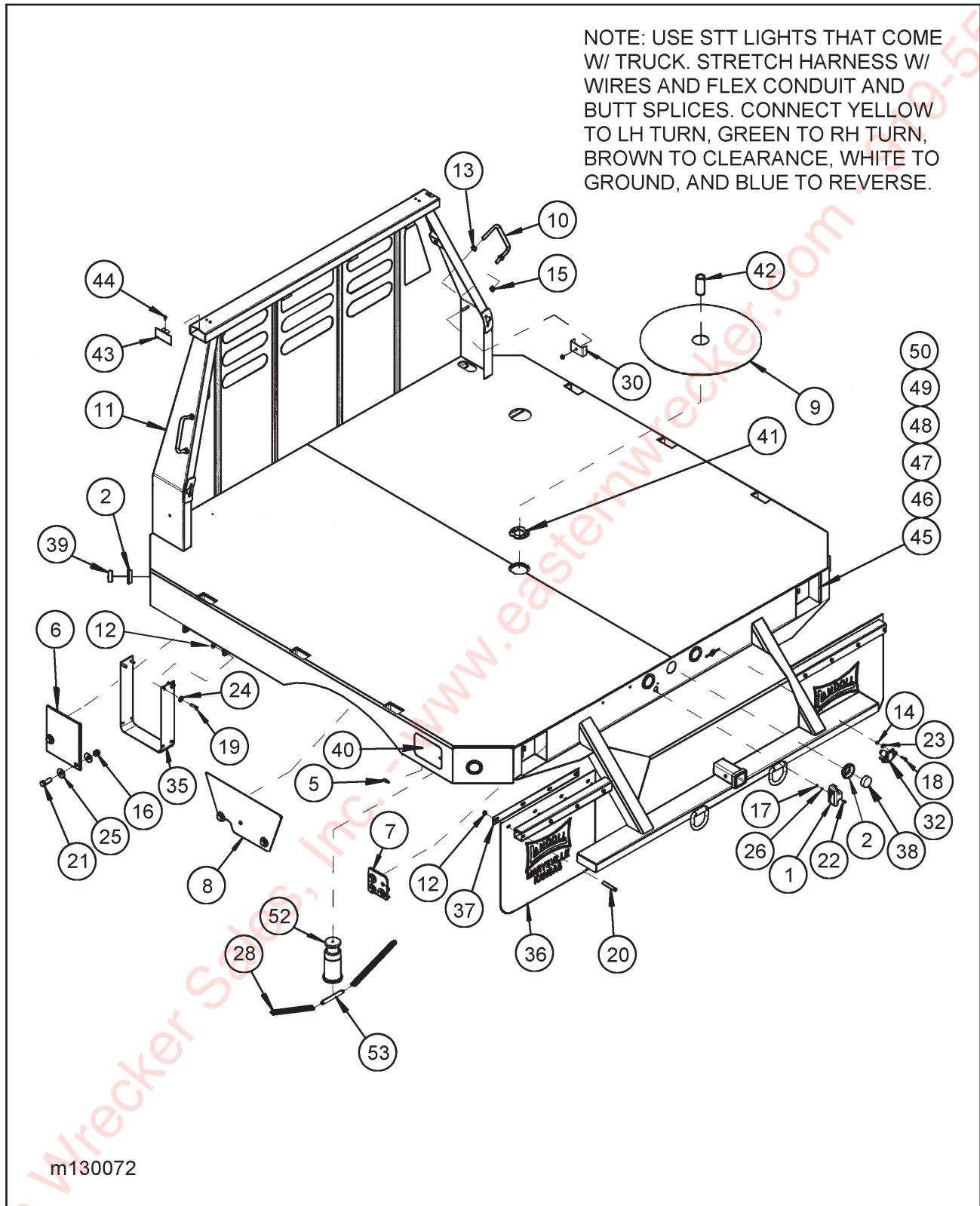


Figure 1-24 F550 Bed Assembly  
(1 of 2)

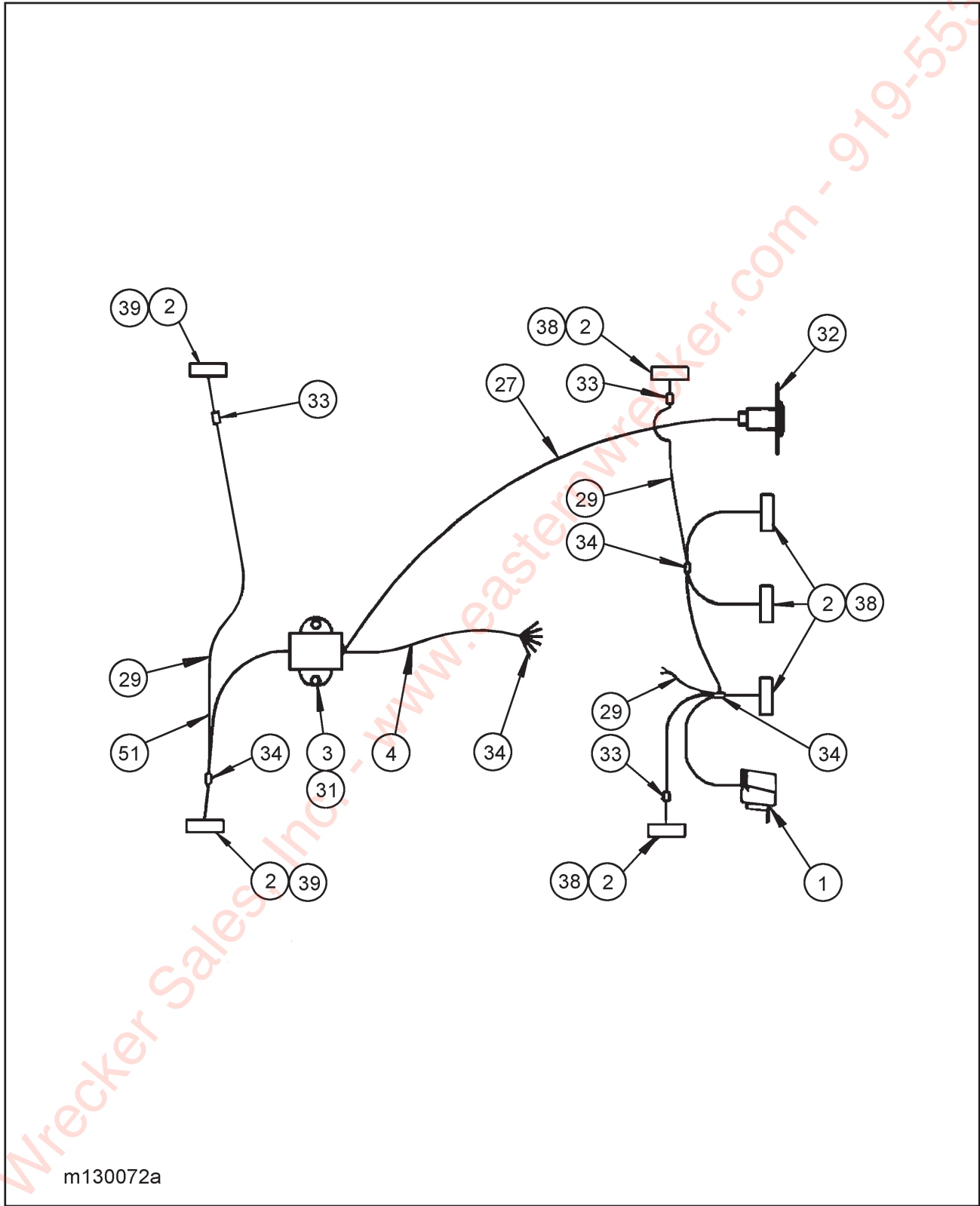


Figure 1-25 F550 Bed Assembly

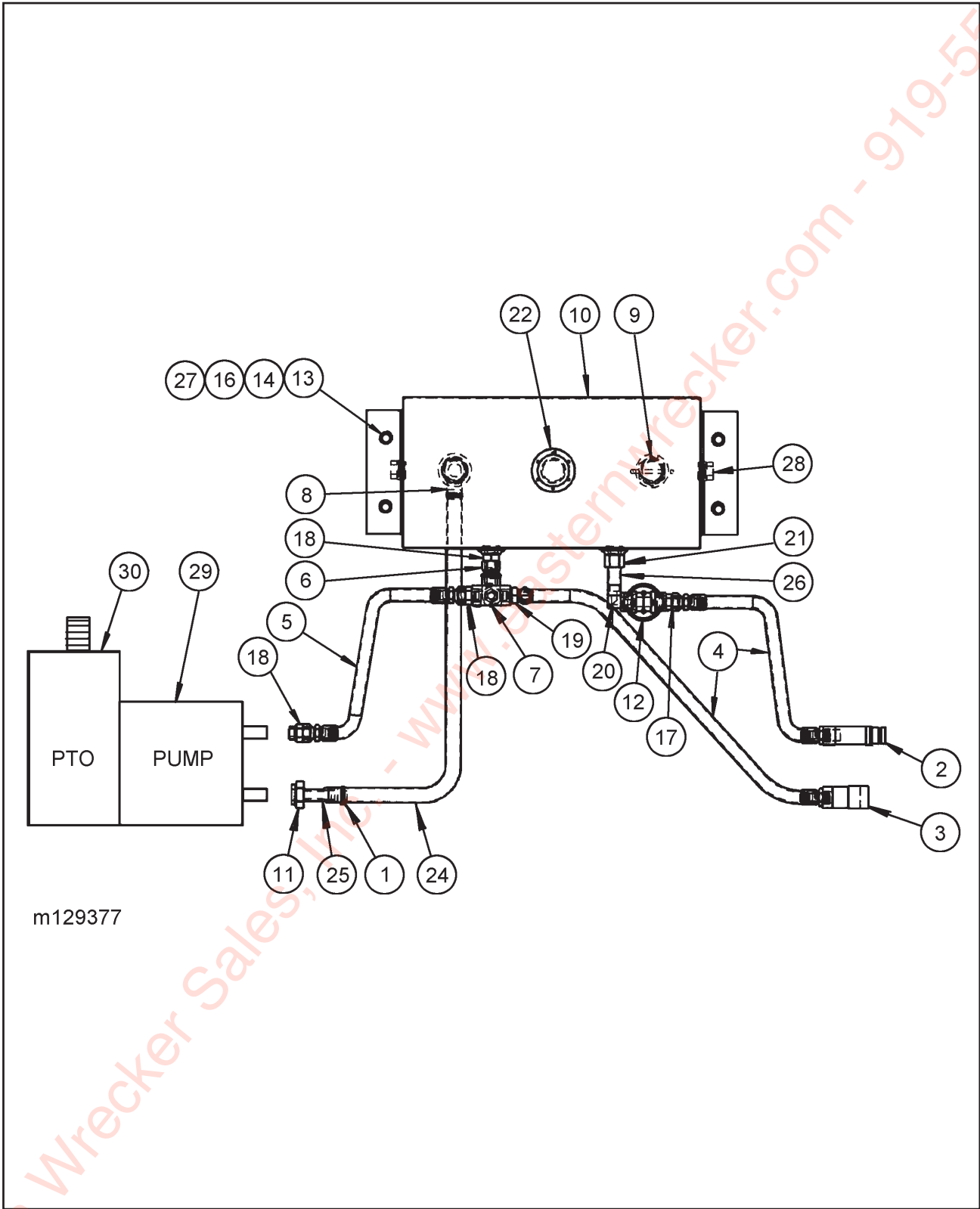
(2 of 2)

## F550 BED ASSEMBLY

ITEM	PART NO.	DESCRIPTION	QTY.
	130072	BED ASSEMBLY, F550	
1	15009	LICENSE LAMP	1
2	30700	GROMMET MOUNT 3"	7
3	32002	TERMINAL	6
4	103563	CABLE, 7 CONDUCTOR	14'
5	117473	SPRING EXTENSION 3/8 X 1.57	1
6	129816	ANCHOR, PLATE FRONT	2
7	129817	ANCHOR, PLATE REAR	2
8	129818	ANCHOR, PLATE MIDDLE	2
9	129836	LUBE PLATE STEEL	1
10	129960	HANDLE GRAB	2
11	129968	BED WELDMENT F550	1
12	1-510-010001	NUT, FLANGE LOCK 3/8-16	21
13	1-510-010003-09	NUT, FLANGE HEAD SERRATED 1/2-13	4
14	1-512-010005-01	NUT, HEX LOCK 1/4-20 GRB	2
15	1-512-010005-09	NUT, HEX LOCK 1/2-13 GRB	4
16	1-512-010005-13	NUT, HEX LOCK 5/8-11 GRB	14
17	1-512-010007-03	NUT, HEX #10-24	2
18	1-654-010047-06	SCREW, HEX HEAD CAP 1/4-20 X 1 GR5	2
19	1-654-010051-06	SCREW, HEX HEAD CAP 3/8-16 X 1-1/4 GR5	8
20	1-654-010051-13	SCREW, HEX HEAD CAP 3/8-16 X 3 GR5	8
21	1-654-010059-04	SCREW, HEX HEAD CAP 5/8-11 X 1-3/4 GR5	14
22	1-656-010003051	SCREW, RD HEAD MACH #10-24 X 3/4	2
23	1-861-010032-07	WASHER, FLAT 1/4W	2
24	1-861-010032-11	WASHER, FLAT 3/8W	8
25	1-861-010032-19	WASHER, FLAT 5/8W	28
26	1-861-010034-07	WASHER, SPLIT LOCK #10	2
27	106-0736	PORTABLE CABLE 4 WIRE 14 AWG	25'
28	129998	SPRING EXTENSION 7/8 X 7-3/4 X .105	2
29	239-1753	CORD, #16-2 TYPE SJO	25'
30	3-181-010005	TUBE, CLAMP	5
31	3-203-010001	RING TERMINAL	6
32	3-272-010003	4 POLE ELECTRICAL FEMALE CONNECTOR	1
33	3-272-010021	ELECT BUTT SPLICE	18
34	3-272-010022	ELECT BUTT SPLICE	12
35	3-440-010014	LADDER, STEP	2
36	3-485-010001	MUD FLAP, 21"	2
37	3-762-010017	CLAMP, MUD FLAP	2
38	30200R	REFLECTIVE LAMP, RED	5
39	30200Y	REFLECTIVE LAMP, YELLOW	2
40	515-9904	DECAL, DIESEL	1
41	129997	WASHER, KING PIN HOLDDOWN	1
42	130091	PIPE, BLACK 1-1/4 SCH40 X 3-1/2	1
43	130103	END CAP, 2 X 4 TUBE	2
44	3/16X3/4CS-SELF	SCREW, HEX HEAD CAP SELF-DRILL 3/16 X 3/4	2
45	1-879-010005	WIRE, 14AWG BROWN	11'

## F550 BED ASSEMBLY

ITEM	PART NO.	DESCRIPTION	QTY.
46	1-879-010006	WIRE, 14AWG GREEN	4'
47	1-879-010007	WIRE, 14AWG YELLOW	4'
48	1-879-010008	WIRE, 14AWG BLUE	8'
49	1-879-010010	WIRE, 14AWG WHITE	11'
50	3-201-010002	CONDUIT, PLASTIC FLEX 3/8	12'
51	130496	HARNESS, TRUCK BED 8FT	1
52	129996	KING PIN	1
53	129995	BAR, KING PIN LIFT	1



m129377

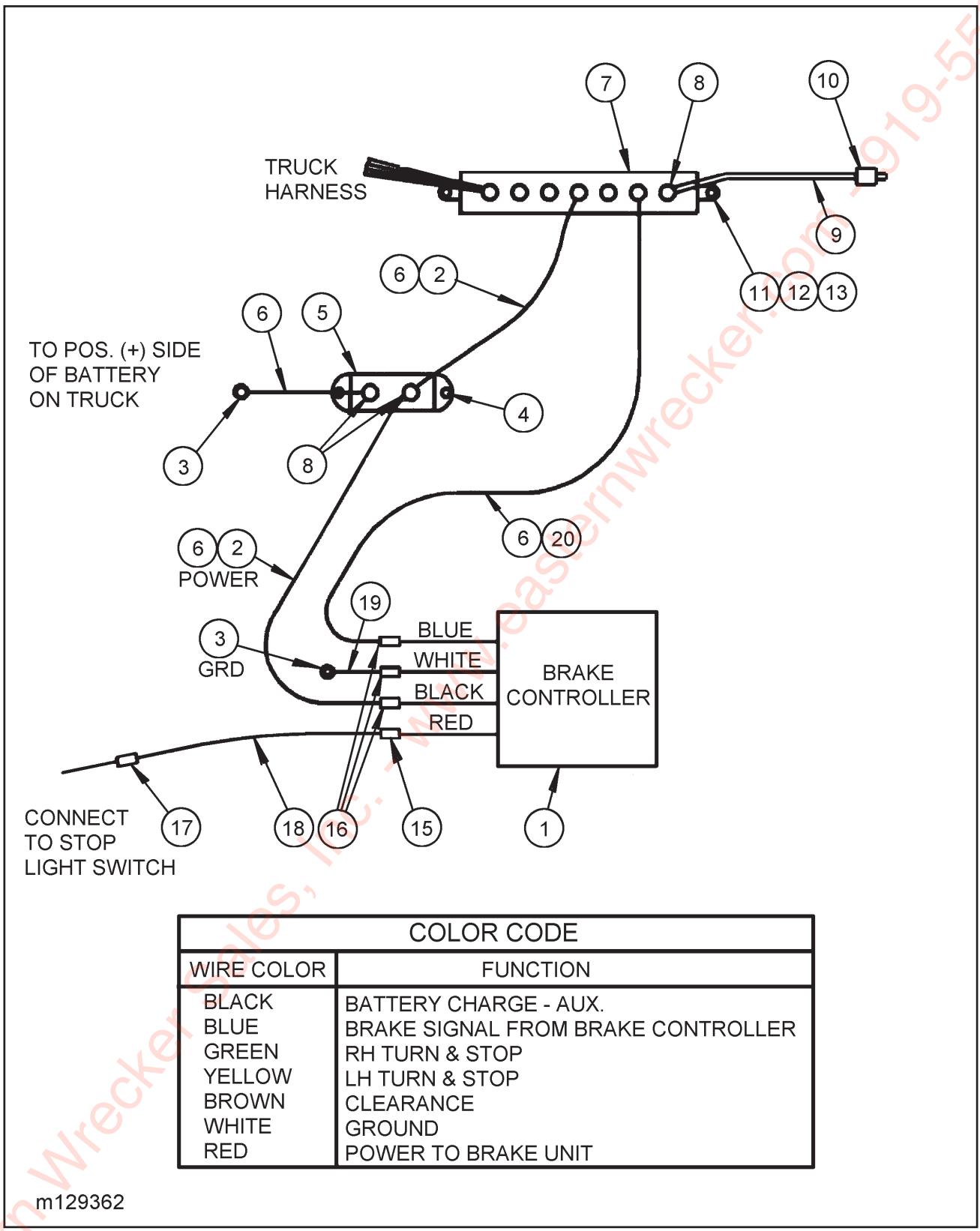
Figure 1-26 Truck Wet Kit

## TRUCK WET KIT

ITEM	PART NO.	DESCRIPTION	QTY.
	129377	TRUCK WET KIT	
1	6828	HOSE CLAMP	2
2	105479	COUPLER, FLAT FACE MALE NOSE	1
3	105480	COUPLER, FLAT FACE FEMALE BODY	1
4	129555	HOSE, 3/4 X 200	2
5	111918	HOSE, 3/4 X 98	1
6	120660	ADAPTER	1
7	120661	VALVE, HYD PRESSURE RELIEF	1
8	122327	FITTING	1
9	122505	PLUG, O-RING	1
10	129368	HYDRAULIC TANK WELDMENT	1
11	129376	ADAPTER	1
12	1-295-010001	RETURN LINE FILTER (CONTAINS BOTH HEAD AND ELEMENT)	1
	1-295-010002	ELEMENT, RETURN LINE FILTER	1
13	1-512-010005-05	NUT, HEX LOCK 3/8-16	4
14	1-654-010051-07	SCREW, HEX HEAD CAP 3/8-16 X 1-1/2 GR5	4
15	1-796-010003-02	TIE STRAP, PLASTIC (NOT SHOWN)	15
16	1-861-010032-11	WASHER, FLAT 3/8W	8
17	2021-12-12S	ADAPTER	1
18	202702-12-12S	ADAPTER, STRAIGHT	3
19	2062-12-12S	ADAPTER	1
20	2089-12-12S	ADAPTER, EXT PIPE/INT PIPE	1
21	2216-12-12S	INTERNAL PIPE	1
22	3-162-010001	FILLER-BREATH-ER-STRAINER ASSEMBLY	1
23	3-311-010212	SUPPORT, HYD LINE (NOT SHOWN)	6
24	3-399-010001	HOSE 1-1/4 SUCTION	8'
25	3-561-010008	HOSE, BARB 1-1/4	1
26	3/4X2NIPPLE	NIPPLE, BLACK PIPE 3/4 X 2	1
27	805-2	BUSHING, STEP	8
28	900598-12S	PLUG, O-RING	2
29	129471	PUMP, PARKER PG517* (FOR FORD F550 TRUCK)	1
	129472	SEAL KIT FOR PARKER PUMP	1
30	129470	PTO FOR FORD TORQSHIFT (FOR FORD F550 TRUCK) OBTAIN PIECE PARTS FOR PTO FROM CHELSEA**	1

\* PARKER PUMP 333-9112-263 PGP517A0380AD1H2NB1D177D5

\*\* CHELSEA PTO P/N 245FMKSP-B2XP



COLOR CODE	
WIRE COLOR	FUNCTION
BLACK	BATTERY CHARGE - AUX.
BLUE	BRAKE SIGNAL FROM BRAKE CONTROLLER
GREEN	RH TURN & STOP
YELLOW	LH TURN & STOP
BROWN	CLEARANCE
WHITE	GROUND
RED	POWER TO BRAKE UNIT

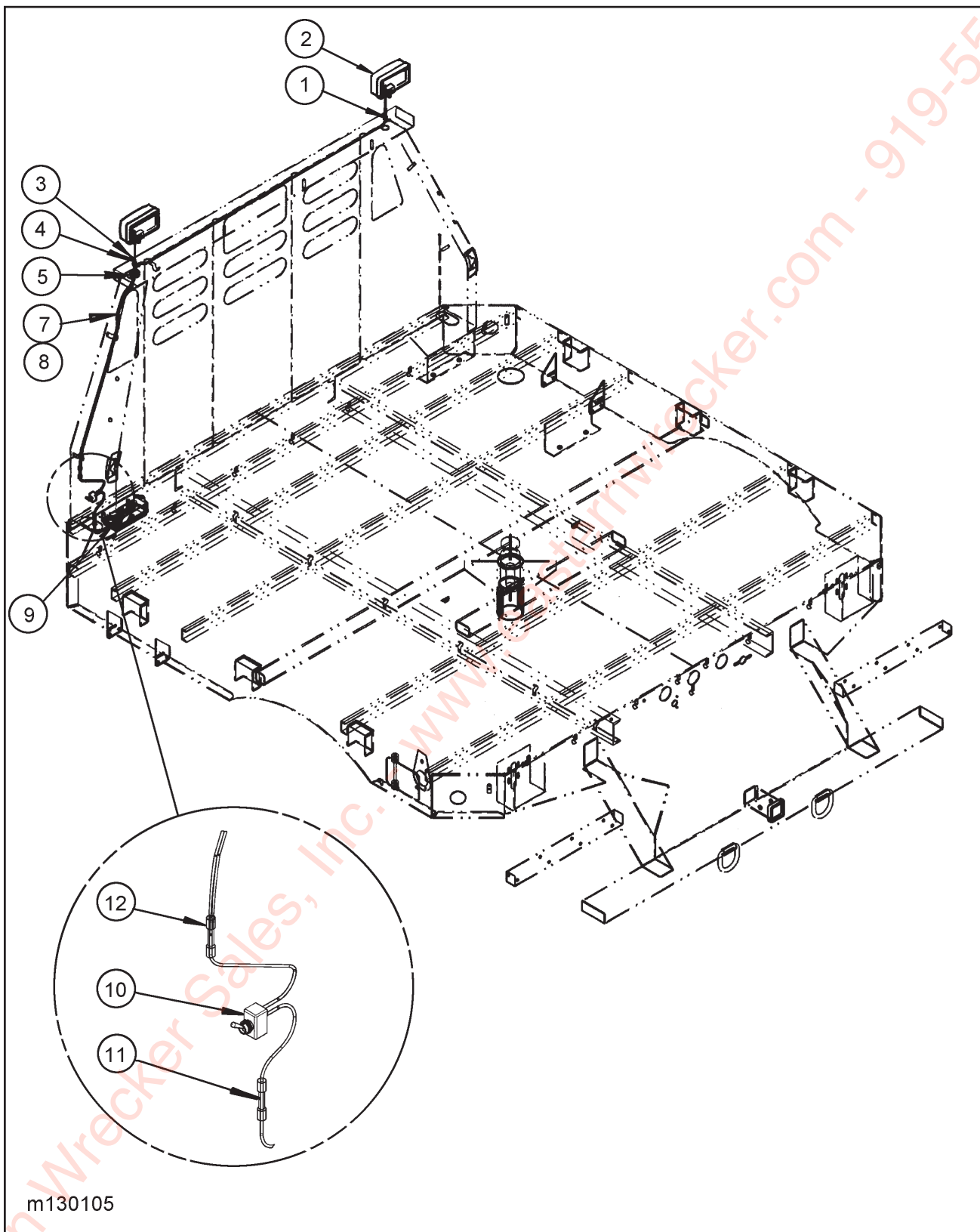
m129362

Figure 1-27 Electrical Installation for Truck



## ELECTRICAL INSTALLATION FOR TRUCK

ITEM	PART NO.	DESCRIPTION	QTY.
	129362	ELECTRICAL INSTALLATION FOR TRUCK	
1	129569	BRAKE CONTROLLER FOR ELECT/HYD	1
2	1-879-010018	WIRE 10AWG RED	19'
3	32003	TERMINAL	4
4	3/16X3/4CS_SELF	SCREW HEX HEAD CAP SELF-DRILL 3/16 X 3/4	2
5	3-318-010006	CIRCUIT BREAKER 12V-30AMP	1
6	3-201-010001	CONDUIT, PLASTIC FLEX 5/16	29'
7	750-029	JUNCTION BOX 7 STUD	1
8	32002	TERMINAL	14
9	103563	CABLE, 7 CONDUCTOR	20
10	59P8	RECEPTACLE, 7 PIN W/ GUARD	1
11	1-654-010047-06	SCREW, HEX HEAD CAP 1/4-20 X 1 GR5	2
12	1-512-010005-01	NUT, HEX LOCK 1/4-20 GRB	2
13	1-861-010032-07	WASHER, FLAT 1/4	2
14	1-796-010003-02	TIE STRAP, PLASTIC (NOT SHOWN)	10
15	3-272-010021	ELECT BUTT SPLICE 16-14	1
16	3-272-010022	ELECT BUTT SPLICE 12-10	3
17	560	CONNECTOR	1
18	1-879-010006	WIRE, 14 AWG GREEN	2'
19	1-879-010009	WIRE, 10 AWG WHITE	5'
20	1-879-010008	WIRE, 14 AWG BLUE	14'



m130105

Figure 1-28 Work Light Installation F550

## WORK LIGHT INSTALLATION F550

ITEM	PART NO.	DESCRIPTION	QTY.
	130105	WORK LIGHT INSTALLATION F550	
1	2552	GROMMET	2
2	64181	RECT QUARTZ HALOGEN LAMP	2
3	104043	CONNECTOR, MALE BULLET	2
4	104044	CONNECTOR, FEMALE BULLET	2
5	1-343-010001	RUBBER GROMMET	1
6	1-796-010003-01	TIE STRAP, PLASTIC (NOT SHOWN)	5
7	1-879-010005	WIRE, BROWN 14AWG	14'
8	3-201-010001	CONDUIT, 5/16 PLASTIC FLEX	12'
9	3-203-010001	RING, TERMINAL	1
10	3-272-010017	TOGGLE SWITCH, SEALED SPST	1
11	3-272-010021	ELECT BUTT SPLICE	1
12	3-272-010022	ELECT BUTT SPLICE	1

**NOTES:**

Eastern Wrecker Sales, Inc. - [www.easternwrecker.com](http://www.easternwrecker.com) - 919-553-4038

# NUMERICAL INDEX

<b>PART</b>	<b>PAGE</b>	<b>PART</b>	<b>PAGE</b>	<b>PART</b>	<b>PAGE</b>
006-046-00	21	104044	49	112948	27
006-092-00	23	1046	33	11308	31
006-112-00	21	105479	09	113374	17
007-095-00	21	105479	45	113661	27
007-113-00	23	105480	09	113667	27
007-116-00	23	105480	45	11368	31
007-169-00	21	105481	09	113835	25
011100078	11	105482	09	114540	09
034-062-00	23	105483	09	114540	13
036-063-04	23	105822	09	114540	27
036-115-23	23	105822	39	114544	27
046-087-00	23	106-0736	42	114546	27
046-131-01	23	106371	17	115928	17
046-132-00	23	107598	17	116131	17
046-133-00	23	107599	17	116378	29
046-135-00	23	108417	27	116837	09
048-019-00	23	10RX17.5 GY	25	117473	42
048-020-00	23	11011	31	11767	31
054-033-00	23	11117	31	11799	31
061900042	11	11128	31	11837	32
069-053-00	23	11129	31	119626	27
071-456-00	23	11130	31	1-203-010040-5	17
071-462-00	23	11133	31	120660	45
071-463-00	23	11142	31	120661	45
071-464-00	23	11144	31	12075	31
071900019	11	1114-5	33	122327	45
081900019	11	111918	45	122505	45
1004-3	33	111948	25	123497	17
100600	29	111952	25	123969	09
1-007-010003	09	111954	25	124696	09
10078	31	111956	25	125180	10
101419	25	111958	25	125181	10
1019-4	33	111963	25	125183	10
1021	33	111965	25	125184	10
103055	39	111966	25	125187	10
103056	39	111967	25	126976	19
103563	42	111968	25	126982	19
103563	47	11240	31	127199	09
104043	49	112691	27	127199	10

PART	PAGE	PART	PAGE	PART	PAGE
127228	17	129362	47	129995	43
127256	17	129363	17	129996	43
12780	31	129364	17	129997	42
127806	09	129368	45	129998	42
127995	10	129376	45	13005	31
12817	32	129377	45	130072	42
128470	09	129378	39	130083	17
128480	34	129394	19	130084	17
128957	35	129455	03	130084	19
128957	36	129455	05	130085	09
128966	19	129456	03	130086	27
128968	19	129456	05	130087	03
128971	19	129470	45	130088	03
128971	21	129471	45	130088	05
128972	19	129472	45	130089	03
128973	19	1-295-010001	45	130091	42
128974	19	1-295-010002	45	130098	35
128996	05	129555	45	130100	35
128997	03	129569	47	130102	35
129207	05	129574	36	130103	42
129207	07	1296	33	130105	49
129208	17	1-298-010001-1	03	130106	39
129208	19	1-298-010001-1	05	13028	32
129222	09	129816	42	130496	43
129229	09	129817	42	130649	21
129232	36	129818	42	131016	07
129240	35	129836	42	131017	07
129247	39	129849	05	131018	07
129248	17	129910	03	131019	07
129248	19	129910	05	131020	07
129249	17	129937	01	131061	21
129249	19	129942	19	131062	21
129250	35	129943	39	131063	21
129339	39	129944	01	131064	21
129349	17	129947	36	131065	21
129349	19	129948	36	131066	25
129350	17	129950	34	131067	25
129353	05	129951	19	131068	25
129357	29	129952	19	131069	25
129358	34	129960	42	131070	25
129359	17	129968	42	131074	07
129359	19	129985	19	131092	15

<b>PART</b>	<b>PAGE</b>	<b>PART</b>	<b>PAGE</b>	<b>PART</b>	<b>PAGE</b>
13424	32	15206	17	1-656-010003051	17
1-343-010001	49	1-557-010013	34	1-656-010003051	42
13468	31	1-557-010362-54	09	1-656-010003053	19
13680	31	15700	17	1-656-010003055	17
13829	32	15725	17	170003008	15
1-397-010301042	09	1-573-010007	39	170003017	15
1-397-010301048	09	1-573-010017	39	170003037	15
1-397-010301074	09	1-573-010475	39	1-796-010002-01	27
1-397-010301108	09	1-573-010477	39	1-796-010003-01	49
1-397-010301170	09	1-573-010479	39	1-796-010003-02	09
1-397-010302298	09	1-573-010481	39	1-796-010003-02	45
1-397-010302298	29	1644	33	1-796-010003-02	47
1-397-010361084	09	1-647-010004255	03	1-796-010004-02	19
1-397-010361108	09	1-654-010032-4	19	18002	32
146-134-00	23	1-654-010047-06	27	18003	31
15009	17	1-654-010047-06	42	18009	31
15009	42	1-654-010047-06	47	18015	31
1-510-010001	09	1-654-010049-06	17	18016	31
1-510-010001	19	1-654-010051-05	09	18019	31
1-510-010001	42	1-654-010051-05	19	18020	31
1-510-010003-09	42	1-654-010051-05	27	18024	31
1-512-010003-06	19	1-654-010051-05	35	18026	31
1-512-010005-01	42	1-654-010051-06	09	18027	31
1-512-010005-01	47	1-654-010051-06	29	18028	31
1-512-010005-03	17	1-654-010051-06	42	18029	31
1-512-010005-05	29	1-654-010051-07	45	18030	31
1-512-010005-05	35	1-654-010051-10	09	18032	31
1-512-010005-05	45	1-654-010051-13	19	18039	31
1-512-010005-09	03	1-654-010051-13	42	18044	32
1-512-010005-09	05	1-654-010055-02	19	18047	31
1-512-010005-09	09	1-654-010055-04	09	18056	32
1-512-010005-09	29	1-654-010055-04	29	18078	31
1-512-010005-09	36	1-654-010055-07	29	18078	31
1-512-010005-09	42	1-654-010055-16	29	1-861-010032-03	17
1-512-010005-13	09	1-654-010059-04	42	1-861-010032-03	19
1-512-010005-13	42	1-654-010059-05	09	1-861-010032-06	27
1-512-010005-15	03	1-654-010059-21	09	1-861-010032-07	19
1-512-010005-15	05	1-654-010061-07	03	1-861-010032-07	42
1-512-010005-15	19	1-654-010061-07	05	1-861-010032-07	47
1-512-010007-03	17	1-654-010133-08	36	1-861-010032-09	17
1-512-010007-03	42	1-654-010158-1	19	1-861-010032-10	29
1-512-010007-05	19	1655	33	1-861-010032-11	09

PART	PAGE	PART	PAGE	PART	PAGE
1-861-010032-11	19	2062-12-12S	45	240044020	15
1-861-010032-11	42	2062-8-8S	09	240061342	11
1-861-010032-11	45	2089-12-12S	45	24032	31
1-861-010032-14	03	2109-3	33	2480	33
1-861-010032-14	05	2175	33	2552	49
1-861-010032-15	09	2177	33	270010002	11
1-861-010032-15	19	2180	33	3/16X3/4CS_SELF	47
1-861-010032-15	29	2-181-010001	09	3/16X3/4CS-SELF	42
1-861-010032-19	09	2-181-010001	19	3/4X2NIPPLE	45
1-861-010032-19	42	2183	33	30200R	17
1-861-010034-07	17	21925	31	30200R	42
1-861-010034-07	42	21961	31	30200Y	17
1-861-010034-09	19	220000212	11	30200Y	42
1-861-010034-11	09	220001010	15	30700	17
1-861-010034-11	27	2216-12-12S	45	30700	42
1-861-010034-11	35	2263	33	3-128-010032	17
1-861-010034-13	19	22703	31	3-155-010017-4	29
1-861-010034-13	29	22704	32	3-158-010003	19
1-861-010059-21	09	22752	31	3-158-010015	19
1865	33	22775	31	3-162-010001	45
1-879-010005	42	23078	32	3-174-010026	19
1-879-010005	49	23079	32	3-174-010038	29
1-879-010006	42	23081	32	3-174-010039	34
1-879-010006	47	23083	32	3-174-010042	19
1-879-010007	43	23085	32	3-174-010803	34
1-879-010008	43	23303	31	3-181-010005	42
1-879-010008	47	23353	32	3-181-010007	09
1-879-010009	47	23470	31	3-181-010007	35
1-879-010010	43	239-1753	42	32002	42
1-879-010014	17	239-9961	17	32002	47
1-879-010018	47	240000009	15	32003	47
190100046	15	240000018	15	3-201-010001	47
19045	31	240000019	15	3-201-010001	49
200018003	11	240000019	15	3-201-010002	43
200100189	15	240000020	15	3-203-010001	42
2021-12-12S	45	240000113	15	3-203-010001	49
2023-8-8S	09	240000208	15	3-242-010207	09
202702-10-8S	29	240000908	15	3-242-010207	11
202702-12-12S	45	240016230	15	3-272-010003	42
202702-8-8S	09	240019014	15	3-272-010017	49
2061-8-8S	09	240044018	15	3-272-010021	42
2062-10-12S	09	240044019	15	3-272-010021	47



<b>PART</b>	<b>PAGE</b>	<b>PART</b>	<b>PAGE</b>	<b>PART</b>	<b>PAGE</b>
3-272-010021	49	3-873-010122	31	7HCGHT500	29
3-272-010022	17	3-873-010124	29	805-2	45
3-272-010022	17	3-873-010126-2	29	81006	31
3-272-010022	42	43028	09	81009	31
3-272-010022	47	515-9904	42	81025	31
3-272-010022	49	560	47	81530	31
3-299-010016	09	59P8	47	900598-12S	45
3-311-010212	45	59S-7	17	A001	27
3-311-010578	03	59W-2-3	17	K71-082-00	23
3-311-010578	05	60202R	17	K71-169-00	23
3-318-010006	47	60700	17	K71-170-00	23
3-399-010001	45	610100011	15	M11OC-1	33
3-440-010014	42	622-3511-008	19	PA-2328-2	33
346SL	01	626230001	15	PMCK-5600	11
3-481-010006	29	64181	49	SVW1BA1-S12H	15
3-481-010006	33	660263002	15	SVW1CA1-S12H	15
3-485-010001	19	660580002	13	TR573	25
3-485-010001	42	660580003	13		
3-557-010030	03	660580004	13		
3-557-010032	09	660580004	15		
3-557-010033	09	660580005	13		
3-557-010059	09	660590008	15		
3-561-010008	45	670100008	15		
3-573-010031	39	670300029	15		
3-573-010057	39	670300030	15		
3-573-010210	39	670400012	13		
3-573-010299	39	670400020	13		
3-573-010377	39	670500044	15		
3-659-010013	09	670500045	15		
3-711-010108	09	671400033	15		
3-720-010010	29	671400076	15		
3-755-010003	09	671400077	15		
3-755-010189-03	19	671400078	15		
3-755-010189-1	19	671400079	15		
3-762-010017	19	671400086	15		
3-762-010017	42	671400207	15		
380-1	19	671600049	15		
380-2	19	671600063	15		
3-821-010005	19	671800021	15		
3-846-010156	09	671900071	15		
3-870-010097	25	6828	45		
3-873-010122	29	750-029	47		

