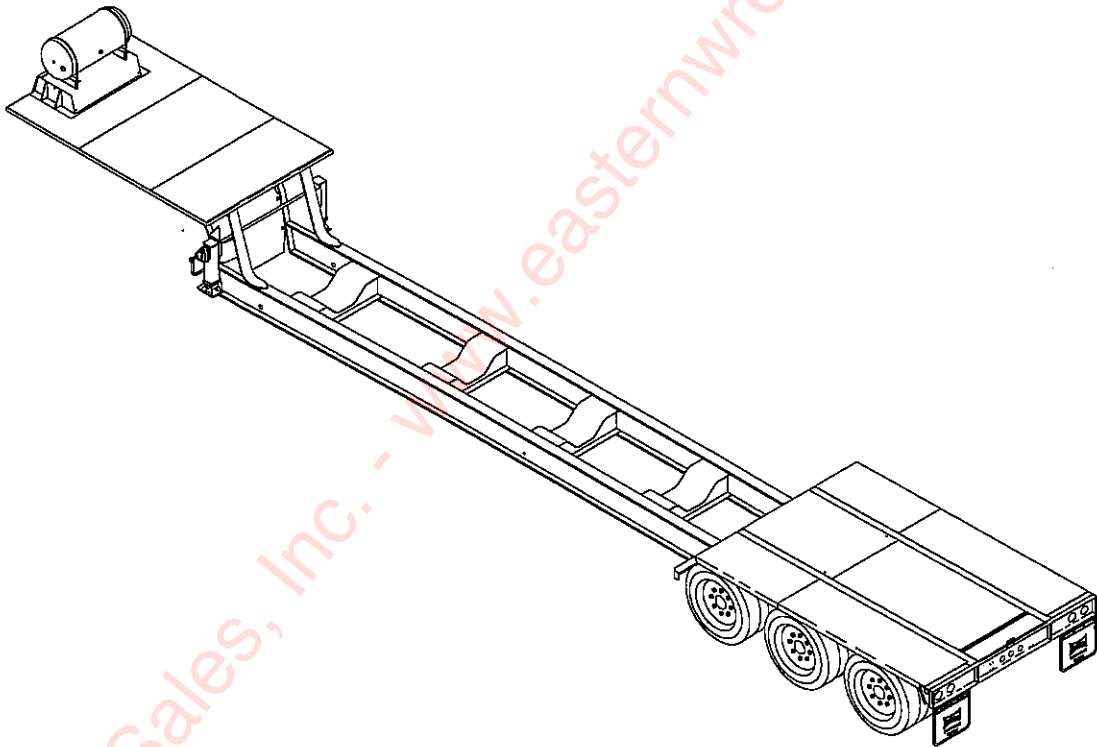




MODEL 360 BOILER TRAILER PARTS LIST



1900 NORTH STREET
MARYSVILLE, KANSAS 66508
(785) 562-5381

Eastern Wrecker Sales, Inc. - www.easternwrecker.com - 919-553-4038

ILLUSTRATED PARTS LIST

1

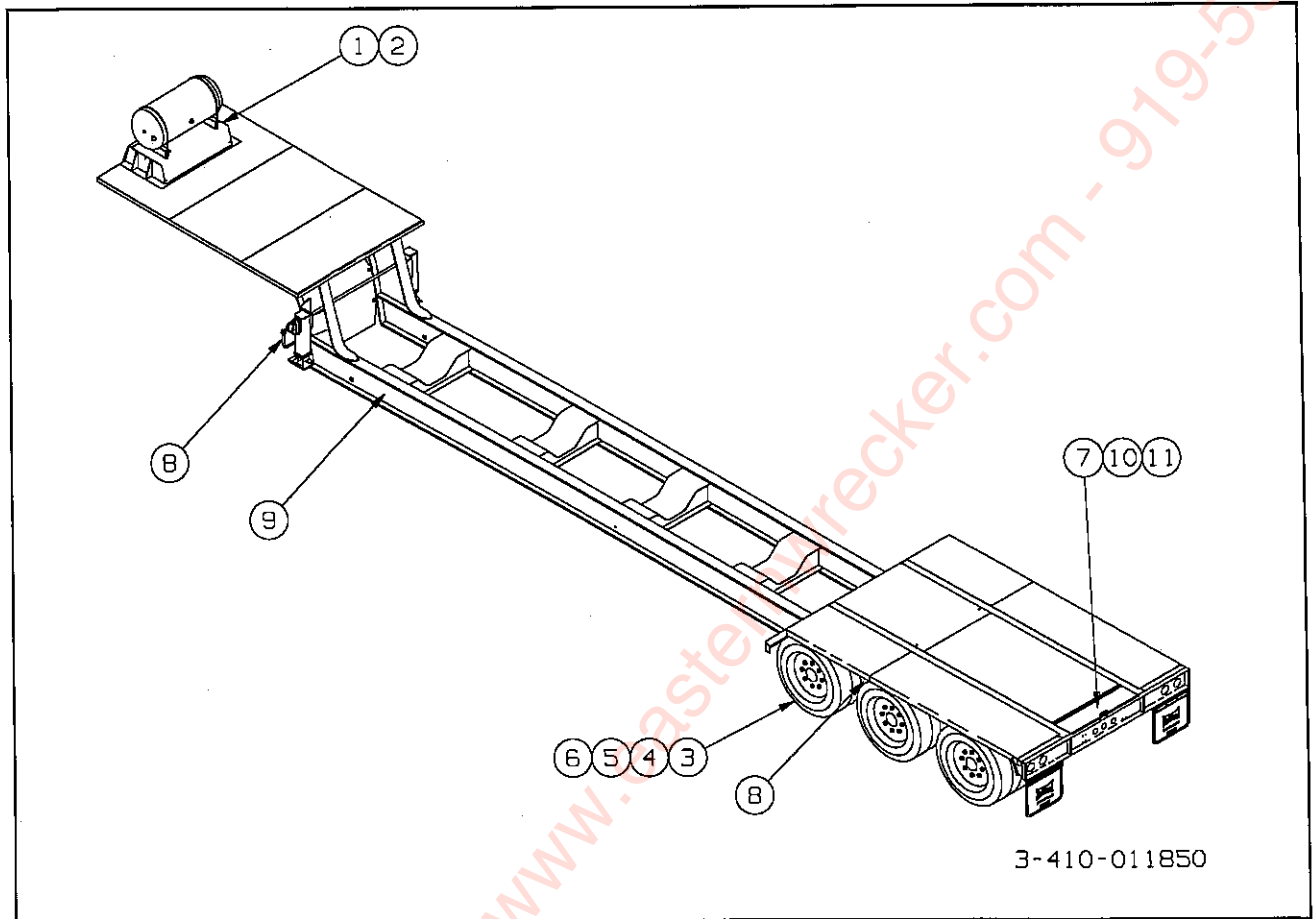


Figure 1-1 General Assembly

GENERAL ASSEMBLY

ITEM	PART NO./PAGE	DESCRIPTION	QTY.
1	1-2 - 1-3	ELECTRICAL SYSTEM	1
2	1-4 - 1-7	AIR SYSTEM BRAKE ASSEMBLY	1
3	1-8 - 1-9	AIR SYSTEM SUSPENSION ASSEMBLY	1
4	1-10 - 1-11	SUSPENSION ITEMS	3
5	1-12 - 1-13	AXLE ASSEMBLY	3
6	1-14 - 1-15	OUTBOARD HUB/DRUM ASSEMBLY	3
7	1-16 - 1-17	GREASE SYSTEMS	1
8	1-18 - 1-19	LANDING GEAR ASSEMBLY	1
9	1-20 - 1-21	DECAL INSTALLATION	1
10	1-22 - 1-23	MANUAL HEIGHT CONTROL ASSEMBLY	1
11	1-24	SUSPENSION SCALE-O-MATIC ASSEMBLY(OPTION)	1

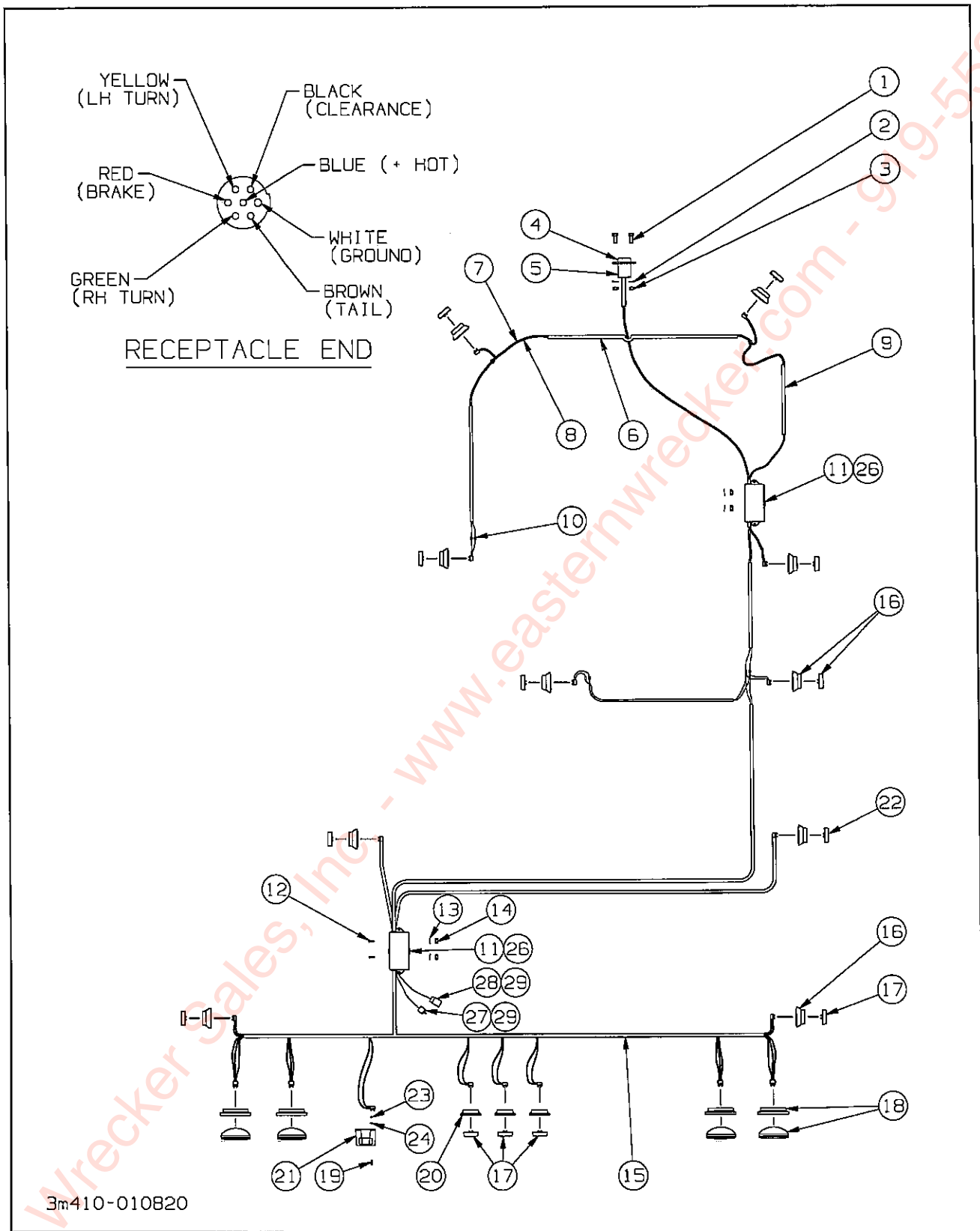


Figure 1-2 Electrical System

ELECTRICAL SYSTEM

ITEM	PART NO.	DESCRIPTION	QTY.
	3-410-010820	ELECTRICAL SYSTEM - 360 BOILER	
1	5/16-18x1-1/4CS	SCREW HEX HEAD CAP GR2	2
2	1-861-010034-10	WASHER SPLIT LOCK	2
3	1-512-010005-03	NUT HEX GR2	2
4	59S-7	RECEPTACLE 7 PIN	1
5	59W-2-3	RUBBER BOOT	1
6	3-156-010009708	CABLE MULTICONDUCTOR 59'	1
7	1-879-010010690	WIRE 14 AWG BLACK 58'	1
8	1-879-010011690	WIRE 14 AWG WHITE 58'	1
9	3-201-010001680	CONDUIT PLASTIC FLEX 5/16X57'	1
10	3-272-010022	ELECTRICAL BUTT SPLICE 10-12	21
11	750-029	JUNCTION BOX 7 STUD	2
12	1/4-20X1-1/4CB	SCREW ROUND HEAD SQUARE NECK	2
13	1/4 SLW	WASHER SPLIT LOCK	4
14	1-512-010007-05	NUT HEX GR2	4
15	3-368-010023	WIRE HARNESS REAR	1
16	10403	GROMMET MOUNT	10
17	10205R	REFLECTOR LAMP RED	5
18	40015R	4" TAIL LAMP WITH REFLECTOR	4
19	3/16-3/4RHD STV	BOLT, STOVE ROUND HEAD	2
20	10404	GROMMET MOUNT 3"	3
21	15009	LICENSE LAMP	1
22	10205Y	REFLECTOR LAMP YELLOW	8
23	3/16-24HFN	NUT HEX GR2	2
24	3/16SLW	WASHER SPLIT LOCK 3/16	2
25	1-343-010006	GROMMET	4
26	C01-416	RING TERMINAL 3/8	38
27	1-879-010008018	WIRE BLUE 14AWG 1' - 6'	1
28	1-879-010010012	WIRE 14AWG WHITE 12"	1
29	1-788-010003	TERMINAL INSULATED BULLET RECP 16-14	2

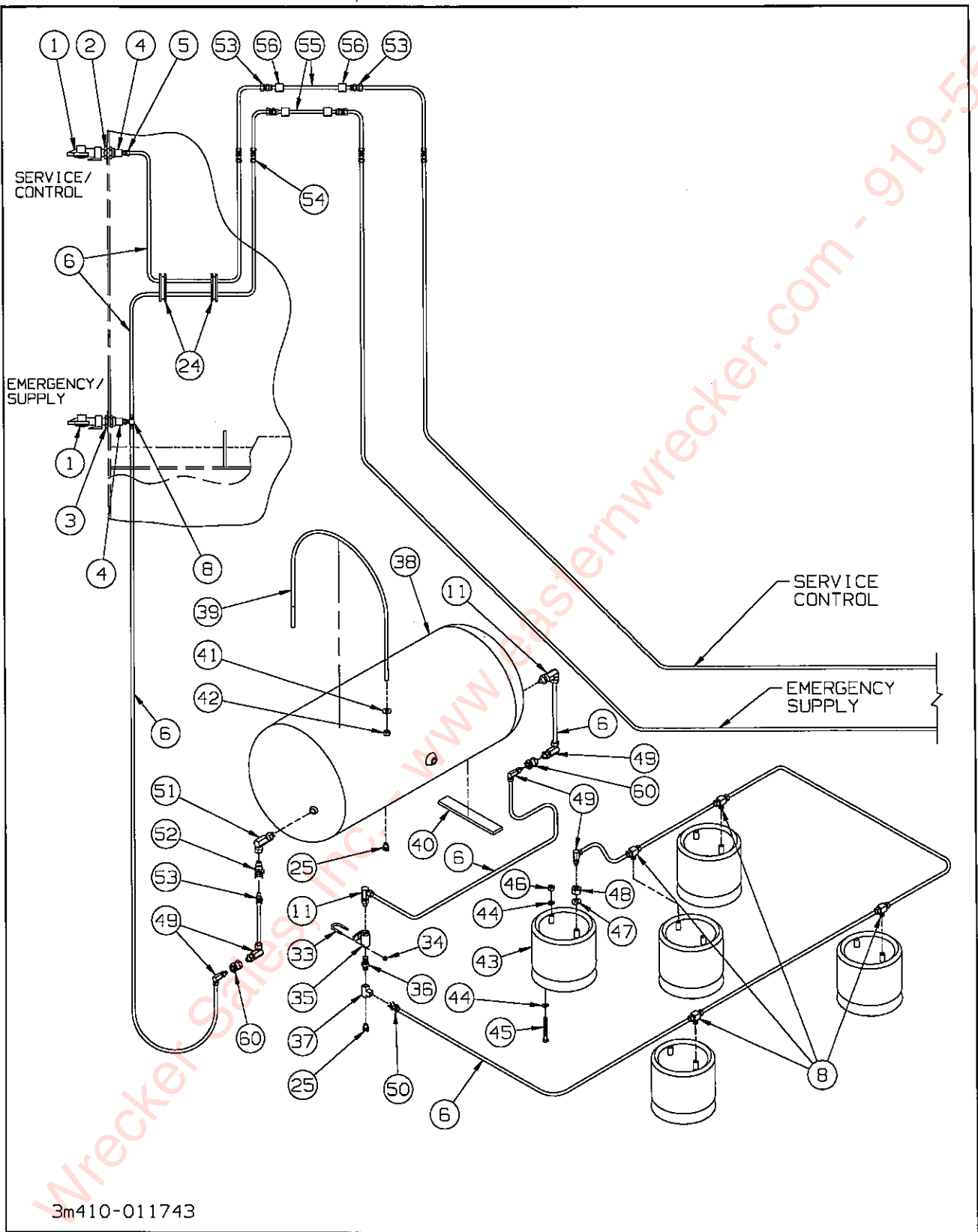


Figure 1-3 Air System Brake Assembly (1 of 2)

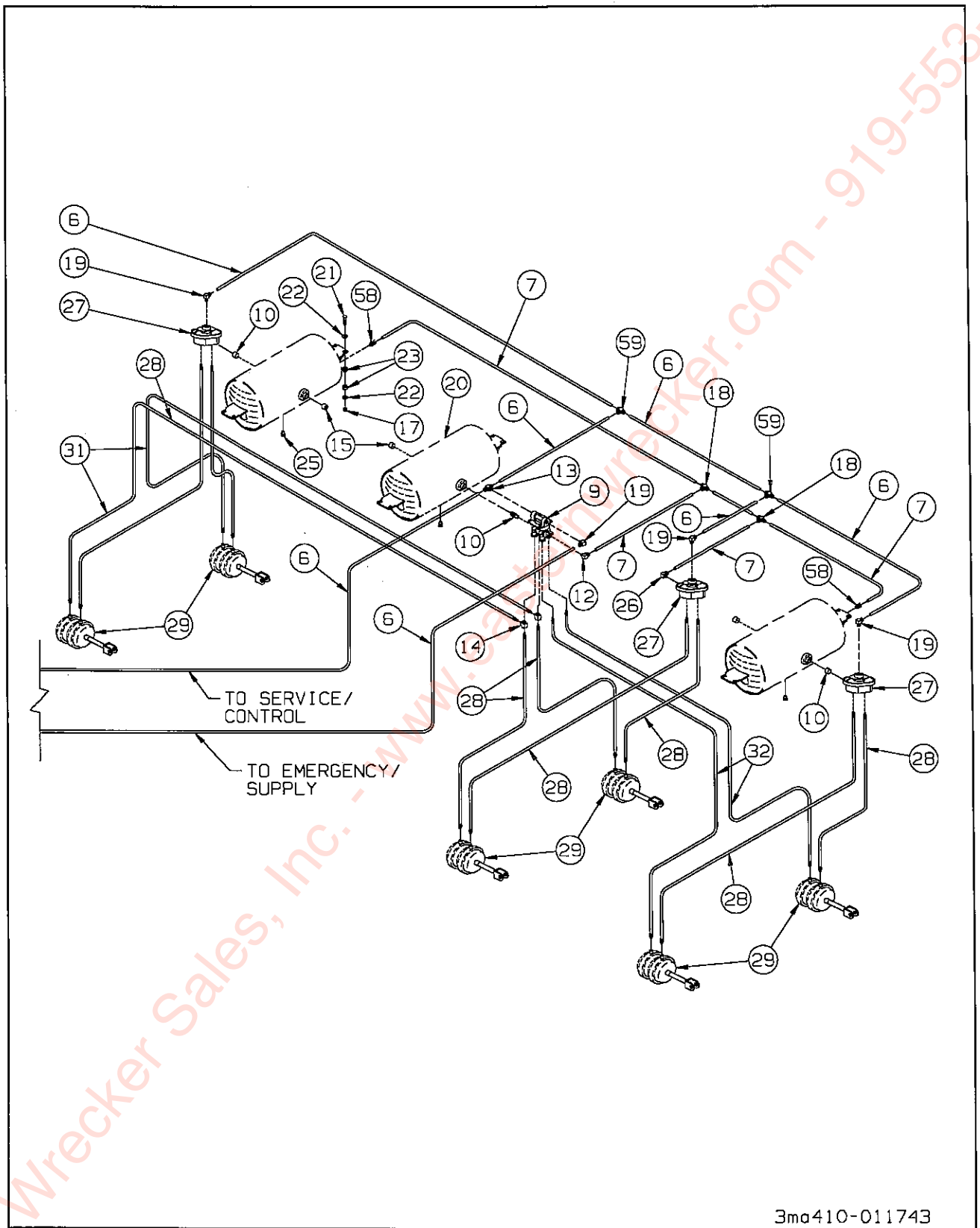


Figure 1-4 Air System Brake Assembly (2 of 2)

AIR SYSTEM BRAKE ASSEMBLY

ITEM	PART NO.	DESCRIPTION	QTY.
	3-410-011743	AIR SYSTEM BRAKE - 360 BOILER	
1	55B11	GLADHAND	2
2	55B61-7	TAG, SERVICE LINE	1
3	55B61-6	TAG, EMERGENCY LINE	1
4	55B61	FRAME UNION	2
5	1-297-010012-13	FITTING, AIR FEM CONNECT 3/8T-1/2P	1
6	1-833-010002	NYLON TUBING 3/8	AR
7	1-833-010003	NYLON TUBING 1/2	AR
8	1-297-010015-06	FITTING, AIR, BRASS TEE 3/8T-1/4P	5
9	758-181	VALVE, FOUR PORT TASK	1
10	2083-8-8S	NIPPLE 1/2X1/2	3
11	1-297-010008-21	FITTING, AIR 90 3/8 TUBE X 1/2	2
12	1-297-010008-23	FITTING, AIR 90 1/2 TUBE X 3/8	1
13	1-297-010015-07	FITTING, AIR, BRASS TEE 3/8T-3/8P	1
14	1-297-010018-03	FITTING, BRASS, STRAIGHT TEE 3/8	2
15	1-560-010002-04	PLUG, PIPE 1/2	9
16	2-181-010001	HOSE CLAMP	19
17	1-510-010001	NUT, 3/8-16 FLANGE LOCK	43
18	1-297-010010-06	FITTING, AIR, UNION TEE 1/2	2
19	1-297-010008-20	FITTING, AIR, 90 3/8 TUBE X 3/8	4
20	3-780-010002	RESERVOIR, AIR	3
21	1-654-010051-08	SCREW, HEX HEAD CAP 3/8-16 X 1-3/4 GR5	12
22	1-861-010032-11	WASHER, FLAT 3/8W	24
23	805-2	BUSHING STEP	24
24	1-343-010007	GROMMET	3
25	56D4	AIR TANK DRAIN COCK	5
26	1-297-010008-24	FITTING, AIR 90 1/2 TUBE X 1/2	1
27	3-843-010005	VALVE, RELAY 2 PORT	3
28	3-384-010020	AIR HOSE 32" 3/8 WITH 3/8 ENDS	8
29	3-128-010002	CHAMBER SPRING BRAKE	REF
31	1-384-010038084	AIR HOSE 84" 3/8 W 3/8 ENDS	2
32	1-384-010038060	AIR HOSE 60" 3/8 W 3/8 ENDS	2
33	103-0874	U-BOLT 5/16X1-3/8 X 2-3/16 1 PIPE	2
34	1-512-010005-03	NUT HEX LOCK GRB 5/16-18	4
35	758-015	VALVE 1/2 IN AIR BALL	1
36	2083-8-4S	NIPPLE HEX 1/2PIPE-1/4PIPE	1
37	1-297-010009-02	FITTING, AIR, PIPE TEE 1/4	1
38	758-105	RESERVOIR, AIR 60 GAL	1
39	551-021	ROD ANCHOR 20 IN DIAMETER	2
40	3-146-010006	CUSHION ARMORITE 2X12	2
41	1-861-010032-15	WASHER FLAT 1/2W	4
42	1-512-010005-09	NUT HEX LOCK 1/2-13 GRB	4
43	3-720-010070	SPRING ASSEMBLY, AIR	5
44	1-861-010034-13	WASHER SPLIT LOCK 1/2	25
45	1-1/2-13X1-1/2CS	SCREW HEX HEAD CAP GR5	20
46	1-512-010007-09	NUT, HEX 1/2-13 GR2	5
47	1-861-010034-17	WASHER SPLIT LOCK 3/4	5
48	1-512-010005-16	NUT, HEX LOCK 3/4-16 GRB	5
49	1-297-010008-18	FITTING AIR 90 3/8 TUBE X 1/4	5
50	1-297-010007-11	FITTING AIR 3/8 TUBE X 1/4	1

AIR SYSTEM BRAKE ASSEMBLY

ITEM	PART NO.	DESCRIPTION	QTY.
51	110-0957	ELBOW 90 ST 1/2	1
52	758-183	VALVE AIR PRESSURE PROT W/CHECK	1
53	1-297-010007-12	FITTING AIR 3/8 TUBE X 3/8	5
54	1-297-010016-02	FITTING, AIR, UNION 3/8	4
55	RCS2102	TUBE, COPPER 3/8ODX.035WAL.145	62
57	T120R	TYTON STRAP	12
58	1-297-010007-16	FITTING AIR 1/2 TUBE X 1/2	2
59	1-297-010010-03	FITTING, AIR, UNION TEE 3/8	2
60	1-297-010022-02	FITTING, AIR, ANCHOR COUPLING 1/4	2

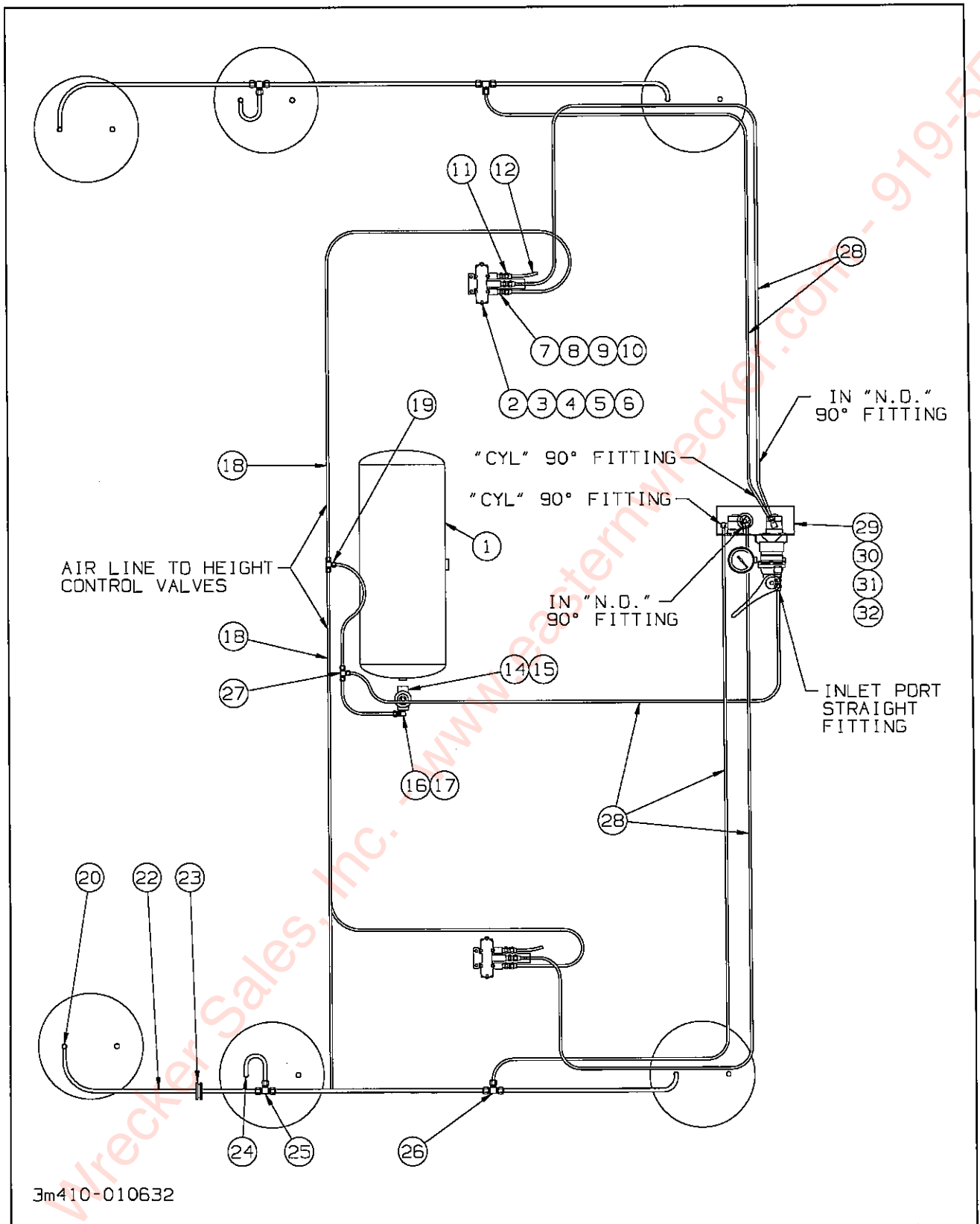


Figure 1-5 Air System Suspension Assembly

AIR SYSTEM SUSPENSION ASSEMBLY

ITEM	PART NO.	DESCRIPTION	QTY.
	3-410-010632	AIR RIDE PLUMBING INSTALLATION	
1	-----	AIR TANK	REF
2	900-54-113	HEIGHT CONTROL VALVE	2
3	900-54-441	LINK	2
4	934-00-060	LOCKNUT 1/20	8
5	930-02-361	CAPSCREW 1/4-20X1-1/4	4
6	930-02-349	CAPSCREW 1/4-20X3/4	4
7	938-00-014	INSERT	4
8	938-00-140	BRASS NUT	4
9	938-00-062	DELTRIN SLEEVE	4
10	905-54-059	FILTER	4
11	938-00-139	EXHAUST FITTING	2
12	900-54-276	EXHAUST HOSE, 6" LONG	2
13	941-00-119	DECAL (OPERATING)	1
14	900-54-001	BRAKE PROTECTION VALVE AND FILTER	1
15	1-297-010020-02	FITTING BRASS PIPE 1/4	1
16	1-297-010008-07	FITTING, AIR, 90 1/4 TUBE X 1/4NPT	1
18	1-833-010001	NYLON TUBING 1/4	10
19	1-297-010010-01	FITTING, AIR, UNION TEE 1/4	2
20	1-297-010007-11	FITTING, AIR 3/8 TUBE X 1/4	2
22	1-833-010002	NYLON TUBING 3/8	20
23	3-343-010007	GROMMET	4
24	1-297-010013-11	FITTING, AIR, 45 3/8 TUBE X 1/4	4
25	1-297-010010-03	FITTING AIR, UNION TEE 3/8	2
26	1-297-010010-04	FITTING, AIR, UNION TEE 3/8-3/8-1/4	2
27	1-297-010010-01	FITTING, AIR, UNION TEE 1/4	1
28	1-833-010001	NYLON TUBING 1/4	45
29	3-206-010004	MANUAL AIR HEIGHT CONTROL ASSY(SEE PAGE 1-23)	1
30	1-654-010047-08	SCREW HEX HEAD CAP GR5	2
31	1-861-010032-07	WASHER FLAT	2
32	1-512-010007-05	NUT HEX LOCK GRB	2

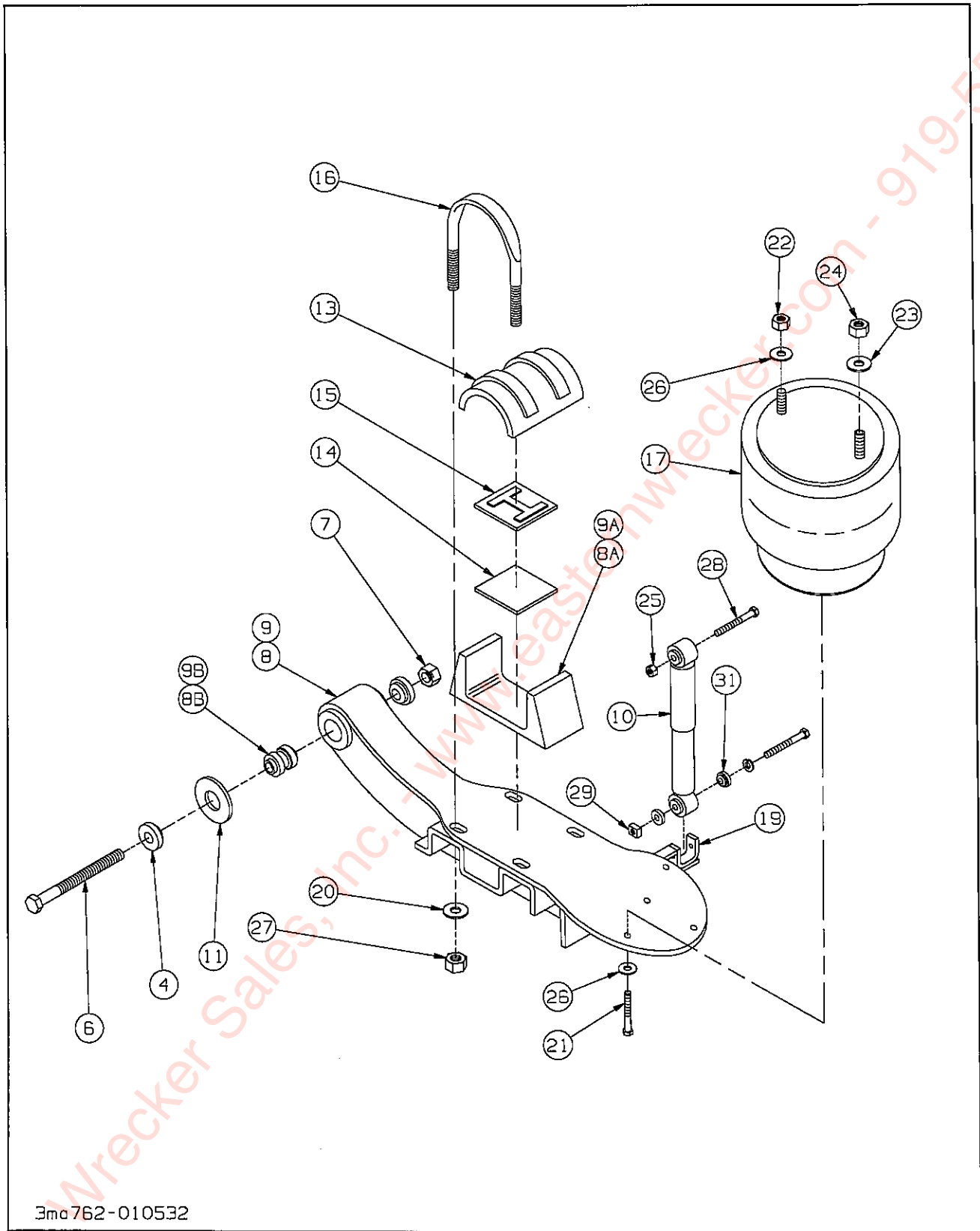


Figure 1-6 Suspension Items

SUSPENSION ITEMS

ITEM	PART NO.	DESCRIPTION	QTY.
	3-762-010532	SUSPENSION AR-75-9LC NEWAY	
4	900 08 147.420	ALIGNMENT BUSHING	4
6	932 01 048	CAP SCREW 1-1/8"-7	2
7	934 00 506	LOCK NUT 1 -1/8"- 7	2
8	905 15 857	EQUALIZING BEAM L.H.(SHOWN)	1
8A	900 01 006	AXLE BEAM SEAT	1
8B	900 08 139	BUSHING	1
9	905 15 858	EQUALIZING BEAM R.H. INCLUDES	1
9A	900 01 006	AXLE BEAM SEAT	1
9B	900 08 139	BUSHING	1
10	900 44 625	SHOCK ABSORBER	2
11	900 36 140	SPACER WASHER	4
13	900 10 032	AXLE CAP 5" DIAMETER ROUND	2
	900 10 022	AXLE CAP 5" SQUARE	2
14	900 28 043	RUBBER PAD	2
15	900 28 047	RUBBER WRAPPER 5" DIA.METER ROUND	2
	900 28 005	RUBBER WRAPPER 5" SQUARE	2
16	900 41 878	U-BOLT 1"-8 X 9" 5" DIAMETER ROUND	4
	900 41 997	U-BOLT 1"-8 X 9-1/2" 5" SQUARE	4
17	905 57 075	AIR SPRING ASSEMBLY	2
19	905 19 425	LOWER SHOCK MOUNT BRACKET	2
20	939 00 027	PLATE WASHER 1"	8
21	930 02 893	CAP SCREW 1/2"-13 X 1"	6
22	934 00 138	HEX NUT 1/2" - 13	2
23	936 00 077	LOCK WASHER 3/4"	4
24	934 00 149	HEX NUT 3/4"-16	2
25	934 00 492	LOCK NUT 3/4"-10	2
26	936 00 072	LOCK WASHER 1/2"	8
27	934 00 502	LOCK NUT 1"-8	8
28	930 03 597	CAP SCREW 3/4"-10 X 3-1/2"	4
29	934 00 367	SQUARE NUT 3/4"-10	2
31	905 08 004	REPLACEMENT BUSHING (4 PER SHOCK ABSORBER)	8

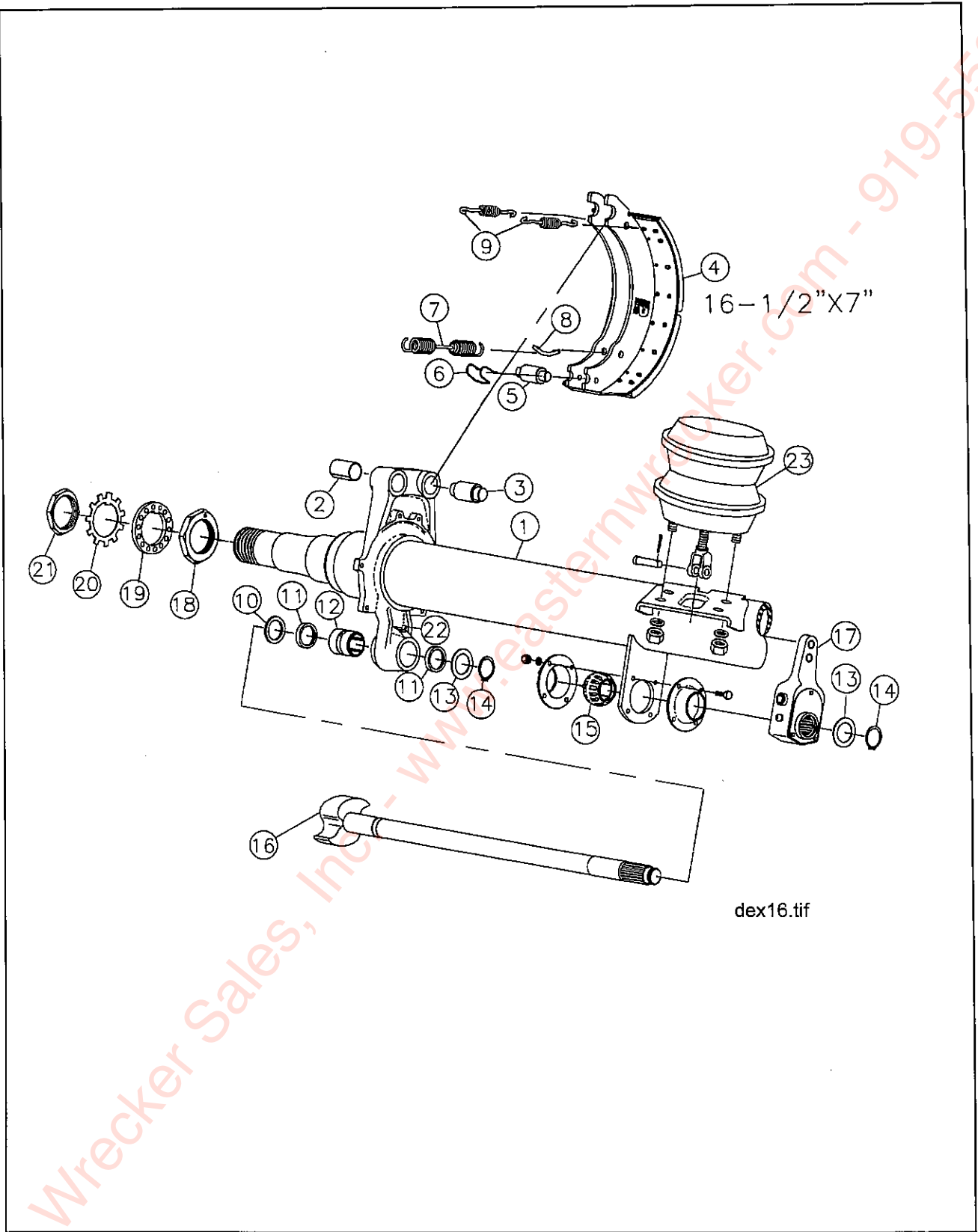


Figure 1-7 Axle Assembly (Dexter)

AXLE ASSEMBLY (DEXTER)

ITEM	PART NO.	DESCRIPTION	QTY.
	3-042-010134-03	ASSEMBLY AXLE 82 TRACK 16.5 X7	
1A*	D-2216	BEAM W/ BRACKETS	1
1B	036-092-02	SPIDER	2
1C	034-047-00	BRACKET -CAMSHAFT SUPPORT CONTAINING:	2
1C1	034-032-00	RETAINER PLATE	4
1C3	007-139-00	BOLT - RETAINER PLATE ATTACHMENT	8
1C4	005-079-00	LOCKWASHER - COVER ATTACHMENT	8
1C5	006-099-00	NUT -RETAINER PLATE ATTACHMENT	8
1D	034-048-00	BRACKET -AIR CHAMBER MOUNTING	2
2**	014-068-00	BUSHING ANCHOR PIN	4
3	056-017-00	PIN ANCHOR	4
4	040-180-00	BRAKE SHOE AND LINING	4
4A	041-058-01	LINING -BRAKE BLOCK CAM	4
4B	041-059-01	LINING -BRAKE BLOCK ANCHOR	4
	K71-136-00	BRAKE SHOE HARDWARE KIT (ITEMS 2, 3, 5, 6, 7, 8, AND 9)	2
	K71-138-00	BRAKE BLOCK KIT (ITEMS 4A, 4B, & P/N 022-018-00 RIVETS)	2
5**	014-065-00	ROLLER KNURLED	4
6**	071-122-00	RETAINER ROLLER	4
7**	046-096-00	SPRING SHOE RETURN	2
8**	056-018-00	RETAINER RETRACTOR SPRING	4
9**	046-097-00	SPRING SHOE KEEPER	4
10**	005-096-00	WASHER CAMSHAFT	2
11**	010-052-00	SEAL GREASE	4
12**	014-056-00	BUSHING CAMSHAFT SPIDER	2
13**	005-134-00	WASHER CAMSHAFT (FOR 28 SPLINE CAMSHAFT)	2
14**	069-078-00	RETAINER CAMSHAFT (FOR 28 SPLINE CAMSHAFT)	2
15**	014-058-00	BUSHING CAMSHAFT SUPPORT	2
16	034-192-03	CAMSHAFT LEFT HAND 22-5/8 (69 TRACK)	1
	034-193-03	CAMSHAFT RIGHT HAND 22-5/8 (69 TRACK)	1
	K71-135-00	CAMSHAFT REPAIR KIT (ITEMS 10-15, AND 22)	
17	055-040-04	SLACK ADJ AUTOMATIC W/ ASD 06001 SNAPNUT (GUNITE)	2
18	006-114-00	NUT INNER SPINDLE	2
19	005-098-00	WASHER SPINDLE LOCK	2
20	005-099-00	WASHER TABBED SPINDLE LOCK	2
21	006-115-00	NUT OUTER SPINDLE	2
22**	061-006-00	FITTING GREASE 65°	2
23	3-128-010002	CHAMBER AIR BRAKE (MIDLAND)	2

* WHEN ORDERING THE BEAM WITH SPINDLE, SPIDER AND BRACKETS ATTACHED, YOU WILL NEED THE BEAM NUMBER, TRACK LENGTH, BRAKE SIZE, AND CAMSHAFT LENGTH.

** THESE PARTS ARE AVAILABLE AS PART OF THE REPAIR OR HARDWARE KIT LISTED.

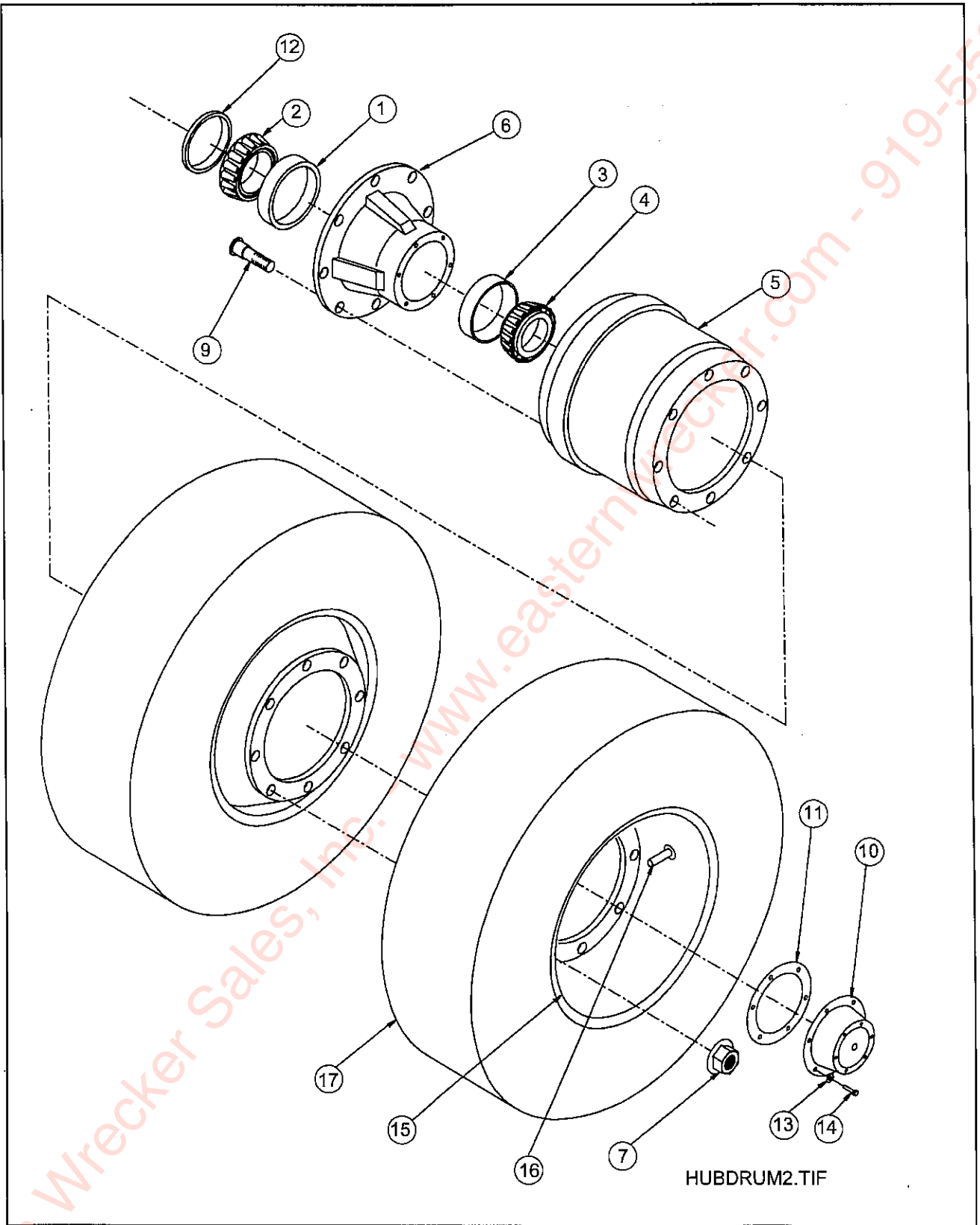
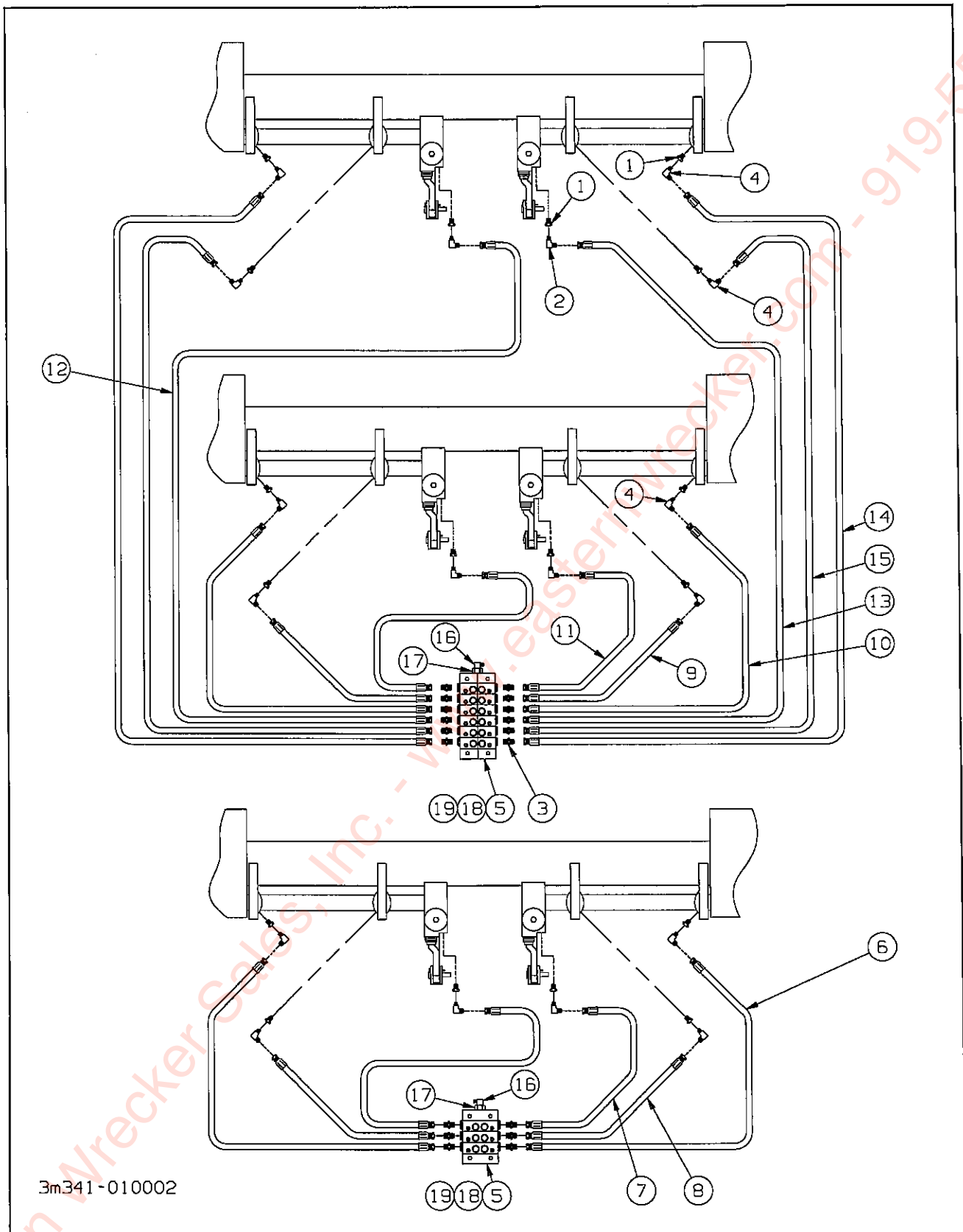


Figure 1-8 Outboard Hub/Drum Assembly

OUTBOARD HUB/DRUM ASSEMBLY

ITEM	PART NO.	DESCRIPTION	QTY
	3-406-010054	HUB/DRUM ASSEMBLY, OUTBOARD, BB, RH	
	3-406-010055	HUB/DRUM ASSEMBLY, OUTBOARD, BB, LH	
1	HM218210	INNER BEARING CUP	1
2	HM218248	INNER BEARING CONE	1
3	HM212011	OUTER BEARING CUP	1
4	HM21249	OUTER BEARING CONE	1
5	66893	BRAKE DRUM (10 BOLT)	1
6	1020	HUB (10 BOLT)	1
7	159184	STUD (10 BOLT) R.H.	10
	159183	STUD (10 BOLT) L.H.	10
8	107082	INNER CAP NUT R.H. (10 BOLT)	10
	107083	INNER CAP NUT L.H. (10 BOLT)	10
9	178910	OUTER CAP NUT R.H. (10 BOLT)	10
	178921	OUTER CAP NUT L..H. (10 BOLT)	10
10	021-038-01(4009)	CAP, HUB	1
11	071-124-00(3067)	GASKET, OIL CAP	1
12	3-659-010012	SEAL	1
13	5/16SLW	WASHER, LOCK 5/16	6
14	1-654-010049-03	SCREW, HEX HEAD 5/16-18 GR5	6
15	3-870-010014	WHEEL, DISC 7.50 X 22.5	1
16	TR573	VALVE STEM	1
17	3-798-010094	TIRE 255/70R22.5 BRIDGESTONE	1



3m341-010002

Figure 1-9 Grease System

GREASE SYSTEM

ITEM	PART NO.	DESCRIPTION	QTY.
	B3-341-002	GREASE SYSTEM, TRI AXLE, SPREAD	
1	20024	ADAPTER STRAIGHT	18
2	20029	ADAPTER 90	6
3	118-2680-3	ADAPTER STRAIGHT	18
4	2024-2-4	ADAPTER 90	12
5	3-341-010002	GREASE SYSTEM FOR TRI AXLE	1
6	3-398-010001	HOSE ASSEMBLY 72 REAR AXLE	2
7	3-398-010002	HOSE ASSEMBLY 64 REAR AXLE	2
8	3-398-010004	HOSE ASSEMBLY 60 REAR AXLE	2
9	3-398-010007	HOSE ASSEMBLY 114 MIDDLE AXLE	2
10	3-398-010013	HOSE ASSEMBLY 125 MIDDLE AXLE	2
11	3-398-010014	HOSE ASSEMBLY 115 MIDDLE AXLE	2
12	3-398-010015	HOSE ASSEMBLY 180 FRONT AXLE	1
13	3-398-010016	HOSE ASSEMBLY 183 FRONT AXLE	1
14	3-398-010017	HOSE ASSEMBLY 164 FRONT AXLE	2
15	3-398-010018	HOSE ASSEMBLY FRONT AXLE	2
16	5000	ZERK FITTING 1/8	2
17	2022-2-4S	ADAPTER	2
18	1-654-010047-10	SCREW HEX HEAD CAP 1-1/4-20 X 2 GR5	8
19	1-512-010005-01	NUT HEX LOCK 1/4-20 GRB	8

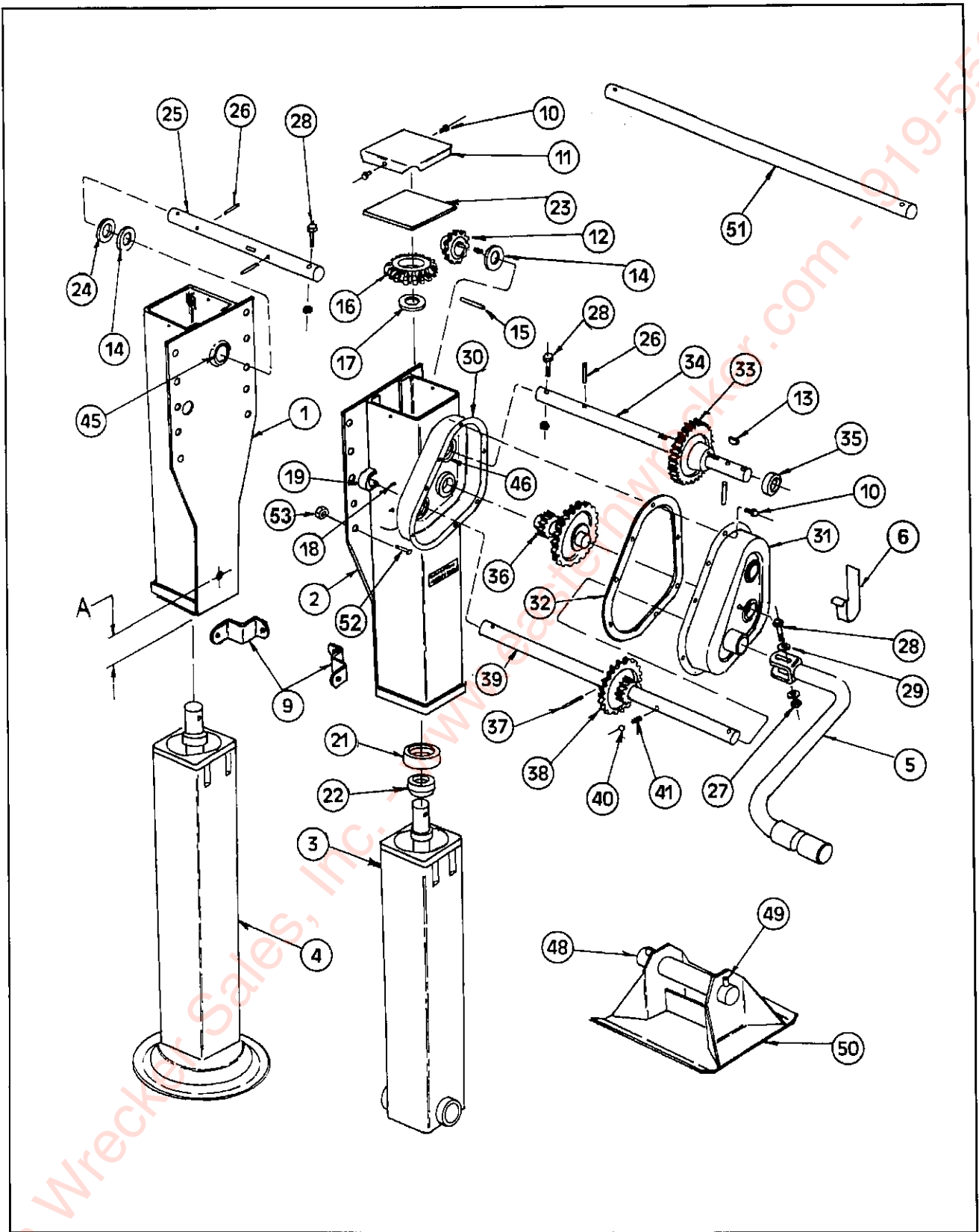
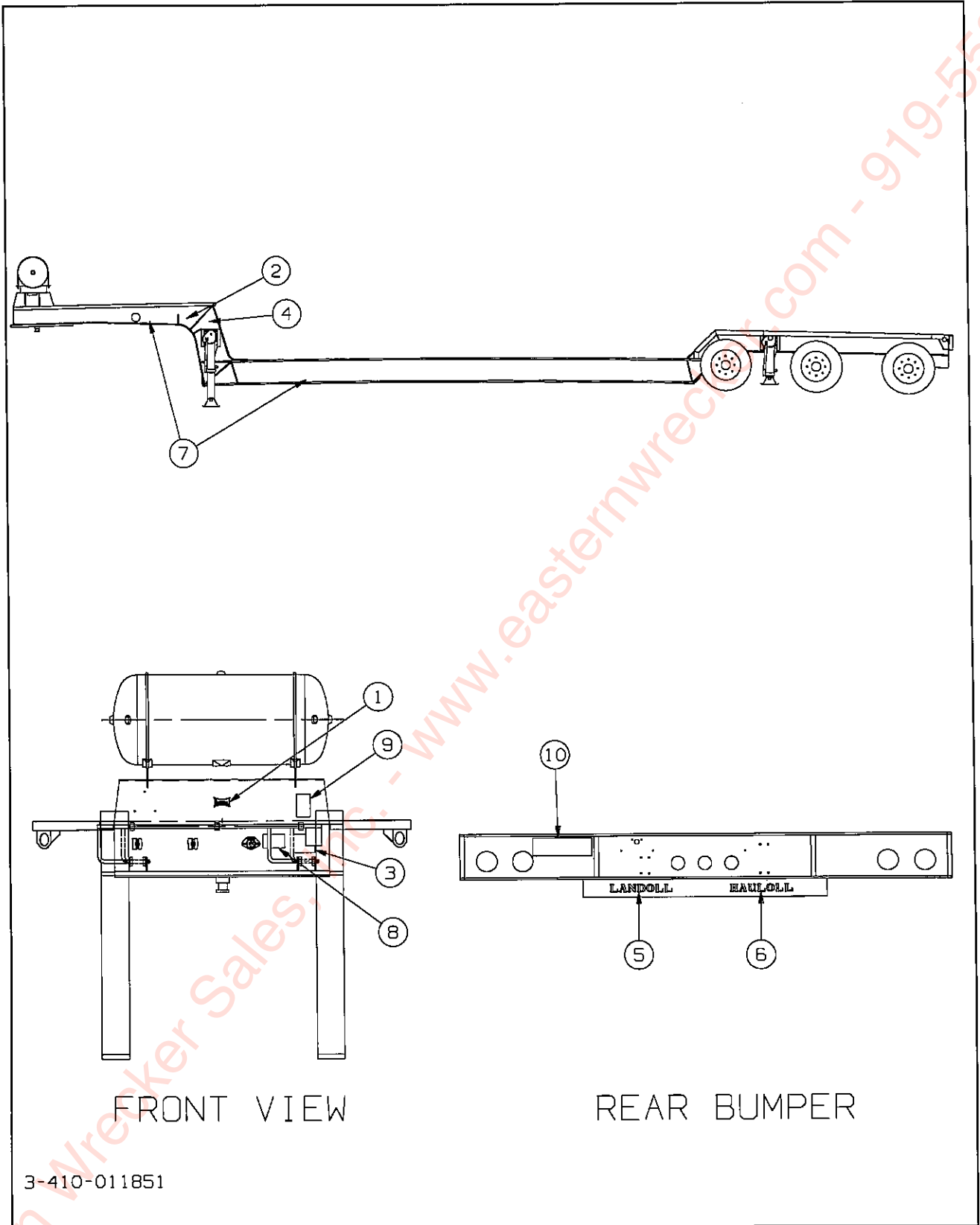


Figure 1-10 Landing Gear Assembly

LANDING GEAR ASSEMBLY

ITEM	PART NO.	DESCRIPTION	QTY.
	3-725-010049	LANDING GEAR 180,000 12" CRANK	
1	LG0275-02	UPPER HSG. L.H.	1
2	LG0645-02	UPPER HSG. R.H. (WITH GEARBOX HALF)	1
3	LG0576-02	RETRACTING TUBE ASSEMBLY	2
4	LG0582-02	RETRACTING TUBE ASSY 12"DIA., SHOCK FOOT	2
5	LG0083	UNIVERSAL CRANK	1
6	LG0085	CRANK HANGER	1
7	LG0094	CROSS DRIVE SHAFT (NOT SHOWN)	1
8	LG0091	STRUT BRACE (NOT SHOWN)	4
9	LG0266	STRUT BRACKET	2
10	PP0008-11	SCREW-COVER AND GEARBOX	11
11	LG0264	COVER	2
12	LG0531-02	PINION GEAR	2
13	PP0018-02	WOODRUFF KEY	3
14	PP0016-19	THRUST WASHER	2
15	PP0052-21	GROOVE PIN	2
16	LG0570-01	BEVEL GEAR	2
17	PP0016-62	WASHER	2
18	PP0022-08	GREASE FITTING	5
19	LG1364	SHIFT SHAFT SUPPORT	1
20	LG0668	RUBBER SEAL - BEHIND GEARBOX(NOT SHOWN)	1
21	PP0013-06	THRUST BEARING	2
22	LG0289	COLLAR	2
23	LG0413	COVER GASKET	2
24	PP0016-14	THRUST WASHER L.H.	1
25	LG0369-01	JACK SHAFT L.H. I-BEAM MT.	1
26	PP0014-27	ROLL PIN	4
27	PP0012-04	SELF-LOCKING NUT	3
28	PP0050-42	BOLT-CRANK AND CROSS DRIVE	3
29	PP0016-03	WASHER FLAT	2
30	LG0662	GEARBOX HALF-INSIDE	1
31	LG0663	GEARBOX HALF-OUTSIDE	1
32	LG0428	GASKET	1
33	LG0543-01	OUTPUT GEAR	1
34	LG0370-01	JACK SHAFT R.H. I-BEAM MT.	1
35	LG0219-01	SPACER BUSHING	1
36	LG0542-01	IDLER GEAR	1
37	PP0014-07	GROOVE PIN	1
38	LG0541-01	INPUT GEAR	1
39	LG0371-01	SHIFT SHAFT I-BEAM MT.	1
40	PP0023-01	SHIFT SHAFT BALL	1
41	PP0020-02	SHIFT SHAFT SPRING	1
42	LG0658-01	SHIFT LOCK BOSS (PRESS FIT)	1
43	LG0559	DOUBLE STEP BOSS (NOT SHOWN)	1
44	LG1570	RETAINER (NOT SHOWN)	1
45	LG0219	BUSHING	2
46	LG0660	STEP BOSS G.B. TO HSG. PRESS IT	1
47	LG0553	GEARBOX ASSY. COMPLETE UNIV.(NOT SHOWN)	1
48	LG0204-04	SOLID AXLE-SAND SHOE	2
49	PP0014-99	ROLL PIN	4
50	LG0051	SHOE 10" X 12" X 2"	2
51	3-831-010024	TUBE CRANK, 360 BOILER	2
52	1-512-010005-13	NUT HEX LOCK 5/8-11 GRB	36
53	1-654-010059-03	SCREW HEX HEAD CAP 5/8-11 X 1-1/2 GR5	36
54	LG0659-01	BOSS, PRESS FIT (NOT SHOWN)	4



FRONT VIEW

REAR BUMPER

3-410-011851

Figure 1-11 Decal Installation

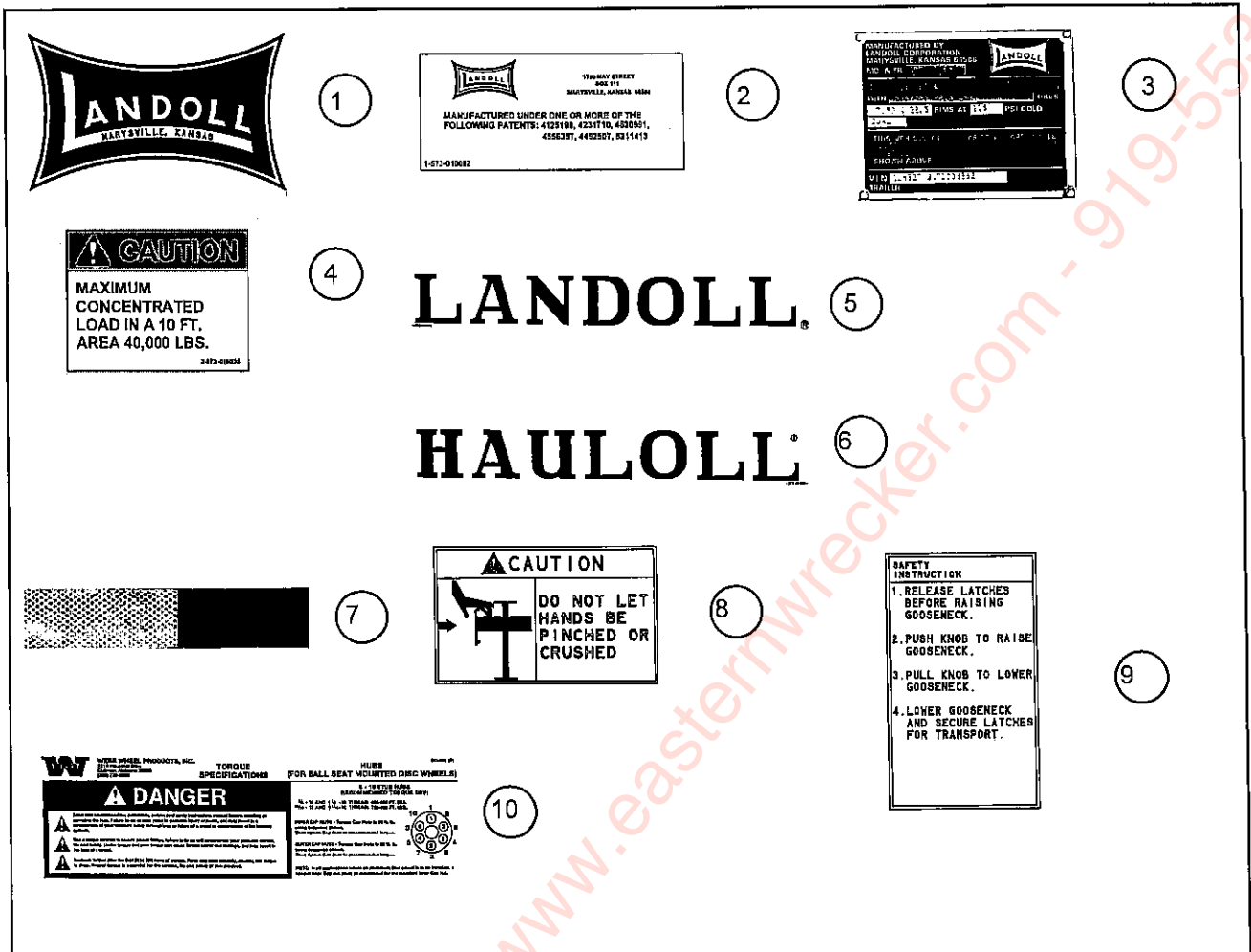


Figure 1-12 Decals

DECAL INSTALLATION

ITEM	PART NO.	DESCRIPTION	QTY.
1	1-573-010013	DECAL LANDOLL WHITE	1
2	1-573-010082	DECAL PATENT TRAILERS	2
3	3-573-010020	PLATE, IDENTIFICATION	1
4	3-573-010035	DECAL 40000 LBS CONC LOAD	2
5	3-573-010049	WHITE LANDOLL DECAL	1
6	3-573-010051	WHITE HAULLOLL DECAL	1
7	3-573-010377	DECAL, 2" REFLEXITE TAPE, RD/WHT	AR
8	3-573-010207	DECAL, PINCHED OR CRUSHED	1
9	3-573-010208	DECAL, SAFETY INDECK	1
10	3-573-010211	DECAL TORQUE SPEC 6-10 STUD HUB	3

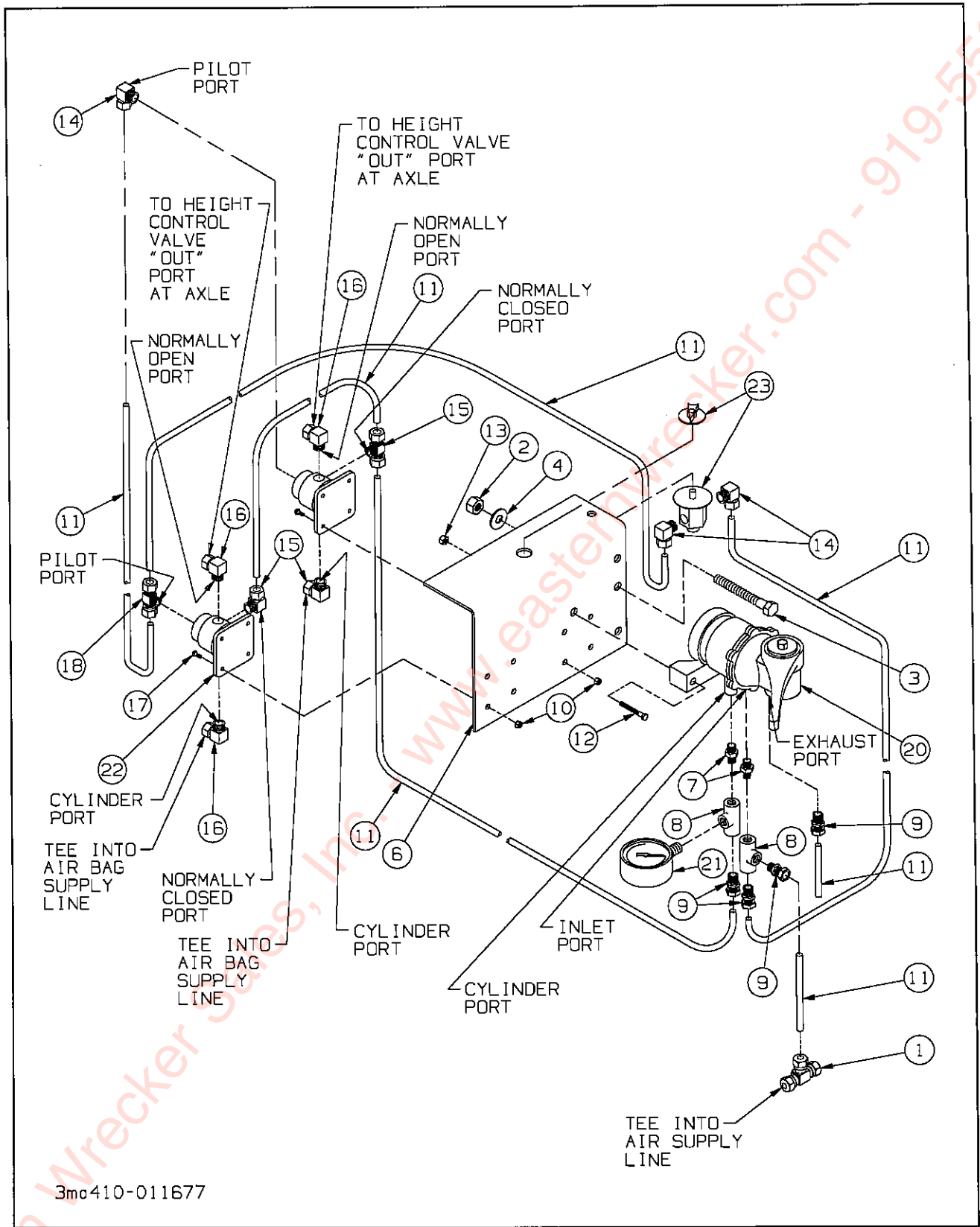


Figure 1-13 Manual Height Control Assembly

MANUAL HEIGHT CONTROL ASSEMBLY

ITEM	PART NO.	DESCRIPTION	QTY.
	B7-206-007	MANUAL HEIGHT CONTROL ASSEMBLY	
1	1-297-010010-01	FITTING, AIR, UNION TEE 1/4	1
2	1-510-010001	NUT, 3/8-16 FLANGE LOCK	2
3	1-654-010051-06	SCREW, HEX HEAD CAP 3/8-16 X 1-1/4 GR5	2
4	1-861-010032-11	WASHER, FLAT 3/8	2
5	3-206-010004	CONTROL ASSY MAN.AIR HT(INCLUDES ITEMS 6-19)	1
6	3-565-010286	PLATE MTG AIR LIFT KIT(BOLTED TO TRAILER)	1
7	1-297-010020-02	FITTING BRASS PIPE,CLOSE NIPPLE 1/4	2
8	1-297-010009-02	FITTING AIR PIPE TEE 1/4	2
9	1-297-010007-05	FITTING AIR 1/4 TUBE X 1/4	4
10	3/16HFLN	NUT HEX LOCK	8
11	1-833-010001	NYLON TUBING 1/4	AR
12	1-654-010049-06	SCREW HEX HEAD CAP 5/16-18 X 1-1/4 GR2	2
13	1-512-010005-03	NUT HEX LOCK 5/16-18	2
14	1-297-010008-05	FITTING AIR 90 1/4 X 1/8	3
15	1-297-010015-03	FITTING AIR BRANCH TEE 1/4T-1/4P	1
16	1-297-010008-07	FITTING AIR 90 1/4 TUBE X 1/4	5
17	3/16X3/4RHD STV	ROUND HEAD STOVE BOLT	8
18	1-297-010015-02	FITTING AIR BRANCH TEE 1/4T-1/8	1
19	3-762-010357	AIR CONTROL KIT R/L(INCLUDES ITEMS 20-23)	1
20	900-54-082	VALVE HAND CONTROL	1
21	900-54-280	GAUGE AIR	1
22	900-54-079	PILOT VALVE	2
23	900-54-088	VALVE MANUAL OPERATED	1

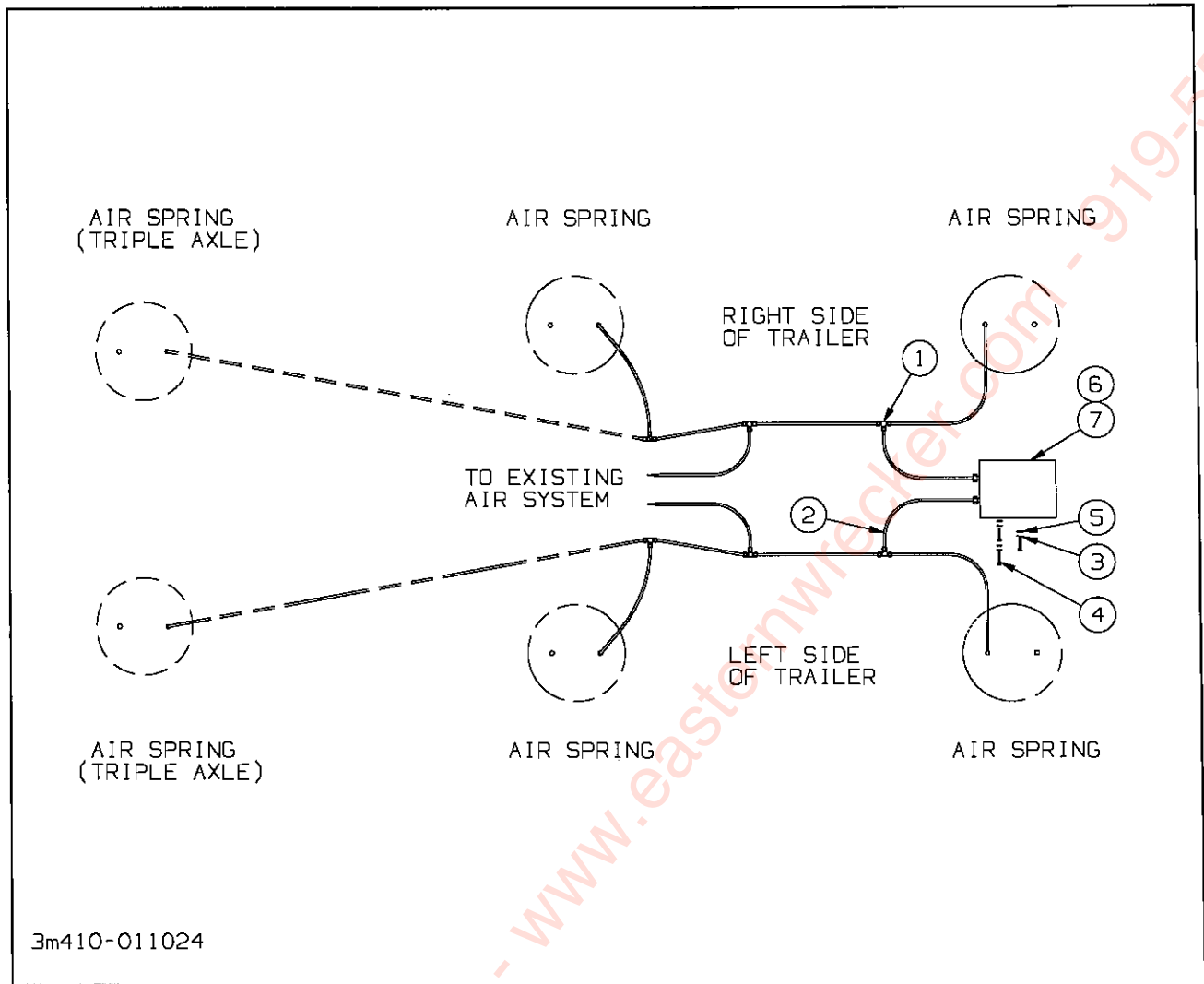


Figure 1-14 Suspension Scale-o-matic Assembly (Option)

SUSPENSION SCALE-O-MATIC ASSEMBLY (OPTION)

ITEM	PART NO.	DESCRIPTION	QTY.
	B7-762-159	INSTALLATION, SCALE-O-MATIC	
1	1-297-010011-03	FITTING, AIR, M/RUN TEE 3/8 X 1/4	2
2	1-833-010001	TUBING NYLON 1/4	5
3	1-861-010032-06	WASHER, FLAT 1/4	3
4	1-654-010047-08	SCREW, HEX HEAD CAP 1/4-20 X 1-1/2 GR5	3
5	1-512-010005-01	NUT HEX LOCK 1/4-20	3
6	3-125-010505	BRACKET, SCALE-O-MATIC MOUNTING	1
7	3-762-010612	SUSPENSION, SCALE-O-MATIC 25M CAP	1

NUMERICAL INDEX

<u>PART</u>	<u>PAGE</u>	<u>PART</u>	<u>PAGE</u>	<u>PART</u>	<u>PAGE</u>
005-079-00	13	1-297-010007-16	7	1-512-010007-09	6
005-096-00	13	1-297-010008-05	23	1-560-010002-04	6
005-098-00	13	1-297-010008-07	23	1-573-010013	21
005-099-00	13	1-297-010008-07	9	1-573-010082	21
005-134-00	13	1-297-010008-18	6	159183	15
006-099-00	13	1-297-010008-20	6	159184	15
006-114-00	13	1-297-010008-21	6	1-654-010047-08	9
006-115-00	13	1-297-010008-23	6	1-654-010047-08	24
007-139-00	13	1-297-010008-24	6	1-654-010047-10	17
010-052-00	13	1-297-010009-02	23	1-654-010049-03	15
014-056-00	13	1-297-010009-02	6	1-654-010049-06	23
014-058-00	13	1-297-010010-01	23	1-654-010051-06	23
014-065-00	13	1-297-010010-01	9	1-654-010051-08	6
014-068-00	13	1-297-010010-01	9	1-654-010059-03	19
021-038-01(4009)	15	1-297-010010-03	7	1-788-010003	3
034-032-00	13	1-297-010010-03	9	178910	15
034-047-00	13	1-297-010010-04	9	178921	15
034-048-00	13	1-297-010010-06	6	1-833-010001	23
034-192-03	13	1-297-010011-03	24	1-833-010001	24
034-193-03	13	1-297-010012-13	6	1-833-010001	9
036-092-02	13	1-297-010013-11	9	1-833-010001	9
040-180-00	13	1-297-010015-02	23	1-833-010002	9
041-058-01	13	1-297-010015-03	23	1-833-010002	6
041-059-01	13	1-297-010015-06	6	1-833-010003	6
046-096-00	13	1-297-010015-07	6	1-861-010032-06	24
046-097-00	13	1-297-010016-02	7	1-861-010032-07	9
055-040-04	13	1-297-010018-03	6	1-861-010032-11	23
056-017-00	13	1-297-010020-02	9	1-861-010032-11	6
056-018-00	13	1-297-010020-02	23	1-861-010032-15	6
061-006-00	13	1-297-010022-02	7	1-861-010034-10	3
069-078-00	13	1-343-010006	3	1-861-010034-13	6
071-122-00	13	1-343-010007	6	1-861-010034-17	6
071-124-00(3067)	15	1-384-010038060	6	1-879-010008018	3
1020	15	1-384-010038084	6	1-879-010010012	3
10205R	3	15009	3	1-879-010010690	3
10205Y	3	1-510-010001	6	1-879-010011690	3
103-0874	6	1-510-010001	23	1/4 SLW	3
10403	3	1-512-010005-01	24	1/4-20X1-1/4CB	3
10404	3	1-512-010005-01	17	20024	17
107082	15	1-512-010005-03	3	20029	17
107083	15	1-512-010005-03	23	2021-2-4	17
110-0957	7	1-512-010005-03	6	2022-2-4S	17
1-1/2-13X1-1/2CS	6	1-512-010005-09	6	2024-2-4	17
1-297-010007-05	23	1-512-010005-13	19	2083-8-4S	6
1-297-010007-11	6	1-512-010005-16	6	2083-8-8S	6
1-297-010007-11	9	1-512-010007-05	3	2-181-010001	6
1-297-010007-12	7	1-512-010007-05	9	3-042-010134- 03	13

<u>PART</u>	<u>PAGE</u>	<u>PART</u>	<u>PAGE</u>	<u>PART</u>	<u>PAGE</u>
3-125-010505	24	3/16HFLN	23	930 02 893	11
3-128-010002	6	3/16SLW	3	930 03 597	11
3-128-010002	13	3/16X3/4RHD STV	23	930-02-349	9
3-146-010006	6	40015R	3	930-02-361	9
3-156-010009708	3	5000	17	932 01 048	11
3-201-010001680	3	551-021	6	934 00 138	11
3-206-010004	9	55B11	6	934 00 149	11
3-206-010004	23	55B61	6	934 00 367	11
3-272-010022	3	55B61-6	6	934 00 492	11
3-341-010002	17	55B61-7	6	934 00 502	11
3-343-010007	9	56D4	6	934 00 506	11
3-368-010023	3	59S-7	3	934-00-060	9
3-384-010020	6	59W-2-3	3	936 00 072	11
3-398-010001	17	5/16-18x1-1/4CS	3	936 00 077	11
3-398-010002	17	5/16SLW	15	938-00-014	9
3-398-010004	17	66893	15	938-00-062	9
3-398-010007	17	750-029	3	938-00-139	9
3-398-010013	17	758-015	6	938-00-140	9
3-398-010014	17	758-105	6	939 00 027	11
3-398-010015	17	758-181	6	941-00-119	9
3-398-010016	17	758-183	7	B3-341-002	17
3-398-010017	17	805-2	6	B7-206-007	23
3-398-010018	17	900 01 006	11	B7-762-159	24
3-406-010054	15	900 01 006	11	C01-416	3
3-406-010055	15	900 08 139	11	D-2216	13
3-410-010632	9	900 08 139	11	HM212011	15
3-410-010820	3	900 08 147.420	11	HM21249	15
3-410-011743	6	900 10 022	11	HM218210	15
3-565-010286	23	900 10 032	11	HM218248	15
3-573-010020	21	900 28 005	11	K71-135-00	13
3-573-010035	21	900 28 043	11	K71-136-00	13
3-573-010049	21	900 28 047	11	K71-138-00	13
3-573-010051	21	900 36 140	11	LG0051	19
3-573-010207	21	900 41 878	11	LG0083	19
3-573-010208	21	900 41 997	11	LG0085	19
3-573-010211	21	900 44 625	11	LG0091	19
3-573-010377	21	900-54-001	9	LG0094	19
3-659-010012	15	900-54-079	23	LG0204-04	19
3-720-010070	6	900-54-082	23	LG0219	19
3-725-010049	19	900-54-088	23	LG0219-01	19
3-762-010357	23	900-54-113	9	LG0264	19
3-762-010532	11	900-54-276	9	LG0266	19
3-762-010612	24	900-54-280	23	LG0275-02	19
3-780-010002	6	900-54-441	9	LG0289	19
3-798-010094	15	905 08 004	11	LG0369-01	19
3-831-010024	19	905 15 857	11	LG0370-01	19
3-843-010005	6	905 15 858	11	LG0371-01	19
3-870-010014	15	905 19 425	11	LG0413	19
3/16-24HFN	3	905 57 075	11	LG0428	19
3/16-3/4RHD STV	3	905-54-059	9	LG0531-02	19

PART	PAGE
LG0541-01	19
LG0542-01	19
LG0543-01	19
LG0553	19
LG0559	19
LG0570-01	19
LG0576-02	19
LG0582-02	19
LG0645-02	19
LG0658-01	19
LG0659-01	19
LG0660	19
LG0662	19
LG0663	19
LG0668	19
LG1364	19
LG1570	19
PP0008-11	19
PP0012-04	19
PP0013-06	19
PP0014-07	19
PP0014-27	19
PP0014-99	19
PP0016-03	19
PP0016-14	19
PP0016-19	19
PP0016-62	19
PP0018-02	19
PP0020-02	19
PP0022-08	19
PP0023-01	19
PP0050-42	19
PP0052-21	19
RCS2102	7
T120R	7
TR573	15

