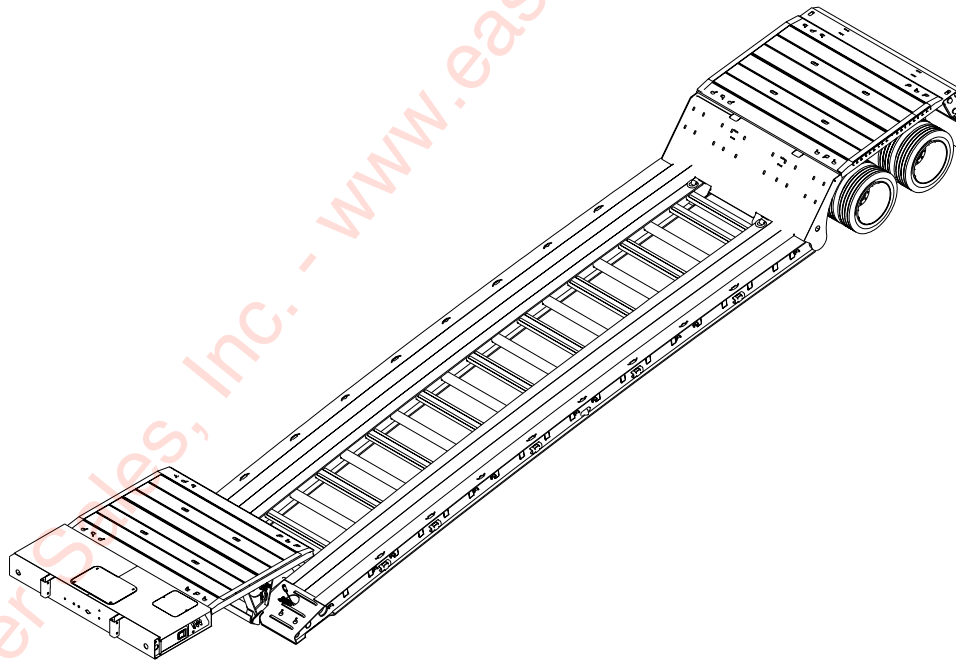




**MODEL 825A/835 SERIES
SEMITRAILER
PARTS LIST**



**1900 North Street
Marysville, KS 66508
(785)562-5381**

ILLUSTRATED PARTS LIST

1

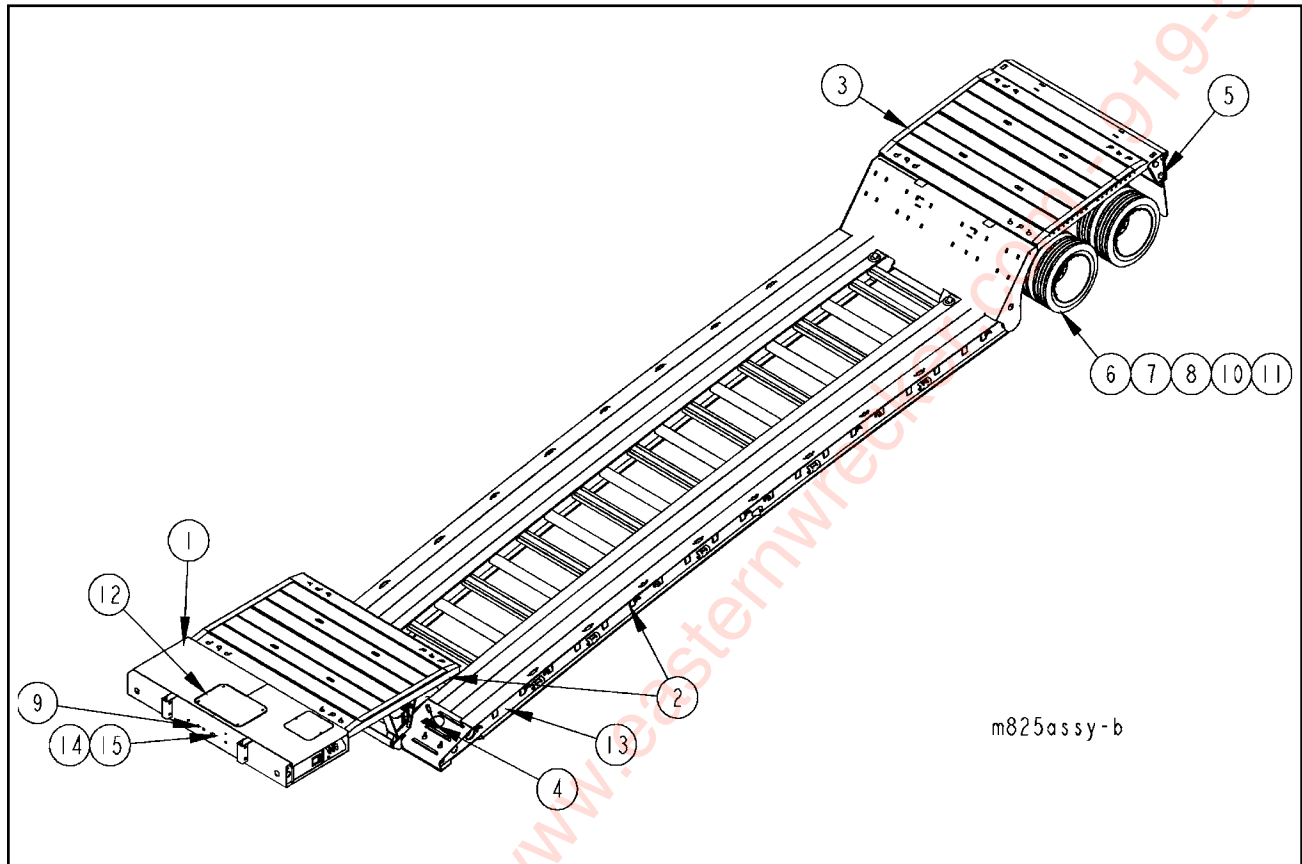


Figure 1-1 General Assembly

GENERAL ASSEMBLY

ITEM	PAGE/PART NO.	DESCRIPTION	QTY.
1	1-2 - 1-3	GOOSENECK ASSEMBLY	
2	1-4 - 1-7	BED AND PULL/SWING OUT INSTALLATIONS	
3	1-8 - 1-13	FRAME AND FLIP AIR RIDE ASSEMBLIES	
4	1-14 - 1-21	HYDRAULIC ASSEMBLIES	
5	1-22 - 1-25	ELECTRICAL ASSEMBLY	
6	1-26 - 1-29	SUSPENSION ASSEMBLIES	
7	1-30 - 1-31	AXLE AND BRAKE ASSEMBLY	
8	1-32 - 1-33	AIR CONTROL KIT	
9	1-34 - 1-35	AIR SYSTEM	
10	1-36 - 1-43	AIR BRAKE SYSTEMS	
11	1-44 - 1-45	HUB AND DRUM ASSEMBLY	
12	1-50 - 1-58	WINCH INSTALLATION	
13	1-60 - 1-61	DECAL INSTALLATION	
14	1-62 - 1-65	HYDRAULIC WET KIT ASSEMBLY	
15	1-46 - 1-49;1-59;1-66 - 1-79	MISCELLANEOUS OPTIONS	

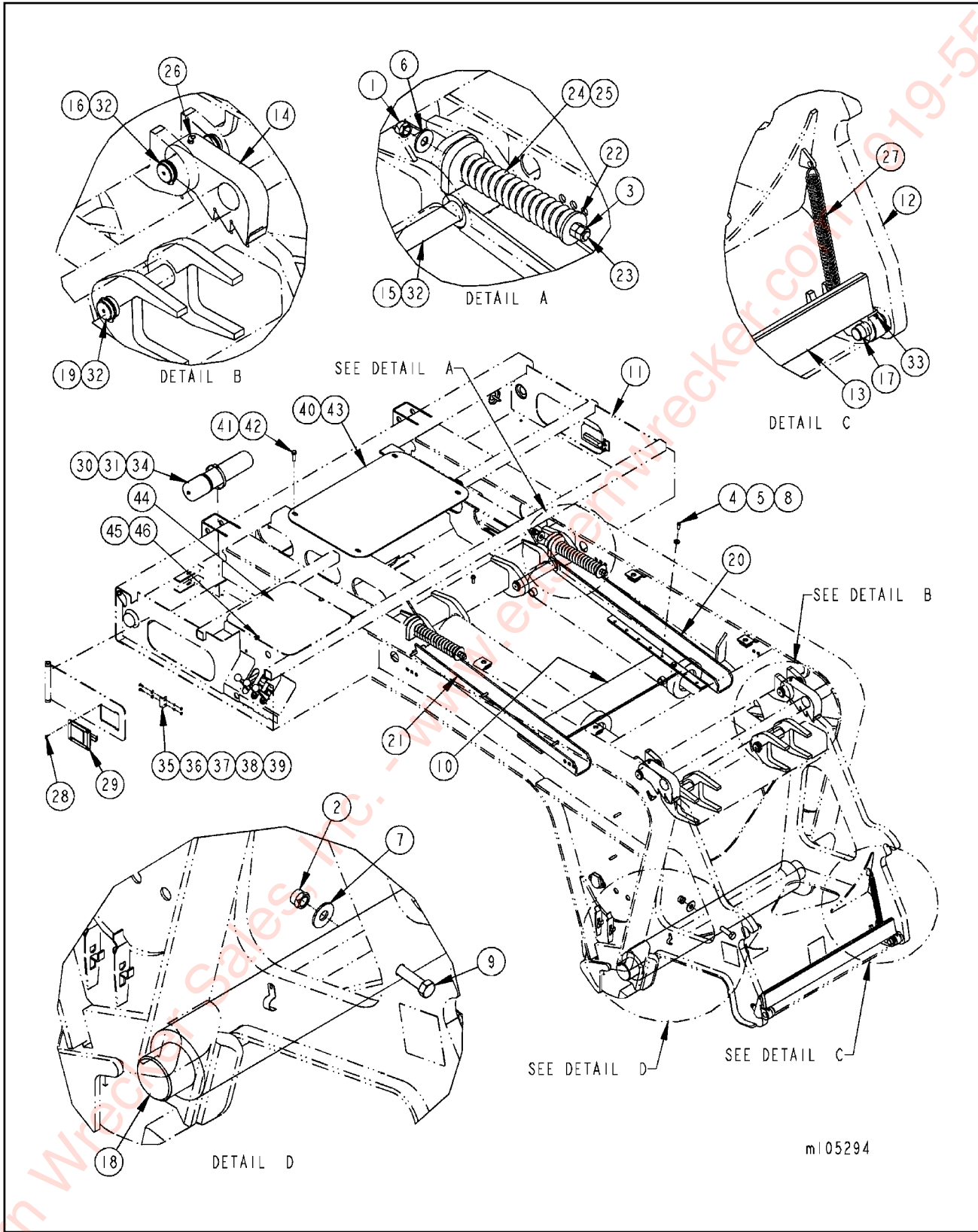
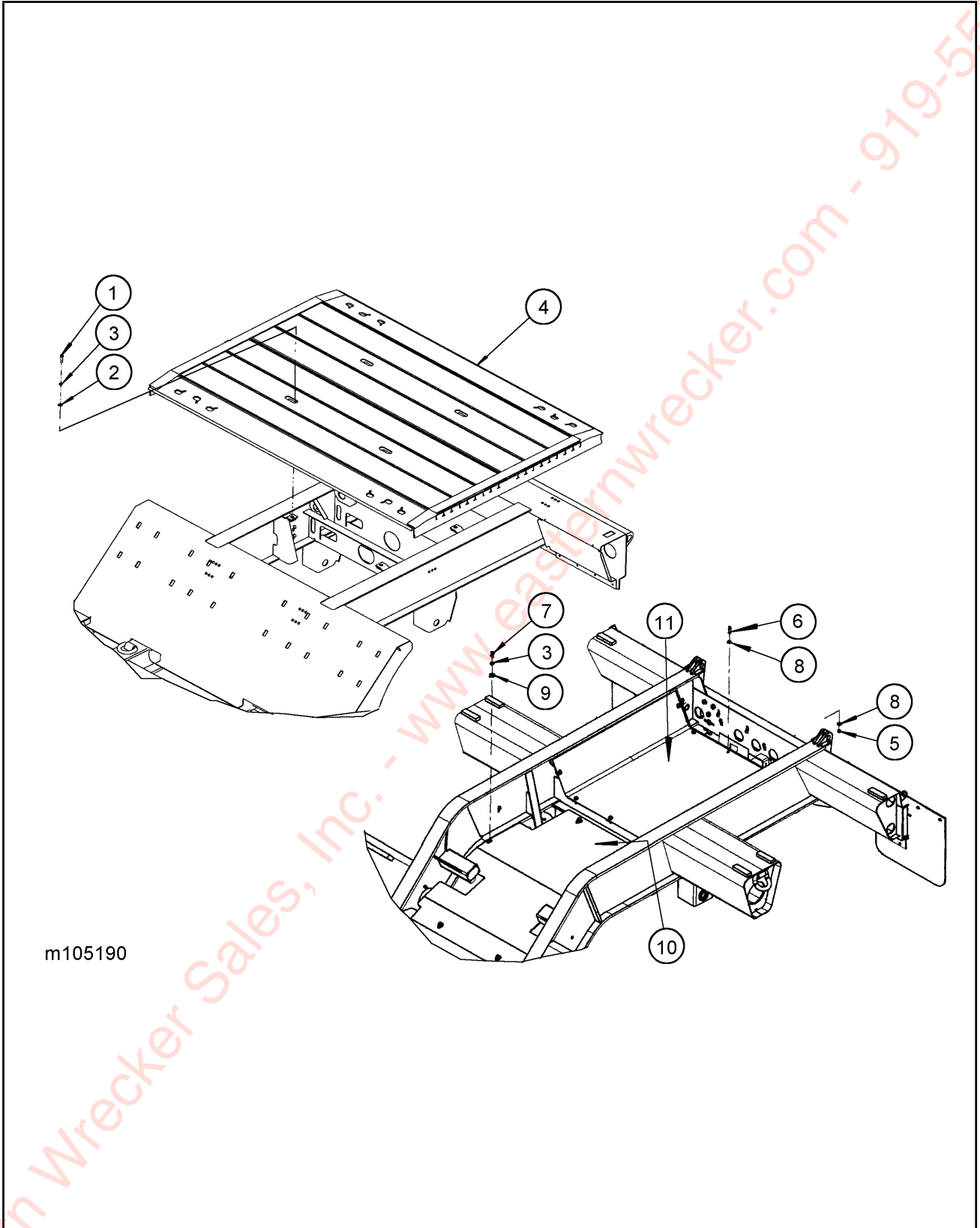


Figure 1-2 Gooseneck Assembly

GOOSENECK ASSEMBLY

ITEM	PART NO.	DESCRIPTION	QTY.
	105294	GOOSENECK ASSEMBLY (825A)	
	120412	GOOSENECK ASSEMBLY (835)	
1	1-512-010005-13	NUT, HEX LOCK 5/8-11 GRB	2
2	1-512-010005-15	NUT, HEX LOCK 3/4-10 GRB	1
3	1-512-010007-11	NUT, HEX 5/8-11 GRB	4
4	1-654-010051-05	SCREW, HEX HEAD CAP 3/8-16 X 1 GR5	4
5	1-861-010032-11	WASHER, FLAT 3/8W	*9,6
6	1-861-010032-19	WASHER, FLAT 5/8W	2
7	1-861-010032-21	WASHER, FLAT 3/4W	1
8	1-861-010034-11	WASHER, SPLIT LOCK 3/8	4
9	100855	SCREW, HEX HEAD CAP 3/4-10 X 6-1/2 GR5	1
10	105209	BAR, LIFT ARM CONNECTION	1
11	105211	GOOSENECK WELDMENT (825A)	1
	120084	GOOSENECK WELDMENT (835)	1
12	105212	CARRIER WELDMENT	1
13	105237	LATCH, WELDMENT G/N LOWER	1
14	105239	LATCH, WELDMENT G/N UPPER	1
15	105241	PIN, 1-1/2 X 15	2
16	105242	PIN, 1-1/2 X 5-1/4	2
17	105243	PIN, LOWER G/N LATCH	2
18	105245	PIN, G/N TO CARRIER	1
19	105272	PIN, 1-1/2 X 7-3/4	2
20	105285	WELDMENT, RH CHANNEL, LIFT G/N	1
21	106943	WELDMENT, LH CHANNEL LIFT G/N	1
22	106945	WASHER, G/N LIFT	2
23	106961	ROD, 5/8 THREADED	2
24	2-720-010002	SPRING CLAMP	2
25	2-720-010003	SPRING - COMPRESSION	2
26	5210	FITTING, GREASE 1/4-28 X 45	*8,4
27	3-720-010075	SPRING EXTENSION 7/8 X 6	1
28	BSL-6-4	RIVET, 3/16 AL X 1/4 GRIP LG	*8,4
29	3-443-010010	LATCH	*2,1
30	1-116-010019	BOX, MANUAL STORAGE	1
31	105-0093	HOSE CLAMP, 4-1/2	1
32	1-630-010021-01	RING, 1-1/2 RETAINING HD	12
33	1-647-010004221	PIN, SPRING SLOTTED 1/4 X 2	2
34	F-332-	MANUAL, MODEL 825A/835 OPERATOR'S	1
35	3-482-010307	MOUNT, ADJ STRIKER PLATE	*2,1
36	1-512-010007-03	NUT, HEX 10-24	*4,2
37	1-861-010034-07	WASHER, SPLIT LOCK #10	*4,2
38	1-656-010003051	SCREW, RD HEAD MACH #10-24 X 3/4	*4,2
39	1-861-010032-04	WASHER, FLAT 3/16	*4,2
40	110510	COVER INSTALLATION WINCH OPENING (USED IF NO WINCH) (INCL ITEMS 41-43)	1 1
	105098	WINCH INSTALLATION 12K (NOT SHOWN)(SEE PAGE 1-51)	1
	105099	WINCH INSTALLATION 20K (NOT SHOWN)(SEE PAGE 1-51)	4
41	1-512-010005-09	NUT, HEX LOCK 1/2-13 GRB	4
42	1-654-010055-03	SCREW, HEX HEAD CAP 1/2-13 X 1-1/2 GR5	4
43	107888	COVER, G/N WINCH OPENING	1
44	105257	COVER, TOOLBOX	1
45	1-654-010051-05	SCREW, HEX HEAD CAP 3/8-16 X 1 GR5	2
46	1-512-010005-05	NUT, HEX LOCK 3/8-16	2

* 1ST QUANTITY SHOWN IS FOR P/N 105294; 2ND QUANTITY SHOWN IS FOR P/N 120412.



m105190

Figure 1-3 Bed Installation (Trunnion and Gooseneck)

BED INSTALLATION (TRUNNION AND GOOSENECK)

ITEM	PART NO.	DESCRIPTION	QTY.
	105190	BED INSTALLATION ALUM. (825A) (ITEMS 1-4)	
	120675	TRUNNION COVER (835) (ITEMS 3, 5-11)	
1	1-654-010055-05	SCREW, HEX HEAD CAP 1/2-13 X 2 GR5	4
2	1-861-010032-14	WASHER, FLAT 1/2	4
3	1-861-010034-13	WASHER, SPLIT LOCK 1/2	*4,6
4	105193	BED WELDMENT	1
5	1-510-010001	NUT, FLANGE HEAD SERRATED 3/8-16	8
6	1-654-010051-07	SCREW, HEX HEAD CAP 3/8-16 X 1-1/2 GR5	10
7	1-654-010055-01	SCREW, HEX HEAD CAP 1/2-13 X 1 GR5	6
8	1-861-010032-11	WASHER, FLAT 3/8 W	18
9	1-861-010032-15	WASHER, FLAT 1/2W	6
10	114723	COVER, TROUGH 835 FRONT	1
11	114724	COVER, TRUNNION FORMED	1
* 1ST QUANTITY USED W/ P/N 105190; 2ND QUANTITY USED W/ P/N 120675			

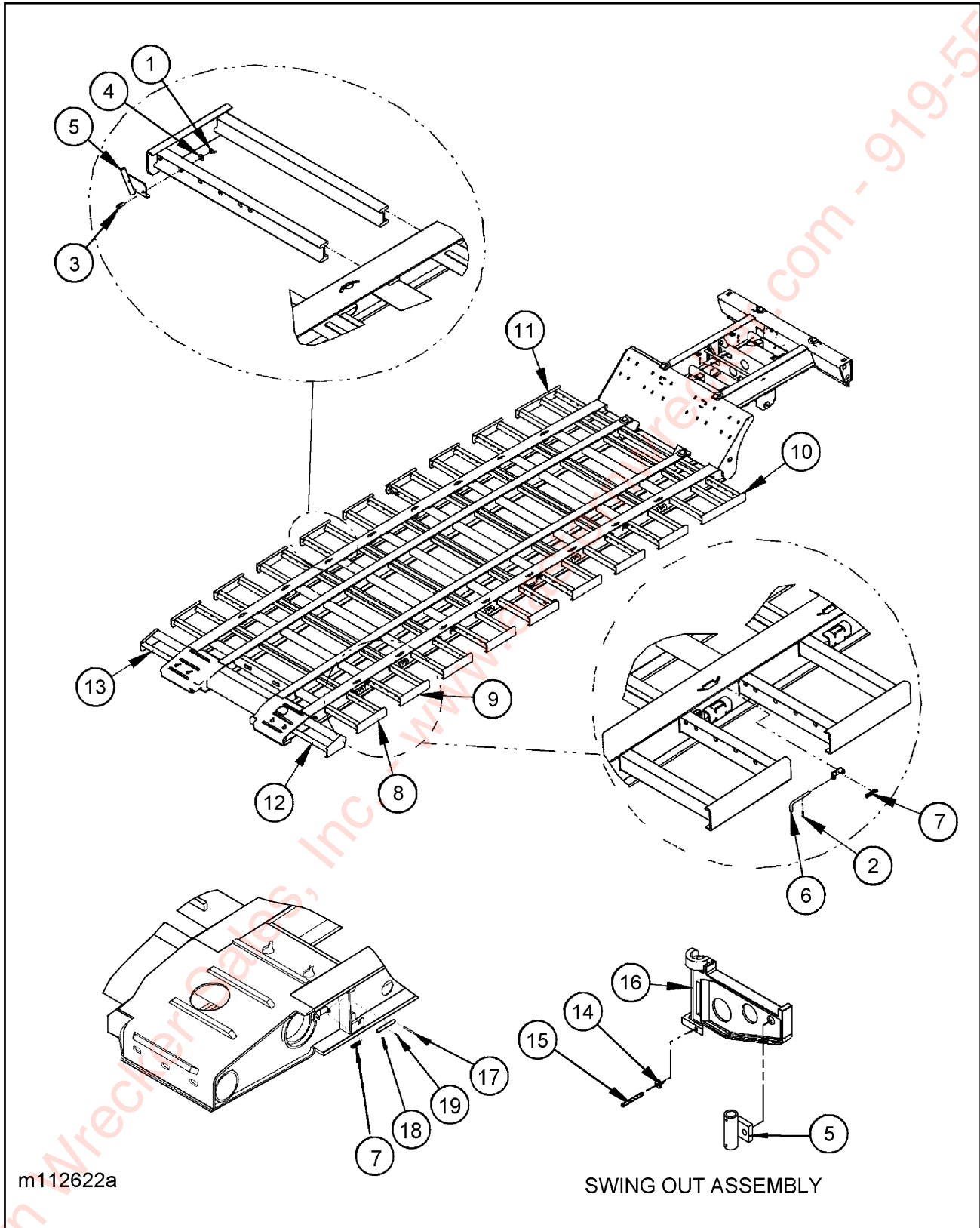


Figure 1-4 Pull and Swing Out Installations

PULL AND SWING OUT INSTALLATIONS

ITEM	PART NO.	DESCRIPTION	QTY.
	112622	PULL OUT INSTALLATION 825 - 28 (ITEMS 1-13)	
	112655	PULL OUT INSTALLATION 825 - 30 (ITEMS 1-9, 12-13)	
	120685	SWING-OUT O/R 835-27 (ITEMS 1, 3-5, 14-16)	
	120674	DETAIL TRAILER 835 STD ASSY (ITEMS 1,3-5,14-18)	
1	1-533-010001	NUT, WING 1/2-13	2
2	1-647-010004177	ROLL PIN, SLTD 3/16 X 1-1/2	20,22,2*
3	1-654-010055-03	SCREW HEX HEAD CAP 1/2-13 X 1-1/2 GR5 (825)	2
	1-654-010055-05	SCREW, HEX HEAD CAP 1/2-13 X 2 (835)	2
4	1-861-010032-15	WASHER FLAT 1/2W	2
5	108859	WLDMT, BRACKET FLAG HOLDER (825)	2
	114741	HOLDER, FLAG WELDMENT (835)	2
6	104252	PIN P/O EXT LOCK	20,22*
7	104253	SPRING, COMPRESSION P/O EXT LOCK	20,22,2*
8	112598	PULL OUT ASSEMBLY, RH	8,10*
9	112599	PULL OUT ASSEMBLY, LH	8,10*
10	112621	EXTENSION WLDMT P/O REAR RH 825-28	1
11	113026	EXTENSION WLDMT P/O REAR LH 825-28	1
12	113029	WELDMENT, PULL OUT EXT FRONT LH 825	1
	**114700	TUBE, PULLOUT FRONT 835	1
	**114701	STIFFENER PULLOUT FRONT 835	2
	**114702	PULLOUT, TOP FLANGE FRONT 835	1
	**114704	SIDE PULLOUT 835 LH	1
	**114730	TUBE, RD 5 OD X 1/4W X 24	1
13	113030	WELDMENT, PULL OUT EXT FRONT RH 825	1
	**114700	TUBE, PULLOUT FRONT 835	1
	**114701	STIFFENER PULLOUT FRONT 835	2
	**114702	PULLOUT, TOP FLANGE FRONT 835	1
	**114703	SIDE PULLOUT 835 RH	1
	**114730	TUBE, RD 5 OD X 1/4W X 24	1
14	1-512-010005-09	NUT, HEX LOCK 1/2-13 GRB	30
15	1-654-010070-13	SCREW, RD HEAD SQ NECK 1/2-13 X 4	30
16	167-0022	OUTRIGGER FOR 10 CHANNEL	30
17	1-647-010004225	ROLL PIN, SLOTTED 1/4 X 3	2
18	3-557-010375	PIN, SLIDE LOCK	2
19	1-647-010004117	ROLL PIN, SLOTTED 1/8 X1	2

* 1ST QTY IS FOR P/N 112622; 2ND QTY IS FOR P/N 112655; 3RD QTY IS FOR P/N 120674.

** FRONT PULLOUT FOR 835 IS IN PIECES FOR CUSTOMER TO WELD TO HAND FIT HIS TRAILER.

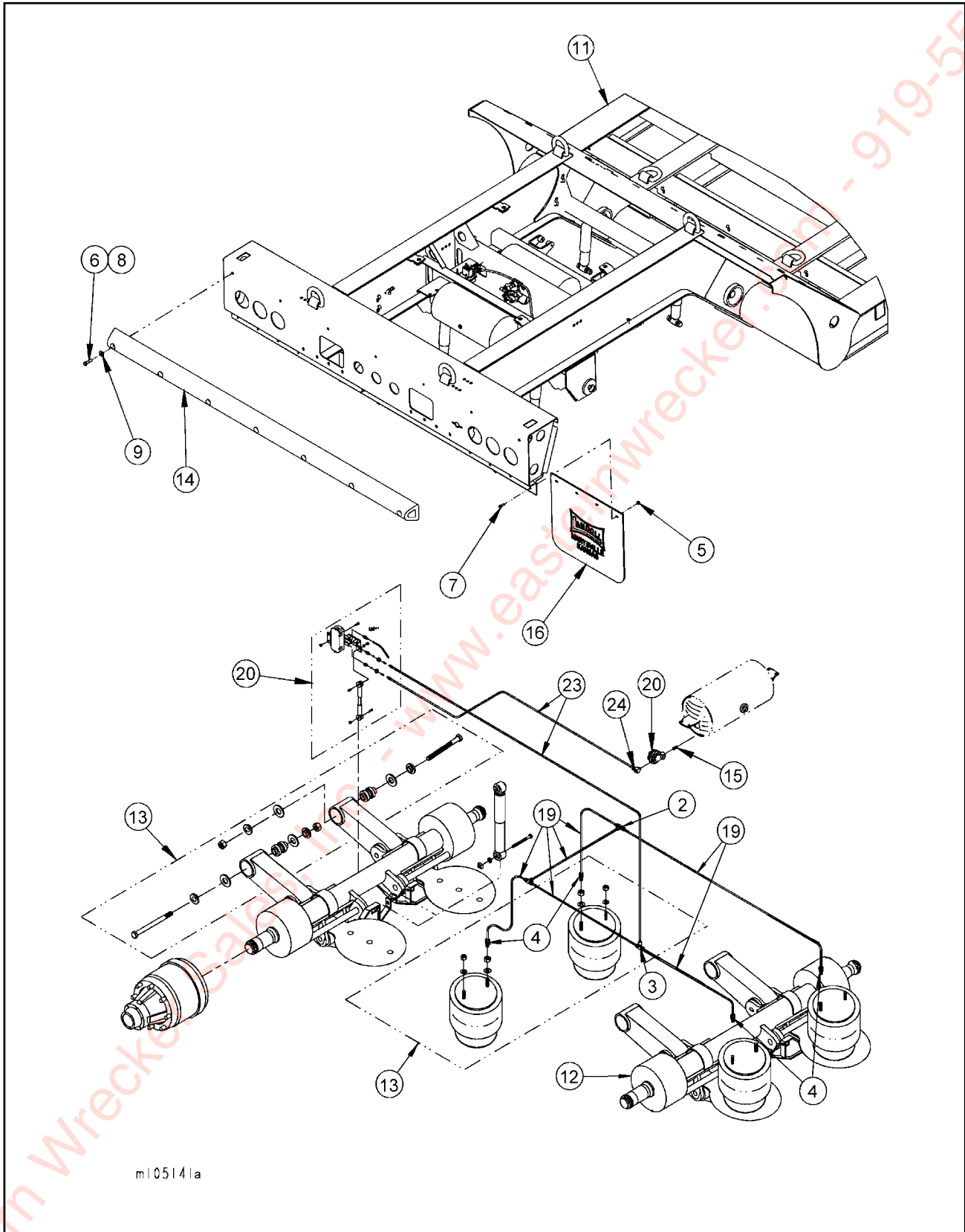


Figure 1-5 Frame Assembly - Air Ride Suspension (825A)

FRAME ASSEMBLY - AIR RIDE SUSPENSION (825A)

ITEM	PART NO.	DESCRIPTION	QTY.
	110756	FRAME ASSEMBLY 825-28TANDEM	
	110757	FRAME ASSEMBLY 825-28 BVR-TAIL	
	110759	FRAME ASSEMBLY 825-30 TANDEM	
2	1-297-010010-03	FITTING, AIR UNION TEE	2
3	1-297-010010-04	FITTING, AIR UNION TEE	1
4	1-297-010013-11	FITTING, AIR 45 EL	4
5	1-510-010001	NUT, FLANGE HEAD SERR 3/8-16	12
6	1-512-010005-09	NUT, HEX LOCK 1/2-13 GRB	7
7	1-654-010051-06	SCREW, HEX HEAD CAP 3/8-16 X 1-1/4 GR5	8
8	1-654-010055-05	SCREW, HEX HEAD CAP 1/2-13 X 2 GR5	7
9	1-861-010032-15	WASHER, FLAT 1/2W	7
11	110743	FRAME WELDMENT 825-28 W/ RLU	1
	110744	FRAME WELDMENT 825-30 W/ RLU	1
	110745	FRAME WELDMENT 825-28 W/ BVR-TAIL	1
12	115752	AXLE WELDMENT 2516 SPG 79 FRT	1
	115754	AXLE WELDMENT 2516 SPG 79 825 FRT	1
	115756	AXLE WELDMENT 2516 SPG 79 327 CTR	
	115757	AXLE WELDMENT 2516 SER 79 REAR (FOR AXLE WELDMENT BREAKDOWNS, SEE PAGE 1-31)	
13	110618	SUSPENSION FASTENER, RLU 250-9-4 (SEE PAGE 1-27)	1
	110622	SUSPENSION FASTENER, RLU 250 FMT(SEE PAGE 1-29)	1
14	106611	BUMPER REAR TRAILER	1
15	2083-8-4S	NIPPLE 1/4 X 1/2	1
16	3-485-010001	MUD FLAP 21"	2
19	1-833-010002	TUBING, NYLON 3/8	AR
20	102732	AIR CONTROL KIT (SEE PAGE 1-33)	1
23	1-833-010001	TUBING, NYLON 1/4	AR
24	1-297-010008-07	FITTING, AIR 90	1

NOTE: SEE PAGES 1-37 AND 1-41 FOR AIR BRAKE SYSTEM.

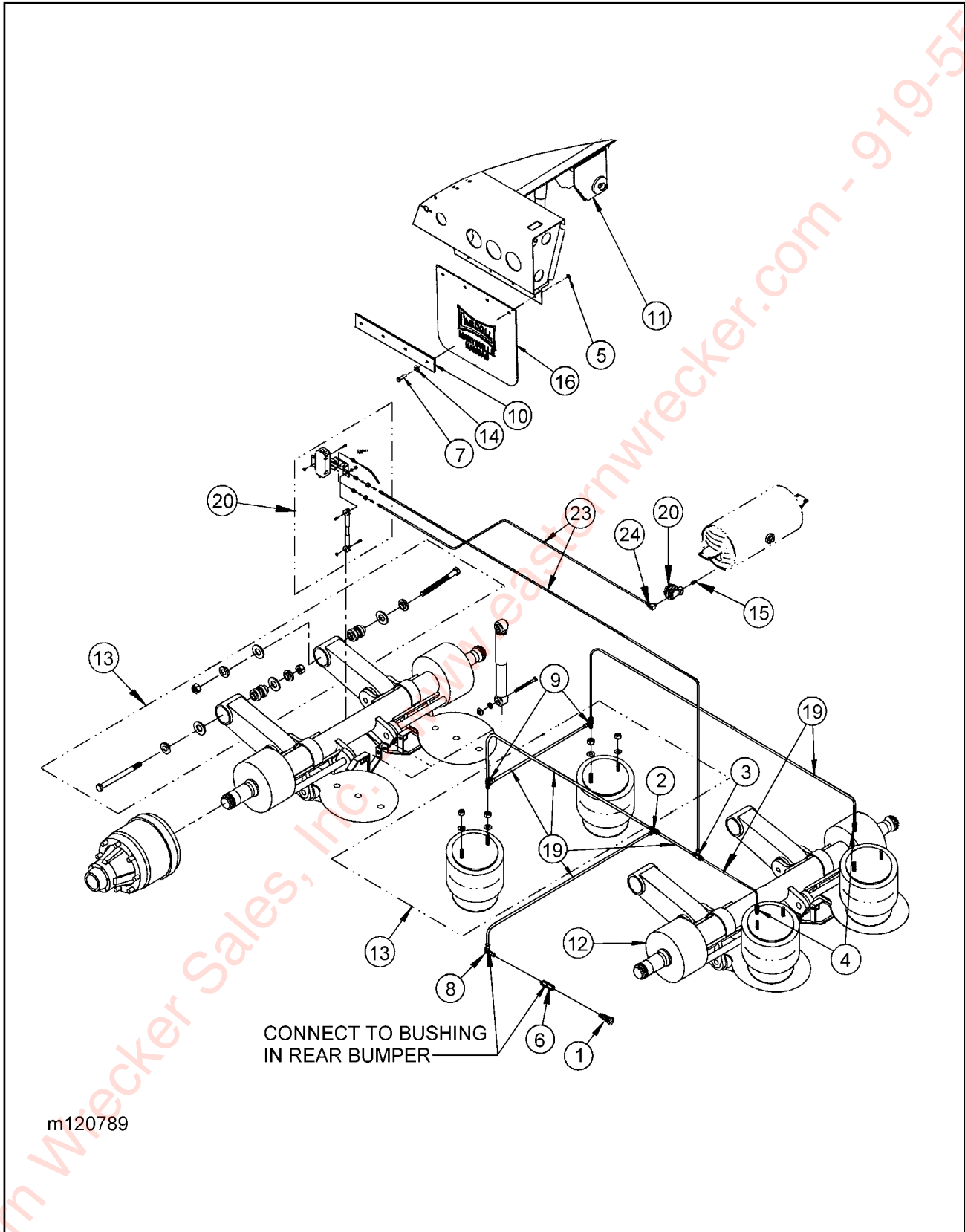


Figure 1-6 Frame Assembly - Air Ride Suspension (835)

FRAME ASSEMBLY - AIR RIDE SUSPENSION (835)

ITEM	PART NO.	DESCRIPTION	QTY.
	120789	FRAME ASSEMBLY 835	
	114743	FRAME ASSEMBLY 835	
	120674	DETAIL TRAILER 835 ASSEMBLY	
	120665	AIR RIDE SUSPENSION ASSEMBLY 835	
1	3-220-010004	COUPLER, AIR FEMALE	1
2	1-297-010010-03	FITTING, AIR UNION TEE	1
3	1-297-010010-04	FITTING, AIR UNION TEE	1
4	1-297-010013-11	FITTING, AIR 45 EL	2
5	1-510-010001	NUT, FLANGE HEAD SERR 3/8-16	8
6	2083-6-6S	ADAPTER, HYD NIPPLE	1
7	1-654-010051-07	SCREW, HEX HEAD CAP 3/8-16 X 1-1/2 GR5	8
8	1-297-010013-12	FITTING, AIR 45	1
9	1-297-010011-04	FITTING, AIR TEE	2
10	3-762-010017	CLAMP, MUD FLAP	2
11	114645	FRAME WELDMENT 835-27' BED	1
12	115752	AXLE WELDMENT 2516 SPG 79 FRT	1
	115756	AXLE WELDMENT 2516 SPG 79 327 CTR (FOR AXLE WELDMENT BREAKDOWNS, SEE PAGE 1-31)	1
13	110618	SUSPENSION FASTENER, RLU 250-9-4 (SEE PAGE 1-27)	1
	110622	SUSPENSION FASTENER, RLU 250 FMT(SEE PAGE 1-29)	1
14	1-861-010032-11	WASHER, FLAT 3/8W	8
15	2083-8-4S	NIPPLE 3/4 X 1/2	1
16	3-485-010001	MUD FLAP 21"	2
19	1-833-010002	TUBING, NYLON 3/8	AR
20	102732	AIR CONTROL KIT (SEE PAGE 1-33)	1
23	1-833-010001	TUBING, NYLON 1/4	AR
24	1-297-010008-07	FITTING, AIR 90	1

NOTE: SEE PAGES 1-37 AND 1-41 FOR AIR BRAKE SYSTEM.

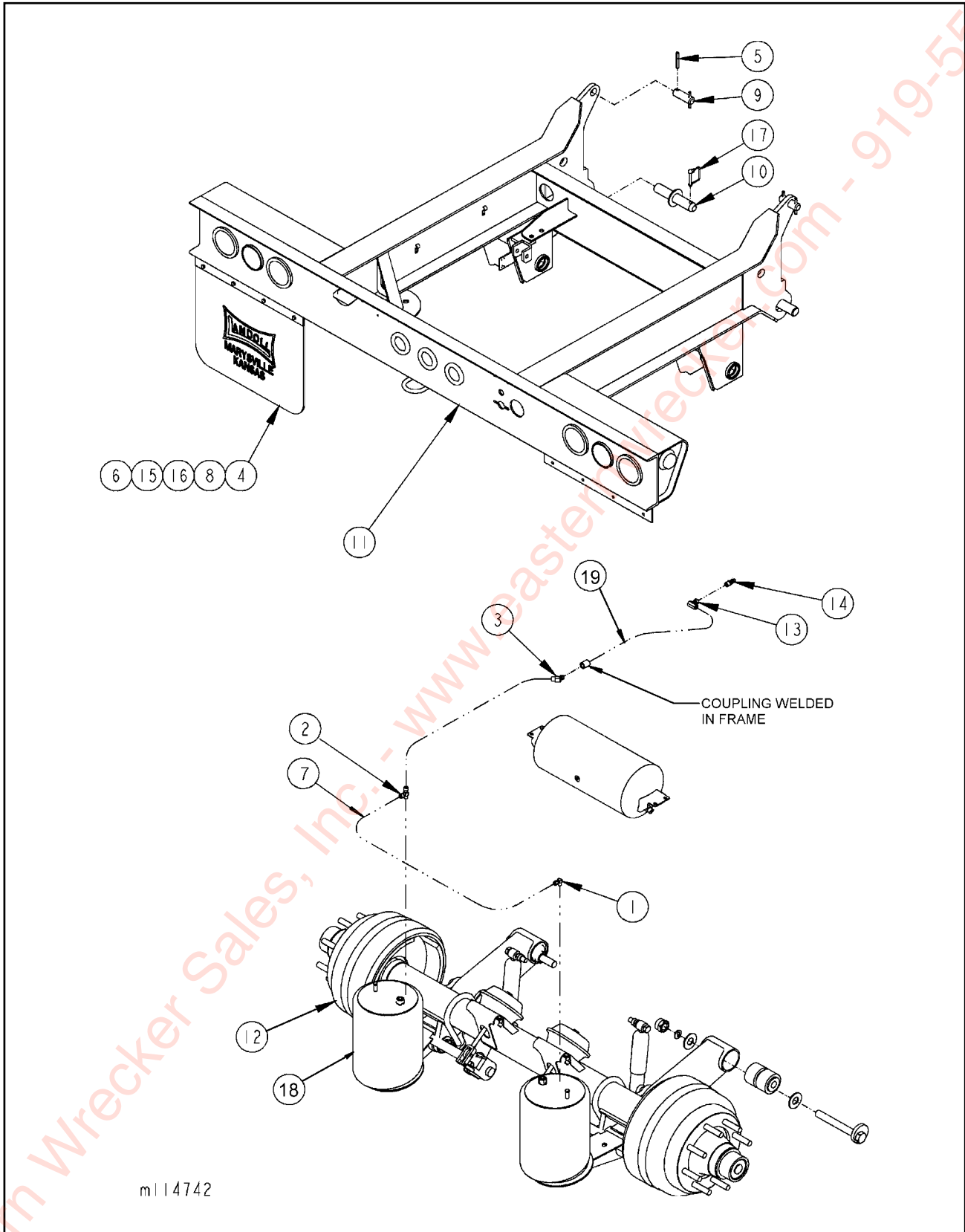


Figure 1-7 Flip Assembly - Air Ride Suspension

FLIP ASSEMBLY - AIR RIDE SUSPENSION

ITEM	PART NO.	DESCRIPTION	QTY.
	114742	FLIP ASSEMBLY 835-60 SPREAD	
	119046	FLIP ASSEMBLY 835-72 SPREAD	
1	1-297-010008-18	FITTING, AIR 90	1
2	1-297-010011-04	FITTING AIR M/RUN TEE	1
3	1-297-010013-12	FITTING, AIR 45	1
4	1-512-010005-05	NUT, HEX LOCK 3/8-16 GRB	8
5	1-647-010004259	SPRING PIN, SLOTTED 3/8 X 3	4
6	1-654-010051-07	SCREW, HEX HEAD CAP 3/8-16 X 1-1/2	8
7	1-833-010002	TUBING, NYLON 3/8	AR
8	1-861-010032-11	WASHER, FLAT 3/8W	8
9	114652	PIN, FLIP 835	2
10	114712	PIN WELDMENT FLIP LOWER	2
11	114726	FLIP WELDMENT 835-60	1
	119047	FLIP WELDMENT 72 SPREAD	1
12	115757	AXLE WELDMENT 2516 SER 79 REAR (FOR AXLE WELDMENT BREAKDOWN, SEE PAGE 1-31)	1
13	118-2650-6	SWIVEL 90	1
14	3-220-010005	COUPLER AIR MALE	1
15	3-485-010001	MUD FLAP 21"	2
16	3-762-010017	CLAMP MUD FLAP	2
17	516-22PTL	RETAINING PIN MUD FLAP	2
18	110618	SUSPENSION FASTENER RLU250-9-4 (SEE PAGE 1-27)	1
19	1-384-010038024	HOSE, AIR 3/8 X 24 (60)	1
	1-384-010038038	HOSE, AIR 3/8 X 38 (72)	1

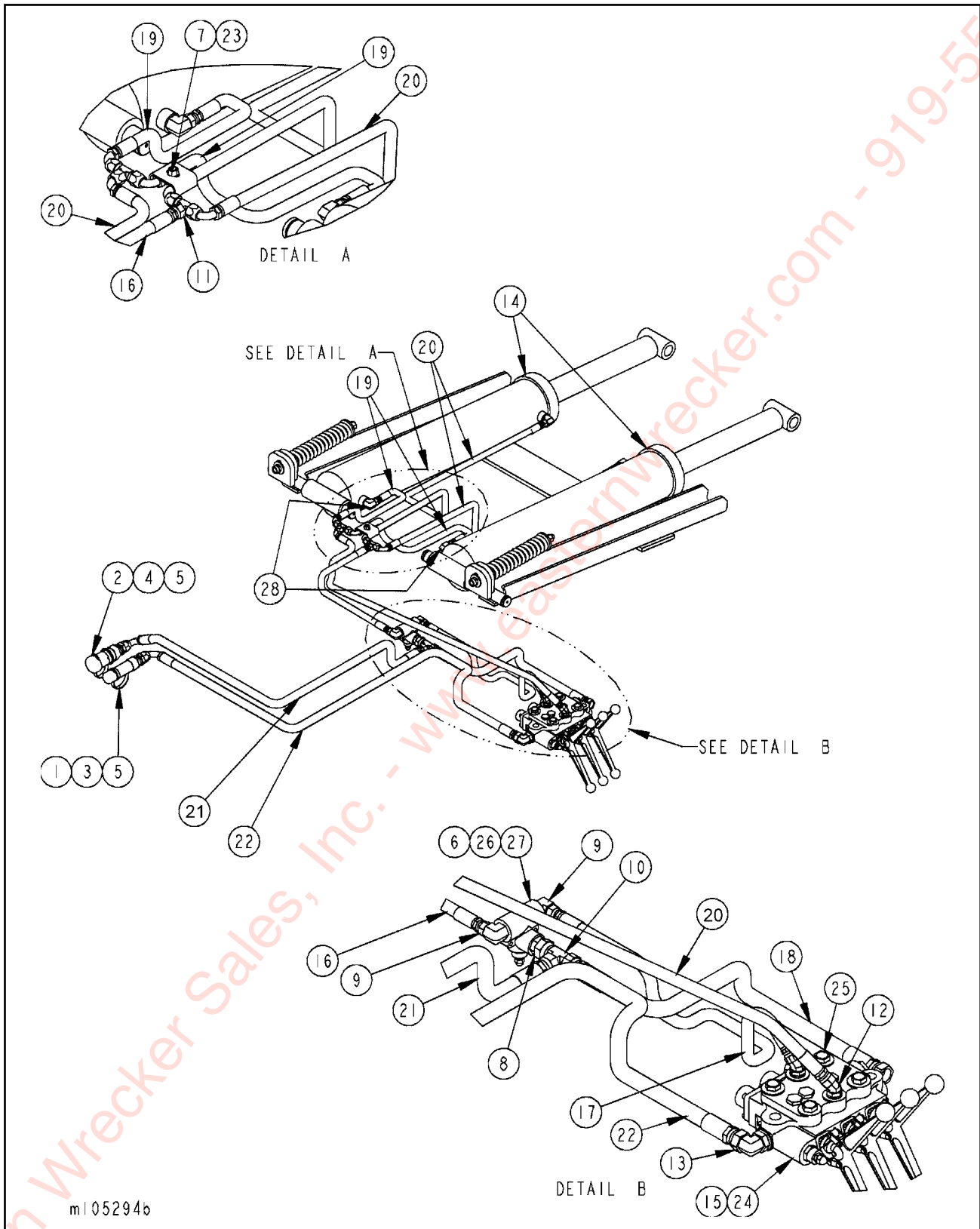


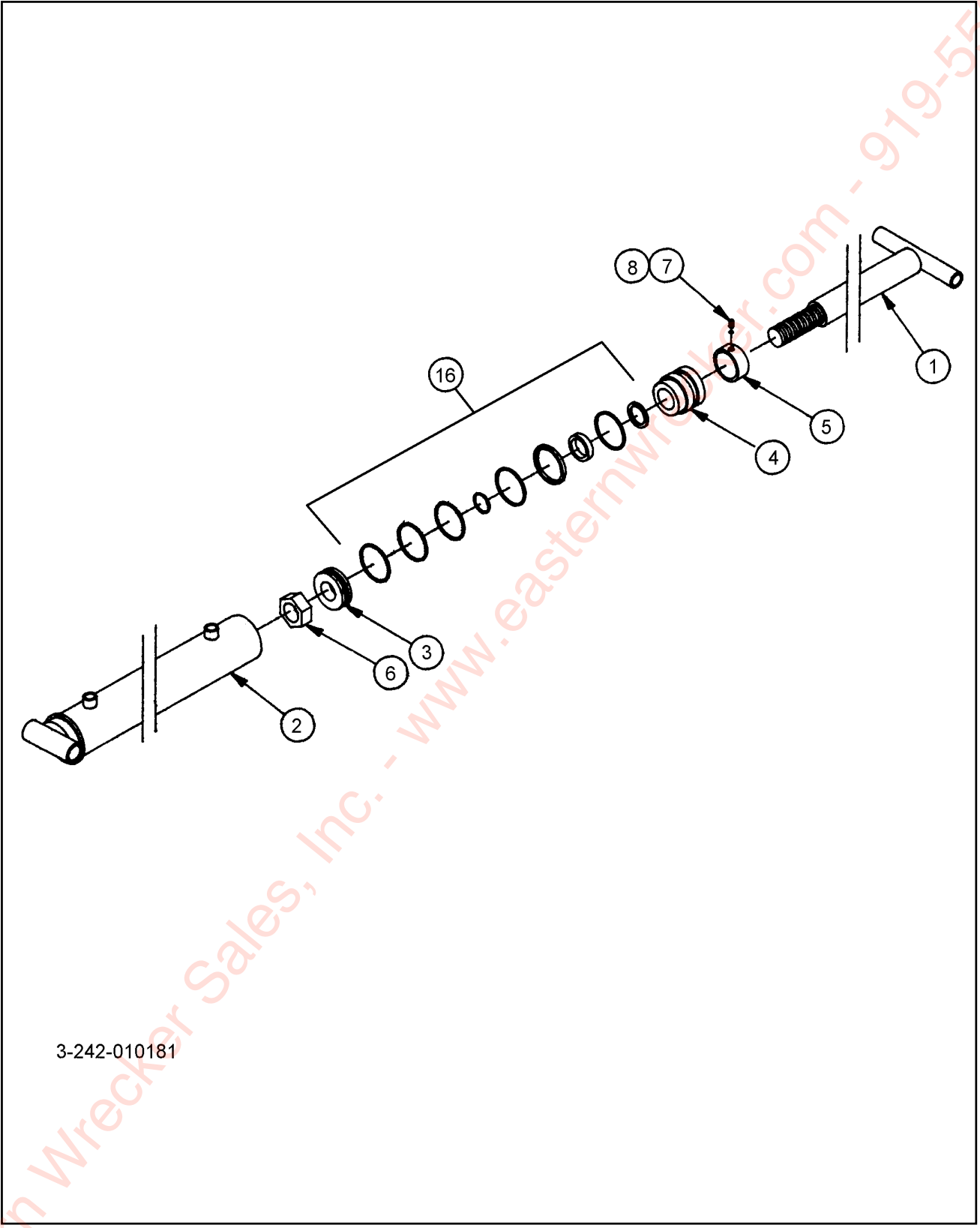
Figure 1-8 Hydraulic System (825A)

HYDRAULIC SYSTEM (825A)

ITEM	PART NO.	DESCRIPTION	QTY.
	105294	GOOSENECK ASSEMBLY	
1	105479	COUPLER FLAT FACE MALE NOSE	1
2	105480	COUPLER FLAT FACE FEMALE BODY	1
3	105481	COUPLER DUST CAP MALE	1
4	105482	COUPLER DUST CAP FEMALE	1
5	105483	ADAPTER BULKHEAD	2
6	106908	VALVE, HYDRAULIC PRESSURE RELIEF	1
7	2-181-010001	HOSE CLAMP	1
8	2021-12-12S	ADAPTER	1
9	2024-12-8S	ELBOW 90	6
10	203102-12-12S	ADAPTER TEE SWIVEL	1
11	2033-8-8S	ADAPTER TEE	2
12	2061-8-8S	ADAPTER 45	2
13	2062-12-12S	ADAPTER, 90	2
14	3-242-010183	CYLINDER HYDRAULIC 6 X 30 WLDMT (SEE PAGE 1-19)	2
15	3-846-010008	VALVE 3 SPOOL 2500 PSI (SEE PAGE 1-21)	1
16	1-397-010301018	HOSE ASSEMBLY 1/2 X 18	1
17	1-397-010301024	HOSE ASSEMBLY 1/2 X 24	1
18	1-397-010304025	HOSE ASSEMBLY 3/4 X 25	1
19	105274	HOSE ASSEMBLY 1/2 X 34	2
20	105275	HOSE ASSEMBLY 1/2 X 45	3
21	105276	HOSE ASSEMBLY 3/4 X 52	1
22	105277	HOSE ASSEMBLY 3/4 X 78	1
23	1-510-010001	NUT, FLANGE HEAD SERRATED 3/8-16	10
24	1-654-010051-09	SCREW, HEX HEAD CAP 3/8-16 X 2 GR5	3
25	1-007-010025	PLUG, O-RING 3/4-16	4
26	1-512-010005-01	NUT, HEX LOCK 1/4-20	2
27	1-654-010047-10	SCREW, HEX HEAD CAP 1/4-20 X 2 GR5	2
28	3-846-010156	VALVE RESTRICTOR (USED W/ ENG PKG HYD ONLY)	2

HYDRAULIC SYSTEM (835)

ITEM	PART NO.	DESCRIPTION	QTY.
	120412	GOOSENECK ASSEMBLY 835-12	
1	1-007-010025	PLUG, O-RING 3/4-16	4
2	1-397-010301054	HOSE ASSEMBLY 1/2 X 54	1
3	1-397-010302078	HOSE ASSEMBLY 1/2 X 78	1
4	1-397-010304025	HOSE ASSEMBLY 3/4 X 25	1
5	1-397-010305060	HOSE ASSEMBLY 3/4 X 60	1
6	1-510-010001	NUT, FLANGE HEAD SERRATED 3/8-16	3
7	1-512-010005-01	NUT, HEX LOCK 1/4-20	2
8	1-654-010047-10	SCREW, HEX HEAD CAP 1/4-20 X 2 GR5	2
9	1-654-010051-09	SCREW, HEX HEAD CAP 3/8-16 X 2 GR5	3
10	105274	HOSE ASSEMBLY 1/2 X 34	2
11	105275	HOSE ASSEMBLY 1/2 X 45	2
12	105479	COUPLER FLAT FACE MALE NOSE	1
13	105480	COUPLER FLAT FACE FEMALE BODY	1
14	105481	COUPLER DUST CAP MALE	1
15	105482	COUPLER DUST CAP FEMALE	1
16	105483	ADAPTER BULKHEAD	2
17	106908	VALVE, HYDRAULIC PRESSURE RELIEF	1
18	112813	HOSE ASSEMBLY 3/4 X 38	1
19	2021-12-12S	ADAPTER	1
20	2024-12-8S	ELBOW 90	6
21	203102-12-12S	ADAPTER TEE SWIVEL	1
22	2033-8-8S	ADAPTER TEE	2
23	2061-8-8S	ADAPTER 45	2
24	2062-12-12S	ADAPTER, 90	2
25	3-242-010183	CYLINDER HYDRAULIC 6 X 30 WLDMT (SEE PAGE 1-19)	2
26	3-846-010008	VALVE 3 SPOOL 2500 PSI (SEE PAGE 1-21)	1
27	2-181-010001	HOSE CLAMP	1
28	3-846-010156	VALVE RESTRICTOR (USED W/ ENG PKG HYD ONLY) (NOT SHOWN)	2
29	1-397-010301024	HOSE ASSEMBLY 1/2 X 24	1
30	1-861-010059-21	WASHER, LOCKING INT. TOOTH 1-1/8	2



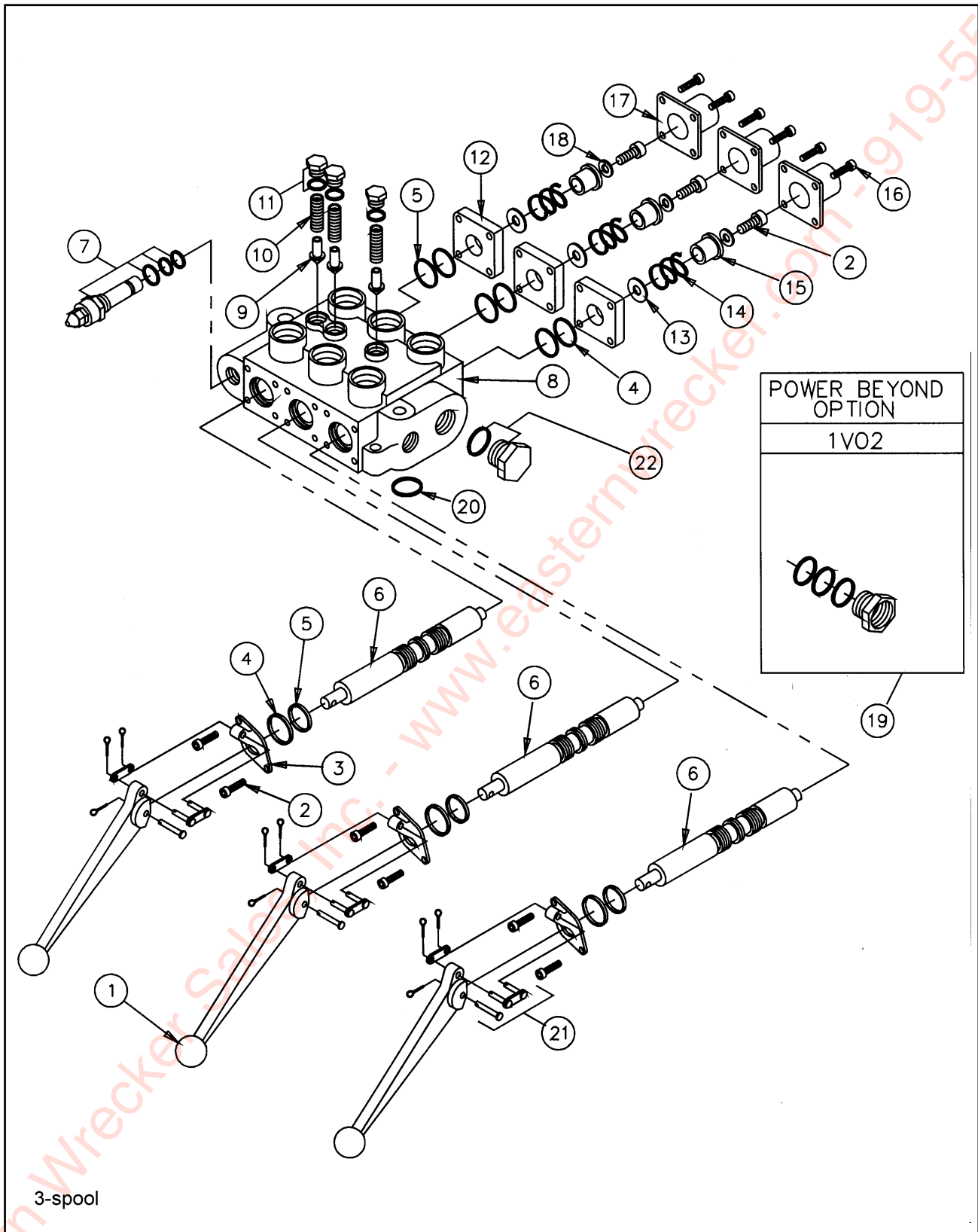
3-242-010181

Figure 1-10 Cylinder 6 X 30

CYLINDER 6 X 30

ITEM	PART NO.	DESCRIPTION	QTY.
	3-242-010183	CYLINDER HYDRAULIC 6 X 30	
1	021500077	PISTON ROD ASSEMBLY	1
2	062300414	BUTT AND TUBE ASSEMBLY	1
3	072300150	PISTON	1
4	082300208	GLAND	1
5	262300011	GLAND CUP	1
6	223333218	NUT, LOCK	1
7	223333701	SET SCREW	1
8	220000853	NYLON LOCK	1
9*	----	O-RING	1
10*	----	O-RING	1
11*	----	BU-WASHER	1
12*	----	CROWN SEAL	1
13*	----	BEARING RING	1
14*	----	U-CUP	1
15*	----	WIPER	1
16	PMCK-22000	PACKING KIT (CONTAINS ITEMS 9 THRU 15)	

* PARTS AVAILABLE IN PACKING KIT ONLY.



3-spool

Figure 1-11 Three Spool Valve

THREE SPOOL VALVE

ITEM	PART NO.	DESCRIPTION	QTY.
	3-846-010008	VALVE ASSEMBLY, COMPLETE THREE SPOOL	
1	1V1703	VALVE HANDLE	3
2	2A0079-404	CAP SCREW (TIGHTEN TO 7-11 FT. LBS)	9
3	4Z4306	BRACKET HANDLE	3
4	1A0711	WASHER O-RING SPOOL	6
5	2A0293-7214	SEAL SPOOL	6
6	*	*SPOOL 4-WAY	3
7	1R0017	RELIEF ASSEMBLY (1500-3000 PSI) (PRESET @2500 PSI)	1
8	*	HOUSING VALVE	1
9	1V0081	POPPET LOAD CHECK	3
10	1A0757	SPRING LOAD CHECK	3
11	1V1725	PLUG LOAD CHECK	3
12	1A0709	SPACER END	3
13	1A0291	WASHER STOP	3
14	1A0744	SPRING CENTERING	3
15	1A0292	COLLAR STOP	3
16	2A0079-406	CAPSCREW (TIGHTEN TO 7-11 FT. LBS)	12
17	1A0294	CAP END	3
18	1A0290	WASHER CENTERING SPRING	3
19	1V0208	ADAPTER ASSEMBLY REMOTE POWER BEYOND (CONTAINS ALL NECESSARY O-RINGS)	1
20	2A293-7214	GROMMET RUBBER (BOTTOM OUTLET)	1
21	1V1701	PIN KIT	3
22	2A0354-121	PLUG CONVERSION	1
	2V0010	SEAL KIT	1

* SOLD AS MATCHED SET ONLY.

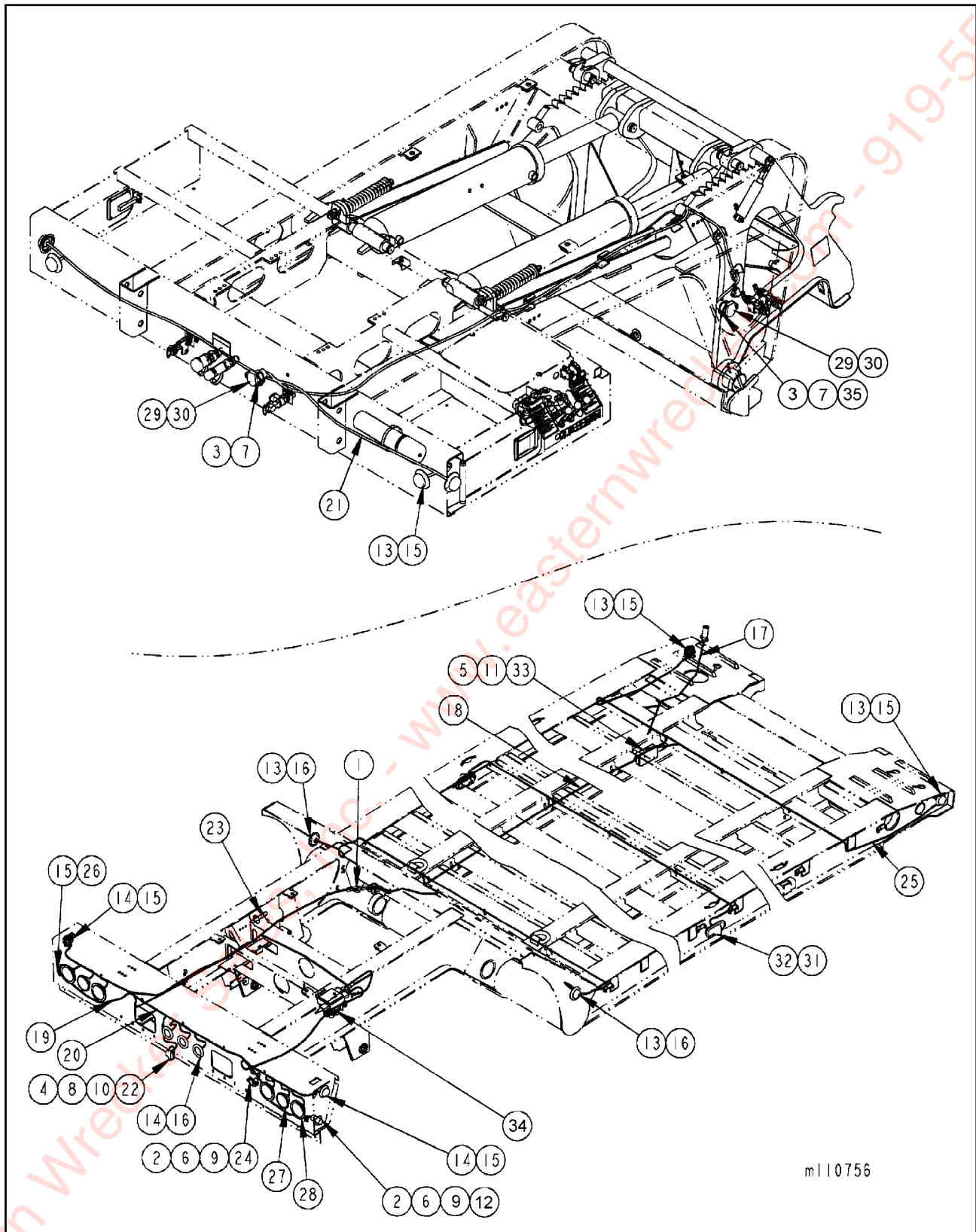


Figure 1-12 Electrical System

ELECTRICAL SYSTEM

ITEM	PART NO.	DESCRIPTION	QTY.
1	3-395-010001	CF FIRE HOSE (PRIOR 10/99)	1
2	1-512-010005-01	NUT, HEX LOCK 1/4-20 GRB	4
3	1-512-010005-03	NUT, HEX LOCK 5/16-18 GRB	4
4	1-512-010007-03	NUT HEX 10-24	2
5	1-512-010007-05	NUT, HEX 1/4-20	2
6	1-654-010047-06	SCREW, HEX HEAD CAP 1/4-20 X 1 GR5	4
7	1-654-010049-06	SCREW, HEX HEAD CAP 5/16-18 X 1-1/4 GR5	4
8	1-656-010003051	SCREW ROUND HEAD MACHINE 10-24 X 3/4	2
9	1-861-010032-07	WASHER FLAT 1/4	2
10	1-861-010034-07	WASHER SPLIT LOCK NO. 10	2
11	1-861-010034-09	WASHER SPLIT LOCK 1/4	2
12	101852	DIAGNOSTIC CABLE W/ SWITCH (PRIOR 02/01)	1
	114590	DIAGNOSTIC CABLE (AFTER 02/01)	1
13	10205Y	REFLECTOR LAMP YELLOW	8
	111923	LIGHT, YELLOW LED CLEARANCE	8
14	10205R	REFLECTOR LAMP RED	5
	111922	LIGHT, RED LED CLEARANCE	5
15	10403	GROMMET MOUNT	7
16	10404	GROMMET MOUNT 3"	5
17	104142	CABLE ASSEMBLY, DECK TO G/N	1
18	104143	HARNESS CENTER TURN, ABS	1
19	104150	HARNESS, ABS POWER	1
20	106652	HARNESS BUMPER	1
21	106653	HARNESS FRONT G/N	1
22	15009	LICENSE LAMP (COMPLETE)	1
23	3-201-010002	CONDUIT 3/8 PLASTIC FLEX	8
24	3-272-010003	4 POLE ELECTRICAL FEMALE CONNECTOR	1
25	3-368-010057	WIRE HARNESS, FRONT MAIN DECK	1
26	3-446-010046	LIGHT, ABS LAMP AMBER	1
27	40001Y	LIGHT, TURN SIGNAL AMBER	2
	120650	LIGHT, LED REAR TURN YELLOW	2
28	40002R	TAIL LAMP 4"	4
	111926	LIGHT, LED STOP-TURN MARKER YELLOW	4
29	59S-7	RECEPTACLE 7 PIN	2
30	59W-2-3	RUBBER BOOT	2
31	60215Y	LAMP TRAILER CENTER TURN INDICATOR	2
32	60700	GROMMET TRUCK-LITE LIGHT	2
33	750-029	JUNCTION BOX 7 STUD	1
34	101845	ECU/VALVE ASSEMBLY (PRIOR 02/01)	1
	114588	ECU/VALVE ASSEMBLY (AFTER 02/01)	1
35	1-861-010032-09	WASHER, FLAT 5/16W	8

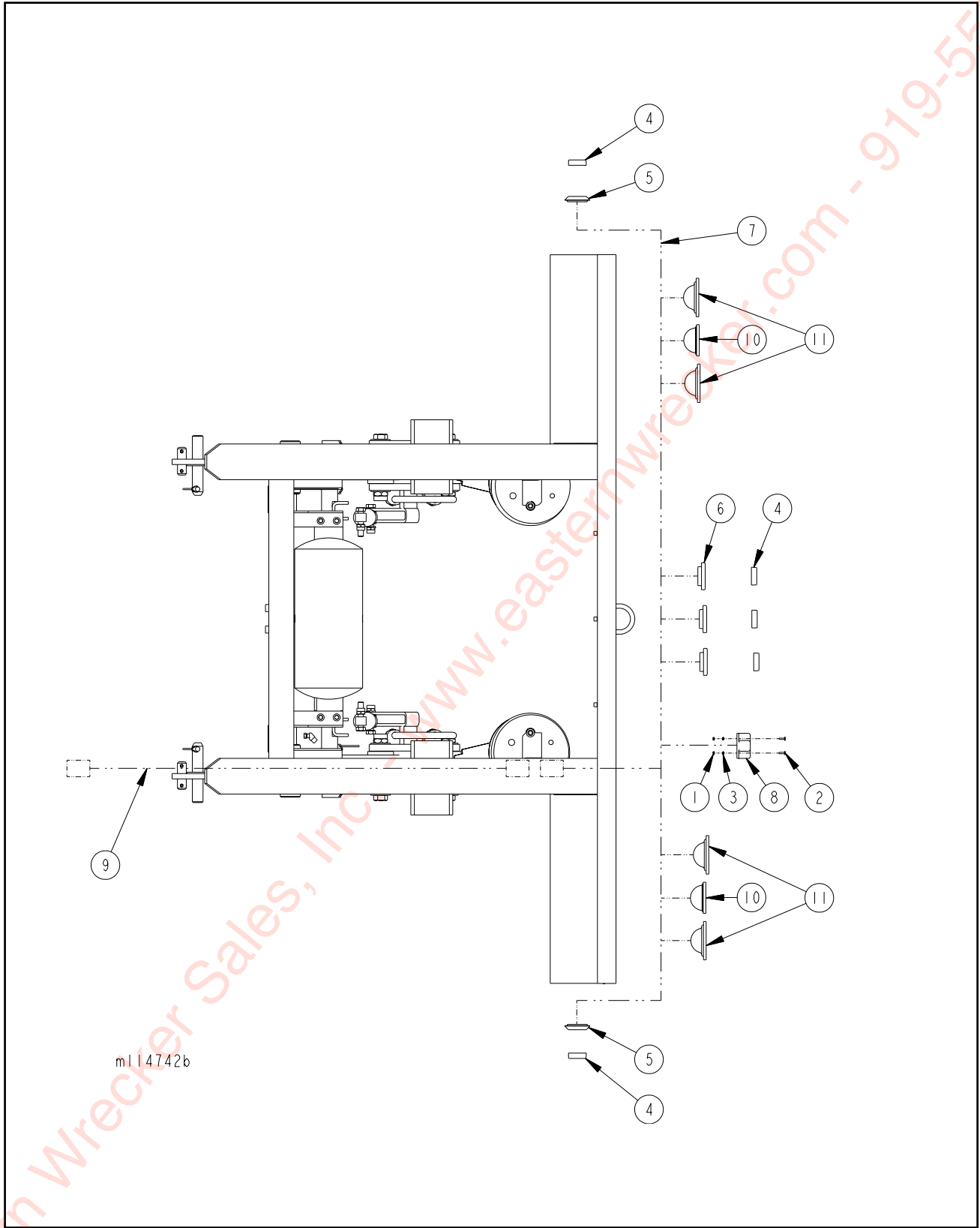


Figure 1-13 Flip Axle Electrical System (835)

FLIP AXLE ELECTRICAL SYSTEM (835)

ITEM	PART NO.	DESCRIPTION	QTY
	114742	FLIP ASSY 835-60 SPREAD	
	119046	FLIP ASSY 835-72 SPREAD	
1	1-512-010007-03	NUT, HEX #10-24	2
2	1-656-010003051	SCREW, RD HEAD SQ NECK #10-24 X 3/4	2
3	1-861-010034-07	WASHER, SPLIT LOCK #10	2
4	10205R	REFLECTOR LAMP RED	5
5	10403	GROMMET MOUNT	2
6	10404	3" GROMMET MOUNT	3
7	106652	HARNESS, BUMPER	1
8	15009	LICENSE LAMP	1
9	3-368-010069	WIRE HARNESS, EXT FLIP AXLE	1
10	40001Y	LIGHT, AMBER TURN SIGNAL	2
11	40002R	LIGHT 4" STOP TURN TAIL	4
12	3-201-010002	CONDUIT, PLASTIC FLEX (NOT SHOWN)	AR
13	3-395-010001	FIRE HOSE (NOT SHOWN)	AR

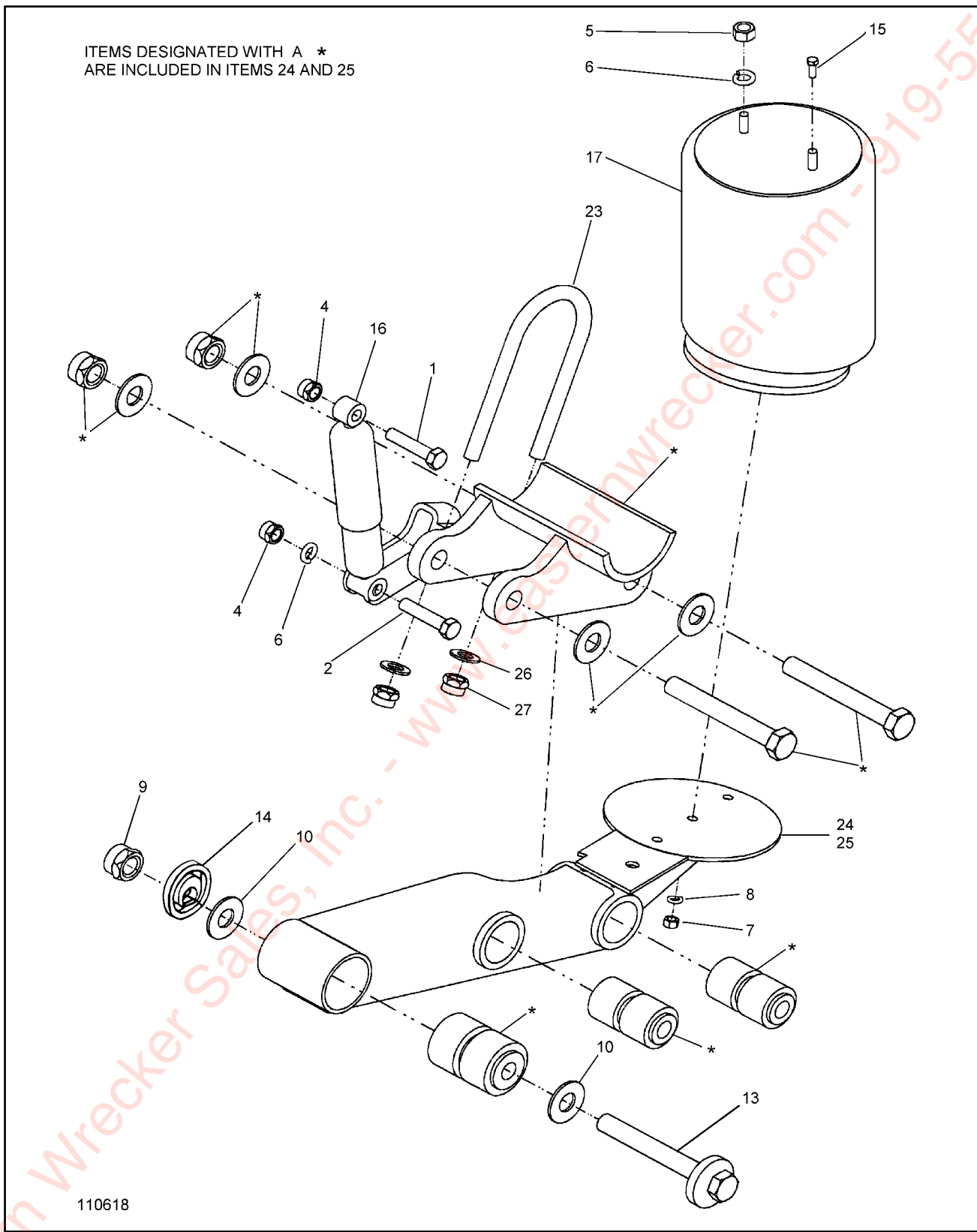
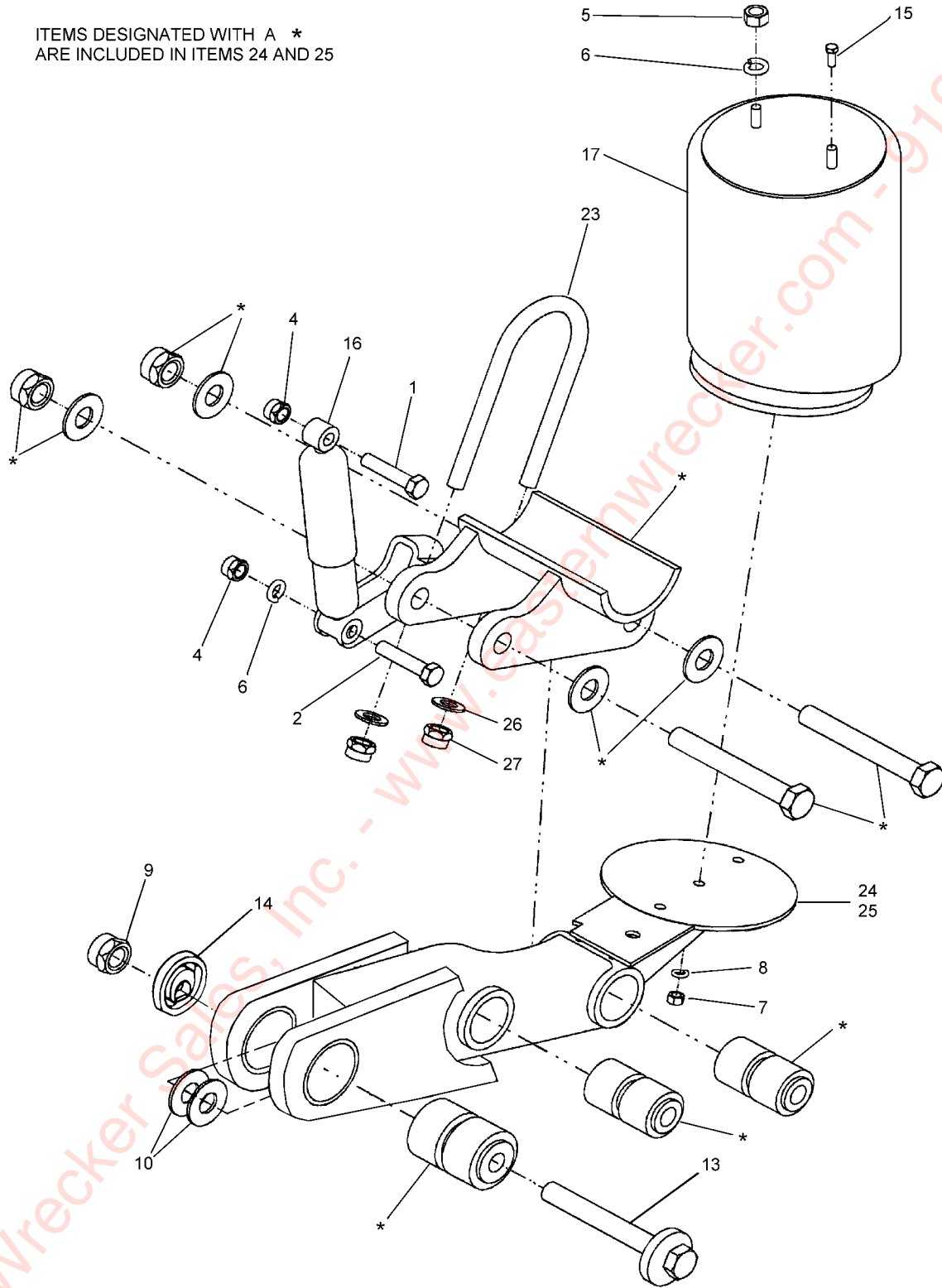


Figure 1-14 Suspension, Fastener RLU-250-9-4

SUSPENSION HANGER RLU 250-9-4

ITEM	PART NO.	DESCRIPTION	QTY
	110618	SUSPENSION, FASTENER RLU 250-9-4	
	110616	SUSPENSION, BEAM RLU 250-9-4 (ITEMS 23-28)	
1	105408	SCREW HEX HEAD CAP 3/4-10 X 3-1/2(UPR SHK BRKT)	2
2	1-654-010061-13	SCREW HEX HEAD CAP 3/4-10 X 4 GR5(LWR SHK BRKT)	2
4	1-512-010005-15	NUT, HEX LOCK 3/4-10 GRB (UPR/LWR SHCK BRACKET)	4
5	934-00-149	NUT, HEX .75-16 GRB (UPPER AIR SPRING)	2
6	936-00-077	WASHER LOCK .78 (UPPER AIR SPRING)	2
7	1-512-010007-09	NUT, HEX 1/2-13 GRB (LOWER AIR SPRING)	2
8	1-861-010034-13	WASHER, SPLIT LOCK 1/2 (LOWER AIR SPRING)	2
9	934-00-506	NUT, HEX LOCK 1-1/8-7 GRC (FRAME BRACKET)	2
10	111010	WASHER, FLAT 1.141	4
13	905-08-019	ALIGNMENT BLOCK ASSEMBLY (FRAME BRACKET)	2
14	905-08-238	ALIGNMENT BLOCK NON-WELD (FRAME BRACKET)	2
15	1-654-010051-05	SCREW, HEX HEAD CAP 3/8-16 X 1 GR5 (UPR AIR SPG)	2
16	900-44-162	SHOCK	2
17	111036	AIR SPRING	2
19	941-00-684	LITERATURE SPECIFICATIONS NS-65-84 (NOT SHOWN)	1
20	941-00-685	LITERATURE SPECIFICATIONS NS-65-78 (NOT SHOWN)	1
21	941-00-648	LITERATURE FORM 684 (NOT SHOWN)	1
22	941-00-590	LITERATURE LABEL (NOT SHOWN)	1
23	111033	U-BOLT .875-9 X 11 GR8	2
24	111030	BEAM EQUALIZING ASSY W/ AXLE ADAPTER RH	1
25	111031	BEAM EQUALIZING ASSY W/ AXLE ADAPTER LH	1
26	936-00-162	WASHER FLAT .88	4
27	934-00-498	NUT, HEX LOCK .875-9 GRC	4
28	941-00-832	LITERATURE AXLE WELDING (NOT SHOWN)	1
	110-05-099	FASTENER KIT (INCL. ITEMS 1-22)	1

ITEMS DESIGNATED WITH A *
ARE INCLUDED IN ITEMS 24 AND 25



110622

Figure 1-15 Suspension Fastener, AR-80-9 FMT

SUSPENSION HANGER RLU 250 FMT

ITEM	PART NO.	DESCRIPTION	QTY
	110622	SUSPENSION, FASTENER RLU 250 FMT	
	110620	SUSPENSION, BEAM RLU 250 FMT (INCL ITEMS 23-28)	
1	105408	SCREW HEX HEAD CAP 3/4-10 X 3-1/2(UPR SHK BRKT)	2
2	1-654-010061-13	SCREW HEX HEAD CAP 3/4-10 X 4 GR5(LWR SHK BRKT)	2
4	1-512-010005-15	NUT, HEX LOCK .75-10 GRB (UPR/LWR SHCK BRACKET)	4
5	934-00-149	NUT, HEX .75-16 GRB (UPPER AIR SPRING)	2
6	936-00-077	WASHER, LOCK .78(UPR AIR SPG/LWR SHOCK BRKT)	2
7	1-512-010007-09	NUT, HEX 1/2-13 GRB (LOWER AIR SPRING)	2
8	1-861-010034-13	WASHER, SPLIT LOCK 1/2 GRB (LOWER AIR SPRING)	2
9	934-00-506	LOCK NUT 1.125-7 GRC	2
10	111037	WEAR WASHER 1.125	4
13	111038	ALIGNMENT BLOCK ASSEMBLY (PIVOT)	2
14	90008186	ALIGNMENT BLOCK NON-WELD (PIVOT)	2
15	1-654-010051-05	SCREW, HEX HEAD CAP 3/8-16 X 1 GR5 (UPR AIR SPG)	2
16	900-44-162	SHOCK	2
17	111036	AIR SPRING	2
20	94100687	LITERATURE SPECIFICATIONS NS-65-84 (NOT SHOWN)	1
21	94100790	LITERATURE LABEL (NOT SHOWN)	1
23	111033	U-BOLT .875-9 X 11 GR8	2
24	*111034	BEAM EQUALIZING W/ ADAPTERS RH NON-WELD	1
25	*111035	BEAM EQUALIZING W/ ADAPTERS LH	1
26	936-00-162	WASHER FLAT .78	4
27	934-00-498	NUT, HEX LOCK .875-9 GRC	4
28	941-00-832	LITERATURE AXLE WELDING (NOT SHOWN)	1
	110-05-104	FASTENER KIT (INCL. ITEMS 1-21)	1

* FOR 835 TRAILER, THE SHOCK MOUNT ON BEAMS GET MODIFIED PER PRINT 115751, USING THE FOLLOWING PARTS.

112488	GUSSET RLU250 SHOCK FRONT	2
112489	GUSSET RLU250 SHOCK REAR	2
113292	BRACKET, SHOCK MOUNT	2
RRRCF502 X 1.75	BAR, ROUND 3/8 X 1-3/4	2

ILLUSTRATED PARTS LIST

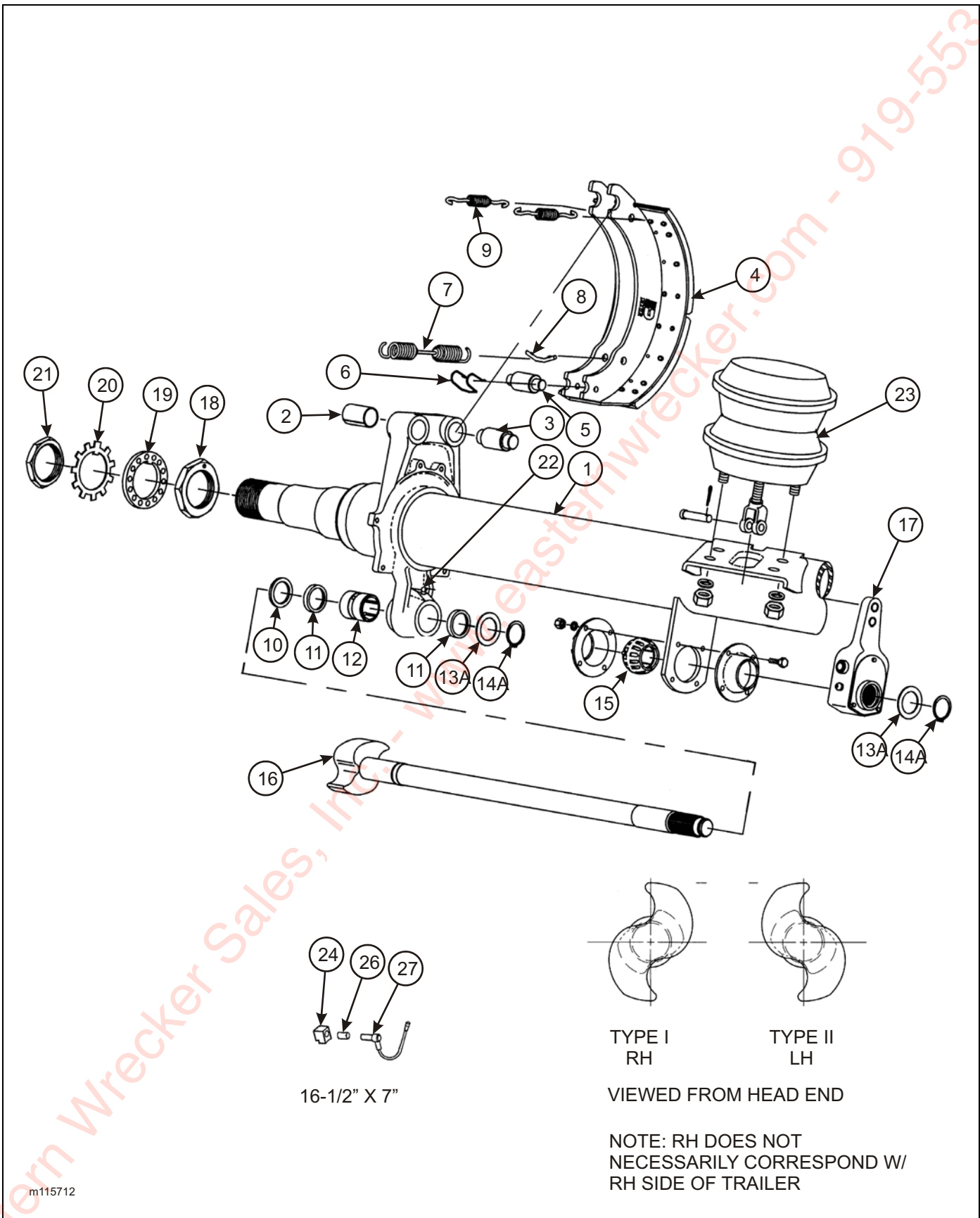


Figure 1-16 Axle and Brake Assembly

AXLE AND BRAKE ITEMS (DEXTER) (16-1/2" x 7")

ITEM	PART NO.	REFERENCE NO.	DESCRIPTION	QTY.
	115717		AXLE 79" TRK, 16.5 X 7 SPG BRK 25K	
	115722		AXLE 79" TRK, 16.5 X 7 SER BRK 25K	
	138956		AXLE 79" TRK, 16.5 X 7 SPG BRK 25K TIS	
	138960		AXLE 79" TRK, 16.5 X 7 SER BRK 25K TIS	
1A*	-----	D-2H16	BEAM W/ BRACKETS	1
	**K71-136-00	**K71-136-00	BRAKE SHOE HARDWARE KIT (ITEMS 2, 3, 5, 6, 7, 8, & 9)	
2**	-----	014-068-00	BUSHING, SPIDER ANCHOR PIN	4
3**	-----	056-017-00	PIN, ANCHOR	4
4	040-180-00	040-180-00	SHOE AND LINING ASSEMBLY	4
4A	-----	041-058-01	LINING - BRAKE BLOCK CAM	2
4B	-----	041-059-01	LINING - BRAKE BLOCK ANCHOR	4
	-----	K71-138-00	BRAKE BLOCK KIT	4
5**	014-065-00	014-065-00	ROLLER	4
6**	071-122-00	071-122-00	RETAINER, ROLLER	4
7**	046-096-00	046-096-00	SPRING, SHOE RETRACTOR	2
8**	056-018-00	056-018-00	RETAINER PIN RETRACTOR SPRING	4
9**	046-097-00	046-097-00	KEEPER SPRING	4
	138090	***K71-135-00	CAMSHAFT REPAIR KIT (ITEMS 10-15, & 22)	
10***	005-096-00	005-096-00	WASHER CAMSHAFT	2
11***	010-052-00	010-052-00	SEAL GREASE	4
12***	-----	014-056-00	BUSHING CAMSHAFT SPIDER	2
13A***	-----	005-134-00	WASHER CAMSHAFT END	2
14A***	069-078-00	069-078-00	RETAINER, CAMSHAFT END	2
15***	-----	014-058-00	BUSHING CAMSHAFT SUPPORT	2
16	137461	034-192-08	CAMSHAFT, 25" LH	1
	137485	034-193-08	CAMSHAFT, 25" RH	1
17	139383	055-040-98	SLACK ADJUSTER, AUTOMATIC	2
18	006-114-00	006-114-00	NUT, INNER SPINDLE	2
19	005-098-00	005-098-00	WASHER, SPINDLE LOCK	2
20	005-099-00	005-099-00	WASHER, TABBED SPINDLE LOCK	2
21	006-115-00	006-115-00	NUT, OUTER SPINDLE	2
22***	-----	061-006-00	FITTING, GREASE 45°	2
23	034-058-01	034-058-01	AIR CHAMBER, SPRING BRAKE	4
	034-057-01	034-057-01	AIR CHAMBER, SERVICE BRAKE	2
24	103805	024-100-00	SENSOR BLOCK	2
26	144979	097-002-00	RETAINER CLIP	2
27	128550	097-003-00	ABS SENSOR, 90	2

* WHEN ORDERING THE BEAM WITH SPINDLE, SPIDER, AND BRACKETS ATTACHED, YOU WILL NEED THE BEAM NUMBER, TRACK LENGTH, BRAKE SIZE, AND CAMSHAFT LENGTH.

** THESE PARTS ARE AVAILABLE AS PART OF THE BRAKE SHOE REPAIR KIT LISTED

*** THESE PARTS ARE AVAILABLE AS PART OF THE CAMSHAFT REPAIR KIT LISTED

NOTE: FOR HUB AND DRUM INFORMATION, SEE PAGE 2-89

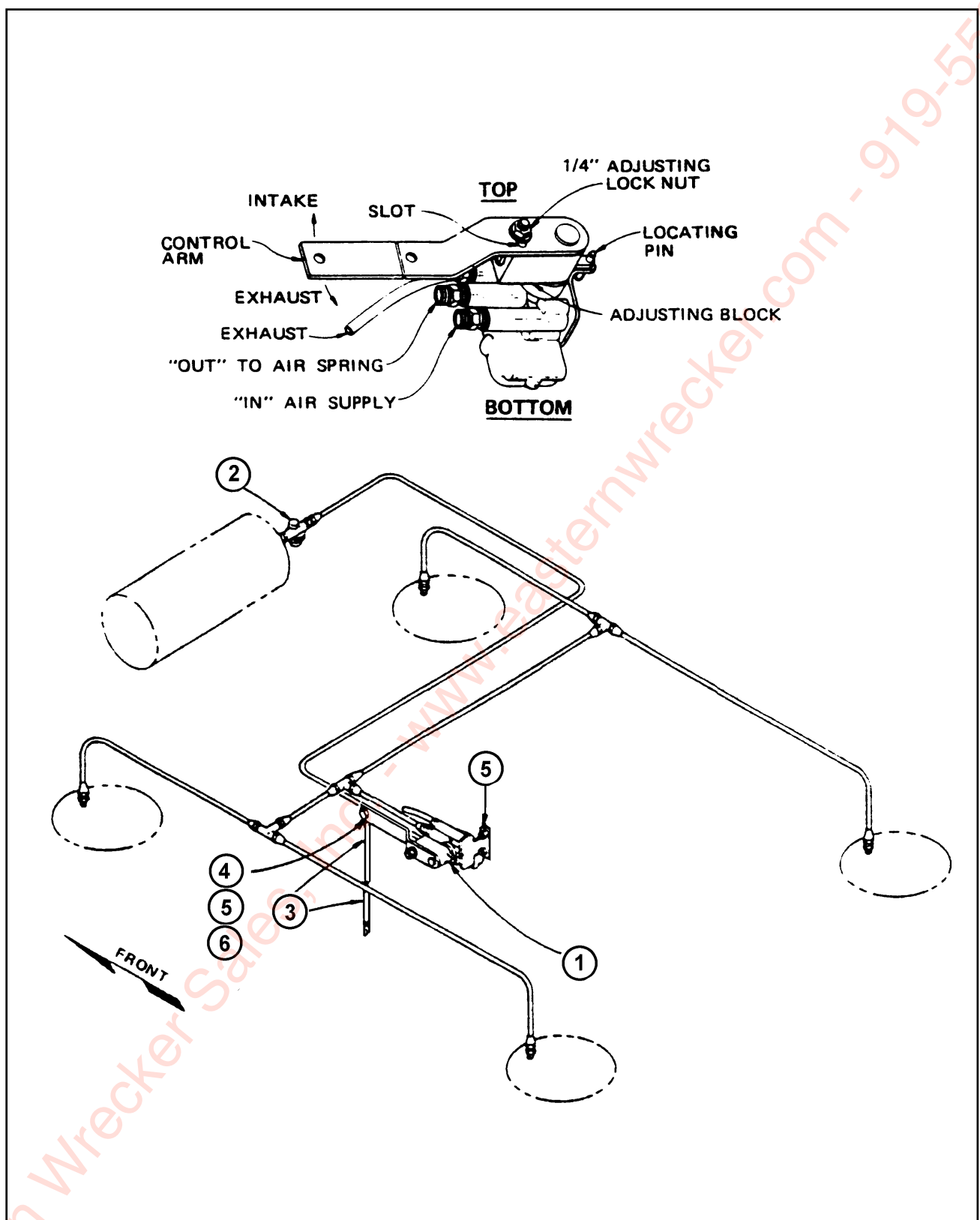


Figure 1-17 Air Control Kit

AIR CONTROL KIT (USED W/ RLU-250 SUSPENSION)

ITEM	PART NO.	DESCRIPTION	QTY.
	102732	AIR CONTROL KIT NEWAY	
1	900 54 007	HEIGHT CONTROL VALVE	1
2	905 54 107	AIR PRESSURE PROTECTION VALVE & FILTER	1
3	111021	SRK - 167 KIT (ADJ. LINK ASSY)	1
4	1-654-010047-04	SCREW, HEX HEAD CAP 1/4-20 X 3/4 GR5	2
5	1-512-010005-01	NUT, HEX LOCK 1/4-20 GRB	2
6	941 00 119	DECAL (OPERATING)	1
7	941 00 466	HEIGHT CONTROL INSTRUCTIONS (NOT SHOWN)	1

Eastern Wrecker Sales, Inc. - www.easternwrecker.com - 919-553-4038

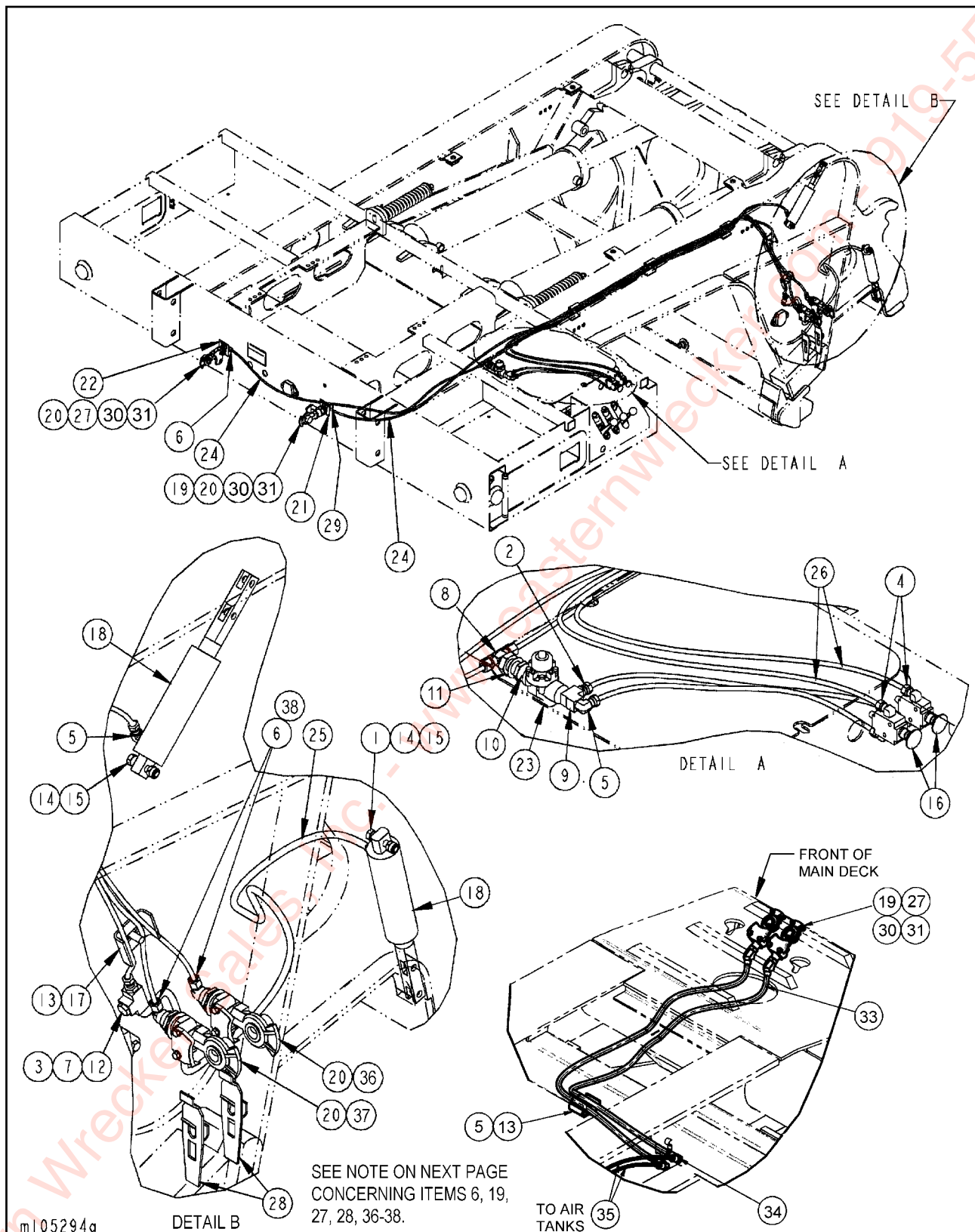


Figure 1-18 Air System

AIR SYSTEM

ITEM	PART NO.	DESCRIPTION	QTY.
	105294	GOOSENECK ASSEMBLY (825A)	
	110756	FRAME ASSEMBLY (825A)	
	120412	AIR BRAKE ASSEMBLY (835)	
	120666	GOOSENECK ASSEMBLY (835)	
1	1-297-010004-04	FITTING, BRS PIPE ADAPTER	1
2	1-297-010007-05	FITTING AIR 1/4	1
3	1-297-010007-06	FITTING AIR	1
4	1-297-010008-05	FITTING AIR 90	4
5	1-297-010008-07	FITTING AIR 90	2
6	1-297-010008-18	FITTING AIR 90	4
7	1-297-010009-03	FITTING, AIR PIPE TEE, 3/8	1
8	1-297-010015-06	FITTING, AIR BRASS TEE	1
9	1-297-010018-02	FITTING, BRASS PIPE TEE	1
10	1-297-010020-02	FITTING BRASS PIPE CL NIP 1/4	1
11	1-297-010022-02	FITTING, AIR ANCHOR COUPLING 1/4	1
12	1-297-010033-03	FITTING, BRASS PLUG HEX 3/8	1
13	1-510-010001	NUT, FLANGE HEAD SERR 3/8-16	5
14	1-512-010005-05	NUT HEX LOCK 3/8-16 GRB	2
15	1-654-010051-08	SCREW, HEX HEAD CAP 3/8-16 X 1-3/4 GR5	2
16	107887	VALVE, AIR PUSH BUTTON	2
17	2-181-010001	CLAMP	5
18	3-238-010007	CYLINDER, AIR 1-3/4 BORE	2
19	108801	GLADHAND RED AIR	2
20	55B61	FRAME UNION	2
21	55B61-6	TAG EMER LINE	1
22	55B61-7	TAG SERVICE LINE	1
23	905-54-107	BRAKE PROTECTION VALVE	1
24	1-833-010002	NYLON TUBING 3/8	AR
25	1-384-010038056	HOSE AIR 56"	1
26	1-833-010001	TUBING NYLON 1/4	AR
27	108802	GLADHAND BLUE AIR	2
28	36407	GLADHAND DUMMY	2
29	1-297-010013-11	FITTING, AIR 45	1
30	2081-8-6S	REDUCER 1/2 X 3/8	2
31	2088-6-6S	ADAPTER 45 3/8 X 3/8	2
32	1-796-010001	TIE WIRE 22 PLASTIC (NOT SHOWN)	1
33	1-384-010038084	HOSE, AIR 84"	2
34	1-297-010008-20	FITTING AIR 90	2
35	104142	CABLE ASSEMBLY, DECK TO G/N	REF
36	117838	GLADHAND W/ SHUTOFF (EMERGENCY)	1
37	117839	GLADHAND W/ SHUTOFF (SERVICE)	1
38	1-297-010008-20	FITTING, AIR 90	2

NOTE: ON 6/2/01; ITEMS 36-38 REPLACED ITEMS 6, 19, & 27 WHERE G/N CONNECTS TO TRAILER. IF REPLACEMENT PARTS NEEDED AT THIS LOCATION, USE ITEMS 36-38. REMOVE ITEM 28 WHEN USING ITEMS 36-38.

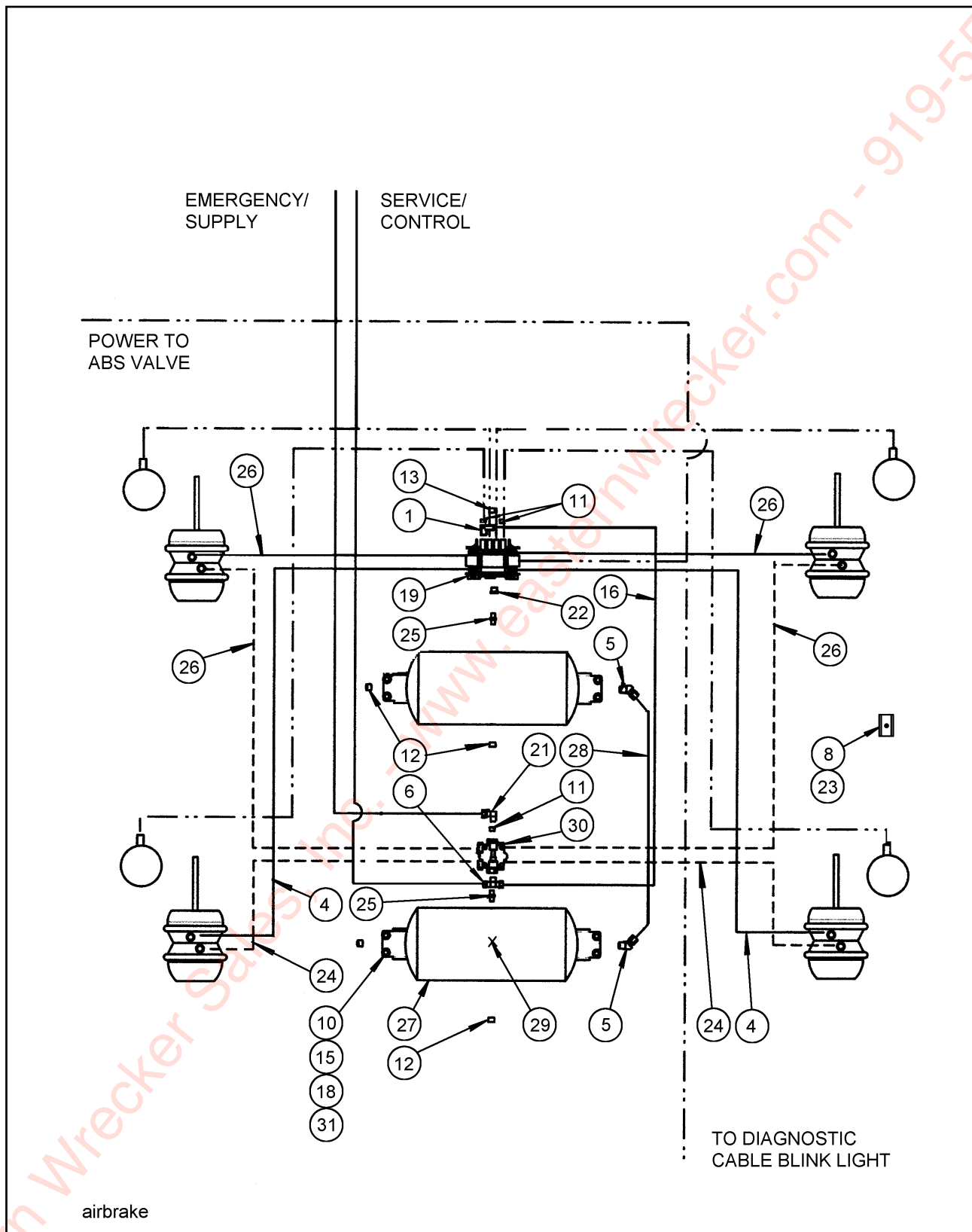
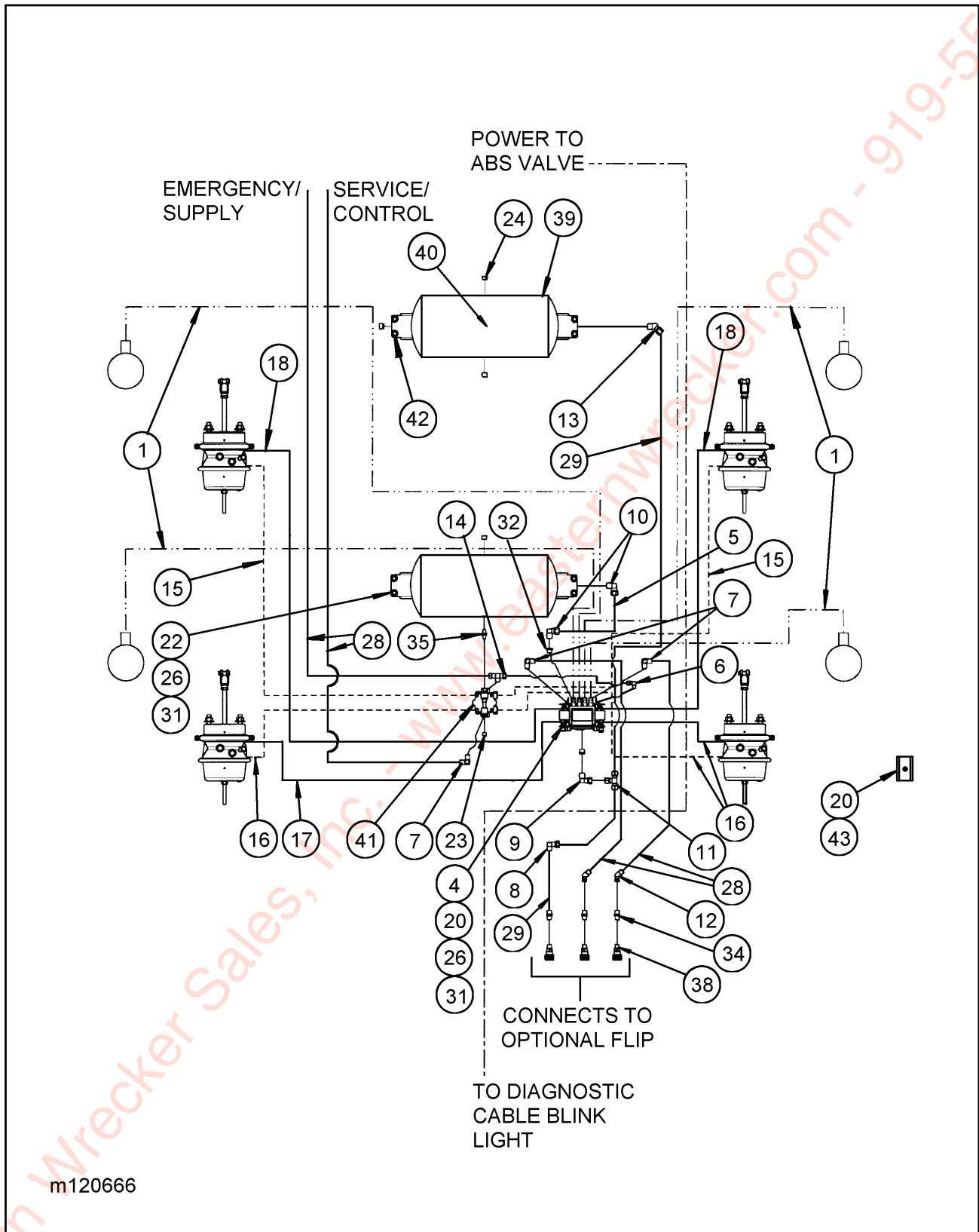


Figure 1-19 Air Brake System (825A)

AIR BRAKE SYSTEM (825A)

ITEM	PART NO.	DESCRIPTION	QTY.
	110756	FRAME ASSEMBLY 825	
1	1-297-010008-18	FITTING, AIR 90	1
4	1-384-010038084	HOSE, AIR 3/8 X 84	2
5	1-297-010013-16	FITTING, AIR 45 W/ ELBOW 1/2	2
6	1-297-010015-07	FITTING, AIR BR TEE 3/8	1
8	1-510-010001	NUT, FLANGE HEAD SERR 3/8-16	1
10	1-512-010005-05	NUT, HEX LOCK 3/8-16 GRB	8
11	1-560-010002-03	PLUG, PIPE 3/8	3
12	1-560-010002-04	PLUG, PIPE 1/2	3
13	1-560-010002-05	PLUG, PIPE 3/4	1
14	1-796-010001	TIE WIRE 22 PLASTIC (NOT SHOWN)	1
15	1-654-010051-08	SCREW, HEX HEAD CAP 3/8-16 X 1-3/4 GR5	8
16	1-833-010002	TUBING, NYLON 3/8	AR
18	1-861-010032-11	WASHER, FLAT 3/8W	16
19	114588	ECU/VALVE ASSEMBLY	1
21	1-297-010008-20	FITTING, AIR 90	1
22	3/4X1/2BUSH	BUSHING BLACK PIPE	2
23	103817	CLAMP, HOSE	1
24	1-384-010038060	HOSE, AIR 3/8 X 60	2
25	2083-8-8S	NIPPLE, HEX	2
26	3-384-010020	HOSE, AIR 3/8 X 32	4
27	3-780-010002	AIR TANK	2
28	1-833-010003	TUBING, NYLON 1/2	AR
29	56D4	COCK, DRAIN AIR TANK	2
30	758-181	VALVE TASK 4 PORT	1
31	805-2	BUSHING, STEP	16
32	114587	ABS MAINTENANCE MANUAL NO.33 (NOT SHOWN)	1



m120666

Figure 1-20 Air Brake System (835)

AIR BRAKE SYSTEM (835)

ITEM	PART NO.	DESCRIPTION	QTY.
	120666	AIR BRAKE ASSEMBLY 835	
1	*101848	SENSOR EXTENSION CABLE	REF
4	114584	ABS KIT WABCO 4S/2M (SEE PAGE 1-43)	1
5	117304	TUBING, NYLON 5/8	AR
6	1-297-010008-18	FITTING, AIR 90	1
7	1-297-010008-20	FITTING, AIR 90	3
8	1-297-010008-23	FITTING, AIR 90	1
9	1-297-010008-24	FITTING, AIR 90	1
10	1-297-010008-26	FITTING, AIR 90	2
11	1-297-010010-06	FITTING, AIR UNION TEE	1
12	1-297-010013-12	FITTING, AIR 45 W/ ELBOW 3/8	2
13	1-297-010013-16	FITTING, AIR 45 W/ ELBOW 1/2	1
14	1-297-010015-07	FITTING, AIR BR TEE 3/8	1
15	1-384-010038060	HOSE, AIR 3/8 X 60	2
16	1-384-010038024	HOSE, AIR 3/8 X 24	3
17	1-384-010038030	HOSE, AIR 3/8 X 30	1
18	1-384-010038072	HOSE, AIR 3/8 X 72	2
20	1-510-010001	NUT, FLANGE HEAD SERR 3/8-16	2
22	1-512-010005-05	NUT, HEX LOCK 3/8-16 GRB	8
23	1-560-010002-03	PLUG, PIPE 3/8	1
24	1-560-010002-04	PLUG, PIPE 1/2	4
26	1-654-010051-08	SCREW, HEX HEAD CAP 3/8-16 X 1-3/4 GR5	10
27	1-796-010001	TIE WIRE 22 PLASTIC (NOT SHOWN)	AR
28	1-833-010002	TUBING, NYLON 3/8	AR
29	1-833-010003	TUBING, NYLON 1/2	AR
31	1-861-010032-11	WASHER, FLAT 3/8W	18
32	118-2659-9	BUSHING, BLACK PIPE	2
34	2083-6-6S	ADAPTER, HYD NIPPLE 3/8-18	3
35	2083-8-8S	NIPPLE, HEX	2
37	3-201-010002	CONDUIT, PLASTIC FLEX 3/8 (NOT SHOWN)	8
38	3-220-010004	COUPLER, AIR FEMALE 3/8-18	3
39	3-780-010002	AIR TANK	REF
40	56D4	COCK, DRAIN AIR TANK	2
41	758-181	VALVE TASK 4 PORT	1
42	805-2	BUSHING, STEP	16
43	103817	CLAMP, HOSE	1

* PART OF ABS KIT, P/N 114584 (SEE PAGE 1-43).

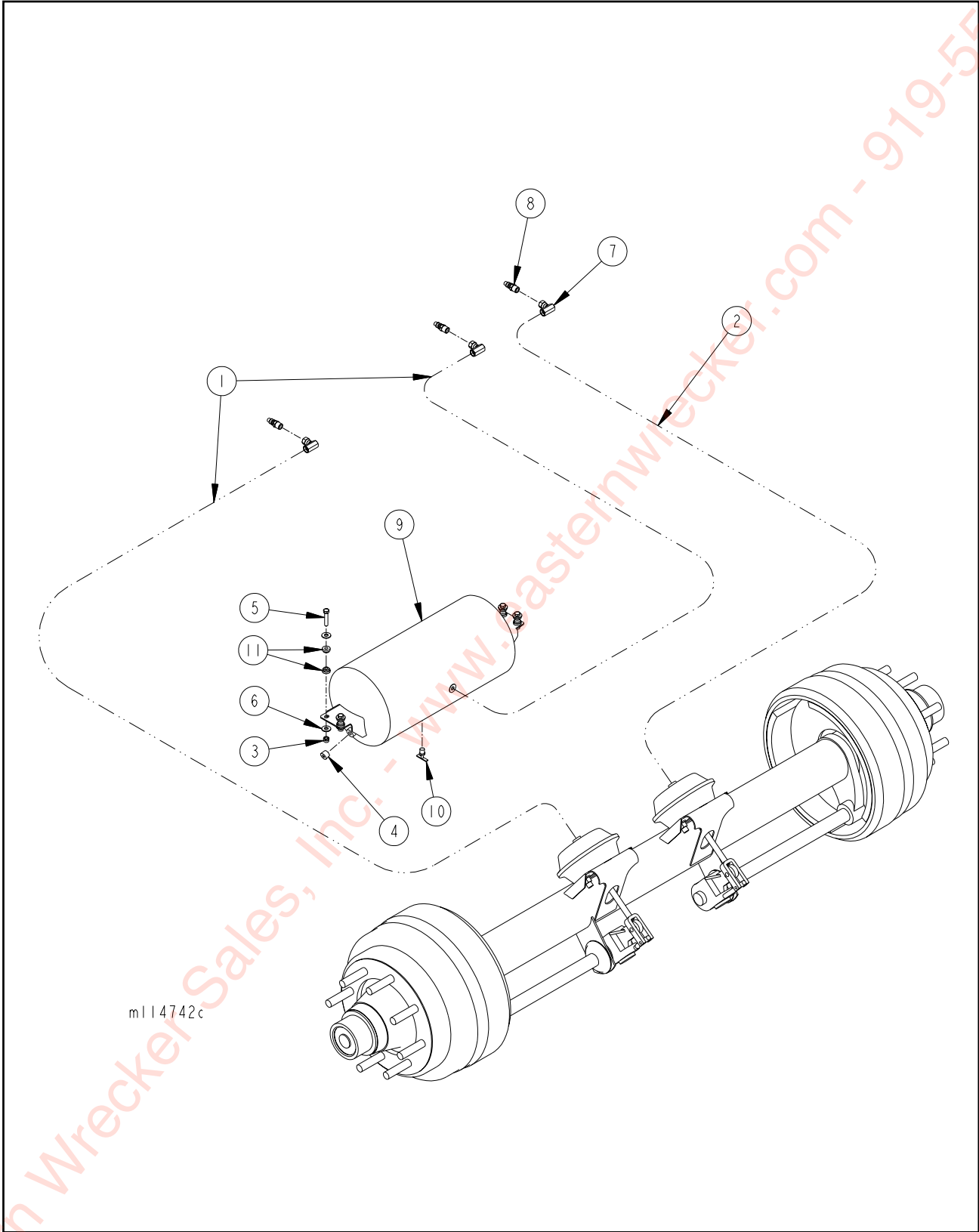
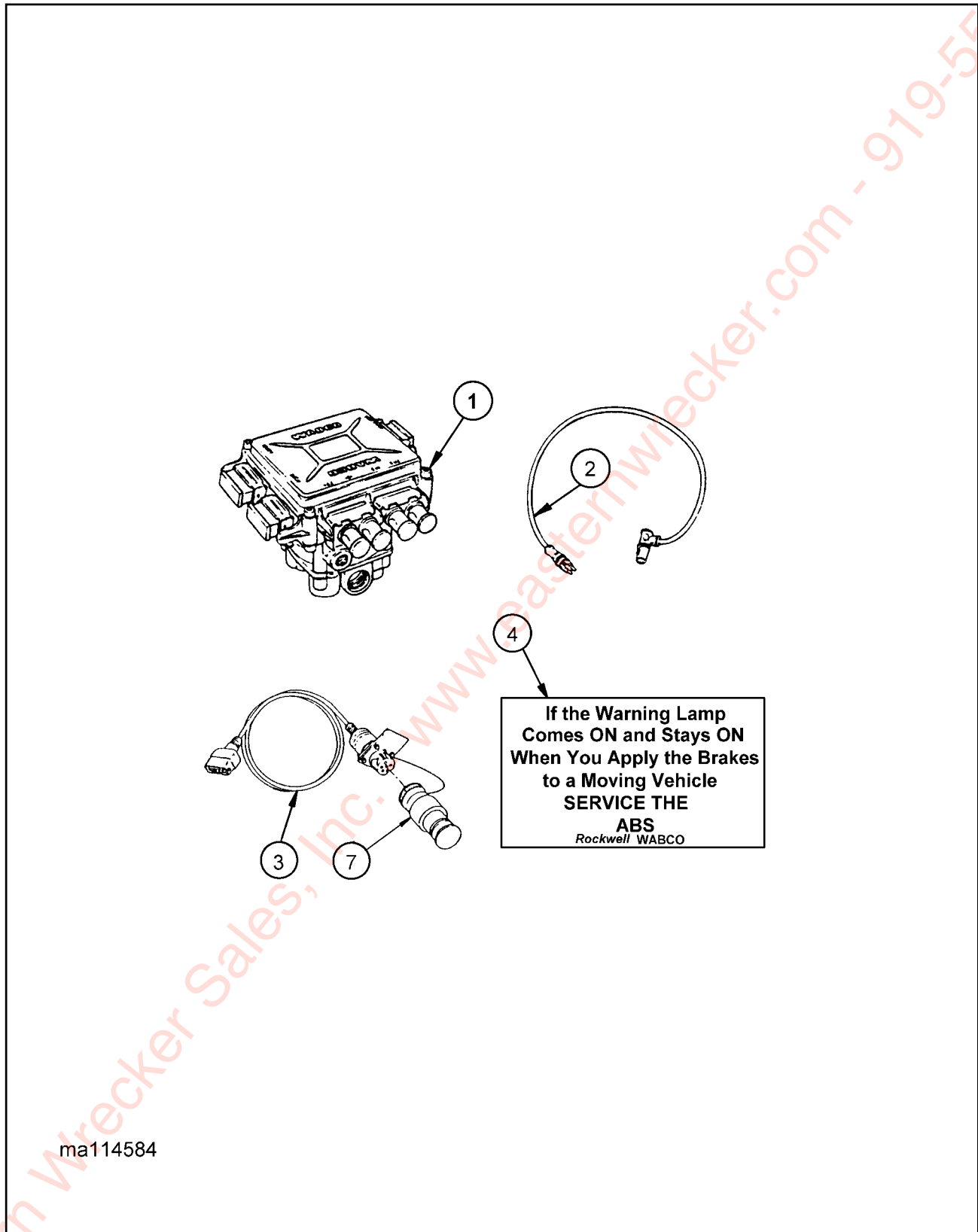


Figure 1-21 Air Brake System - Flip Axle (835)

AIR BRAKE SYSTEM - FLIP AXLE (835)

ITEM	PART NO.	DESCRIPTION	QTY.
	114742	FLIP ASSY 835-60 SPREAD	
	119046	FLIP ASSY 835-72 SPREAD	
1	1-384-010038042	HOSE, AIR 3/8 X 42 (60)	2
	1-384-010038054	HOSE, AIR 3/8 X 54 (72)	2
2	1-384-010038054	HOSE, AIR 3/8 X 54 (60)	1
	1-384-010038072	HOSE, AIR 3/8 X 72 (72)	1
3	1-512-010005-05	NUT, HEX LOCK 3/8-16 GRB	4
4	1-560-010002-04	PLUG, PIPE 1/2	3
5	1-654-010051-08	SCREW, HEX HEAD CAP 3/8-16 X 1-3/4 GR5	4
6	1-861-010032-11	WASHER, FLAT 3/8W	8
7	118-2650-6	SWIVEL, 90	3
8	3-220-010005	COUPLER, AIR MALE	3
9	3-780-010002	AIR TANK	1
10	56D4	COCK, DRAIN AIR TANK	1
11	805-2	BUSHING, STEP	8
12	1-796-010003-01	TIE STRAP, PLASTIC (NOT SHOWN)	AR



**If the Warning Lamp
Comes ON and Stays ON
When You Apply the Brakes
to a Moving Vehicle
SERVICE THE
ABS**
Rockwell WABCO

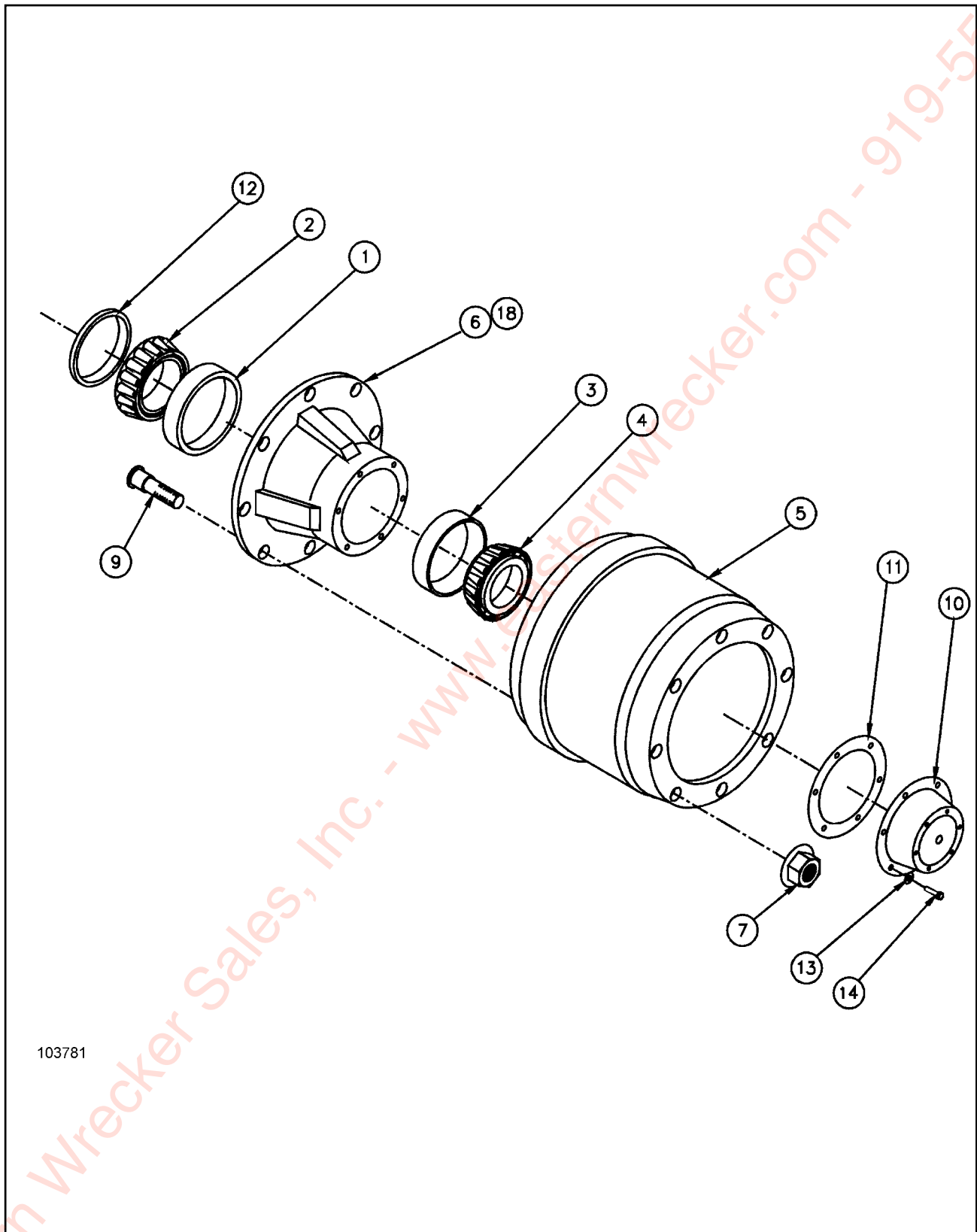
ma114584

Figure 1-22 Brake Kit, (Rockwell) ABS

BRAKE KIT (ROCKWELL) ABS

ITEM	PART NO.	DESCRIPTION	QTY.
	114584	BRAKE KIT, ROCKWELL ABS, 4S/2M	
1	114588	ECU/VALVE ASSEMBLY	1
2	101848	SENSOR EXTENSION CABLE	1
3	114590	POWER/DIAGNOSTIC CABLE(SWITCH NOT INCL.)	1
4	101855	WARNING LAMP LABEL	1
5	—	INSTALLATION GUIDE (NOT SHOWN)	1
6	114587	ABS MAINTENANCE MANUAL (NOT SHOWN)	
7	101851	DIAGNOSTIC SWITCH	1

Eastern Wrecker Sales, Inc. - www.easternwrecker.com - 919-553-4038



103781

Figure 1-23 Outboard Pilot Mount Hub and Drum

OUTBOARD PILOT MOUNT HUB AND DRUM ASSEMBLY

ITEM	PART NO.	DESCRIPTION	QTY.
	103783	HUB/DRUM 10 BOLT 16.5 PILOT ABS LONG STUD	
1	HM218210	INNER BEARING CUP	1
2	HM218248	INNER BEARING CONE	1
3	HM212011	OUTER BEARING CUP	1
4	HM212049	OUTER BEARING CONE	1
5	110976(66884)	OUTBOARD MOUNTED BRAKE DRUM	1
6	110975(2023----T)	HUB W/ STUDS	1
7	179933	NUT FLANGE MM22X1.5	10
9	101160	STUD R.H. 22X1.2 (103783)	10
10	021-038-01 (4009)	CAP, HUB	1
11	071-124-00 (3067)	GASKET, OIL CAP	1
12	3-659-010012	SEAL	1
13	1-861-010034-10	WASHER, SPLIT LOCK 5/16	6
14	1-654-010049-03	SCREW, HEX HEAD CAP 5/16-18 GR5	6
15	3-870-010106	WHEEL, POLISHED ALUM PILOT MNT 22.5 X 7.50 (10 BOLT)	1
	111652	WHEEL, PILOT MNT 22.5 X 8.25, PP(10 BOLT) (ALUM COLOR.)	1
	3-870-010116	WHEEL, MACHINED ALUM PILOT MNT 22.5 X 7.50(10 BOLT)	1
	3-870-010110	WHEEL, DISC PILOT MNT 22.5 X 8.25 (10 BOLT)(STD. STEEL) (NOT SHOWN)	1
16	TR573	VALVE STEM (NOT SHOWN)	1
	TR545D	VALVE STEM (ALUM.) (NOT SHOWN)	1
18	*	ABS TONE RING	1

* THIS PART SHOULD BE REPLACED IN CONJUNCTION WITH HUB ONLY. IT SHOULD NEVER BE SOLD SEPARATELY.

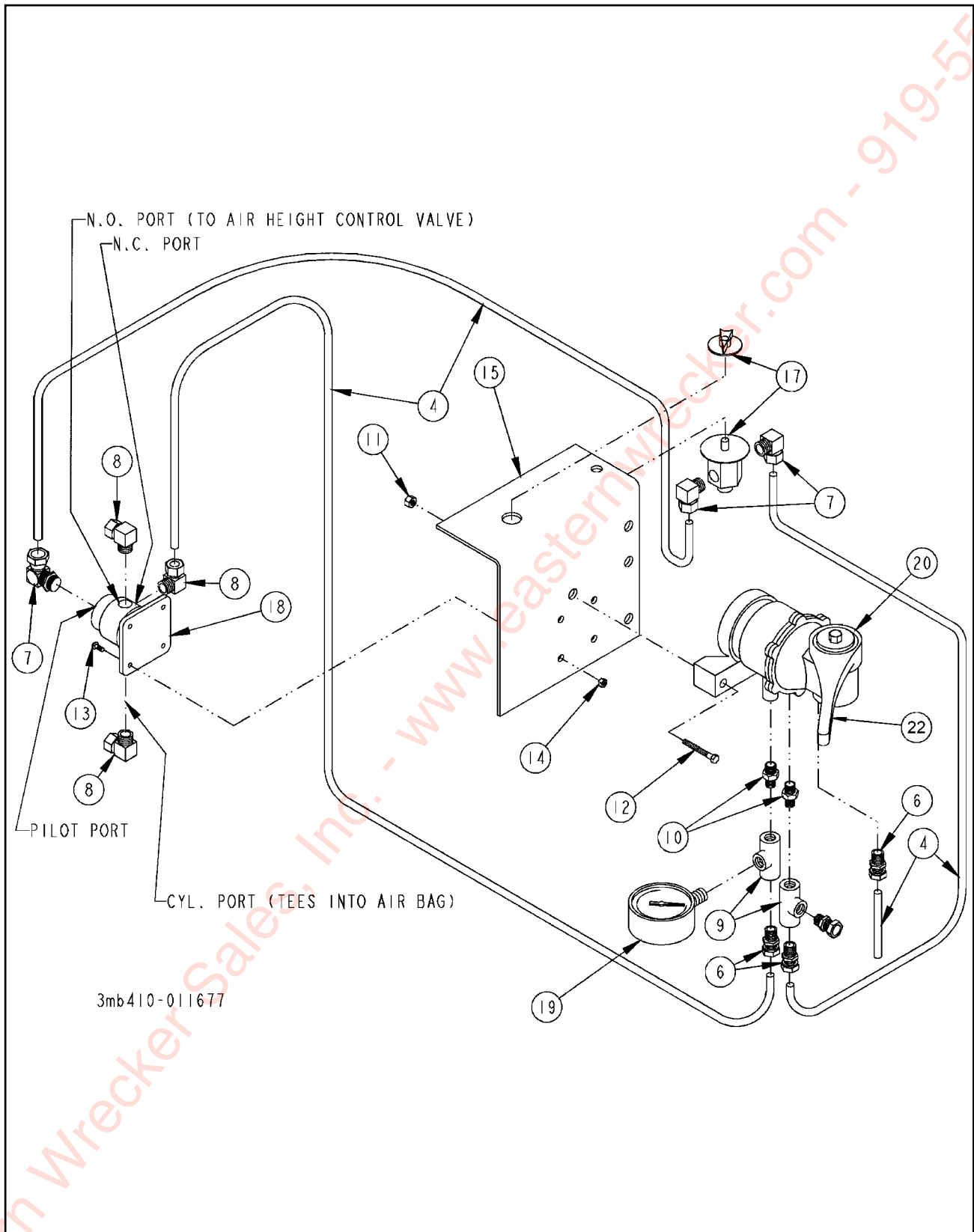


Figure 1-24 Manual Air Height Control Assembly (Option)

MANUAL AIR HEIGHT CONTROL ASSEMBLY (OPTION)

ITEM	PART NO.	DESCRIPTION	QTY.
	112326	CONTROL ASSEMBLY, AIR R/L	
1	*1-297-010010-01	FITTING, AIR UNION TEE 1/4 (NOT SHOWN)	1
2	**1-512-010005-03	NUT, HEX LOCK 5/16-18 GRB (NOT SHOWN)	3
3	**1-654-010049-05	SCREW, HEX HEAD CAP 5/16-18 X 1 GR (NOT SHOWN)	3
4	1-833-010001	NYLON TUBING 1/4	AR
5	**1-861-010032-09	WASHER, FLAT 5/16 (NOT SHOWN)	3
6	1-297-010007-05	FITTING, AIR	2
7	1-297-010008-05	FITTING, AIR 90	3
8	1-297-010008-07	FITTING, AIR 90	5
9	1-297-010009-02	FITTING, AIR PIPE TEE 1/4	2
10	1-297-010020-02	FITTING, BRASS PIPE	2
11	1-512-010005-03	NUT, HEX LOCK 5/16-18 GRB	2
12	1-654-010049-06	SCREW, HEX HEAD CAP 5/16-18 X 1-1/4 GR5	2
13	1-656-010003051	SCREW, RD HEAD MACH #10-24 X 3/4	4
14	1-512-010003-06	NUT, HEX LOCK 10-24	4
15	112324	PLATE, MOUNTING AIR LIFT KIT	1
16	112325	AIR CONTROL KIT MANUAL (INCL ITEMS 17-21)	1
17	900-54-088	VALVE, MANUALLY OPERATED	1
	900-54-211	KNOB FOR 900-54-088	1
18	900-54-079	PILOT VALVE	1
19	900-54-280	AIR GAUGE	1
20	900-54-082	HAND CONTROL VALVE	1
21	900-44-206	DECAL (NOT SHOWN)	1
22	105390	HANDLE REPLACEMENT MANUAL HEIGHT CONTROL	1

* USED TO CONNECT HEIGHT CONTROL ASSEMBLY TO AIR RIDE SYSTEM

** USED TO CONNECT HEIGHT CONTROL ASSEMBLY TO THE TRAILER FRAME

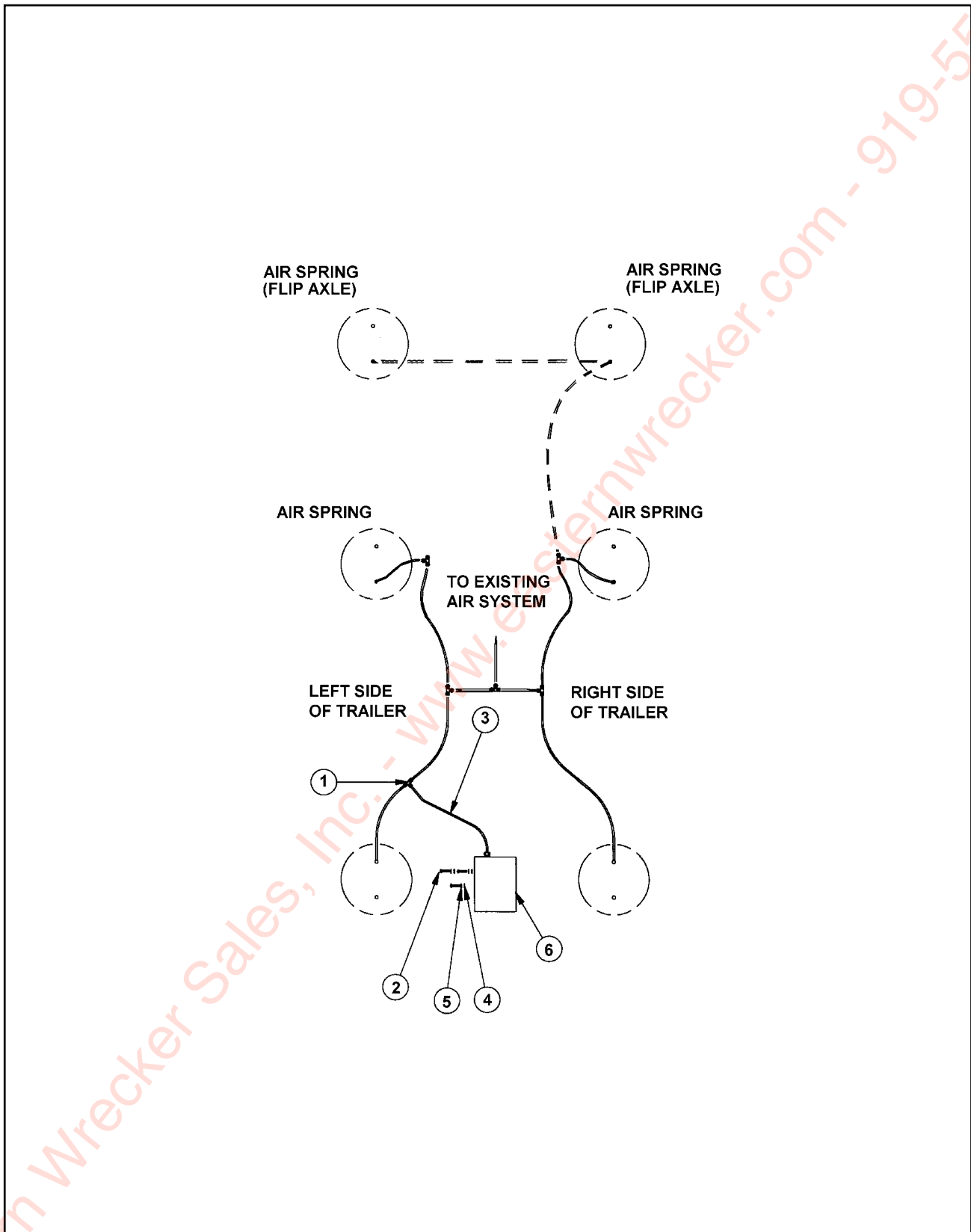


Figure 1-25 Scale-o-matic Installation (Option)

SUSPENSION SCALE-O-MATIC ASSEMBLY (OPTION)

ITEM	PART NO.	DESCRIPTION	QTY.
	B7-762-159	INSTALLATION SCALE-O-MATIC	
1	1-297-010011-03	FITTING AIR M/RUN TEE	2
2	1-654-010047-08	SCREW HEX HEAD CAP 1/4-20 X 1-1/2	3
3	1-833-010001	NYLON TUBING 1/4	AR
4	1-861-010032-06	WASHER FLAT 1/4N	3
5	1-861-010034-09	WASHER SPLIT LOCK 1/4	3
6	3-762-010612	SCALE-O-MATIC, 25,000 LB. CAP	1

Eastern Wrecker Sales, Inc. - www.easternwrecker.com - 919-553-4038

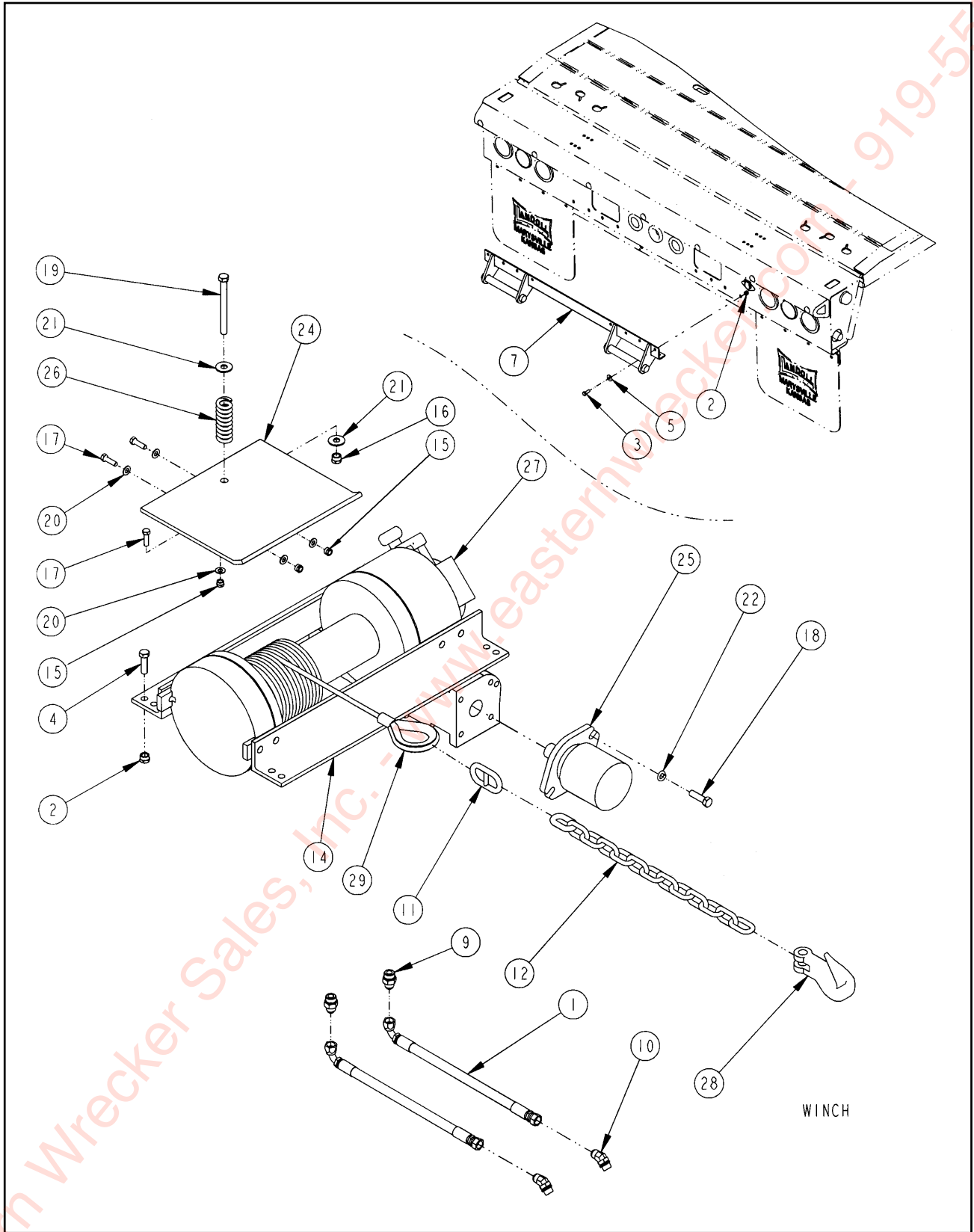


Figure 1-26 Winch Installation

WINCH INSTALLATION

ITEM	PART NO.	DESCRIPTION	QTY.
	105098	WINCH INSTALLATION, 825 G/N 12K	
	105099	WINCH INSTALLATION, 825 G/N 20K	
1	1-397-010302060	HOSE ASSEMBLY 1/2 X 60	2
2	1-512-010005-09	NUT, HEX LOCK 1/2-13 GRB	20
3	1-654-010055-02	SCREW, HEX HEAD CAP 1/2-13 X 1-1/4 GR5	12
4	1-654-010055-03	SCREW, HEX HEAD CAP 1/2-13 X 1-1/2 GR5	8
5	1-861-010032-15	WASHER, FLAT 1/2	12
6	100600	DECAL, WARNING BRADEN (NOT SHOWN)	1
7	105195	ANCHOR WELDMENT	1
8	105301	HOOK, G/N CONNECT REAR PLATE (WELDED TO G/N) (NOT SHOWN)	2
9	202702-10-8S	ADAPTER, #10 O-RING	2
10	2061-8-8S	ADAPTER, 45, #8 O-RING (CONNECTS TO VALVE)	2
11	3-174-010038	CHAIN LINK CONNECTING 1/2	1
12	3-174-010039036	CHAIN 1/2 X 36	1
13	3-573-010299	DECAL, WARNING WINCH (NOT SHOWN)	1
14	3-873-010126-2	WINCH ASSEMBLY 12,000 LB (INCL ITEMS 15 - 27)	1
	3-873-010129-2	WINCH ASSEMBLY 20,000 LB (INCL ITEMS 15 - 27)	1
15	1-512-010005-05	NUT, HEX LOCK 3/8-16 GRB	3
16	1-512-010005-09	NUT, HEX LOCK 1/2-13 GRB	1
17	1-654-010051-06	SCREW, HEX HEAD CAP 3/8-16 X 1-1/4 GR5	3
18	1-654-010055-04	SCREW, HEX HEAD CAP 1/2-13 X 1-3/4 GR5	2
19	1-654-010055-16	SCREW, HEX HEAD CAP 1/2-13 X 5-1/2 GR5 (12K)	1
	1-654-010055-17	SCREW, HEX HEAD CAP 1/2-13 X 6 GR5 (20K)	1
20	1-861-010032-10	WASHER, FLAT 3/8N	6
21	1-861-010032-15	WASHER, FLAT 1/2W	1
22	1-861-010034-13	WASHER, SPLIT LOCK 1/2	2
23	100600	DECAL, WARNING BRADEN (NOT SHOWN)	1
24	3-873-010124	WINCH TENSIONER WLDMT 12K	1
	102186	WINCH TENSIONER 20K BRADEN SPRING	1
25	3-481-010006	MOTOR, HYDRAULIC 12,000 LB (SEE PAGE 1-58)	1
	3-481-010007	MOTOR, HYDRAULIC 20,000 LB (SEE PAGE 1-58)	1
26	3-720-010010	SPRING COMP LEVEL WIND	1
27	3-873-010122	WINCH WORM GEAR 12,000 LB (SEE PAGE 1-53)	1
	3-873-010123	WINCH WORM GEAR 20,000 LB (SEE PAGE 1-56)	1
28	7HCGHT500	CLEVIS GRAB HOOK	1
29	3-155-010017-4	CABLE, 1/2 W/ LOOP 85FT	1
	3-155-010018-6	CABLE, 5/8 W/ LOOP 85FT	1

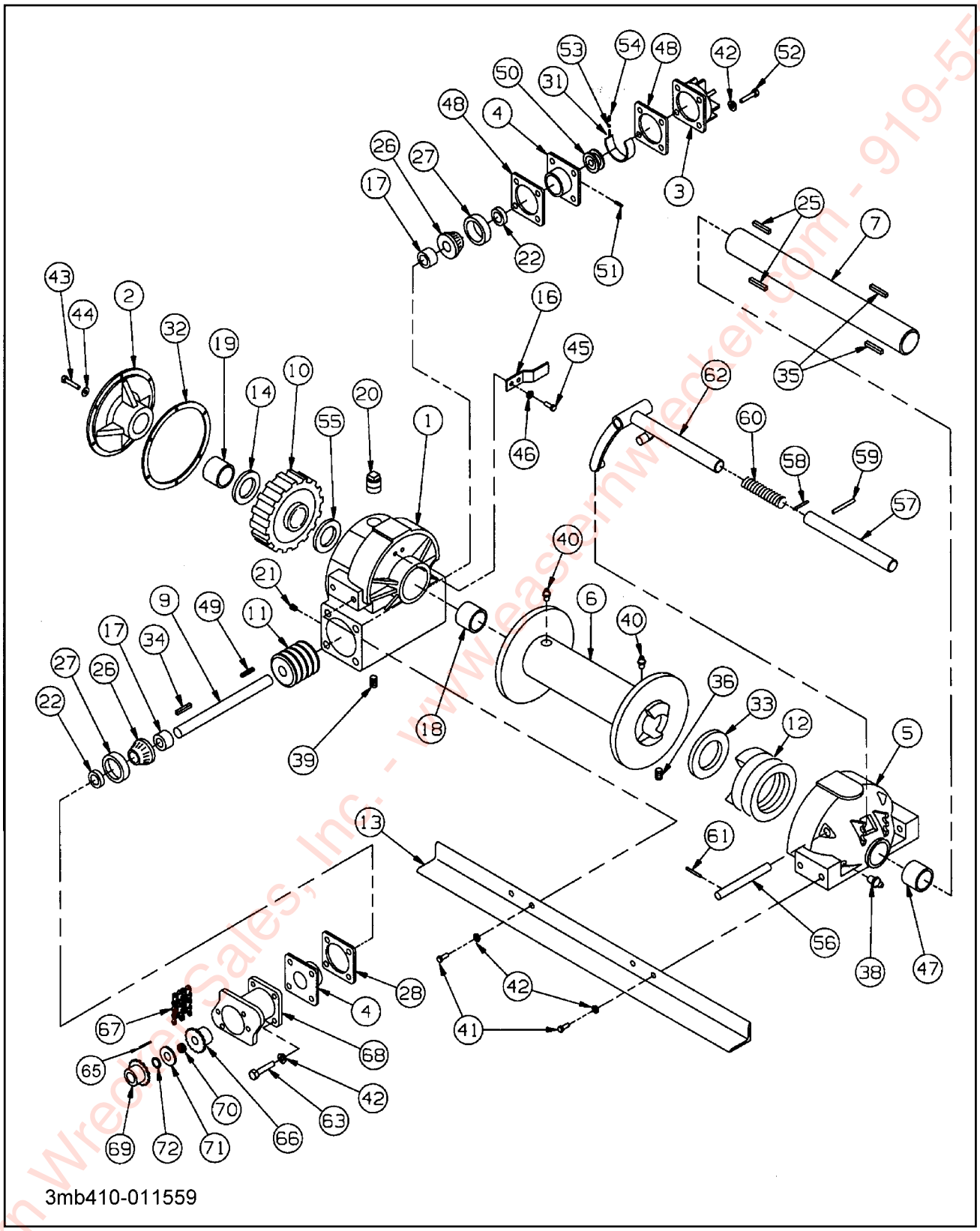


Figure 1-27 12,000# Winch Assembly

12,000# WINCH ITEMS

ITEM	PART NO.	DESCRIPTION	QTY.
	3-873-010122	WINCH ASSY 12K	1
1	81006	WORM HOUSING ASSY (INCLUDES ITEM 18)	1
2	81009	COVER ASSY WORM HOUSING (INCL ITEM 19)	1
3	18032	HOUSING SAFETY BRAKE	1
4	23303	CONTAINER BEARING	2
5	81530	LEG ASSEMBLY BEARING (INCLUDES ITEM 47)	1
6	11128	DRUM CABLE	1
7	11129	DRUM SHAFT CABLE	1
9	23470	SHAFT WORM	1
10	11144	GEAR WORM LEFT HAND	1
11	11142	WORM LEFT HAND	1
12	18039	SLIDING CLUTCH	1
13	22752	ANGLE BASE	2
14	13680	THRUST RING	1
16	81025	BRAKE DRAG	1
17	11308	SPACER WORM	2
18	18078	BUSHING	1
19	11368	BUSHING	1
20	22775	PLUG PIPE	1
21	18009	PLUG PIPE	1
22	18026	SEAL GREASE	2
25	11117	KEY WORM GEAR	2
26	18015	CONE BEARING	2
27	18016	CUP BEARING	2
28	18027	GASKET	3
31	21925	BAND BRAKE	1
32	11133	WORM HOUSING COVER GASKET	3
33	18019	RETAINER RING	1
34	18030	KEY WORM	1
35	18020	KEY CLUTCH	2
36	24032	SETSCREW	1
38	18047	FITTING GREASE	1
39	19045	PLUG PIPE	1
40	11799	FITTING GREASE	2
41	21961	CAPSCREW	12
42	18003	WASHER LOCK	16
43	11767	CAPSCREW	6
44	11011	WASHER LOCK	6
45	13005	CAPSCREW	2
46	12780	WASHER LOCK	2
47	18078	BUSHING	1
48	18024	BEARING CONTAINER GASKET	3
49	10078	KEY	1
50	18028	DRUM BRAKE	1
51	12075	SETSCREW	1
52	22703	CAPSCREW	4
53	13468	JAM NUT	4
54	18029	BRAKE BAND SPRING	1
55	11240	RETAINER RING	1
56	11130	SHIFTER SHAFT	1

12,000# WINCH ITEMS

ITEM	PART NO.	DESCRIPTION	QTY.
57	12817	SHIFTER HANDLE	1
58	18056	ROLLPIN	1
59	13028	ROLLPIN	1
60	18002	SPRING	1
61	11837	ROLLPIN	2
62	13839	SHIFTER FORK	1
63	22704	CAPSCREW	4
65	18044	KEY	1
66	23081	COUPLING HALF (WORM SHAFT)	1
67	13424	ROLLER CHAIN	1
68	23079	MOTOR ADAPTER	1
69	23083	COUPLING HALF (MOTOR SHAFT)	1
70	23353	SPRING	1
71	23078	SPACER	1
72	23085	SPACER	1

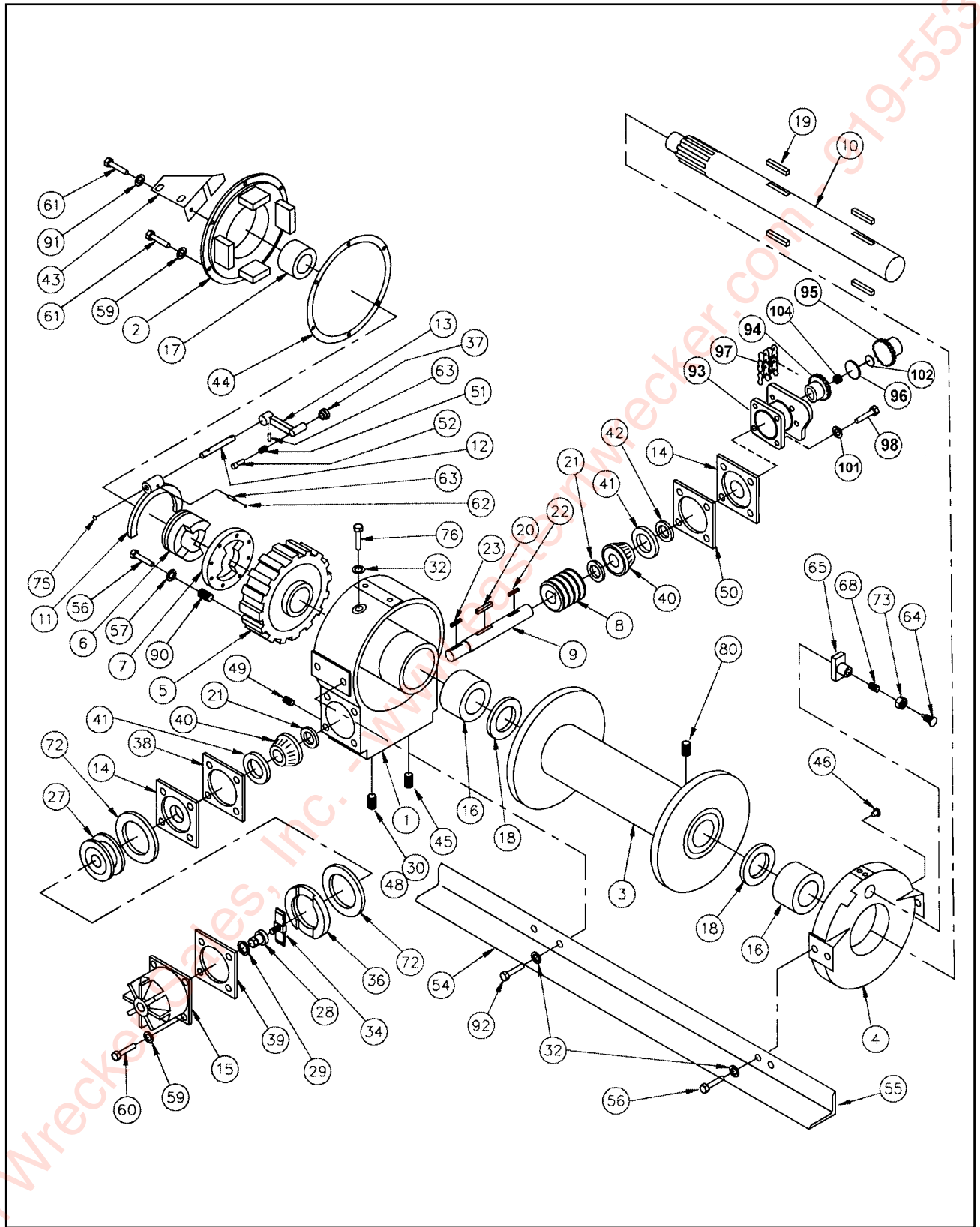


Figure 1-28 20,000# Winch Assembly

20,000# WINCH ITEMS

ITEM	PART NO.	DESCRIPTION	QTY.
	3-873-010123	WINCH 20000# W/BOLT-ON ANGLES	
1	81078	WORM HOUSING ASSEMBLY	1
2	81082	COVER ASSEMBLY WORM HOUSING	1
3	11449	DRUM CABLE	1
4	81077	LEG ASSEMBLY BEARING	1
5	11434	WORM GEAR RIGHT	1
6	11421	CLUTCH SLIDING	1
7	11419	DRIVE CLUTCH	1
8	11404	WORM RIGHT	1
9	11405	SHAFT WORM	1
10	11414	SHAFT CABLE DRUM	1
11	11440	FORK SHIFTER	1
12	11441	SHAFT SHIFTER	1
13	11442	HANDLE SHIFTER	1
14	11427	CONTAINER BEARING	2
15	11445	COVER WORM BRAKE	1
16	18035	BUSHING	2
17	11425	BUSHING	1
18	11420	RING RETAINING	2
19	22055	DRUM KEY CABLE	4
20	11402	KEY WORM	1
21	11407	SPACER WORM	2
22	23367	KEY SPROCKET	1
23	10078	KEY ROTOR	1
27	81080	ROTOR ASSEMBLY BRAKE	1
28	11599	ADJUSTING NUT WORM BRAKE	1
29	12465	O-RING	1
30	19014	PLUG FILLER	1
32	11026	WASHER LOCK	10
34	81081	SPRING ASSEMBLY SAFETY BRAKE	1
36	11431	PLATE PRESSURE	1
37	18022	KNOB SHIFTER	1
38	11429	GASKET	4
39	11446	GASKET	2
40	18033	BEARING CONE	2
41	18034	BEARING CUP	2
42	12073	SEAL GREASE	1
43	12783	BRACKET SHIFTER	1
44	11411	COVER GASKET HOUSING	1
45	19045	PLUG DRAIN	1
46	18047	FITTING GREASE	1
48	22775	PLUG VENT	1
49	18009	PLUG LEVEL	1
50	11430	GASKET	4
51	11310	SPRING SHIFTER KNOB	1
52	11309	STEM SHIFTER KNOB	1
54	28942	ANGLE FRONT BASE	1
55	28943	ANGLE REAR BASE	1
56	13938	CAPSCREW	16
57	12781	WASHER LOCK	8
59	11025	WASHER LOCK	3

20,000# WINCH ITEMS

ITEM	PART NO.	DESCRIPTION	QTY.
60	22695	CAPSCREW	4
61	21965	CAPSCREW	6
62	12146	PLUG EXPANSION	A/R
63	13028	ROLLPIN	A/R
64	11398	SCREW ADJUSTING	1
65	88005	SHOE ASSEMBLY DRAG BRAKE	1
68	18002	SHOE ASSEMBLY DRAG BRAKE	1
72	11426	DISC FRICTION	2
73	11791	NUT JAM	1
75	12767	PLUG EXPANSION	A/R
76	22729	CAPSCREW	2
77	23245	SAE PLATE-AMU7-16F (NOT SHOWN)	1
78	23310	PLATE WARNING (NOT SHOWN)	1
79	11842	SCREW DRIVE (NOT SHOWN)	4
80	12228	SCREW SET	1
90	11435	INSERT THREAD	8
91	11014	LOCKWASHER	1
92	22697	CAPSCREW	5
93	23144	ADAPTER - MOTOR	1
94	23081	COUPLING HALF-WINCH	1
95	23142	COUPLING HALF-MOTOR	1
96	23078	SPACER - CONSTANT	1
97	13424	ROLLER CHAIN	1
98	22704	CAPSCREW	4
99	13413	CAPSCREW (NOT SHOWN)	4
100	18003	LOCKWASHER (NOT SHOWN)	4
101	11026	LOCKWASHER	4
102	23183	SPACER - VARIABLE	2
103	22703	CAPSCREW (NOT SHOWN)	4
104	23353	SPRING - SPACER	1

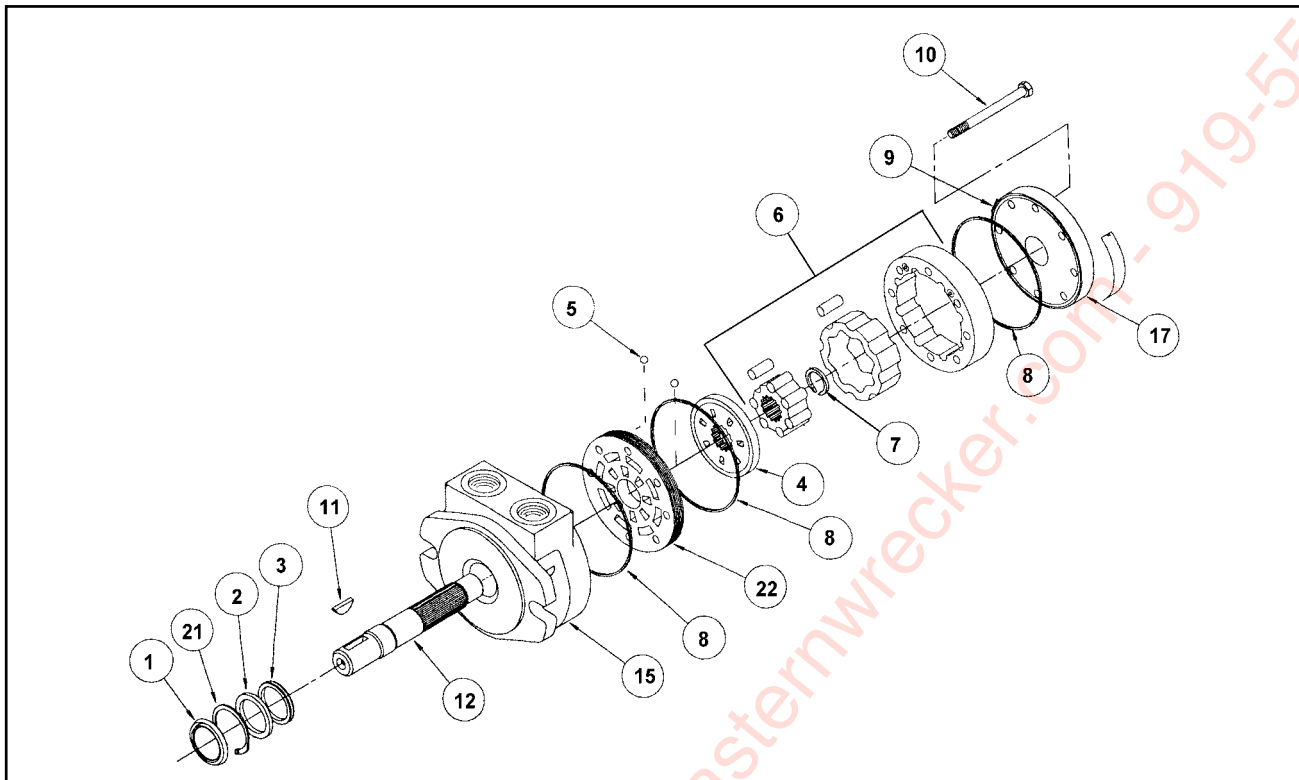


Figure 1-29 Winch Motor Assembly

WINCH MOTOR ASSEMBLY

ITEM	PART NO.	DESCRIPTION	QTY.
	3-481-010007	MOTOR HYD. (FOR 20K WINCH)	1
	3-481-010006	MOTOR HYD (FOR 12K WINCH)	1
1	2183	SEAL DUST	1
2	2177	BACK-UP RING	1
3	2175	SEAL, LIP	1
4	1644	ROTARY VALVE	1
5	1021	CHECK VALVE BALL	2
6	1004-6	IGR, ASSY (FOR 20K WINCH)	1
	1004-3	IGA, ASSY (FOR 12K WINCH)	1
7	1296	SNAP RING	1
8	1046	SQUARE RING SEAL	3
9	1019-4	PLUG, VENT W/O-RING 7/16-20	1
10	1014-4	BOLTS, HEX 5/16-24 (FOR 20K WINCH)	8
	1114-5	BOLTS, HEX 5/16-24 (FOR 12K WINCH)	8
11	1655	KEY, WOODRUFF	1
12	2265-6	SHAFT, 1.25" 14 TOOTH SPLINE (FOR 20K WINCH)	1
	2109-3	SHAFT, 1" KEYED (FOR 12K WINCH)	1
15	M110AB-4	BODY/BEARING ASSY (FOR 20K WINCH)	1
	PA-2328-2	BODY/BEARING ASSY (FOR 12K WINCH)	1
17	M110C-1	COVER/BEARING ASSY	1
21	2180	SNAP RING, SHAFT	1
22	1865	COMMUNTATOR PLATE	1
	2263	SEAL KIT, BODY	1
	2480	SEAL KIT, BODY, VITON	1

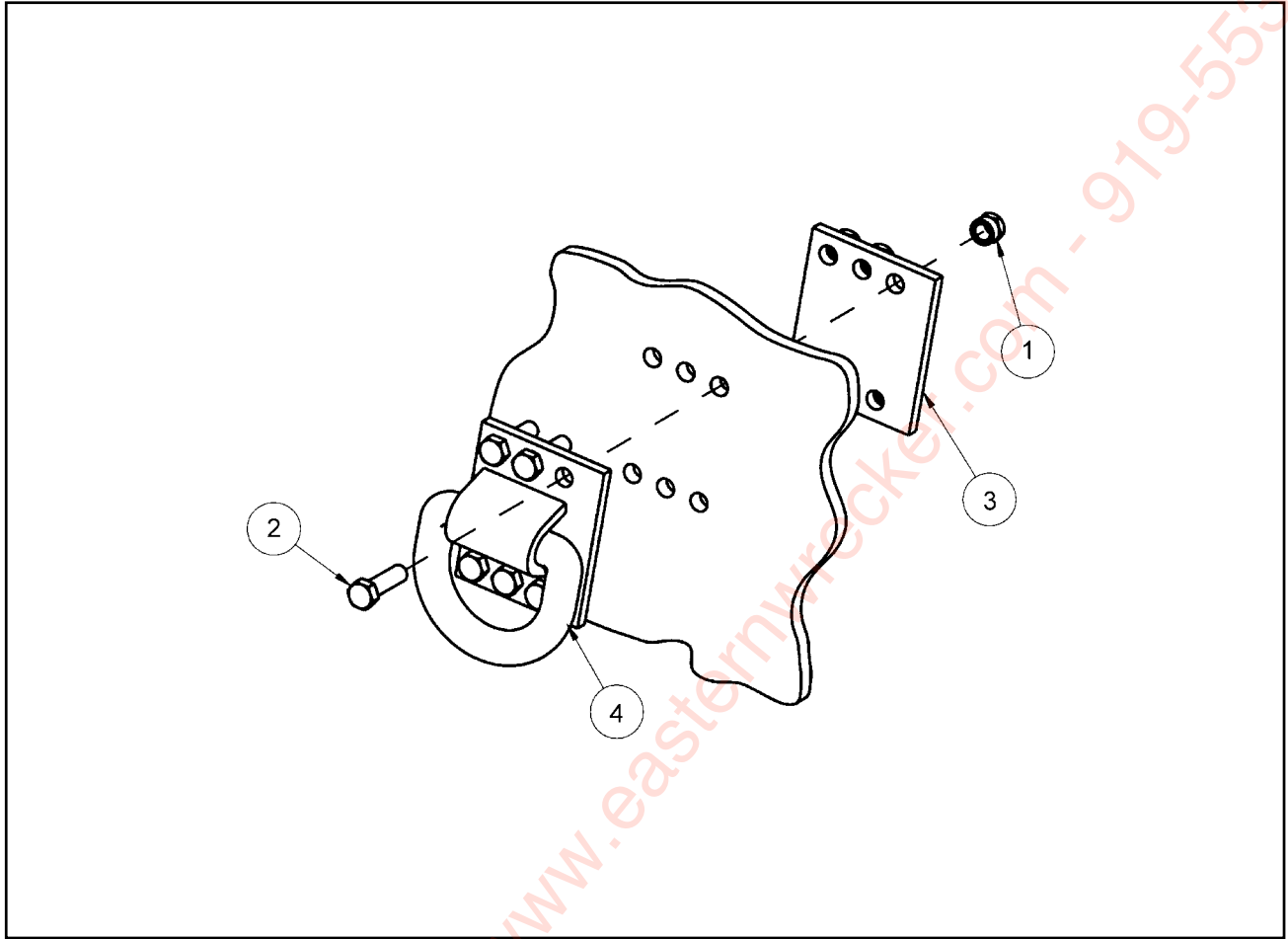


Figure 1-30 Bolt-On D-Ring Assembly (Option)

BOLT-ON D-RING ASSEMBLY (OPTION)

ITEM	PART NO.	DESCRIPTION	QTY.
	111390	D-RING ASSEMBLY, BOLT-ON	
1	1-512-010005-09	NUT HEX LOCK 1/2-13 GR B	6
2	1-654-010055-04	SCREW HEX HEAD CAP 1/2-13 X1-3/4 GR5	6
3	111382	MOUNT, TIE DOWN	1
4	3-793-010040	TIE DOWN, WINCH	1

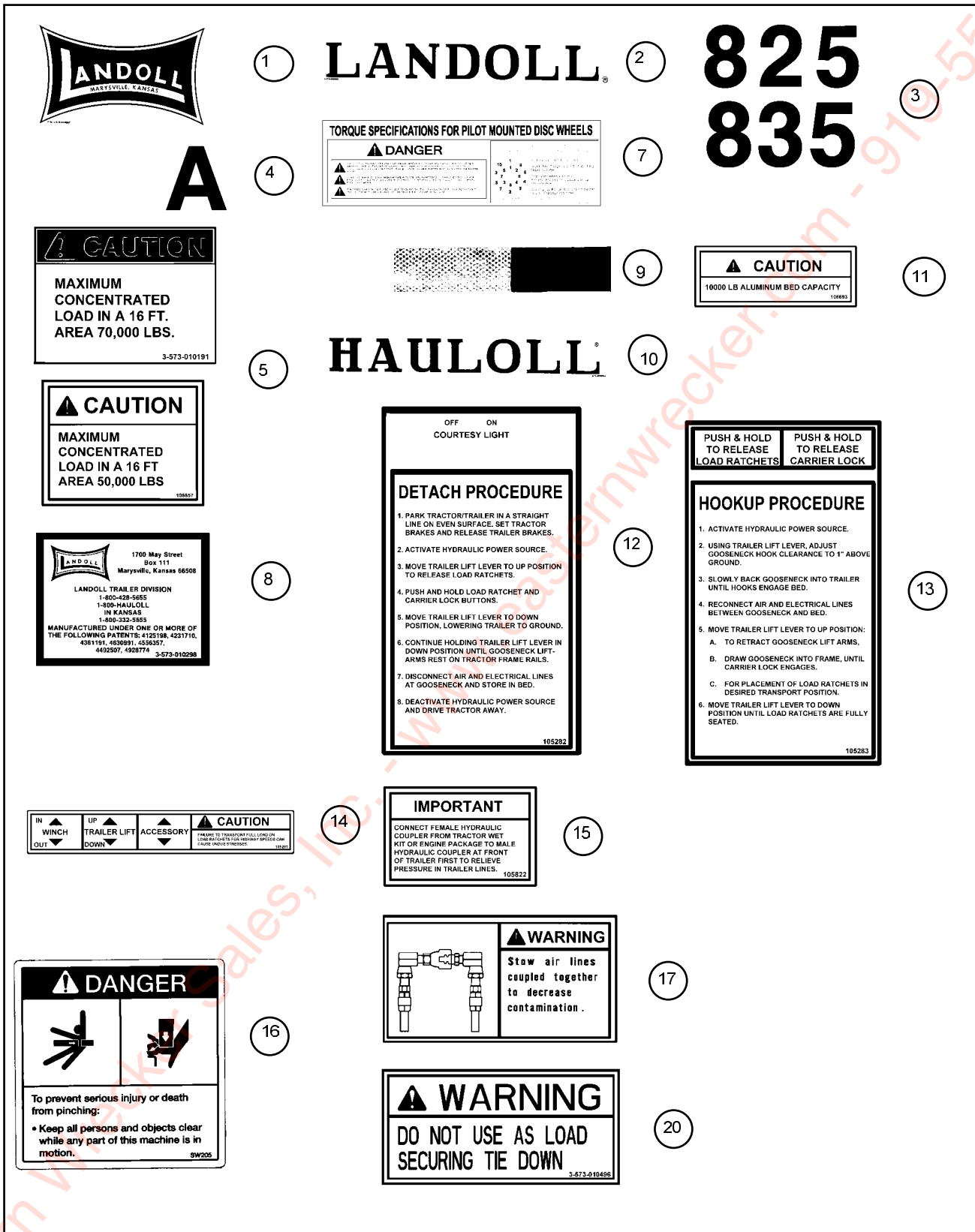


Figure 1-31 Decals

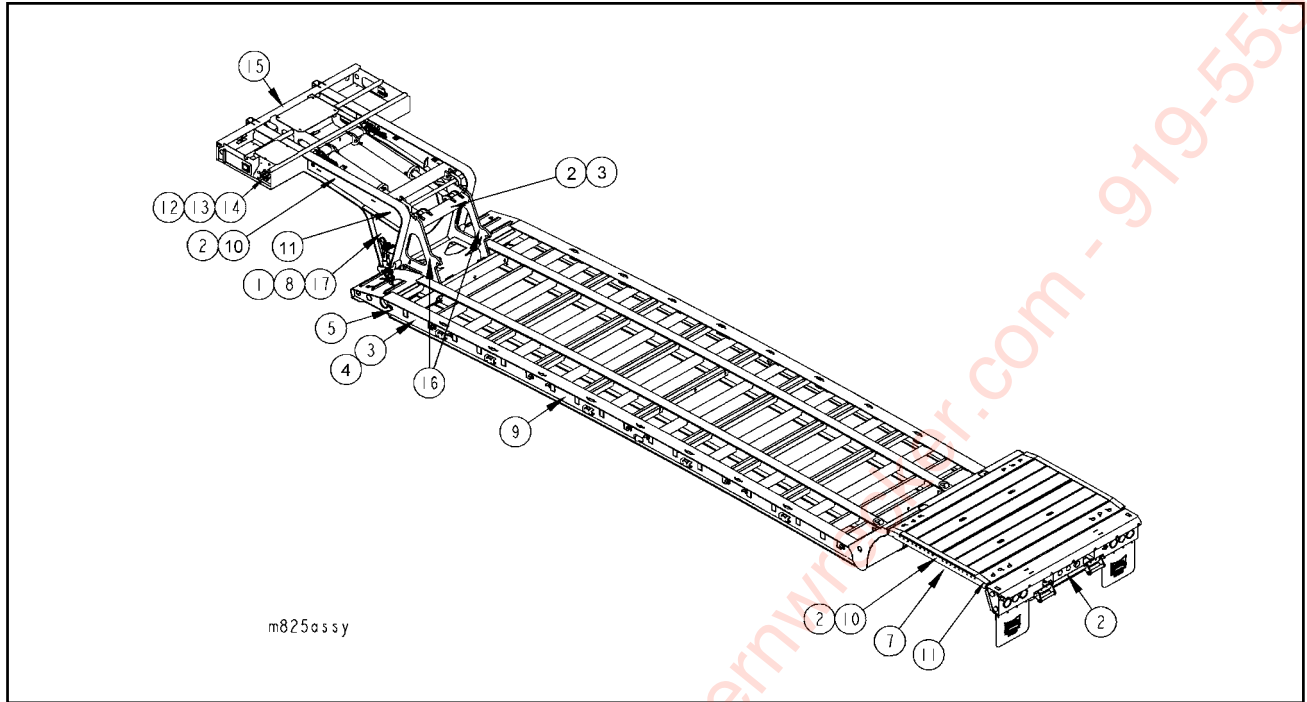


Figure 1-32 Decal Placement

DECAL PLACEMENT

ITEM	PART NO.	DESCRIPTION	QTY.
	105290	DECALS, BLK/LIGHT 825 TRL	
	105291	DECALS, WHT/DARK 825 TRL	
	120681	DECALS, BLK/LIGHT 835 TRL	
	120682	DECALS, WHT/DARK 835 TRL	
1	1-573-010476	DECAL, BOW TIE (BLACK) DC	
	1-573-010480	DECAL, BOW TIE (WHITE) DC	
2	1-573-010477	DECAL, LANDOLL (BLACK) DC	
	1-573-010481	DECAL, LANDOLL (WHITE) DC	
3	105280	DECAL, 825 (BLACK)	
	106658	DECAL, 825 (WHITE)	
	117835	DECAL, 835 (BLACK)	
	120680	DECAL, 835 (WHITE)	
4	114566	DECAL, A 5" (WHITE)	
	114567	DECAL, A 5" (BLACK)	
5	106657	DECAL, CAUTION 50K/16FT CONC.	
	3-573-010191	DECAL, CAUTION 70K/16FT CONC.	
7	3-573-010210	DECAL, TORQUE SPEC 8-10 STUD HUB	
8	3-573-010298	DECAL, PATENT	
9	3-573-010377	DECAL, 2" REFLEXITE TAPE RED/WHITE	
10	1-573-010478	DECAL, HAULLOLL (BLACK)	
	1-573-010482	DECAL, HAULLOLL (WHITE)	
11	106693	DECAL, 10,000 LB. ALUMINUM BED	
12	105282	DECAL, 825 DETACH PROCEDURE	
13	105283	DECAL, 825 HOOKUP PROCEDURE	
14	105281	DECAL, 825 CONTROLS	
15	105822	DECAL, HYDRAULIC COUPLER	
16	2-573-010335	DECAL, DANGER PINCHING	
17	3-573-010338	DECAL, WARNING AIR LINE	
18	3-573-010378012	DECAL, 2 X 12 REFL. WHITE (BULKHEAD)(NOT SHOWN)	
19	3-573-010378010	DECAL, 2 X 10 REFL. WHITE (BULKHEAD)(NOT SHOWN)	
20	3-573-010496	DECAL, WARNING TIE DOWN (FLIP WLDMT) (NOT SHOWN)	

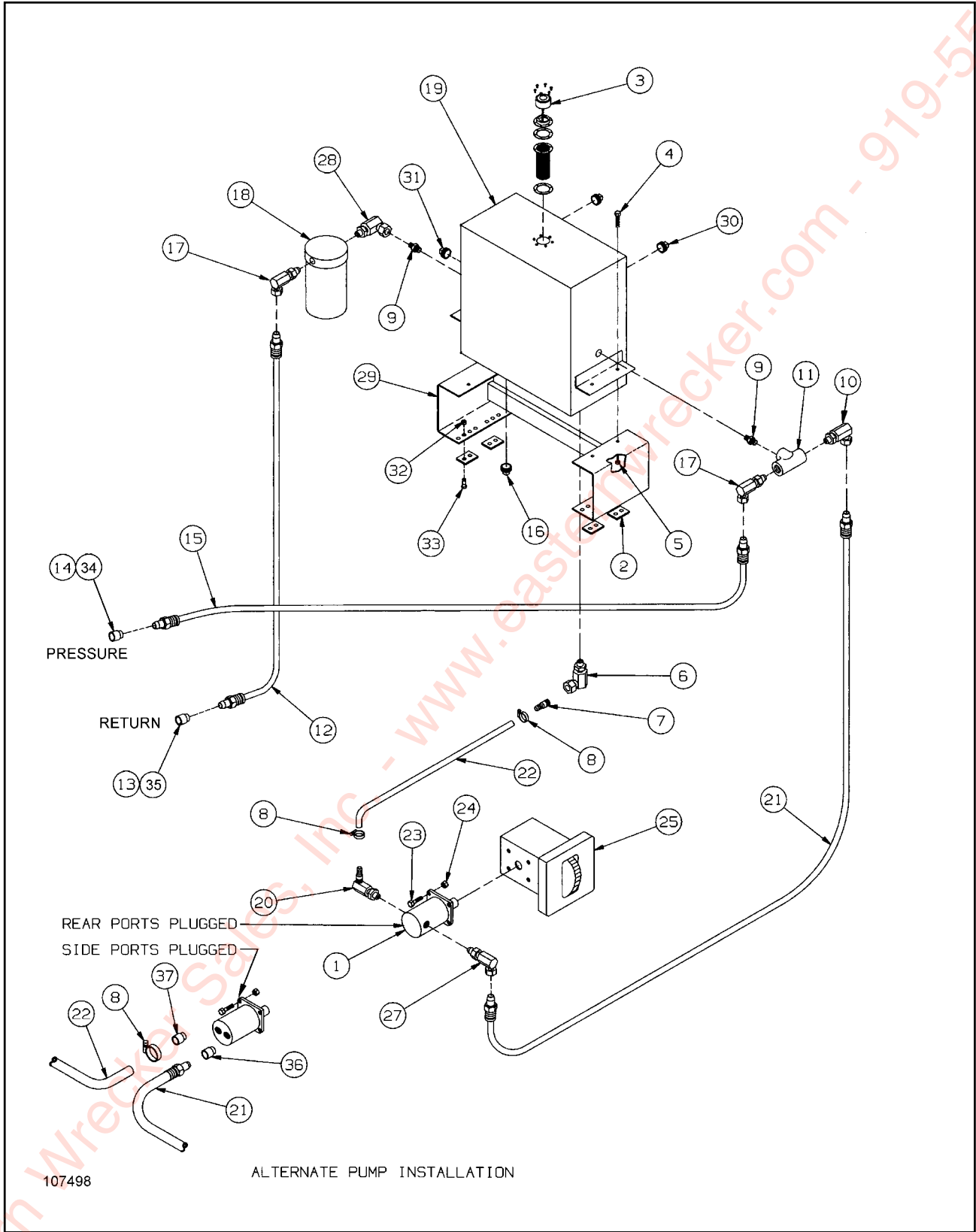


Figure 1-33 Hydraulic Wet Kit Assembly (Option)

HYDRAULIC WET KIT (OPTION)

ITEM	PART NO.	DESCRIPTION	QTY.
	107498	HYDRAULIC WET KIT W/ PTO INSTALLED	
	107499	HYDRAULIC WET KIT W/ PTO NOT INSTALLED	
1	3-591-010001	HYDRAULIC GEAR PUMP (SEE PAGE 1-65)	1
2	3-120-010461	BRACKET, HYDRAULIC TANK MOUNT SUPPORT	4
3	3-162-010001	FILLER, BREATHER STRAINER	1
4	1-654-010051-06	SCREW HEX HEAD CAP 3/8-16 X 1-1/4	4
5	1-512-010005-05	NUT HEX LOCK 3/8-16 GRB	4
6	1-1/4ST ELL	PIPE ELBOW 90	1
7	3-561-010001	HOSE, BARB	1
8	6828	CLAMP, HOSE	2
9	C3069X12	NIPPLE HEX	2
10	2024-12-8S	ADAPTER 90	1
11	125130	RD12D HYDRAULIC BY-PASS SRDD	1
12	106760	HOSE 3/4 X 164	1
13	105479	COUPLER FLAT FACE MALE NOSE	1
14	105480	COUPLER FLAT FACE FEMALE BODY	1
15	106759	HOSE 1/2 X 164	1
16	1-560-010002-07	PLUG, BLACK PIPE	1
17	2024-12-12S	ADAPTER 90	2
18	1-295-010001	FILTER, RETURN	1
19	3-786-010043	TANK HYDRAULIC	1
20	1-007-010006	ELBOW 90	1
21	1-397-010301100	HOSE ASSEMBLY 1/2 X 100	1
22	3-399-010001	HOSE 1-1/4 X 4 SUCTION	8'
23	1-654-010055-03	SCREW HEX HEAD CAP 1/2-13 X 1-1/2	4
24	1-861-010034-13	WASHER SPLIT LOCK 1/2	4
25	PTO	POWER TAKEOFF	1
27	2062-16-8S	ADAPTER 90	1
28	2047-12-12S	ELBOW 90 SWIVEL	1
29	3-482-010503	TANK MOUNT	1
30	1-560-010002-05	PIPE PLUG 3/4	2
31	1-560-010002-04	PIPE PLUG 1/2	1
32	1-512-010005-09	NUT HEX LOCK 1/2-13 GRB	4
33	1-654-010055-04	SCREW HEX HEAD CAP 1/2-13 X 1-1/2	4
34	105482	COUPLER DUST CAP FEMALE	1
35	105481	COUPLER DUST CAP MALE	1
36	12-16_070120	ADAPTER #12 TUBE/ #16 O-RING	1
37	107513	ADAPTER	1

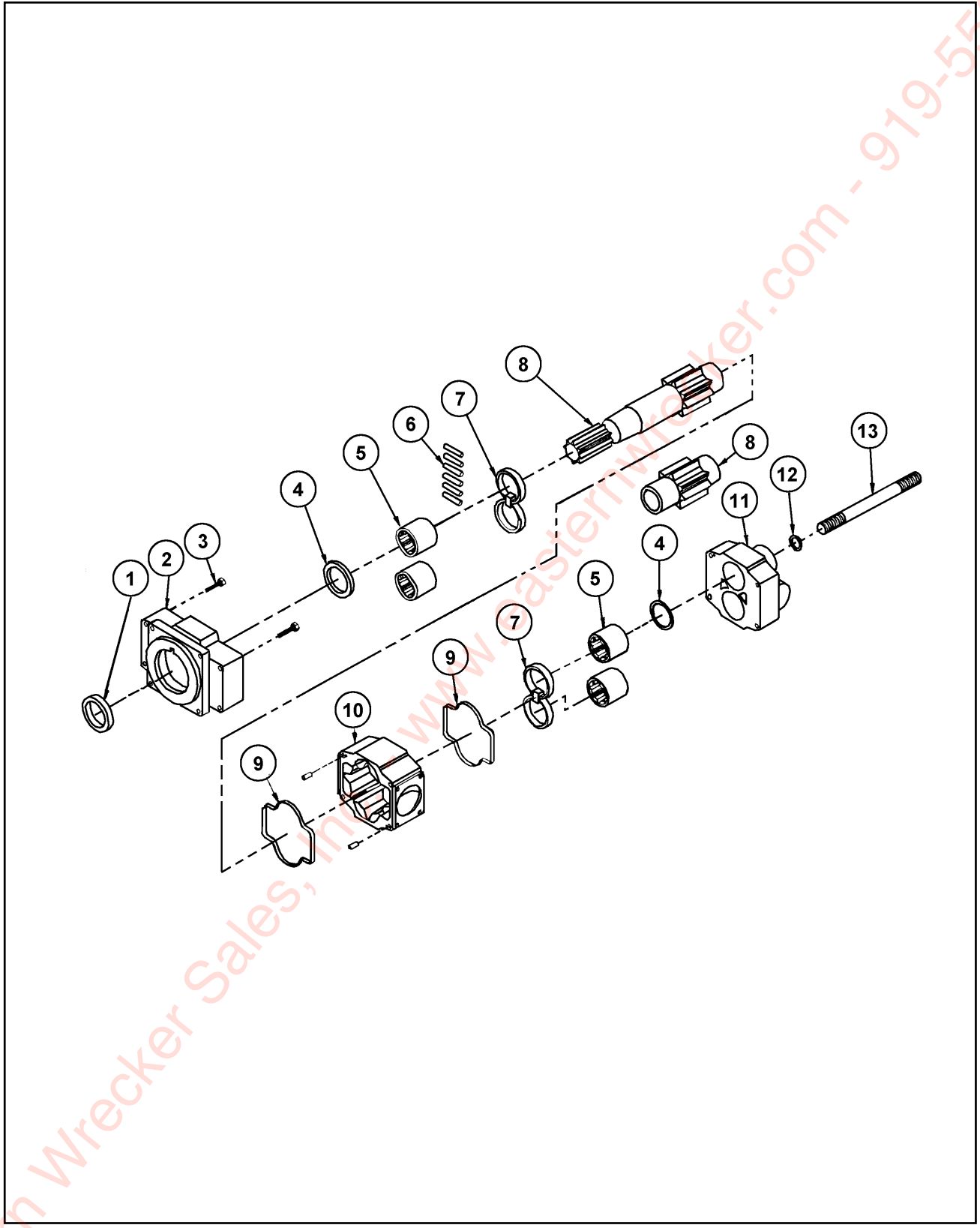


Figure 1-34 Hydraulic Pump, Wet Kit (Option)

HYDRAULIC PUMP, WET KIT (OPTION)

ITEM	PART NO.	DESCRIPTION	QTY.
	3-591-010001	HYDRAULIC PUMP ASSEMBLY	1
1	X73-37-16	SEAL SHAFT	1
2	EB 1685-3	COVER SHAFT END	1
3	M 1391-K	CHECK	2
4	LB 1669-1	SEAL RING	2
5	Y 1032	BEARING ROLLER	4
6	BA 3026-2	STRIP POCKET SEAL	1
7	AA 1058	PLATE THRUST	2
8	BD 1135M-3-17	GEAR SET SHAFT	1
9	UB 3006-242	GASKET HOUSING	2
10	RA 1688-17-64	HOUSING	1
11	XA 1603	PORT END	1
12	X 144-3	WASHER	1
13	X2-25	STUD	1
	391-1802-119	SEAL KIT	

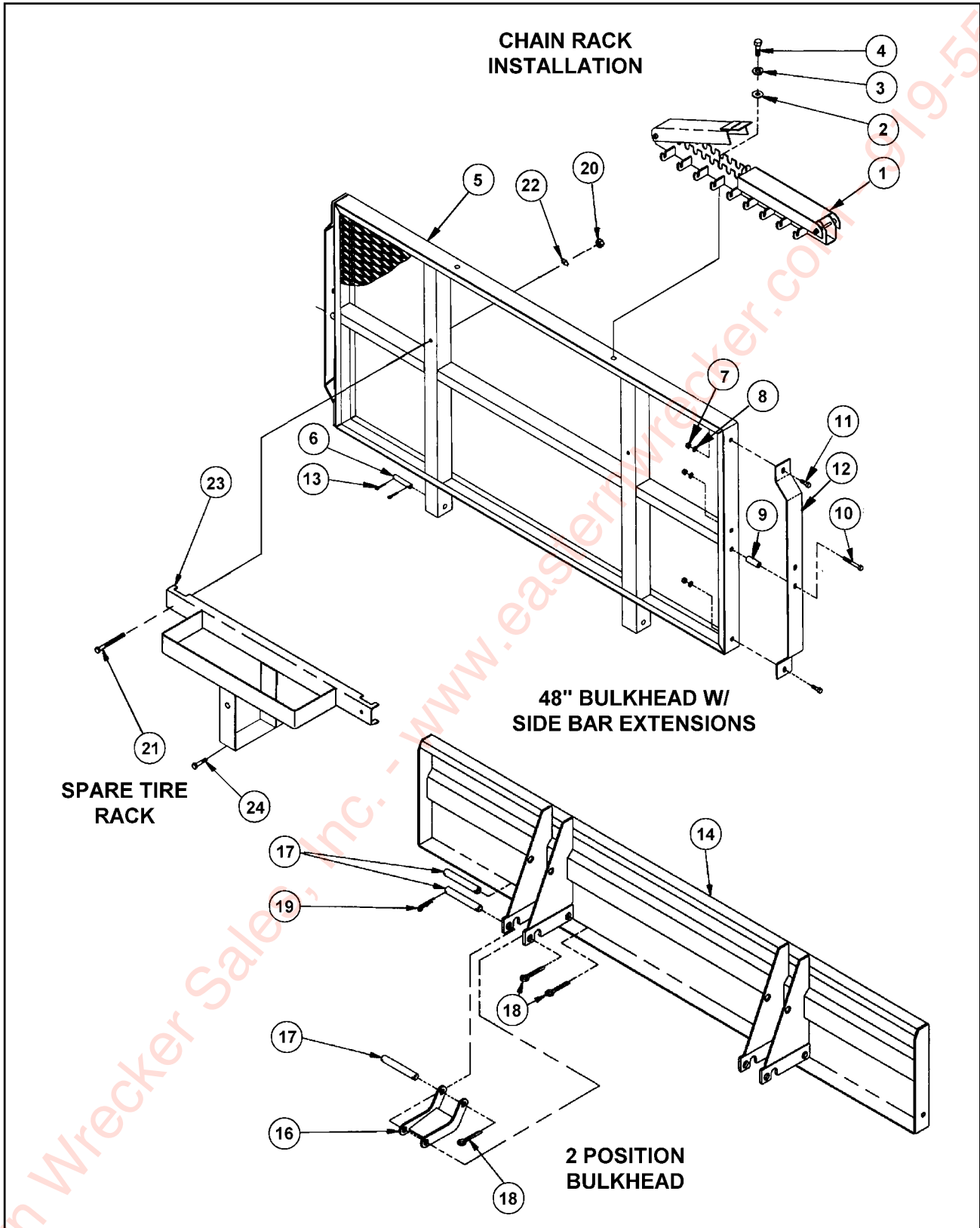
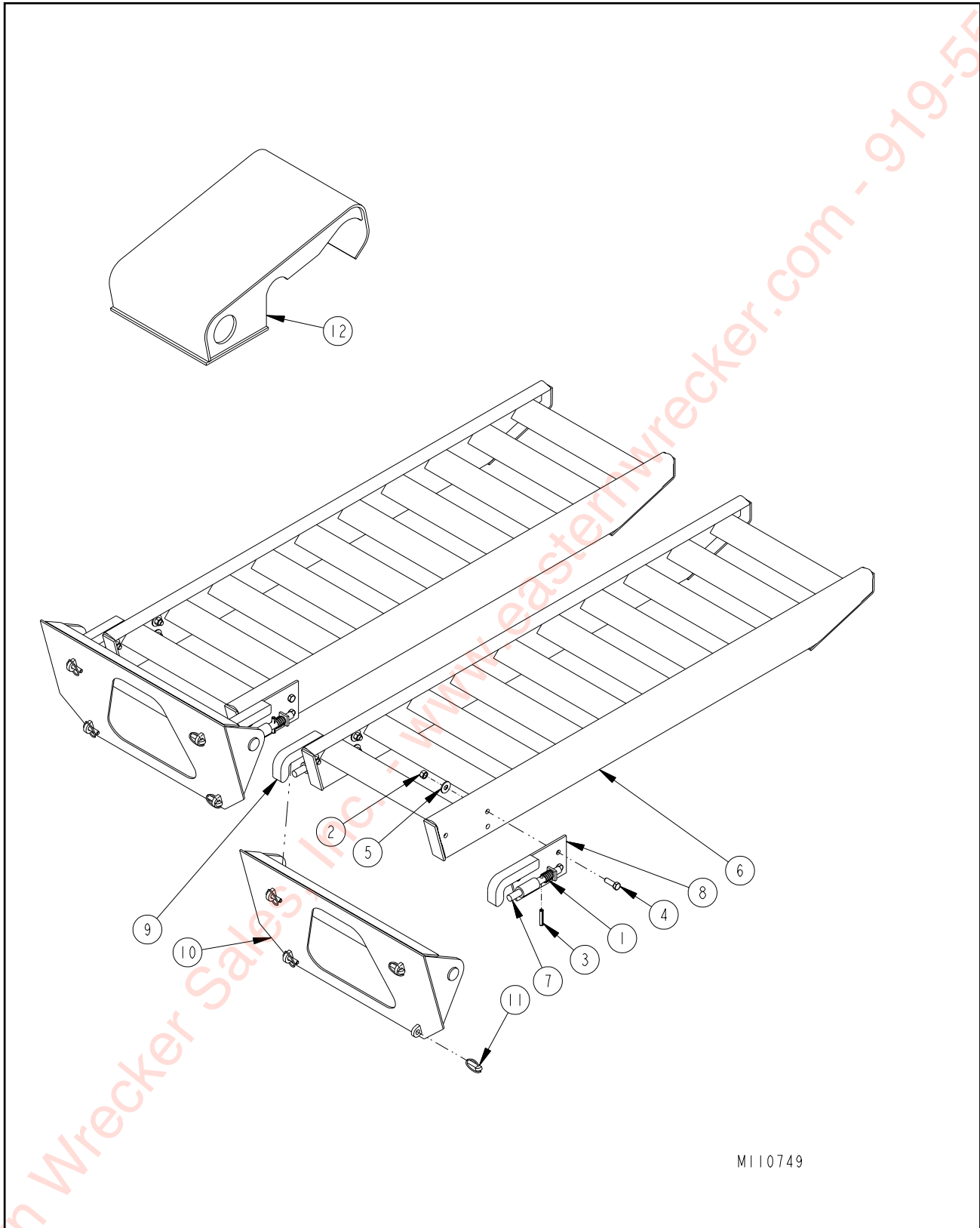


Figure 1-35 Bulkhead and Chain Rack Installation (Option)

BULKHEAD AND CHAIN RACK INSTALLATION(OPTION)

ITEM	PART NO.	DESCRIPTION	QTY.
	B7-141-003	BULKHEAD CHAIN RACK INSTALLATION (ITEMS 1-4)	
	3-141-010121	BULKHEAD INSTALLATION (ITEMS 5-13)	
	3-141-010123	BULKHEAD INSTALLATION 2 POSITION (ITEMS 14-19)	
	112986	RACK INSTALLATION BHD FRT MOUNT (ITEMS 20-24)	
1	3-141-010008	CHAIN HANGER LOCKING CHANNEL WLDMT	1
2	1-861-010032-11	WASHER, FLAT 3/8	1
3	1-861-010034-11	WASHER, SPLIT LOCK 3/8	1
4	1-654-010051-06	SCREW, HEX HEAD CAP 3/8-16 X 1-1/4 GR5	2
5	3-141-010155	BULKHEAD WELDMENT 48 X 96	1
	3-141-010152	BULKHEAD WELDMENT 16 X 102	1
6	6-557-010163	PIN, HITCH LEVEL LINK	2
7	1-512-010005-09	NUT HEX LOCK 1/2-13 GRB	6
8	1-861-010032-15	WASHER FLAT 1/2W	6
9	3-711-010025	SPACER, BULKHEAD 48"	2
10	1-654-010055-13	SCREW HEX CAP 1/2-13 X 4 GR5	2
11	1-654-010055-03	SCREW HEX CAP 1/2-13 X 1-1/2 GR5	4
12	3-054-010101	BAR SIDE, BULKHEAD 48"	2
13	1-557-010362-63	COTTER PIN 1/4 X 2	4
14	3-141-010151	BULKHEAD WELDMENT 16/24 X 102	1
16	3-755-010080	SUPPORT WELDMENT, BULKHEAD	2
17	3-557-010380	PIN SUPPORT, BULKHEAD	6
18	1-557-010362-63	COTTER PIN 1/2 X 2	10
19	1-557-010014	HAIRPIN 1/4	2
20	1-512-010005-09	NUT, HEX LOCK 1/2-13 GRB	3
21	1-654-010055-15	SCREW, HEX HEAD CAP 1/2-13 X 5 GR5	2
22	1-861-010032-15	WASHER, FLAT 1/2W	2
23	112987	RACK WELDMENT, BULKHEAD MOUNT	1
24	1-654-010055-01	SCREW, HEX HEAD CAP 1/2-13 X 1 GR5	1



M110749

Figure 1-36 Ramp Assembly (Option)

RAMP ASSEMBLY (OPTION)

ITEM	PART NO.	DESCRIPTION	QTY.
	110749	RAMP ASSEMBLY 5.5 FT ALUM TRUN	
	110527	RAMP ASSEMBLY 5.5 FT ALUM	
1	CO-975-74-2000	SPRING COMPRESSION	4
2	1-512-010007-09	NUT, HEX 1/2-13	12
3	1-647-010004255	PIN, SPRING, SLOTTED 2 X 3/8	4
4	1-654-010055-03	SCREW, HEX HEAD CAP 1/2-13 X 1-1/2 GR5	12
5	1-861-010032-15	WASHER, FLAT 1/2W	12
6	110526	RAMP WELDMENT 5.5 ALUM	2
7	3-557-010116	LOCK PIN RAMPS	4
8	3-619-010065	LT HOOK WELDMENT	2
9	3-619-010066	RT HOOK WELDMENT	2
10	110742	ANCHOR WELDMENT RAMP SLOPE (110749)	2
11	2-557-010009	PIN, LYNCH (110749)	8
12	105300	RAMP WELDMENT FRONT PULLOUT FILLER	2

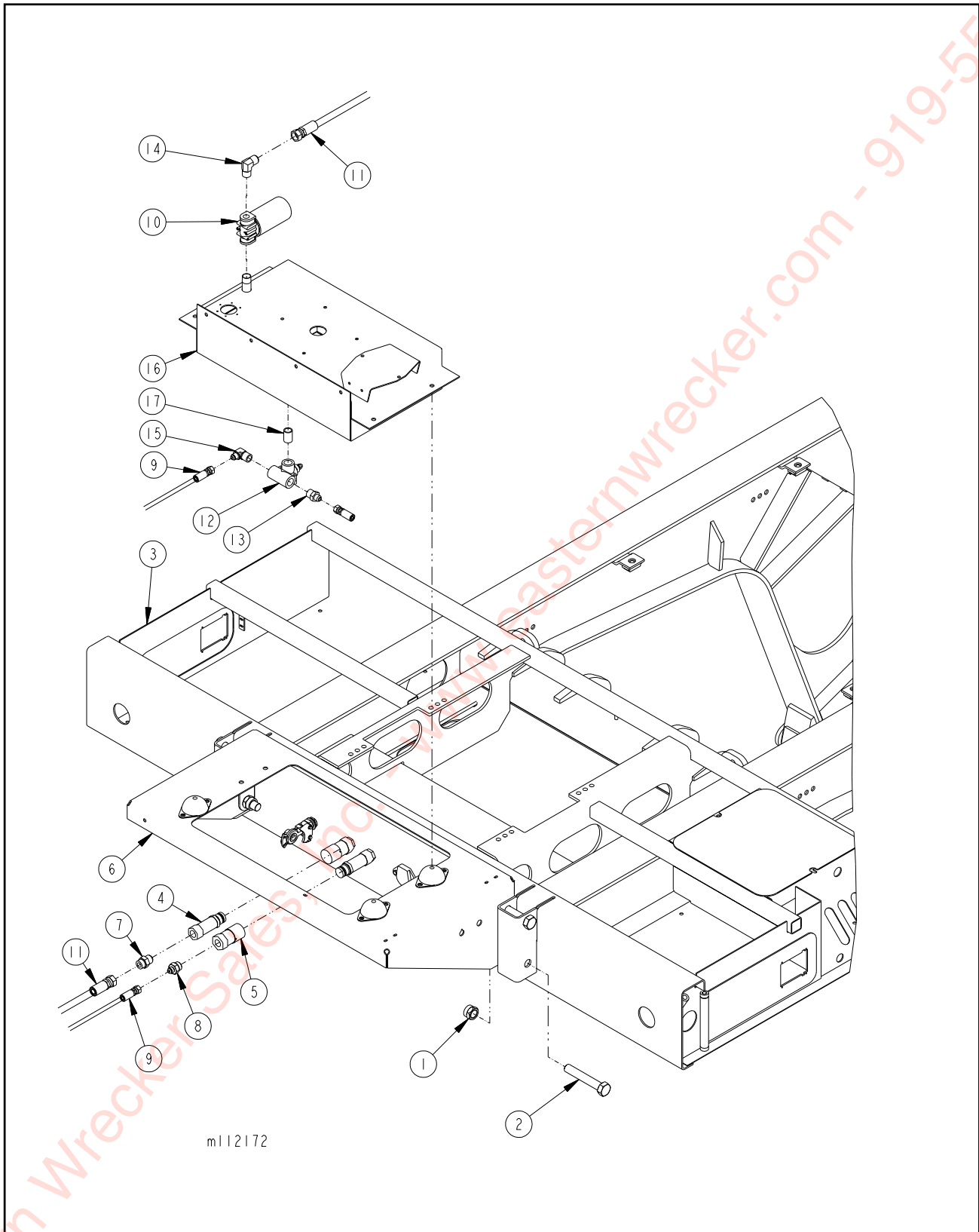


Figure 1-37 Engine Installation Front Mount (Option)

ENGINE INSTALLATION FRONT MOUNT (OPTION)

ITEM	PART NO.	DESCRIPTION	QTY.
	112172	ENGINE INSTALLATION FRONT MOUNT	
1	1-512-010005-19	NUT, HEX LOCK 1-8 GRB	4
2	1-654-010065-17	SCREW, HEX HEAD CAP 1-8 X 6 GR5	4
3	105294	GOOSENECK ASSEMBLY	REF
4	105479	COUPLER FLAT FACE MALE NOSE	1
5	105480	COUPLER FLAT FACE FEMALE BODY	1
6	112184	MOUNT WELDMENT 11 HP FRONT ENGINE	1
7	202702-12-12S	ADAPTER	1
8	202702-12-8S	ADAPTER	1
9	1-397-010301024	HOSE ASSEMBLY 24"	2
10	1-295-010001	RETURN LINE FILTER	REF
11	1-397-010304048	HOSE ASSEMBLY 48"	1
12	125130	VALVE, HYDR PRESSURE RELIEF LW	1
13	2021-12-8S	ADAPTER STRAIGHT	1
14	2024-12-12S	ELBOW 90	REF
15	2024-12-8S	ELBOW 90	1
16	3-786-010033	TANK WELDMENT 5.5 GAL W/ ENG MOUNT	REF
17	3/4NIPPLE	NIPPLE, ALL THREAD 3/4	1
18	3-846-010156	VALVE, RESTRICTOR (NOT SHOWN) (SEE PAGE 1-17)	2

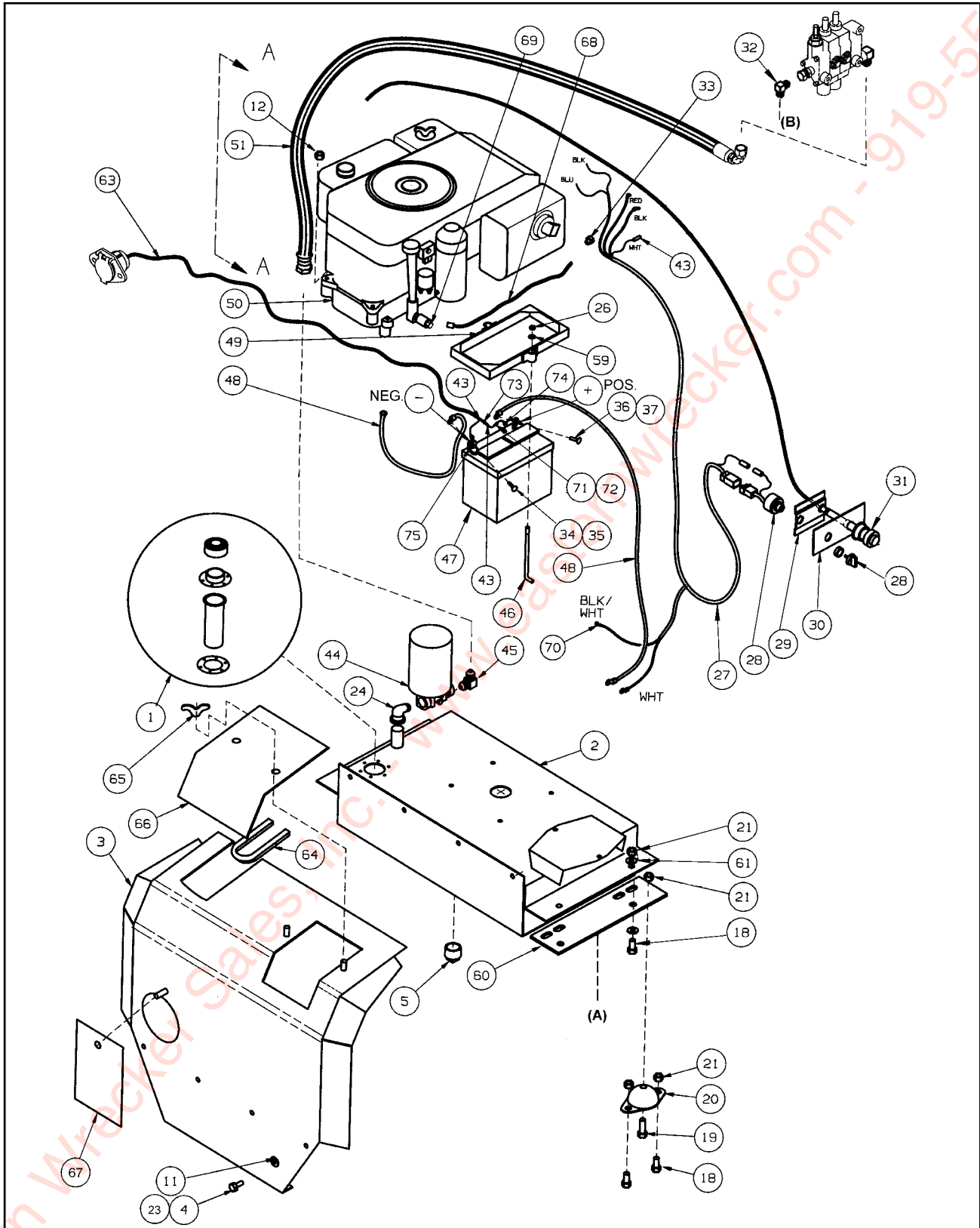


Figure 1-38 42-11 HP Honda Engine Drive Installation (Option)
(1 of 2)

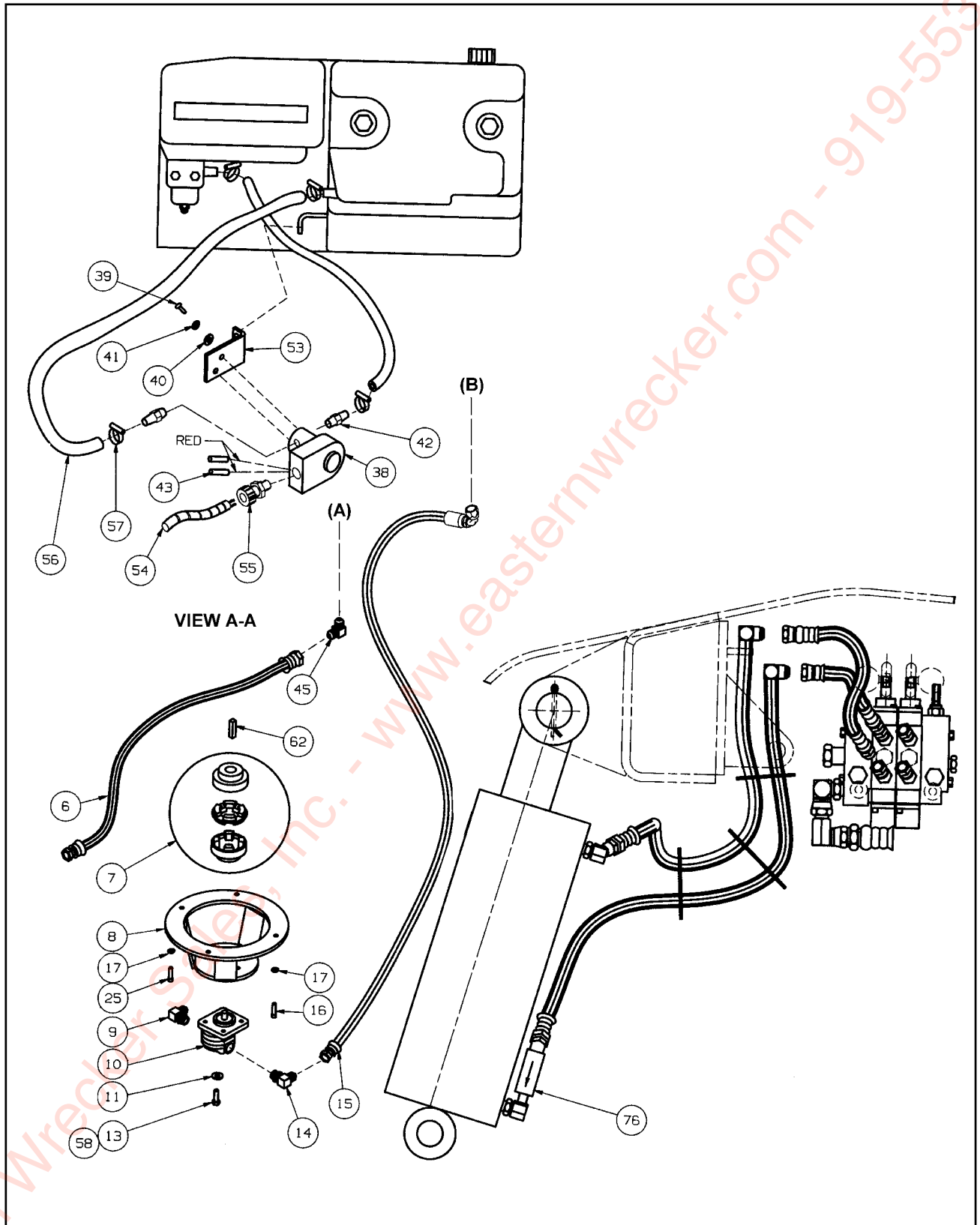


Figure 1-39 42-11 HP Honda Engine Drive Installation (Option)
(2 of 2)

42-11 HP HONDA ENGINE DRIVE INSTALLATION (OPTION)

ITEM	PART NO.	DESCRIPTION	QTY.
	3-410-010912	42-11 HP HONDA ENGINE DRIVE INSTALLATION	
1	3-162-010001	FILLER BREATHER STRAINER ASSEMBLY	1
2	3-786-010037	TANK WELDMENT	1
3	3-681-010069	SHIELD WELDMENT	1
4	1-654-010051-05	SCREW, HEX HEAD CAP 3/8-16 X 1 GR5	4
5	1-560-010002-05	PLUG, PIPE 3/4-14	1
6	1-397-010304016	HOSE ASSEMBLY 16"	1
7	3-220-010010	COUPLING ASSEMBLY	1
8	3-482-010051	PUMP MOUNT WELDMENT	1
9	2062-10-12S	ADAPTER 90	1
10	3-591-010010	PUMP, HYDRAULIC	1
11	1-861-010032-11	WASHER, FLAT 3/8W	8
12	1-512-010005-03	NUT, HEX LOCK 5/16-18	2
13	1-654-010051-06	SCREW, HEX HEAD CAP 3/8-16 X 1-1/4 GR5	4
14	2062-8-8S	ADAPTER 90	1
15	1-397-010302060	HOSE ASSEMBLY 60"	1
16	1-654-010050-07	SCREW, HEX HEAD CAP 5/16 -24 X 1-1/2 GR5	2
17	1-861-010032-09	WASHER, FLAT 5/16	4
18	1-654-010055-01	SCREW, HEX HEAD CAP 1/2-13 X 1 GR5	12
19	1-654-010055-03	SCREW, HEX HEAD CAP 1/2-13 X 1-1/2 GR5	4
20	CA-1595	MACHINE MOUNT 40 DUROMETER	4
21	1-512-010005-09	NUT, HEX LOCK 1/2-13 GRB	16
23	1-512-010005-05	NUT, HEX LOCK 3/8-16 GRB	8
24	1-271-010005-05	ELBOW, STR 3/4	1
25	5/16-18 X 2 HHCS	SCREW, HEX HEAD CAP 5/16-18 X 2 GR5	2
26	1-512-010005-01	NUT, HEX LOCK 1/4-20 GRB	2
27	3-368-010068	HARNESS, WIRING	1
28	3-765-010015	SWITCH ASSEMBLY, STARTER	1
29	3-565-010173	PLATE, CLAMP	1
30	3-565-010172	PLATE MOUNTING ENGINE CONTROLS	1
31	3-155-010012	THROTTLE CABLE	1
32	2071-8-8S	ADAPTER 90	1
33	102-0323	CAP NUT	1
34	1/4-20 X 1-1/4 CB	SCREW, RD HEAD SQ NECK 1/4-20 X 1-1/4	1
35	1-512-010007-05	NUT, HEX 1/4-20	1
36	111-1267	SCREW, RD HEAD SQ NECK 5/16-18 X 1-1/4 GR5	1
37	1-512-010007-06	NUT, HEX 5/16-18	1
38	3-850-010002	FUEL SOLENOID 12V DC	1
39	111-4255	SCREW RD HEAD MACH #10-32 X 5/8	2
40	1-861-010032-03	WASHER, FLAT #10	2
41	1-861-010034-07	WASHER SPLIT LOCK #10	2
42	102-0511	HOSE BARB	2
43	3-272-010021	ELECT. BUTT SPLICE	4
44	1-295-010001	RETURN LINE FILTER	1
45	2024-12-12S	ADAPTER, 90	2
46	3-014-010023	ANCHOR BOLT BATTERY	2
47	1-060-010004	BATTERY	1
48	3-156-010042	CABLE ASSEMBLY	2
49	3-380-010006	HOLD DOWN BATTERY	1
50	3-273-010014	ENGINE, 11HP HONDA	1

42-11 HP HONDA ENGINE DRIVE INSTALLATION (OPTION)

ITEM	PART NO.	DESCRIPTION	QTY.
51	1-397-010305060	HOSE ASSEMBLY 60"	1
52	237-2308-004	GROMMET 1" (NOT SHOWN)	1
53	3-482-010137	MOUNT FUEL SOLENOID	1
54	3-201-010002	CONDUIT, FLEX PLASTIC 3/8	1
55	106-0078	STRAIN RELIEF CONN 1/2	1
56	104-0505	HOSE FUEL LINE	2
57	105-0105	CLAMP, HOSE	4
58	#242 LOCKTITE	LOCKTITE 242	AR
59	1-861-010032-07	WASHER, FLAT 1/4	2
60	3-054-010066	BAR, 4 HOLE MOUNT	2
61	1-861-010032-15	WASHER, FLAT 1/2W	8
62	110-4337	KEY, STEEL	1
63	239-3118	PORTABLE CORD	1'
64	1-822-010002-5	TRIM-LOK 3/16 X 23	1
65	1/4-20WN	WING NUT, 1/4-20	3
66	3-681-010056	COVER, ENG ACCESS	1
67	3-681-010057	COVER, HYD ACCESS	1
68	1-397-010318018	HOSE ASSEMBLY 1/2	1
69	3-007-010042	ADAPTER	1
70	STP-164	BULLET CONNECTOR, FEMALE	1
71	239-4890-3	FUSE, 20A	1
72	231-5153	FUSE HOLDER	1
73	238-6832	DIODE 6 AMP	1
74	239-3646-6	TERMINAL	1
75	239-3646-5	TERMINAL	1
76	3-846-010156	VALVE, RESTRICTOR ONE WAY	2

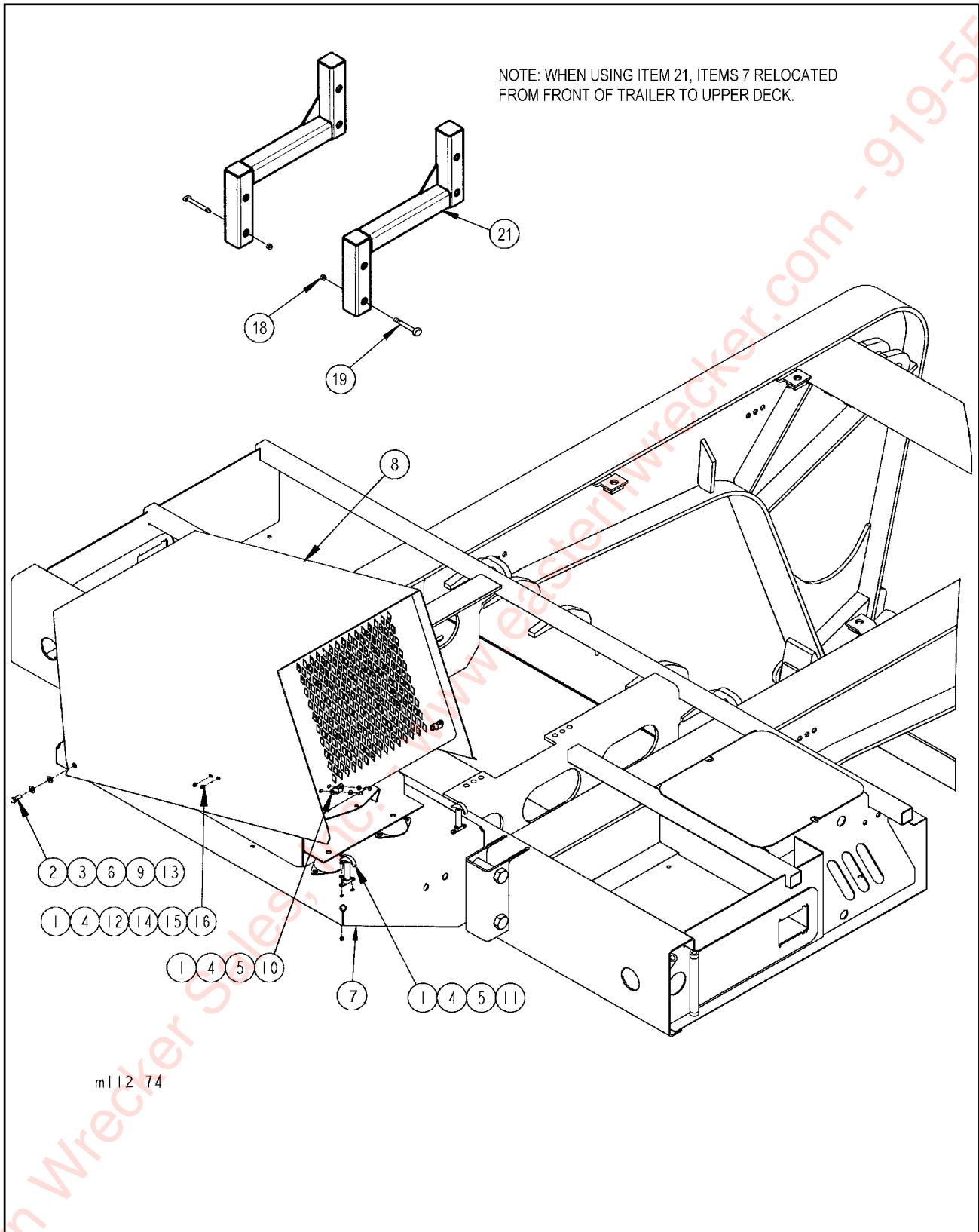


Figure 1-40 Front Mount Engine Cover Installation (Option)

FRONT MOUNT ENGINE COVER INSTALLATION (OPTION)

ITEM	PART NO.	DESCRIPTION	QTY.
	112174	COVER, INSTALLATION 11 HP FRONT MOUNT	
1	1-512-010004-03	NUT, HEX LOCK 10-24 GRA	10
2	1-512-010005-05	NUT, HEX LOCK 3/8-16 GRB	2
3	1-654-010051-05	SCREW, HEX HEAD CAP 3/8-16 X 1 GR5	2
4	1-656-010003051	SCREW, RD HEAD MACH #10-24 X 3/4	10
5	1-861-010032-03	WASHER FLAT #10	10
6	1-861-010032-10	WASHER, FLAT 3/8N	2
7	112172	ENGINE INSTALLATION FRONT MOUNT (SEE PAGE 1-71)	REF
8	112175	COVER WELDMENT 11HP	1
9	112248	NYLON SHOULDER WASHER	4
10	231-4310	BRACKET, LATCHING	2
11	239-4899	LATCH, BATTERY COVER	2
12	1-343-010001	RUBBER GROMMET	1
13	10030	SEAL, BAR STOCK NEOPRENE SPNG	1
14	3-120-010463	BRACKET, HOOD STRAP	1
15	3-153-010024040	CABLE, VINYL COATED 1/8 X 40	1
16	3-182-010034	CLAMP, 1/8 WIRE ROPE	4
	118005	MOUNT KIT, ENG PKG 825 DECK	
17	1-397-010302042	HOSE ASSEMBLY, 1/2 X 42 (NOT SHOWN) (REPLACES ITEM 68 PAGE 1-75)	1
18	1-512-010005-19	NUT, HEX LOCK 1-8 GRB	2
19	1-654-010065-17	SCREW, HEX HEAD CAP 1-8 X 6 GR5	2
20	105276	HOSE ASSEMBLY, 3/4 X 52 (NOT SHOWN) (REPLACES ITEM 6 PAGE 1-74)	1
21	118006	MOUNT WELDMENT ENG PKG 825 DECK	2

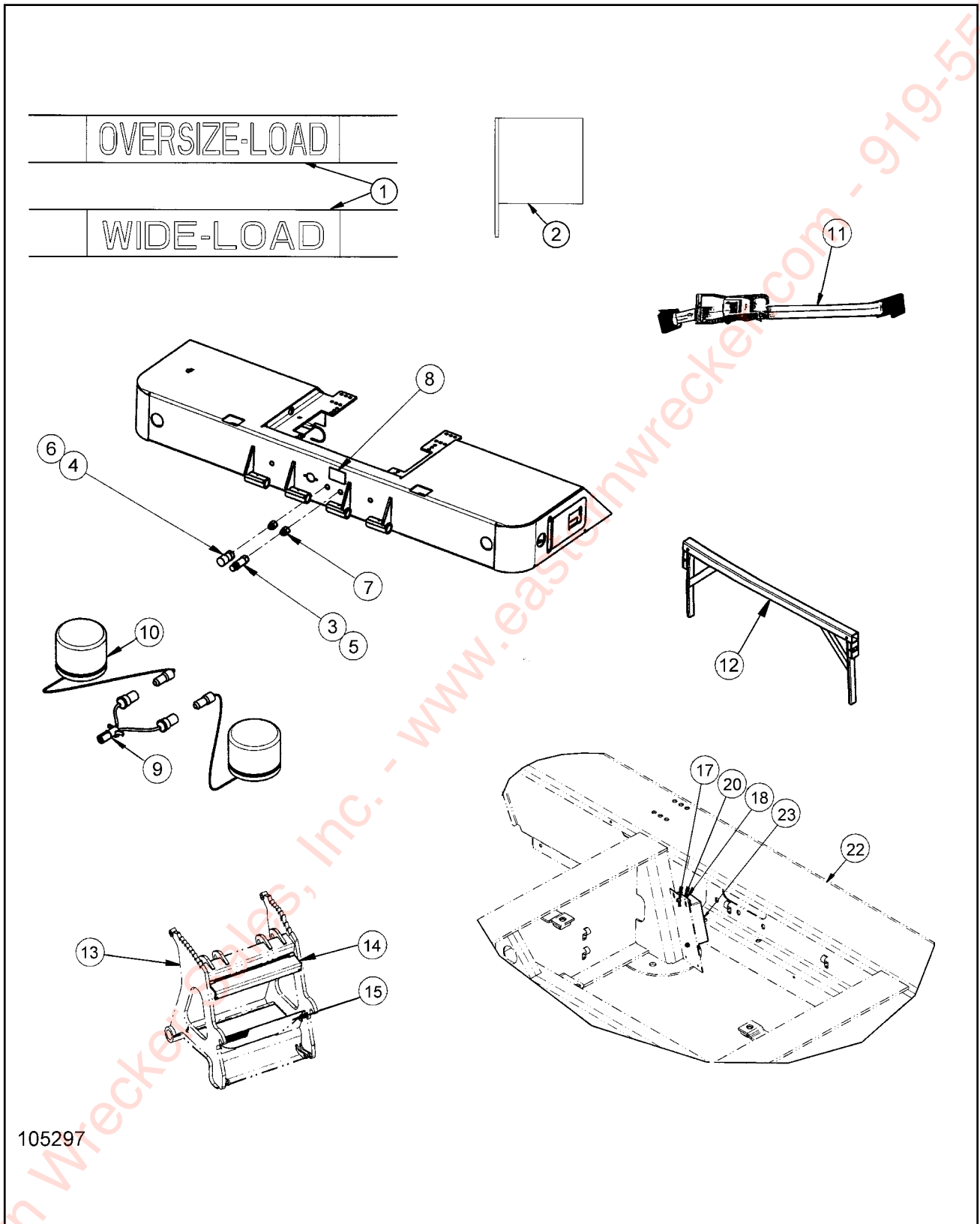


Figure 1-41 Miscellaneous Options

MISCELLANEOUS OPTIONS

ITEM	PART NO.	DESCRIPTION	QTY.
	105297	BANNER/FLAG KIT WIDE/OVS LS	
1	106655	BANNER WIDE/OVERSIZE LOAD	1
2	106654	FLAG, OVERWIDTH	6
	105902	HYDRAULIC CONVERSION KIT, BALL TO FLAT	
3	105479	COUPLER,FLAT FACE MALE NOSE	1
4	105480	COUPLER, FLAT FACE FEMALE NOSE	1
5	105481	COUPLER DUST CAP MALE	1
6	105482	COUPLER DUST CAP FEMALE	1
7	2216-12-12S	INTERNAL PIPE O-RING BOSS	2
8	105822	DECAL HYD COUPLER	1
	105296	LIGHT PACKAGE TWO MAG. STROBES	
9	105288	ELECTRICAL, DC-Y ADAPTER	1
10	106684	STROBE, LIGHT - MAGNETIC BASE	2
11	100696	STRAP, RATCHET ASSEMBLY (NO PARTS BREAKDOWN)	2
12	106694	SUPPORT, HEADER WELDMENT	1
13	105212	CARRIER WELDMENT 825	REF
14	114466	RACK WELDMENT CHAIN/BINDER	1
15	114469	TRAY CHAIN 825 CARRIER	1
	126359	SCALE INSTALLATION, AIR WEIGH	
16	1-395-010001	HOSE, CF FIRE (NOT SHOWN)	
17	1-512-010005-01	NUT, HEX LOCK 1/4-20	
18	1-654-010047-07	SCREW, HEX HEAD CAP 1/4-20 X 1-1/4 GR5	
19	1-796-010003-01	TIE STRAP, PLASTIC (NOT SHOWN)	
20	1-861-010032-07	WASHER, FLAT 1/4W	
21	104043	CONNECTOR (NOT SHOWN)	
22	110744	FRAME WELDMENT	
23	124690	SCALE, AIR DIGITAL	
24	239-3646-5	TERMINAL RING (NOT SHOWN)	

NOTES:

Eastern Wrecker Sales, Inc. - www.easternwrecker.com - 919-553-4038

NUMERICAL INDEX

2

PART	PAGE	PART	PAGE	PART	PAGE
#242 LOCKTITE	75	100600	51	104253	07
005-096-00	31	100696	79	1046	58
005-098-00	31	1-007-010006	63	105-0093	03
005-099-00	31	1-007-010025	15	105-0105	75
005-134-00	31	1-007-010025	17	105098	03
006-114-00	31	10078	53	105098	51
006-115-00	31	10078	56	105099	03
010-052-00	31	100855	03	105099	51
014-056-00	31	101160	45	105190	05
014-058-00	31	1014-4	58	105193	05
014-065-00	31	101845	23	105195	51
014-068-00	31	101848	39	105209	03
021-038-01 (4009)	45	101848	43	105211	03
021500077	19	101851	43	105212	03
024-100-00	31	101852	23	105212	79
034-057-01	31	101855	43	105237	03
034-058-01	31	1019-4	58	105239	03
034-192-08	31	102-0323	74	105241	03
034-193-08	31	102-0511	74	105242	03
040-180-00	31	10205R	23	105243	03
041-058-01	31	10205R	25	105245	03
041-059-01	31	10205Y	23	105257	03
046-096-00	31	1021	58	105272	03
046-097-00	31	102186	51	105274	15
055-040-06	31	102732	09	105274	17
056-017-00	31	102732	11	105275	15
056-018-00	31	102732	33	105275	17
061-006-00	31	103	57	105276	15
062300414	19	103783	45	105276	77
069-078-00	31	103817	37	105277	15
071-122-00	31	103817	39	105280	61
071-124-00 (3067)	45	10403	23	105281	61
072300150	19	10403	25	105282	61
082300208	19	10404	23	105283	61
097-002-00	31	10404	25	105285	03
097-003-00	31	104043	79	105288	79
1/4-20 X 1-1/4 CB	74	104-0505	75	105290	61
1/4-20WN	75	104142	23	105291	61
10030	77	104142	35	105294	03
1004-3	58	104143	23	105294	15
1004-6	58	104150	23	105294	35
100600	51	104252	07	105294	71

PART	PAGE	PART	PAGE	PART	PAGE
105296	79	106694	79	110749	69
105297	79	106759	63	110756	09
105300	69	106760	63	110756	35
105301	51	106908	15	110756	37
105390	47	106908	17	110757	09
105408	27	106943	03	110759	09
105408	29	106945	03	110975(2023—T)	45
105479	15	106961	03	110976(66884)	45
105479	17	107498	63	111010	27
105479	63	107499	63	111021	33
105479	71	107513	63	111030	27
105479	79	107887	35	111031	27
105480	15	107888	03	111033	27
105480	17	108801	35	111033	29
105480	63	108802	35	111034	29
105480	71	108859	07	111035	29
105480	79	1-1/4ST ELL	63	111036	27
105481	15	110-05-099	27	111036	29
105481	17	110-05-104	29	111037	29
105481	63	11011	53	111038	29
105481	79	11014	57	111-1267	74
105482	15	11025	56	11117	53
105482	17	11026	56	11128	53
105482	63	11026	57	11129	53
105482	79	110-4337	75	11130	53
105483	15	110510	03	11133	53
105483	17	110526	69	111382	59
105822	61	110527	69	111390	59
105822	79	110616	27	11142	53
105902	79	110618	09	111-4255	74
1-060-010004	74	110618	11	11144	53
106-0078	75	110618	13	1114-5	58
106611	09	110618	27	1-116-010019	03
106652	23	110620	29	111652	45
106652	25	110622	09	111922	23
106653	23	110622	11	111923	23
106654	79	110622	29	111926	23
106655	79	110742	69	112172	71
106657	61	110743	09	112172	77
106658	61	110744	09	112174	77
106684	79	110744	79	112175	77
106693	61	110745	09	112184	71

PART	PAGE	PART	PAGE	PART	PAGE
112248	77	11441	56	115752	11
112324	47	11442	56	115754	09
112325	47	11445	56	115756	09
112326	47	11446	56	115756	11
11240	53	114466	79	115757	09
112488	29	114469	79	115757	13
112489	29	11449	56	11599	56
112598	07	114566	61	117304	39
112599	07	114567	61	11767	53
112621	07	114584	39	117835	61
112622	07	114584	43	117838	35
112655	07	114587	37	117839	35
112813	17	114587	43	11791	57
112986	67	114588	23	11799	53
112987	67	114588	37	118005	77
113026	07	114588	43	118006	77
113029	07	114590	23	118-2650-6	13
113030	07	114590	43	118-2650-6	41
11308	53	114645	11	118-2659-9	39
11309	56	114652	13	11837	54
11310	56	114700	07	11842	57
113292	29	114700	07	119046	13
11368	53	114701	07	119046	25
11398	57	114701	07	119046	41
11402	56	114702	07	119047	13
11404	56	114702	07	120084	03
11405	56	114703	07	120412	03
11407	56	114704	07	120412	17
11411	56	114712	13	120412	35
11414	56	114723	05	120650	23
11419	56	114724	05	120665	11
11420	56	114726	13	120666	35
11421	56	114730	07	120666	39
11425	56	114730	07	120674	07
11426	57	114741	07	120674	11
11427	56	114742	13	120675	05
11429	56	114742	25	120680	61
11430	56	114742	41	120681	61
11431	56	114743	11	120682	61
11434	56	115717	31	120685	07
11435	57	115722	31	12073	56
11440	56	115752	09	12075	53

PART	PAGE	PART	PAGE	PART	PAGE
120789	11	1-297-010010-01	47	1-384-010038056	35
12146	57	1-297-010010-03	09	1-384-010038060	37
12-16 070120	63	1-297-010010-03	11	1-384-010038060	39
12228	57	1-297-010010-04	09	1-384-010038072	39
12465	56	1-297-010010-04	11	1-384-010038072	41
124690	79	1-297-010010-06	39	1-384-010038084	35
125130	63	1-297-010011-03	49	1-384-010038084	37
125130	71	1-297-010011-04	11	13938	56
126359	79	1-297-010011-04	13	1-395-010001	79
1-271-010005-05	74	1-297-010013-11	09	1-397-010301018	15
12767	57	1-297-010013-11	11	1-397-010301024	15
12780	53	1-297-010013-11	35	1-397-010301024	17
12781	56	1-297-010013-12	11	1-397-010301024	71
12783	56	1-297-010013-12	13	1-397-010301054	17
12817	54	1-297-010013-12	39	1-397-010301100	63
1-295-010001	63	1-297-010013-16	37	1-397-010302042	77
1-295-010001	71	1-297-010013-16	39	1-397-010302060	51
1-295-010001	74	1-297-010015-06	35	1-397-010302060	74
1296	58	1-297-010015-07	37	1-397-010302078	17
1-297-010004-04	35	1-297-010015-07	39	1-397-010304016	74
1-297-010007-05	35	1-297-010018-02	35	1-397-010304025	15
1-297-010007-05	47	1-297-010020-02	35	1-397-010304025	17
1-297-010007-06	35	1-297-010020-02	47	1-397-010304048	71
1-297-010008-05	35	1-297-010022-02	35	1-397-010305060	17
1-297-010008-05	47	1-297-010033-03	35	1-397-010305060	75
1-297-010008-07	09	13005	53	1-397-010318018	75
1-297-010008-07	11	13028	54	15009	23
1-297-010008-07	35	13028	57	15009	25
1-297-010008-07	47	13413	57	1-510-010001	05
1-297-010008-18	13	13424	54	1-510-010001	09
1-297-010008-18	35	13424	57	1-510-010001	11
1-297-010008-18	37	1-343-010001	77	1-510-010001	15
1-297-010008-18	39	13468	53	1-510-010001	17
1-297-010008-20	35	13680	53	1-510-010001	35
1-297-010008-20	35	13839	54	1-510-010001	37
1-297-010008-20	37	1-384-010038024	13	1-510-010001	39
1-297-010008-20	39	1-384-010038024	39	1-512-010003-06	47
1-297-010008-23	39	1-384-010038030	39	1-512-010004-03	77
1-297-010008-24	39	1-384-010038038	13	1-512-010005-01	15
1-297-010008-26	39	1-384-010038042	41	1-512-010005-01	17
1-297-010009-02	47	1-384-010038054	41	1-512-010005-01	23
1-297-010009-03	35	1-384-010038054	41	1-512-010005-01	33

PART	PAGE	PART	PAGE	PART	PAGE
1-512-010005-01	74	1-533-010001	07	1-654-010051-05	29
1-512-010005-01	79	1-557-010014	67	1-654-010051-05	74
1-512-010005-03	23	1-557-010362-63	67	1-654-010051-05	77
1-512-010005-03	47	1-557-010362-63	67	1-654-010051-06	09
1-512-010005-03	47	1-560-010002-03	37	1-654-010051-06	51
1-512-010005-03	74	1-560-010002-03	39	1-654-010051-06	63
1-512-010005-05	03	1-560-010002-04	37	1-654-010051-06	67
1-512-010005-05	13	1-560-010002-04	39	1-654-010051-06	74
1-512-010005-05	35	1-560-010002-04	41	1-654-010051-07	05
1-512-010005-05	37	1-560-010002-04	63	1-654-010051-07	11
1-512-010005-05	39	1-560-010002-05	37	1-654-010051-07	13
1-512-010005-05	41	1-560-010002-05	63	1-654-010051-08	35
1-512-010005-05	51	1-560-010002-05	74	1-654-010051-08	37
1-512-010005-05	63	1-560-010002-07	63	1-654-010051-08	39
1-512-010005-05	74	1-573-010476	61	1-654-010051-08	41
1-512-010005-05	77	1-573-010477	61	1-654-010051-09	15
1-512-010005-09	03	1-573-010478	61	1-654-010051-09	17
1-512-010005-09	07	1-573-010480	61	1-654-010055-01	05
1-512-010005-09	09	1-573-010481	61	1-654-010055-01	67
1-512-010005-09	51	1-573-010482	61	1-654-010055-01	74
1-512-010005-09	51	1-630-010021-01	03	1-654-010055-02	51
1-512-010005-09	59	1644	58	1-654-010055-03	03
1-512-010005-09	63	1-647-010004117	07	1-654-010055-03	07
1-512-010005-09	67	1-647-010004177	07	1-654-010055-03	51
1-512-010005-09	67	1-647-010004221	03	1-654-010055-03	63
1-512-010005-09	74	1-647-010004225	07	1-654-010055-03	67
1-512-010005-13	03	1-647-010004255	69	1-654-010055-03	69
1-512-010005-15	03	1-647-010004259	13	1-654-010055-03	74
1-512-010005-15	27	1-654-010047-04	33	1-654-010055-04	51
1-512-010005-15	29	1-654-010047-06	23	1-654-010055-04	59
1-512-010005-19	71	1-654-010047-07	79	1-654-010055-04	63
1-512-010005-19	77	1-654-010047-08	49	1-654-010055-05	05
1-512-010007-03	03	1-654-010047-10	15	1-654-010055-05	07
1-512-010007-03	23	1-654-010047-10	17	1-654-010055-05	09
1-512-010007-03	25	1-654-010049-03	45	1-654-010055-13	67
1-512-010007-05	23	1-654-010049-05	47	1-654-010055-15	67
1-512-010007-05	74	1-654-010049-06	23	1-654-010055-16	51
1-512-010007-06	74	1-654-010049-06	47	1-654-010055-17	51
1-512-010007-09	27	1-654-010050-07	74	1-654-010061-13	27
1-512-010007-09	29	1-654-010051-05	03	1-654-010061-13	29
1-512-010007-09	69	1-654-010051-05	03	1-654-010065-17	71
1-512-010007-11	03	1-654-010051-05	27	1-654-010065-17	77

PART	PAGE	PART	PAGE	PART	PAGE
1-654-010070-13	07	1-822-010002-5	75	1-861-010032-15	67
1655	58	1-833-010001	09	1-861-010032-15	69
1-656-010003051	03	1-833-010001	11	1-861-010032-15	75
1-656-010003051	23	1-833-010001	35	1-861-010032-19	03
1-656-010003051	25	1-833-010001	47	1-861-010032-21	03
1-656-010003051	47	1-833-010001	49	1-861-010034-07	03
1-656-010003051	77	1-833-010002	09	1-861-010034-07	23
167-0022	07	1-833-010002	11	1-861-010034-07	25
1-796-010001	35	1-833-010002	13	1-861-010034-07	74
1-796-010001	37	1-833-010002	35	1-861-010034-09	23
1-796-010001	39	1-833-010002	37	1-861-010034-09	49
1-796-010003-01	41	1-833-010002	39	1-861-010034-10	45
1-796-010003-01	79	1-833-010003	37	1-861-010034-11	03
179933	45	1-833-010003	39	1-861-010034-11	67
18002	54	1-861-010032-03	74	1-861-010034-13	05
18002	57	1-861-010032-03	77	1-861-010034-13	27
18003	53	1-861-010032-04	03	1-861-010034-13	29
18003	57	1-861-010032-06	49	1-861-010034-13	51
18009	53	1-861-010032-07	23	1-861-010034-13	63
18009	56	1-861-010032-07	75	1-861-010059-21	17
18015	53	1-861-010032-07	79	1865	58
18016	53	1-861-010032-09	23	19014	56
18019	53	1-861-010032-09	47	19045	53
18020	53	1-861-010032-09	74	19045	56
18022	56	1-861-010032-10	51	1A0290	21
18024	53	1-861-010032-10	77	1A0291	21
18026	53	1-861-010032-11	03	1A0292	21
18027	53	1-861-010032-11	05	1A0294	21
18028	53	1-861-010032-11	11	1A0709	21
18029	53	1-861-010032-11	13	1A0711	21
18030	53	1-861-010032-11	37	1A0744	21
18032	53	1-861-010032-11	39	1A0757	21
18033	56	1-861-010032-11	41	1R0017	21
18034	56	1-861-010032-11	67	1V0081	21
18035	56	1-861-010032-11	74	1V0208	21
18039	53	1-861-010032-14	05	1V1701	21
18044	54	1-861-010032-15	05	1V1703	21
18047	53	1-861-010032-15	07	1V1725	21
18047	56	1-861-010032-15	09	2021-12-12S	15
18056	54	1-861-010032-15	51	2021-12-12S	17
18078	53	1-861-010032-15	51	2021-12-8S	71
18078	53	1-861-010032-15	67	2024-12-12S	63

PART	PAGE	PART	PAGE	PART	PAGE
2024-12-12S	71	220000853	19	239-4890-3	75
2024-12-12S	74	22055	56	239-4899	77
2024-12-8S	15	2216-12-12S	79	24032	53
2024-12-8S	17	223333218	19	2480	58
2024-12-8S	63	223333701	19	2-557-010009	69
2024-12-8S	71	2263	58	2-573-010335	61
202702-10-8S	51	2265-6	58	262300011	19
202702-12-12S	71	22695	57	2-720-010002	03
202702-12-8S	71	22697	57	2-720-010003	03
203102-12-12S	15	22703	53	28942	56
203102-12-12S	17	22703	57	28943	56
2033-8-8S	15	22704	54	2A0079-404	21
2033-8-8S	17	22704	57	2A0079-406	21
2047-12-12S	63	22729	57	2A0293-7214	21
2061-8-8S	15	22752	53	2A0354-121	21
2061-8-8S	17	22775	53	2A293-7214	21
2061-8-8S	51	22775	56	2V0010	21
2062-10-12S	74	23078	54	3/4NIPPLE	71
2062-12-12S	15	23078	57	3/4X1/2BUSH	37
2062-12-12S	17	23079	54	3-007-010042	75
2062-16-8S	63	23081	54	3-014-010023	74
2062-8-8S	74	23081	57	3-054-010066	75
2071-8-8S	74	23083	54	3-054-010101	67
2081-8-6S	35	23085	54	3-120-010461	63
2083-6-6S	11	23142	57	3-120-010463	77
2083-6-6S	39	231-4310	77	3-141-010008	67
2083-8-4S	09	23144	57	3-141-010121	67
2083-8-4S	11	231-5153	75	3-141-010123	67
2083-8-8S	37	23183	57	3-141-010151	67
2083-8-8S	39	23245	57	3-141-010152	67
2088-6-6S	35	23303	53	3-141-010155	67
2109-3	58	23310	57	3-153-010024040	77
2175	58	23353	54	3-155-010012	74
2177	58	23353	57	3-155-010017-4	51
2180	58	23367	56	3-155-010018-6	51
2-181-010001	15	23470	53	3-156-010042	74
2-181-010001	17	237-2308-004	75	3-162-010001	63
2-181-010001	35	238-6832	75	3-162-010001	74
2183	58	239-3118	75	3-174-010038	51
21925	53	239-3646-5	75	3-174-010039036	51
21961	53	239-3646-5	79	3-182-010034	77
21965	57	239-3646-6	75	3-201-010002	23

PART	PAGE	PART	PAGE	PART	PAGE
3-201-010002	25	3-565-010173	74	3-850-010002	74
3-201-010002	39	3-573-010191	61	3-870-010106	45
3-201-010002	75	3-573-010210	61	3-870-010110	45
3-220-010004	11	3-573-010298	61	3-870-010116	45
3-220-010004	39	3-573-010299	51	3-873-010122	51
3-220-010005	13	3-573-010338	61	3-873-010122	53
3-220-010005	41	3-573-010377	61	3-873-010123	51
3-220-010010	74	3-573-010378010	61	3-873-010123	56
3-238-010007	35	3-573-010378012	61	3-873-010124	51
3-242-010183	15	3-573-010496	61	3-873-010126-2	51
3-242-010183	17	3-591-010001	63	3-873-010129-2	51
3-242-010183	19	3-591-010001	65	391-1802-119	65
3-272-010003	23	3-591-010010	74	40001Y	23
3-272-010021	74	3-619-010065	69	40001Y	25
3-273-010014	74	3-619-010066	69	40002R	23
3-368-010057	23	36407	35	40002R	25
3-368-010068	74	3-659-010012	45	4Z4306	21
3-368-010069	25	3-681-010056	75	5/16-18 X 2 HHCS	74
3-380-010006	74	3-681-010057	75	516-22PTL	13
3-384-010020	37	3-681-010069	74	5210	03
3-395-010001	23	3-711-010025	67	55B61	35
3-395-010001	25	3-720-010010	51	55B61-6	35
3-399-010001	63	3-720-010075	03	55B61-7	35
3-410-010912	74	3-755-010080	67	56D4	37
3-443-010010	03	3-762-010017	11	56D4	39
3-446-010046	23	3-762-010017	13	56D4	41
3-481-010006	51	3-762-010612	49	59S-7	23
3-481-010006	58	3-765-010015	74	59W-2-3	23
3-481-010007	51	3-780-010002	37	60215Y	23
3-481-010007	58	3-780-010002	39	60700	23
3-482-010051	74	3-780-010002	41	6-557-010163	67
3-482-010137	75	3-786-010033	71	6828	63
3-482-010307	03	3-786-010037	74	750-029	23
3-482-010503	63	3-786-010043	63	758-181	37
3-485-010001	09	3-793-010040	59	758-181	39
3-485-010001	11	3-846-010008	15	7HCGHT500	51
3-485-010001	13	3-846-010008	17	805-2	37
3-557-010116	69	3-846-010008	21	805-2	39
3-557-010375	07	3-846-010156	15	805-2	41
3-557-010380	67	3-846-010156	17	81006	53
3-561-010001	63	3-846-010156	71	81009	53
3-565-010172	74	3-846-010156	75	81025	53

PART	PAGE	PART	PAGE
81077	56	B7-141-003	67
81078	56	B7-762-159	49
81080	56	BA 3026-2	65
81081	56	BD 1135M-3-17	65
81082	56	BSL-6-4	03
81530	53	C3069X12	63
88005	57	CA-1595	74
900 54 007	33	CO-975-74-2000	69
90008186	29	D-2H16	31
900-44-162	27	EB 1685-3	65
900-44-162	29	F-332-___	03
900-44-206	47	HM212011	45
900-54-079	47	HM212049	45
900-54-082	47	HM218210	45
900-54-088	47	HM218248	45
900-54-211	47	K71-135-00	31
900-54-280	47	K71-136-00	31
905 54 107	33	K71-138-00	31
905-08-019	27	LB 1669-1	65
905-08-238	27	M 1391-K	65
905-54-107	35	M110AB-4	58
934-00-149	27	M110C-1	58
934-00-149	29	PA-2328-2	58
934-00-498	27	PMCK-22000	19
934-00-498	29	PTO	63
934-00-506	27	RA 1688-17-64	65
934-00-506	29	RRRCF502X1.75	29
936-00-077	27	STP-164	75
936-00-077	29	TR545D	45
936-00-162	27	TR573	45
936-00-162	29	UB 3006-242	65
941 00 119	33	X 144-3	65
941 00 466	33	X2-25	65
941-00-590	27	X73-37-16	65
941-00-648	27	XA 1603	65
941-00-684	27	Y 1032	65
941-00-685	27		
94100687	29		
94100790	29		
941-00-832	27		
941-00-832	29		
AA 1058	65		

