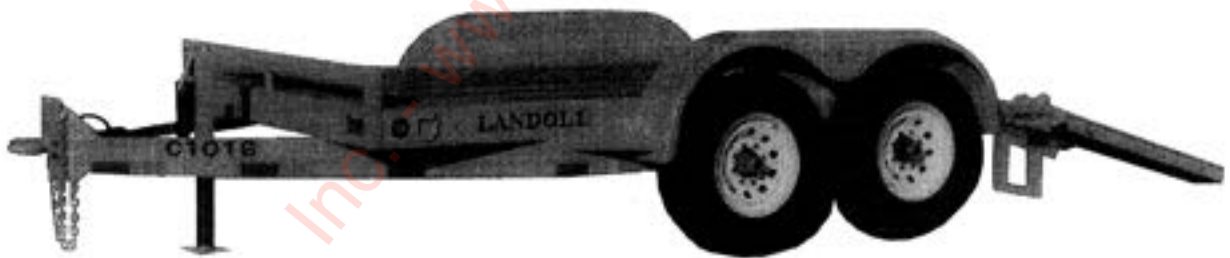




**MODEL C816 & C1016
TAG TRAILER
PARTS LIST**



**1900 NORTH STREET
MARYSVILLE, KS 66508
(785)562-5381**

ILLUSTRATED PARTS LIST

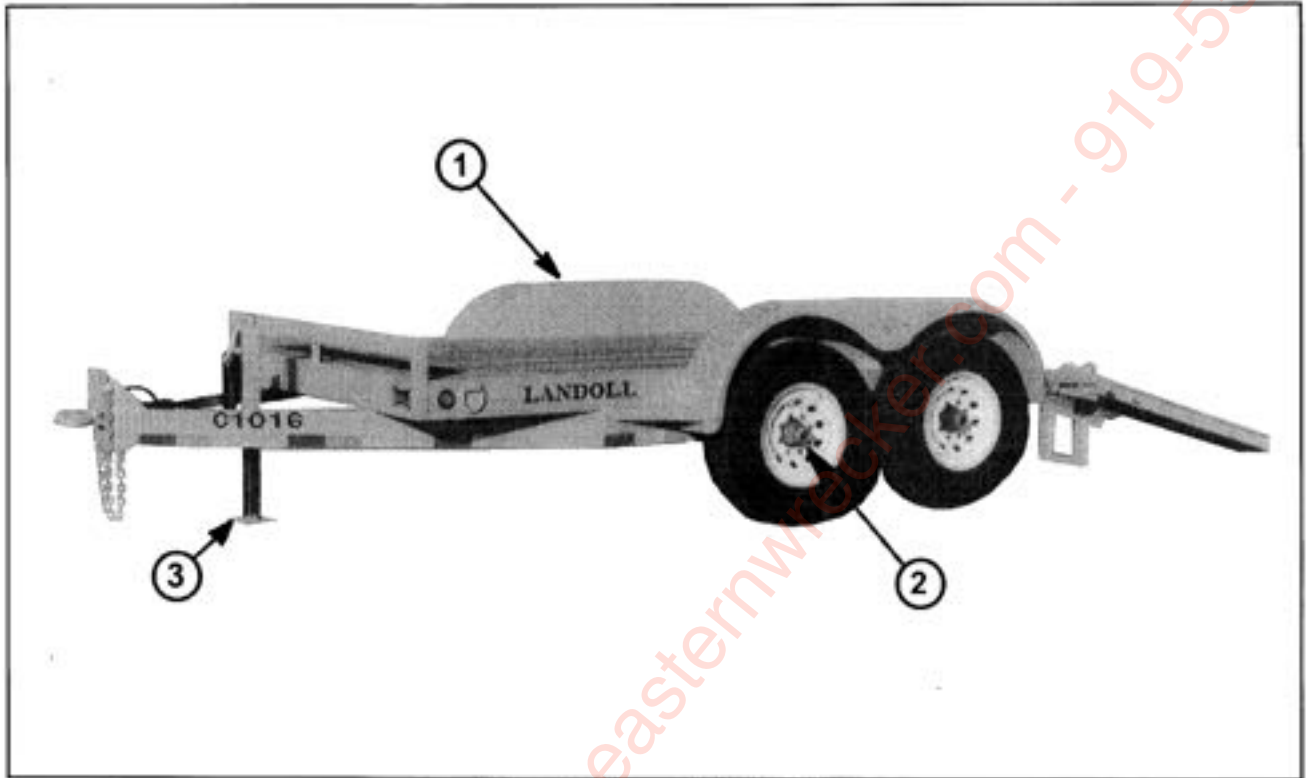


Figure 1-1 General Assembly

GENERAL ASSEMBLY

ITEM	PART NO./PAGE NO.	DESCRIPTION	QTY.
1	1-2 - 1-3	TRAILER PART NUMBERS	1
2	1-4 - 1-7	AXLE ASSEMBLY	1
3	1-8	JACK STAND ASSEMBLY	1

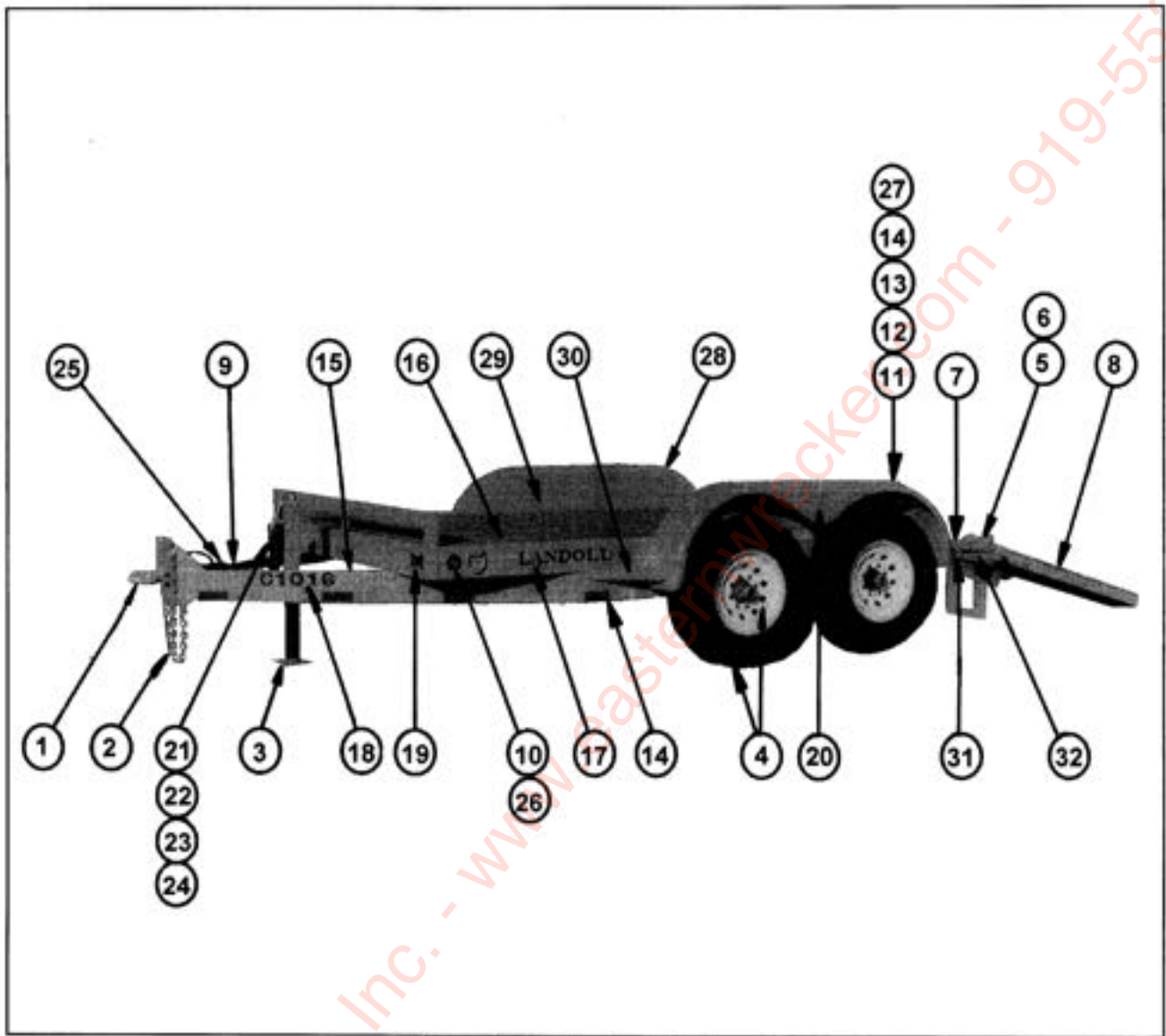


Figure 1-2 Trailer Part Numbers

TRAILER PART NUMBERS

ITEM	PART NO.	DESCRIPTION	QTY.
1	3-375-010624	HITCH 3" PINTLE EYE	1
	3-375-010625	HITCH 2-5/16 BALL RECEIVER (OPTION)	1
2	106357	CHAIN 3/8 SAFETY W/ HOOK X 32" LONG	2
3	106386	JACK 7000 LB 15" DROP LEG - 190500 (SEE PAGE 1-8)	1
4	107106	TIRE ST 225/75R15 (C8)	4
	106358	RIM, STEEL 15X6-6 BOLT (C8)	4
	TR416	VALVE STEM TUBELESS TIRE (C8)	4
	107111	TIRE LT 235/85R16 10 PLY (C10)	4
	105579	RIM, STEEL 16X6-8 BOLT (C10)	4
	TR416	VALVE STEM TUBELESS TIRE (C10)	4
5	106360	PIN RAMPS 1" DIA X 33-1/2" LONG	2
6	100634	PIN HAIR 5/32	2

TRAILER PART NUMBERS

ITEM	PART NO.	DESCRIPTION	QTY.
7	106362	BAR, RAMP SUPPORT 3/8 X 2 X 26 W/ 24" HOLE CENTERS	2
8	107909	RAMP 5' C SERIES - LADDER TYPE	2
9	107215	BRAKE BREAK-AWAY KIT 2026	1
	106372	BATTERY 12 VOLT SEALED 2023	1
	106373	BRAKE BREAK-AWAY SWITCH 2010	1
	106374	BRAKE BATTERY BOX 2018	
10	106366	LIGHT YELLOW CLEARANCE 2" RD 146A	4
11	106367	LIGHT RED CLEARANCE 2" RD 146R	7
12	106368	LIGHT TURN TAIL-STOP 421R	2
13	106369	LIGHT TAG W/ BRACKET 436B	1
14	3-573-010377	DECAL 2" REFLEXITE TAPE	AR
15	107910	WIRING HARNESS MAIN C816, C1016	1
16	RWD 39017	WOOD 2" CCA TREATED PINE	AR
17	1-573-010477	DECAL - LANDOLL (BLACK)	4
	1-573-010481	DECAL - LANDOLL (WHITE)	4
18	107058	DECAL - C816 (BLACK)	2
	107068	DECAL - C1016 (BLACK)	2
	107306	DECAL - C816 (WHITE)	2
	107305	DECAL - C1016 (WHITE)	2
19	1-573-010007	DECAL - LANDOLL BOW TIE (BLACK)	4
	1-573-010017	DECAL - LANDOLL (WHITE)	4
20	1-573-010475	DECAL - L (BLACK) DC	2
	1-573-010479	DECAL - L (WHITE) DC	2
21	1-116-010019	BOX MANUAL STORAGE	1
22	105-0093	HOSE CLAMP 4-1/2 IDEAL #5264	1
23	F-285	MANUAL, TAG C08 AND C10 SERIES OPERATOR'S	1
24	107482	MANUAL, AXLES	1
25	102393	HARNESS, FRONT C816, C1016 W/ 6 POLE PLUG	1
26	106387	GROMMET, 2RD FOR CLEARANCE LIGHT 146-18K	11
27	106371	LIGHT TURN-TAIL-STOP W/ GROMMET 421KR	2
28	107035	FENDER (NOT PAINTED)	
29	107036	FENDER BACK (NOT PAINTED)	
30	107037	BRACE FENDER RH (NOT PAINTED) (PASSENGER'S FRONT AND DRIVER'S REAR)	
31	107038	BRACE FENDER LH (NOT PAINTED) (DRIVER'S FRONT AND PASSENGER'S REAR)	
32	107140	D-RING 5/8 X 3 X 3 WELD-ON	AR

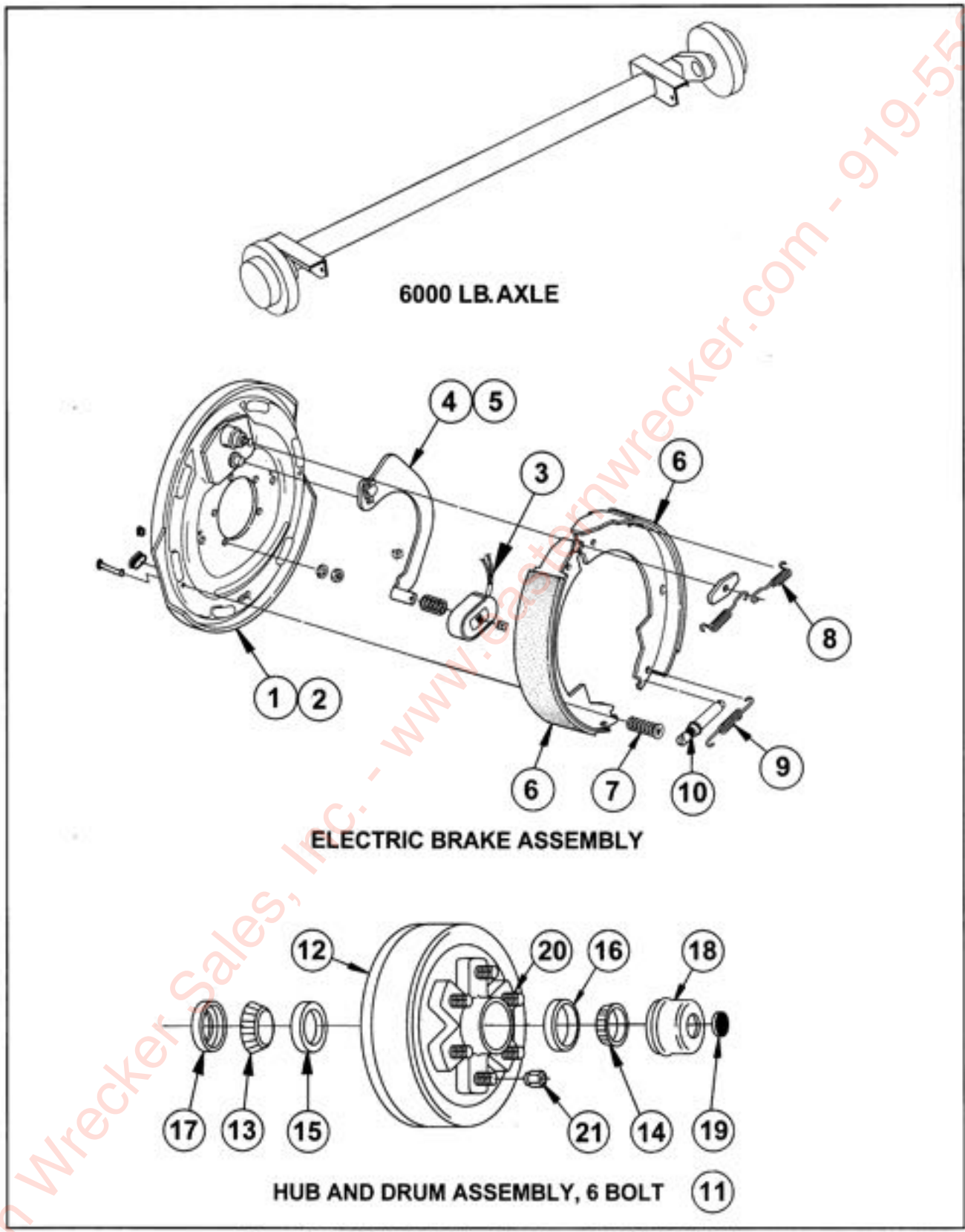


Figure 1-3 6000# E-Z Lube Axle Assy 6 Bolt (C8 TRL)

6000 LB. E-Z LUBE AXLE ASSEMBLY - 6 BOLT

ITEM	PART NO.	DESCRIPTION	QTY.
	107908	AXLE 6000 LB. E-Z LUBE - 6 BOLT	
		12 X 2" ELECTRIC BRAKE ASSEMBLIES	
1	106323	LEFT BRAKE	
2	106324	RIGHT BRAKE	
3	106412	MAGNET KIT (WHITE), W/ PROT. WIRE SLEEVE	
4	106326	ACTUATING ARM, LH	
5	106327	ACTUATING ARM, RH	
6	106328	SHOE AND LINING (ONE WHEEL)	
7	106329	SHOE HOLD DOWN SPRING	
8	106331	SHOE RETURN SPRING, DUAL RETURN (PKG OF 2)	
9	106332	ADJUSTER SPRINGS	
10	106333	ADJUSTER	
		HUB AND DRUM ASSEMBLY	
11	106311	HUB AND DRUM ASSEMBLY 6 BOLT, 5.5" BOLT CIRCLE	
12	106312	HUB AND DRUM 5.5" BOLT CIRCLE	
13	106313	INNER BEARING	
14	106314	OUTER BEARING	
15	106315	INNER RACE	
16	106316	OUTER RACE	
17	106317	GREASE SEAL FOR E-Z LUBE	
18	106318	GREASE CAP FOR E-Z LUBE	
19	106355	GREASE CAP PLUG FOR E-Z LUBE	
20	106319	DRIVE-IN STUD, 1/2 DIA	
21	106320	1/2 CONE WHEEL NUT	

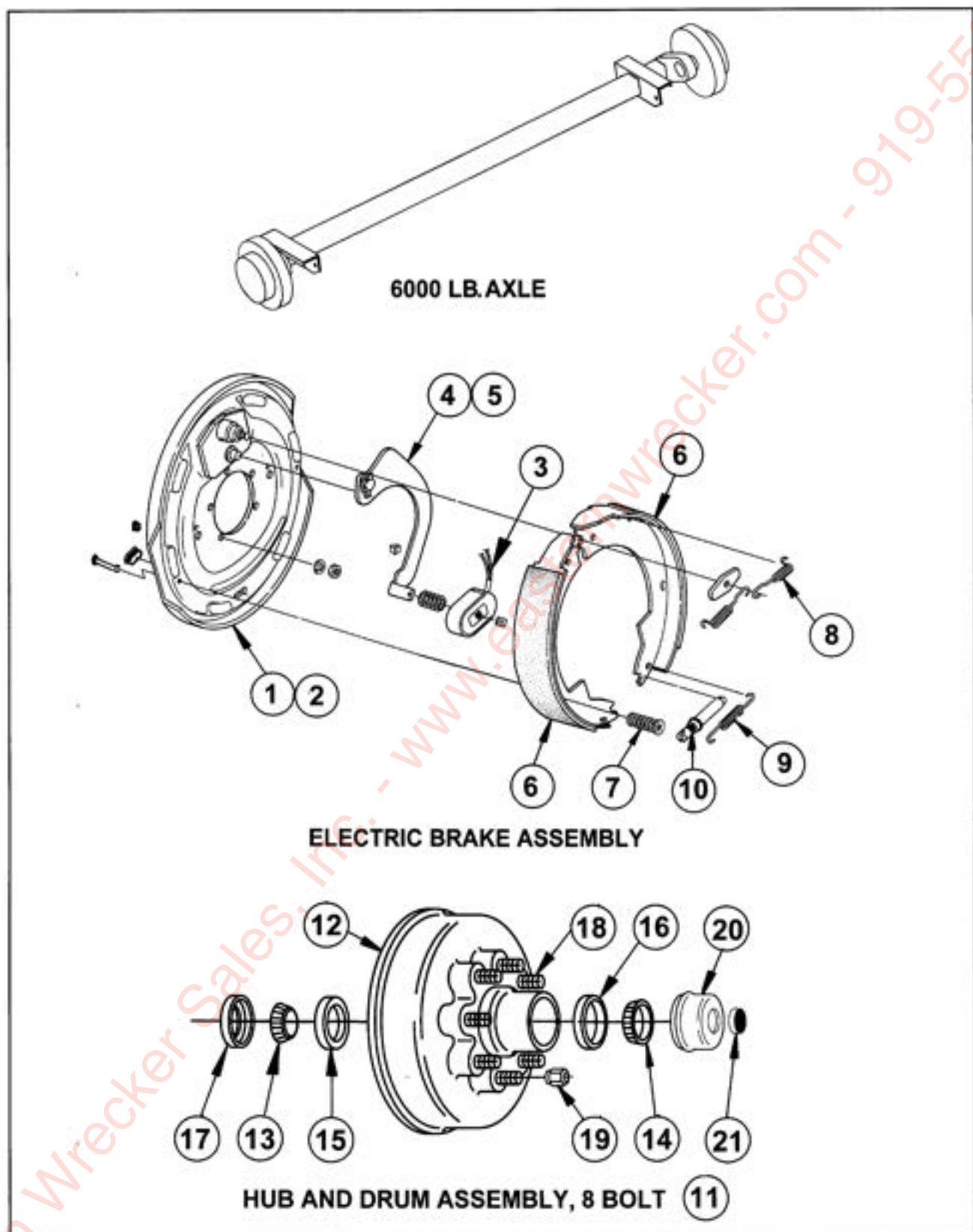


Figure 1-4 6000# E-Z Lube Axle Assy 8 Bolt (C10 TRL)

6000 LB. E-Z LUBE AXLE ASSEMBLY - 8 BOLT

ITEM	PART NO.	DESCRIPTION	QTY.
	107907	AXLE 6000 LB. E-Z LUBE - 8 BOLT	
		12 X 2" ELECTRIC BRAKE ASSEMBLIES	
1	106323	LEFT BRAKE	
2	106324	RIGHT BRAKE	
3	106412	MAGNET KIT (WHITE), W/ PROT. WIRE SLEEVE	
4	106326	ACTUATING ARM, LH	
5	106327	ACTUATING ARM, RH	
6	106328	SHOE AND LINING (ONE WHEEL)	
7	106329	SHOE HOLD DOWN SPRING	
8	106331	SHOE RETURN SPRING, DUAL RETURN (PKG OF 2)	
9	106332	ADJUSTER SPRINGS	
10	106333	ADJUSTER	
		HUB AND DRUM ASSEMBLY	
11	106334	HUB AND DRUM ASSEMBLY 8 BOLT, 6.5" BOLT CIRCLE	
12	106335	HUB AND DRUM W/ 2-1/8" I.D. SEAL	
13	106336	INNER BEARING	
14	106337	OUTER BEARING	
15	106338	INNER RACE	
16	106339	OUTER RACE	
17	106340	GREASE SEAL FOR E-Z LUBE & OIL BATH	
18	106341	DRIVE-IN STUD, 1/2 DIA	
19	106342	1/2 CONE WHEEL NUT	
20	106343	GREASE CAP FOR E-Z LUBE	
21	106344	GREASE CAP PLUG FOR E-Z LUBE	

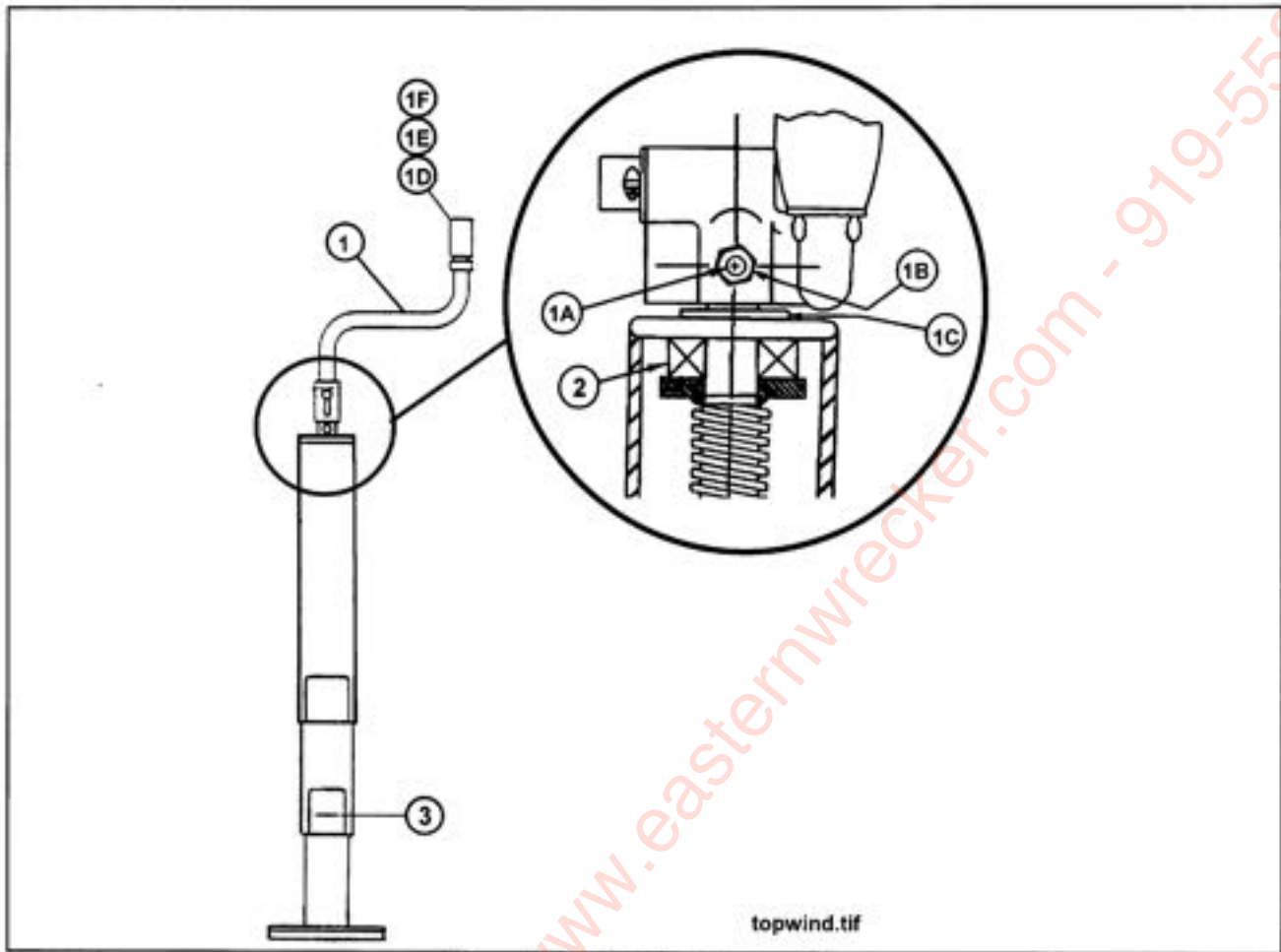


Figure 1-5 Jack Stand Assembly

JACK STAND ASSEMBLY

ITEM	PART NO.	DESCRIPTION	QTY.
	106386	JACK 7000 LB. TOP CRANK DROP LEG 15IN LIFT (HAMMERBLOW P/N 190500)	
1	108677	CRANK ASSEMBLY 7K, (HAMMERBLOW P/N 500148) (INCLUDES ITEMS 1A THRU 1F)	1
1A	002006	5/16 X 1-1/2 PLATED GRADE 5 HEX HEAD BOLT	1
1B	008012	5/16 PLATED LOCK NUT	1
1C	016015	3/4 PLATED O.D. WASHER	1
1D	007001	BLACK PLASTIC HANDLE	1
1E	015900	1/2 PLATED PALNUT	1
1F	015912	1/2 PLATED I.D. X 7/8 O.D. WASHER	1
2	108678	BEARING KIT 7K, (HAMMERBLOW P/N 700634) INCLUDES THE FOLLOWING ITEMS: BEARING THRUST BEARING INSERT BUSHING	1
3	700263	9/16 PLATED DROP LEG PULL PIN ASSEMBLY (STD)	1

NOTES:

Eastern Wrecker Sales, Inc. - www.easternwrecker.com - 919-553-4038

NUMERICAL INDEX

<u>PART</u>	<u>PAGE</u>	<u>PART</u>	<u>PAGE</u>	<u>PART</u>	<u>PAGE</u>
1-116-010019	03	106342	07	7001	08
1-573-010007	03	106343	07	700263	08
1-573-010017	03	106344	07	8012	08
1-573-010475	03	106355	05	F-285	03
1-573-010477	03	106357	02	RWD 39017	03
1-573-010479	03	106358	02	TR416	02
1-573-010481	03	106360	02	TR416	02
100634	02	106362	03		
102393	03	106366	03		
105-0093	03	106367	03		
105579	02	106368	03		
106311	05	106369	03		
106312	05	106371	03		
106313	05	106372	03		
106314	05	106373	03		
106315	05	106374	03		
106316	05	106386	02		
106317	05	106386	08		
106318	05	106387	03		
106319	05	106412	05		
106320	05	106412	07		
106323	05	107035	03		
106323	07	107036	03		
106324	05	107037	03		
106324	07	107038	03		
106326	05	107058	03		
106326	07	107068	03		
106327	05	107106	02		
106327	07	107111	02		
106328	05	107140	03		
106328	07	107215	03		
106329	05	107305	03		
106329	07	107306	03		
106331	05	107482	03		
106331	07	107907	07		
106332	05	107908	05		
106332	07	107909	03		
106333	05	107910	03		
106333	07	108677	08		
106334	07	108678	08		
106335	07	15900	08		
106336	07	15912	08		
106337	07	16015	08		
106338	07	2006	08		
106339	07	3-375-010624	02		
106340	07	3-375-010625	02		
106341	07	3-573-010377	03		

