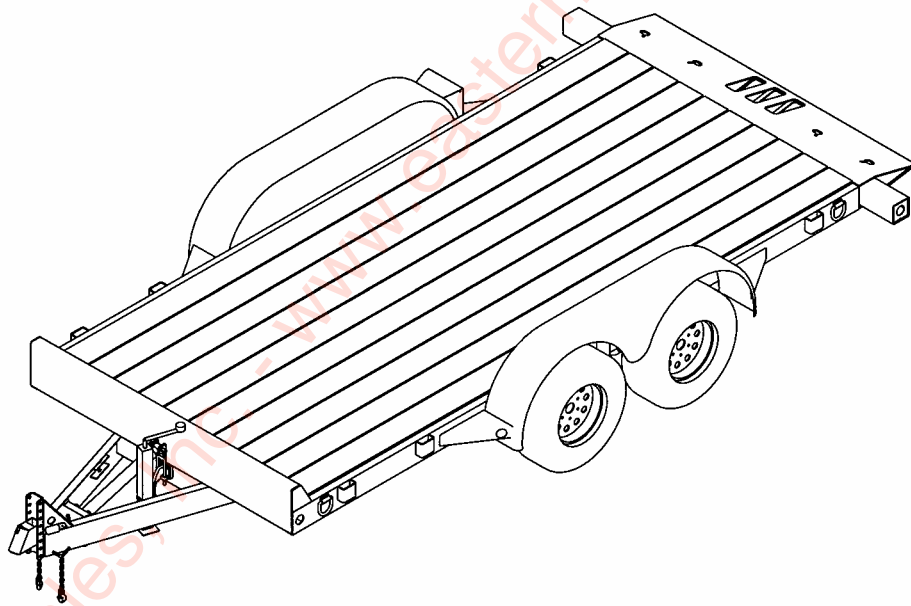




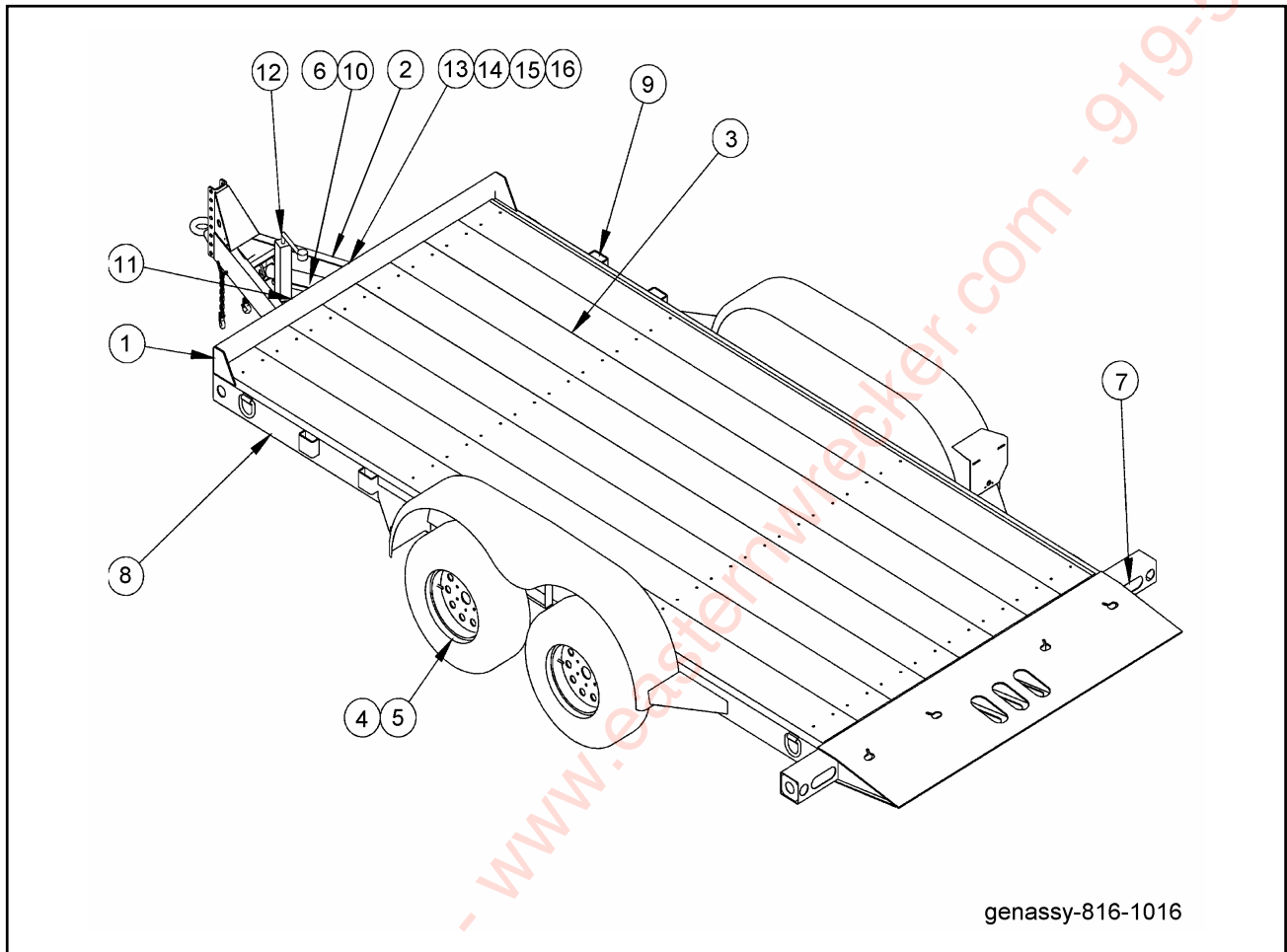
**MODEL CT816 & CT1016
TAG TRAILER
PARTS LIST**



**1900 NORTH STREET
MARYSVILLE, KS 66508
(785)562-5381**

ILLUSTRATED PARTS LIST

1



genassy-816-1016

Figure 1-1 General Assembly

GENERAL ASSEMBLY

ITEM	PART/PAGE NO.	DESCRIPTION	QTY.
1	1-2 - 1-5	TRAILER ASSEMBLY	1
2	1-6 - 1-7	SURGE BRAKE LINE ASSEMBLY	1
3	1-8 - 1-9	DECK ASSEMBLY	1
4	1-10 - 1-17	AXLE ASSEMBLY	1
5	1-18 - 1-21	SURGE BRAKE ACTUATOR ASSEMBLIES	1
6	1-22 - 1-23	CYLINDER 2-1/2 X 16	1
7	1-24 - 1-25	ELECTRICAL ASSEMBLY	1
8	1-26 - 1-27	DECAL PLACEMENT	1
9	1-28 - 1-29	SIDERAIL (OPTION)	1
10	1-30 - 1-31	TILT LOCK ASSEMBLIES (OPTION)	1
11	1-32 - 1-36	WINCH ASSEMBLY (OPTION)	1
12	1-37	JACK STAND ASSEMBLY	1
13	F-283	MANUAL CT TRAILER OPERATORS	1
14	3-475-010002	MANUAL, AXLES	1
15	1-116-010019	BOX, MANUAL STORAGE	1
16	105-0093	HOSE CLAMP, 1-1/2 IDEAL #5264	1

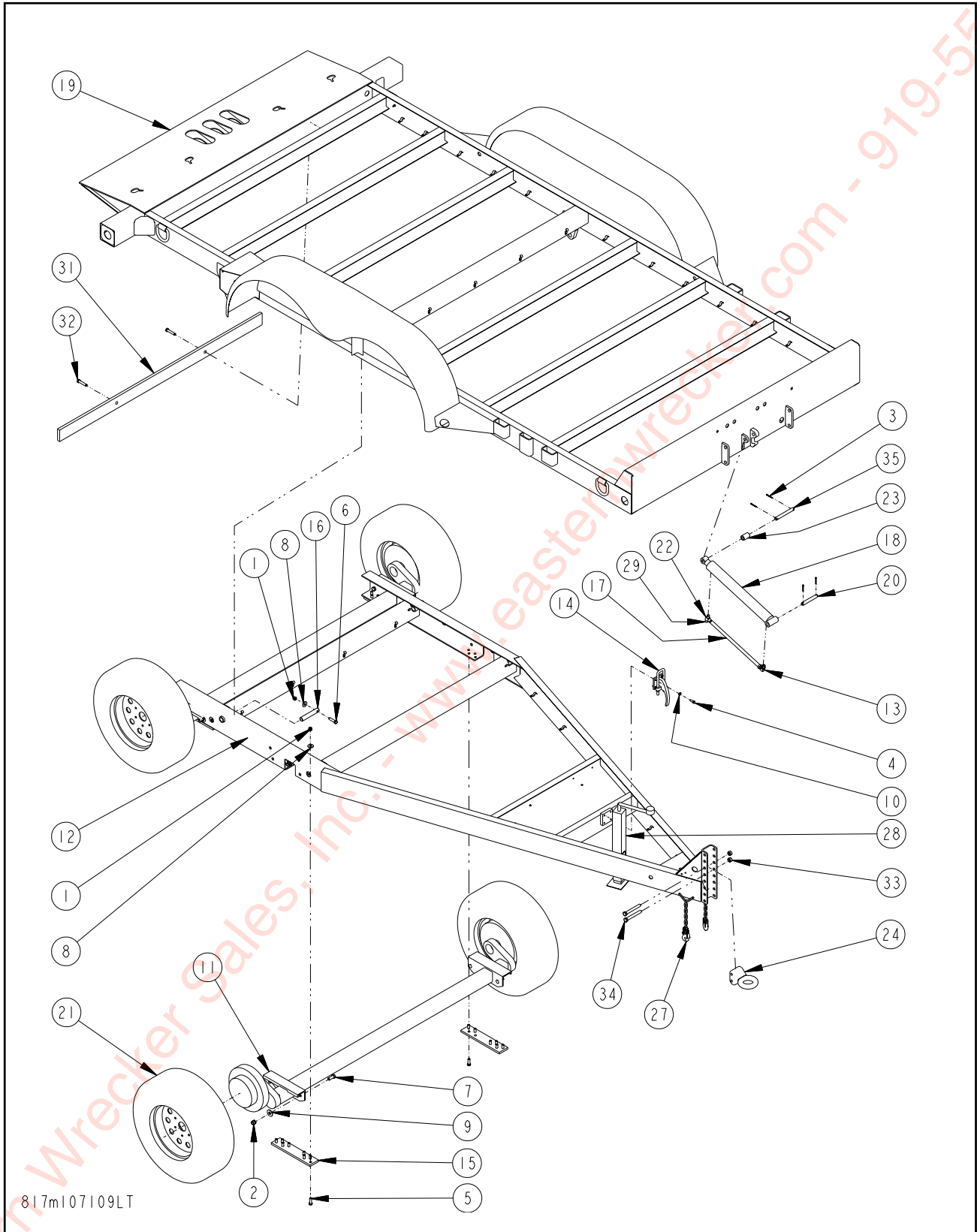


Figure 1-2 Trailer Assembly (For Electric Brakes)

TRAILER ASSEMBLY (FOR ELECTRIC BRAKES)

ITEM	PART NO.	DESCRIPTION	QTY.
		BED TO FRAME ASSEMBLY CT	
1	1-512-010005-09	NUT HEX LOCK 1/2-13 GRB	34
2	1-512-010005-13	NUT HEX LOCK 5/8-11 GRB	8
3	1-557-010362-51	PIN COTTER	4
4	1-654-010051-05	SCREW HEX HEAD CAP 3/8-16 X 1 GR5	4
5	1-654-010055-03	SCREW HEX HEAD CAP 1/2-13 X 1-1/2 GR5	32
6	1-654-010055-05	SCREW HEX HEAD CAP 1/2-13 X 2 GR5	2
7	1-654-010059-03	SCREW HEX HEAD CAP 5/8-11 X 1-1/2 GR5	8
8	1-861-010032-15	WASHER FLAT 1/2W	34
9	1-861-010032-19	WASHER FLAT 5/8W	8
10	1-861-010034-11	WASHER SPLIT LOCK 3/8	4
11	107104	AXLE ELECTRIC W/ E-Z LUBE (CT8) (SEE PAGE 1-11)	2
	107115	AXLE ELECTRIC W/ E-Z LUBE (CT10) (SEE PAGE 1-13)	2
12	107107	WELDMENT FRAME CT816 (FOR CT8 OR CT10)	1
	120526	WELDMENT, FRAME CT1016	1
13	1-007-010005	UNION ADAPTER 90, W/ 3/32 RESTRICTOR	1
14	107116	CLAMP BED HOLD DOWN	1
15	107133	PLATE CHANNEL REINFORCEMENT CT816	4
16	107144	PIN TAG PIVOT	2
17	107479	HOSE ASSEMBLY 3/8 X 17	1
18	107229	CYLINDER 2-1/2 X 16 (SEE PAGE 1-23)	1
19	107955	FRAME BED WELDMENT CT TRAILER	1
	120402	FRAME BED WELDMENT 12" CTRS.	1
	120563	FRAME BED WELDMENT	1
20	3-557-010052	PIN FRONT EXT. SUPPORT, LOWER	1
21	108162	TIRE & DISC RIM ASSY 225/75R15 (CT8)	4
	107106	TIRE, ST 225-75-R15	4
	106358	RIM, STEEL 15X6-6 BOLT	4
	TR416	VALVE STEM TUBELESS TIRE	4
	108163	TIRE & DISC RIM ASSY 235/85R16 (CT10)	4
	107111	TIRE, LT 235-85R-16	4
	105579	RIM, STEEL 15X6-8 BOLT	4
	TR416	VALVE STEM TUBELESS TIRE	4
22	2092-6-6S	TEE, #6, 1 MALE, 1 FEMALE	1
23	108303	TUBE ROUND 1-1/4 X 13/16 X 7/8 (PRIOR 09/01)	1
	120515	TUBE, ROUND 1-1/4 X 13/16 X 1-7/8 (AFTER 09/01)	1
24	3-375-010624	HITCH PINTLE FEMALE ADJ.	1
25	3-375-010625	HITCH 2-5/16 BALL FEMALE ADJ. (OPTIONAL) (NOT SHOWN)	1
26	3-128-010036	ELECTRONIC BRAKE CONTROLLER (OPTIONAL) (NOT SHOWN) (LOCATED IN CAB)	1
27	106357	3/8 SAFETY CHAIN W/ HOOK X 32	2
28	106386	JACK 7000 LB TOP CRANK DROP LEG (SEE PAGE 1-37)	1
30	107035	FENDER	2
31	108195	BAR, WINCH COUNTERWEIGHT (USED W/ 120402)	2
32	1-654-010055-07	SCREW, HEX HEAD CAP 1/2-13 X 2-1/2 GR5 (USED W/ 120402)	2
33	1-512-010002-13	NUT, HEX LOCK 5/8-11 GRC	2
34	122962	SCREW, HEX HEAD CAP 5/8-11 X 4-1/2 GR8	2
35	120525	PIN, ROUND	1

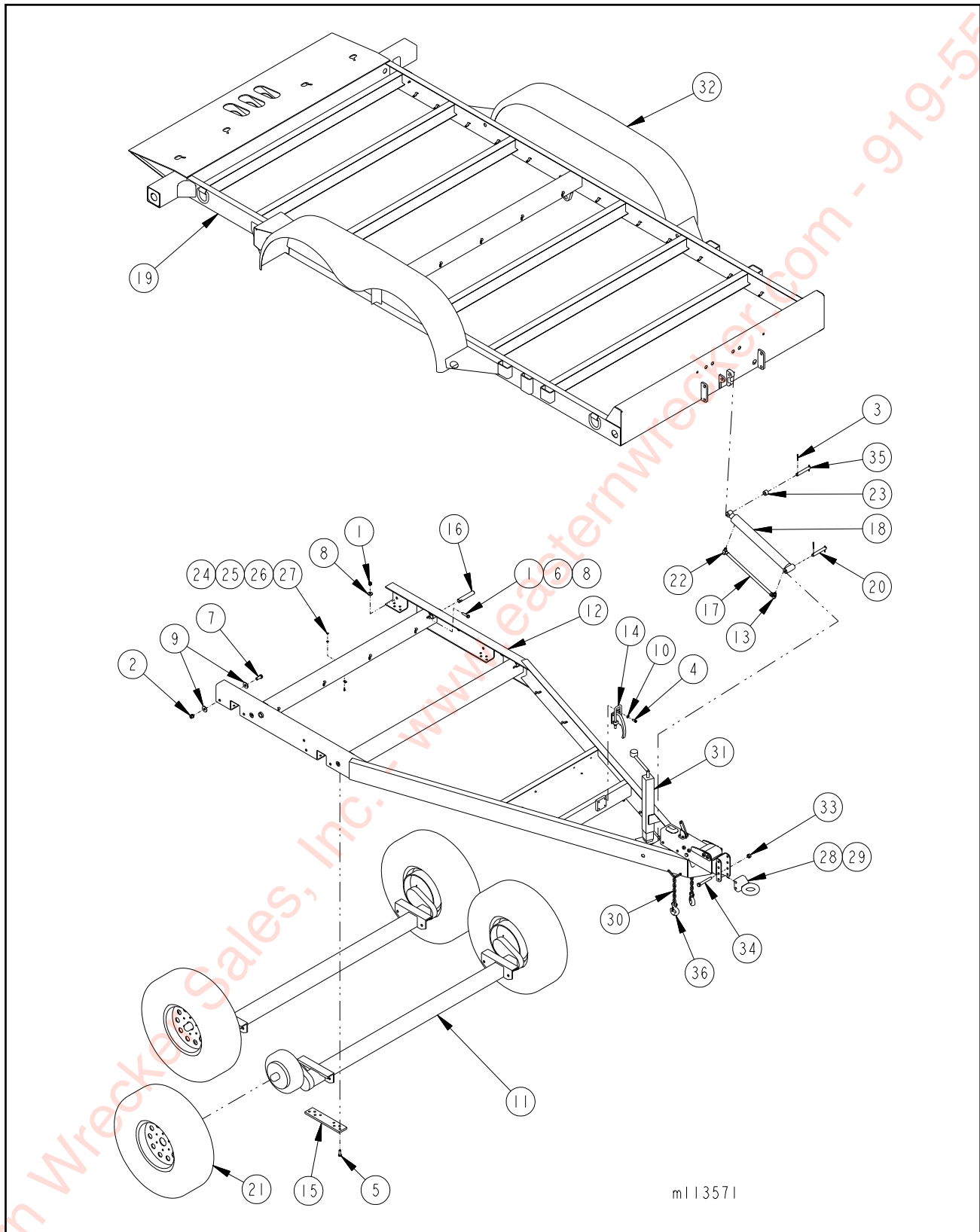


Figure 1-3 Trailer Assembly (For Surge Brakes)

TRAILER ASSEMBLY (FOR SURGE BRAKES)

ITEM	PART NO.	DESCRIPTION	QTY.
		BED TO FRAME ASSEMBLY CT W/ SURGE BRAKE	
1	1-512-010005-09	NUT HEX LOCK 1/2-13 GRB	34
2	1-512-010005-13	NUT HEX LOCK 5/8-11 GRB	8
3	1-557-010362-51	PIN COTTER	4
4	1-654-010051-05	SCREW HEX HEAD CAP 3/8-16 X 1 GR5	4
5	1-654-010055-03	SCREW HEX HEAD CAP 1/2-13 X 1-1/2 GR5	32
6	1-654-010055-05	SCREW HEX HEAD CAP 1/2-13 X 2 GR5	2
7	1-654-010059-03	SCREW HEX HEAD CAP 5/8-11 X 1-1/2 GR5	8
8	1-861-010032-15	WASHER FLAT 1/2W	34
9	1-861-010032-19	WASHER FLAT 5/8W	8
10	1-861-010034-11	WASHER SPLIT LOCK 3/8	4
11	109597	AXLE HYDR W/ E-Z LUBE - 8 BOLT (CT10)(SEE PAGE 1-17)	2
	111333	AXLE HYDR W/ E-Z LUBE - 6 BOLT (CT08)(SEE PAGE 1-15)	2
12	109884	WELDMNT FRAME CT816 W/ S-BRK	1
	120698	WELDMNT, FRAME S-BRAKE	1
13	1-007-010005	UNION ADAPTER 90, W/ 3/32 RESTRICTOR	1
14	107116	CLAMP BED HOLD DOWN	1
15	107133	PLATE CHANNEL REINFORCEMENT CT816	4
16	107144	PIN TAG PIVOT	2
17	107479	HOSE ASSEMBLY 3/8 X 17	1
18	107229	CYLINDER 2-1/2 X 16 (SEE PAGE 1-23)	1
19	107955	FRAME BED WELDMNT CT TRAILER	1
	120563	FRAME BED WELDMNT	1
20	3-557-010052	PIN FRONT EXT. SUPPORT, LOWER	1
21	108162	TIRE & DISC RIM ASSY 225/75R15 (CT8)	4
	107106	TIRE, ST 225-75-R15	4
	106358	RIM, STEEL 15X6-6 BOLT	4
	TR416	VALVE STEM TUBELESS TIRE	4
	108163	TIRE & DISC RIM ASSY 235/85R16 (CT10)	4
	107111	TIRE, LT 235-85R-16	4
	105579	RIM, STEEL 15X6-8 BOLT	4
	TR416	VALVE STEM TUBELESS TIRE	4
22	2092-6-6S	TEE, #6, 1 MALE, 1 FEMALE	1
23	108303	TUBE ROUND 1-1/4 X 13/16 X 7/8 (PRIOR 9/01)	1
	120515	TUBE, ROUND 1-1/4 X 13/16 X 1-7/8 (AFTER 9/01)	1
24	1-512-010003-06	NUT, HEX LOCK #10-24	7
25	1-656-010003051	SCREW, RD HEAD MACH #10-24 X 3/4	7
26	1-861-010032-03	WASHER, FLAT #10	7
27	239-9076-1	SUPPORT, CLAMP 1/4	7
28	3-375-010624	HITCH PINTLE FEMALE ADJ.	1
29	3-375-010625	HITCH 2-5/16 BALL FEMALE ADJ. (OPTIONAL) (NOT SHOWN)	1
30	3-174-010018048	3/8 SAFETY CHAIN W/ HOOK X 48	2
31	106386	JACK 7000 LB TOP CRANK DROP LEG (SEE PAGE 1-37)	1
32	107035	FENDER	2
33	1-512-010002-13	NUT, HEX LOCK 5/8-11 GRC	2
34	122962	SCREW, HEX HEAD CAP 5/8-11 X 4-1/2 GR8	2
35	120525	PIN, ROUND	1
36	113479	HOOK 3/8 CLEVIS SLIP	2

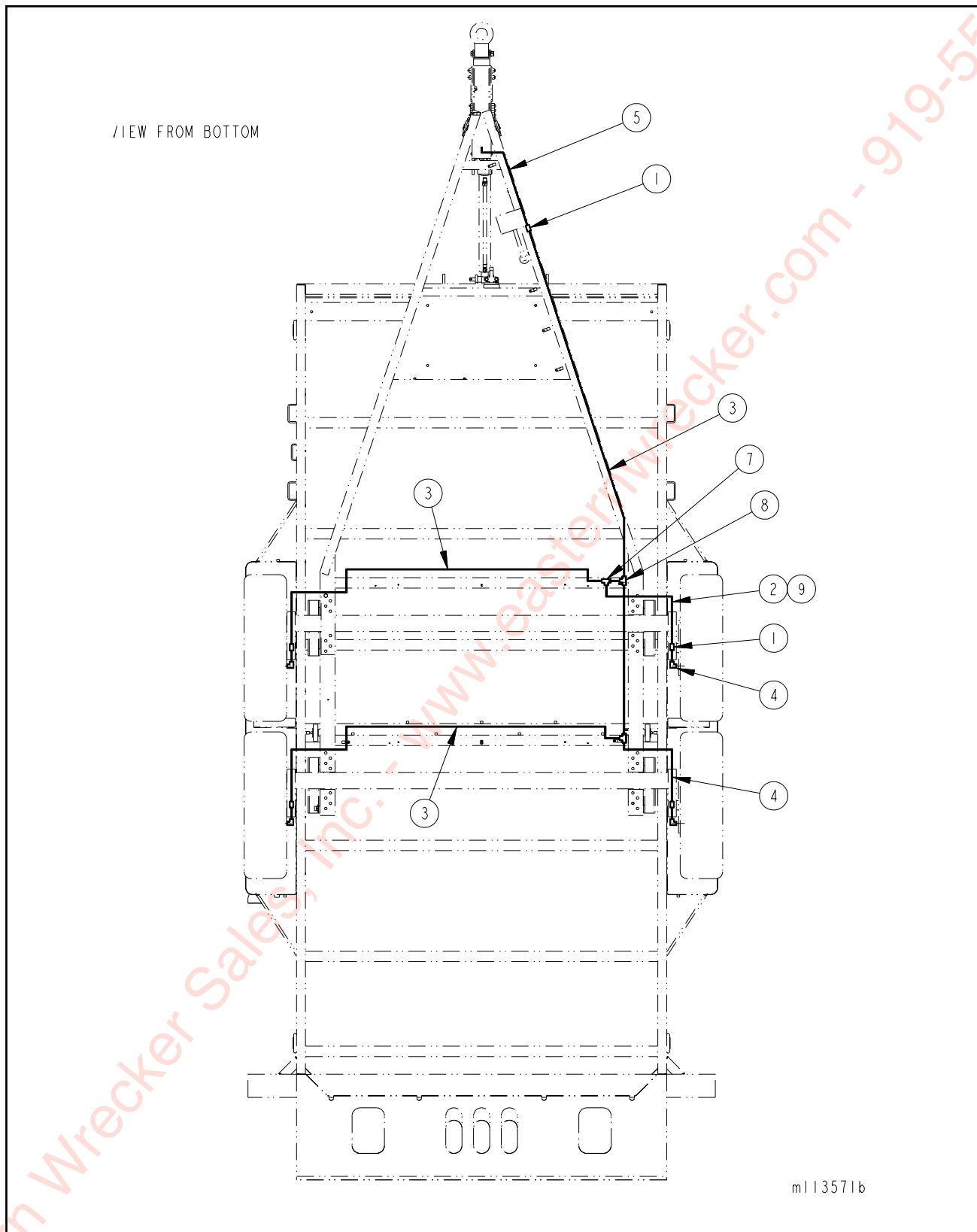


Figure 1-4 Surge Brake Line Schematic

SURGE BRAKE LINE SCHEMATIC

ITEM	PART NO.	DESCRIPTION	QTY.
	109956	BED TO FRAME ASSEMBLY CT1016 W/ SURGE BRAKE	
	111334	BED TO FRAME ASSEMBLY CT816 W/ SURGE BRAKE	
1	3-158-010004	3/16 INVERTED FLARE UNION	5
2	109968	BRAKE, HOSE	4
3	109969	BRAKE, 3/16 STEEL LINE X 72	3
4	109970	BRAKE, 3/16 STEEL LINE X 6	6
5	3-158-010015	BRAKE, 3/16 STEEL LINE X 30	2
6	3-187-010018	CLIP, 1/4 HYD BRAKE HOSE (NOT SHOWN)	4
7	109971	FITTING, HYD BRAKE SRV TEE	1
8	109972	FITTING, HYD BRAKE TEE	2
9	1-796-010003-02	TIE, STRAP PLASTIC	4

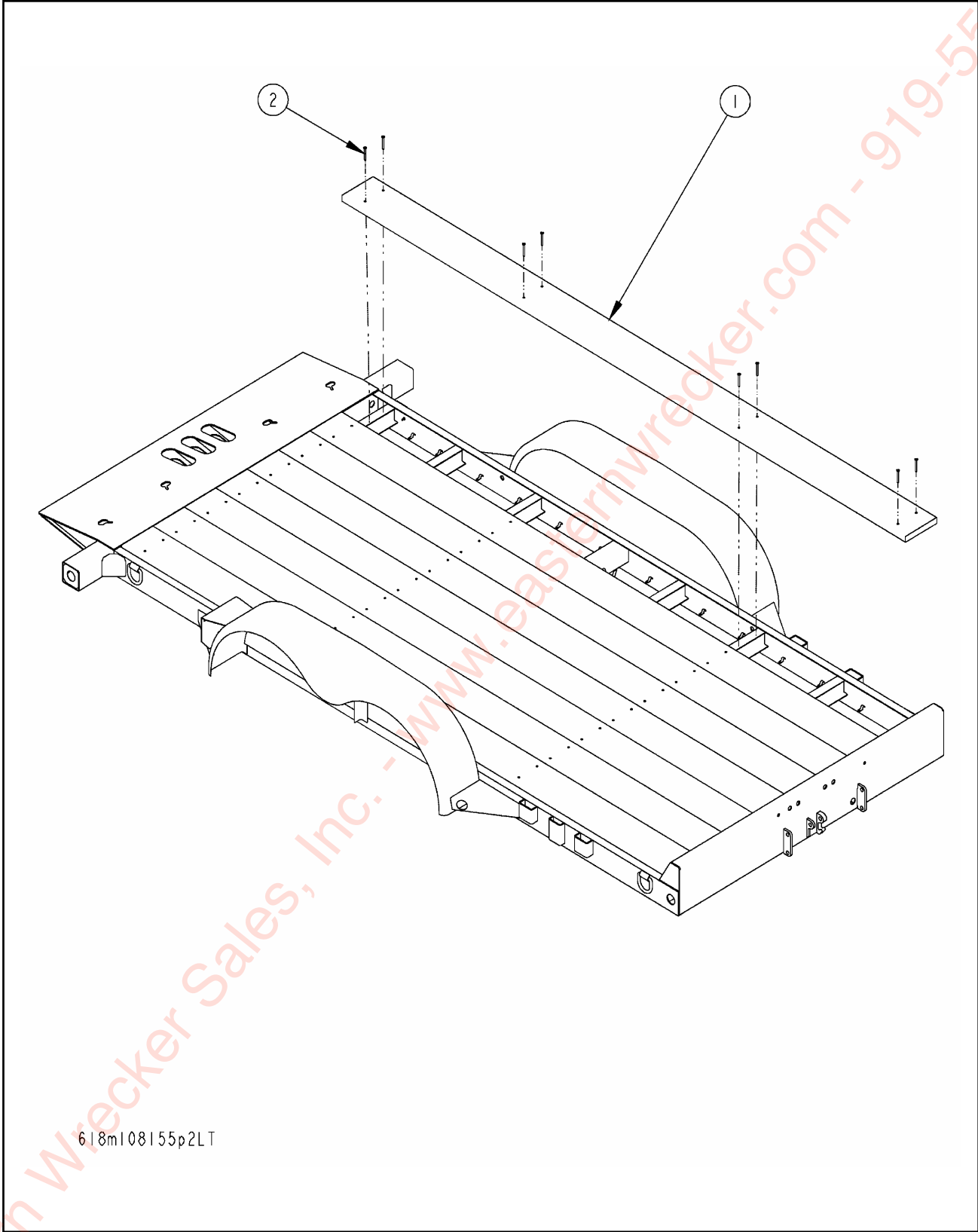
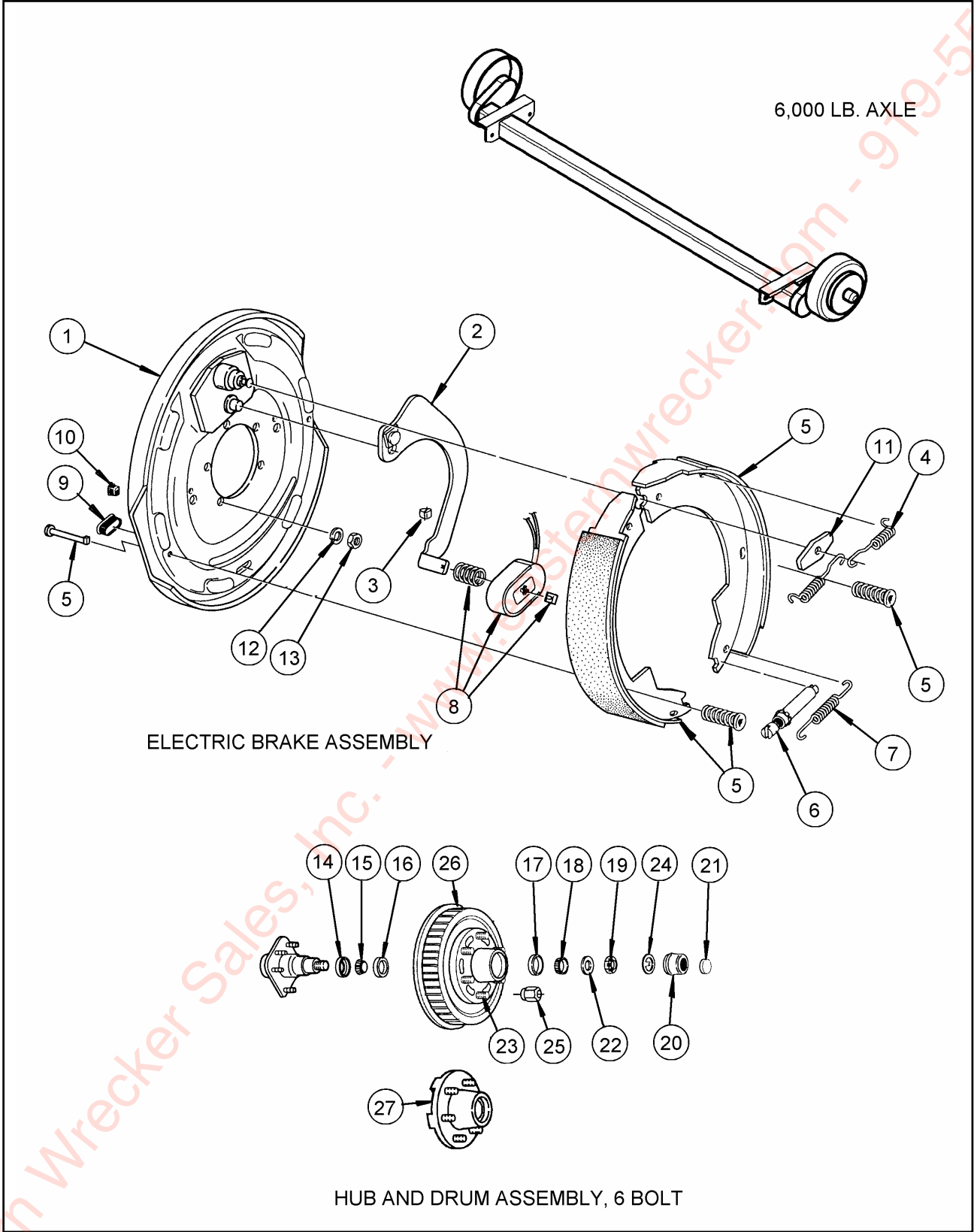


Figure 1-5 Deck Assembly

DECK ASSEMBLY

ITEM	PART NO.	DESCRIPTION
	107515	DECK WOOD PINE TREATED CT16
	107267	DECK WOOD FIR CT16
	115801	DECK WOOD APITONG CT16
1	RWD39013	FIR PRESSURE TREATED 2 X 10 NOMINAL
	RWD39017	YELLOW PINE CCA-C.40 TREATED 2 X 10 X 16 (STD)
	RWD39000	APITONG 1-3/8 X 7.08
2	3-654-010129-1	SCREW TORQUE 5/16 X 3

Eastern Wrecker Sales, Inc. - www.easternwrecker.com - 919-553-4038



6000 LB. E-Z LUBE AXLE ASSEMBLY - 6 BOLT

ITEM	PART NO.	DESCRIPTION	QTY.
	107104	AXLE ELECTRIC W/ E-Z LUBE - 6 BOLT	
		12 X 2 ELECTRIC BRAKE ASSEMBLY	
	023-326-00	LH COMPLETE BRAKE ASSEMBLY	
	023-327-00	RH COMPLETE BRAKE ASSEMBLY	
1	036-089-05	BACKING PLATE ASSEMBLY	
2	047-107-00	LH ACTUATING LEVER ARM ASSEMBLY	
	047-108-00	RH ACTUATING LEVER ARM ASSEMBLY	
3	027-005-00	WIRE CLIP	
4	046-009-00	RETRACTOR SPRING	
5	K71-127-00	SHOE AND LINING KIT	
6	043-004-00	ADJUSTER ASSEMBLY	
7	046-018-00	ADJUSTING SCREW SPRING	
8	K71-105-00	MAGNET KIT	
9	046-007-00	ADJUSTER SLOT PLUG	
10	046-016-00	WIRE GROMMET	
11	005-067-00	ANCHOR POST WASHER	
12	005-004-00	LOCKWASHER	
13	006-010-00	BRAKE MOUNTING NUT	
		HUB AND DRUM ASSEMBLY	
14	010-036-00	GREASE SEAL	
15	031-030-02	INNER BEARING CONE	
16	031-030-01	INNER BEARING CUP	
17	031-029-01	OUTER BEARING CUP	
18	031-029-02	OUTER BEARING CONE	
19	006-001-00	SPINDLE NUT	
20	021-042-01	GREASE CAP	
21	085-001-00	RUBBER PLUG	
22	005-023-00	SPINDLE WASHER	
23	007-122-00	1/2-20 PRESS-IN STUD	
24	005-101-00	TANG WASHER FOR E-Z LUBE HUB	
25	006-080-00	1/2-20 CONE NUT	
26	008-201-09	HUB AND DRUM ASSEMBLY	
27	008-213-09	HUB	

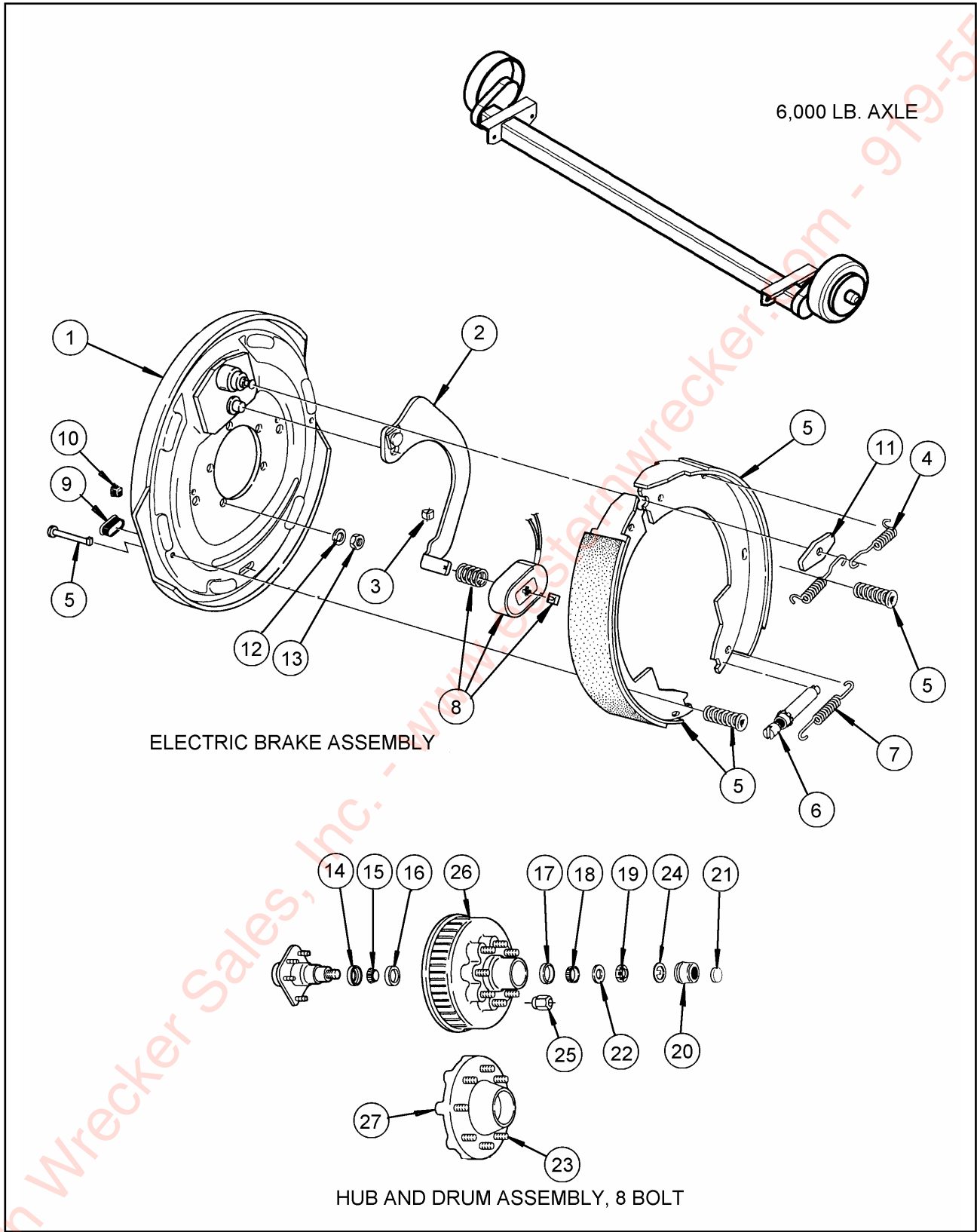


Figure 1-7 6000# E-Z Lube Axle Assy 8 Bolt (CT10 TRL)

6000 LB. E-Z LUBE AXLE ASSEMBLY - 8 BOLT

ITEM	PART NO.	DESCRIPTION	QTY.
	107115	AXLE 6000 LB. E-Z LUBE - 8 BOLT	
		12 X 2 ELECTRIC BRAKE ASSEMBLY	
	023-326-00	LH COMPLETE BRAKE ASSEMBLY	
	023-327-00	RH COMPLETE BRAKE ASSEMBLY	
1	036-089-05	BACKING PLATE ASSEMBLY	
2	047-107-00	LH ACTUATING LEVER ARM ASSEMBLY	
	047-108-00	RH ACTUATING LEVER ARM ASSEMBLY	
3	027-005-00	WIRE CLIP	
4	046-009-00	RETRACTOR SPRING	
5	K71-127-00	SHOE AND LINING KIT	
6	043-004-00	ADJUSTER ASSEMBLY	
7	046-018-00	ADJUSTING SCREW SPRING	
8	K71-105-00	MAGNET KIT	
9	046-007-00	ADJUSTER SLOT PLUG	
10	046-016-00	WIRE GROMMET	
11	005-067-00	ANCHOR POST WASHER	
12	005-004-00	LOCKWASHER	
13	006-010-00	BRAKE MOUNTING NUT	
		HUB AND DRUM ASSEMBLY	
14	010-036-00	GREASE SEAL	
15	031-030-02	INNER BEARING CONE	
16	031-030-01	INNER BEARING CUP	
17	031-017-01	OUTER BEARING CUP	
18	031-017-02	OUTER BEARING CONE	
19	006-001-00	SPINDLE NUT	
20	021-042-01	GREASE CAP	
21	085-001-00	RUBBER PLUG	
22	005-057-00	SPINDLE WASHER	
23	007-122-00	1/2-20 PRESS-IN STUD	
24	005-101-00	TANG WASHER FOR E-Z LUBE HUB	
25	006-080-00	1/2-20 CONE NUT	
26	008-219-04	HUB AND DRUM ASSEMBLY	
27	008-231-09	HUB	

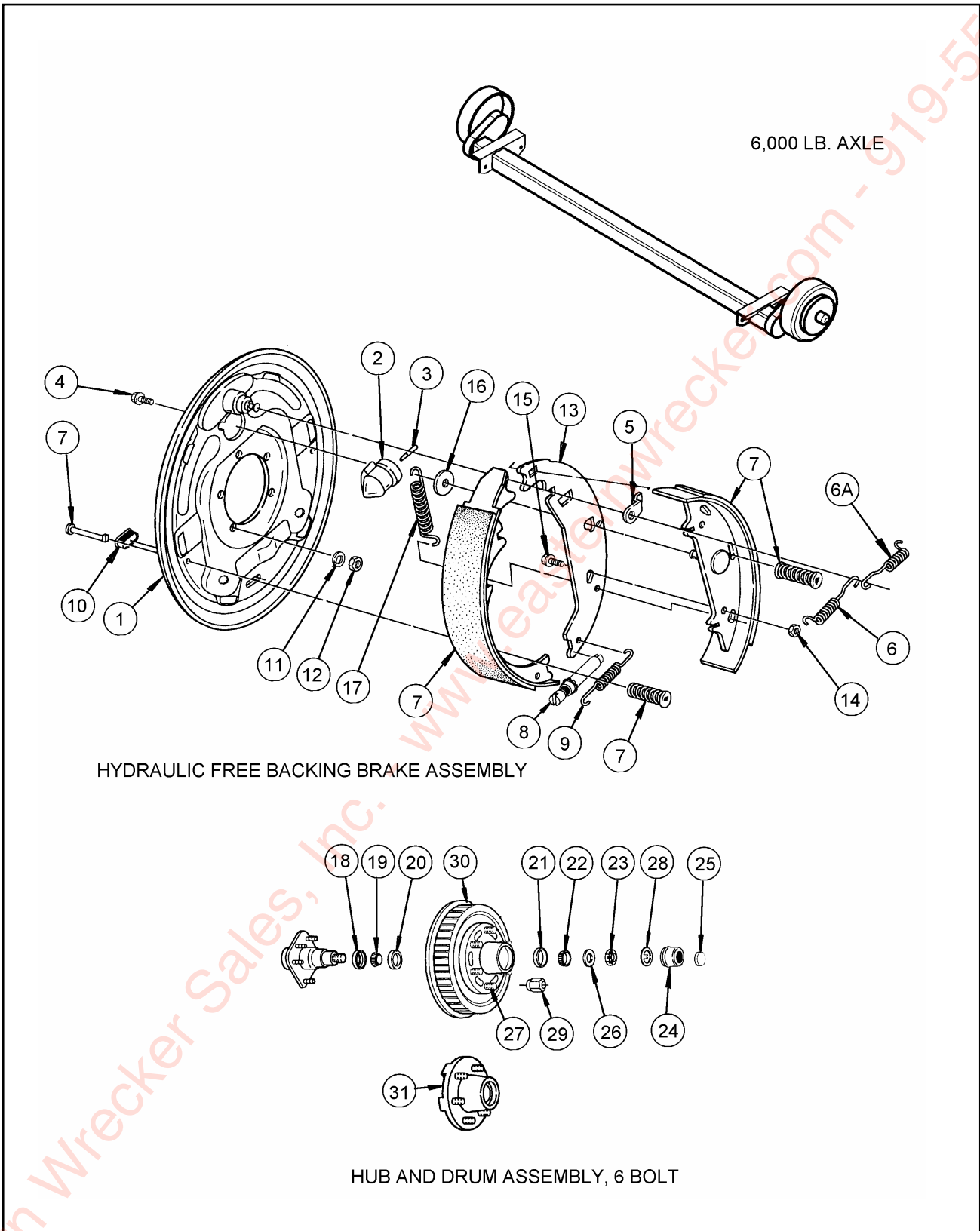


Figure 1-8 6000 Lb. E-Z Lube Hydr. Axle Assembly

6000 LB. E-Z LUBE HYDR. AXLE ASSY - 6 BOLT

ITEM	PART NO.	DESCRIPTION	QTY.
	111333	AXLE, HYDR W/ E-Z LUBE - 6 BOLT	
		12X2 FREE BACKING HYDRAULIC BRAKE ASSEMBLY	
	023-342-00	LH COMPLETE BRAKE ASSEMBLY	
	023-343-00	RH COMPLETE BRAKE ASSEMBLY	
1	036-093-08	BACKING PLATE ASSEMBLY	
2	054-064-00	BRAKE CYLINDER UNI-SERVO, LH	
	054-065-00	BRAKE CYLINDER UNI-SERVO, RH	
3	054-060-00	PUSH ROD	
4	087-001-00	SEMS (SCREW AND WASHER ASSEMBLY)	
5	037-069-01	TRAVEL LINK	
6	046-101-00	RETRACTOR SPRING	
6A	046-107-01	SHOE LEVER RETURN SPRING	
7	K71-394-00	SHOE AND LINING KIT, LH	
	K71-395-00	SHOE AND LINING KIT, RH	
8	043-028-00	ADJUSTER ASSEMBLY	
9	046-123-00	ADJUSTING SCREW SPRING	
10	046-007-00	PLUG	
11	005-004-00	LOCKWASHER	
12	006-010-00	BRAKE MOUNTING NUT	
13	040-244-01	SHOE LEVER	
14	006-011-01	LOCKNUT	
15	007-210-00	SCREW	
16	005-064-00	WASHER	
17	046-108-01	PRIMARY SHOE RETURN SPRING	
		HUB AND DRUM ASSEMBLY	
18	010-036-00	GREASE SEAL	
19	031-030-02	INNER BEARING CONE	
20	031-030-01	INNER BEARING CUP	
21	031-029-01	OUTER BEARING CUP	
22	031-029-02	OUTER BEARING CONE	
23	006-001-00	SPINDLE NUT	
24	021-042-01	GREASE CAP	
25	085-001-00	RUBBER PLUG	
26	005-023-00	SPINDLE WASHER	
27	007-122-00	1/2-20 PRESS-IN STUD	
28	005-101-00	TANG WASHER FOR E-Z LUBE HUB	
29	006-080-00	1/2-20 CONE NUT	
30	008-201-09	HUB AND DRUM ASSEMBLY	
31	008-213-09	HUB	

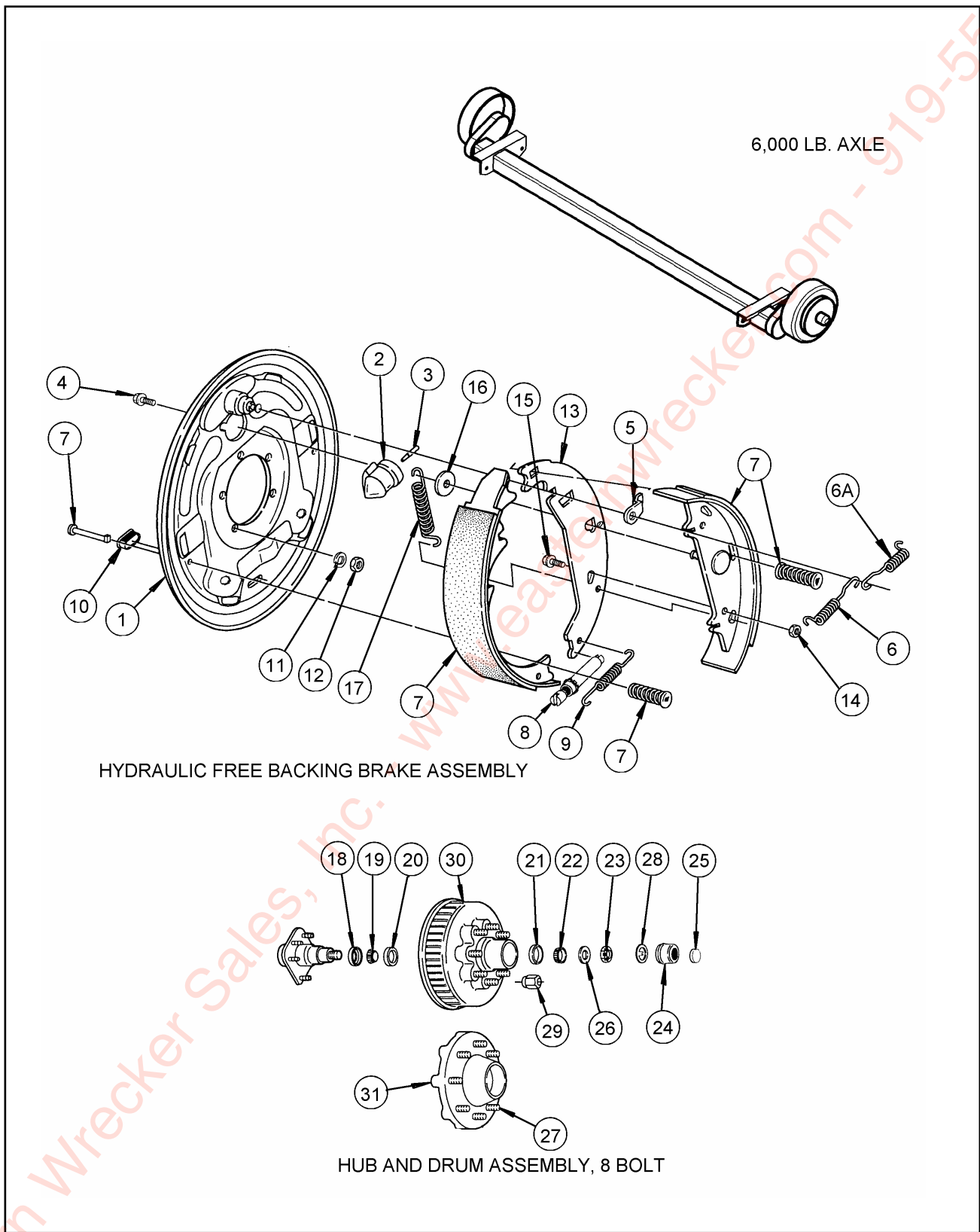


Figure 1-9 6000 Lb. E-Z Lube Hydr. Axle Assembly

6000 LB. E-Z LUBE HYDR. AXLE ASSY - 8 BOLT

ITEM	PART NO.	DESCRIPTION	QTY.
	109597	AXLE, HYDR W/ E-Z LUBE - 8 BOLT	
		12X2 FREE BACKING HYDRAULIC BRAKE ASSEMBLY	
	023-342-00	LH COMPLETE BRAKE ASSEMBLY	
	023-343-00	RH COMPLETE BRAKE ASSEMBLY	
1	036-093-08	BACKING PLATE ASSEMBLY	
2	054-064-00	BRAKE CYLINDER UNI-SERVO, LH	
	054-065-00	BRAKE CYLINDER UNI-SERVO, RH	
3	054-060-00	PUSH ROD	
4	087-001-00	SEMS (SCREW AND WASHER ASSEMBLY)	
5	037-069-01	TRAVEL LINK	
6	046-101-00	RETRACTOR SPRING	
6A	046-107-01	SHOE LEVER RETURN SPRING	
7	K71-394-00	SHOE AND LINING KIT, LH	
	K71-395-00	SHOE AND LINING KIT, RH	
8	043-028-00	ADJUSTER ASSEMBLY	
9	046-123-00	ADJUSTING SCREW SPRING	
10	046-007-00	PLUG	
11	005-004-00	LOCKWASHER	
12	006-010-00	BRAKE MOUNTING NUT	
13	040-244-01	SHOE LEVER	
14	006-011-01	LOCKNUT	
15	007-210-00	SCREW	
16	005-064-00	WASHER	
17	046-108-01	PRIMARY SHOE RETURN SPRING	
		HUB AND DRUM ASSEMBLY	
18	010-036-00	GREASE SEAL	
19	031-030-02	INNER BEARING CONE	
20	031-030-01	INNER BEARING CUP	
21	031-017-01	OUTER BEARING CUP	
22	031-017-02	OUTER BEARING CONE	
23	006-001-00	SPINDLE NUT	
24	021-042-01	GREASE CAP	
25	085-001-00	RUBBER PLUG	
26	005-057-00	SPINDLE WASHER	
27	007-122-00	1/2-20 PRESS-IN STUD	
28	005-101-00	TANG WASHER FOR E-Z LUBE HUB	
29	006-080-00	1/2-20 CONE NUT	
30	008-219-04	HUB AND DRUM ASSEMBLY	
31	008-231-09	HUB	

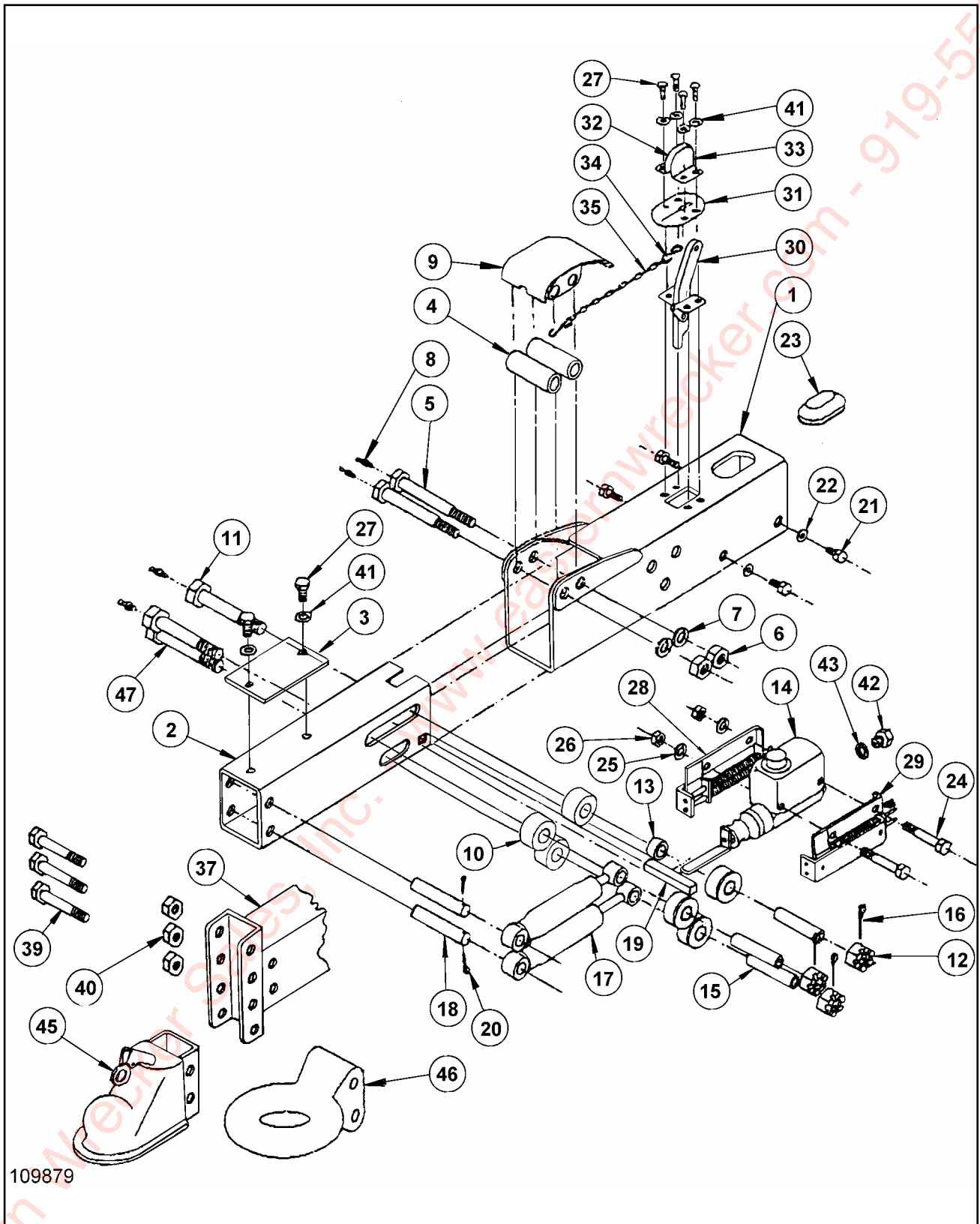


Figure 1-10 Surge Brake Actuator Assembly
(Prior 04/00)

SURGE BRAKE ACTUATOR ASSEMBLY (PRIOR 04/00)

ITEM	PART NO.	DESCRIPTION	QTY.
	109879	SURGE BRAKE ACTUATOR (PRIOR 04/00)	
1	10553	OUTER CASE ASSEMBLY	
	17349	OUTER CASE ASSEMBLY W/ CHANNEL	
2	15563	INNER SLIDE ASSEMBLY	
3	8284	CENTERING RAIL	
4	16019	FRONT ROLLER	
5	8288	FRONT ROLLER BOLT 5/8 X 4-3/8 X 1/2NC	
6	7985	NUT - HEX 1/2NC	
7	7937	LOCKWASHER 1/2 STD	
8	1449-01	GREASE FITTING	
9	8289	FRONT ROLLER COVER	
10	8291	REAR ROLLER ASSEMBLY	
11	8294	REAR ROLLER BOLT 5/8NF X 5	
12	7971	SLOTTED NUT 5/8NF	
13	3328	SPACER	
14	23744	MASTER CYLINDER ASSEMBLY 1-1/4 BORE	
	12503	FILLER CAP 1-5/8-18NEF (INCL IN 23744)	
	23458	FILLER CAP GASKET (INCL IN 23744)	
	23745	PUSH ROD BRACKET ASSEMBLY (INCL IN 23744)	
15	8297	SPACER	
16	7994	COTTER PIN 1/8 X 1-1/4	
17	7784	DAMPER	
18	8298	DAMPER BAR	
19	8301	PUSH ROD BLOCK	
20	7997	COTTER PIN 1/8 X 3/4	
21	7948	BOLT - HEX 5/16NC X 1/2	
22	12489	LOCKWASHER 5/16 EXTERNAL STAR	
23	15070	CYLINDER COVER	
24	8271	BOLT - HEX 3/8NC X 3	
25	12552	LOCKWASHER 3/8 EXTERNAL STAR	
26	7976	NUT - HEX 3/8 NC	
27	7949	BOLT - HEX 5/16NC X 5/8	
28	8388	CYLINDER BRACKET ASSEMBLY - RIGHT	
29	8389	CYLINDER BRACKET ASSEMBLY - LEFT	
30	10541	BRAKE LEVER ASSEMBLY	
31	10552	WEATHER SEAL	
32	10527	BREAKAWAY LOCK - RIGHT	
33	10526	BREAKAWAY LOCK - LEFT	
34	10555	S-HOOK	
35	7768	CHAIN	
37	10582	INNER SLIDE ASSEMBLY W/ CHANNEL	
39	9093	BOLT, HEX 5/8NC X 4-1/2	
41	10405	NUT, HEX LOCK 5/8NC	
	7938	LOCKWASHER 5/16 STD	
42	12099	CONNECTOR	
43	7745	GASKET	
45	3-375-010625	HITCH 2-5/16 BALL FEMALE ADJ	
46	3-375-010624	HITCH PINTLE FEMALE ADJ.	
47	8295	REAR ROLLER BOLT 5/8NF X 5	
	110731	1-1/4" MASTER CYLINDER REPAIR KIT	

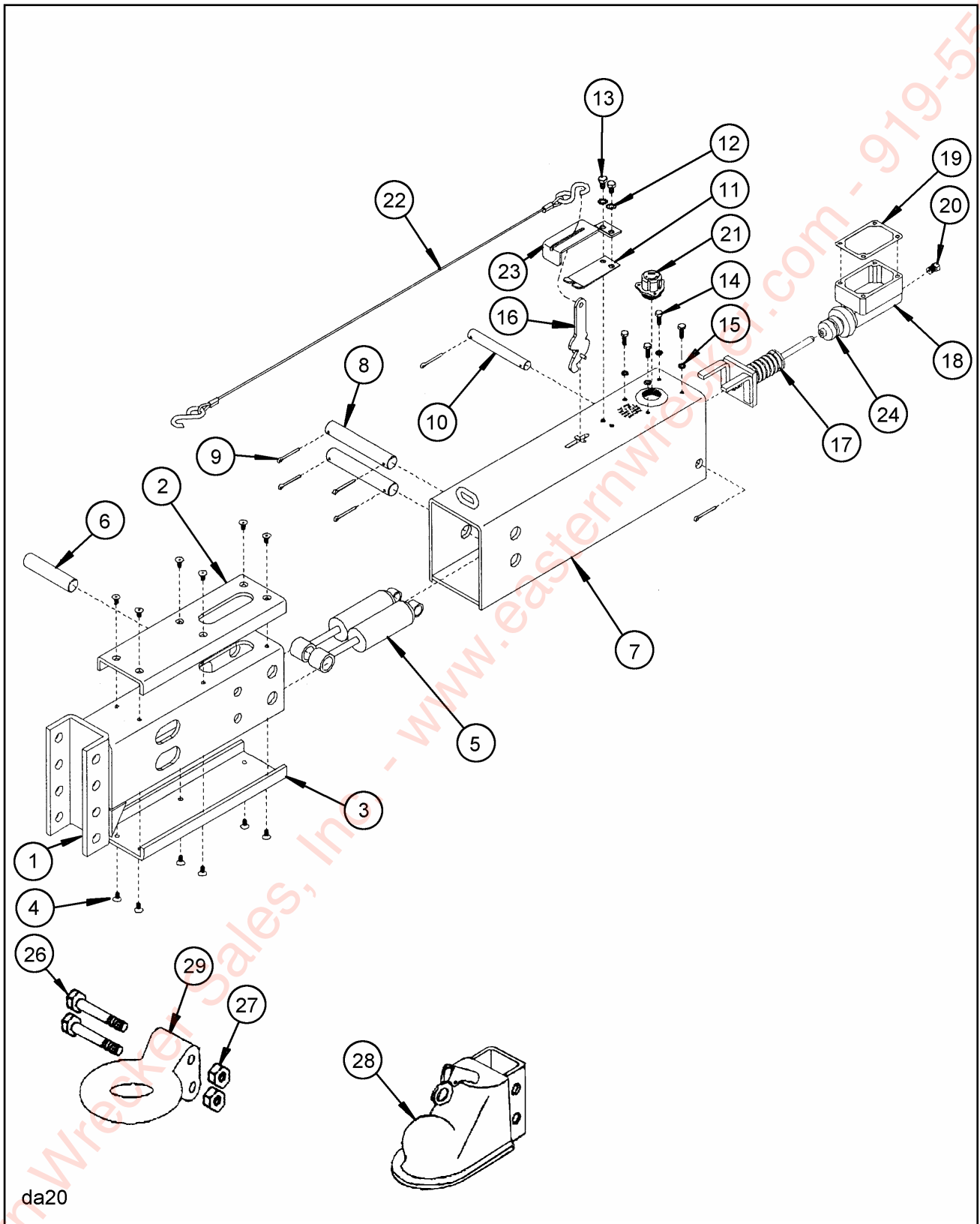


Figure 1-11 Surge Brake Actuator Assembly
(After 04/00)

SURGE BRAKE ACTUATOR ASSEMBLY (AFTER 04/00)

ITEM	PART NO.	DESCRIPTION	QTY.
	109879	SURGE BRAKE ACTUATOR (AFTER 04/00)	
1	03404	INNER SLIDER TUBE CHANNEL DOWN	1
	03757	INNER SLIDER TUBE CHANNEL CENTERED	1
	09671	INNER SLIDER TUBE CHANNEL UP	1
2	03522	TOP WEAR PAD	1
3	03523	BOTTOM WEAR PAD	1
4	02206	1/4-20 X 1/2 FLAT HEAD SCREW	12
5	SB12426	DAMPER SHOCK	2
6	03409	FRONT SHOCK PIN	1
7	03412	OUTER CASE	1
8	03411	CONNECTING PIN	2
9	02363	5/32 X 1-1/4 COTTER PIN	6
10	03410	REAR SHOCK PIN	1
11	05693	EMERGENCY LEVER SPRING	1
12	05424	5/16 EXTERNAL TOOTH LOCK WASHER	2
13	05961	5/16-18 X 5/8 HEX HEAD BOLT GR5	2
14	01076	1/4-20 X 3/4 HEX HEAD BOLT GR5	4
15	00057	1/4 LOCK WASHER	4
16	05951	EMERGENCY LEVER	1
17	03534	PUSH ROD ASSEMBLY	1
18	05680	MASTER CYLINDER W/ GASKET	1
19	05681	REPLACEMENT MASTER CYLINDER GASKET	-
20	SB12098	INVERTED FLARE FITTING W/ ORIFICE	1
21	03876	MASTER CYLINDER CAP W/ DIAPHRAGM AND O-RING	1
22	05408	3/32 CABLE W/ HOOKS (BOTH ENDS)	1
	SB10555	REPLACEMENT S-HOOKS	-
23	03866	LEVER GUIDE	1
24	05687	MASTER CYLINDER PROTECTIVE BOOT	1
26	02434	5/8-11 X 4-1/2 HEX HEAD BOLT GR5	2
27	02587	5/8-11 NYLON INSERT LOCK NUT	2
28	3-375-010625	HITCH 2-5/16 BALL FEMALE ADJ	1
29	3-375-010624	HITCH PINTLE FEMALE ADJ.	1
	123515	LEVER REPLACEMENT KIT (INCL. ITEMS 11, 16, & 22)	
	123514	MASTER CYLINDER REPAIR KIT W/ GASKET	

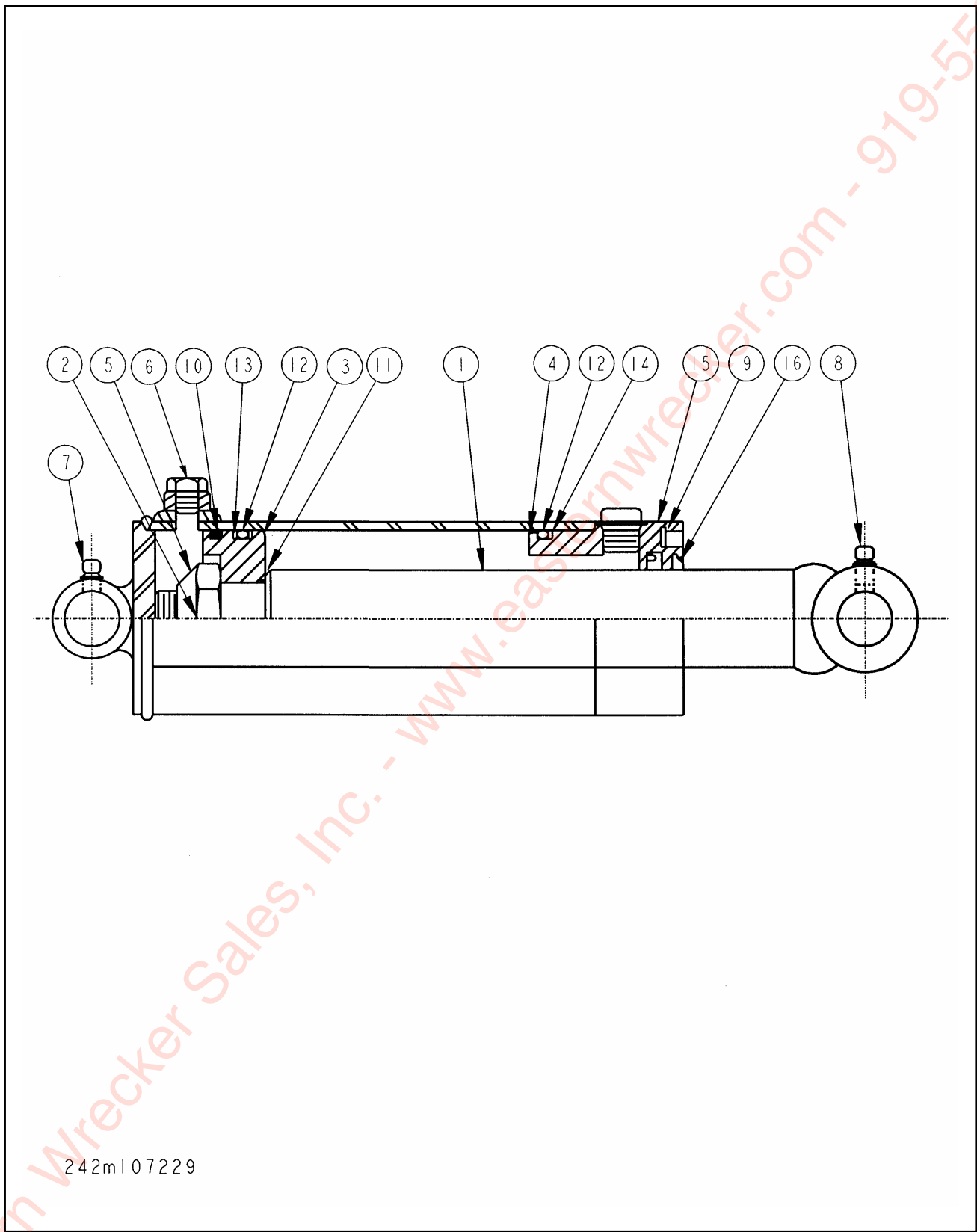


Figure 1-12 Cylinder 2-1/2 x 16

CYLINDER 2-1/2 X 16

ITEM	PART NO.	DESCRIPTION	QTY.
	107229	CYLINDER 2-1/2 X 16	
1	020700170	PISTON ROD ASSEMBLY	1
2	061300046	BUTT & TUBE ASSEMBLY	1
3	071300016	PISTON	1
4	081300356	GLAND	1
5	220000208	LOCKNUT 3/4-16	1
6	200018002	PORT PLUG	2
7	270010017	GREASE ZERK	1
8	270010002	GREASE ZERK	1
9	230001250	SNAP RING RETAINER	1
10	240004004	PISTON RING	1
11	240000018	O-RING	1
12	240000330	O-RING	2
13	240034330	BU-WASHER	2
14	240061330	BU-WASHER	1
15	240037106	U-CUP	1
16	250001220	WIPER	1
17	_____	BU-WASHER	1
18	_____	QUAD RING	1
	PMCK-5400	PACKING KIT CYLINDER (INCLUDES ITEMS 9 THRU 18)	

NOTE: ITEMS 17 & 18 ARE INCLUDED IN THE STANDARD PACKING KIT. THESE ITEMS ARE NOT USED ON THIS CYLINDER.

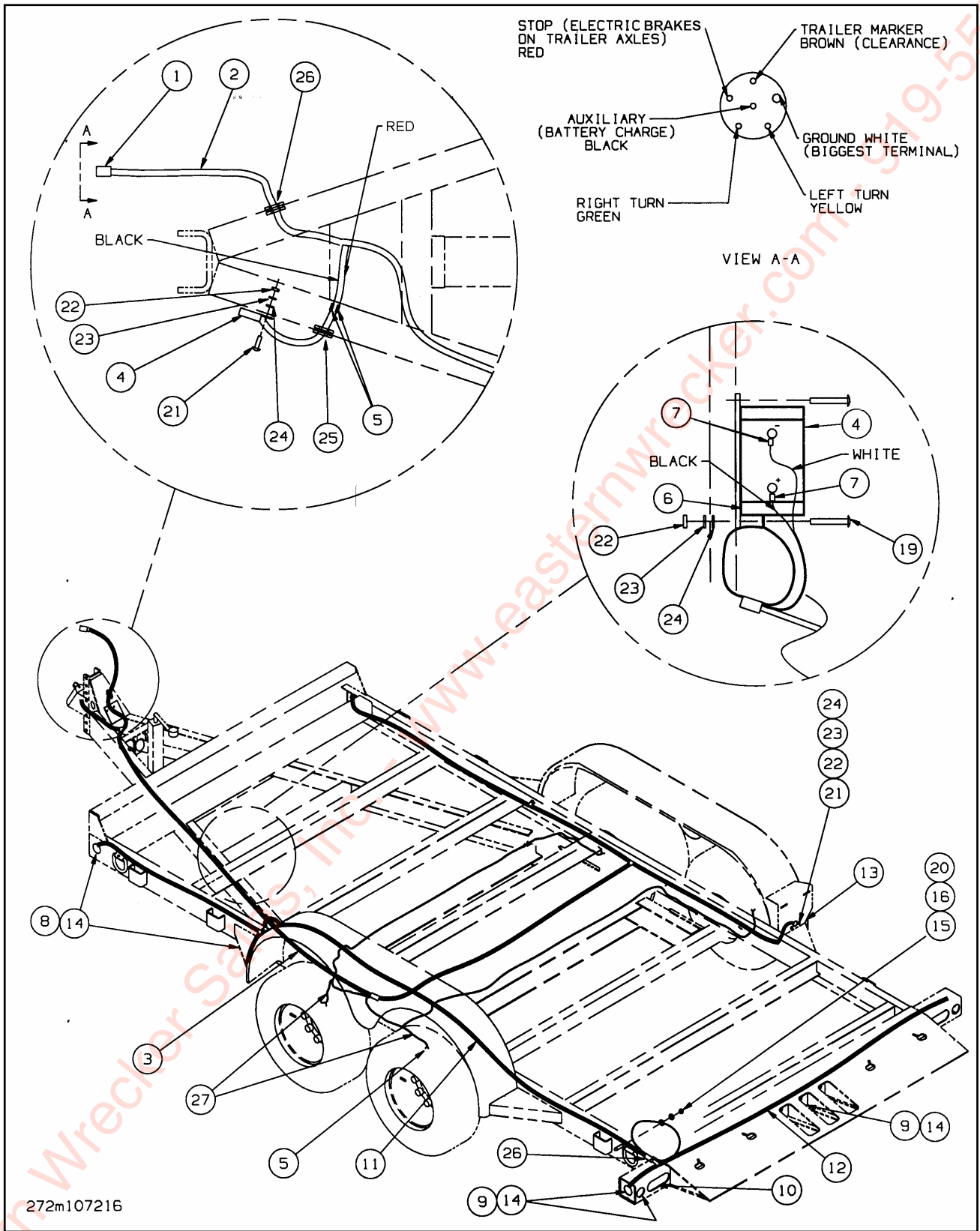


Figure 1-13 Electrical Assembly

ELECTRICAL ASSEMBLY

ITEM	PART NO.	DESCRIPTION	QTY.
	107216	ELECTRICAL ASSY, TAG TRL W/ ELECTRIC BRAKE	
	109920	ELECTRICAL ASSY TAG TRL W/ SURGE BRAKE	
1	3-203-010026	CONNECTOR ELECTRICAL 6-WAY PLUG	1
2	107208	HARNESS FRONT TAG TRAILER	1
3	107213	HARNESS MAIN TAG TRAILER HITCH	1
4	3-128-010032	ELECTRIC BRAKE, BREAK-AWAY KIT (107216)	1
	115928	SWITCH FOR P/N 3-128-010032	1
	123497	BATTERY FOR P/N 3-128-010032	1
5	3-273-010022	ELECTRIC BUTT SPLICE 12-10 W/ SEAL (107216)	10
6	239-9961	INSULATION OUTER WTR HTR (107216)	.25
7	1-203-010040-5	CONNECTOR INSULATED FEMALE PUSH-ON (107216)	2
8	30200Y	SEALED CLEARANCE YELLOW	4
9	30200R	SEALED CLEARANCE RED	7
10	106371	LIGHT TURN-TAIL-STOP W/ GROMMET	2
11	107212	HARNESS MAIN TAG TRAILER BED	1
12	107209	HARNESS REAR TAG TRAILER	1
13	15009	LICENSE LAMP	1
14	30700	GROMMET FOR 2 INCH LAMP	11
15	1-512-010007-05	NUT HEX 1/4-20	1
16	1-861-010034-09	WASHER SPLIT LOCK 1/4	1
17	3-201-010002	CONDUIT PLASTIC FLEX 3/8 (107216)	2
18	1-796-010003-02	TIE STRAP PLASTIC (NOT SHOWN)	10
19	1-656-010003055	SCREW ROUND HEAD MACHINE 10-24 X 1-1/4 (107216)	4
20	1-861-010032-07	WASHER FLAT 1/4	1
21	1-656-010003051	SCREW ROUND HEAD MACHINE 10-24 X 3/4	3
22	1-512-010007-03	NUT HEX 10-24	*7,5
23	1-861-010034-07	WASHER SPLIT LOCK #10	*7,5
24	1-861-010032-03	WASHER FLAT #10	*7,5
25	2552	GROMMET (107216)	1
	239-9076-5	CLAMP, WIRE 5/8 (109920)	2
26	1-343-010007	GROMMET	*2,1
27	1-343-010010	GROMMET (107216)	4

* THE FIRST QUANTITY USED ON P/N 107216 TRAILER W/ ELECTRIC BRAKES;
THE SECOND QUANTITY USED ON P/N 109920 TRAILER W/ SURGE BRAKES.

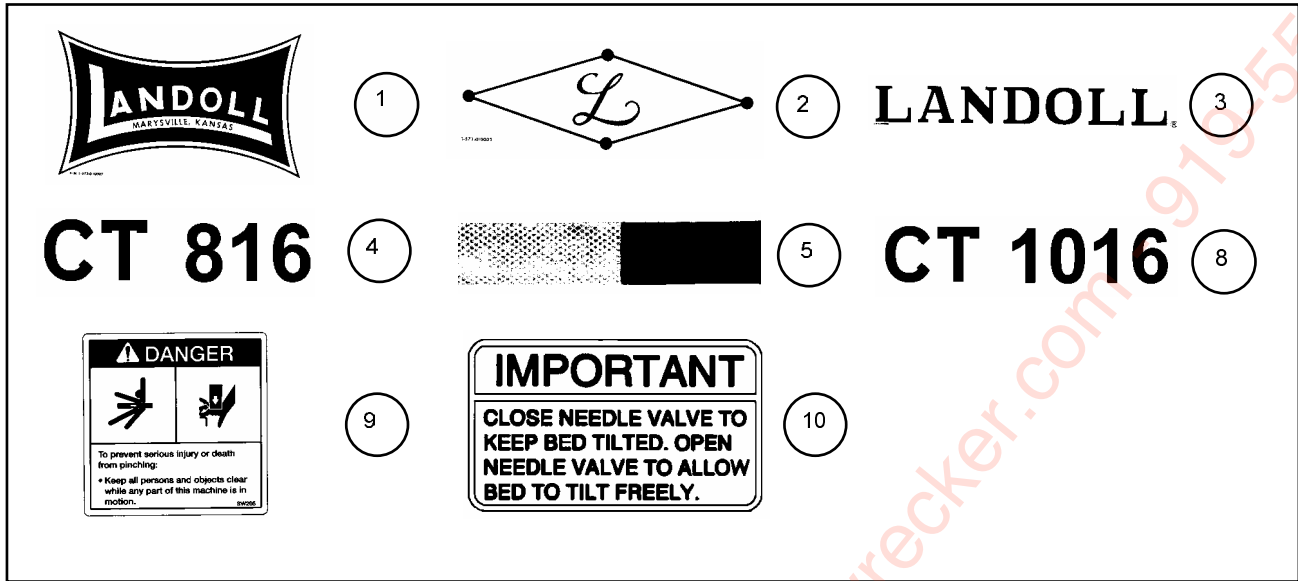


Figure 1-14 Decals

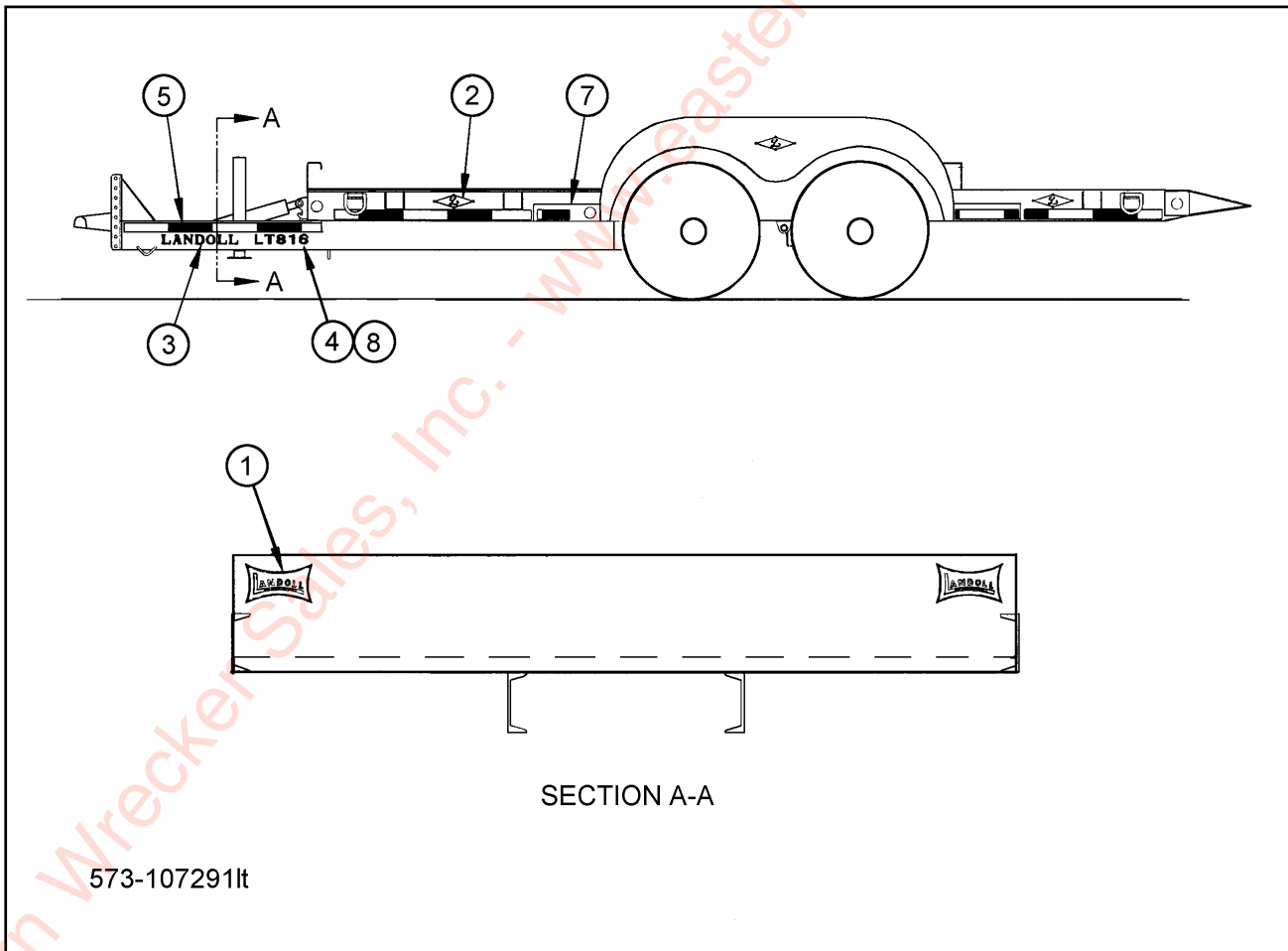


Figure 1-15 Decal Assembly

DECAL ASSEMBLY

ITEM	PART NO.	DESCRIPTION	QTY.
1	1-573-010007	DECAL LANDOLL (BLACK)	2
	1-573-010017	DECAL LANDOLL (WHITE)	2
2	1-573-010475	DECAL "L" (BLACK) DC	6
	1-573-010479	DECAL "L" (WHITE) DC	6
3	1-573-010477	DECAL LANDOLL (BLACK) DC	2
	1-573-010481	DECAL LANDOLL (WHITE) DC	2
4	107067	DECAL CT816 (BLACK)	2
	107293	DECAL CT816 (WHITE)	2
5	3-573-010377	DECAL 2" REFLEXITE TAPE	280"
7	106544	ANTISLIP TAPE BLACK 4" X 60' RLN	27.3"
8	107069	DECAL CT1016 (BLACK)	2
	107292	DECAL CT1016 (WHITE)	2
9	2-573-010335	DECAL, DANGER PINCHING	2
10	114910	DECAL, IMPORTANT BED TILT	1

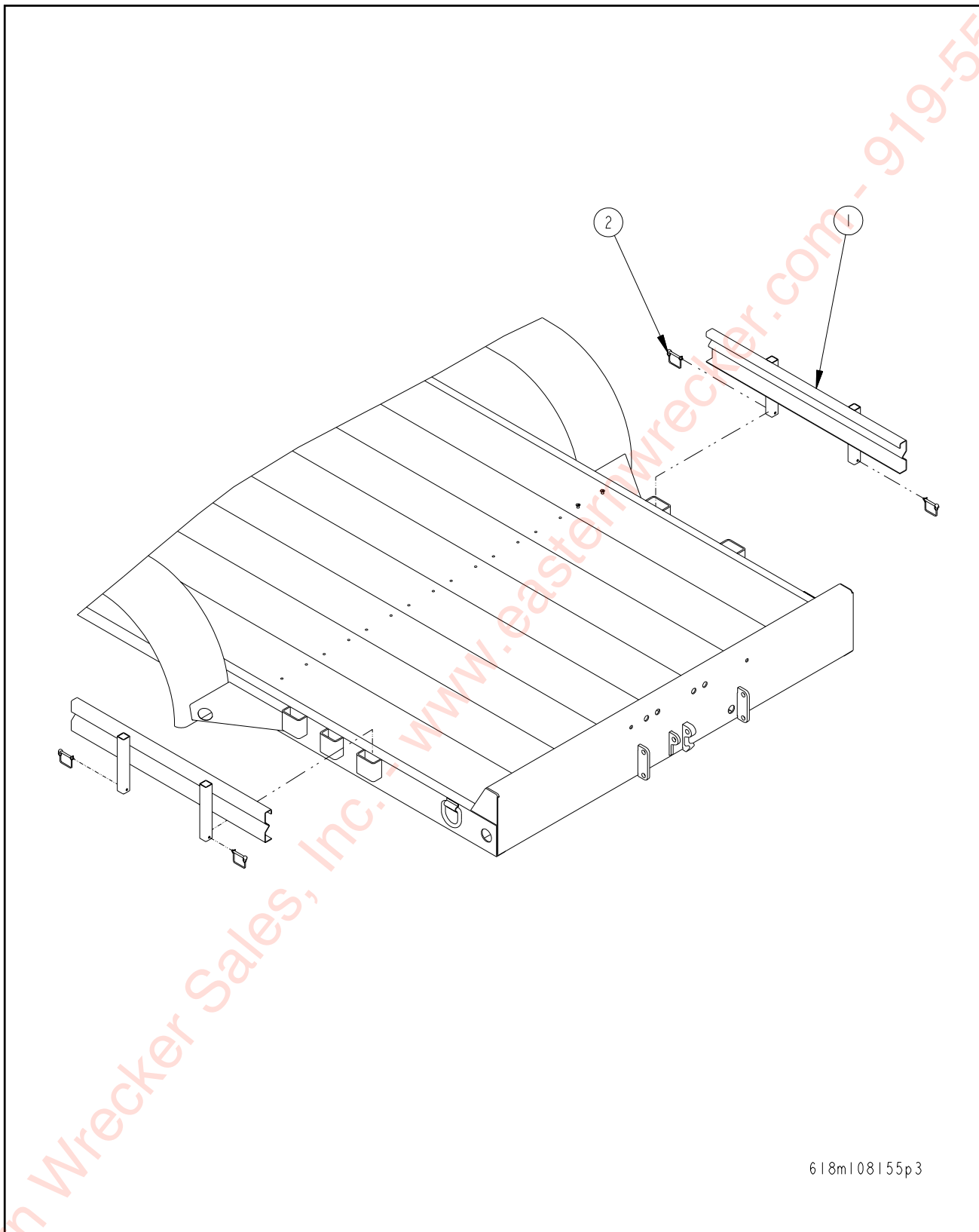


Figure 1-16 Siderail (Option)

SIDERAIL (OPTION)

ITEM	PART NO.	DESCRIPTION	QTY.
	108155	SIDERAIL ASSEMBLY CT TRAILER (PRIOR 1/20/99)	
	108431	SIDERAIL ASSEMBLY CT TRAILER (AFTER 1/20/99)	
1	108154	SIDERAIL WELDMENT CT TRAILER (PRIOR 1/20/99)	2
	108430	SIDERAIL WELDMENT CT TRAILER (AFTER 1/20/99)	2
2	516-22PTL	RETAINING PIN MUD FLAP	4

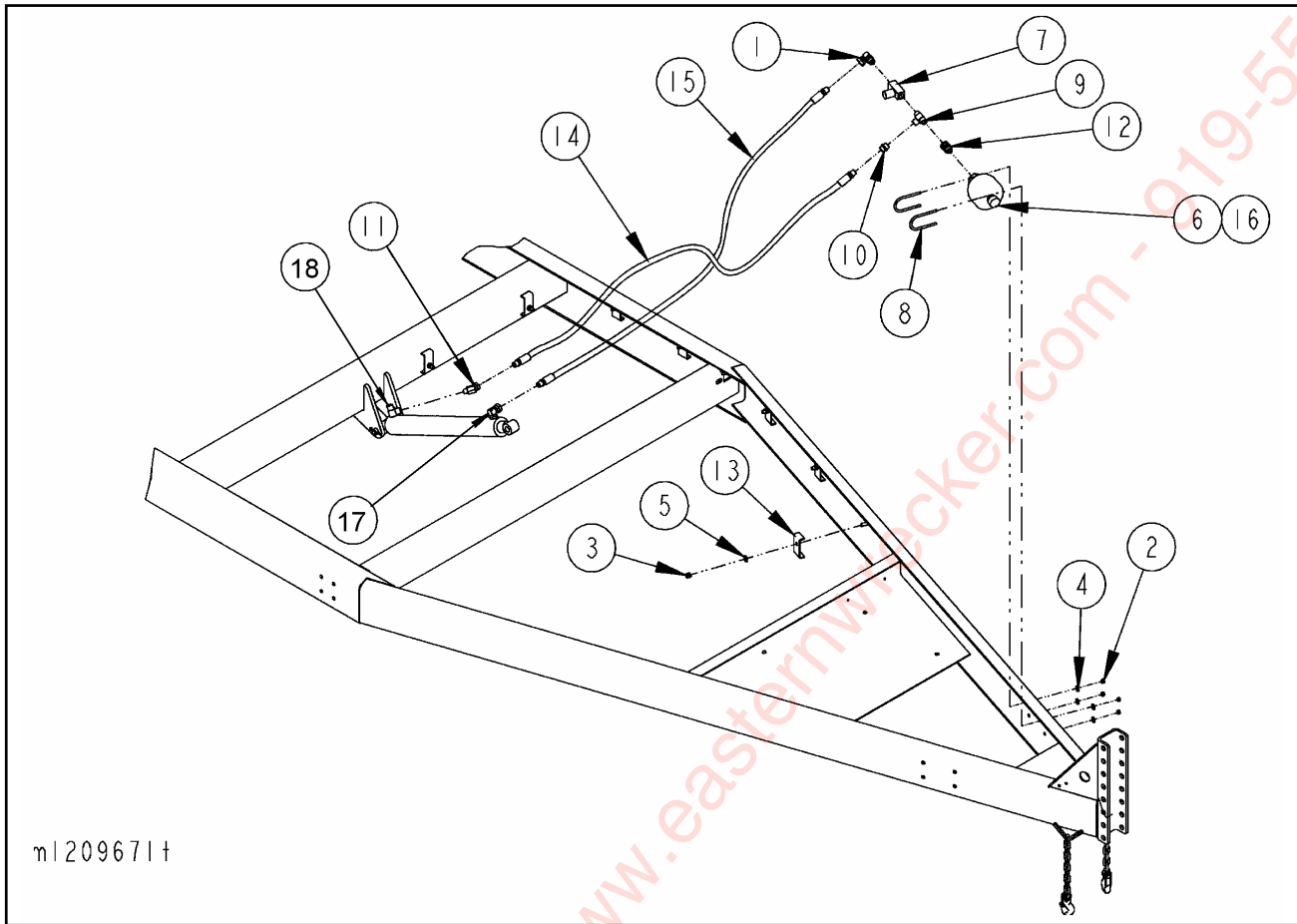


Figure 1-17 Tilt Lock Assembly (Option)
(Used on Model CT1016-4)

TILT LOCK ASSEMBLY (OPTION)

ITEM	PART NO.	DESCRIPTION	QTY.
	122858	TILT LOCK KIT	
1	1-007-010005	SWIVEL, 90 W/ RESTRICTOR	1
2	1-512-010005-01	NUT, HEX LOCK 1/4-20 GRB	4
3	1-512-010005-05	NUT, HEX LOCK 3/8-16 GRB	9
4	1-861-010032-07	WASHER, FLAT 1/4	4
5	1-861-010032-10	WASHER, FLAT 3/8	9
6	113509	RESERVOIR, 31 CU IN DIAPHRAGM	1
7	113524	VALVE, FLOW CONTROL	1
8	114085	U-BOLT 1/4-20 X 3-1/4	2
9	114833	TEE, 37° INT FLARE	1
10	2045-6-6S	ADAPTER	1
11	2049-6-6S	SWIVEL 45	1
12	2066-6-8S	ADAPTER 3/4-16	1
13	3-181-010008	BOTTOM HOSE CLAMP	9
14	3-397-010269	HOSE ASSEMBLY 3/8 X 164	1
15	3-397-010279154	HOSE ASSEMBLY 3/8 X 154	1
16	3-659-010013	SEAL NEOPRENE SPONGE	1
17	113893	ADAPTER 90	1
18	2092-6-6S	TEE	1

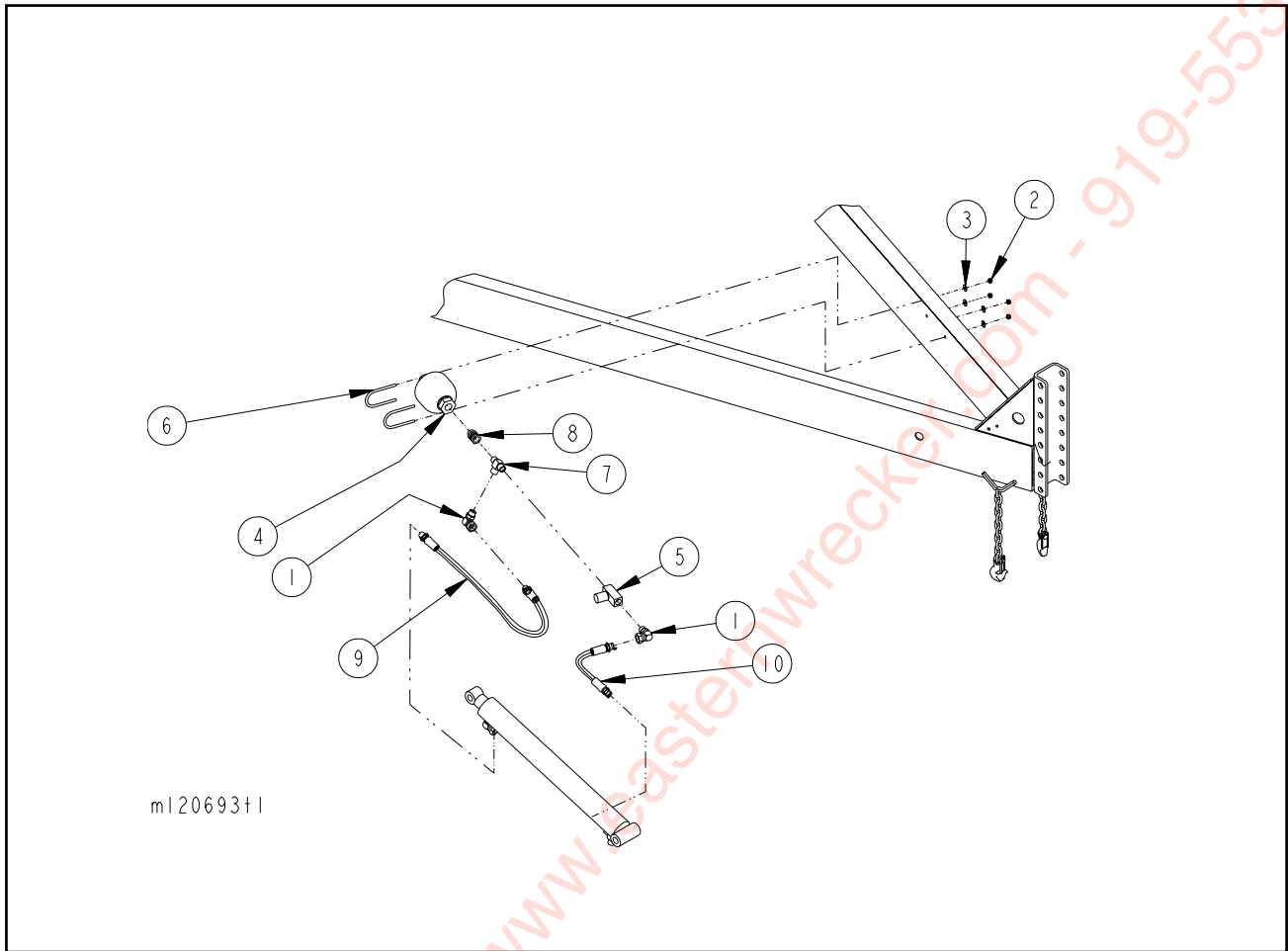


Figure 1-18 Tilt Lock Assembly (Option)
(Used on Models CT816 and CT1016)

TILT LOCK ASSEMBLY (OPTION)

ITEM	PART NO.	DESCRIPTION	QTY.
	122857	TILT LOCK KIT	
1	1-007-010005	SWIVEL, 90 W/ RESTRICTOR	1
2	1-512-010005-01	NUT, HEX LOCK 1/4-20 GRB	4
3	1-861-010032-07	WASHER, FLAT 1/4	4
4	113509	RESERVOIR, 31 CU IN DIAPHRAGM	1
5	113524	VALVE, FLOW CONTROL	1
6	114085	U-BOLT 1/4-20 X 3-1/4	2
7	114833	TEE, 37° INT FLARE	1
8	2066-6-8S	ADAPTER 3/4-16	1
9	3-397-010276	HOSE ASSEMBLY 3/8 X 29	1
10	3-397-010279-4	HOSE ASSEMBLY 3/8 X 10	1

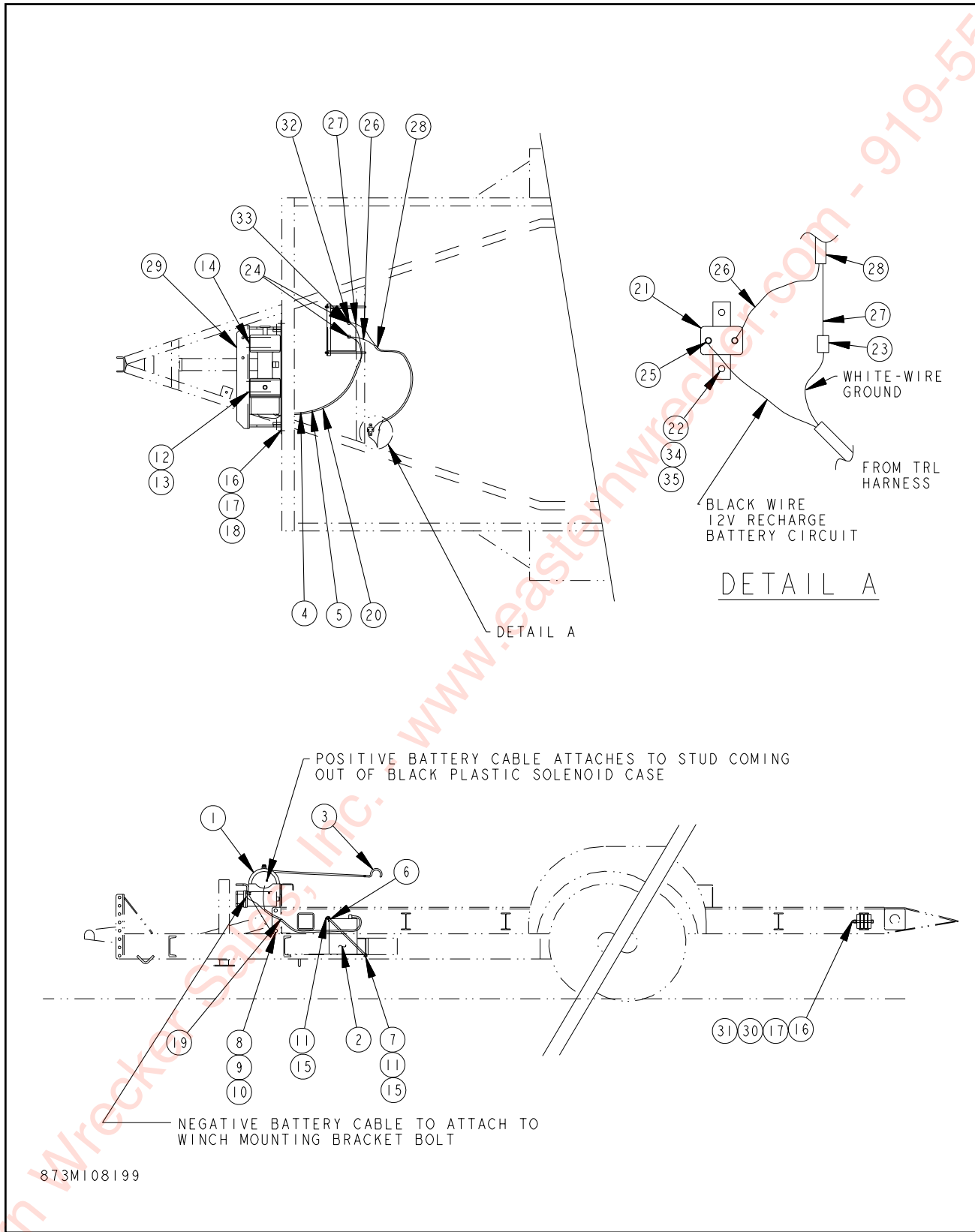


Figure 1-19 Winch Assembly (Option)

WINCH ASSEMBLY (OPTION)

ITEM	PART NO.	DESCRIPTION	QTY.
	108199	WINCH ASSEMBLY RAMSEY 8M - 12 VOLT DC	
1	108197	WINCH RAMSEY DCY - 200 (SEE PAGE 1-35)	1
2	108196	BATTERY 12 VOLT, DEEP CYCLE	1
3	3-155-010011	CABLE W/ THIMBLE 3/8	1
4	239-8113-66	CABLE ASSEMBLY, BATTERY NEGATIVE 66"	1
5	514-9045-66	CABLE ASSEMBLY, BATTERY POSITIVE 66"	1
6	3-120-010124	BATTERY CLAMP BRACKET	1
7	108198	ROD, THREADED 3/8-16 X 13-1/2	2
8	1-654-010032-05	SCREW HEX HEAD CAP 3/4-10 X 2 GR8	4
9	1-512-010005-05	NUT HEX LOCK 3/4-10 GRB	4
10	1-861-010032-20	WASHER FLAT 3/4N	4
11	1-512-010005-05	NUT HEX LOCK 3/8-16 GRB	4
12	1-654-010051-06	SCREW HEX HEAD CAP 3/8-16 X 1-1/4 GRB	8
13	1-861-010034-11	WASHER SPLIT LOCK 3/8B	8
14	3-684-010031	SHIM WINCH 8M	2
15	1-861-010032-11	WASHER FLAT 3/8W	4
16	1-861-010032-15	WASHER FLAT 1/2W	8
17	1-512-010005-09	NUT HEX LOCK 1/2-13 GRB	4
18	1-654-010055-02	SCREW HEX HEAD CAP 1/2-13 X 1-1/4 GR5	2
19	1-343-010007	GROMMET	1
20	43028	HOSE WRAP AEROQUIP 3/8	4FT
21	3-318-010006	CIRCUIT BREAKER 12V - 30AMP	1
22	1-656-010003051	SCREW ROUND HEAD MACHINE 10-24 X 3/4	2
23	3-272-010022	ELECTRIC BUTT SPLICE 12-10 W/ SEAL	1
24	32005	TERMINAL 12-10GA W/ 3/8 RING WAY	2
25	32003	TERMINAL 12-10GA W/ 1/4 RING WAY	2
26	1-879-010014	WIRE, BLACK 12GA AWG	3FT
27	1-879-010009	WIRE, WHITE 10AWG	3FT
28	3-201-010002	CONDUIT PLASTIC FLEX 3/8	3FT
29	108194	BRACKET WELDMENT WINCH 8M - 12V	1
30	108195	BAR, WINCH COUNTERWEIGHT	4
31	1-654-010055-14	SCREW HEX HEAD CAP 1/2-13 X 4-1/2 GR5	2
32	1-796-010003-02	TIE STRAP PLASTIC (NOT SHOWN)	5
33	1-822-010003	TRIM-LOK	1FT
34	1-512-010007-03	NUT HEX 10-24	2
35	1-861-010034-07	WASHER SPLIT LOCK #10	2

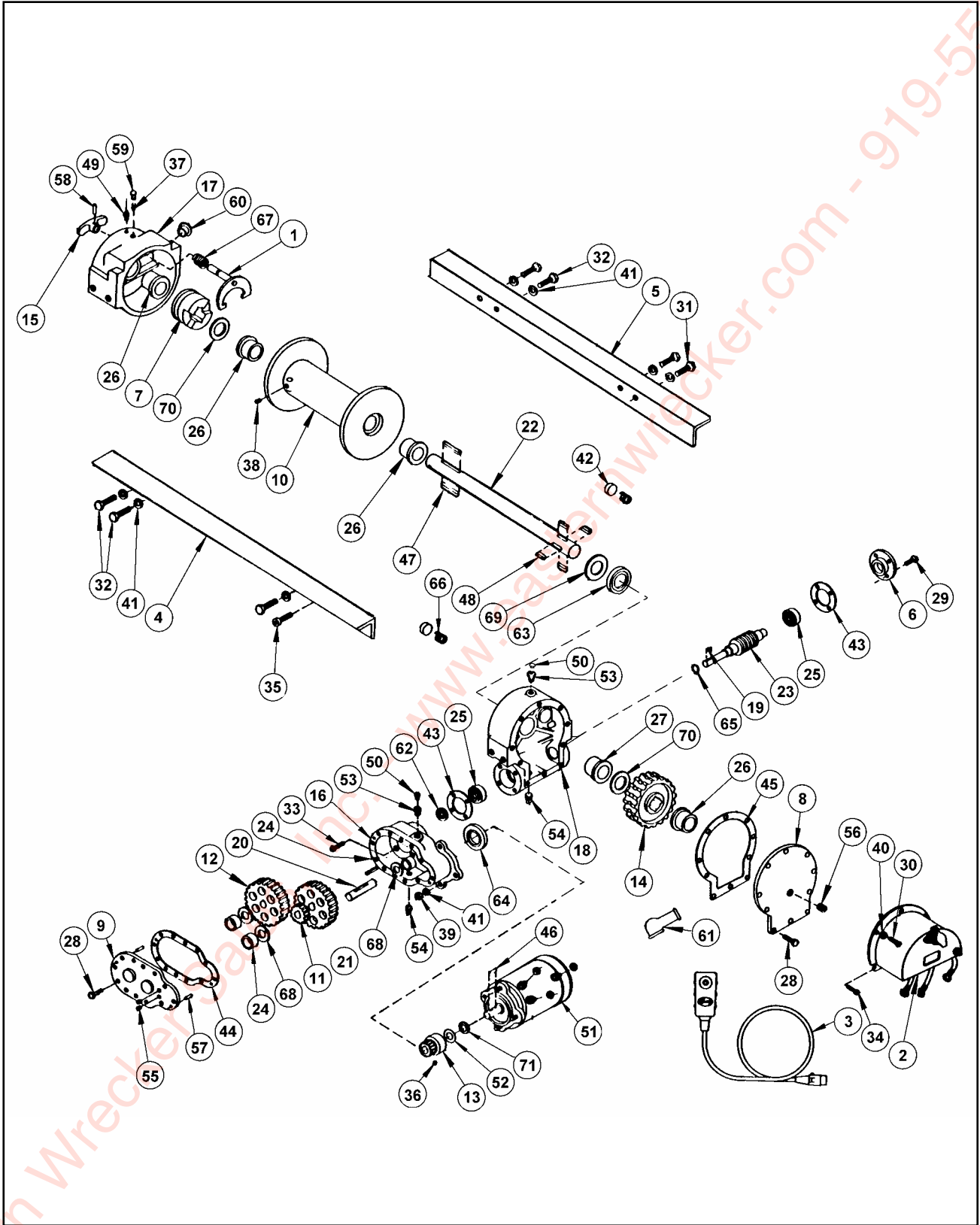


Figure 1-20 Winch Assembly

WINCH ASSEMBLY (OPTION)

ITEM	PART NO.	DESCRIPTION	QTY.
	108197	WINCH RAMSEY DCY - 200	
1	276028	SHIFTER ASSEMBLY	1
2	278027	SOLENOID ASSEMBLY - 12V	1
3	110777	SWITCH ASSEMBLY	1
4	302811	ANGLE	1
5	302810	ANGLE	1
6	316083	CAP - BEARING	1
7	324160	JAW CLUTCH	1
8	328134	COVER - WORM GEAR HOUSING	1
9	328106	COVER - SPUR GEAR HOUSING	1
10	332007	DRUM	1
11	334001	IDLER GEAR	1
12	334003	GEAR	2
13	334129	PINION	1
14	334161	GEAR RH 60:1	1
15	336010	HANDLE	1
16	338203	HOUSING - SPUR GEAR	1
17	338208	HOUSING - CLUTCH	1
18	338273	HOUSING - GEAR	1
19	342023	KEY - SQUARE	1
20	342033	KEY - SQUARE	1
21	356901	SHAFT - SPUR	1
22	357480	SHAFT - DRUM	1
23	368001	WORM - RH 60:1	1
24	402001	BEARING - NEEDLE	3
25	402002	BEARING - BALL	2
26	412003	BUSHING	4
27	412045	BUSHING	1
28	414038	CAPSCREW, 1/4-20 X 3/4 GR5	17
29	414045	CAPSCREW, 1/4-20 X 7/8 GR5	4
30	414059	CAPSCREW, 1/4-20 X 1 GR5	3
31	414279	CAPSCREW, 3/8-16 X 3/4 GR5	1
32	414282	CAPSCREW, 3/8-16 X 1-1/4 GR5	6
33	414845	CAPSCREW, SOC. HEAD 1/4-20 X 1 GR5	4
34	414856	CAPSCREW, SOC. HEAD 1/4-20 X 3/4	2
35	414912	CAPSCREW, SOC. HEAD 3/8-16 X 5/8	1
36	416029	SETSCREW, SOC. HEAD 1/4-20 X 5/16	1
37	416030	SETSCREW, SOC. HEAD 1/4-20 X 3/8	1
38	416059	SETSCREW, SOC. HEAD 3/8-16 X 1/2	1
39	418040	NUT, HEX 3/8-24	3
40	418154	WASHER, FLAT ALUM 1/4	3
41	418177	LOCKWASHER MED SECT 3/8	10
42	438014	DRAG BRAKE	2
43	442184	GASKET	2
44	442185	GASKET	1
45	442205	GASKET	1
46	450001	KEY	1
47	450006	KEY	2
48	450016	KEY	4
49	456001	LUB FITTING	1

WINCH ASSEMBLY (OPTION)

ITEM	PART NO.	DESCRIPTION	QTY.
50	456008	RELIEF FITTING	2
51	458001	MOTOR - 12V	1
52	462015	O-RING	1
53	468002	REDUCER	2
54	468011	PIPE PLUG SQ HEAD	2
55	468017	PIPE PLUG SOC. HEAD	2
56	468018	PIPE PLUG SOC. HEAD	1
57	470001	PIN	2
58	470033	SPIROL PIN	1
59	472012	PLUG	1
60	472013	PLUG	1
61	482013	RUBBER BOOT	1
62	486009	OIL SEAL	1
63	486017	OIL SEAL	1
64	486023	OIL SEAL	1
65	490003	SNAP RING	1
66	494002	SPRING	2
67	494053	SPRING	1
68	518002	THRUST WASHER	3
69	518014	THRUST WASHER	1
70	518015	THRUST WASHER	2
71	518018	FIBER WASHER	1
	246039	GASKET AND SEAL KIT	

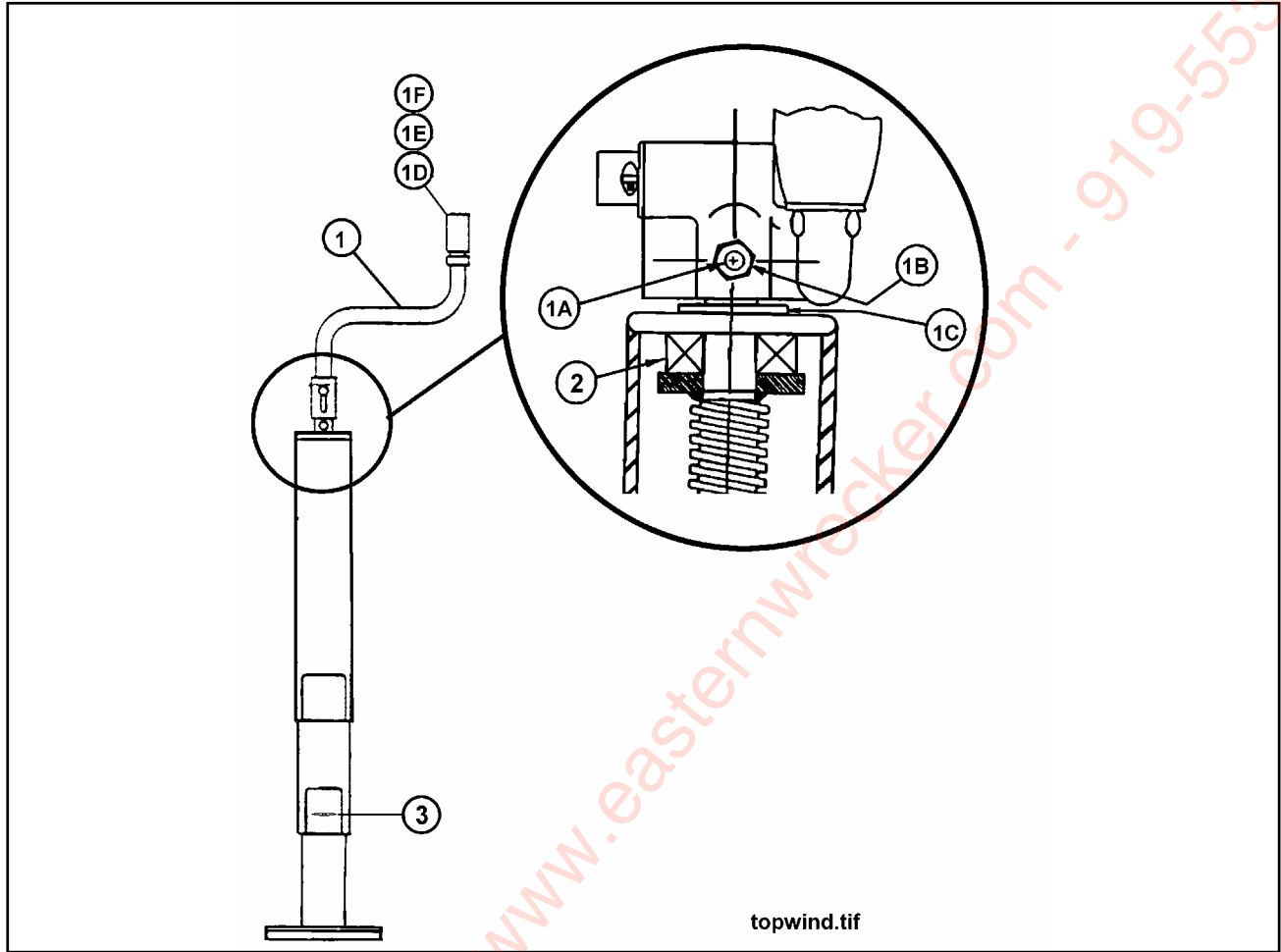


Figure 1-21 Jack Stand Assembly

JACK STAND ASSEMBLY

ITEM	PART NO.	DESCRIPTION	QTY.
	106386	JACK 7000 LB. TOP CRANK DROP LEG 15IN LIFT	
1	108677	CRANK ASSEMBLY 7K, (HAMMERBLOW P/N 190500) (INCLUDES ITEMS 1A THRU 1F)	1
1A	002006	5/16 X 1-1/2 PLATED GRADE 5 HEX HEAD BOLT	1
1B	008012	5/16 PLATED LOCK NUT	1
1C	016015	3/4 PLATED O.D. WASHER	1
1D	007001	BLACK PLASTIC HANDLE	1
1E	015900	1/2 PLATED PALNUT	1
1F	015912	1/2 PLATED I.D X 7/8 O.D. WASHER	1
2	108678	JACK, BEARING KIT 7K, (HAMMERBLOW P/N 700634) INCLUDES THE FOLLOWING ITEMS: BEARING THRUST BEARING INSERT BUSHING	1
3	700263	9/16 PLATED DROP LEG PULL PIN ASSEMBLY	1

NOTES:

Eastern Wrecker Sales, Inc. - www.easternwrecker.com - 919-553-4038

NUMERICAL INDEX

2

PART	PAGE	PART	PAGE	PART	PAGE
00057	21	008-201-09	15	031-029-02	15
002006	37	008-213-09	11	031-030-01	11
005-004-00	11	008-213-09	15	031-030-01	13
005-004-00	13	008-219-04	13	031-030-01	15
005-004-00	15	008-219-04	17	031-030-01	17
005-004-00	17	008-231-09	13	031-030-02	11
005-023-00	11	008-231-09	17	031-030-02	13
005-023-00	15	010-036-00	11	031-030-02	15
005-057-00	13	010-036-00	13	031-030-02	17
005-057-00	17	010-036-00	15	03404	21
005-064-00	15	010-036-00	17	03409	21
005-064-00	17	01076	21	03410	21
005-067-00	11	015900	37	03411	21
005-067-00	13	015912	37	03412	21
005-101-00	11	016015	37	03522	21
005-101-00	13	020700170	23	03523	21
005-101-00	15	021-042-01	11	03534	21
005-101-00	17	021-042-01	13	036-089-05	11
006-001-00	11	021-042-01	15	036-089-05	13
006-001-00	13	021-042-01	17	036-093-08	15
006-001-00	15	02206	21	036-093-08	17
006-001-00	17	023-326-00	11	037-069-01	15
006-010-00	11	023-326-00	13	037-069-01	17
006-010-00	13	023-327-00	11	03757	21
006-010-00	15	023-327-00	13	03866	21
006-010-00	17	023-342-00	15	03876	21
006-011-01	15	023-342-00	17	040-244-01	15
006-011-01	17	023-343-00	15	040-244-01	17
006-080-00	11	023-343-00	17	043-004-00	11
006-080-00	13	02363	21	043-004-00	13
006-080-00	15	02434	21	043-028-00	15
006-080-00	17	02587	21	043-028-00	17
007001	37	027-005-00	11	046-007-00	11
007-122-00	11	027-005-00	13	046-007-00	13
007-122-00	13	031-017-01	13	046-007-00	15
007-122-00	15	031-017-01	17	046-007-00	17
007-122-00	17	031-017-02	13	046-009-00	11
007-210-00	15	031-017-02	17	046-009-00	13
007-210-00	17	031-029-01	11	046-016-00	11
008012	37	031-029-01	15	046-016-00	13
008-201-09	11	031-029-02	11	046-018-00	11

PART	PAGE	PART	PAGE	PART	PAGE
046-018-00	13	10527	19	107293	27
046-101-00	15	10541	19	107479	03
046-101-00	17	10552	19	107479	05
046-107-01	15	10553	19	107515	09
046-107-01	17	10555	19	107955	03
046-108-01	15	105579	05	107955	05
046-108-01	17	10582	19	108154	29
046-123-00	15	106357	03	108155	29
046-123-00	17	106358	03	108162	03
047-107-00	11	106358	05	108162	05
047-107-00	13	106371	25	108163	03
047-108-00	11	106386	03	108163	05
047-108-00	13	106386	05	108194	33
054-060-00	15	106386	37	108195	03
054-060-00	17	106544	27	108195	33
054-064-00	15	107035	03	108196	33
054-064-00	17	107035	05	108197	33
054-065-00	15	107067	27	108197	35
054-065-00	17	107069	27	108198	33
05408	21	107104	03	108199	33
05424	21	107104	11	108303	03
05680	21	107106	03	108303	05
05681	21	107106	05	108430	29
05687	21	107107	03	108431	29
05693	21	107111	03	108677	37
05951	21	107111	05	108678	37
05961	21	107115	03	109597	05
061300046	23	107115	13	109597	17
071300016	23	107116	03	109879	19
081300356	23	107116	05	109879	21
085-001-00	11	107133	03	109884	05
085-001-00	13	107133	05	109920	25
085-001-00	15	107144	03	109956	07
085-001-00	17	107144	05	109968	07
087-001-00	15	107208	25	109969	07
087-001-00	17	107209	25	109970	07
09671	21	107212	25	109971	07
1-007-010005	03	107213	25	109972	07
1-007-010005	05	107216	25	110731	19
1-007-010005	30	107229	03	110777	35
1-007-010005	31	107229	05	111333	05
10405	19	107229	23	111333	15
105-0093	01	107267	09	111334	07
10526	19	107292	27	1-116-010019	01

PART	PAGE	PART	PAGE	PART	PAGE
113479	05	1-512-010005-01	31	1-861-010032-03	05
113509	30	1-512-010005-05	30	1-861-010032-03	25
113509	31	1-512-010005-05	33	1-861-010032-07	25
113524	30	1-512-010005-05	33	1-861-010032-07	30
113524	31	1-512-010005-09	03	1-861-010032-07	31
113893	30	1-512-010005-09	05	1-861-010032-10	30
114085	30	1-512-010005-09	33	1-861-010032-11	33
114085	31	1-512-010005-13	03	1-861-010032-15	03
114833	30	1-512-010005-13	05	1-861-010032-15	05
114833	31	1-512-010007-03	25	1-861-010032-15	33
114910	27	1-512-010007-03	33	1-861-010032-19	03
115801	09	1-512-010007-05	25	1-861-010032-19	05
115928	25	15563	19	1-861-010032-20	33
1-203-010040-5	25	1-557-010362-51	03	1-861-010034-07	25
120402	03	1-557-010362-51	05	1-861-010034-07	33
120515	03	1-573-010007	27	1-861-010034-09	25
120515	05	1-573-010017	27	1-861-010034-11	03
120525	03	1-573-010475	27	1-861-010034-11	05
120525	05	1-573-010477	27	1-861-010034-11	33
120526	03	1-573-010479	27	1-879-010009	33
120563	03	1-573-010481	27	1-879-010014	33
120563	05	16019	19	200018002	23
120698	05	1-654-010032-05	33	2045-6-6S	30
12099	19	1-654-010051-05	03	2049-6-6S	30
122857	31	1-654-010051-05	05	2066-6-8S	30
122858	30	1-654-010051-06	33	2066-6-8S	31
122962	03	1-654-010055-02	33	2092-6-6S	03
122962	05	1-654-010055-03	03	2092-6-6S	05
123497	25	1-654-010055-03	05	2092-6-6S	30
123514	21	1-654-010055-05	03	220000208	23
123515	21	1-654-010055-05	05	230001250	23
12489	19	1-654-010055-07	03	23458	19
12503	19	1-654-010055-14	33	23744	19
12552	19	1-654-010059-03	03	23745	19
1-343-010007	25	1-654-010059-03	05	239-8113-66	33
1-343-010007	33	1-656-010003051	05	239-9076-1	05
1-343-010010	25	1-656-010003051	25	239-9076-5	25
1449-01	19	1-656-010003051	33	239-9961	25
15009	25	1-656-010003055	25	240000018	23
15070	19	17349	19	240000330	23
1-512-010002-13	03	1-796-010003-02	07	240004004	23
1-512-010002-13	05	1-796-010003-02	25	240034330	23
1-512-010003-06	05	1-796-010003-02	33	240037106	23
1-512-010005-01	30	1-822-010003	33	240061330	23

PART	PAGE	PART	PAGE	PART	PAGE
246039	36	3-375-010624	21	442184	35
250001220	23	3-375-010625	03	442185	35
2552	25	3-375-010625	05	442205	35
2-573-010335	27	3-375-010625	19	450001	35
270010002	23	3-375-010625	21	450006	35
270010017	23	338203	35	450016	35
276028	35	338208	35	456001	35
278027	35	338273	35	456008	36
30200R	25	3-397-010269	30	458001	36
30200Y	25	3-397-010276	31	462015	36
302810	35	3-397-010279154	30	468002	36
302811	35	3-397-010279-4	31	468011	36
30700	25	342023	35	468017	36
3-120-010124	33	342033	35	468018	36
3-128-010032	25	3-475-010002	01	470001	36
3-128-010036	03	3-557-010052	03	470033	36
3-155-010011	33	3-557-010052	05	472012	36
3-158-010004	07	356901	35	472013	36
3-158-010015	07	3-573-010377	27	482013	36
316083	35	357480	35	486009	36
3-174-010018048	05	3-654-010129-1	09	486017	36
3-181-010008	30	3-659-010013	30	486023	36
3-187-010018	07	368001	35	490003	36
32003	33	3-684-010031	33	494002	36
32005	33	402001	35	494053	36
3-201-010002	25	402002	35	514-9045-66	33
3-201-010002	33	412003	35	516-22PTL	29
3-203-010026	25	412045	35	518002	36
324160	35	414038	35	518014	36
3-272-010022	33	414045	35	518015	36
3-273-010022	25	414059	35	518018	36
328106	35	414279	35	700263	37
328134	35	414282	35	7745	19
3-318-010006	33	414845	35	7768	19
332007	35	414856	35	7784	19
3328	19	414912	35	7937	19
334001	35	416029	35	7938	19
334003	35	416030	35	7948	19
334129	35	416059	35	7949	19
334161	35	418040	35	7971	19
336010	35	418154	35	7976	19
3-375-010624	03	418177	35	7985	19
3-375-010624	05	43028	33	7994	19
3-375-010624	19	438014	35	7997	19

PART	PAGE
8271	19
8284	19
8288	19
8289	19
8291	19
8294	19
8295	19
8297	19
8298	19
8301	19
8388	19
8389	19
9093	19
F-283	01
K71-105-00	11
K71-105-00	13
K71-127-00	11
K71-127-00	13
K71-394-00	15
K71-394-00	17
K71-395-00	15
K71-395-00	17
PMCK-5400	23
RWD39000	09
RWD39013	09
RWD39017	09
SB10555	21
SB12098	21
SB12426	21
TR416	03
TR416	03
TR416	05
TR416	05

Eastern Wrecker Sales, Inc. - www.easternwrecker.com - 919-553-4038